

# User's Manual

## **CITIZEN**

### **SERIAL THERMAL PRINTER**

#### **MODEL iDP3310**

Japan CBM Corporation

## IMPORTANT SAFETY INSTRUCTIONS

- Read all of these instructions and save them for future reference.
- Follow all warnings and instructions marked on the product.
- Unplug this product from the wall outlet before cleaning. Do not use liquid or aerosol cleaners. Use a damp cloth for cleaning.
- Do not use this product near water.
- Do not place this product on an unstable cart, stand or table. The product may fall, causing serious damage to the product.
- Slots and openings on the back or bottom of the case are provided for ventilation. To ensure reliable operation of the product and to protect it from overheating, do not block or cover these openings. The openings should never be blocked by placing the product on a bed, sofa, rug or other similar surface. This product should never be placed near or over a radiator or heater. This product should not be placed in a built-in installation unless proper ventilation is provided.
- This product should be operated from the type of power source indicated on the marking label. If you are not sure of the type of power available, consult your dealer or local power company.
- Do not allow anything to rest on the power cord. Do not place this product where the cord will be walked on.
- If an extension cord is used with this product, make sure that the total of the ampere ratings of the products plugged into the extension cord does not exceed the extension cord ampere rating. Also, make sure that the total of all products plugged into the wall outlet does not exceed 15 amperes.
- Never push objects of any kind into this product through cabinet slots as they may touch dangerous voltage points or short out parts that could result in a risk of fire or electric shock. Never spill liquid of any kind on the product.
- Except as explained elsewhere in this manual, do not attempt to service this product by yourself. Opening and removing the covers that are marked "Do Not Remove" may expose you to dangerous voltage points or other risks. Refer all servicing on those compartments to service personnel.
- Unplug this product from the wall outlet and refer servicing to qualified service personnel under the following conditions:
  - A. When the power cord or plug is damaged or frayed.
  - B. If liquid has been spilled into the product.
  - C. If the product has been exposed to rain or water.
  - D. If the product does not operate normally when the operating instructions are followed. Adjust only those controls that are covered by the operating instructions since improper adjustment of other controls may result in damage and will often require extensive work by a qualified technician to restore the product to normal operation.
  - E. If the product has been dropped or the cabinet has been damaged.
  - F. If the product exhibits a distinct change in performance, indicating a need for service.
- Please keep the poly bag which this equipment is packed in away from children or throw it away to prevent children from putting it on. Putting it on may cause suffocation.

## WICHTIGE SICHERHEITSANWEISUNGEN

- Lesen Sie die nachfolgenden Anweisungen sorgfältig durch und bewahren Sie sie auf.
- Befolgen Sie alle auf dem Drucker vermerkten Hinweise und Anweisungen. Vor dem Reinigen grundsätzlich Stecker aus der Steckdose ziehen. Keine Flüssigkeiten oder Aerosolreiniger benutzen. Nur mit einem feuchten Tuch abwischen.
- Der Drucker darf nicht in der Nähe von Wasser aufgestellt werden.
- Drucker nicht auf einem unstabilen Wagen, Stand oder Tisch aufstellen. Der Drucker könnte herunterfallen und dabei beschädigt werden.
- Schlitze und Öffnungen im Gehäuse, in der Rückwand und im Boden dienen der Belüftung. Sie dürfen keinesfalls zugedeckt oder blockiert werden, da sich der Drucker sonst überhitzt. Drucker nicht auf ein Bett, Sofa, Teppich oder dergleichen stellen. Drucker nicht in der Nähe eines Heizkörpers aufstellen. Drucker darf nicht eingebaut werden, falls nicht für ausreichende Belüftung gesorgt ist.
- Drucker nur mit der auf dem Typschild angegebenen Spannung betreiben. Wenn Sie sich nicht sicher sind, fragen Sie Ihren Händler oder Ihr zuständiges Elektrizitätswerk.
- Nichts auf das Stromanschlußkabel stellen. Kabel muß so verlegt werden, daß man nicht darauftreten kann.
- Ein etwaiges Verlängerungskabel muß der Stromstärke aller daran angeschlossenen Geräte entsprechen.
- Keine Gegenstände in die Gehäuseschlitze schieben.
- Drucker darf nur da gewartet werden, wo im Handbuch angegeben, Öffnen und. Abnehmen von Abdeckungen, die mit "Do not remove" gekennzeichnet sind, könnte gefährliche spannungsführende Stellen oder sonstige Gefahrenpunkte freilegen. Die Wartung solcher Stellen darf grundsätzlich nur von besonders ausgebildetem Fachpersonal vorgenommen werden.
  - A. Wenn das Stromanschlußkabel oder der Stecker beschädigt oder durch-gescheuert ist.
  - B. Wenn Flüssigkeit auf dem Drucker verschüttet wurde.
  - C. Wenn der Drucker im Regen gestanden hat oder Wasser darauf verschüttet wurde.
  - D. Wenn der Drucker trotz genauer Befolgung der Betriebsvorschriften nicht richtig arbeitet. Nur die in der Bedienungsanleitung angegebenen Einstellungen vornehmen. Ein Verstellen anderer Bedienungselemente könnte den Drucker beschädigen und macht umständliche Arbeiten eines qualifizierten Technikers erforderlich, um den Drucker wieder auf den normalen Betrieb einzustellen.
  - E. Wenn der Drucker heruntergefallen ist oder das Gehäuse beschädigt wurde.
  - F. Wenn der Drucker in seiner Leistung nachläßt.
- Bitte halten Sie den Kunststoffbeutel, in den die Ware verpackt ist, von Kindern entfernt, oder werfen Sie ihn weg, damit er nicht in die Hände von Kindern gerät. Das Überstülpen des Beutels kann zum Ersticken führen.

**Lärmemission kleiner 70dBA**

**IMPORTANT:** This equipment generates, uses, and can radiate radio frequency energy and if not installed and used in accordance with the instruction manual, may cause interference to radio communications. It has been tested and found to comply with the limits for a Class A computing device pursuant to Subpart J of Part 15 of FCC Rules, which are designed to provide reasonable protection against such interference when operated in a commercial environment. Operation of this equipment in a residential area is likely to cause interference, in which case the user at his own expense will be required to take whatever measures may be necessary to correct the interference.

**CAUTION: Use shielded cable for this equipment.**

### **Sicherheitshinweis**

Die Steckdose zum Anschluß dieses Druckers muß nahe dem Gerät angebracht und leicht zugänglich sein.

### **For Uses in Canada**

This digital apparatus does not exceed the class A limits for radio noise emissions from digital, apparatus, as set out in the radio interference regulations of the Canadian department of communications.

### **Pour L'utilisateurs Canadiens**

Cet appareil numérique ne dépasse pas les limites de catégorie A pour les émissions de bruit radio émanant d'appareils numériques, tel que prévu dans les règlements sur l'interférence radio du département Canadien des communications.

## <CAUTIONS>

1. Before using the equipment, be sure to read this User's manual thoroughly. Please keep handy to refer to when needed.
2. Portions of the contents of this User's manual may be changed without prior notice.
3. The reproduction of parts or all of the contents of this User's manual without permission is strictly forbidden.
4. Absolutely do not carry out maintenance, disassembly, or repair of parts that are not specified in this User's manual.
5. Note that losses which may be attributed to the user's wrong operation method or operating environment will be outside the responsibility of this company.
6. Do not carry out operations other than those explained in this User's manual, since doing so may become a cause of accidents or breakdowns.
7. Because data is basically transient, long-period and permanent storage of data will not be possible. Please note in advance that this company will not be responsible in any way for losses or lost profits caused through the clearing of the data due to breakdowns, repairs, investigations, etc.
8. If any questionable points, mistakes, omitted explanations, etc. are found in the contents of this manual, please contact this company.
9. Please note that notwithstanding the conditions in above 8, this company will not be responsible for the consequences of results obtained through operation of this equipment.

## SAFETY PRECAUTIONS ----- BE SURE TO OBSERVE

In order to prevent hazards to an operator or other persons and damage to property, be sure to observe the following precautions.

- The following describes the degrees of hazard and damages that can occur if the given instructions are neglected or the equipment is incorrectly operated.

**WARNING**

Negligence of this precaution may result in death or serious injury.

**CAUTION**

Negligence of this precaution may result in injury or damage to property.



This is an illustration mark used to alert your attention.



This is an illustration mark used to indicate such information as an instruction or the like.

 **WARNING**

- Never handle the equipment in the following manners, as it may break, become out of order, or overheat causing smoke and resulting in fire or electric shock.  
If the equipment is used in an abnormal condition, such as when broken, then problems, smoke emission, abnormal odor/noise, and fire can result. If an abnormal condition exists, be sure to turn off the power, disconnect the power plug from a plug socket, and contact our dealer. Never repair the equipment on your own - it is very dangerous.
- Do not allow the equipment to receive a strong impact or shock, such as kicking, stomping, hitting, dropping, and the like.
- Install the equipment in a well-ventilated place. Do not use it in such a manner that its ventilation port will be blocked.
- Do not install the equipment in a place like a laboratory where chemical reactions are expected, or in a place where salt or gases are contained in the air.
- Do not connect/disconnect a power cord or a data cable, while holding the cable. Do not pull, install, use, or carry the equipment in such a manner that force will be applied to the cables.
- Do not drop or insert any foreign substances, such as clips or pins, into the equipment.
- Do not spill any liquid or spray any chemical-containing liquid over the equipment. If any liquid is spilled on it, turn off the power, disconnect the power cable and power cord from the plug socket, and so on, and contact our dealer.
- Do not disassemble or remodel the equipment. Negligence of this may cause fire or electric shock.
- Should you drop or break this AC adapter by any chance, unplug it immediately and contact our office. Using it in that condition may result in fire or electric shock.
- Should water enter inside the equipment by any chance, unplug it and contact our office. Using it in that condition may result in fire or electric shock.
- Use the equipment only with the specified commercial power supply. Negligence of this may result in fire, electric shock, or problems.
- Do not damage, break, process, bend/pull by force, twist, or bundle an AC adapter cord. Also, do not put a heavy substance on it or heat it. The AC adapter could be broken, resulting in fire, electric shock, or trouble. If the AC adapter cord is damaged, contact our office.
- Do not connect/disconnect the AC adapter with wet hands. It may result in electric shock or other problems.
- Do not overload a single electrical outlet, using a table tap or a current tap socket. It may result in fire or electric shock.
- An equipment packing bag must be discarded or kept away from children. A child can suffocate if the bag is placed over the head.



## PRECAUTIONS FOR INSTALLATION

- Do not use or store the equipment in a place exposed to fire, moisture, or direct sunlight, or in a place near a heater or a thermal device where the prescribed operating temperature and humidity are not met, or in a place exposed to much oil, iron powder, or dust. The equipment may become out of order, emit smoke, or catch fire.
- Do not install the equipment in a place like a laboratory where chemical reactions are expected, or in a place where salt or gases are contained in the air. There is a danger of fire or electric shock.
- Do not put any object on the printer. It may cause trouble.
- Do not use the equipment near a radio or TV receiver. Do not share the power from a plug socket a radio or TV receiver is connected to. It may cause a reception problem.
- Use the equipment only at the specified voltage and frequency. Otherwise, it may emit smoke and catch fire or cause other problems.
- Confirm that a plug socket used for connection has sufficient capacity.
- Do not overload a single electrical outlet in connecting the power cable. It may result in the cable catching fire or a power outage. Also, do not stamp or put any object on the cable.
- Never connect a grounding cable to a gas pipe. There is a danger of explosion. When connecting or disconnecting the grounding cable, be sure to disconnect the power plug from the plug socket.
- When connecting/disconnecting the cables, be sure to turn off the power first, including the connected side, and then connect/disconnect them, holding a plug and a connector. Do not pull or carry the equipment with a load applied to the cable.
- Connect a connector cable securely. If a reverse-polarity connection is made, internal elements may be broken or a mating device may be adversely affected.
- Use a shielding wire or twisted pair wire for a signal line, in order to minimize noise effect. Avoid connecting to a device that is likely to generate noise.
- When a drawer kick connector is provided, do not connect any device other than the prescribed solenoid specifications. Negligence of this could cause trouble.
- Use the equipment in an environment where there is a plug socket near the main body and you can easily disconnect the power plug from it, to shut off the power.
- When the equipment will not be used for a long period of time, unplug it.
- When transporting the equipment, remove the rolled paper from it.
- Install the equipment on a flat, stable desk in a well-ventilated place free from vibrations. (Do not block the ventilation port.)





## PRECAUTION FOR HANDLING

Do not carry out the following operation, since they may damage the printer:

- Do not carry out blank printing in the condition where there is no paper. This may damage the print head.
- Do not use a power source other than the specified AC adapter.
- Do not drop any foreign subjects like paper clips, or splits pins, etc. into the printer unit.
- Do not spill any drinks or chemical liquid onto the printer units.
- Do not subject this equipment to excessive force such as by standing on the printer, dropping the printer or hitting the printer.
- Do not operate the operation panel using sharp objects such as the top of a pen etc.
- Do not use sheets of paper by adhering them together with plastic tape, etc..
- Never try to pull the paper forcibly by hand. Also, be careful not to get the paper caught by the printer cover when opening/closing it.

To avoid injury and prevent damage from occurring.

- Do not touch the printing portion of print head, motor or paper cutter blade. You could be burned or be cut on the finger.
- During operation, do not touch moving parts such as gears, or the electrical parts inside the printer units. They may be hot and result in a burn ore other serious injury.
- Take care not to injure yourself or other objects from the edge of the sheet metal.
- If an abnormality occurs during use, immediately stop using the printer and remove the power cable from the power source outlet.
- If a breakage occurs, do not attempt to disassemble the equipment. Be sure to leave the repair of this equipment to Service personnel.
- Be careful not to set your hand on fingers caught when opening on closing the cover.

## **ORDINALY MAINTENANCE**

- Make sure to maintain the equipment after switching OFF the power.
- Use a soft cloth when cleaning the surface of the main unit case. Use a wet cloth squeezed tightly in case the dirty portion can not be cleared out by the soft cloth.  
Absolutely do not use thinners, trichlene, benzine or ketone group solvents, or chemical-soaked cleaning cloths.
- Clean the printer with a soft brush if the print head becomes dirty because of paper dust.



- CAUTION :**
- Do not conduct the maintenance right after printing because the print head and motor are hot.
  - Do not touch the heating unit's head surface with a bare hand or a metal object.

## CONTENTS

<b>1. OUTLINE.....</b>	<b>1</b>
1.1 Features.....	1
1.2 Unpacking.....	1
<b>2. BASIC SPECIFICATIONS.....</b>	<b>3</b>
2.1 Model Classification.....	3
2.2 Basic Specifications.....	4
2.3 Paper Specifications.....	5
2.3.1 <i>Recommended Paper</i> .....	5
2.3.2 <i>Print Position</i> .....	5
2.3.3 <i>Head and Cutter Layout</i> .....	6
<b>3. OUTER APPEARANCE AND COMPONENT PARTS .....</b>	<b>7</b>
3.1 Outer Appearance and Component Parts .....	7
3.2 Description of Component Parts .....	8
<b>4. OPERATION .....</b>	<b>9</b>
4.1 Connecting AC Adapter .....	9
4.2 Connecting Interface Cable.....	10
4.3 Connecting Drawer Kick-Out Connector (Option) .....	11
4.4 Inserting the Paper Roll .....	12
4.5 How to Remove Remaining Paper.....	14
4.6 Removing Paper Jam .....	14
4.7 Paper End and Alarm.....	15
4.7.1 <i>Error Indication on the Operation Panel</i> .....	15
4.7.2 <i>Error Details</i> .....	15
4.8 Self Printing Function.....	16
4.9 Paper Auto Loading Function .....	16
4.10 Paper Jam and Shear in Printing.....	17
<b>5. DIP SWITCH SETTING.....</b>	<b>18</b>
5.1 Location of DIP Switch .....	18
5.2 DIP Switch Setting .....	19
5.3 Repeat Print Setting.....	20
5.3.1 <i>Repeat Print Mode 1 by Command</i> .....	20
5.3.2 <i>Repeat Print Mode 2 by Command</i> .....	20
5.3.3 <i>Auto-Repeat Print Mode</i> .....	20
5.3.4 <i>Normal Print Mode</i> .....	20
<b>6. PARALLEL INTERFACE.....</b>	<b>21</b>
6.1 Specifications .....	21
6.2 Connector's Pin Configuration .....	21
6.3 Input and Output Signals .....	22
6.3.1 <i>Input and Output Signals</i> .....	22
6.3.2 <i>Electrical Characteristics</i> .....	23
6.3.3 <i>Timing Chart</i> .....	24
6.3.4 <i>Data Receiving Control</i> .....	24
6.3.5 <i>Buffering</i> .....	24
<b>7. SERIAL INTERFACE .....</b>	<b>25</b>
7.1 Specifications .....	25
7.2 Connector's Pin Configuration.....	26
7.3 Input and Output Signals .....	27
7.3.1 <i>Input and Output Signals</i> .....	27
7.3.2 <i>Data Configuration</i> .....	28

---

7.3.3 Error Detection .....	29
7.3.4 Data Receiving Control .....	29
7.3.5 Buffering .....	29
7.3.6 Electrical Characteristics .....	30
<b>8. DRAWER KICK-OUT CONNECTOR AND POWER CONNECTOR .....</b>	<b>31</b>
8.1 Specifications of Drawer Kick-Out Connector(Optional) .....	31
8.1.1 Connector's Pin Configuration .....	31
8.1.2 Drive Circuit .....	31
8.2 Power Supply Connector Specifications .....	32
<b>9. MAINTENANCE AND SERVICE .....</b>	<b>33</b>
<b>10. PRINT CONTROL FUNCTIONS .....</b>	<b>34</b>
10.1 Commands List .....	34
10.2 Command Sets .....	35
10.3 Commands Details .....	36
10.3.1 Description of Items .....	36
10.3.2 Details .....	37
<b>11. CHARACTER CODES TABLE .....</b>	<b>51</b>
11.1 P-250, P-900R mode .....	51
11.2 iDP-562 mode .....	52
11.3 International Character Codes Table(All Common) .....	53
<b>APPENDIX 1. BLOCK DIAGRAM .....</b>	<b>54</b>
<b>APPENDIX 2. OUTER DIMENTION .....</b>	<b>55</b>

## &lt;&lt;&lt; German &gt;&gt;&gt;

<b>4. VORBEREITUNG .....</b>	<b>63</b>
4.1 Anschluß des Netzteils .....	63
4.2 Anschluß des Schnittstellenkabels .....	64
4.3 Anschluß des Ausschubmechanismussteckers der Geldschublade .....	65
4.4 Einlegen des Druckpapiers (Rolle).....	66
4.5 Entfernen des restlichen Papiers.....	68
4.6 Beseitigung von Papierstaus.....	68
4.7 Papierende und Alarm.....	69
4.7.1 Fehleranzeige am Bedienfeld.....	69
4.7.2 Fehlermeldungen.....	69
4.8 Selbstdruckfunktion.....	70
4.9 Automatische Papiervorschubfunktion .....	70
4.10 Papierstau und Reißen beim Druckbetrieb.....	70
<b>5. EINSTELLUNG DER DIP-SCHALTER .....</b>	<b>70</b>
5.1 DIP-Schalterposition .....	70
5.2 Funktion der DIP-Schalter .....	70

## 1. OUTLINE

This printer, a small-sized serial thermal printer, has been developed to be applicable to various data communication terminals, POS terminals, kitchen printers, etc..

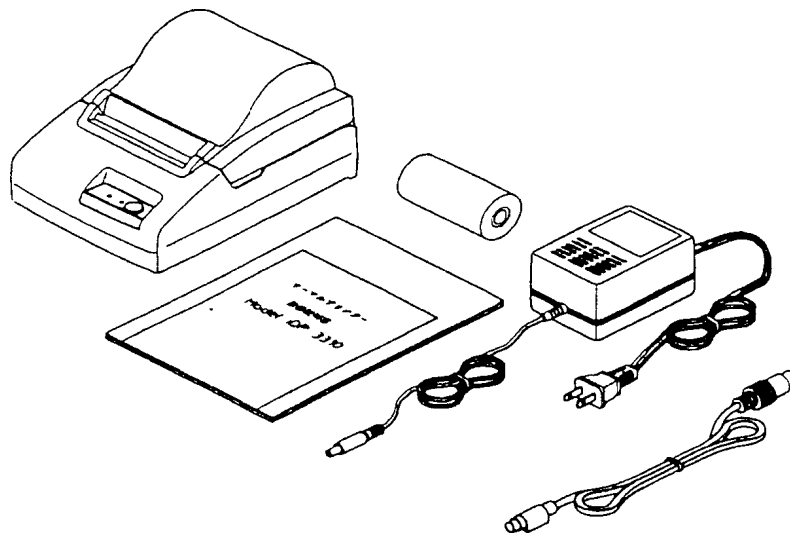
The printer can be widely used in various applications since the printer is equipped with many functions. Read this manual thoroughly before you start using the printer.

### 1.1 Features

- (1) Light weight and small footprint.
- (2) Easy paper loading due to auto loading function.
- (3) High speed printing and quiet printing due to thermal printing.
- (4) High reliability due to long life of printer head and simple design.
- (5) Input buffer incorporated.
- (6) Cash drawer kick-out interface incorporated.
- (7) The command functions are available for various models.
- (8) External Power supply by AC adaptor.

### 1.2 Unpacking

- (1) Upon unpacking the printer, make sure that the following parts are contained in this package.
  - Printer body ..... 1 unit
  - Sample paper roll ..... 1 roll
  - AC adapter..... 1 piece
  - User's Manual ..... 1 copy
  - Min-DIN to DIN cable ..... 1 piece(Provided only for the V interface model)



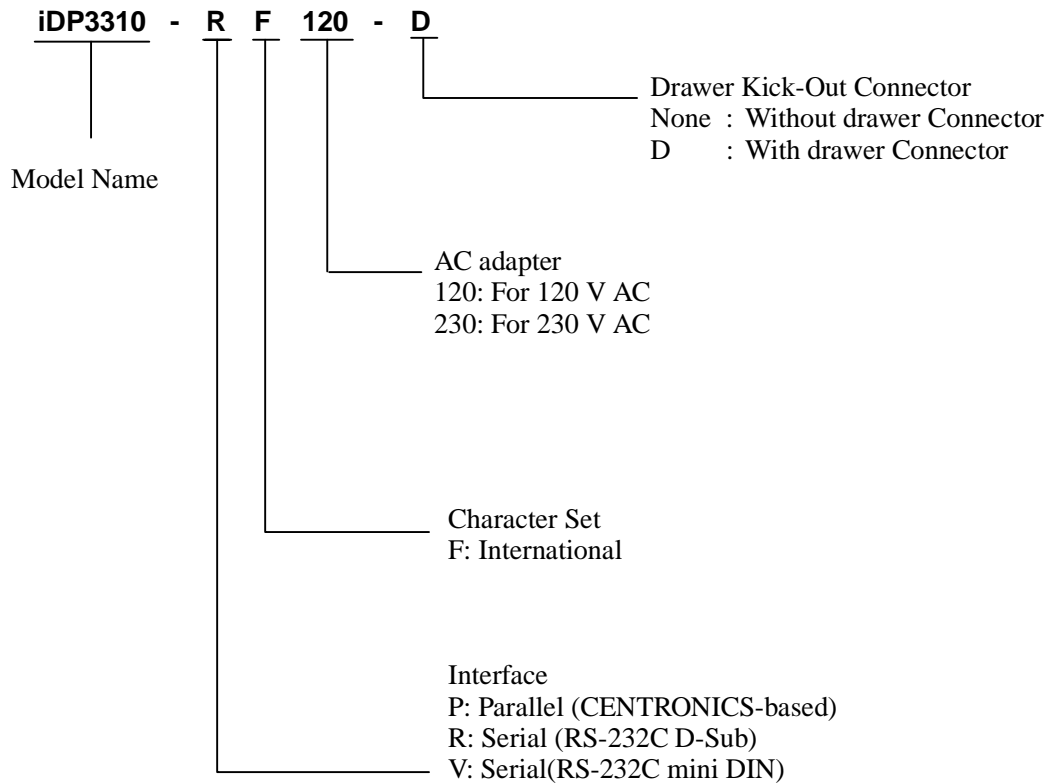


- CAUTION :**
- Install this printer on a flat and stable table.
  - Do not install this printer near a heater or in direct sunlight.
  - Do not use this printer in locations with high temperature, high humidity or heavy dirt.
  - In case of the Printer sets wet, do not switch the power ON until it dries.

## 2. BASIC SPECIFICATIONS

### 2.1 Model Classification

The printer model is classified by the following designation method.



❖ Exclusive AC Adapter Types and Power Cords

- 33AD-U (120V 2-core cord)
- 33AD-E (230V 2-core cord)



## 2.2 Basic Specifications

Model	iDP3310-RF120 iDP3310-VF120 iDP3310-PF120	iDP3310-RF230 iDP3310-VF230 iDP3310-PF230
Items		
Printing method	Serial Thermal	
Print width	63.4 mm/252 dots (42 columns)	
Dot pitch	Horizontal 0.2515 mm (Approx. 4 dots/mm) Vertical 0.33 mm (1/77 inch)	
Print speed	Approx. 3.0 line/sec (Bi-directional printing)	
No. of printing columns	40 (Standard) or 42 columns (5 x 7 dots)(Can be selected by command)	
Character size	1.25 x 2.31 mm (5 x 7 dots)	
Character types	Alphanumeric, International characters	
Line pitch	3.3 mm (Can be selected by command)	
Paper	Thermal Paper Roll 80 x $\phi$ 80 mm (Max)	
Interface	Serial (DIN 8 pin or RS-232C) Parallel (Conforms to CENTRONICS)	
Input buffer	Normal Print Mode : 250 bytes Reprint Mode : 1 K bytes	
Paper end detection	Equipped (Stop printing when the paper runs out)	
Drawer Kick-Out Connector	1 drawer (Option)	
Paper Auto Loading	Automatically feeds the when the paper is inserted.	
International Character	11 countries(Can be selected by command)	
Power Consumption	Standby : Approx. 2W Printing : Approx. 15W	
Spec. of AC Adapter	Rated input : 120V (33AD-U), 230V (33AD-E) 50/60Hz, 35VA (Max) Rated output : DC17V, 0.9A	
Operating Temperature/humidity	5~40°C 35~85% RH (Free of dew condensation) < Print Quality 5~35°C >	
Storage Temperature/humidity	-20~60°C 10~90% RH (Free of dew condensation)	
External dimensions (main body)	142 (W) x 120 (H) x 198 (D) mm	
Weight	Main unit : Approx. 900g AC adaptor : Approx. 750g	
Reliability	Print head's life : Pulse resistance 50 Million pulses Wear resistance 85Km (85 mm/line) (Normal temperature, Normal humidity, recommended paper)	
Safety/EMI Standard *1	120 V Model : FCC Class A 230 V Model : GS	

\*1 All Safety Standard has been approved with AC adaptor, 33AD series.

## 2.3 Paper Specifications

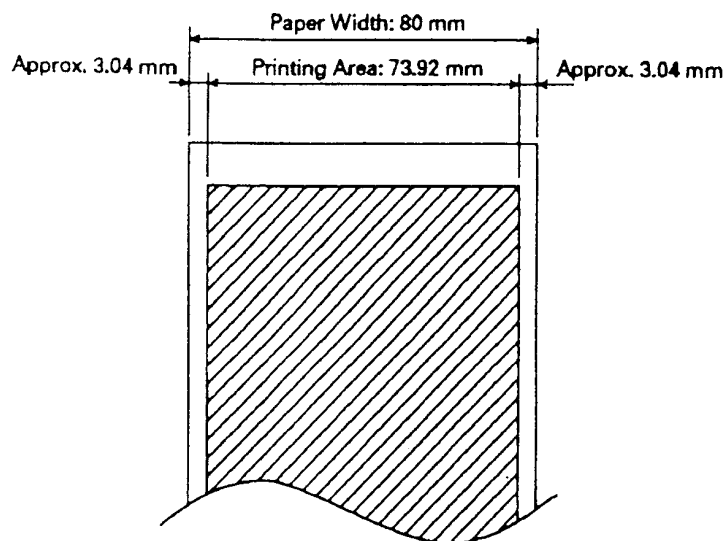
### 2.3.1 Recommended Paper

- Type : Thermal paper
- Paper width : 80 plus 0/minus 1 mm
- Paper thickness : 60~90 $\mu$ m
- Roll diameter :  $\phi$ 80mm or less
- Printed surface : Outside of the roll (Surface)
- Recommended paper : TF50KS-E2C by Nippon paper Mil. Or other equivalent
- Core :  $\phi$ 12mm (Inner diameter)

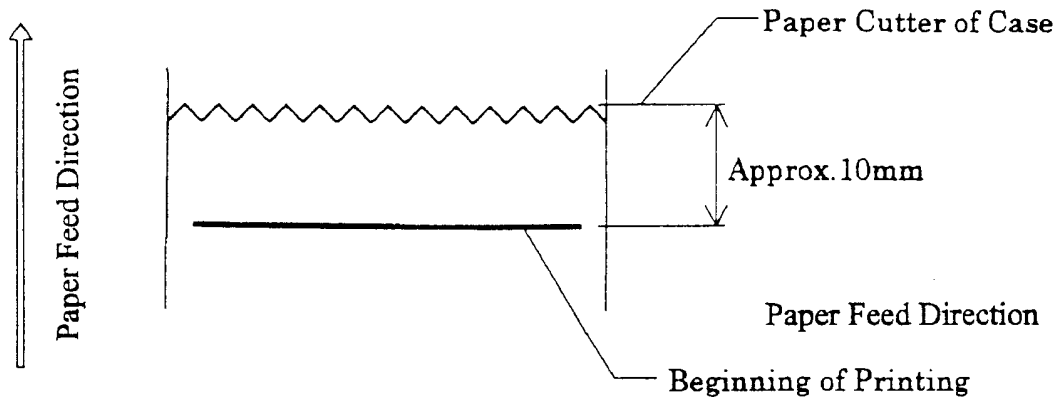


- CAUTION :**
- Print quality may vary if you use paper other than specified.  
In such case, change print density by dip switch setting.  
(See “5. Dip Switch Setting”)
  - Do not paste the paper to the core.
  - Chemicals or oil may change the color of paper, or printed characters may be vanished.
  - Thermal paper color may be changed if scratched with a nail or something sharp.
  - Change of paper color starts at approx. 70°C. Pay attention to heat, humidity and sun light.

### 2.3.2 Print Position

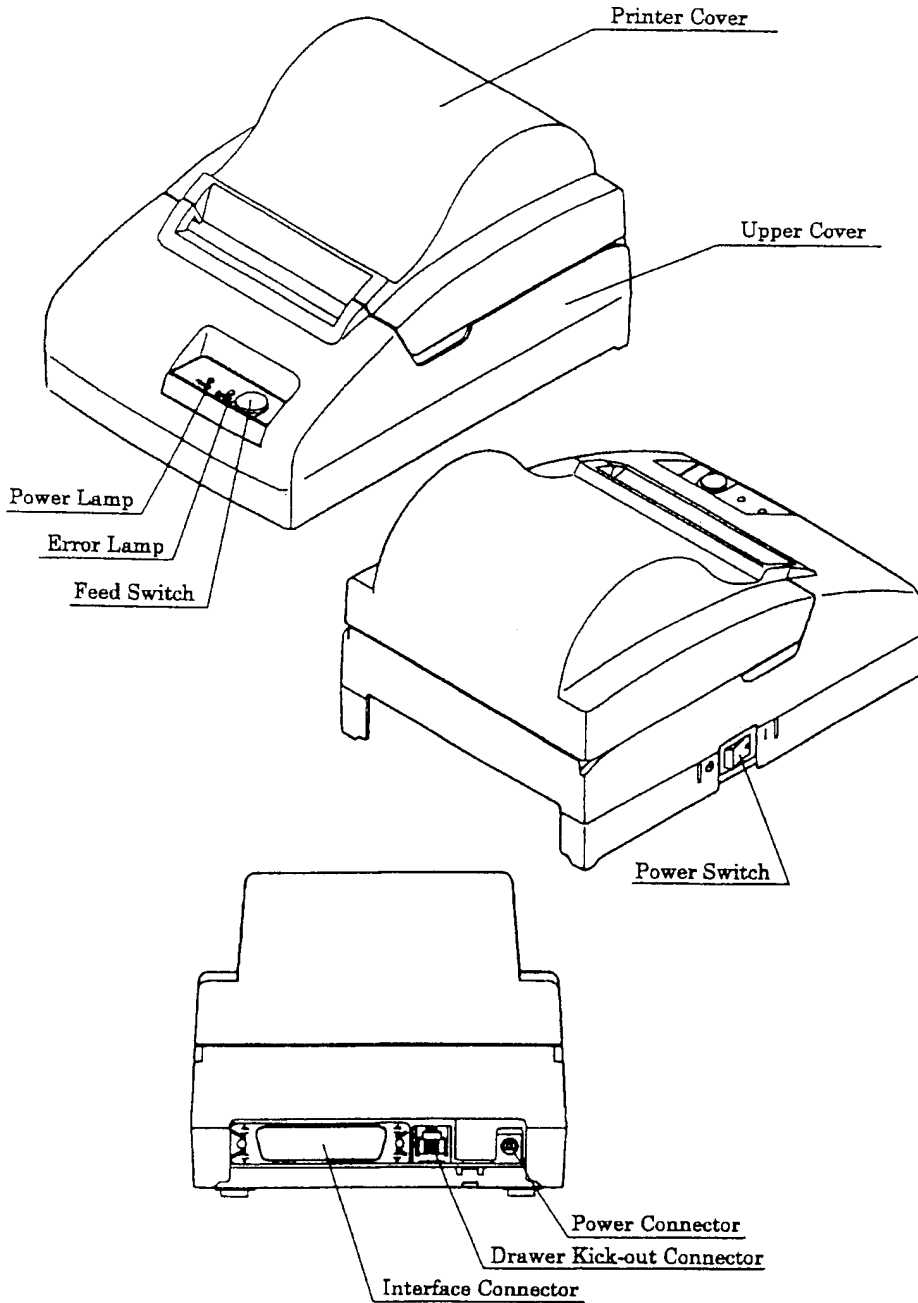


### 2.3.3 Head and Cutter Layout



### 3. OUTER APPEARANCE AND COMPONENT PARTS

#### 3.1 Outer Appearance and Component Parts



### 3.2 Description of Component Parts

(1) Printer cover

Open/close this cover when you replace the paper or correct its jamming.

(2) POWER lamp

This lamp is illuminated when the power is turned on.

(3) ERROR lamp

This lamp blinks when the paper runs out, and it is illuminated when the printer is mechanically locked.

(4) FEED switch

Press this switch when you want to feed the paper. The paper is fed while it is being pressed. Test printing will be performed if you turn on the power while holding down this switch.

(5) Power connector

Connect an accessory AC adapter.

(6) Interface connector

Connect a connector cable meeting the specification.

(7) Drawer kick-out connector(D type only)

Connect a drawer kick-out connector cable.

(8) DIP switches

These switch are to initially set communication, print density, and so on. (Located under the bottom of the main body. See "5. DIP SWITCH SETTING .")

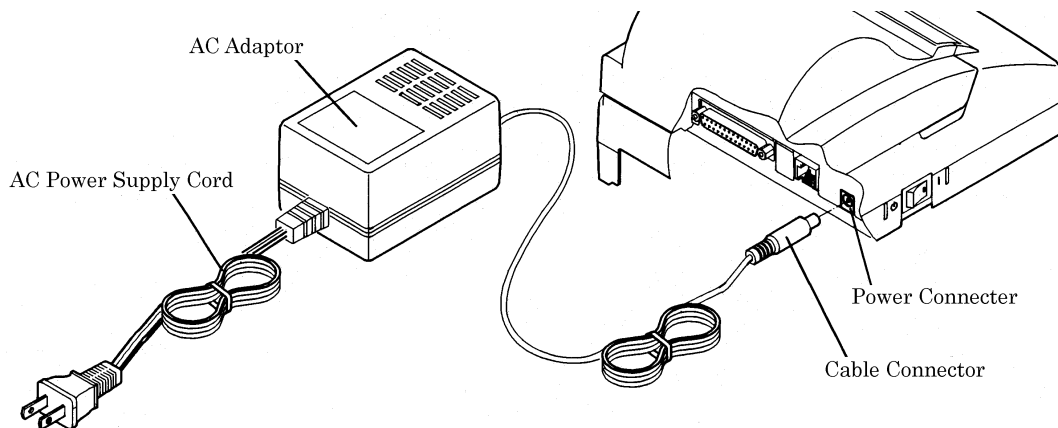
## 4. OPERATION

### 4.1 Connecting AC Adapter

- (1) Turn off the power switch.
- (2) Put the cable connector of the AC adapter into the power connector on the rear side of the printer.
- (3) Put the AC Power Supply Cord into the outlet.

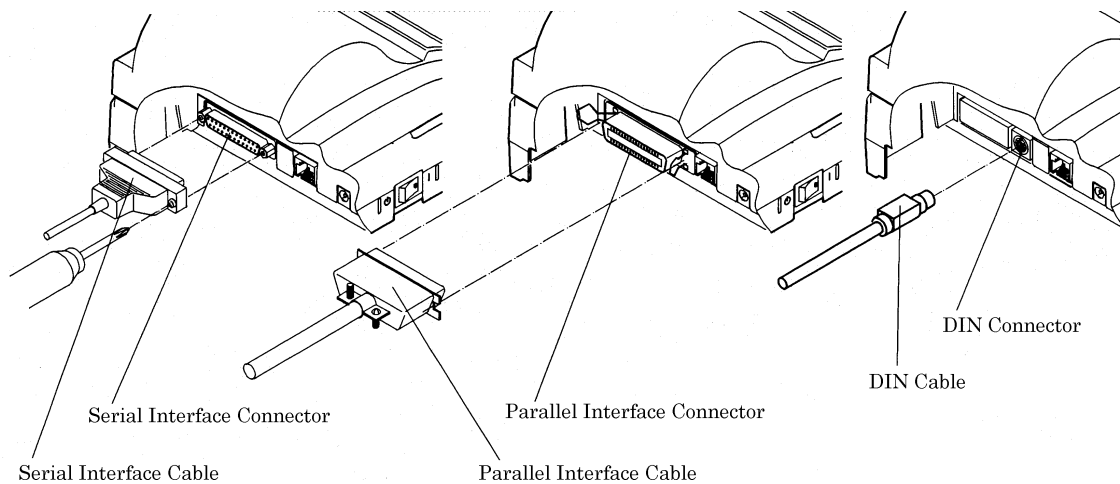


- CAUTION :**
- Do not use a power supply unit other than the specified.
  - When unplugging the AC Power Supply Cord, be sure to hold the plug. Pulling the AC Power Supply Cord could damage it, resulting in fire, electric shock, or wire breakage.
  - Unplug the AC Power Supply Cord from the plug socket and do not use the equipment during a thunderstorm. A lightning strike might cause fire or electric shock.
  - Do not put the AC Power Supply Cord cord near a heating device. The coating of the power cord may be melted, resulting in fire or electric shock.
  - If the equipment will not be used for a long time, be sure to unplug the AC Power Supply Cord from the plug socket, for safety.
  - Make sure to use the power outlet for this power supply unit separated from the one used for the other equipment creates noise.
  - Do not use the accessory AC Adapter for other devices or applications.



## 4.2 Connecting Interface Cable

- (1) Turn OFF the power switch. (Both for the printer and the host side.)
- (2) Locate the up and down side of the cable terminal. And connect it to the interface connector.
- (3) Fix the cable terminal.
  - Serial interface : Tighten screws.
  - Parallel interface : Turn to tighten the fixing parts.
  - Mini DIN interface : Put it into until locked.
- (4) Connect the cable to the host side.

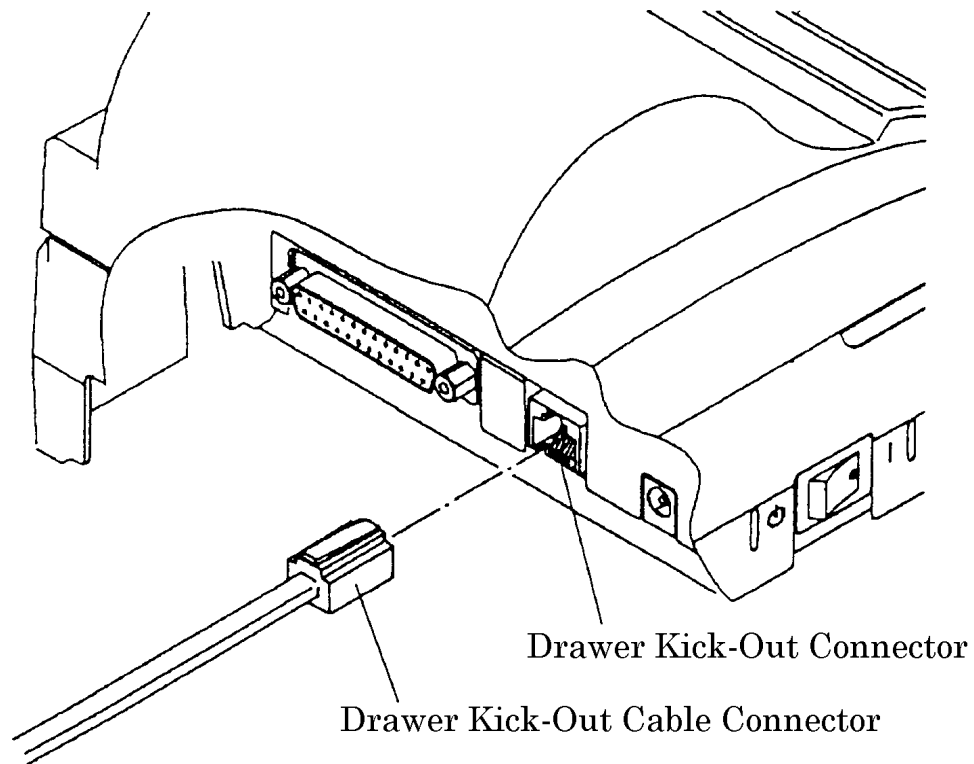


### 4.3 Connecting Drawer Kick-Out Connector (Option)

- (1) Turn OFF the power switch.
- (2) Locate the up and down side of the drawer kick-out cable connector and put it into the drawer kick-out connector on the rear side of the printer.



**CAUTION :** • Do not connect the drawer (solenoid) other than specified in this manual.  
(For example Telephone line and etceteras)  
Rated solenoid: Voltage DC12±1V / Current 0.8A (Max)





## 4.4 Inserting the Paper Roll



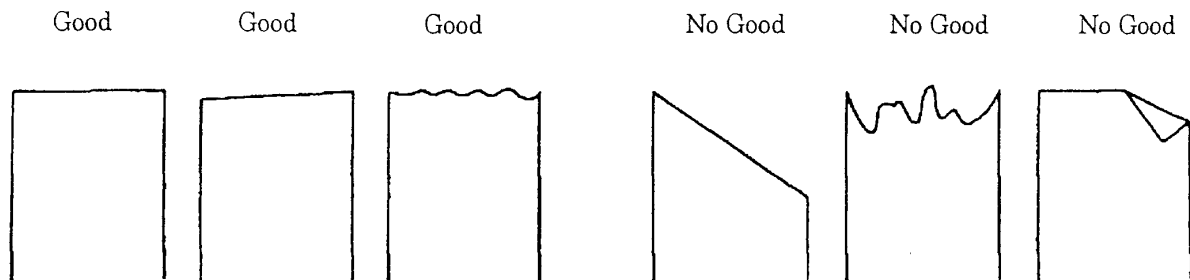
**CAUTION :** • Print quality and reliability may not be guaranteed if you use paper that is not specified in this manual.

- (1) Holding the projections on both sides of the printer cover, open it until it stops.
- (2) Cut the end of paper roll approximately at a right angle.



**CAUTION :** • The printer cover is not detachable. Do not try to further open beyond the stop position.

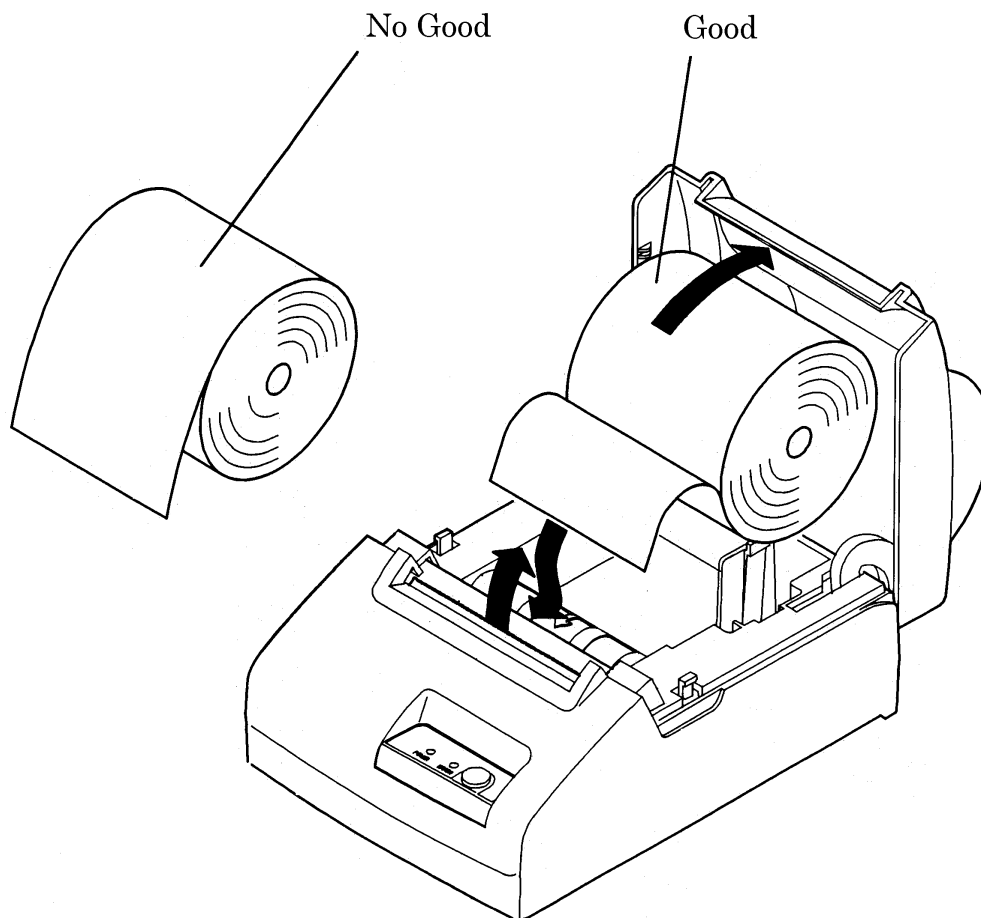
- Do not insert paper roll with its end frayed or bent.



- (3) Confirming winding directions of paper roll, put it on the paper hook of the upper cover.
- (4) Turn ON the power switch.
- (5) Insert the tip of paper roll straight into the paper inlet (as indicated by an arrow on the case).
- (6) Paper is automatically pulled into the mechanism and paper comes out from paper outlet slightly. Feed the paper with feed switch and cut the extra paper if needed.
- (7) Remove the slack of the paper and close the printer cover.



- CAUTION :**
- Printer will be in standby mode after roll paper has been inserted. Then in case any data is still left in the buffer or in case receiving data from host side, printer will start printing.
  - In case the slack of paper remains, adjust the position of paper roll pulling paper guide to the front side.
  - In case the paper is crooked, remove the paper carefully and insert again or pull the paper carefully to adjust or keep pressing FEED switch after closing printer cover.
  - A paper jam may occur if you open the printer cover during printing.
  - A paper jam may occur if you hold the paper coming from outlet during printing.
  - Since print head and motor are hot, do not carry out this action right after printing.



## 4.5 How to Remove Remaining Paper

- (1) In case of paper end, keep pressing FEED switch, and pull out the paper if the paper is not feeded.
- (2) In case the paper is still remaining open the printer cover and then cut the paper completely with manual cutter on the upper cover, after that feed out the paper with pressing FEED switch.



- CAUTION :**
- Be sure to use the FEED switch for pulling out paper.
  - Do not pull out the paper strongly for any directions, if it is needed, pull the paper quietly.

## 4.6 Removing Paper Jam

Carry out the following procedure to remove paper jam.

Make sure to Turn OFF the power switch before this procedure.

- (1) Turn off the power switch and open the printer cover.
- (2) Cut the paper completely with manual cutter on the upper cover.
- (3) Remove the paper completely. Pull out the paper carefully, do not pull out roughly.  
Do not give damage the print head when handling.
- (4) Turn on the power switch if the paper is completely removed.



- CAUTION :**
- Since print head and motor are hot, do not carry out this action right after printing.
  - Do not carry out this action while printer is turned on.
  - When removeing the remaining paper, do not touch the surface of heating unit of the print head by bear hands or by a metal piece etc. This may cause a problem.
  - Do not feed the paper with FEED switch if the print head is not positioned on the left side of carriage rail. It will be positioned on the left side by turning on the power switch again.
  - Do not touch the manual cutter while removing the paper.

## 4.7 Paper End and Alarm

### 4.7.1 Error Indication on the Operation Panel

When the power is turned on or while using the printer, the ERROR lamp is turned on/blinks on the operation panel.

Error Indication	Error Lamp	Resetting Method
Home position error	Turned on	Unresettable
Paper end	Blinking	Set new printing paper

### 4.7.2 Error Details

#### (1) Home position error:

When the power is turned on, the printing head is moved to the left end, to set the home position, but this error will occur if the mechanism does not function due to a mechanical lock, etc., the paper is jamming, or the printer cannot be brought to the home position within the specified time. The BUSY (DTR) and FAULT (parallel only) signals are output to the outside.

#### (2) Paper end:

This error occurs when the printing paper runs out or has not been inserted. Insert it as described in “4.4 Inserting the Printing Paper (Rolled).” The ERROR lamp will be turned off if it is properly inserted. The BUSY (DTR) and FAULT (parallel only) signals are output to the outside. If this error is reset, the output signals will be also reset.



- CAUTION :**
- If the home position error occurs often, turn off the power and consult the dealer where you purchased the printer. If the printer is properly connected, but the POWER lamp is not illuminated or it malfunctions, stop using it and contact the dealer.
  - If the printer emits smoke, catches fire, or fails to print, stop using it immediately and turn off the power. Never repair or disassemble the printer.
  - When eliminating the reason for the error, such as a paper jam, etc., be sure to turn off the power.
  - Immediately after printing is done or an alarm occurs, the printing head, motor, and their surroundings may be hot. Be careful not to avoid burn injury.

## 4.8 Self Printing Function

Turn on the power while pressing the FEED switch. The printer prints the characters used, ROM version, DIP switch information, and so on.

- (1) Turn on the power while pressing the FEED switch.
- (2) Once printing starts, release the FEED switch.



- CAUTION :**
- Do not operate this function if the printing paper has run out or is running out.
  - Printing may be resumed by bringing the printing paper to the paper inlet of the printer.(Printing is performed without paper)
  - As this could lead to trouble, make sure that there is plenty of printing paper inserted in the printer.

## 4.9 Paper Auto Loading Function

If new printing paper is inserted into the paper inlet of the printer, it will be fed by several lines automatically. In order to prevent the printing paper from being bent, insert it straight into the paper inlet. If the printing paper has not reached the paper outlet, press the FEED switch to feed it out of the paper outlet.



- CAUTION :**
- Insert the printing paper described in “4.4 Inserting the Paper Roll.”
  - During auto loading operation, do not pull the printing paper. It could cause trouble or a paper jam.
  - To insert the printing paper, slack it fully. Otherwise, it may jam immediately after auto loading is started. After auto loading is completed, the printer is made ready for printing. Note that if some data still remains in the buffer or is received, printing will be resumed after the printing paper is inserted.

#### 4.10 Paper Jam and Shear in Printing

This printer may have printing errors, such as a shear, in the following cases. If this occurs, turn the power off and on again.

- (1) When the printer is locked temporarily because the end of the printing paper is caught in discharging or inserting it.
- (2) When the printing paper is pulled forcibly in the printing or reverse direction while the printer is printing or stopping.
- (3) When the printing paper is held and cannot be fed.
- (4) When the printer is locked temporarily by foreign substances in operating the printing head.

If there is a shear in printing, an abnormal sound will be heard at the time of printing. If this occurs, turn off the power immediately.

A shear in printing can occur even if no abnormal sound is heard. Turn the power off and on again.



- CAUTION :**
- Even if a paper jam or the like has occurred during after power-on, this printer will not stop. When you want to print continuously, pay full attention to a paper jam and shear in printing.

## 5. DIP SWITCH SETTING

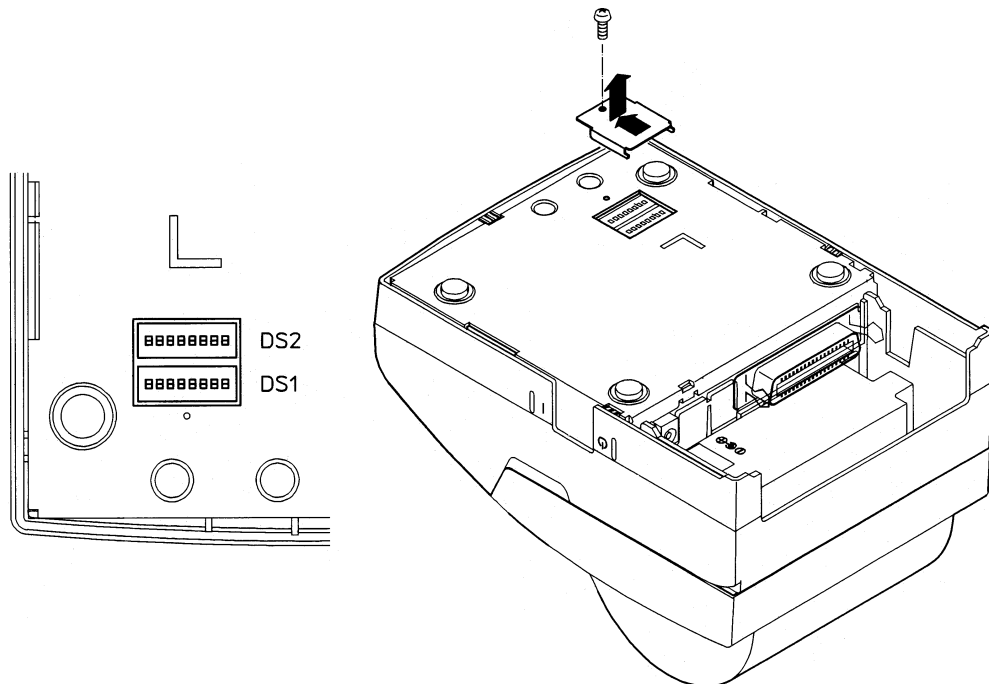
### 5.1 Location of DIP Switch

The DIP switches are located under the bottom of the main body. If the power is turned on, their setting cannot be valid. Turn on the power after setting the switches.

- (1) Turn off the power.
- (2) Unscrew the Dip switch cover. (Do not lose the screw)
- (3) Slide the cover toward the screw mounting side, and remove it in the arrow-indicated direction.
- (4) Set the DIP switches.
- (5) After setting the switches, put back the cover and screw it.



- CAUTION :**
- Watch out for the edges of the DIP switch cover. The screw used is M2 x 3mm. Never use any other screw. (If lost, use its equivalent. Do not use a longer one.)
  - Be sure to turn off the power prior to setting the DIP switches. If it is set with the power turned on, it may damage the printer.
  - Do not use something sharp to set the DIP switches. Be sure to leave the disabled switch segments to OFF. (setting upon shipment)
  - \* Do not use the printer with the DIP switch cover removed.



## 5.2 DIP Switch Setting

### 1) DS1

DS1	Function	ON	OFF	Factory Setting
DS1-1	Unused			OFF
DS1-2	Mode change	P200/250	iDP562	ON
DS1-3	Print density	* See the table below.		OFF
DS1-4	Print density			ON
DS1-5	CR switching	Ignored	LF activated	ON
DS1-6	DC2 cord	Disable	Enable	OFF
DS1-7	Reprint	* See the table below.		ON
DS1-8	Reprint			ON

### 2) DS2

DS2	Function	ON	OFF	Factory Setting
DS2-1	Bit length	8 bits	7 buts	ON
DS2-2	Parity	Not provided	Provided	ON
DS2-3	Odd/even	Odd	Even	OFF
DS2-4	Unused			OFF
DS2-5	BAUD RATE	* See the table below.		ON
DS2-6	BAUD RATE			ON
DS2-7	BAUD RATE			OFF
DS2-8	Unused			OFF

DS2 is available only for serial interfaces.

Print Density	Light	Standard	Dark	Darker
DS1-3	OFF	OFF	ON	ON
DS1-4	OFF	ON	OFF	ON

Reprint Mode	Command Reprint 1	Command Reprint 2	Reprint	Normal print
DS1-7	OFF	OFF	ON	ON
DS1-8	OFF	ON	OFF	ON

See the Page 20, 5.3 Repeat Print Setting.

BAUD RATE	150	300	600	1200	2400	4800	9600	19200
DS2-5	OFF	OFF	OFF	OFF	ON	ON	ON	ON
DS2-6	OFF	OFF	ON	ON	OFF	OFF	ON	ON
DS2-7	OFF	ON	OFF	ON	OFF	ON	OFF	ON



## 5.3 Repeat Print Setting

There are four kinds of repeat print modes, including normal print mode. Set them according to your applications. The input buffer size is 250 bytes for the normal print mode, and 1K bytes for the other (repeat) three print modes.

### 5.3.1 Repeat Print Mode 1 by Command

If a reprint command (DC3) is received, reprinting will be performed 10 seconds after printing all the data. Reprinting is not performed unless the reprint command is received. The buffer is cleared after reprinting.

### 5.3.2 Repeat Print Mode 2 by Command

If a reprint command (DC3) is received, reprinting will be performed 2 seconds after printing all the data. Reprinting is not performed unless the reprint command is received. The buffer is cleared after reprinting.

### 5.3.3 Auto-Repeat Print Mode

If no data is received within 10 seconds after printing, the automatic print mode will be effected to perform reprinting, even if there is no reprint command. The buffer is cleared after reprinting.

### 5.3.4 Normal Print Mode

The received data are printed sequentially. The reprint command is disabled.

- If the input data exceeds 1K byte in one of three repeat print modes, the repeat print command or the repeat print function after the specified time will reprint the preceding 1K byte data.
- For the commands, see the 10.PRINT CONTROL FUNCTIONS.

## 6. PARALLEL INTERFACE

### 6.1 Specifications

- Data input system : 8-bit parallel system (DATA1~8)
- Control signals :  $\overline{\text{ACK}}$ , BUSY,  $\overline{\text{STB}}$ ,  $\overline{\text{RESET}}$ ,  $\overline{\text{FAULT}}$ , SELECT
- Applicable connectors : Printer side --- 57RE-40360 (AMPHENOL or equivalent)  
Cable side --- 57-30360 (AMPHENOL or equivalent)

### 6.2 Connector's Pin Configuration

No.	Signal Name	No.	Signal Name
1	$\overline{\text{STB}}$	19	TWISTED PAIR GND
2	DATA 1	20	"
3	" 2	21	"
4	" 3	22	"
5	" 4	23	"
6	" 5	24	"
7	" 6	25	"
8	" 7	26	"
9	" 8	27	"
10	$\overline{\text{ACK}}$	28	"
11	BUSY	29	"
12	GND	30	
13	SELECT	31	$\overline{\text{RESET}}$
14	GND	32	$\overline{\text{FAULT}}$
15	GND	33	
16	GND	34	
17	FRAME GND	35	
18		36	

## 6.3 Input and Output Signals

### 6.3.1 Input and Output Signals

#### (1) Input Signals to the Printer

- DATA : 8-bit parallel signal. (Positive logic)
- STB : Strobe signal to read 8-bit data. (Negative logic)
- RESET : Signal to reset the entire printer (Negative logic) 1m sec more

#### (2) Output Signals from Printer

- ACK : An 8-bit data request signal. Pulse signal output at the end of the BUSY signal.(Negative logic)
- BUSY : The signal to indicate BUSY state of the printer. Input new data for "LOW."(Positive logic)
- FAULT : The signal which is made "LOW" when the printer is in alarm state. All the control circuit inside the printer are stopped at this time.(Negative logic)
- SELECT : The signal which is made "HIGH" when the printer is ready to receive the data. (Positive logic)

#### (3) Power related signal

- GND : This is the common ground for the circuits.

## 6.3.2 Electrical Characteristics

## (1) Input signal level

All the input signals are at C-MOS level.

"HIGH" level : 4.0V at minimum

"LOW" level : 1.0V at maximum

## (2) Output signal level

All the output signals are at C-MOS level.

"HIGH" level : 4.5V at minimum

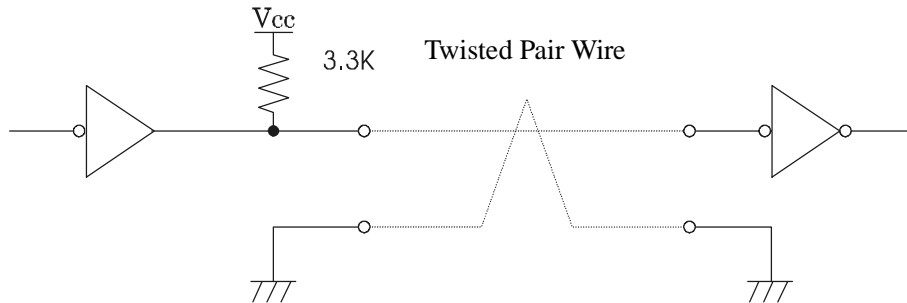
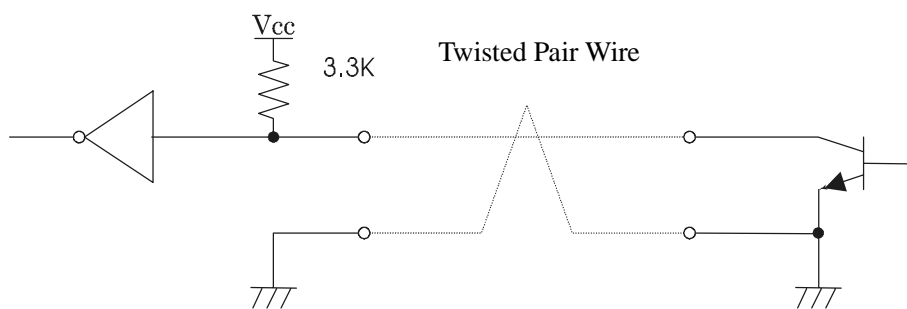
"LOW" level : 0.1V at maximum

## (3) I/O Conditions

All the input and output signals are pulled up by 3.3 k $\Omega$ .

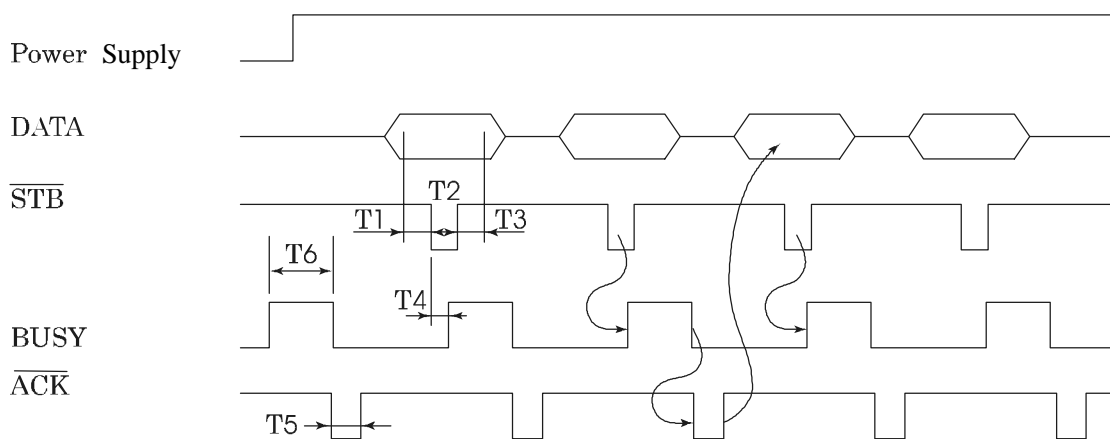
[Printer Side]

[Host Side]



### 6.3.3 Timing Chart

#### Data Input and Print Timing



T1, T2, T3	: 0.5 $\mu$ s MIN
T4	: 270 ns MAX
T5	: 2.3 $\mu$ s TYP
T6	: 500 ms MIN (On supplying power)

### 6.3.4 Data Receiving Control

When BUSY signal is "LOW", data from the host can be received. When it being "HIGH", data can not be received.

### 6.3.5 Buffering

The BUSY signal is available as a control signal for transferring the data to the input buffer.(See the page 22, 6.3.1-(2))

- Normal print mode  
Capable of buffering the 250-byte data.
- Repeat print mode  
Capable of buffering the 1k-byte data. If the data exceeds 1 k-byte, the preceding 1 k-byte data will be printed repeatedly.

## 7. SERIAL INTERFACE

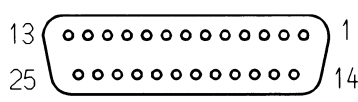
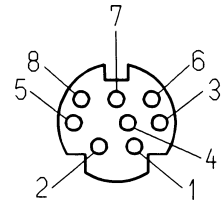
### 7.1 Specifications

- (1) Synchronous system : Asynchronous
- (2) Baud rate : 150, 300, 600, 1200, 2400, 4800, 9600, 19200 (User selectable)
- (3) Configuration of one word
  - Start bit : 1 bit
  - Data bits : 7 or 8 bits (User selectable)
  - Parity bit : Odd, even or none (User selectable)
  - Stop bit : 1 bit or more
- (4) Signal polarity  
RS-232C
  - Mark = Logic "1" (-3 to -12V)
  - Space = Logic "0" (+3 to +12V)
- (5) Receiving Data (RD signal)  
RS-232C
  - Mark = 1
  - Space = 0
- (6) Data receiving control (DTR signal)
  - Mark : Data transfer disabled
  - Space : Data transfer enabled
- (7) Data transmitting control (TD signal)  
RS-232C
  - Status transmission
    - Native mode = Transmits "A"(41h)
    - 900R mode = Transmits "H"(48h)
  - Printer state transmission  
Transmits the data which is the 1 byte condition. See the page 34, 10. PRINT CONTROL FUNCTIONS.

## 7.2 Connector's Pin Configuration

D-Sub Connector No.	Mini DIN Connector No.	Signal	I/O	Function
1	Shell	FG	--	Frame Ground
7	7	GND	--	Signal GND
3	5	RD	Input	Received Data
20	3	DTR	Output	Printer BUSY signal
2	6	TD	Output	Transmitted Data
4	4	DSR	Input	Data Set Ready

D-Sub Connector	Mini DIN Connector
	

- Cautions:**
1. An RS-232C signal is based on the EIA RS-232C.
  2. When the data is not being transferred, the received data should be always maintained as a mark.

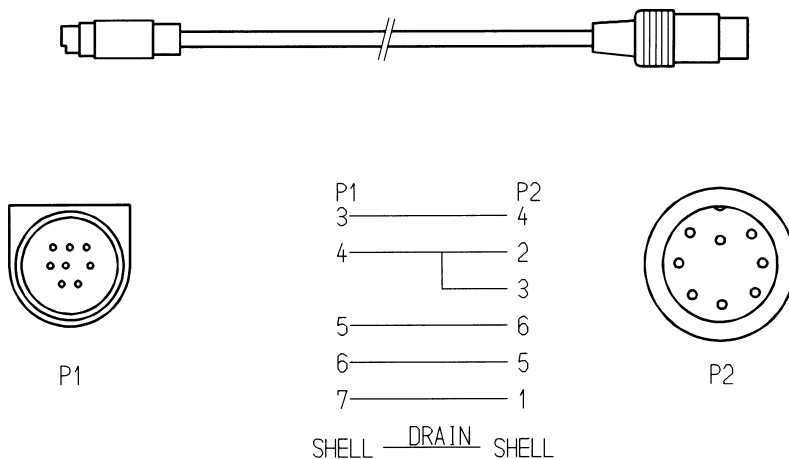
Applicable connectors (D-Sub connectors)

- Printer side : 17LE-13250 (Equivalent to DDK)
- Cable side : 17JE-23250 (Equivalent to DDK)

Mini DIN connector

- Host side : 8-pin DIN connector

Mini DIN-DIN cable (Provided only for V interface model)



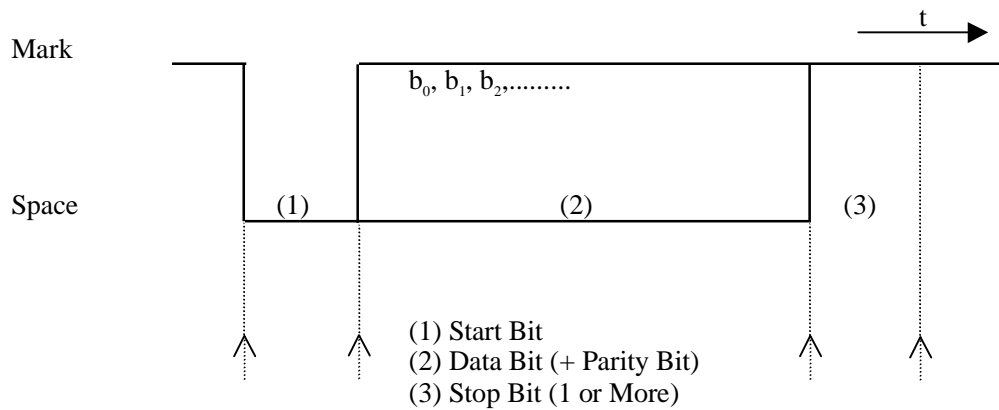
## 7.3 Input and Output Signals

### 7.3.1 Input and Output Signals

- (1) RD  
Serial receiving data signal. On occurrence of framing error, overrun error, or parity error, the data is canceled.
- (2) DTR  
When this signal is READY, write data or a command. When they are written in BUSY, overrun error is occurred and data is ignored. Even during printing, data can be loaded in the input buffer. Further, BUSY can take place on supply of power, during test printing, during on-line, or on resetting.
- (3) TD  
If a command is received, which requests the printer condition or printer status, the corresponding 1-byte data will be output.
- (4) DSR  
If this signal is a Space, the data will be sent from the printer side. Note that if this signal is a Mark when a request to send command is executed, the printer will wait until the signal becomes a Space.
- (5) FG  
This is a Frame Ground.
- (6) GND  
This is a common ground on the circuit.



## 7.3.2 Data Configuration



- (1) Start bit  
In 1/2 bit from the Mark-to-Space starting edge, state is read once again. When "Space" state is confirmed, it is recognized as the start bit. If it is "Mark" state, it is not taken as the start bit. Without taking it as an error, detection of a start bit is carried out once again.
- (2) Data Bit + Parity Bit  
Data bit and parity bit are sampled at 1/2 start bit for time length equal to 1 bit. The state thus sampled is taken as the data for the bit concerned. Bits are named as Bit 0, Bit 1, ..., parity bit counted from the one close to the start bit.
- (3) Stop bit  
The stop bit is a mark level of 1 bit or more. With "Space" having been detected on detection of a stop bit, framing error takes place.

### 7.3.3 Error Detection

Parity, framing, and overrun are detected. On detection of any error, the data are canceled.

(1) Framing error

With "Space" state having been detected on detection of a stop bit, error takes Space.  
The data are canceled.

(2) Parity error

With an error having been detected under specifying parity check, the data is canceled.

(3) Overrun error

On detection of an overrun error, the data are canceled.

### 7.3.4 Data Receiving Control

If the DTR signal is a "Space", the data can be received from the host side, but if it is a "Mark", the data cannot be received.

### 7.3.5 Buffering

The DTR signal is available as a control signal for transferring the data to the input buffer. (See the page 27, 7.3.1-(2))

- Normal print mode

Capable of buffering the 250-byte data.

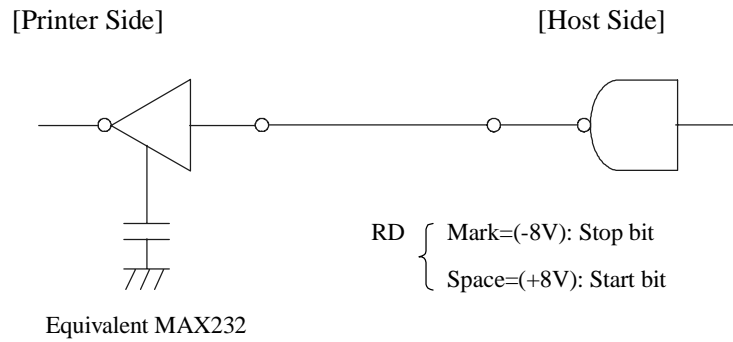
- Repeat print mode

Capable of buffering the 1 k-byte data. If the data exceeds 1 k-byte, the preceding 1 kbyte data will be printed repeatedly.

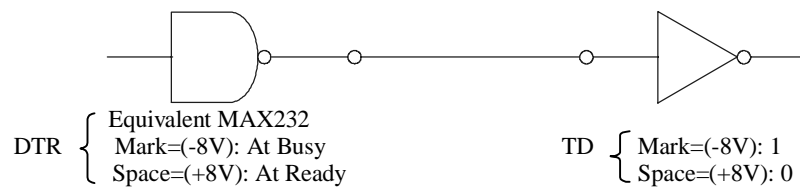
## 7.3.6 Electrical Characteristics

## (1) RS-232C Circuit

## Input (RD, DSR)



## Output (DTR, TD)



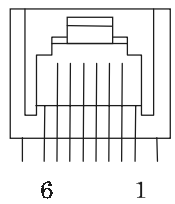
## 8. DRAWER KICK-OUT CONNECTOR AND POWER CONNECTOR

### 8.1 Specifications of Drawer Kick-Out Connector(Optional)

- (1) Drawer kick-out drive signal  
The pulses specified by the BELL command(07h) are output.(Approx. 200 ms)
- (2) Electrical characteristics
  - 1) Drive voltage: 12V DC +/- 1V
  - 2) Drive current: 0.8 A at maximum

#### 8.1.1 Connector's Pin Configuration

No.	Signal	Function
1	FG	Frame Ground
2	DRAWER 1	Drawer drive signal
3	--	
4	VDR	Drawer drive power
5	--	
6	--	



Connector used : TM5RJ3-66(HIROSE) or equivalent  
 Applicable connector : TM3P-66P(HIROSE) or equivalent

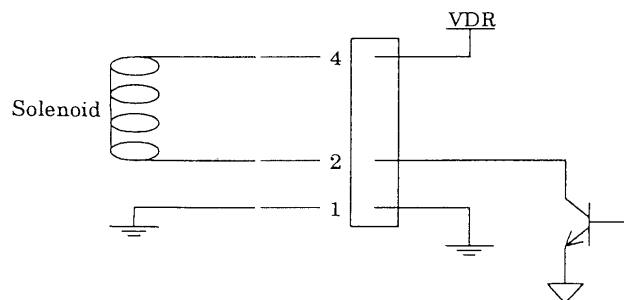


#### CAUTION :

- No output is made while printing.
- A solenoid used for the drawer should be of 15Ω or more. An output current should be kept below 0.8 A. Otherwise, there is a danger of trouble or burnout.
- This connector cannot be connected to a telephone line. Do not connect other than the solenoid.

#### 8.1.2 Drive Circuit

[Printer Side]



## 8.2 Power Supply Connector Specifications

This is a power connector from an exclusive AC adapter.

Connector's Pin Configuration

No.	Function
1	+17V
2	GND

Jack used : HEC0470-01-640(HOSHIDEN) or equivalent

Applicable plug : JXP series Type-A (I.D. 2.45 mm, O.D. 5.5 mm) (HOSHIDEN) or equivalent

- CAUTION:**
- Be sure to use the specified power supply. Use of unspecified one may lead to a trouble or breakage.
  - Do not connect the power supply with different polarities.

## 9. MAINTENANCE AND SERVICE

For the information on maintenance and service, please contact our dealer or at the following address.

Northern America  
CBM America Corporation  
Service Center  
365 Van Ness Way  
Suit 510  
Torrance, CA 90501, U.S.A

TEL +1-310-781-1460  
FAX +1-310-781-9157

Other Areas  
Japan CBM Corporation  
Information Systems Division  
CBM Bldg.,5-68-10 Nakano  
Nakno-ku, Tokyo 164-0001  
Japan

TEL +81-3-5345-7540  
FAX +81-3-5345-7541

## 10. PRINT CONTROL FUNCTIONS

### 10.1 Commands List

Command	Function	Code	P-250		iDP-562		Refer to
			P-200	P-250	40 ch	42 ch	
LF	Line Feed	0AH	○	○	○	○	37
CR	Print	0DH	×	×	○	○	37
FF	Eject Paper	0CH	○	○	○	○	38
CAN	Clear Print Buffer Cancel Character Attribute	18H	○	○	○	○	38
NULL	Pad Character(NOP)	00H	○	○	○	○	39
DC2	Specify Underline	12H	○	○	○	○	39
DC3	Specify the Repeat Print	13H	○	○	○	○	39
FS	Execute P-250 Mode	1CH	○	×	○	×	40
GS	Execute P-200 Mode	1DH	×	○	×	○	40
RS	Set Double Width Character	1EH	○	○	○	○	41
US	Set Normal Width Character	1FH	○	○	○	○	41
SO	Set Double Width Character or specify High Page	0EH	○	○	○	○	42
SI	Set Normal Width Character or Reset Character code	0FH	○	○	○	○	42
BELL	Drawer Kick-out(D-type only)	07H	○	○	○	○	43
ESC a(n);	Set Line Height	1BH61H(n)3BH	○	○	○	○	43
ESC b(n);	Eject Paper by n lines	1BH62H(n)3BH	○	○	○	○	44
ESC c	Initialize	1BH63H	○	○	○	○	44
ESC d	Request Printer Status	1BH64H	×	○	×	○	45
ESC e(n);	Set Right Margin	1BH65H(n)3BH	×	○	×	×	45
ESC f(n);	Set Line Attribute	1BH66H(n)3BH	○	○	○	○	46
ESC g	Graphic Mode Activate	1BH67H	×	×	×	×	–
ESC h(n);	Select Character Set	1BH68H(n)3BH	○	○	○	○	46
ESC i	Identify Printer	1BH69H	×	○	×	×	47
ESC x	Select P-900R Mode	1BH78H	○	○	○	○	47
ESC C n	Set Page Length and Paging	1BH43H n	×	×	○	○	48
ESC O	Cancel Paging	1BH4FH	×	×	○	○	48
ESC * m mn	Specify Bit Image Mode	1BH2AH m n	○	○	○	○	49
ESC Y	Specify the Repeat Print	1BH59H	○	○	○	○	50

\* P-250 represents both P-250 and P-900R modes.

P-250 mode basically equals to P-900R except the printer ID and some status sent to the host from the printer. Refer to the attached “Commands Details”.

\* P-200 represents the P-200 mode.

\* 40ch and 42ch represents useable columns for iDP-562.

\* (n) in the command indicates the character code 30h to 39h.

\* ○: Command enable, ×: Command disable

\* n m in the code indicates the character codes 00h to FFh.

## 10.2 Command Sets

The command sets are set by the setting of the DIP switches and specific commands. The available commands and functions differ depending on each setting.

(1) P-250 command set

There are two kinds of modes: P-200 mode and P-250 mode. If the P-250 command set is set with the DIP switches, the P-200 mode will be effected. The P-250 mode or P-900R mode are available with the P-250 mode or P-900R mode command.

The SI, SO, RS, US, and DC2 command operate differently between the P-200 mode and P-250 mode.

In the P-200 mode, if the 40th character in the line is received, the contents of the buffer will be printed automatically. In the P-250 mode, the default delimits at the 42nd character and printing is performed only after the LF command is received.

(2) iDP562 command set

If started with the iDP562 command set, the default will be 40-column mode. The 42-column mode is effected by the command.

(3) P-900R command mode

Basically, this mode is the same as the P-250 mode. It can be set by a command. With the serial interface, if a paper end error is detected in this mode, "#" will be output as the TD signal every second until the paper end error is reset.

◆ In the 10.3 Commands Details, each mode is represented as follows.

P-200 mode	-----	P-200 mode
P-250 mode	-----	P-250 mode
IDP562 40-column mode	-----	40-column mode
IDP562 42-column mode	-----	42-column mode
P-900R mode	-----	P-900R mode



## 10.3 Commands Details

### 10.3.1 Description of Items

---

**XXXX**

**ALL**

---

[Function]	Command function
[Code]	A row of command constituent code is represented by a hexadecimal number with < >H, a binary number with < >B, and a decimal number with < >. [ ]k means a repeat count of k-times.
[Range]	Describes an argument value(setting range) for the command.
[Outline]	Describes a command outline.
[Caution]	Describes a caution as required.
[Default]	Describes an initial value for the command when accompanied by an argument.
[See Also]	Describes the related commands for use.
[Sample Program]	Describes a coding example in the QUICK BASIC. ◆ This example is only for your reference and differs depending on the language used, version, and so on. For details, see the manual for the language used.
XXXX	Denotes the command.
ALL	Indicates the command sets for which this command is available. <ul style="list-style-type: none"> <li>• ALL : Available for all the command sets.</li> <li>• P-200 : Available in the P-200 mode.</li> <li>• P-250 : Available in the P-250 mode.</li> <li>• P-900R : Available in the P-900R mode.</li> <li>• iDP-562 : Available in the iDP562 40- and 42-column modes.</li> <li>• 40 ch : Available in the iDP562 40-column mode.</li> <li>• 42 ch : Available in the iDP562 42-column mode.</li> </ul>

## 10.3.2 Details

**LF** **ALL**


---

[Function]	Line Feed
[Code]	<0A>H
[Outline]	This command prints the data in the print buffer and feeds the paper by one line. If printing is completed, the command will move a printing position to the left margin and clear the print buffer. This is a standard command to print one line of the text.
[Caution]	In other than the P-250 mode and P-900R mode, this command will be ignored immediately after one-line buffer-full printing. In the P-250 mode and P-900R mode, printing will not be performed until this command is received.
[See Also]	ESC a, ESC b, CR

**CR** **iDP-562**


---

[Function]	Print
[Code]	<0D>H
[Outline]	<ol style="list-style-type: none"> <li>1. When the DSW1-5 are set to ON ; This command is ignore</li> <li>2. When the DSW1-5 are set to OFF ; If there is some data in the print buffer, the command will print the data and feed the line. If not, it will feed the line.</li> </ol>
[Caution]	This command is ignored immediately after one-line buffer-full printing. This command is also ignored in the P-200 mode, P-250 mode, and P-900R mode.
[See Also]	ESC a, ESC b, LF

**FF**

ALL

---

[Function]	Eject Paper
[Code]	<0C>H
[Outline]	<ul style="list-style-type: none"> <li>• P-200 mode, P-250 mode, P-900R mode. This command prints the data in the print buffer and ejects the paper by one inch, regardless of the current setting of line height. This command allows you to view the last line of the text and leaves an adequate margin in order to cut the paper.</li> <li>• 40-column mode, 42-column mode This command prints the data in the print buffer and feeds the paper by one page.</li> </ul>
[Caution]	In the 40- and 42- column modes, note that paper feed is also counted as one page worth of lines.
[See Also]	ESC a, ESC C, ESC O

**CAN**

ALL

---

[Function]	Clear Print Buffer and Cancel Character Attribute
[Code]	<18>H
[Outline]	This command clears the contents of the print buffer without printing and resets the character attribute and other attributes to Inactive or Default.
[Caution]	If the printer has started printing from the print buffer, this command will be ignored.
[See Also]	ESC c

---

**NULL** **ALL**

---

[Function]	Pad character (NOP)
[Code]	<00>H
[Outline]	If this character code is received, it will be ignored without being handled as the data. It has no effect on other command or setting. If it is received as a command accessory code or data, it will have a function.

---

**DC2** **ALL**

---

[Function]	Specify Underline
[Code]	<12>H
[Outline]	This command specifies an underline. It is invalid when the DSW1-6 are set to ON.
[Caution]	This command can be set for each character in the P250 mode and P-900R mode. In the other modes, however, it is to be set for each line.

---

**DC3** **ALL**

---

[Function]	Specify Repeat Print
[Code]	<13H>  ◆ For the details, see the command, "ESC" + "Y"

---

**FS**P-200,40ch

---

[Function]	Execute P-250 Mode/P-900R Mode/iDP-562 42-column Mode
[Code]	<1C>H
[Outline]	This command resets all the attributes, clears the print buffer, and sets the right margin to 42. A subsequent command and printer operation will be of the P-250 mode, P-900R mode or 42-column mode.
[Caution]	If this command is received while printing, the data and attributes so far will be deleted. If this command is set in the P-250 mode, P-900R mode or 42-column mode, it will be ignored.
[Default]	The P-200 mode or 40-column mode is effected immediately after power-on.
[See Also]	GS

---

**GS**P-250,P-900R,42ch

---

[Function]	Execute P-200 Mode/ iDP-562 40-column Mode
[Code]	<1D>H
[Outline]	This command resets all the attributes, clears the print buffer, and sets the right margin to 40. A subsequent command and printer operation will be of the P-200 mode or 40-column mode.
[Caution]	If this command is received while printing, the data and attributes so far will be deleted. If this command is set in the P-200 mode or 40-column mode, it will be ignored.
[Default]	The P-200 mode or 40-column mode is effected immediately after power-on.
[See Also]	FS

---

**RS****ALL**

---

[Function]	Set Double-Width Character
[Code]	<1E>H
[Outline]	<p>This command prints its subsequent characters in double width. If a line has a position only for one character, it will be printed in normal width.</p> <p>This attribute remains valid until the US command(normal-width mode) or CAN command is received.</p> <p>In the P-200 mode, this attribute will be reset to the normal width at the beginning of each line, every time the line is fed.</p>
[See Also]	US, SO, SI

---

**US****ALL**

---

[Function]	Set Normal-Width Character
[Code]	<1F>H
[Outline]	<p>This command resets the double-width character attribute and prints in normal width. The print data received after this command are printed as normal-width characters.</p>
[See Also]	RS, SO, SI

---

**SO****ALL**

---

[Function]	Set Double-Width Character or Specify High Page
[Code]	<0E>H
[Outline]	<ol style="list-style-type: none"> <li>1. Serial interface 7-bit setting High pages are specified in all the modes. If this command is received, the character codes 20H to 7FH are converted into A0H to FFH. This command remains valid until the SI command or CAN command is received.</li> <li>2. Serial interface 8-bit setting and parallel interface This command is ignored in the P-250 mode and P-900R mode. In the other modes, it sets the double-width characters(same as the RS command &lt;1E&gt;H) and prints the characters following the command as double-width characters. If the line has only one character worth of position, printing will be performed in normal width. This attribute remains valid until the SI command(normal width mode) or CAN command is received. In the P-200 mode, this attribute is reset to the normal width at the beginning of each line, every time the line is fed.</li> </ol>
[See Also]	RS, US, SI

---

**SI****ALL**

---

[Function]	Set Normal Width Character or Reset Character Code
[Code]	<0F>H
[Outline]	This command resets the double-width character attribute or high page setting and prints in normal width or normal character code. The print data received after this command is printed in normal width or normal character code.
[Caution]	If double-width character print has been set by the SO command, the same function as the US command will be assumed.
[See Also]	RS, US, SO

**BELL**

ALL

---

[Function]	Drawer Kick-out(D-type only)
[Code]	<07>H
[Outline]	This command outputs a designation signal to the connected drawer connector. The signal is about 200 ms. Designation is made when the solenoid is connected. The command functions even if not connected to the drawer connector, but it is meaningless.
[Caution]	Connect only the specified part to the drawer connector. When this function is activated, the main body or opponent connection element may have trouble or be destroyed. While this command is activated, the printer is stopping. Do not specify this command continuously. It could cause trouble.

**ESC a (n) ;**

ALL

---

[Function]	Set Line Height
[Code]	<1B>H<61>H(n)<3B>H
[Range]	7 ≤ (n) ≤ 255 (<30>H ≤ n ≤ <39>H)
[Outline]	This command defines a height of each print line. A dot line is 1/77 inch. It sets a line feed rate to n/77 inch. A parameter(n) setting range is 7 to 256. If this value is 10, there will be 7.7 lines per inch. A minimum value of 7 assumes about 11 lines per inch, allowing no space between each line. The line is fed in the set condition until re-setting or initialization(ESC c) is made. The initial condition is restored with "ESC a 10;" or an initialization command.
[Caution]	Be sure to add ";"(<3B>H) to the end of the parameter. This does not affect the FF command in the P-200mode, P-250 mode or P-900R mode.
[Default]	A line height for normal characters is 10 dots. [(n) = 10]
[Sample Program]	When setting the line height to n = 20(1/3 inch) ESC a 20 ; → LPRINT CHR\$(&H1B)+"a20;" ; <1B>H<61>H<32>H<30>H<3B>H



---

## ESC b (n) ; ALL

---

[Function]	Eject Paper by n-lines
[Code]	<1B>H<62H>(n)<3B>H
[Range]	1 ≤ (n) ≤ 255 (<30>H ≤ n ≤ <39>H)
[Outline]	This command ejects the paper by n-lines at the specified line height. A length of the ejected paper can be obtained as follows. (Number of lines x Line height)÷77
[Caution]	Be sure to add ";"(<3B>H) to the end of the parameter. If 0 or 256 or more is specified for the parameter, this command will be ignored.
[See Also]	ESC a
[Program Example]	When ejecting the paper by 5 lines ESC b 5 ; → LPRINT CHR\$(&H1B)+"b5;" ; <1B>H<62>H<35>H<3B>H

---

## ESC c ALL

---

[Function]	Initialize
[Code]	<1B>H<63>H
[Outline]	This command clears all the attributes, settings, and modes to initialize.
[Caution]	The data in the input buffer is not cleared.
[See Also]	ESC a

**ESC d**

P-250,P-900R, 42ch

[Function] Request Printer Status

[Code] &lt;1B&gt;H&lt;64&gt;H

[Outline] This command sends the 1-byte status messages shown below in the P-250 mode, P-900R mode, and 42-column mode. This command is valid only for the serial interface.

Bit	Code	Function	Value	
			0	1
0	L	Paper end	With paper	Without paper
1	X	Not defined		
2	X	Not defined		
3	X	Not defined		
4	X	Not defined		
5	1	Not defined	--	Fixed at 1
6	F	Mechanical error	Without error	With error
7	P	Parity	--	--

[Caution] This command is ignored for the parallel interface, and in the P-200 mode and 40-column mode. If the paper runs out or there is a mechanical error, the data may not be received.

[See Also] ESC a

**ESC e (n) ;**

P-250,P-900R

[Function] Set Right Margin

[Code] &lt;1B&gt;H&lt;65H&gt;(n)&lt;3B&gt;H

[Range]  $1 \leq (n) \leq 42$  (<30>H  $\leq n \leq$  <39>H)

[Outline] In the P-250 mode and P-900R mode, this command controls whether the characters should be printed or at which position of the line they should be printed. If the parameter is set between 1 and 42, the printer will print automatically when the n-th printable character is received. If the parameter is set beyond these limits, this command will be ignored.

[Caution] Be sure to add ";"(&lt;3B&gt;H) to the end of the parameter. The command is ignored in other than the P-250 mode and P-900R mode.

[Default] The characters are printed after the LF command is received in the 42-column mode.

[Sample Program] When setting the right margin to 10  
ESC e 10; → LPRINT CHR\$(&H1B)+&H10;" ;  
<1B>H<65>H<31>H<30>H<3B>H

**ESC f (n) ;**

ALL

[Function] Select Line Attribute

[Code] &lt;1B&gt;H&lt;66H&gt;(n)&lt;3B&gt;H

[Range]  $0 \leq (n) \leq 3$  (<30>H  $\leq n \leq$  <33>H)

[Outline] This command is used to select the attribute required to be applied to the entire line at one time. In combination with the double-width command (SO, RS), it can print quadruple-width characters.

n	Function
0	Normal characters
1	Double-height characters

◆ n = 2 or 3 has not been defined.

[Caution] Be sure to add ";"(&lt;3B&gt;H) to the end of the parameter.

[Default] n = 0

[See Also] SO, SI, RS, US

**ESC h (n) ;**

ALL

[Function] Select Character Set

[Code] &lt;1B&gt;H&lt;68H&gt;(n)&lt;3B&gt;H

[Range]  $0 \leq (n) \leq 10$  (<30>H  $\leq n \leq$  <39>H)

[Outline] This command selects the character sets of the countries listed below, depending on the n-value.

n	Function	n	Function
0	U.S.A.	6	Italy
1	France	7	Spain
2	Germany	8	Japan
3	U.K.	9	Norway
4	Denmark I	10	Denmark II
5	Sweden		

[Caution] Be sure to add ";"(&lt;3B&gt;H) to the end of the parameter. As shown separately, the character sets replace part of characters. If the n-value is specified beyond the limits, this command will be ignored.

[Default] n = 0

[See Also] 11.3 International Character Codes Table

[Sample Program] When setting the character sets to Japan  
ESC h 8 ; → LPRINT CHR\$(&H1B)+&H8;" ;  
<1B>H<68>H<38>H<3B>H

**ESC i**

P-250,P-900R

---

[Function]	Identify Printer
[Code]	<1B>H<69>H
[Outline]	This command sends a printer identification code by 1 byte. It sends "A"(<41>H) in the P-250 mode and "H"(<48>H) in the P-900R mode.
[Caution]	This command is available only serial interface in the P-250 mode and P-900R mode.

**ESC x**

ALL

---

[Function]	Select P-900R Mode
[Code]	<1B>H<78>H
[Outline]	The command or function following this command works as the P-900R mode.
[Caution]	This command can be canceled by the FS, GS, or ESC c command.
[See Also]	FS, GS, ESC c
	Differences from P-250 mode
	* If the paper end is detected with the serial interface, "#"(<23>H) will be sent every second. If the paper end error is reset, sending will stop.
	* With the ESC i command(Identify Printer), the one-byte transmitted character will be "H"(<48>H).

**ESC C n**

iDP-562

---

[Function]	Specify Page Length and Paging
[Code]	<1B>H<43H>(n)
[Range]	14 ≤(n) ≤140 (<30>H ≤ n ≤<39>H)
[Outline]	This command specifies a length of one page, which is determined by the number of lines. If the set number of lines is exceeded, this command will be ignored. The paper is fed by 3 lines immediately after specifying this command. This setting blanks the first and last three lines of the page (six blank lines in total). If n = 20 is set, the number of printable lines will be 14.
[Caution]	This command is ignored in the P-200 mode, P-250 mode, and P-900R mode.
[Default]	n = 66(66 lines per page)
[See Also]	ESC 0, FF
[Sample Program]	When setting the number of lines per page to 80 ESC C 80 → LPRINT CHR\$(&H1B)+"C"+CHR\$(80); <1B>H<43>H<50>H

**ESC O**

iDP-562

---

[Function]	Cancel paging
[Code]	<1B>H<4F>H
[Outline]	Cancels paging operation. Normally, the first and last lines of each page are left blank. If this command is specified, however, those lines can be used as printable lines.
[Caution]	This command is ignored in the P-200 mode, P-250 mode, and P-900R mode.
[See Also]	ESC C, FF

**ESC \* m n1 n2 [d] k**

ALL

[Function] Specify Bit Image Mode

[Code] &lt;1B&gt;H&lt;2A&gt;H&lt;m&gt;&lt;n1&gt;&lt;n2&gt;[&lt;d&gt;]k

[Range] m = 0, 1  
 $0 \leq n1 \leq 252$   
 $n2 = 0$   
 $0 \leq d \leq 255$   
 $k = n1 + 256 \times n2$

[Outline] This command specifies the bit image of the m-mode as to the numbers of dots specified with n1 and n2.

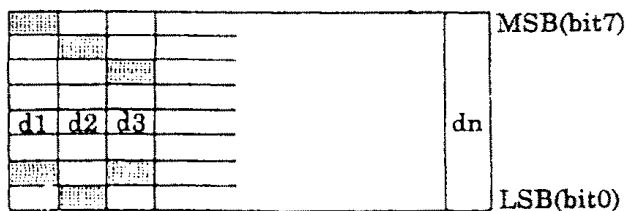
- Divide the number of dots printed by 256 and assume a quotient to be n2 and a remainder to be n1. Therefore, the number of horizontal dots will be  $n1 + 256 \times n2$ .
- If the bit image data is input beyond the number of dots printable in one line, the surplus data will be discarded.
- d denotes the bit image data. Set "1" in the corresponding bit to print, and "0" not to print.
- The following table lists the bit image modes selected by m.

m	Mode	Vertical Direction		Horizontal Direction	
		Dots	Dot Density	Dot Density	Max. Dots
0	8-dot single density	8	77DPI	50DPI	120 126
1	8-dot double density	8	77DPI	101DPI	240 252

- ◆ The upper figure in the Max. Dots column is for the P-200 mode or 40-column mode, and the lower figure is for the P250 mode, P-900R mode, or 42-column mode, respectively.

[Caution] If the m-value is beyond the limits, the data after n1 will be processed as normal data. Normal data processing is restored after printing the bit image.

[Sample Program] LPRINT CHR\$(&H1B)+"\*" +CHR\$(0)+CHR\$(10)+CHR\$(0);  
 LPRINT CHR\$(&H81)+CHR\$(H42)+CHR\$(&H24)+CHR\$(&H18);  
 LPRINT CHR\$(&H18)+CHR\$(&H24)+CHR\$(&H42)+CHR\$(&H81);  
 LPRINT CHR\$(&HC8)+CHR\$(&H8F);

**Print Results**

Single dinsity

Double dinsity

---

**ESC Y****ALL**

---

[Function]	Specify Repeat Print
[Code]	<1B>H<59>H
[Outline]	<p>If this command is executed, the contents of the buffer will be printed according to the repeat print mode set with the DIP switches. The buffer is cleared after reprinting.</p> <ul style="list-style-type: none"><li>• Repeat print mode (DSW1-7: ON, DSW1-8: OFF) If the command is received after printing, the data will be reprinted.</li><li>• Command/switch repeat print mode 2 (DSW1-7: OFF, DSW1-8: ON) If the command is received, the data will all be printed, and 2 seconds later, it will be reprinted. If this command is not received, the data will not be reprinted.</li><li>• Command/switch repeat print mode 1 (DSW1-7, DSW1-8: OFF) If the command is received, the data will all be printed, and 10 seconds later, it will be reprinted. If this command is not received, the data will not be reprinted.</li></ul>
[Caution]	<p>If the data exceeds 1KB, this command will reprint the preceding 1KB data. If this command is not received during printing, it will be ignored. This command is ignored in the normal print mode (DSW1-7, DSW1-8: ON) The DC3 (&lt;13&gt;H) command assumes the same operation.</p>
[See Also]	Pages 20, 5.3 Repeat Print Setting

## 11. CHARACTER CODES TABLE

### 11.1 P-250, P-900R mode

	0	1	2	3	4	5	6	7	8	9	A	B	C	D	E	F
0	<sup>W</sup> V <sub>L</sub>		<sup>S</sup> P	0	@	P	`	p	--	—		°	À	Ð	à	ø
1			!	1	A	Q	a	q			i	±	Á	Ñ	á	ñ
2		<sup>D</sup> C <sub>2</sub>	"	2	B	R	b	r	¡	‡	ç	<sup>2</sup>	À	ò	á	ò
3			#	3	C	S	c	s	¡	‡	£	<sup>3</sup>	Ā	ó	ā	ó
4			\$	4	D	T	d	t	⌊	⌋	¤	'	Ä	ö	ä	ö
5			%	5	E	U	e	u	⌊	⌋	¥	μ	À	ö	ä	ö
6			&	6	F	V	f	v	¡	‡		¶	Æ	ö	æ	ö
7	<sup>B</sup> E <sub>L</sub>		'	7	G	W	g	w	¡	‡	§	·	ç	œ	ç	œ
8		<sup>C</sup> A <sub>N</sub>	(	8	H	X	h	x	⌊	⌋	¨	,	È	Ø	è	ø
9			)	9	I	Y	i	y	⌊	⌋	θ	'	É	ù	é	ù
A	<sup>L</sup> F		*	:	J	Z	j	z	⌊	⌋	à	ó	É	ú	é	ú
B		<sup>E</sup> S <sub>C</sub>	+	;	K	[	k	{	<sup>1</sup>	<sup>6</sup>	«	»	È	ù	ë	ù
C	<sup>F</sup> F	<sup>F</sup> S	,	<	L	\	l		<sup>2</sup>	<sup>7</sup>	⌊	¼	İ	ü	ı	ü
D	<sup>C</sup> R	<sup>G</sup> S	-	=	M	]	m	}	<sup>3</sup>	<sup>8</sup>	⌊	½	İ	ý	ı	ü
E	<sup>S</sup> O	<sup>R</sup> S	.	>	N	`	n	~	<sup>4</sup>	<sup>9</sup>	⊙	¾	İ	þ	ı	ü
F	<sup>S</sup> I	<sup>U</sup> S	/	?	O	_	o	⊗	<sup>5</sup>	<sup>10</sup>	-	ı	İ	ß	ı	ü



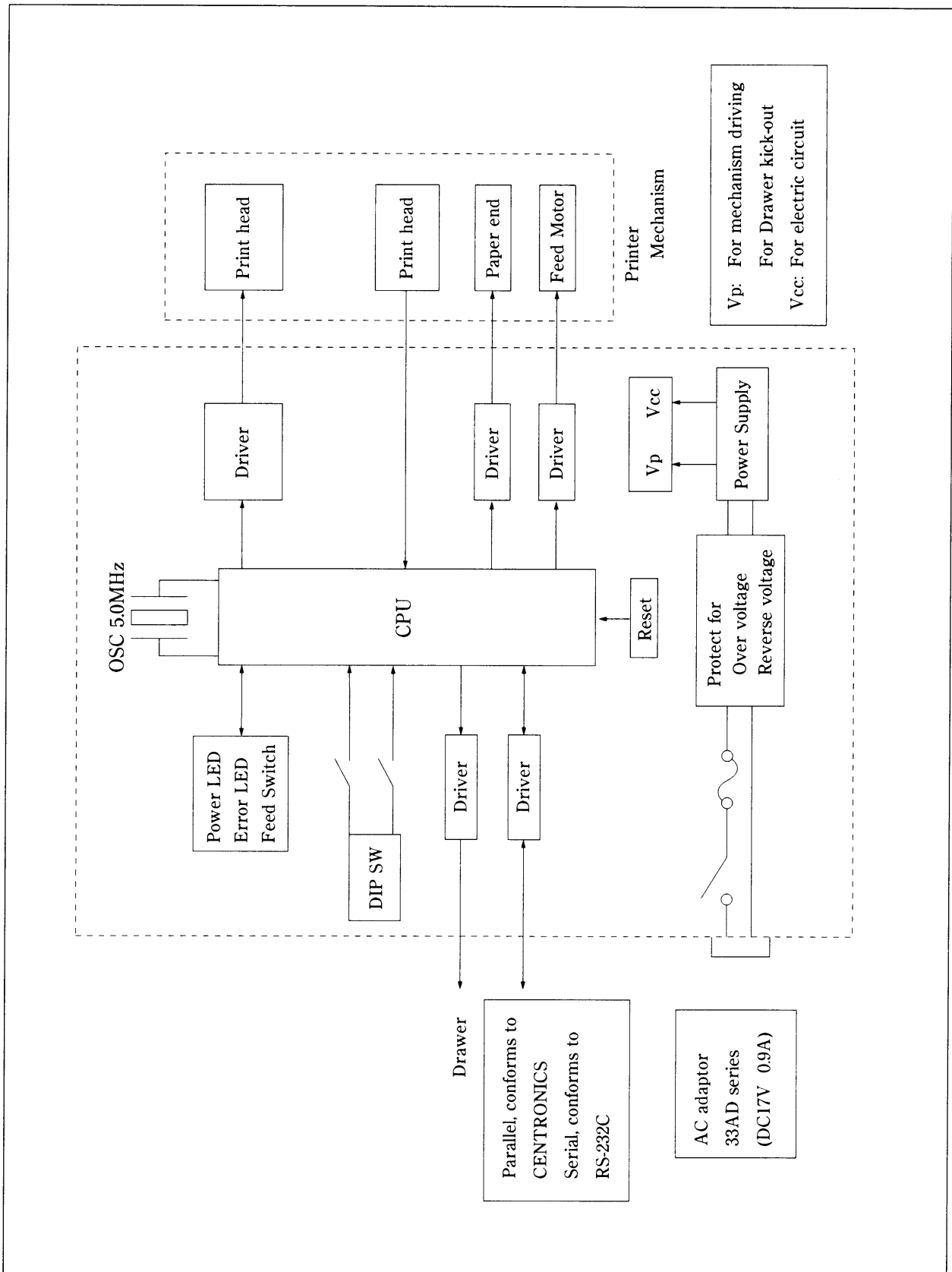
11.2 iDP-562 mode

	0	1	2	3	4	5	6	7	8	9	A	B	C	D	E	F
0	<sup>W</sup> U <sub>L</sub>		<sup>S</sup> P	0	@	P	`	p	_	=	α	ρ	↑	'	—	—
1			!	1	A	Q	a	q	_	π	β	σ	↓	2		
2		<sup>D</sup> C <sub>2</sub>	"	2	B	R	b	r	_	#	τ	τ	←	3	└	└
3		<sup>D</sup> C <sub>3</sub>	#	3	C	S	c	s	■	‡	δ	υ	→	4	└	└
4			\$	4	D	T	d	t	■	▲	ε	φ	±	5	└	└
5			%	5	E	U	e	u	■	▲	ζ	χ	≠	6	└	└
6			&	6	F	V	f	v	■	▼	η	φ	≥	7	└	└
7	<sup>B</sup> E <sub>L</sub>		'	7	G	W	g	w	■	▼	θ	ω	≤	8	└	└
8		<sup>C</sup> A <sub>N</sub>	(	8	H	X	h	x		♠	ι	Δ	≈	9	└	└
9			)	9	I	Y	i	y		♥	κ	Γ	·	(	└	└
A	<sup>C</sup> r		*	:	J	Z	j	z		♦	λ	Σ	⊗	)	└	└
B		<sup>E</sup> S <sub>C</sub>	+	;	K	[	k	{		♣	μ	Λ	∞	+	└	└
C	<sup>F</sup> r	<sup>F</sup> s	.	<	L	\	l			●	ν	Ω	∴	~	└	└
D	<sup>C</sup> r	<sup>G</sup> s	-	=	M	]	m	}	■	○	ξ	φ	½	·	└	└
E	<sup>S</sup> o	<sup>R</sup> s	.	>	N	`	n	~	■	/	ο	√	¼	*	└	└
F	<sup>S</sup> i	<sup>U</sup> s	/	?	O	_	o	⊗	+	\	π	σ	°	/	└	└

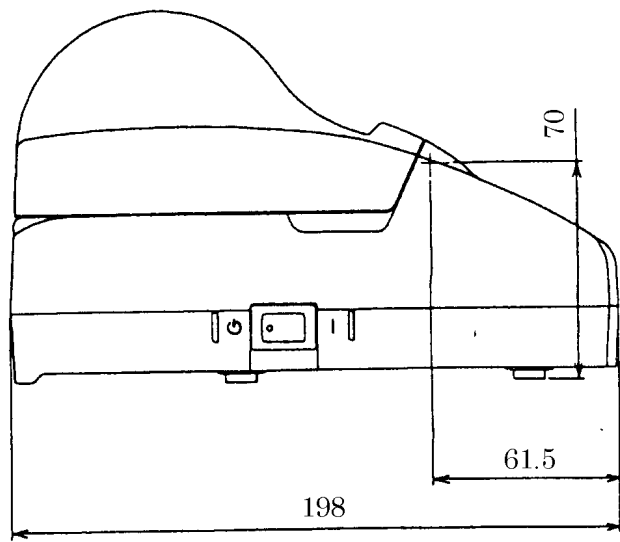
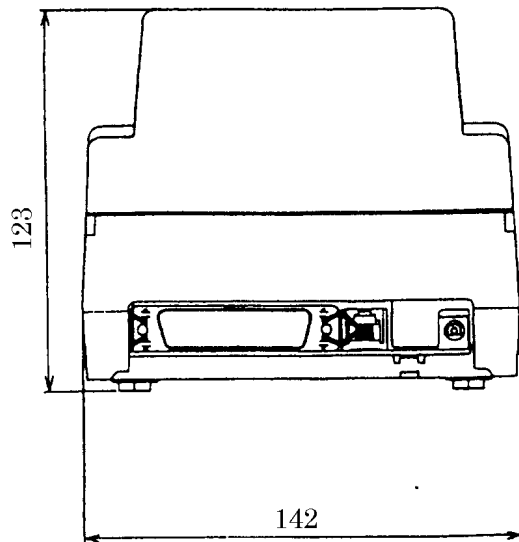
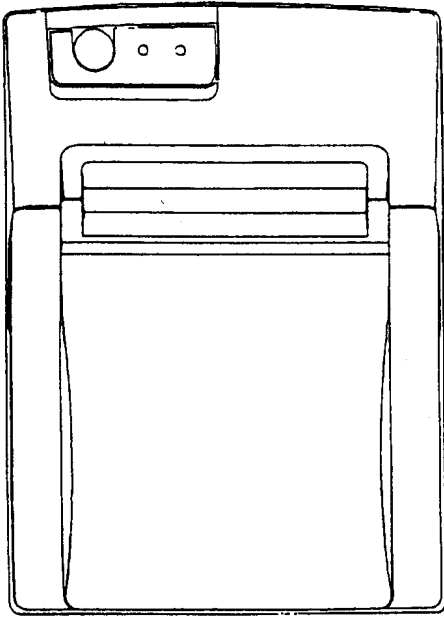
### 11.3 International Character Codes Table(All Common)

Country	23	24	40	5B	5C	5D	5E	60	7B	7C	7D	7E
U.S.A.	#	\$	@	[	\	]	^	`	{		}	~
France	#	\$	à	°	ç	§	^	`	é	ù	è	¨
Germany	#	\$	§	Ä	Ö	Ü	^	`	ä	ö	ü	ß
U.K.	£	\$	@	[	\	]	^	`	{		}	~
Denmark I	#	\$	@	Æ	Ø	Å	^	`	æ	ø	å	~
Sweden	#	ⱥ	É	Ä	Ö	Å	Ü	é	ä	ö	å	ü
Italy	#	\$	@	°	\	é	^	ù	à	ò	è	ì
Spain	₠	\$	@	í	Ñ	¿	^	`	¨	ñ	}	~
Japan	#	\$	@	[	¥	]	^	`	{		}	~
Norway	#	ⱥ	É	Æ	Ø	Å	Ü	é	æ	ø	å	ü
Denmark II	#	\$	É	Æ	Ø	Å	Ü	é	æ	ø	å	ü

## APPENDIX 1. BLOCK DIAGRAM



## APPENDIX 2. OUTER DIMENTION



**<<< German >>>**

## <Vorsichtsmaßnahmen>

1. Vor der Verwendung des Gerätes immer die Bedienungsanleitung gründlich durchlesen. Die Bedienungsanleitung griffbereit zum Nachschlagen aufbewahren.
2. Änderungen im Inhalt dieser Bedienungsanleitung bleiben vorbehalten.
3. Nachdruck oder Vervielfältigung dieser Bedienungsanleitung oder von Teilen davon ohne ausdrückliche Genehmigung des Herausgebers ist streng verboten.
4. Auf keinen Fall Wartungs-, Demontage- oder Reparaturarbeiten ausführen, die nicht ausdrücklich in dieser Bedienungsanleitung beschrieben sind.
5. Wir übernehmen keine Verantwortung für Schäden, die durch falsche Bedienung oder Betrieb in falschen Betriebsumgebungen verursacht werden.
6. Keine Arbeiten ausführen, die nicht ausdrücklich in dieser Bedienungsanleitung beschrieben sind. Durch unsachgemäße Arbeiten können Unfälle und Schäden am Gerät verursacht werden.
7. Da Daten im Prinzip flüchtig sind, ist langzeitige und permanente Speicherung von Daten nicht möglich. Nehmen Sie bitte zur Kenntnis, daß der Hersteller nicht für Verluste oder finanzielle Einbußen verantwortlich ist, die durch Löschen von Daten aufgrund von Gerätestörungen, Reparaturen, Inspektionen etc. verursacht werden.
8. Falls bezüglich dieser Anleitung Fragen bestehen, Fehler vorgefunden werden, oder Erklärungen fehlen, wenden Sie sich bitte an uns.
9. Beachten, daß ungeachtet der Erklärung in Punkt 8 der Hersteller keine Verantwortung für etwa Folgeverluste übernehmen kann, die durch den Betrieb dieses Geräts entstehen.

## ZU BEACHTENDE SICHERHEITSMASSREGELN

Zur Vermeidung von Gefahren gegenüber dem Bediener und anderen Personen und Sachschäden sind die folgenden Vorsichtsmaßnahmen unbedingt zu beachten.

- Der folgende Text beschreibt das Ausmaß der Gefahren und potentiellen Sachschäden, die durch eine Mißachtung der Bedienungshinweise oder durch die unsachgemäße Handhabung des Geräts entstehen können.



### **WARNUNG**

Die Mißachtung dieser Vorsichtsmaßregel kann zu Körperverletzungen mit möglicher Todesfolge führen.



### **VORSICHT**

Die Mißachtung dieser Vorsichtsmaßregel kann zu Körperverletzungen oder Sachschäden führen.



Dieses Symbol ruft den Bediener zu erhöhter Wachsamkeit auf.



Dieses Symbol weist auf wichtige Informationen, wie z.B. Bedienungsschritte oder dergleichen, hin.


**WARNUNG**

- Beim Betrieb des Geräts sind die nachfolgenden Vorsichtsmaßnahmen unbedingt zu beachten. Eine Mißachtung dieser Hinweise kann zu Schäden, Funktionsstörungen, Rauchentwicklung und Brandgefahr durch Überhitzen und zu elektrischen Schlägen führen.  
Der fortgesetzte Betrieb des Geräts in anormalem Zustand, wie z.B. nach einer Beschädigung, kann Funktionsstörungen, Rauchentwicklung, fremde Gerüche/Geräusche und Brände verursachen. Bei anormalem Betriebszustand das Gerät sofort ausschalten und an einen Fachhändler wenden. Niemals versuchen, das Gerät eigenhändig zu reparieren, um ernsthafte Gefahren zu vermeiden.
- Das Gerät vor starken Stößen und Erschütterungen, wie z.B. Tritte, Stampfen, Schläge, Herunterfallen usw., schützen.
- Das Gerät an einem gut belüfteten Platz aufstellen, und darauf achten, die Belüftungsöffnung nicht zu blockieren.
- Bei der Aufstellung des Geräts Plätze vermeiden, an denen chemische Reaktionen auftreten, wie z.B. in einem Labor, sowie Plätze mit salz- oder gashaltiger Umgebungsluft.
- Netz- und Datenkabel niemals am Kabel haltend anschließen oder abziehen. Bei Betrieb, Verrücken oder Tragen des Geräts darauf achten, daß die Kabel keiner Gewalteinwirkung ausgesetzt sind.
- Darauf achten, daß keine Fremdkörper, wie z.B. Nadeln oder Büroklammern, in das Gerät gelangen.
- Darauf achten, keine Flüssigkeiten auf dem Gerät zu vergießen oder chemische Substanzen enthaltende Sprays darüber zu versprühen. Bei versehentlichem Naßwerden das Gerät sofort ausschalten, das Stromanschlußkabel abziehen, das Netzkabel von der Steckdose trennen usw. und an einen Fachhändler wenden.
- Das Gerät niemals eigenhändig zerlegen oder modifizieren. Eine Mißachtung dieser Vorsichtsmaßregel kann zu Bränden und elektrischen Schlägen führen.
- Das Netzteil bei versehentlichem Herunterfallen sofort von der Steckdose trennen und sich an einen Fachhändler wenden. Der fortgesetzte Betrieb in diesem Zustand kann Brände und elektrische Schläge verursachen.
- Sollte unbeabsichtigt Wasser in das Gerät eindringen, sofort den Netzstecker abziehen und an einen Fachhändler wenden. Der fortgesetzte Betrieb in diesem Zustand kann zu Bränden und elektrischen Schlägen führen.
- Das Gerät ausschließlich mit der vorgeschriebenen Netzspannung betreiben. Eine Mißachtung dieser Vorsichtsmaßregel kann Brände, elektrische Schläge und Funktionsstörungen verursachen.
- Das Kabel des Netzteils niemals beschädigen, knicken, modifizieren, biegen, verdrehen, bündeln oder gewaltsam daran ziehen. Das Kabel darüber hinaus von Wärmequellen fernhalten und keine schweren Gegenstände darauf stellen. Ein beschädigtes Netzteil kann Brände, elektrische Schläge und Funktionsstörungen verursachen.
- Wenden Sie sich bei einer Beschädigung des Netzteilkabels bitte an unsere Kundendienstvertretung.
- Das Netzteil niemals mit nassen Händen anschließen oder trennen. Hierdurch können Brände, elektrische Schläge und sonstige Probleme entstehen.
- Verpackungsbeutel sind vorschriftsgemäß zu entsorgen oder ansonsten von Kindern fernzuhalten. Kleinkinder können durch Überstreifen eines Plastikbeutels ersticken.





## VORSICHTSMASSREGELN FÜR DIE AUFSTELLUNG

- Das Gerät nicht an Plätzen abstellen oder betreiben, an denen es Feuer, Feuchtigkeit oder direkter Sonnenbestrahlung ausgesetzt ist. Ebenso sind Plätze in der Nähe von Heizkörpern und sonstigen Wärmequellen zu vermeiden, an denen Umgebungstemperatur und Luftfeuchtigkeit nicht den vorgeschriebenen Betriebsbedingungen entsprechen, sowie Plätze, an denen das Gerät Öl, Metallspänen oder Staub ausgesetzt ist. Andernfalls können Funktionsstörungen sowie Rauch- und Brandentwicklung die Folge sein.
- Bei der Aufstellung des Geräts Plätze vermeiden, an denen chemische Reaktionen auftreten, wie z.B. in einem Labor, sowie Plätze mit salz- oder gashaltiger Umgebungsluft. Hierbei besteht die Gefahr von Bränden und elektrischen Schlägen.
- Keine schweren Gegenstände auf den Drucker stellen, um mögliche Probleme zu vermeiden.
- Das Gerät nicht in der Nähe eines Radios oder Fernsehers verwenden und nicht zusammen mit einem Radio oder Fernseher an die gleiche Steckdose anschließen. Hierdurch können Empfangsstörungen auftreten.
- Das Gerät ausschließlich mit der vorgeschriebenen Netzspannung und -frequenz betreiben. Eine Mißachtung dieser Vorsichtsmaßregel kann Brände, elektrische Schläge und Funktionsstörungen verursachen.
- Vergewissern, daß die für den Anschluß des Netzkabels verwendete Steckdose über eine ausreichende Kapazität verfügt.
- Darauf achten, eine einzelne Steckdose nicht durch den Anschluß des Netzkabels zu überlasten. Andernfalls können Brände und Stromausfälle die Folge sein. Darüber hinaus nicht fest auf das Netzkabel treten oder schwere Gegenstände darauf abstellen.
- Erdungskabel niemals an ein Gasrohr anschließen, da hierbei Explosionsgefahr besteht. Vor dem Anschließen oder Trennen eines Erdungskabels unbedingt zuerst den Netzstecker aus der Steckdose ziehen.
- Beim Anschließen oder Trennen der Kabel zuerst die Netzversorgung ausschalten, einschließlich der angeschlossenen Seite, und dann an Stecker und Steckdose haltend anschließen bzw. trennen. Bei einem Transport des Geräts darauf achten, daß das Kabel keinem Zug ausgesetzt ist.
- Steckerkabel sind fest anzuschließen. Durch Anschluß mit umgekehrter Polarität können Innenbauteile oder Paßflächen beschädigt werden.
- Für Datensignalleitungen abgeschirmte Kabel oder verzwirbelte Doppeladerkabel verwenden, um Rauschstörungen möglichst gering zu halten. Der Anschluß an ein Rauschstörungen erzeugendes Gerät ist zu vermeiden.
- Falls ein Geldschubladen-Ausschubmechanismusstecker vorhanden ist, sollten keine anderen Vorrichtungen, die nicht den vorgeschriebenen Solenoidspezifikationen entsprechen, angeschlossen werden. Eine Mißachtung dieser Vorsichtsmaßregel kann zu Fehlfunktionen führen.
- Das Gerät an einem Platz in der Nähe einer Steckdose betreiben, wo sich der Netzstecker zum Unterbrechen der Stromversorgung jederzeit schnell und mühelos abziehen läßt.
- Das Netzkabel aus der Steckdose ziehen, wenn das Gerät längere Zeit lang nicht benutzt werden soll.
- Vor einem Transport die Papierrolle aus dem Gerät herausnehmen.
- Das Gerät auf einer ebenen, stabilen Tischplatte an einem gut belüfteten Platz und frei von Erschütterungen aufstellen. (Darauf achten, die Belüftungsöffnung nicht zu blockieren.)



## VORSICHTSSMASSREGELN ZUM BETRIEB

Die folgenden Verfahren nicht ausführen, da sie zu Schäden führen können.

- Nicht eine andere als die vorgeschriebene Betriebsstromstufe verwenden.
- Kein Form ulardrucken ausführen, wenn kein Aufzeichnungspapier eingelegt ist; dadurch könnte der Druckkopf beschädigt werden.
- Keine Fremdkörper wie Papierclips, Sicherheitsnadeln etc. in den Drucker fallenlassen.
- Keine Getränke oder chemische Flüssigkeiten in die Druckereinheiten schütten.
- Das Gerät vor starken Erschütterungen oder Stößen schützen. Nicht darauf treten, es fallenlassen oder gegen harte Gegenstände anstoßen lassen.
- Das Bedienfeld nicht mit spitzen Gegenstände wie der Spitze von Kugelschreibern etc. betätigen.
- Kein Papier bedrucken, das mit Klebefilm etc. zusammengeklebt ist.
- Niemals das Papier gewaltsam mit der Hand ziehen. Auch darauf achten, das Papier beim Öffnen/Schließen nicht im Drucker einzuklemmen.

Zum Vermeiden von Verletzungen oder Sachshäden

- Berühren Sie den Druckteil des Druckkopfes, des Motor oder das Papierschneidemesser nicht. Es besteht die Gefahr von Verbrennungen oder Schnittverletzungen an der Hand.
- Während des Betriebs keine beweglichen Teile wie Zahnräder etc. oder elektrische Teile im Drucker berühren. Teile können heiß sein, und es besteht die Gefahr von Verbrennungen und anderen Unfällen.
- Darauf achten, sich nicht an scharfen Kanten von Metallteilen im Inneren des Geräts zu verletzen.
- Wenn anormale Erscheinungen beim Betrieb auftreten, sofort den Drucker stoppen und den Netzstecker abziehen.
- Wenn das Gerät ausfällt, nicht versuchen, es selber zu zerlegen.  
Reparaturen müssen immer von qualifiziertem Fachpersonal ausgeführt werden.
- Beim Öffnen/Schließen der Abdeckung usw. Darauf achten, nicht die Hände oder Finger einzuklemmen.

## NORMALE WARTUNG

- Sicherstellen, daß vor allen Wartungsarbeiten das Gerät AUSGESCHALTET ist.
- Beim Reinigen der Oberfläche des Gehäuses einen weichen, trockenen Lappen verwenden. Bei hartnäckigen Verschmutzungen den Lappen anfeuchten und auswringen. Auf keinen Fall flüchtige organische Lösungsmittel wie Terpentin, Trichlen, Benzol oder Keton verwenden, oder chemisch imprägnierte Reinigungslappen.
- Wenn der Druckkopf durch Papierstaub verschmutzt ist, mit einer weichen Bürste reinigen.



- ACHTUNG :**
- Die Wartung nicht direkt nach dem Drucken ausführen, da Druckkopf und Motor sich beim Betrieb stark erhitzen.
  - Nicht die Oberfläche des Heizkopfs mit der bloßen Hand oder einem Metallgegenstand berühren.

## 4. VORBEREITUNG

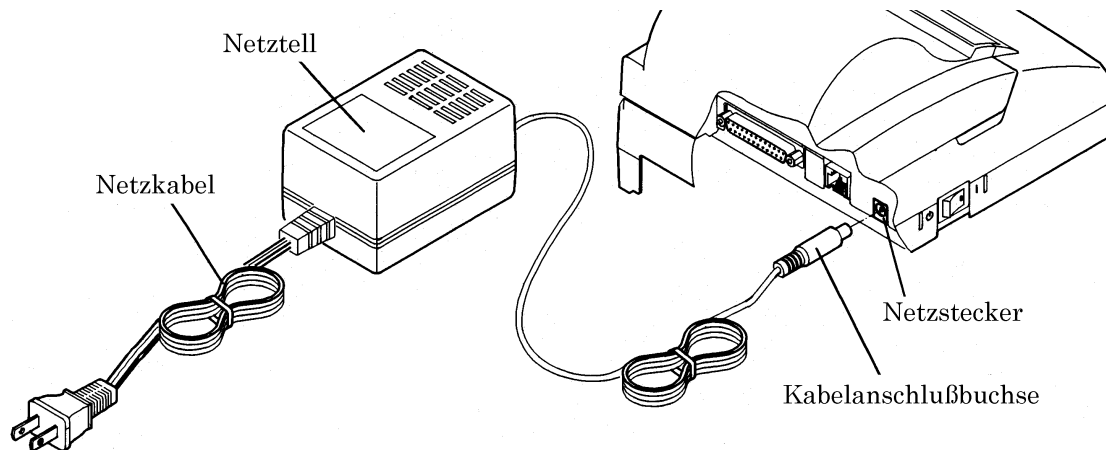
### 4.1 Anschluß des Netzteils

- (1) Den Drucker mit dem Netzschalter ausschalten.
- (2) Die Kabelanschlußbuchse des Netzteils an die Buchse an der Rückseite des Druckers anschließen.
- (3) Das Netzkabel des Netzteils an eine Wandsteckdose anschließen.



**VORSICHT :** • Ausschließlich das mitgelieferte Netzteil verwenden.

- Beim Abziehen des Netzsteckers immer am Stecker und nicht am Kabel ziehen. Durch Ziehen am Kabel könnte dieses beschädigt werden, was zum Zerreißen der Adern, Bränden oder elektrischen Schlägen führen kann.
- Bei einem Gewitter immer den Netzstecker abziehen das Gerät nicht verwenden. Bei Blitzeinschlag können starke Spannungsschwankungen auftreten, die bei angeschlossenem Gerät zu Bränden oder elektrischen Schlägen führen könnten.
- Das Netzkabel nicht in der Nähe von Heizkörpern verlegen. Die Ummantlung des Kabels könnte schmelzen, was zu Bränden oder elektrischen Schlägen führen kann.
- Wenn das Gerät längere Zeit über nicht verwendet werden soll, immer aus Sicherheitsgründen den Netzstecker abziehen.
- Das Netzteil zur Vermeidung von Störungen nicht zusammen mit anderen Geräten an die gleiche Steckdose anschließen.
- Nicht das mitgelieferte Netzteil für andere Geräte oder Anwendungen verwenden.



## 4.2 Anschluß des Schnittstellenkabels

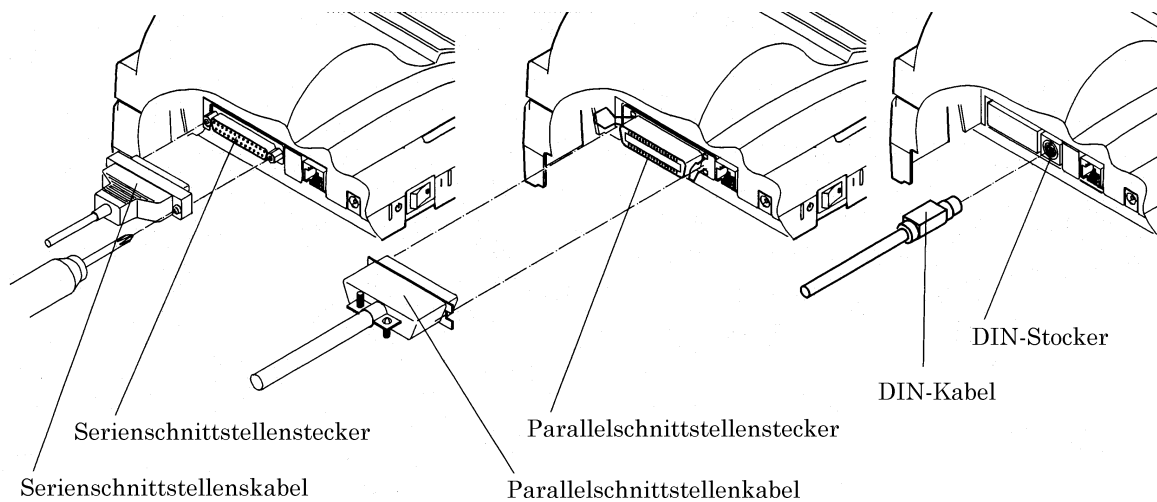
- (1) Den Drucker (einschließlich angeschlossene Geräte) ausschalten.
- (2) Den Kabelanschlußstecker vertikal ausgerichtet an die Schnittstellenbuchse anschließen.
- (3) Den Kabelanschlußstecker vertikal ausgerichtet an die Schnittstellenbuchse anschließen.

Serienschnittstelle : Die Schrauben festziehen.

Parallelschnittstell : Den Anschlag in Pfeilrichtung drehen.

DIN-Minischschnittstell : Bis zum Einrasten einschieben.

- (4) Ein zugeordnetes Gerät an den Computer (Hauptrechner) anschließen usw.



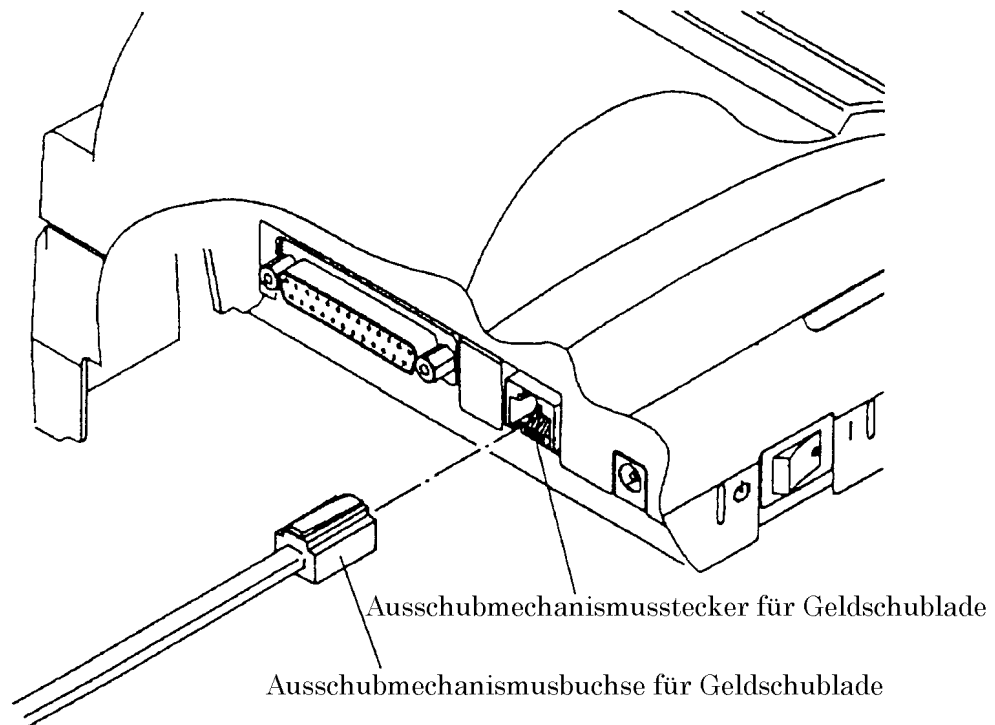
### 4.3 Anschluß des Ausschubmechanismussteckers der Geldschublade

- (1) Den Drucker mit dem Netzschalter ausschalten.
- (2) Den Ausschubmechanismus-Kabelstecker vertikal ausgerichtet in die Geldschublade Ausschubmechanismusbuchse an der Rückseite des Druckers einstecken.



**VORSICHT :** • Keine anderen Vorrichtungen (wie z.B. eine Telefonleitung) als die dazugehörige Geldschublade an die Schublade-Ausschubmechanismusbuchse anschließen.

Solenoid-Nennspannung: 12V DC +/- 1 V / 0.8 A Strom (Max)



#### 4.4 Einlegen des Druckpapiers (Rolle)



**VORSICHT :** • Ausschließlich das vorgeschriebene Druckpapier verwenden. Die Verwendung anderer Papiersorten kann zur Minderung der Druckqualität und zu reduzierter Betriebslebensdauer des Druckers führen.

- (1) Mit den Händen in die Aussparungen an beiden Seiten der Druckabdeckung greifen und die Abdeckung bis zum Anschlag öffnen.
- (2) Das Ende des Druckpapiers in nahezu rechtem Winkel abschneiden.



**VORSICHT :** • Die Druckerabdeckung ist nicht abnehmbar und sollte deshalb nicht über den Anschlag hinaus aufgeklappt werden. Beim Einführen des Druckpapiers darauf achten, daß das Papierende nicht zerknittert oder geknickt ist.

Richtig

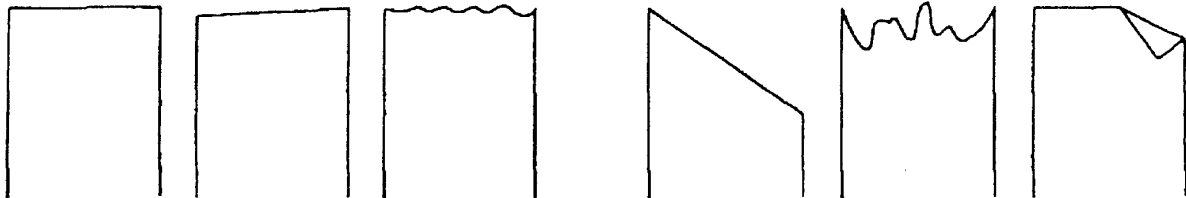
Richtig

Richtig

Falsch

Falsch


Falsch



- (3) Die Druckpapierrolle korrekt ausgerichtet fest auf den Papierhaken der oberen Abdeckung aufsetzen.
- (4) Den Drucker einschalten.
- (5) Das Papierende gerade in die Papiereinzugöffnung einführen (durch einen Pfeil an der Gehäusevorderseite angezeigt).
- (6) Das Druckpapier wird automatisch in den Drucker eingezogen, bis das Papierende aus der Papierauslauföffnung herauskommt. Hiernach das Papierende durch Drücken der Papiervorschubtaste FEED wie benötigt weiter auslaufen lassen, oder das herausstehende Ende abschneiden. Zum Abschneiden das Papier von links oder rechts an die Schneidklinge an dieser Seite heranführen.
- (7) Das Papier straff ziehen und die Druckerabdeckung schließen.

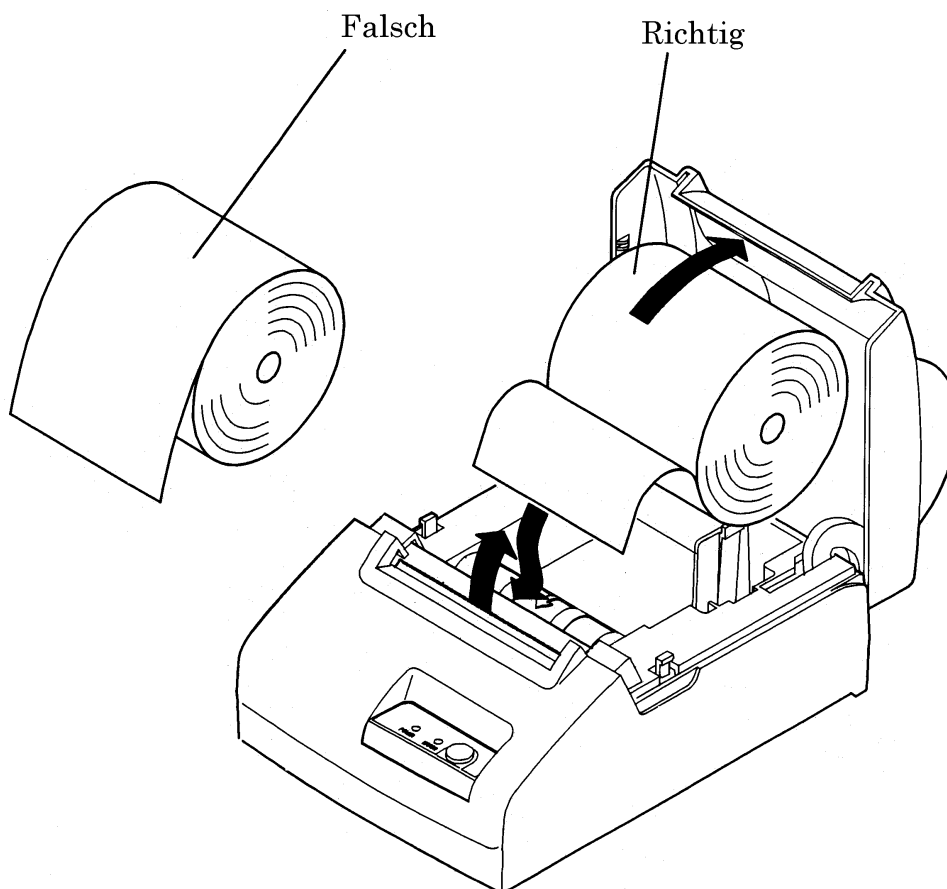


**VORSICHT :** • Nach dem automatischen Einziehen des Druckpapiers ist der Drucker betriebsbereit (bereit für den Datenempfang). Wenn noch Daten im Puffer vorhanden sind oder empfangen werden, startet der Druckbetrieb automatisch.

-  **VORSICHT :** • Schlaffes Druckpapier durch Zurückdrehen der Papierrolle straffen. Schräg eingesetztes Druckpapier langsam herausziehen und neu einführen, oder durch vorsichtiges Ziehen gerade richten. Falls dies nicht hilft, die Druckerabdeckung schließen und die Papiervorschubtaste FEED zum Ausrichten des Papiers drücken. Die Druckerabdeckung niemals während des Druckens öffnen, da hierdurch papierstaus usw. entstehen können.

Niemals während des Druckens das Papier festhalten, um Papierstaus zu vermeiden.

- Druckkopf, Druckmotor und umliegende Bereiche sind nach dem Drucken heiß. Um Verbrennungen zu vermeiden, sollten diese Teile niemals unmittelbar nach dem Drucken berührt werden.





## 4.5 Entfernen des restlichen Papiers

- (1) Wenn das Druckpapier verbraucht ist, die Papiervorschubtaste FEED gedrückt halten, bis der Papiervorschub stoppt. Anschließend das restliche Papier entfernen.
- (2) Zum Herausnehmen der Druckpapierrolle vor dem Ende die Druckerabdeckung aufklappen und das Papier vor der Papiereinzugöffnung sauber abschneiden. Anschließend die FEED-Taste drücken, damit das im Drucker verbliebene Papier ausläuft.



**VORSICHT :** • Unbedingt darauf achten, zum Entfernen des restlichen Papiers die FEED-Taste zu drücken. Das Papier zum Entfernen niemals gewaltsam in Einzug- oder Auslafrichtung herausziehen. Das Papier sollte in jedem Fall langsam und vorsichtig herausgezogen werden.

## 4.6 Beseitigung von Papierstaus

- (1) Den Drucker mit dem Netzschalter ausschalten und die Druckerabdeckung aufklappen.
- (2) Das Druckpapier vor der Papiereinzugöffnung sauber abschneiden.
- (3) Die gesamte Druckpapierrolle herausnehmen. Anschließend das gestaute Papier langsam und vorsichtig herausziehen. Niemals ruckartig am Papier ziehen, und darauf achten, den Druckkopf nicht zu beschädigen.
- (4) Nach vollständiger Entfernung des Druckpapiers den Drucker wieder einschalten.



**VORSICHT :** • Druckkopf, Druckmotor und umliegende Bereiche sind nach dem Drucken heiß. Die Beseitigung eines Papierstaus sollte deshalb nicht unmittelbar nach dem Drucken vorgenommen werden. Weiterhin darauf achten, den

- Drucker vor der Beseitigung des Papierstaus auszuschalten. Beim
- Entfernen des Papiers die Oberfläche des Druckkopf-Heizelements nicht mit der bloßen Hand oder mit Metallgegenständen berühren, da hierdurch Störungen auftreten können.

Wenn sich der Druckkopf nicht ganz am linken Ende befindet, kann das

- Druckpapier nicht durch Drücken der FEED-Taste vorgeschoben werden. In diesem Fall den Drucker aus- und wieder einschalten, damit der
- Druckkopf in die Ausgangsstellung zurückläuft. Die Papierschnidklinge beim Entfernen des Druckpapiers nicht mit der Hand berühren.

## 4.7 Papierende und Alarm

### 4.7.1 Fehleranzeige am Bedienfeld

Beim Einschalten des Druckers oder während des Druckbetriebs leuchtet/blinkt das ERROR-Lämpchen am Bedienfeld.

Fehleranzeige	ERROR-Lämpchen	Rückstellmethode
Ausgangspositionsfehler	Eingeschaltet	Nicht rückstellbar
Papierende	Blinkt	Neues Druckpapier einlegen

### 4.7.2 Fehlermeldungen

#### (1) Ausgangspositionsfehler:

Der Druckkopf läuft beim Einschalten des Druckers ganz nach links in seine Ausgangsposition. Diese Fehlermeldung tritt auf, wenn der Mechanismus aufgrund einer mechanischen Blockierung, eines Papierstaus o. dergl. nicht funktioniert, oder wenn der Druckkopf seine Ausgangsposition nicht innerhalb einer bestimmten Zeit erreicht.

Hiernach werden die Fehlersignale BUSY (DTR) und FAULT (nur parallel) ausgegeben.

#### (2) Papierende:

Dieser Fehler tritt auf, wenn das Druckpapier aufgebraucht ist oder kein Papier eingelegt wurde. Bei Anzeige dieser Fehlermeldung ist wie unter "4.4 Einlegen des Druckpapiers (Rolle)" beschrieben Papier einzulegen. Sofern das Papier korrekt eingelegt wurde, erlischt anschließend das ERROR-Lämpchen. Die Signale BUSY (DTR) und FAULT (nur parallel) werden bei der Rückstellung der Fehlermeldung ebenfalls rückstellt.



**VORSICHT :** • Bei häufigem Auftreten von Ausgangspositionsfehlern den Drucker ausschalten.

Wenn das Netzanzeigelämpchen (POWER) bei korrektem Anschluß des Druckers nicht leuchtet oder Funktionsstörungen auftreten, den Drucker nicht weiter verwenden und den Fachhändler zurate ziehen, bei dem der Drucker gekauft wurde.

Bei Rauch- oder Brandentwicklung des Druckers oder Aussetzen der Druckfunktion den Drucker sofort ausschalten. Niemals versuchen, den Drucker zu zerlegen oder eigenhändig zu reparieren.

Bei der Beseitigung einer Fehlerursache, wie z.B. eines Papierstaus usw., stets vorher den Drucker ausschalten.

Druckkopf, Druckmotor und umliegende Bereiche sind nach dem Drucken oder nach einer Alarmmeldung eventuell heiß. Um Verbrennungen zu vermeiden, sollten diese Teile niemals unmittelbar nach dem Drucken berührt werden.

## 4.8 Selbstdruckfunktion

Die FEED-Taste gedrückt halten und gleichzeitig den Drucker einschalten. Der Drucker druckt hiernach die verwendeten Zeichen aus, wie z.B. ROM-Version, DIP-Schalter-Information usw.

- (1) Die FEED-Taste gedrückt halten und gleichzeitig den Drucker einschalten.
- (2) Sobald der Druckbetrieb startet, die FEED-Taste freigeben.



**VORSICHT :** • Diese Funktion darf nicht gestartet werden, wenn sich kein Druckpapier im Drucker befindet oder das Papier nahezu aufgebraucht ist. Der Druckbetrieb kann durch Vorschieben des Papiers zur Papiereinzugöffnung des Druckers fortgesetzt werden.

(Drucken ohne eingelegtes Papier)

Da hierdurch Funktionsstörungen auftreten können, ist darauf zu achten, daß sich stets ausreichend Papier im Drucker befindet.

## 4.9 Automatische Papiervorschubfunktion

Nach Einführen von neuem Druckpapier in die Papiereinzugöffnung wird das Papier automatisch mehrere Zeilen weitertransportiert. Das Druckpapier gerade in die Papiereinzugöffnung einschieben, damit es nicht knickt. Falls das Papier die Auslauföffnung nicht erreicht hat, kann es durch Drücken der FEED-Taste weiter vorgeschoben werden, bis es aus der Papierauslauföffnung hervortritt.



**VORSICHT :** • Das Papier wie im Abschnitt "4.4 Einlegen des Druckpapiers (Roll)" beschrieben einlegen. Während des automatischen Papiervorschubs nicht am Papier ziehen, da hierdurch Funktionsstörungen auftreten können.

- Das Druckpapier beim Einschieben nicht straffen. Andernfalls können beim Start des automatischen Papiervorschubs Funktionsstörungen oder ein Papierstau auftreten.
- Nach dem automatischen Papiervorschub ist der Drucker betriebsbereit.

Bitte beachten: Wenn noch Daten im Puffer vorhanden sind oder empfangen werden, startet der Druckbetrieb nach dem Vorschieben des Papiers automatisch.

## 4.10 Papierstau und Reißen beim Druckbetrieb

In den folgenden Fällen können Funktionsstörungen, wie z.B. ein Reißen im Druckbetrieb, auftreten.

In derartigen Fällen sollte der Drucker aus- und wieder eingeschaltet werden.

- (1) Wenn die Druckfunktion vorübergehend unterbrochen wurde, weil sich das Ende des Druckpapiers beim Auslaufen oder Einschieben verfangen hat.
- (2) Wenn das Druckpapier während des Druckens oder einer Druckpause gewaltsam in Druck- oder Rückwärtsrichtung gezogen wird.
- (3) Wenn das Druckpapier festgehalten wird und nicht vorgeschoben werden kann.
- (4) Wenn die Druckfunktion vorübergehend unterbrochen wurde, weil Fremdkörper den Druckkopf blockieren.

Ein Reißen im Druckbetrieb macht sich durch ein anormales Geräusch bemerkbar. Hiernach sollte der Drucker sofort ausgeschaltet werden.

Darüber hinaus kann ein Reißen im Druckbetrieb auch ohne anormale Geräusche auftreten.

Auch hiernach sollte der Drucker sofort ausgeschaltet werden.



- VORSICHT :** • Nach dem Einschalten der Stromversorgung stoppt der Drucker selbst bei Auftreten eines Papierstaus oder dergleichen nicht. Wenn fortlaufendes Drucken gewünscht ist, sollte deshalb genauestens auf Papierstaus und plötzliche Unterbrechungen des Druckbetriebs geachtet werden.

## 5. EINSTELLUNG DER DIP-SCHALTER

### 5.1 DIP-Schalterposition

Die DIP-Schalter befinden sich am Boden des Druckergehäuses. Diese Schalter müssen bei ausgeschalteter Stromversorgung eingestellt werden. Vor dem Einstellen der Schalter ist deshalb zuerst der Drucker auszuschalten.

- (1) Den Drucker ausschalten.
- (2) Die Abdeckung der DIP-Schalter abschrauben. (Darauf achten, die Schrauben nicht zu verlieren.)
- (3) Die Abdeckung zur Schraubenbefestigungsseite hin schieben und in der durch den Pfeil angezeigten Richtung abnehmen.
- (4) Die DIP-Schalter einstellen.
- (5) Nach dem Einstellen der Schalter die Abdeckung wieder ansetzen und festschrauben.

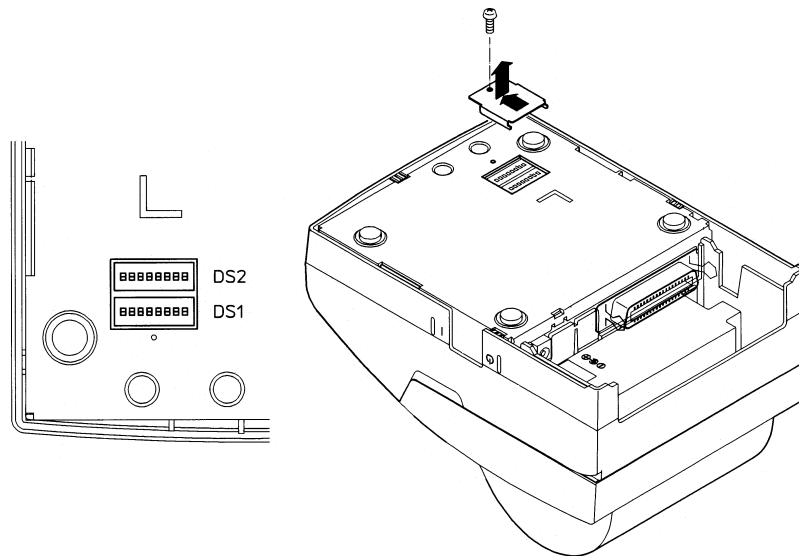


**VORSICHT :** • Die Abdeckung ist mit Schrauben der Größe M2 x 3 mm befestigt. Zur Befestigung der Abdeckung niemals andere Schrauben verwenden. (Falls Schrauben verloren gehen, sind diese durch neue Schrauben des gleichen Type zu ersetzen.) Vor dem Einstellen der DIP-Schalter darauf achten, den Drucker auszuschalten. Durch Einstellen der Schalter bei eingeschaltetem Drucker können Funktionsstörungen auftreten.

Zum Einstellen der DIP-Schalter keine spitzen Gegenstände verwenden.

Die deaktivierten Schaltersegmente unbedingt auf OFF gestellt lassen (werksseitige Einstellung).

\* Den Drucker niemals mit abgenommener Schalterabdeckung betreiben.



## 5.2 Funktion der DIP-Schalter

### 1) DS1

DS1	Funktion	ON	OFF	Werksseitige Einstellung
DS1-1	Deaktiviert			OFF
DS1-2	Moduswahl	P200/250	iDP562	ON
DS1-3	Druckdichte	* Siehe untenstehende Tabelle		OFF
DS1-4	Druckdichte			ON
DS1-5	CR-Wahl	Nicht verwendet	LF-Betrieb	ON
DS1-6	DC2-Code	Deaktiviert	Aktiviert	OFF
DS1-7	Wiederholungsdruck	* Siehe untenstehende Tabelle		ON
DS1-8	Wiederholungsdruck			ON

### 2) DS2

DS2	Funktion	ON	OFF	Werksseitige Einstellung
DS2-1	Bitlänge	8 bits	7 bits	ON
DS2-2	Parität	Nein	Ja	ON
DS2-3	Ungerade/Gerade	Ungerade	Gerade	OFF
DS2-4	Deaktiviert			OFF
DS2-5	Baudrate	* Siehe untenstehende Tabelle		ON
DS2-6	Baudrate			ON
DS2-7	Baudrate			OFF
DS2-8	Deaktiviert			OFF

Der DIP-Schalter DS2 wird nur für die Sserien- und DIN-Minischnittstelle verwendet.

Druckdichte	Hell	Normal	Leight dunkel	Dunkel
DS1-3	OFF	OFF	ON	ON
DS1-4	OFF	ON	OFF	ON

Wiederholungsdruck	Befehlswiederholungsdruck 1	Befehlswiederholungsdruck 2	Wiederholungsdruck	Normaler Druck
DS1-7	OFF	OFF	ON	ON
DS1-8	OFF	ON	OFF	ON

See Page 20, 5.3 Repeat Print Setting

Baudrate	150	300	600	1200	2400	4800	9600	19200
DS2-5	OFF	OFF	OFF	OFF	ON	ON	ON	ON
DS2-6	OFF	OFF	ON	ON	OFF	OFF	ON	ON
DS2-7	OFF	ON	OFF	ON	OFF	ON	OFF	ON

# Japan CBM Corporation

**Information Systems Division** — CBM Bldg., 5-68-10, Nakano, Nakano-ku, Tokyo 164-0001, Japan  
**Head Office** — Tel: (+81-3) 5345-7540 Fax: (+81-3) 5345-7541

01-980625-3000-0255-0092-3000 Printed in Japan

## Free Manuals Download Website

<http://myh66.com>

<http://usermanuals.us>

<http://www.somanuals.com>

<http://www.4manuals.cc>

<http://www.manual-lib.com>

<http://www.404manual.com>

<http://www.luxmanual.com>

<http://aubethermostatmanual.com>

Golf course search by state

<http://golfingnear.com>

Email search by domain

<http://emailbydomain.com>

Auto manuals search

<http://auto.somanuals.com>

TV manuals search

<http://tv.somanuals.com>