

*the* **CLAM**



**SLEEPER**

**Model No.**

**- 8099 -**

**Specifications**

- Height - 84 inches
- Length - 94 inches
- Width - 94 inches
- Weight - 190 lbs.

**p/n 108099**



**Warning!! "Sleeper" is a Trademark™ name property of Clam Corporation and is not intended to suggest or infer "sleeping" in this shelter. Please observe the safety instructions listed in this booklet.**

**- Clam Customer Service Information -**

**NOTICE!! - ONCE USED, THIS SHELTER CANNOT BE RETURNED TO THE STORE. IF YOU HAVE A WARRANTY CLAIM, PLEASE CONTACT CLAM CORP. CUSTOMER SERVICE BY EMAIL INQUIREY OR DIRECT BY CALLING:**

**A WARRANTY CLAIM, PLEASE CONTACT CLAM CORP. CUSTOMER SERVICE BY EMAIL INQUIREY OR DIRECT BY CALLING:**

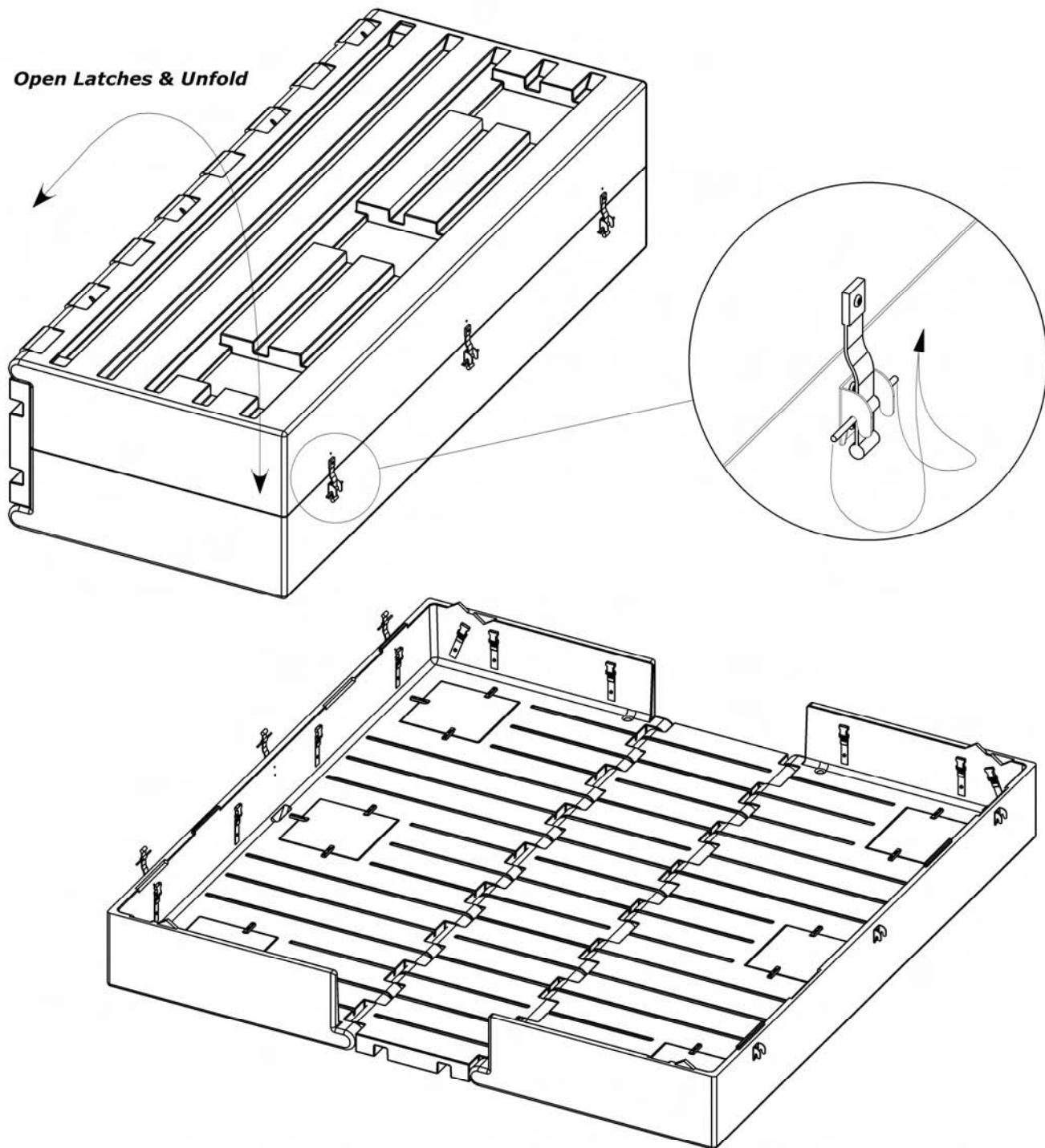
- **Customer Service Hrs: - 9am to 4pm, Mon. - Fri. Central Standard Time**
- **Clam Corporation, Inc.**  
**15600 28<sup>th</sup> Ave N**  
**Plymouth, MN 55447**
- **Phone - 763-231-4120**
- **Fax - 763-231-4121**
- **Email - [customerservice@clamcorp.com](mailto:customerservice@clamcorp.com)**
- **Website - [www.clamcorp.com](http://www.clamcorp.com)**



2005 ©Clam Corporation, Inc. Manual - 101676

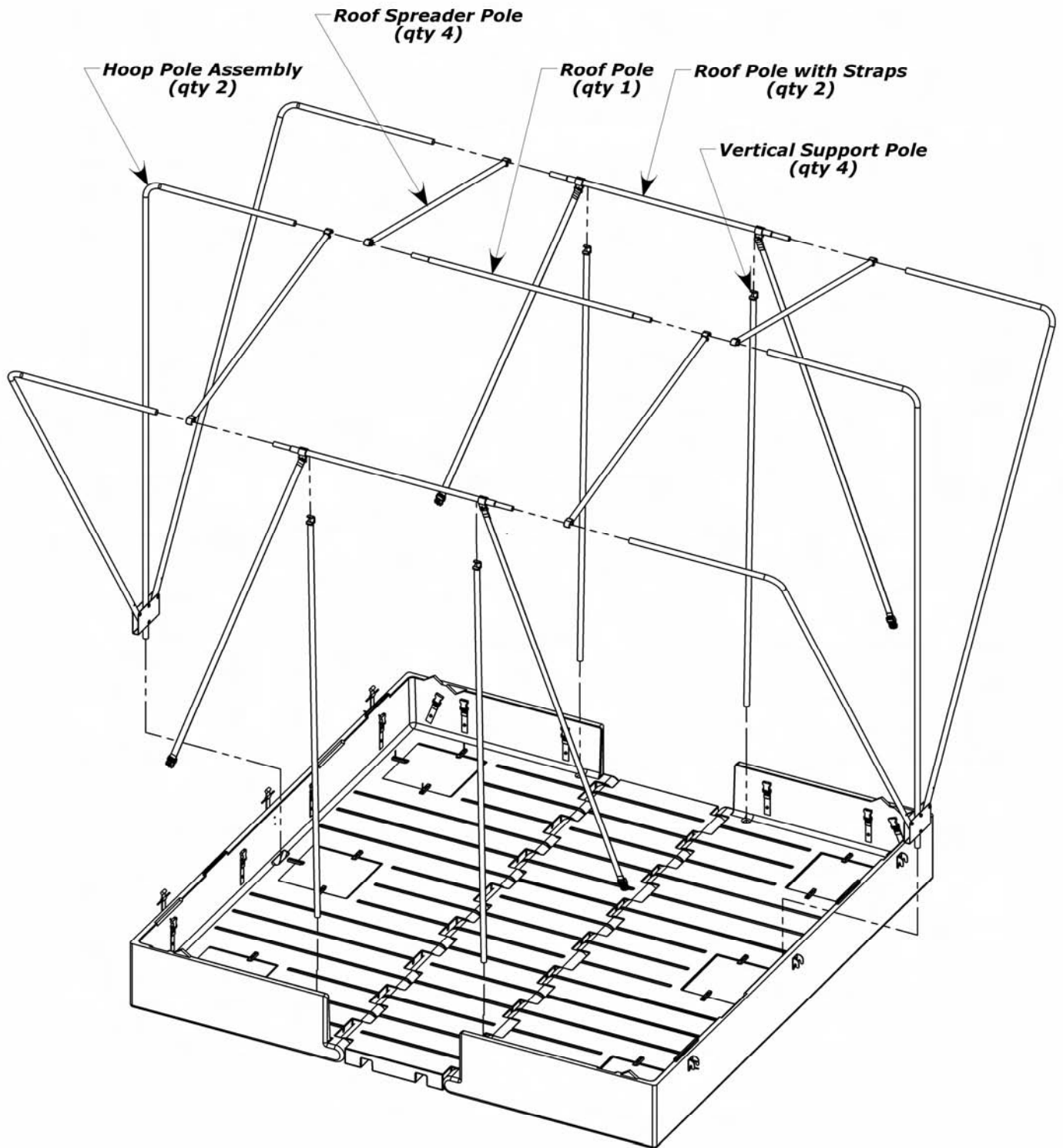
## Step One

**The following steps are to help you become proficient in the set-up procedure. It is recommended that the Tent not be installed to the base until you have become familiar with the process.**



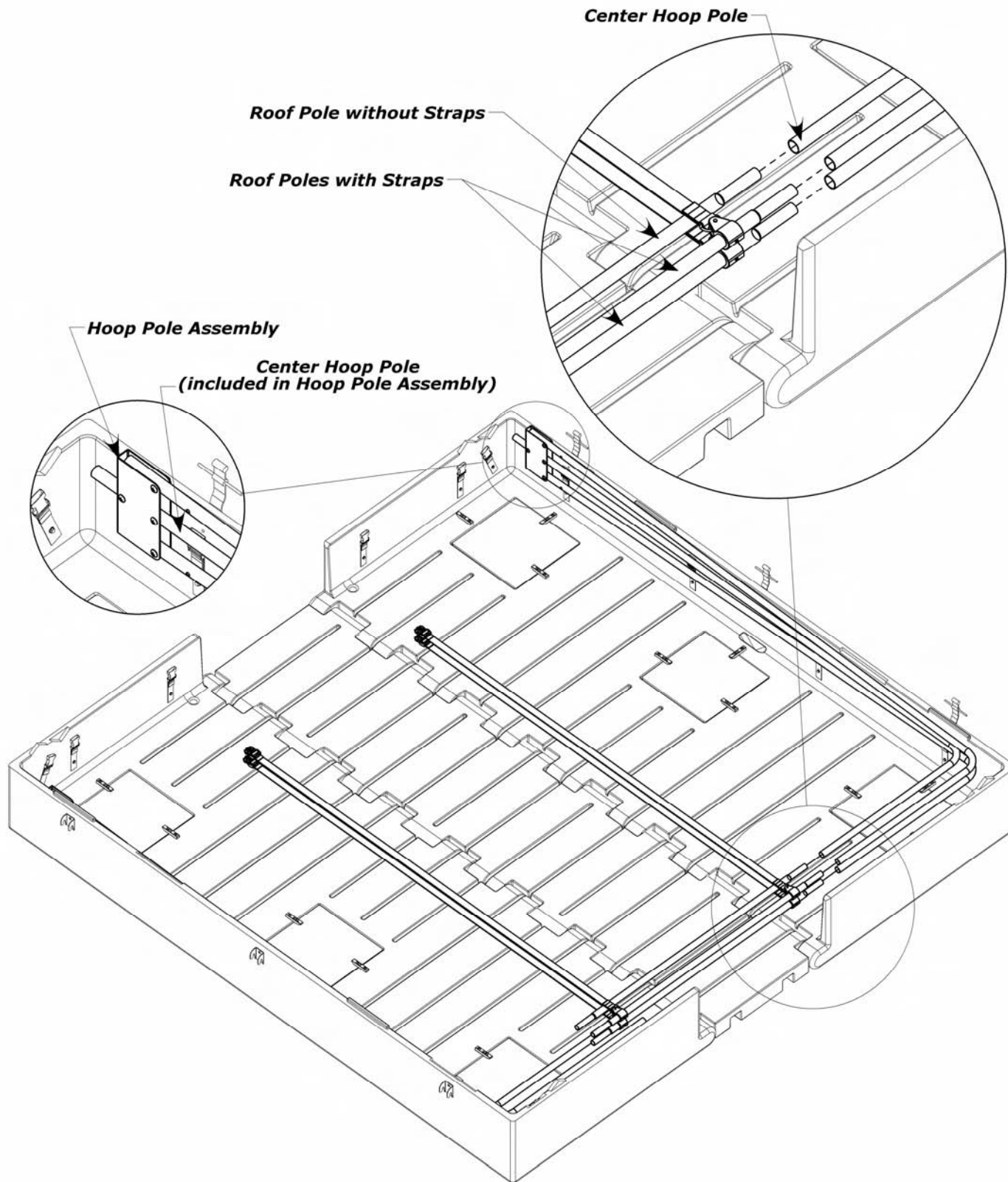
**Remove all item from the Base. Please refer to the Parts Reference Guide on the following page as an aid for parts verification.**

# Parts Reference Guide



## Step Two

**Separate the Hoop Pole Assemblies, setting each against opposite walls of the Base. Slide the ends of the Roof Poles into the ends of one Hoop Pole Assembly. Make sure that the Roof Pole without straps gets connected to the Center Hoop Pole (the shorter pole). Verify that the straps on the two Roof poles are oriented correctly then connect the opposite ends to the other Hoop Pole Assembly.**

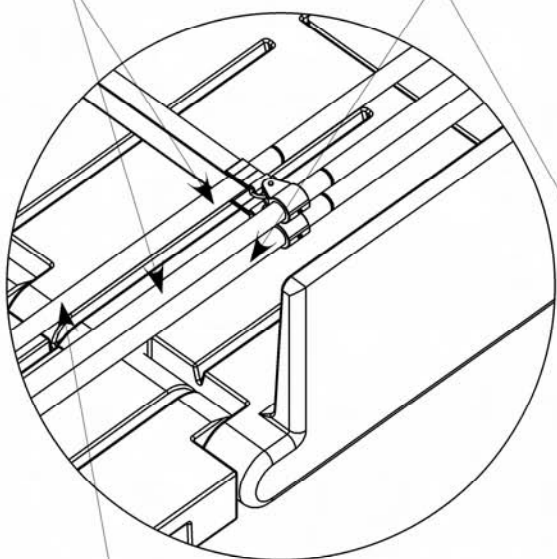


## Step Three

**Snap Two Roof Spreader Poles onto the Hoop Pole nearest the Floor, then lift the other two Hoop Poles up, snapping the opposite end of the Roof Spreader Pole onto the Center Hoop Pole**

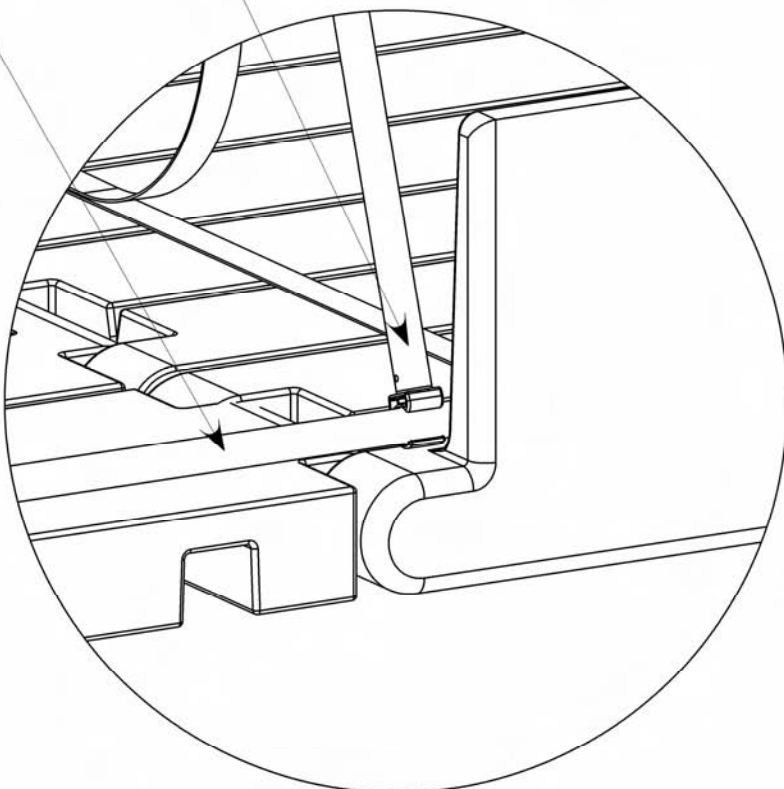
**Lift these Hoops Up**

**Hoop Pole Nearest the Floor**

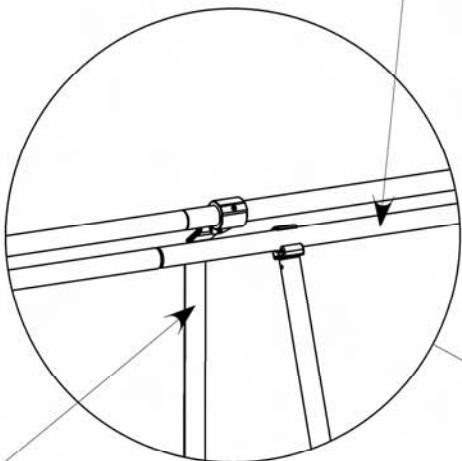


**NOTE: Make sure that the Clip on the Roof Spreader Pole is snapped from the side shown or it may come off during the set-up procedure of the next step.**

**Roof Spreader Pole**

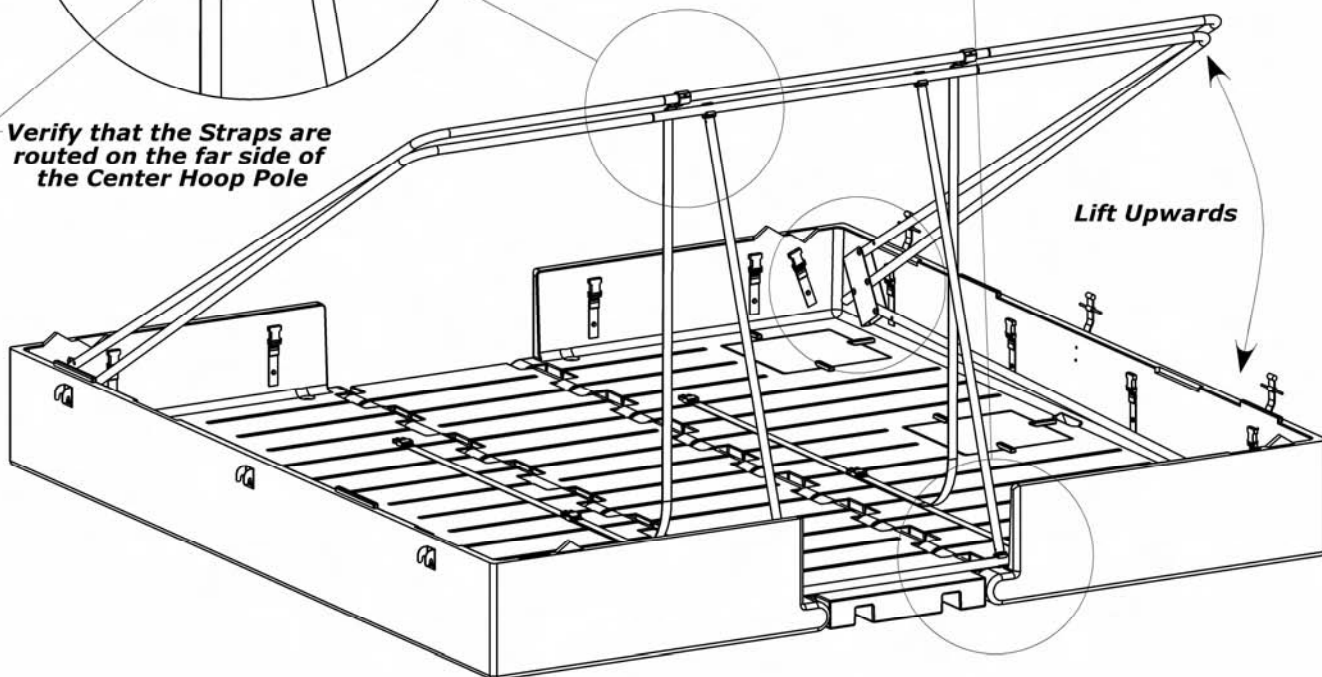


**Center Hoop Pole Pole**

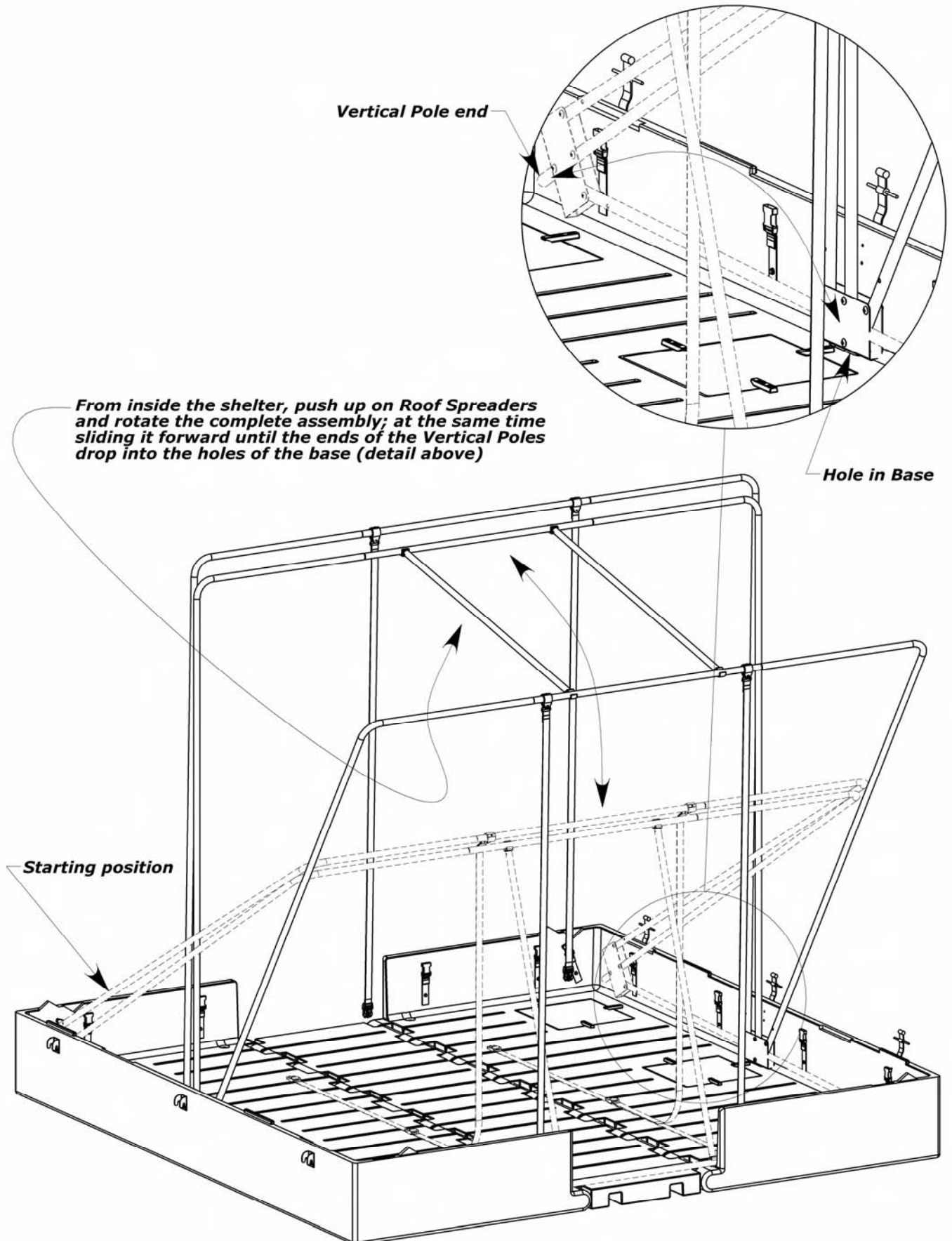


**Verify that the Straps are routed on the far side of the Center Hoop Pole**

**Lift Upwards**

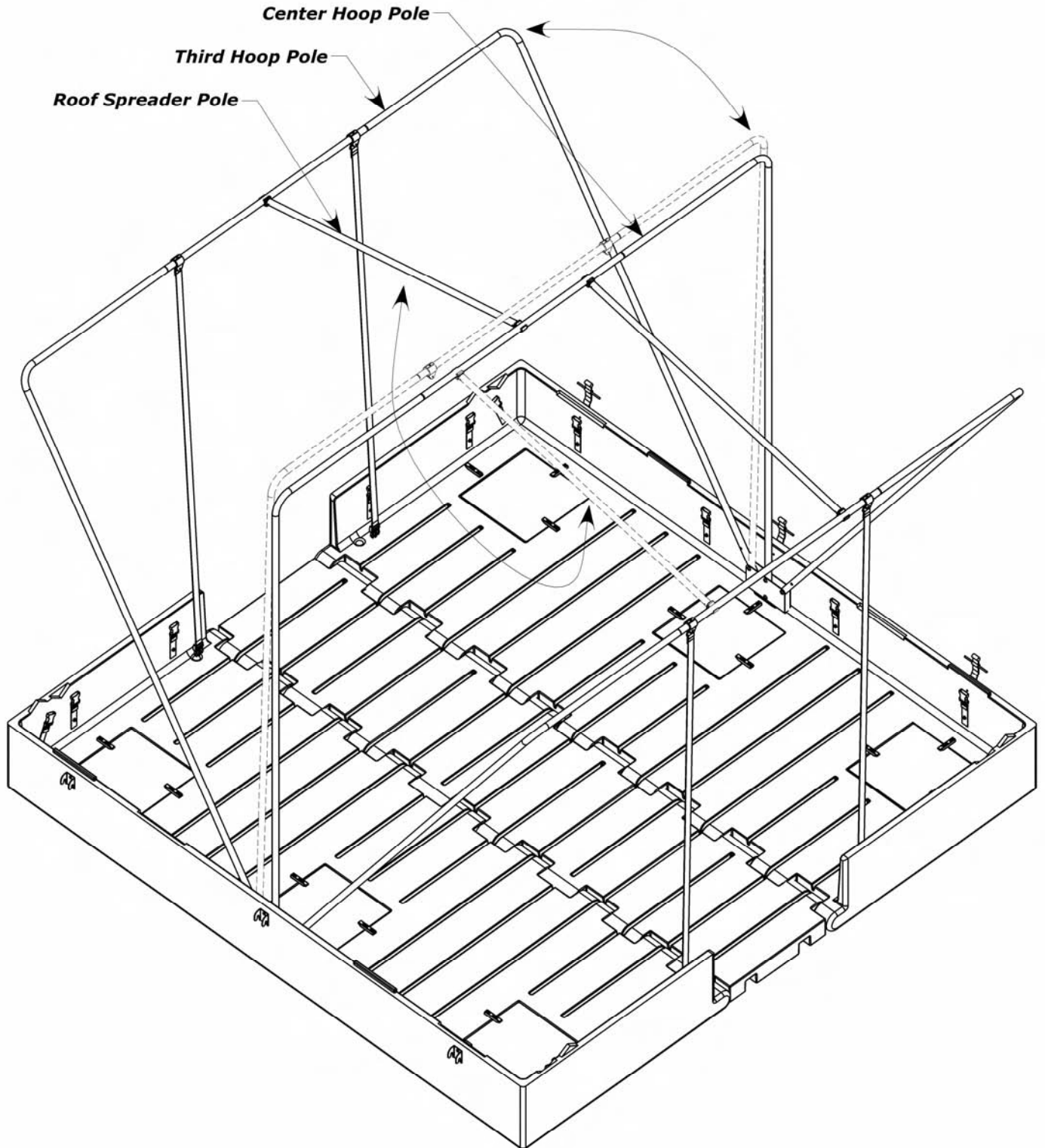


## Step Four



## Step Five

**After Rotating the assembly vertical, hold the Center Hoop Pole as you spread the Third Hoop Pole. Use the Roof Spreader Pole as indicated to fix the group in place.**

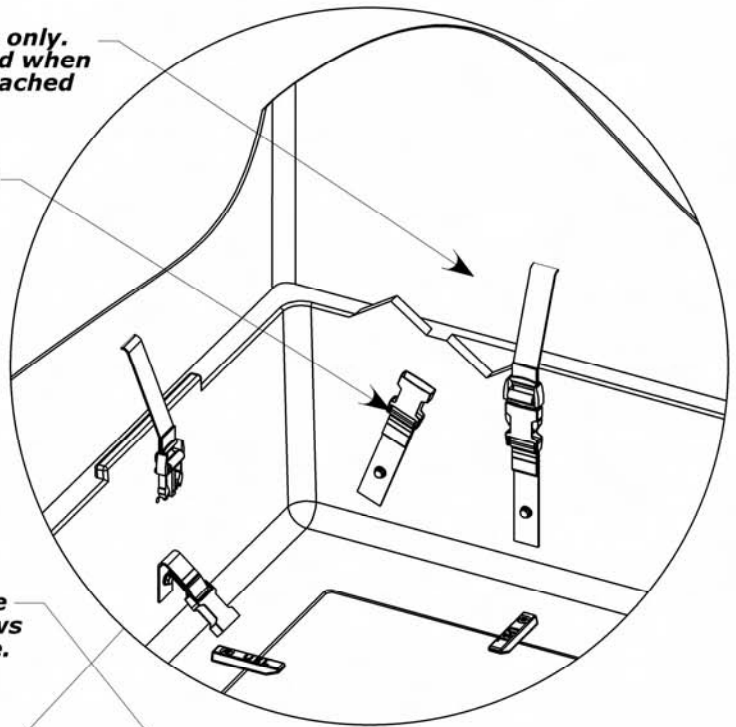


## Step Six

Now that you have knowledge of the basic structure, remove all poles and attach the tent.

Attach Tent Straps on the ends with doors only.  
Do not Adjust the straps until after set-up and when  
the two remaining wall straps have been attached

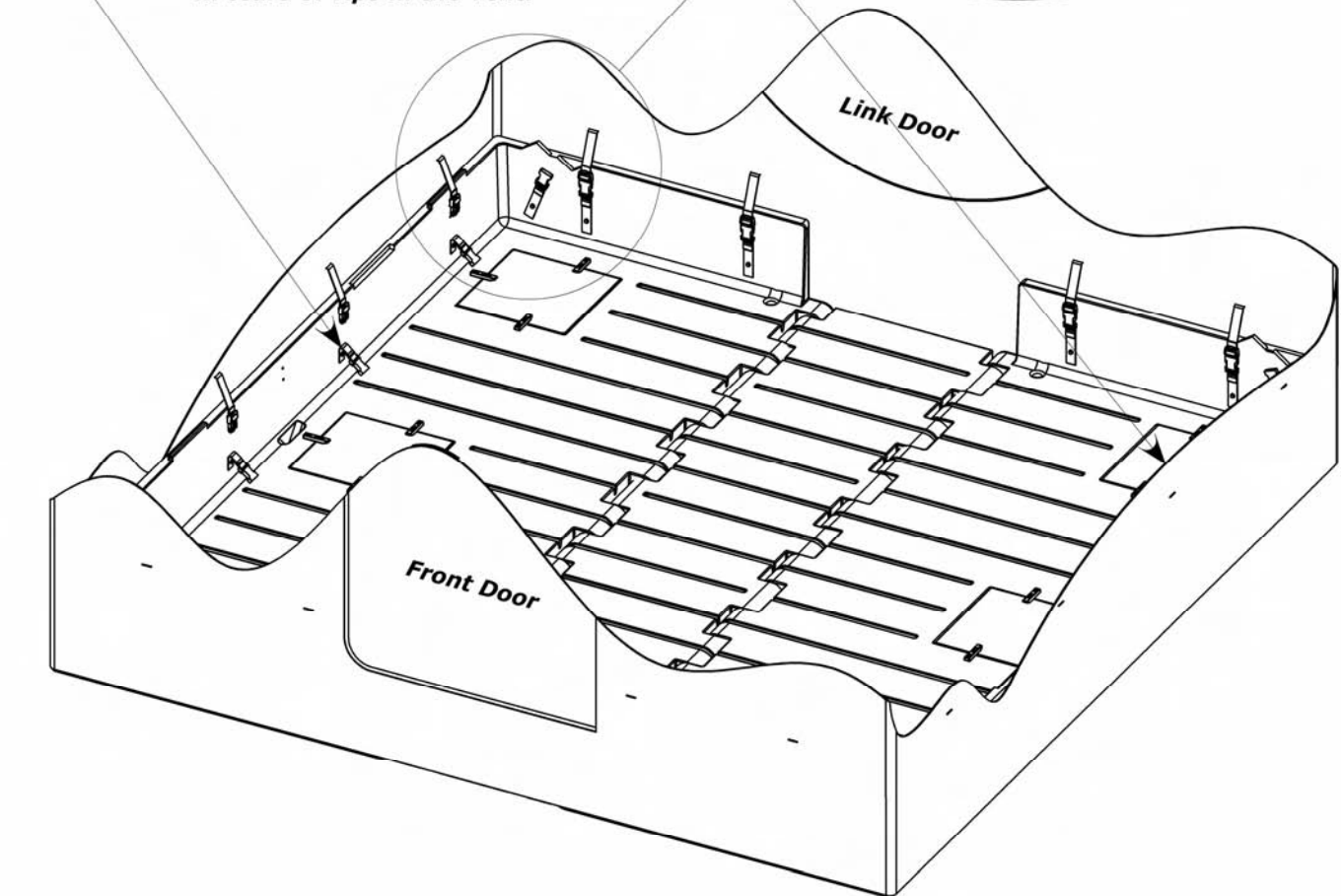
Straps (4) located near the corners on  
opposite walls are for attachment to  
the Roof Poles with Straps



### NOTICE!!

Do not attach the straps on this or the opposite  
wall until you have set-up the shelter. This allows  
the Tent to stretch during the set-up procedure.

Failure to do so may result  
in tears or rips in the Tent.

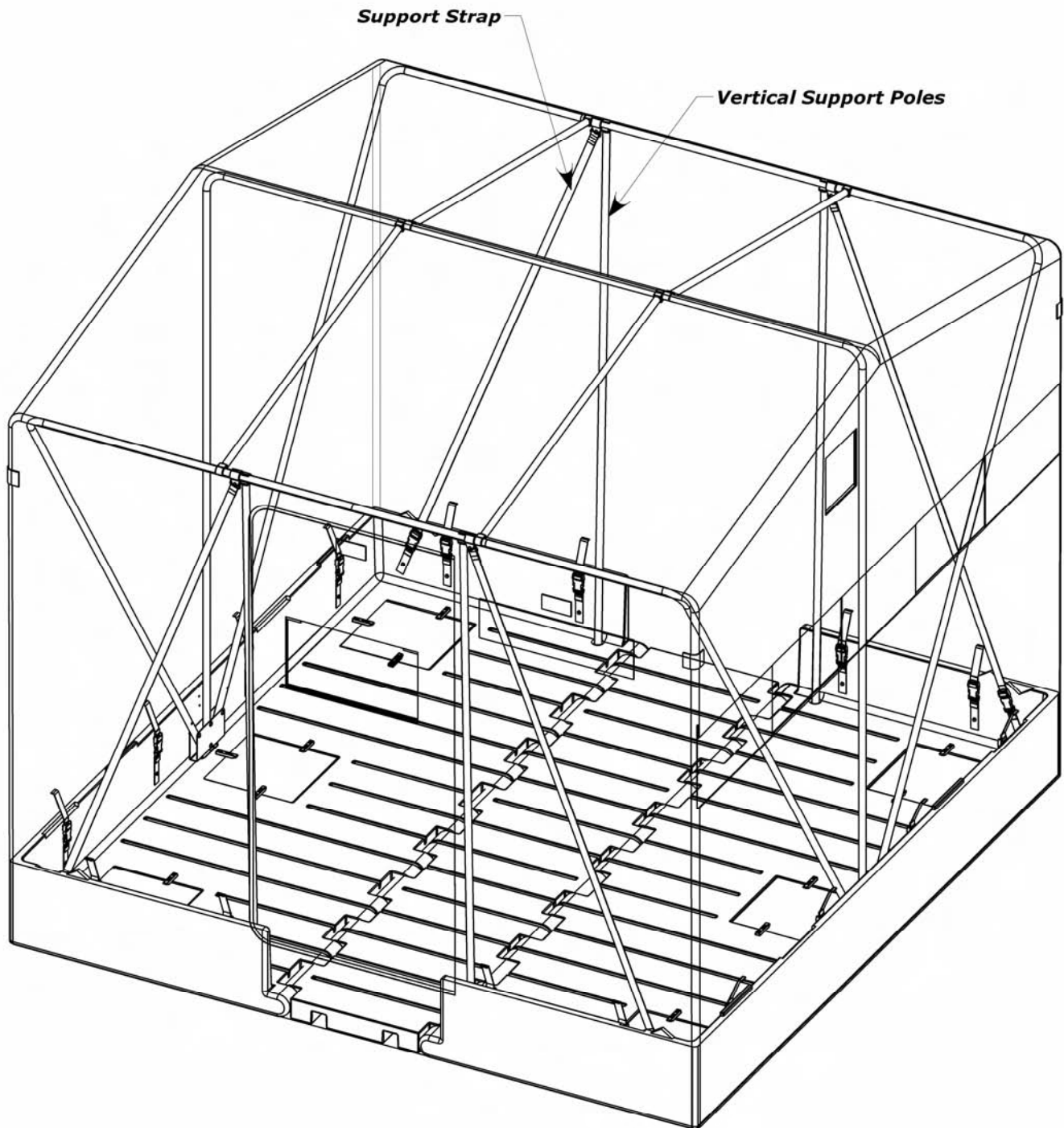




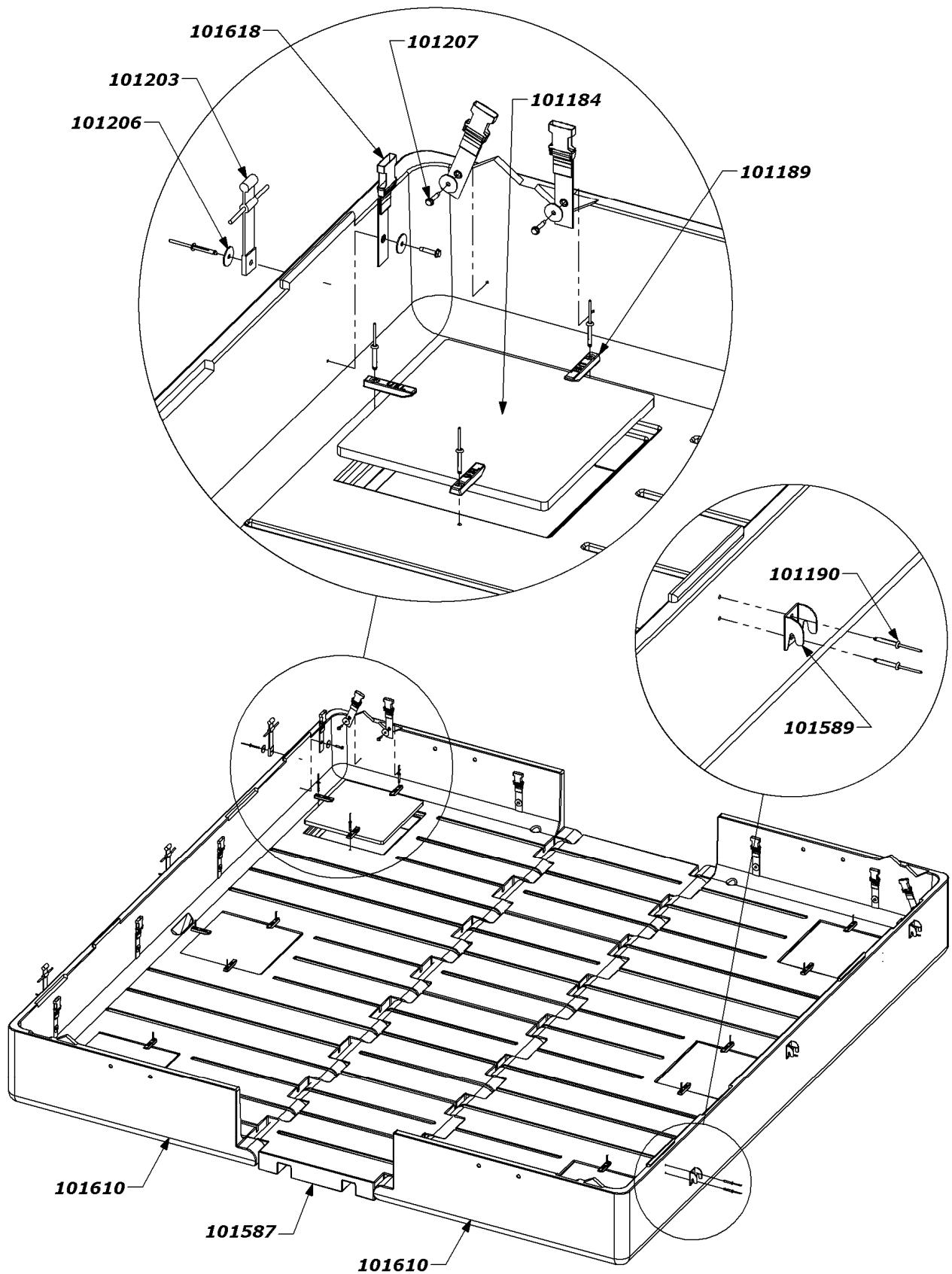
## Step Seven

**After attaching the Tent, repeat the prior steps but this time starting by working through open doorways. Install the remaining Roof Poles and then the Vertical Support Poles. Attach the Support Straps from the Roof Poles to the corners of the base and also attach the unattached Tent Straps. And lastly, adjust all Straps to reduce flex and to snug the Tent material.**

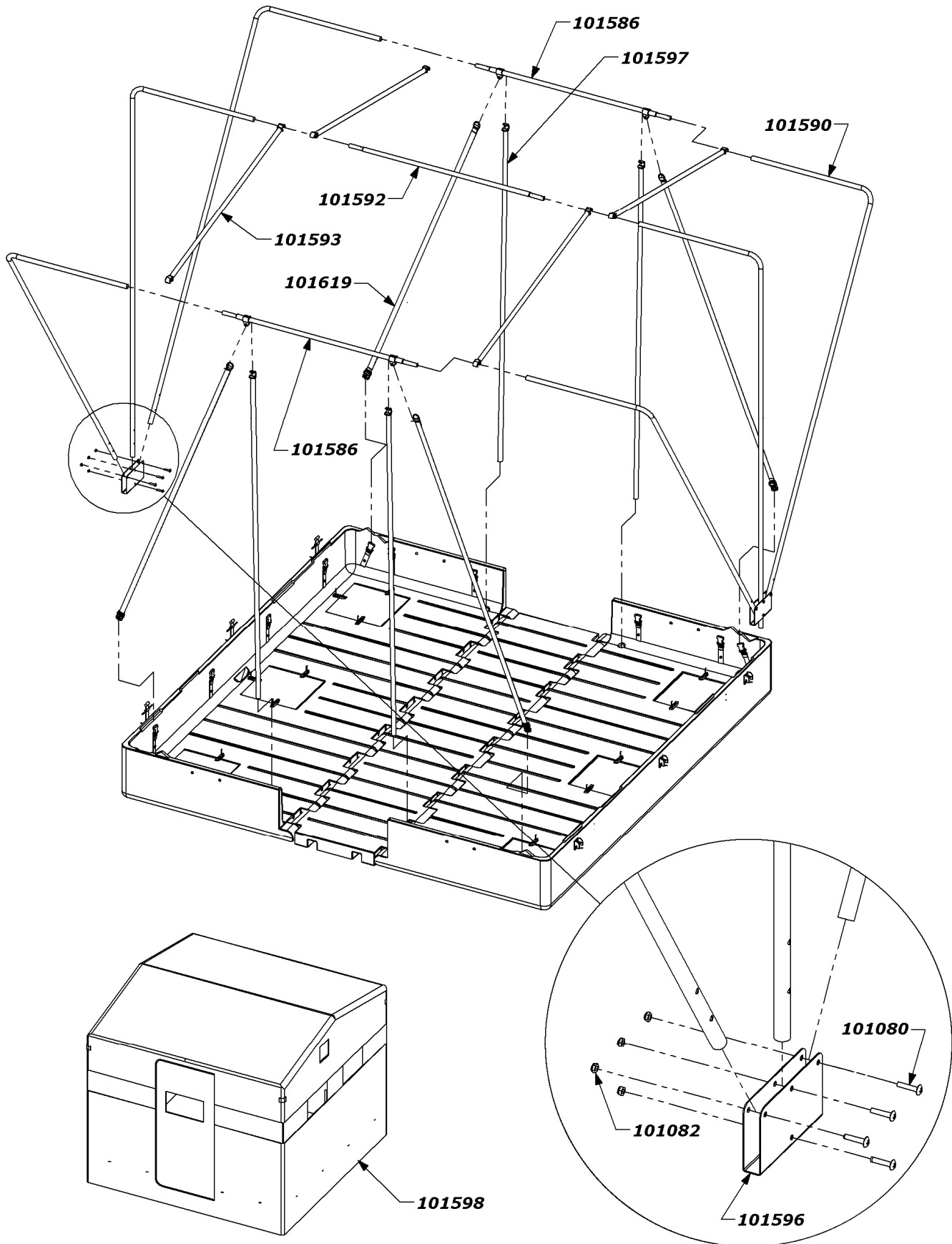
**For take-down, just reverse this complete process.**



# Parts Replacement (Base)



# Parts Replacement (Poles)



## **- Safety Instructions -**

*Please fully understand and follow all safety instructions as outlined. Failure to do so could result in severe injury or death.*

- *Do not use open flame heaters in your ice shelter. Injury or death may result from fire if tent fabric is exposed to open flame. The tent is not fireproof, but the fabric is treated with a fire retardant that meets CPAI-84 specifications. Application of any foreign substance may render the flame retardant properties ineffective. Ice Armor fabric will melt when contact is made with hot surfaces (i.e., heaters).*
- *Death from asphyxiation may result from use of oxygen depleting heaters. Open all vents for fresh air ventilation.*
- *Never leave shelter unattended when set up.*
- *Due to the increase in traffic (snowmobiles, autos, etc.) on area lakes, ice fishing can be hazardous at night. If you choose to fish at night or in poor visibility conditions, be sure to take precautions with lights or reflectors to show drivers your whereabouts. Night time: exterior reflectors must be visible to reduce risk of collisions.*

## **- Warranty -**

*Clam Corporation, Inc. warrants to the original retail purchaser that all Clams are free from manufacturers defects for one (1) year from the date of the original purchase. Warranty does not cover cracked windows, tent tears, broken or bent hoops due to high wind weather conditions or unattended use. Clam Corporation will replace or repair any part found defective within the one (1) year time limit. All parts must be returned to Clam Corporation, Inc. Before returning any parts, you must first call or write and acquire a return authorization. All returns must be returned postage-prepaid and include the original cash register receipt (date and purchase price).*

## **- Limitation of Liability -**

*It is expressly understood that Clam Corporation liability for its products, whether due to breach of warranty, negligence, strict liability, or otherwise, is limited to the repair of the product as stated above. Clam Corporation is not liable for any injury, loss, damage, or expense, whether direct or consequential, including but not limited to loss of use, income, profit, or damage to material arising in connection with the sale, installation, use of, inability to use, or the repair or replacement of Clam Corporation products. Clam Corporation reserves the right to make alterations or modifications in its products at any time, which in its opinion, may improve the performance and efficiency of the product. It shall not be obligated to make such alterations or modifications to products already in service.*

## Free Manuals Download Website

<http://myh66.com>

<http://usermanuals.us>

<http://www.somanuals.com>

<http://www.4manuals.cc>

<http://www.manual-lib.com>

<http://www.404manual.com>

<http://www.luxmanual.com>

<http://aubethermostatmanual.com>

Golf course search by state

<http://golfingnear.com>

Email search by domain

<http://emailbydomain.com>

Auto manuals search

<http://auto.somanuals.com>

TV manuals search

<http://tv.somanuals.com>