

Model No.

- 8244 -

p/n 108321

Specifications

- Height: 58" (20" packed)
- Width: 36"
- Depth: 80" (48" packed)
- Weight: 47 lbs.
- Instruction p/n 102475



- Clam Customer Service Information -

NOTICE!! Once used, this shelter cannot be returned to the store. If you have a warranty claim, have your sales receipt ready and contact Clam Corporation Customer Service by email inquiry or direct by calling:

- Customer Service Hrs: - 9am to 4pm, Mon. - Fri. Central Standard Time
- Clam Corporation
600 Clydesdale Trail
Medina, MN 55340
- Phone - 763-231-4120
- Fax - 763-231-4121
- Website – www.clamcorp.com
- Email – customerservice@clamcorp.com

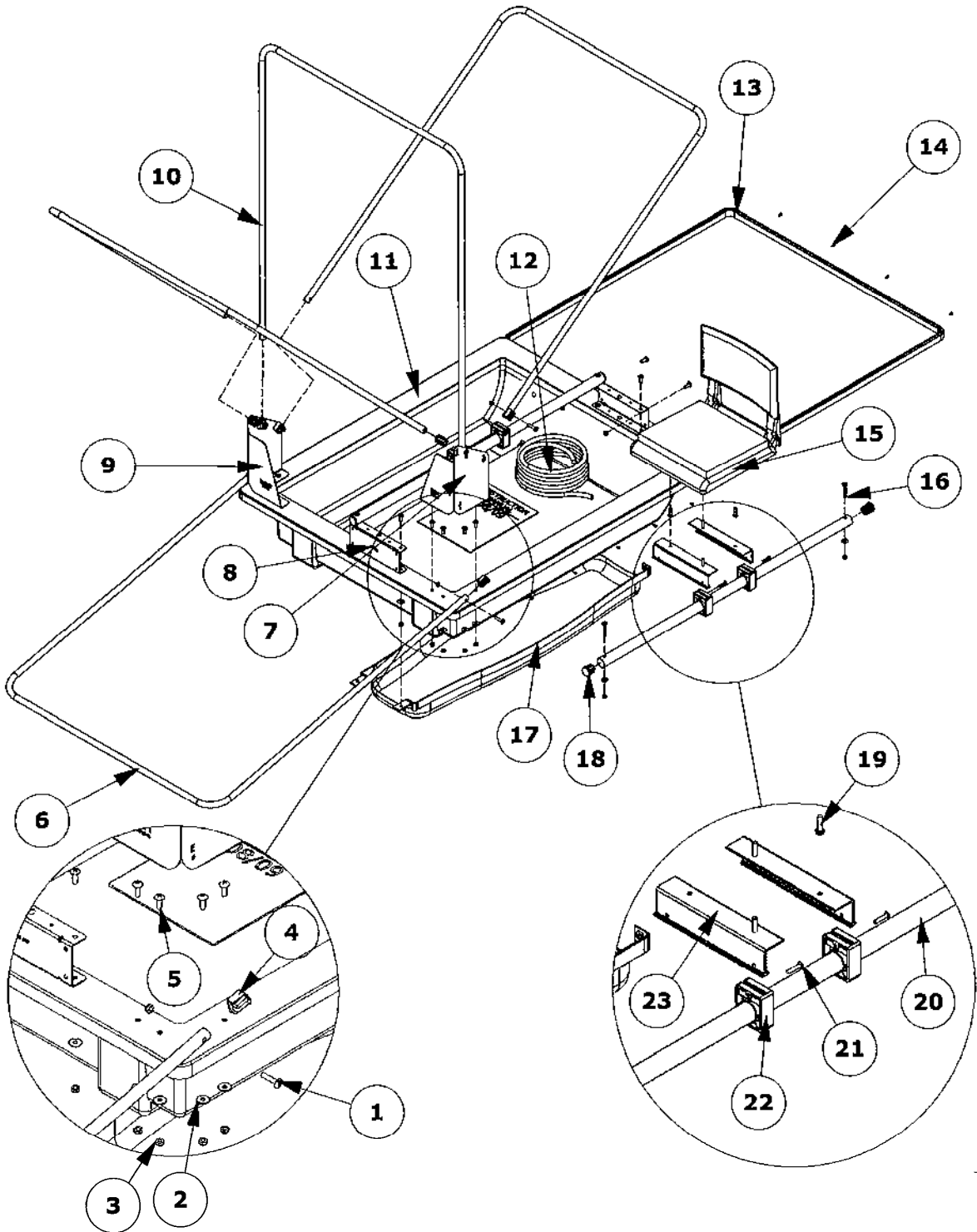


Clam Corporation cannot honor warranty without an original, dated receipt.

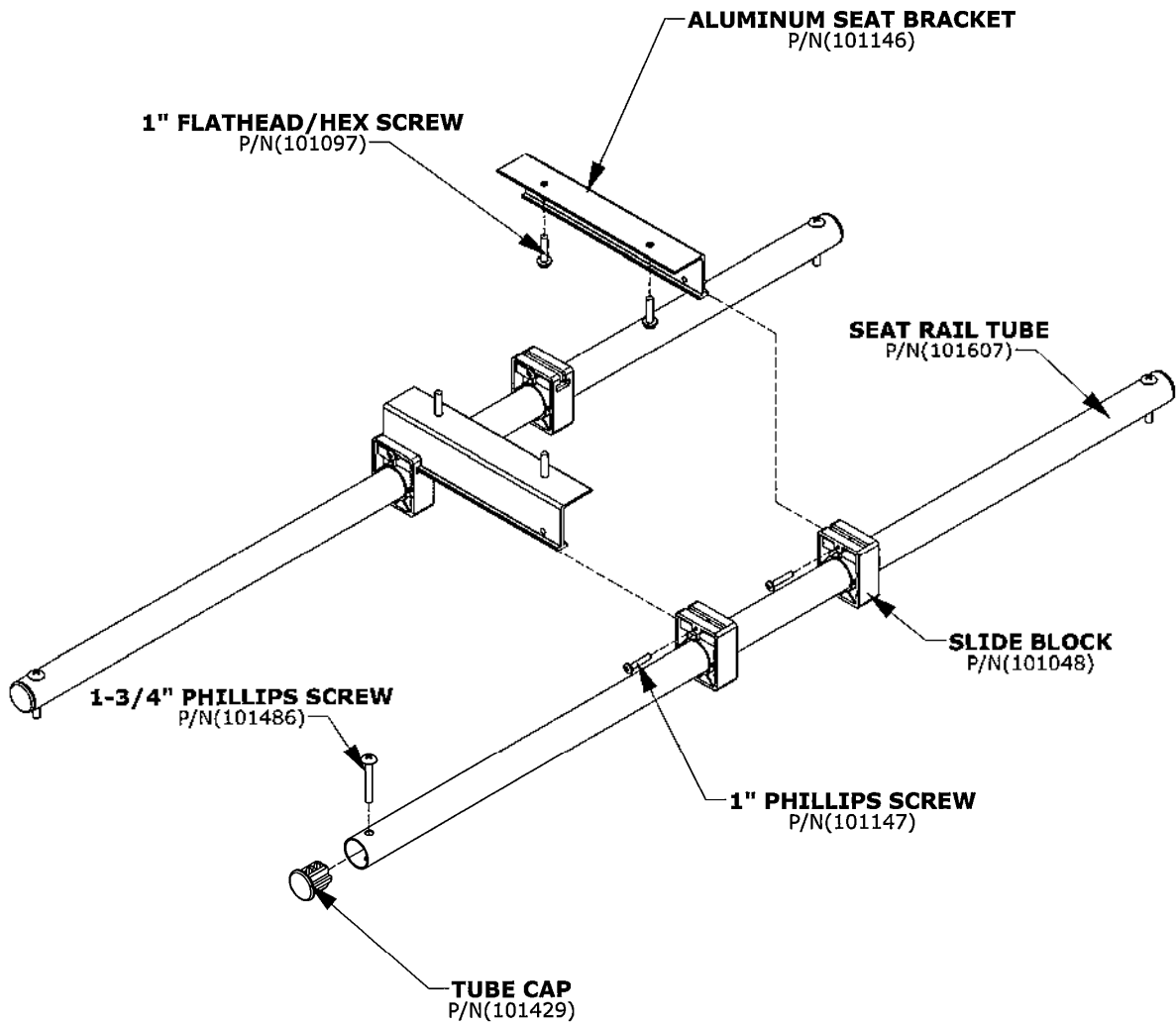
- Parts List -

ITEM NO.	PART NUMBER	DESCRIPTION	QTY.
1	101080	SCREW, 1/4-20 X 1.25	8
2	101081	WASHER, 1/4 FLAT	16
3	101082	NUT, 1/4-20 THIN NYLOCK	26
4	101083	TUBE SPACER CAP	8
5	101088	SCREW, 1/4-20 X 0.75	14
6	101140	SCOUT PORCH HOOP	1
7	101043	LH CANOPY BRACKET	1
8	101609	SEAT RAIL SUPPORT BRACKET	2
9	101042	RH CANOPY BRACKET	1
10	101141	SCOUT CANOPY HOOP	3
11	102494	BASE, SCOUT 08-09	1
12	101095	TOW ROPE, 3/8 DIA X 9 FT	1
13	101096	U-CHANNEL MOLDING, SCOUT	1
14	101148	SCREW, #6 X 0.38	16
15	101055	STADIUM SEAT	1
16	101486	SCREW, 1/4-20 X 1.75	4
17	101144	ACCESSORY HAMMOCK, SCOUT	1
18	101429	PLUG, 1.16 DIA TUBE	4
19	101097	SCREW, #14 X 1.00	4
20	101607	SCOUT SEAT RAIL TUBE	2
21	101147	SCREW, #10 x 1.00	4
22	101048	SLIDE BLOCK	4
23	101146	ALUMINUM CHANNEL	2
24	102432	TENT, 08/09 SCOUT	1
25	102475	MANUAL, 08/09 SCOUT	1

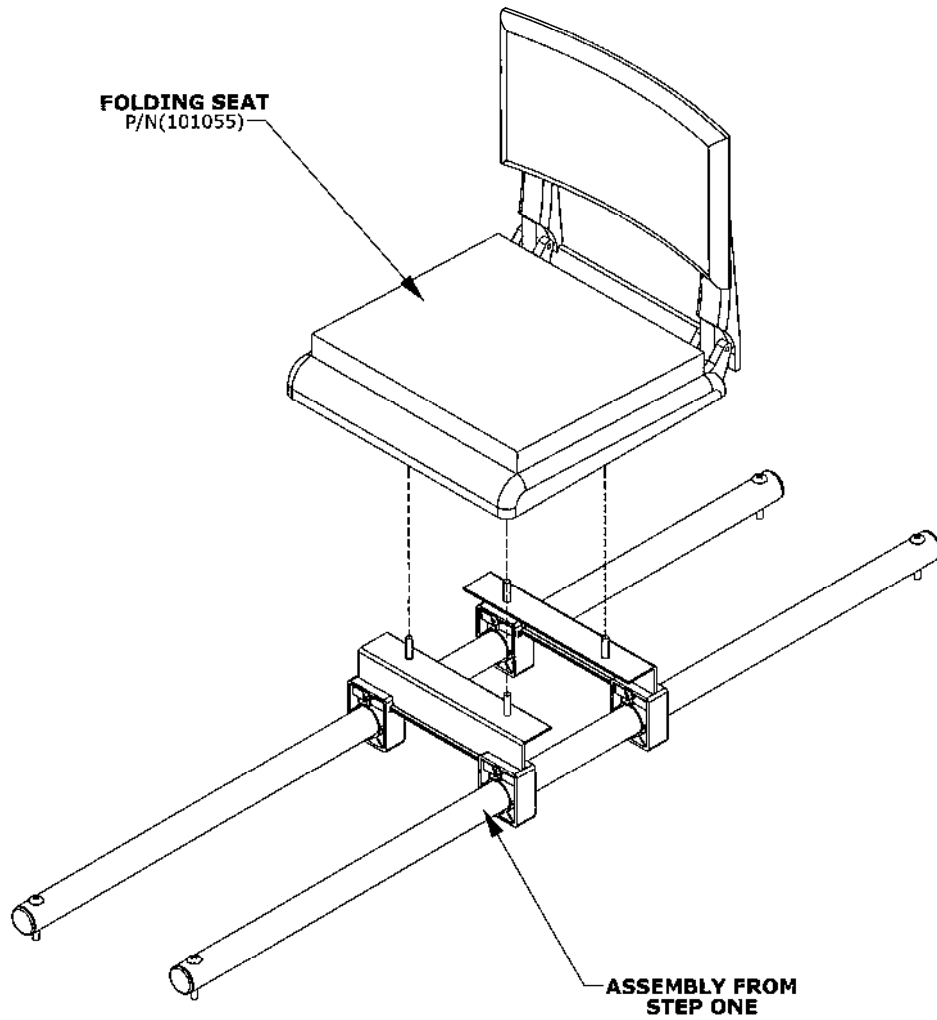
- Parts Diagram -



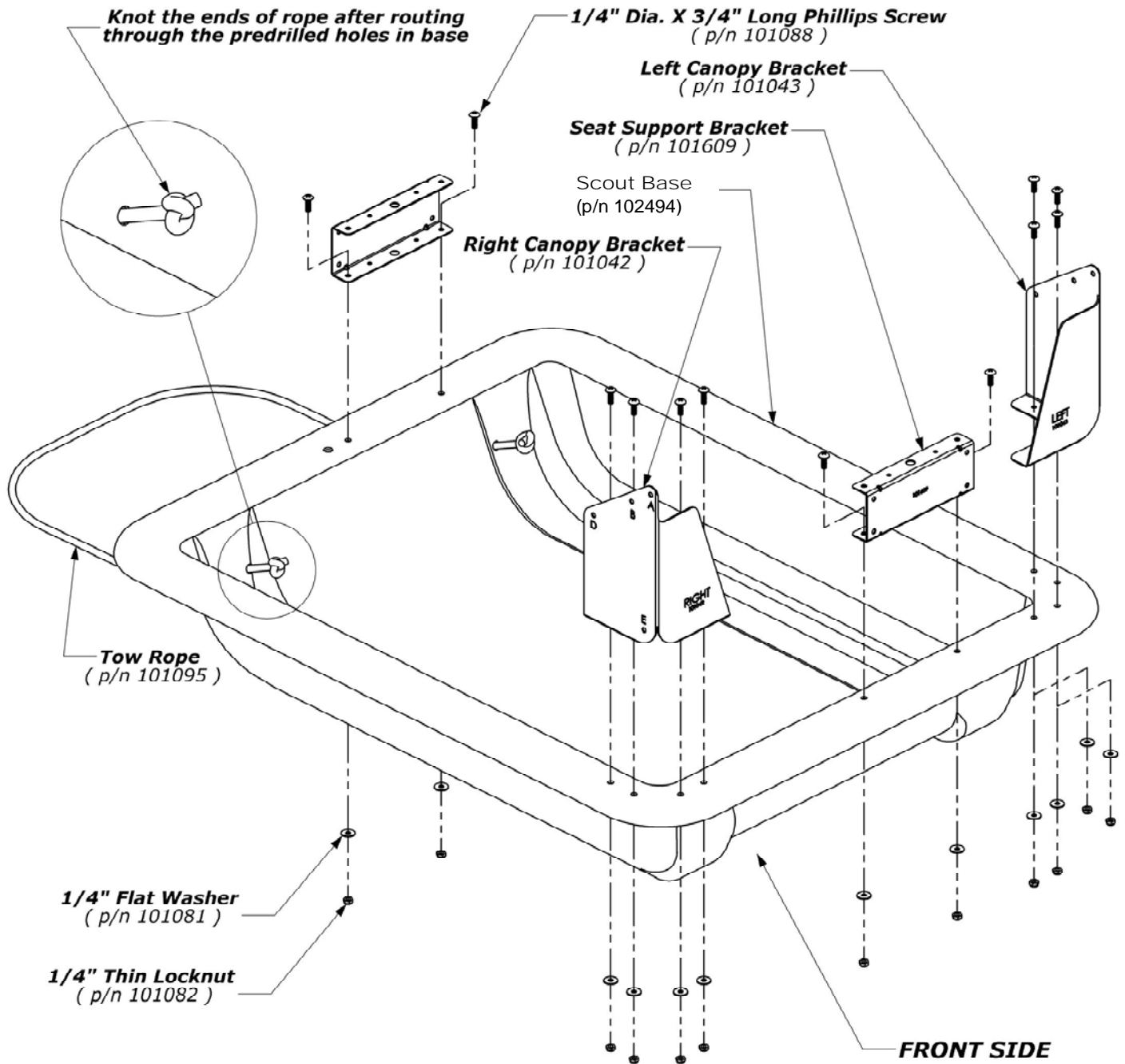
- Step One -



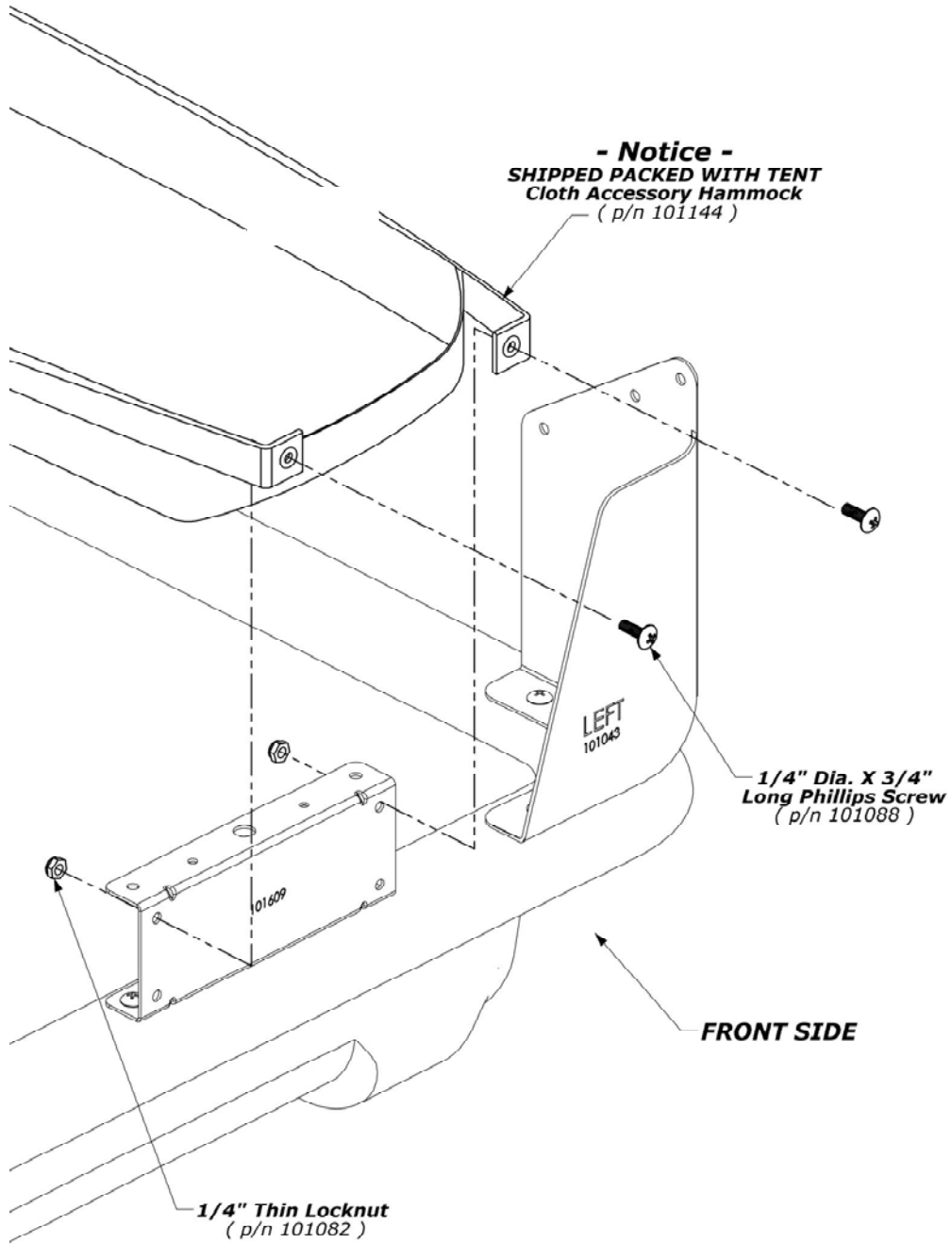
- Step Two -



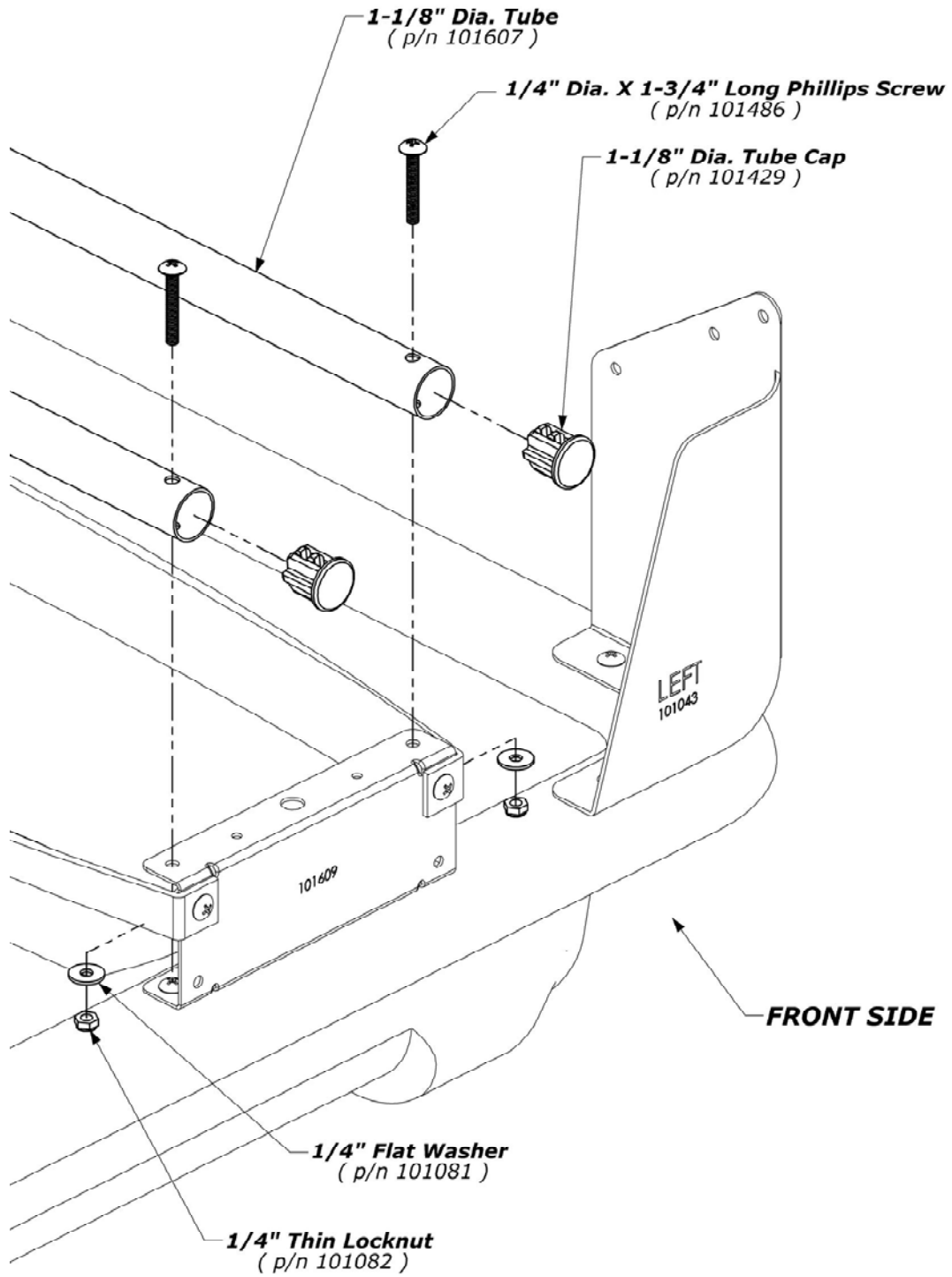
- Step Three -



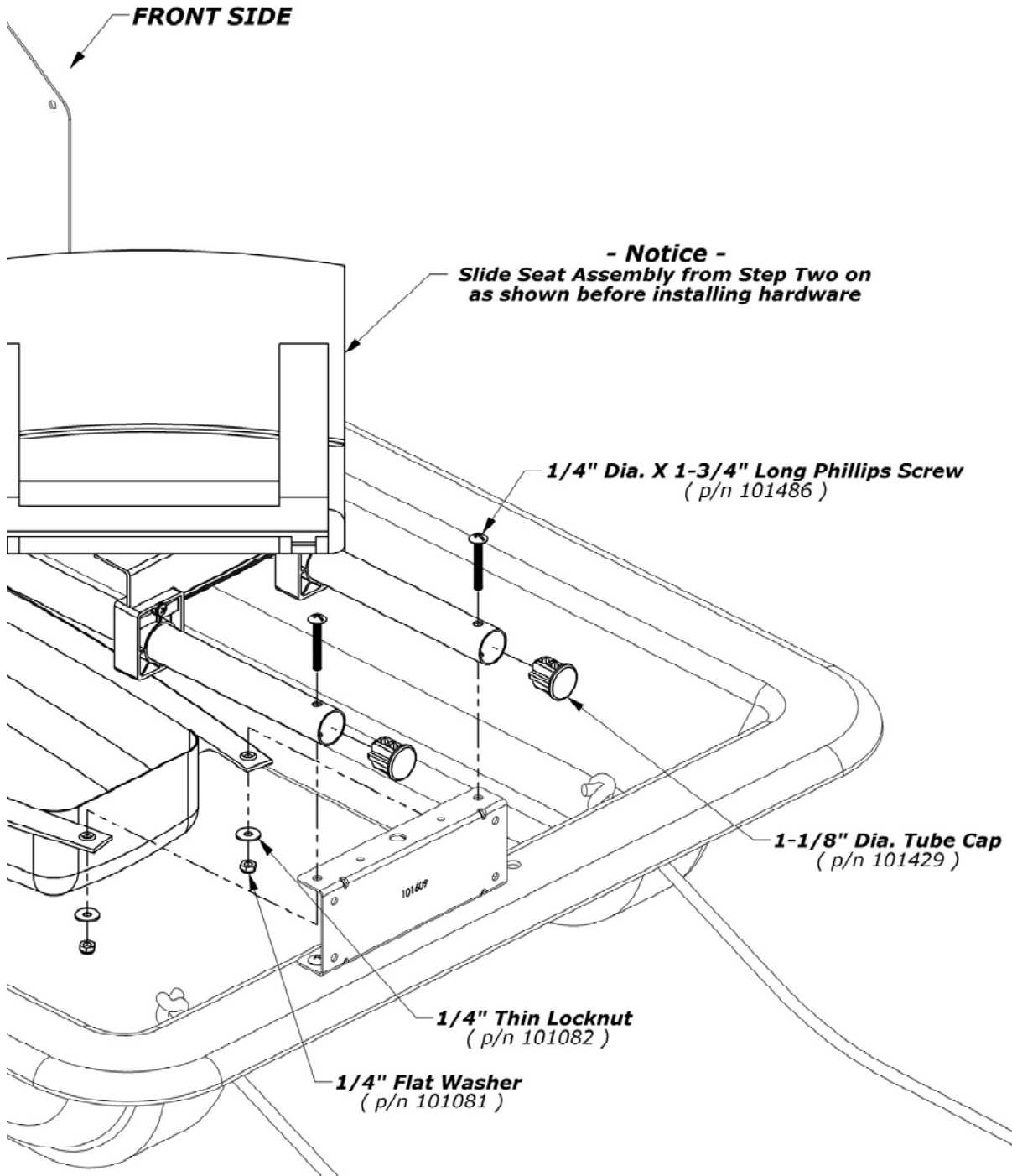
- Step Four -



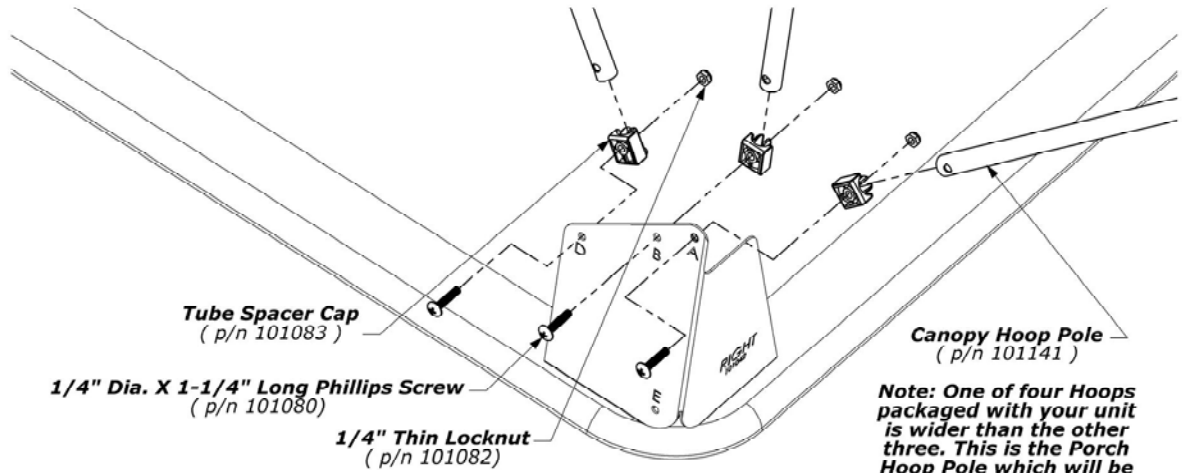
- Step Five -



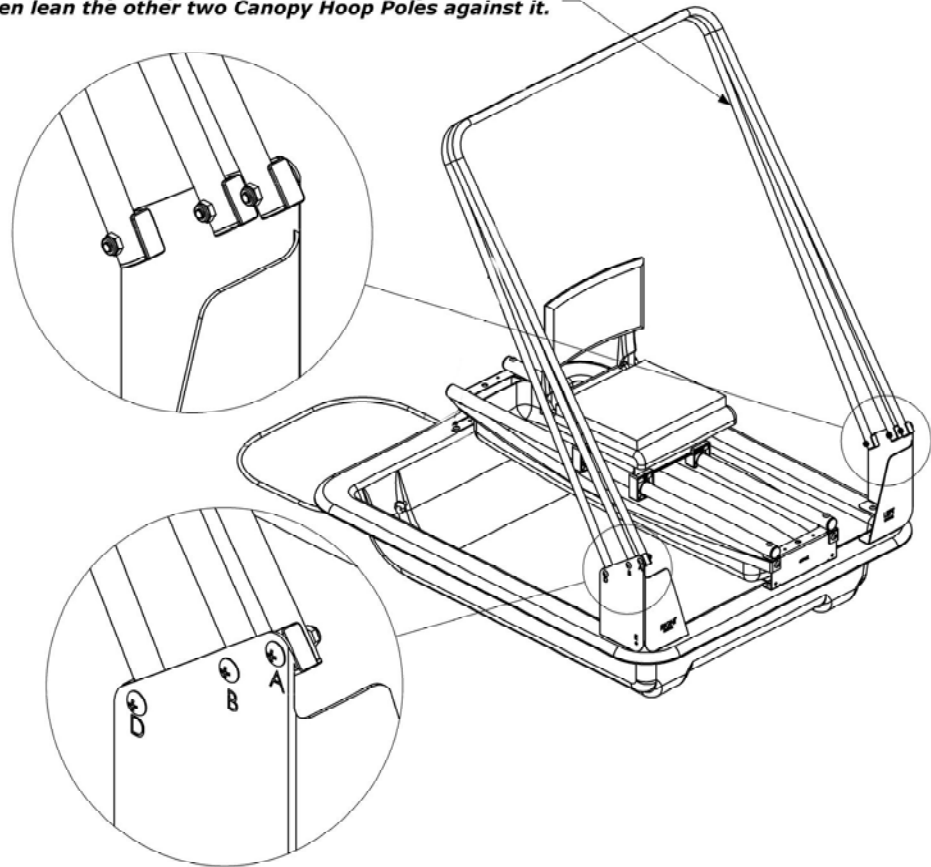
- Step Six -



- Step Seven -

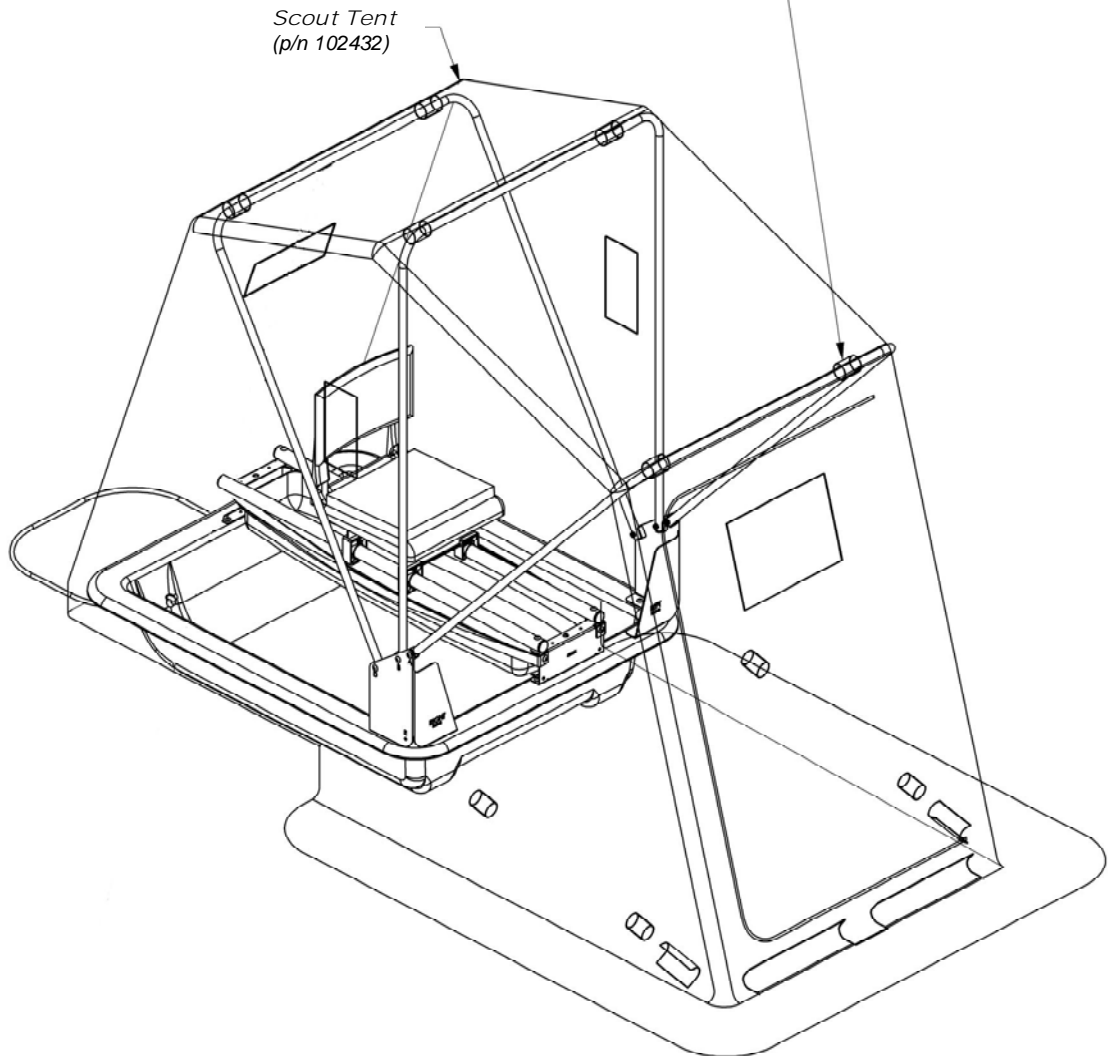


- Support the first Canopy Hoop Pole with the Rear Adjustable Spreader Pole, then lean the other two Canopy Hoop Poles against it.



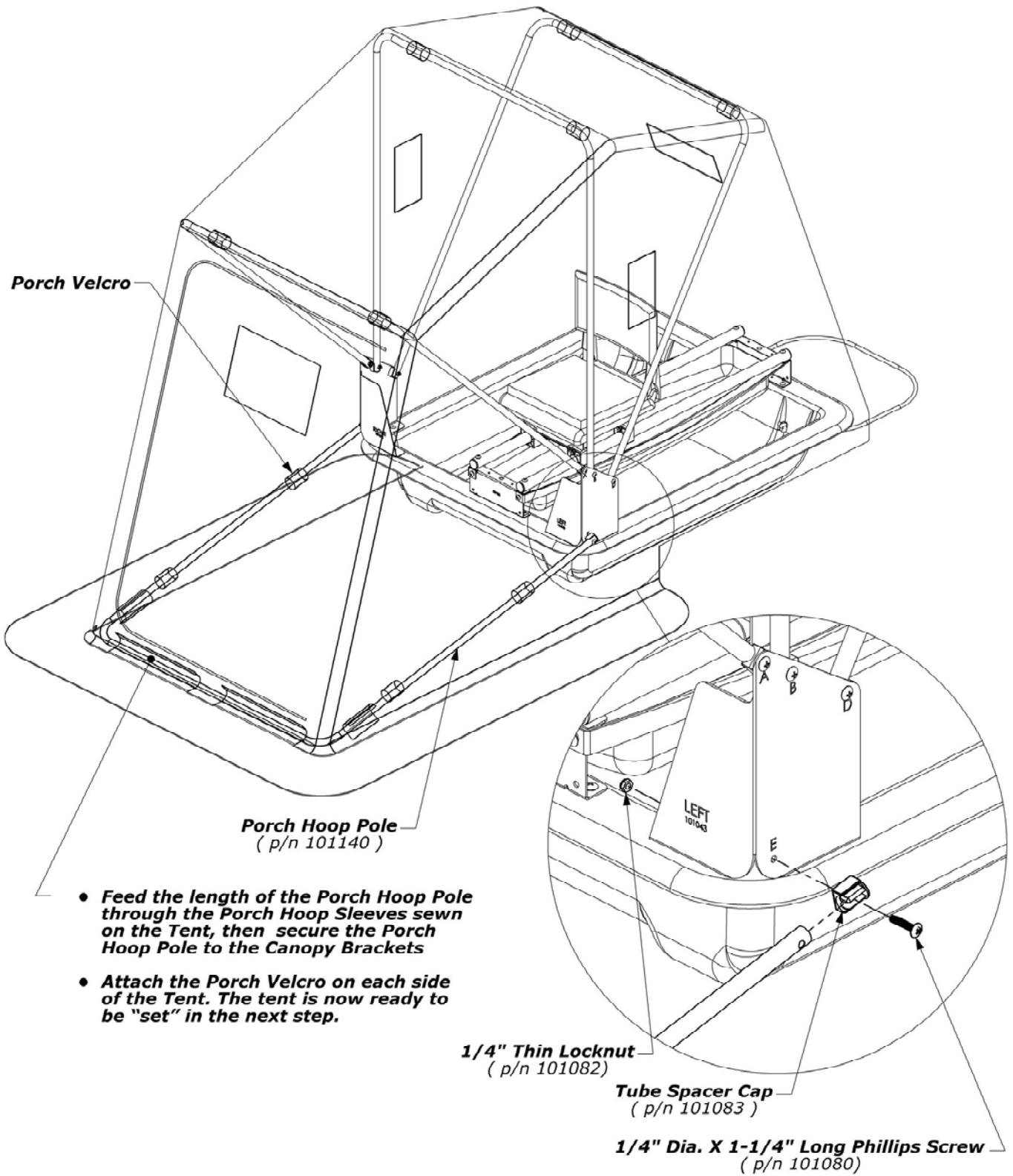
- Step Eight -

- ***Drape the Tent over the supported Canopy Hoop Poles and then go inside and spread them out as you attach the Roof Velcro.***



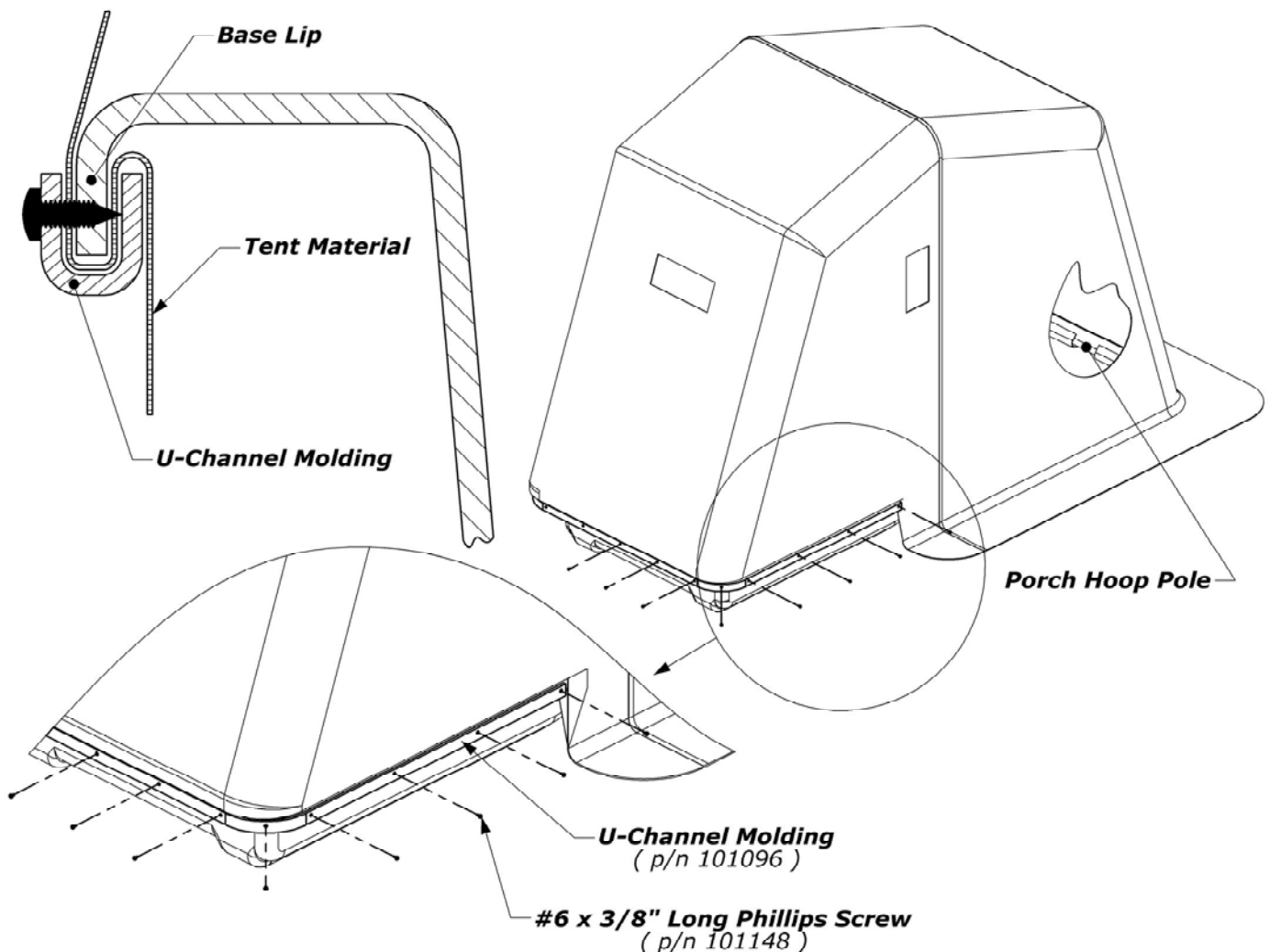
Remove the Rear Adjustable Spreader Pole after you have fastened the Roof Velcro.

- Step Nine -



- Step Ten -

- To "set" the Tent, grasp the Tent Material at the rear of the shelter and pull it downward. Observe the porch area of the tent lifting accordingly as you pull. When the U-Channel Molding is correctly installed, the Porch Hoop Pole will lightly touch the floor.
- To achieve this condition, start by finding the center of the Molding. From behind the unit, pull the midpoint of the Tent downward and fold the Tent Material under the Base Lip. Press the midpoint of the Molding over the Tent material and Base lip. Continue pressing outward in both directions until you have secured about twelve inches of Molding onto the Base.
- Having temporarily secured the Tent to the Base, take a walk around the unit. Readjust the Molding until you have verified the proper Porch Hoop Pole position and also that the Tent sides and corners are properly proportioned.
- When satisfied, continue applying the Molding around the shelter, one direction from center and then the other, pulling the material as you go so that surface is relatively wrinkle-free and snug. Use a side-cutters to trim the ends of the Molding if they are not equal relative to Base.
- If everything still looks good, secure the Molding with the #6 Phillips Screws. Evenly space them about every ten to twelve inches, and also put a screw in the center of both corners. Since there aren't any predrilled holes, it's advisable to use a powered driver for this operation.



- Set-up & Take Down -

Set-Up - Rotate the hoop poles forward, then position and expand the adjustable spreader pole in the rear of the unit to take the slack out of the tent. Tighten the tension knob on the rear adjustable spreader pole to hold its position.

Take-Down - Go around the shelter and tuck the tent material in between the rested hoops to keep the tent from spilling out of the base and contacting the ground. Also make sure that the tent is clear of the canopy brackets edges and other items in the base which might cause rubbing and premature wear to the tent. If you purchased the optional travel cover, cover your shelter to protect your gear from the elements during transport.

- Safety Instructions -

PLEASE FULLY UNDERSTAND AND FOLLOW ALL SAFETY INSTRUCTIONS AS OUTLINED. FAILURE TO DO SO COULD RESULT IN SEVERE INJURY OR DEATH.

- *Do not use open flame heaters in your ice shelter. Injury or death may result from fire if tent fabric is exposed to open flame. The tent is not fireproof, but the fabric is treated with a fire retardant that meets CPAI-84 specifications. Application of any foreign substance may render the flame retardant properties ineffective. Ice Armor fabric will melt when contact is made with hot surfaces (i.e., heaters).*
- *Death from asphyxiation may result from use of oxygen depleting heaters. Open all vents for fresh air ventilation.*
- *Never leave shelter unattended when set up.*
- *Due to the increase in traffic (snowmobiles, autos, etc.) on area lakes, ice fishing can be hazardous at night. If you choose to fish at night or in poor visibility conditions, be sure to take precautions with lights or reflectors to show drivers your whereabouts. Exterior reflectors must be visible at all times to reduce risk of collisions.*

- Warranty -

Clam Corporation warrants to the original retail purchaser that all Clams are free from manufacturer's defects for one (1) year from the date of original purchase. Warranty does not cover cracked windows, tent tears, broken or bent hoops due to high wind weather conditions or unattended use. Clam Corporation will replace or repair any part found defective within the one (1) year time limit. All parts must be returned to Clam Corporation. Before returning any parts, you must first call or write and acquire a return authorization. All returns must be returned postage-prepaid and include the original cash register receipt (date and purchase price).

Note: Please write the return authorization number on the outside of the package to help ensure the transaction gets processed swiftly and accurately.

- Limitation of Liability -

It is expressly understood that Clam Corporation's liability for its products, whether due to breach of warranty, negligence, strict liability, or otherwise, is limited to the repair of the product as stated above. Clam Corporation is not liable for any injury, loss, damage, or expense, whether direct or consequential, including but not limited to loss of use, income, profit, or damage to material arising in connection with the sale, installation, use of, inability to use, or the repair or replacement of Clam Corporation products. Clam Corporation reserves the right to make alterations or modifications in its products at any time, which in its opinion, may improve the performance and efficiency of the product. It shall not be obligated to make such alterations or modifications to products already in service.

Free Manuals Download Website

<http://myh66.com>

<http://usermanuals.us>

<http://www.somanuals.com>

<http://www.4manuals.cc>

<http://www.manual-lib.com>

<http://www.404manual.com>

<http://www.luxmanual.com>

<http://aubethermostatmanual.com>

Golf course search by state

<http://golfingnear.com>

Email search by domain

<http://emailbydomain.com>

Auto manuals search

<http://auto.somanuals.com>

TV manuals search

<http://tv.somanuals.com>