

Model No.

- 8354 -

p/n 108354

Specifications

- Height: 65" (14" packed)
- Width: 36 inches
- Depth: 173" (62" packed)
- Weight: 62 lbs.
- Instruction p/n 102552



- Clam Customer Service Information -

NOTICE!! Once used, this shelter cannot be returned to the store. If you have a warranty claim, have your sales receipt ready and contact Clam Corporation Customer Service by email inquiry or direct by calling:

- Customer Service Hrs: - 9am to 4pm, Mon. - Fri. Central Standard Time
- Clam Corporation
600 Clydesdale Trail
Medina, MN 55340
- Phone - 763-231-4120
- Fax - 763-231-4121
- Website – www.clamcorp.com
- Email – customerservice@clamcorp.com

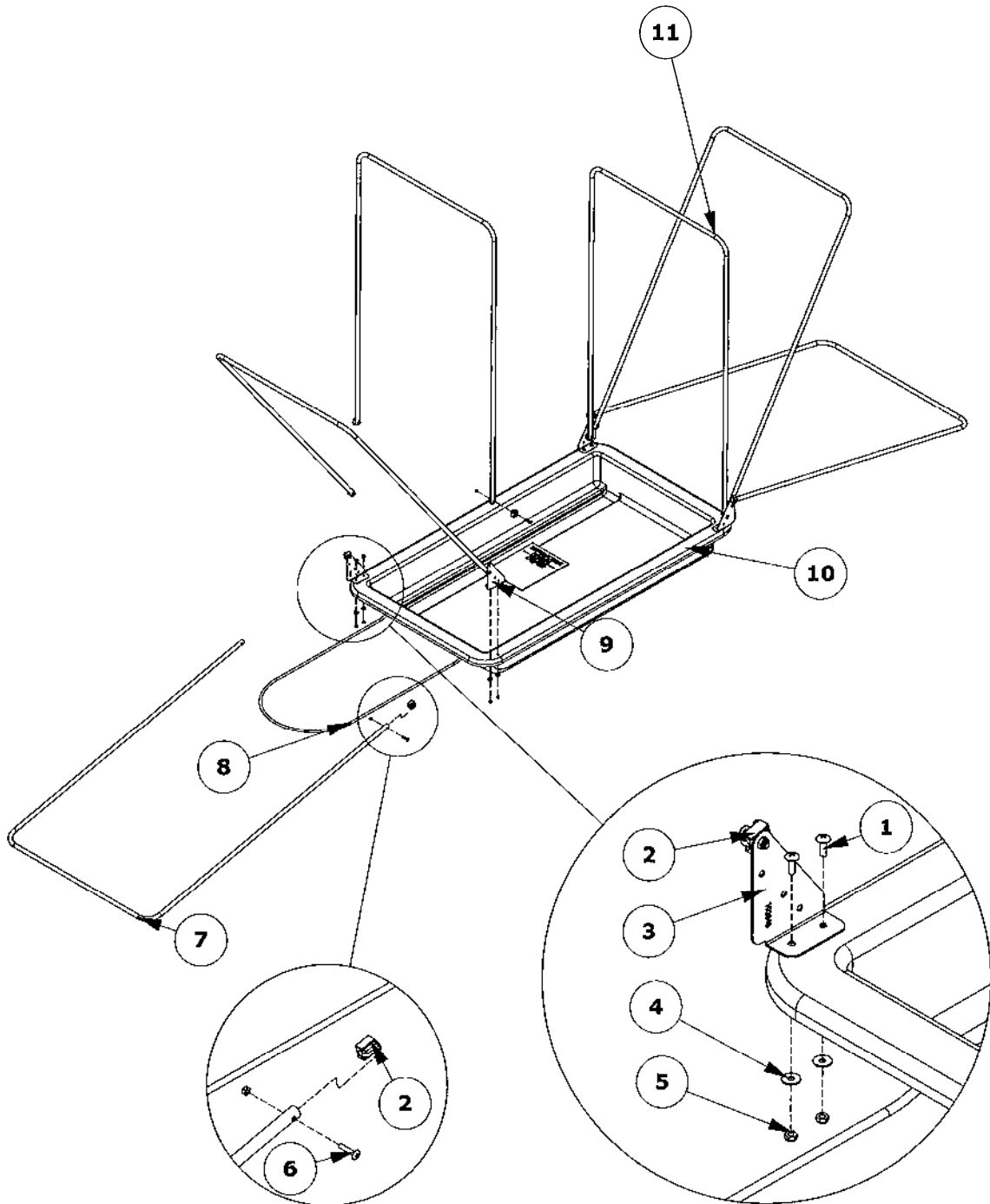


Clam Corporation cannot honor warranty without an original, dated receipt.

- Parts List -

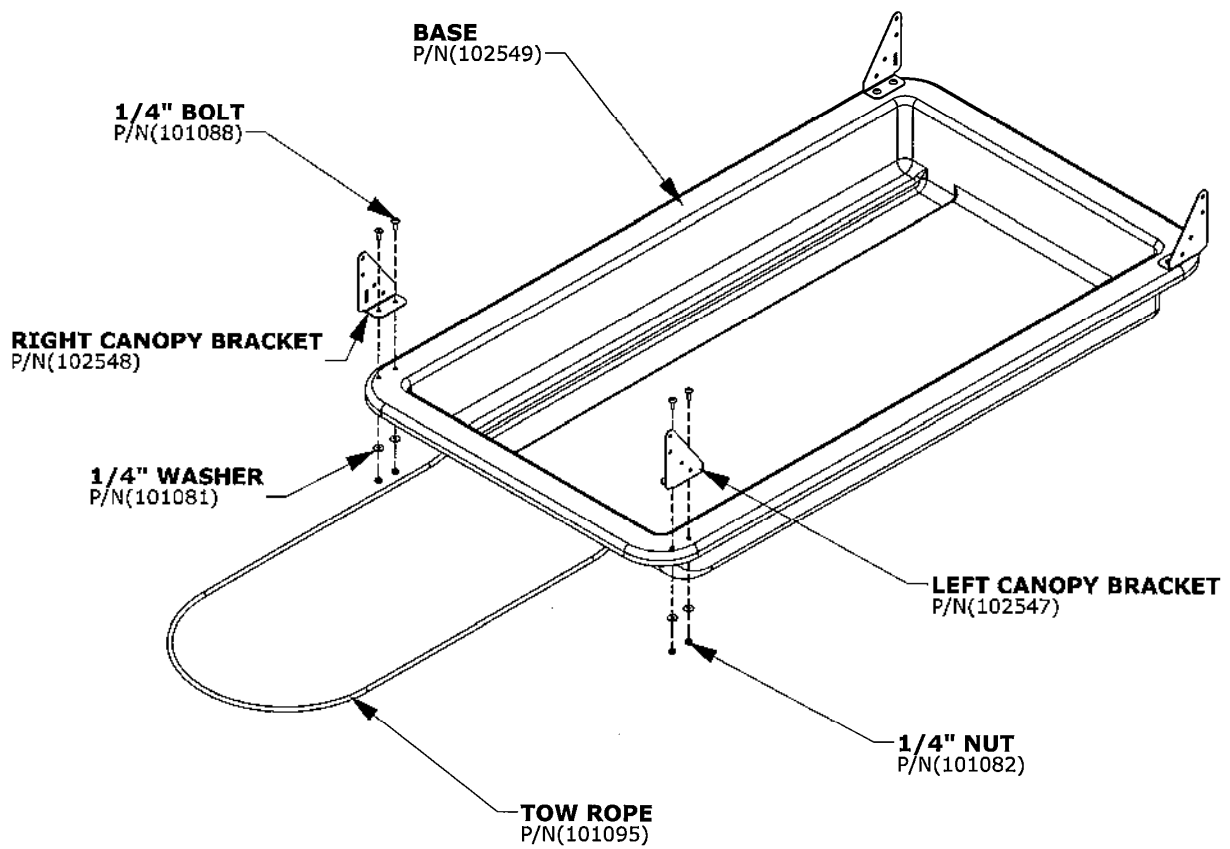
| ITEM NO. | PART NUMBER | DESCRIPTION | QTY. |
|----------|-------------|-----------------------------------|------|
| 1 | 101088 | SCREW, 1/4-20 X 0.75 | 8 |
| 2 | 101083 | TUBE SPACER CAP | 12 |
| 3 | 102548 | BRKT, RIGHT, 2 MAN BAK2BAK | 2 |
| 4 | 101081 | WASHER, 1/4 FLAT | 8 |
| 5 | 101082 | NUT, 1/4-20 THIN NYLOCK | 20 |
| 6 | 101080 | SCREW, 1/4-20 X 1.25 | 12 |
| 7 | 102012 | XL PORCH HOOP POLE | 2 |
| 8 | 101095 | TWO ROPE, 3/8 DIA X 9 FT | 1 |
| 9 | 102547 | BRKT, LEFT, 2 MAN BAK2BAK | 2 |
| 10 | 102549 | BASE, 2 MAN BAK2BAK 08-09 | 1 |
| 11 | 102011 | XL CANOPY HOOP POLE | 4 |
| 12 | 102552 | INSTRUCTIONS, 2 MAN BAK2BAK 08/09 | 1 |
| 13 | 102015 | TENT, 2 MAN BAK2BAK | 1 |

- Parts Diagram -



- Step One -

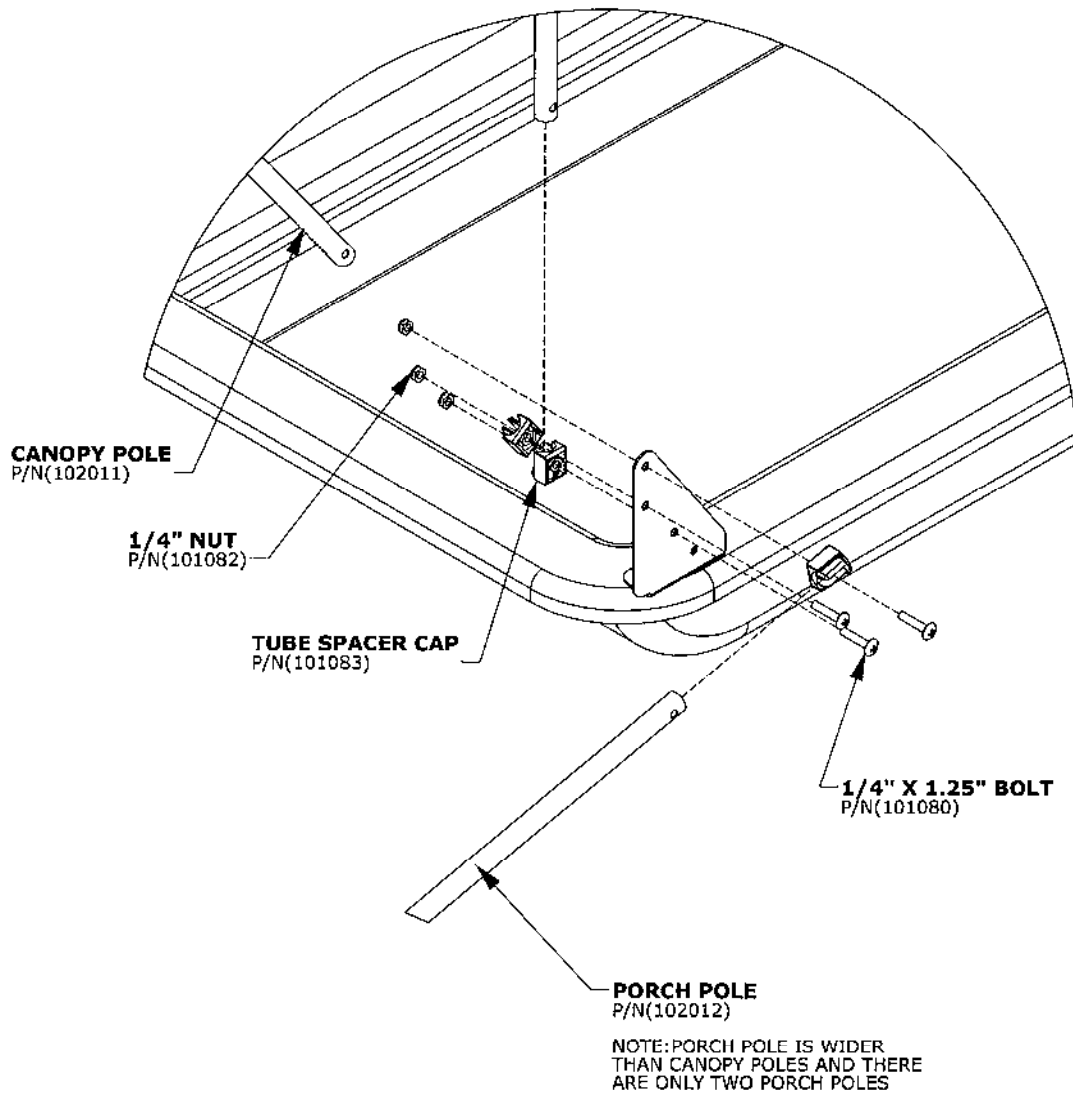
Install canopy brackets on all four sides of the base as shown. Insert tow rope.



- Step Two -

Install the canopy poles and spacer caps as shown with the 1/4 x 1 1/4 bolts & nuts.

DO NOT install the porch poles at this time. The porch poles must be threaded through the tent before installing on the base.

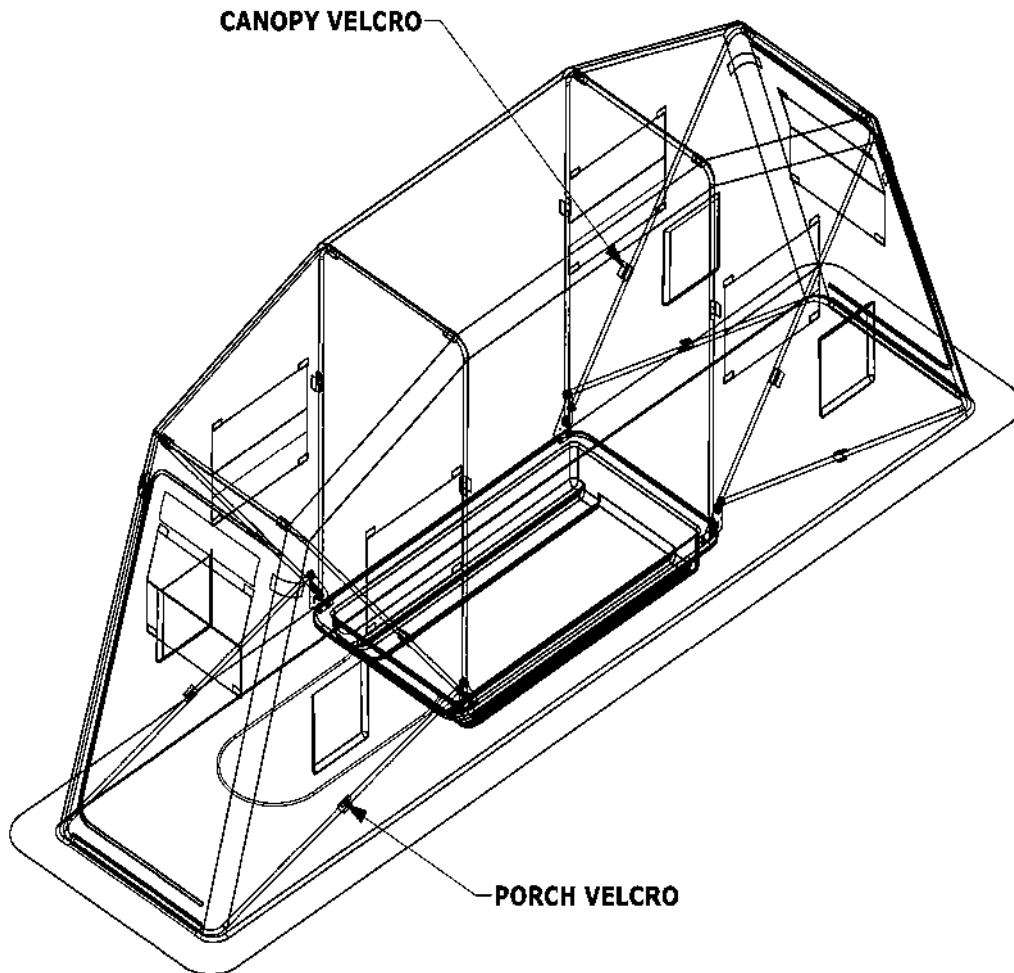


- Step Three -

Drape the tent over the supported hoops then go inside and spread out the Canopy Hoop Poles, attaching the roof velcro as you go.

Feed the length of the porch hoop poles through the porch hoop sleeves sewn on the tent. Attach the canopy poles to the canopy brackets as outlined in step 2.

Attach the porch velcro on each side of the Tent. Fasten any remaining Velcro straps.



- Tips for Use -

Folding and transporting your Fish Trap is easy:

- *Just lift the porch poles on either end to collapse the shelter. Rotate all retracted hoops to the resting position. Tuck the tent into the base and between the hoops so that no material is left hanging on the ground for transport.*
- *Cover with the Travel Cover* (an optional but recommended accessory to help prolong the life of the unit). Tow the unit out to your favorite fishing spot! (NOTE: continuous pulling behind a four wheeler or snowmobile may result in premature wear of the base. We recommend the optional Wear Strips* be mounted to the base of your Fish Trap).*
- *Make sure your Ice Shelter is completely dried out before storing for long periods of time. Store your Ice Shelter in a cool, dry place. Keep away from rodents.*

**See our accessory catalog or www.clamcorp.com for these items and more!*

- Safety Instructions -

PLEASE FULLY UNDERSTAND AND FOLLOW ALL SAFETY INSTRUCTIONS AS OUTLINED. FAILURE TO DO SO COULD RESULT IN SEVERE INJURY OR DEATH.

- *Do not use open flame heaters in your ice shelter. Injury or death may result from fire if tent fabric is exposed to open flame. The tent is not fireproof, but the fabric is treated with a fire retardant that meets CPAI-84 specifications. Application of any foreign substance may render the flame retardant properties ineffective. Ice Armor fabric will melt when contact is made with hot surfaces (i.e., heaters).*
- *Death from asphyxiation may result from use of oxygen depleting heaters. Open all vents for fresh air ventilation.*
- *Never leave shelter unattended when set up*
- *Due to the increase in traffic (snowmobiles, autos, etc.) on area lakes, ice fishing can be hazardous at night. If you choose to fish at night or in poor visibility conditions, be sure to take precautions with lights or reflectors to show drivers your whereabouts. Exterior reflectors must be visible at all times to reduce risk of collisions.*

- Warranty -

Clam Corporation warrants to the original retail purchaser that all Clams are free from manufacturer's defects for one (1) year from the date of original purchase. Warranty does not cover cracked windows, tent tears, broken or bent hoops due to high wind weather conditions or unattended use. Clam Corporation will replace or repair any part found defective within the one (1) year time limit. All parts must be returned to Clam Corporation, Inc. Before returning any parts, you must first call or write and acquire a return authorization. All returns must be returned postage-prepaid and include the original cash register receipt (date and purchase price).

Note: Please write the return authorization number on the outside of the package to help ensure the transaction gets processed swiftly and accurately.

- Limitation of Liability -

It is expressly understood that Clam Corporation's liability for its products, whether due to breach of warranty, negligence, strict liability, or otherwise, is limited to the repair of the product as stated above. Clam Corporation is not liable for any injury, loss, damage, or expense, whether direct or consequential, including but not limited to loss of use, income, profit, or damage to material arising in connection with the sale, installation, use of, inability to use, or the repair or replacement of Clam Corporation products. Clam Corporation reserves the right to make alterations or modifications in its products at any time, which in its opinion, may improve the performance and efficiency of the product. It shall not be obligated to make such alterations or modifications to products already in service.

Free Manuals Download Website

<http://myh66.com>

<http://usermanuals.us>

<http://www.somanuals.com>

<http://www.4manuals.cc>

<http://www.manual-lib.com>

<http://www.404manual.com>

<http://www.luxmanual.com>

<http://aubethermostatmanual.com>

Golf course search by state

<http://golfingnear.com>

Email search by domain

<http://emailbydomain.com>

Auto manuals search

<http://auto.somanuals.com>

TV manuals search

<http://tv.somanuals.com>