

Model No.

- 8836 -

Specifications

- Height - 60 inches
- Length - 75 inches
- Width - 30 inches
- Weight - 47 lbs.

p/n 108203

FISH TRAP[®]



SCOUT



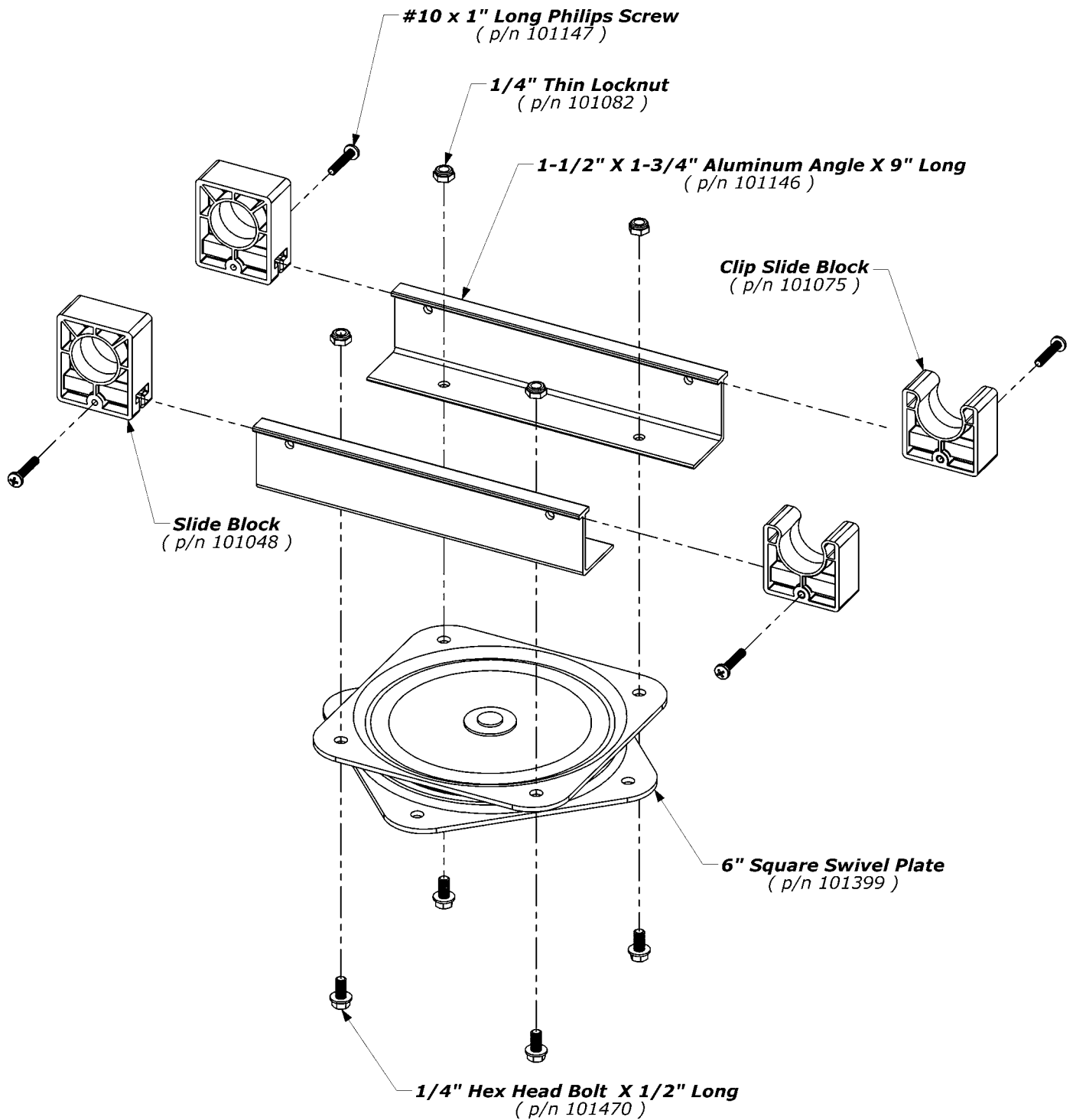
- Clam Customer Service Information -

NOTICE!! - ONCE USED, THIS SHELTER CANNOT BE RETURNED TO THE STORE. IF YOU HAVE A WARRANTY CLAIM, PLEASE CONTACT CLAM CORP. CUSTOMER SERVICE BY EMAIL INQUIREY OR DIRECT BY CALLING:

- **Customer Service Hrs:** - 9am to 4pm, Mon. - Fri. Central Standard Time
- **Clam Corporation, Inc.**
15600 28th Ave N
Plymouth, MN 55447
- **Phone** - 763-231-4120
- **Fax** - 763-231-4121
- **Email** - customerservice@clamcorp.com
- **Website** - www.clamcorp.com



- Step One -

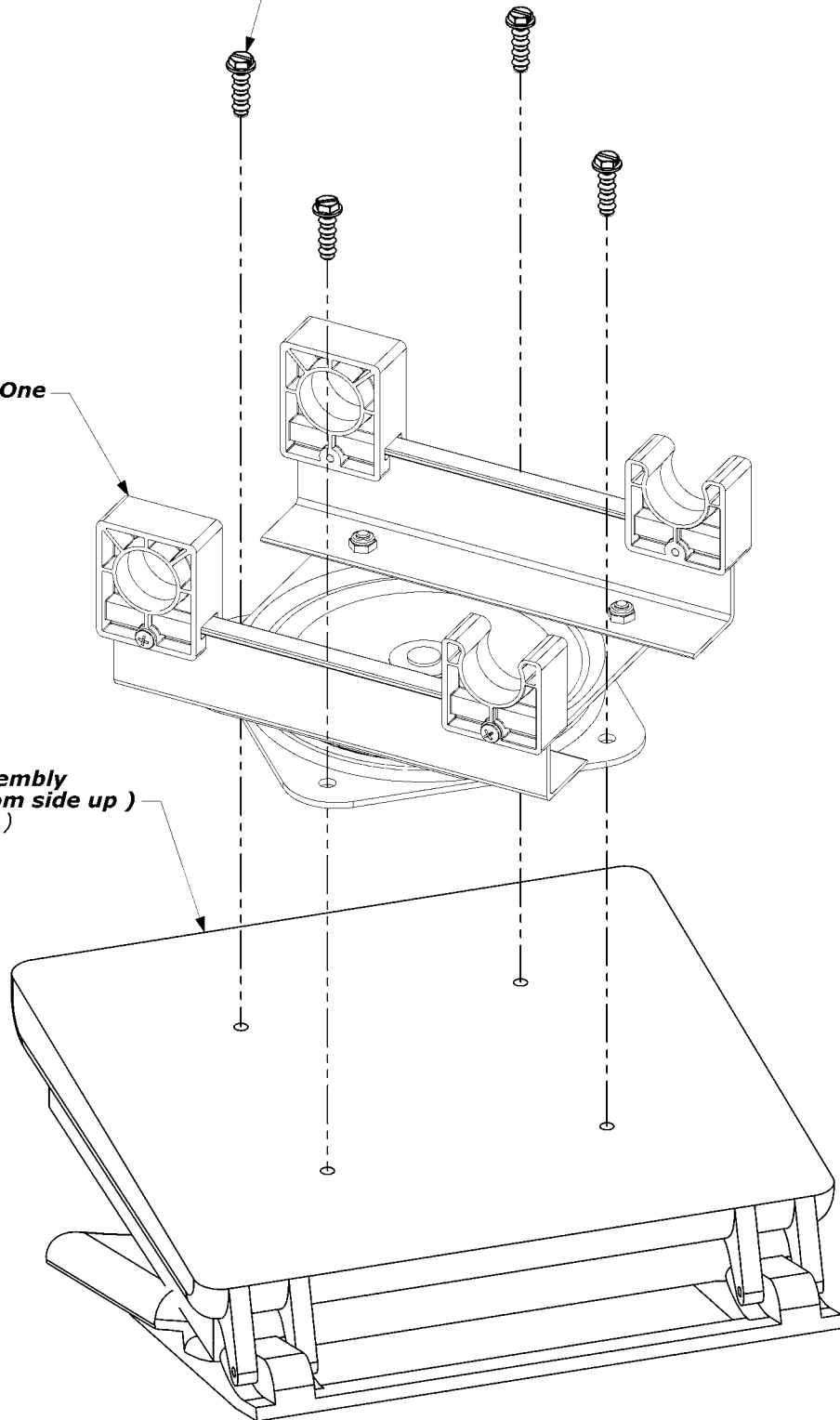


- Step Two -

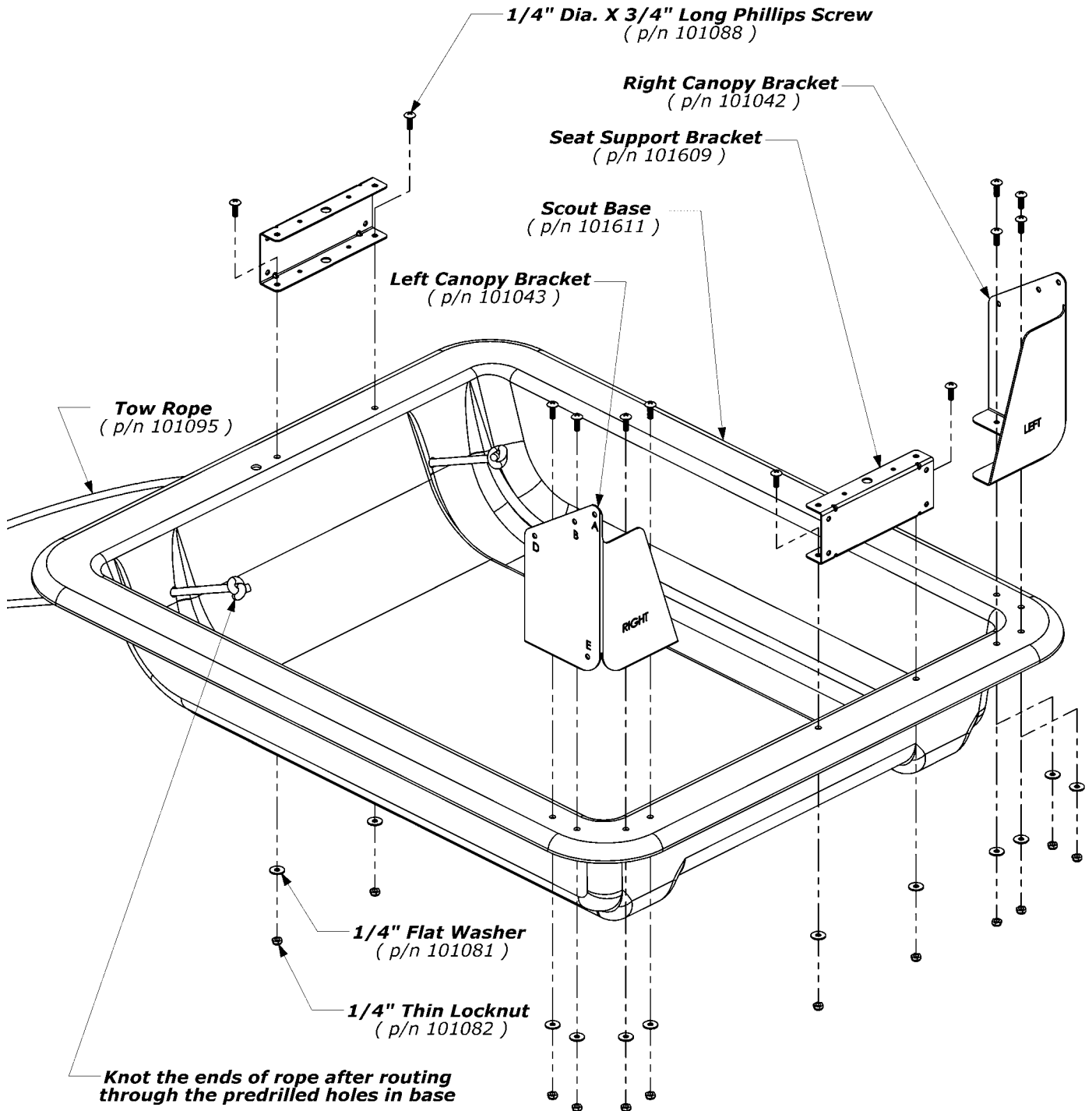
1/4" Dia. Hex Head Hi-Low Screw X 1" Long
(p/n 101097)

Assembly from Step One

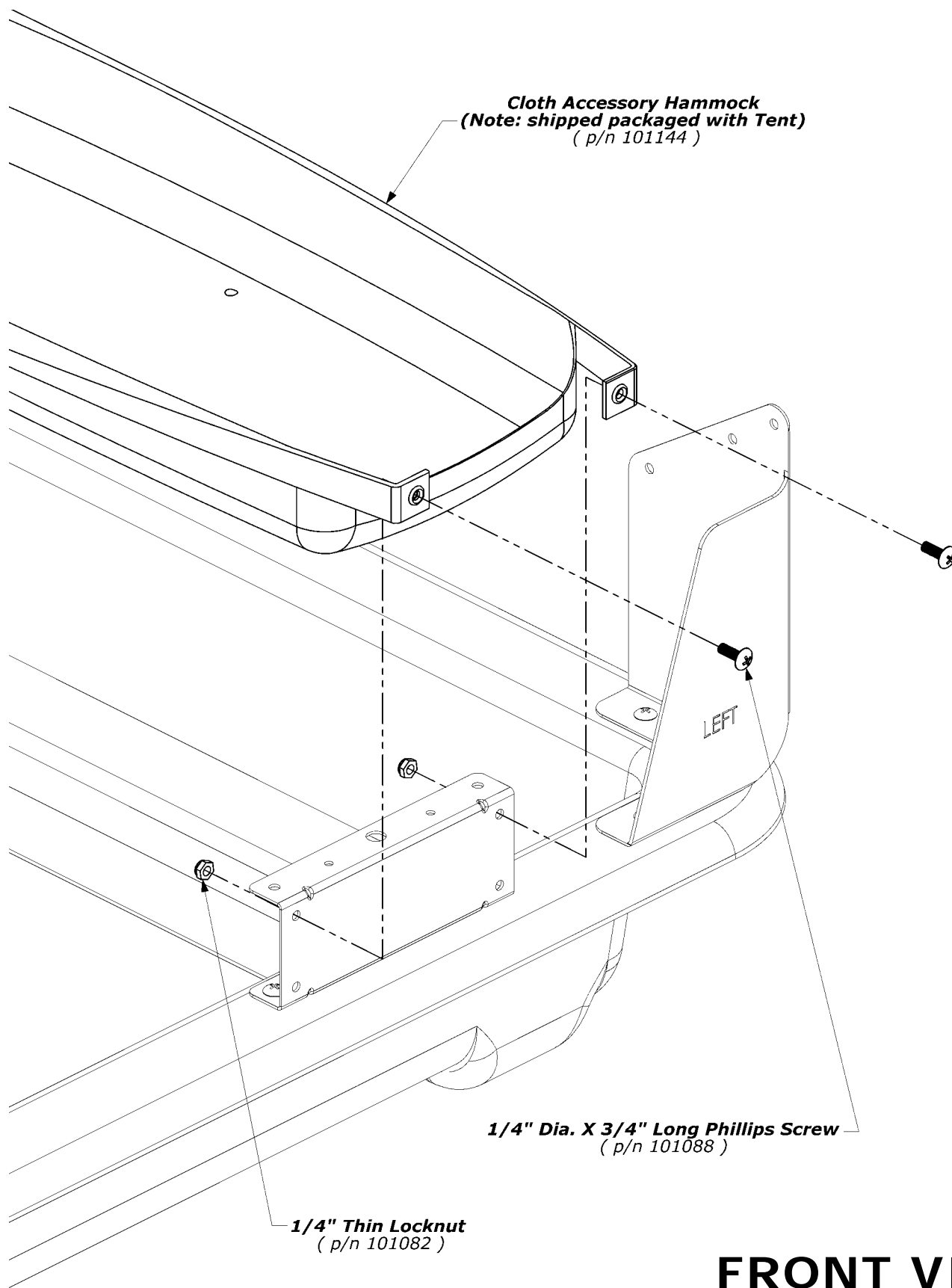
Folding Seat Assembly
(shown folded & bottom side up)
(p/n 101055)



- Step Three -

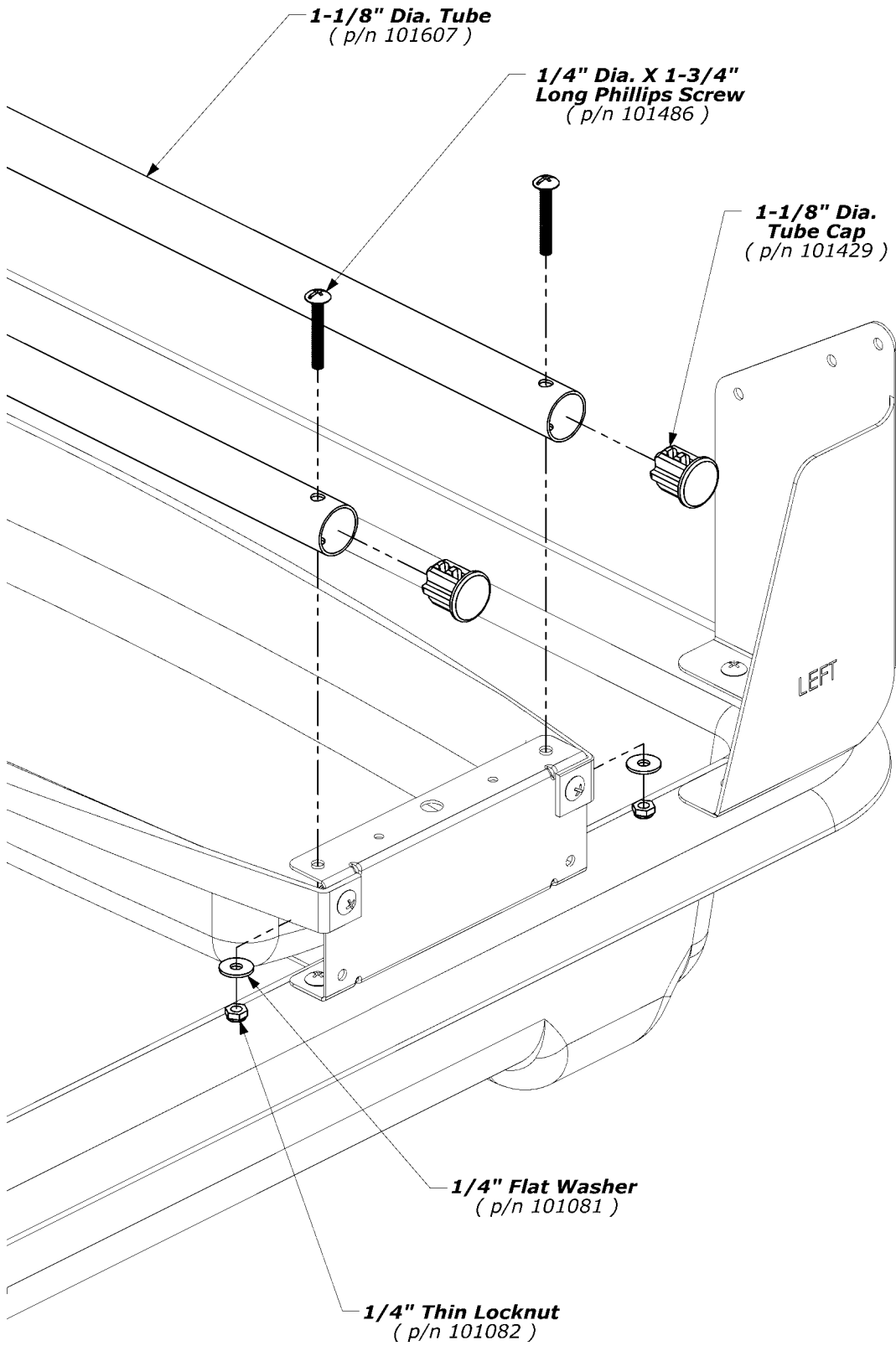


- Step Four -



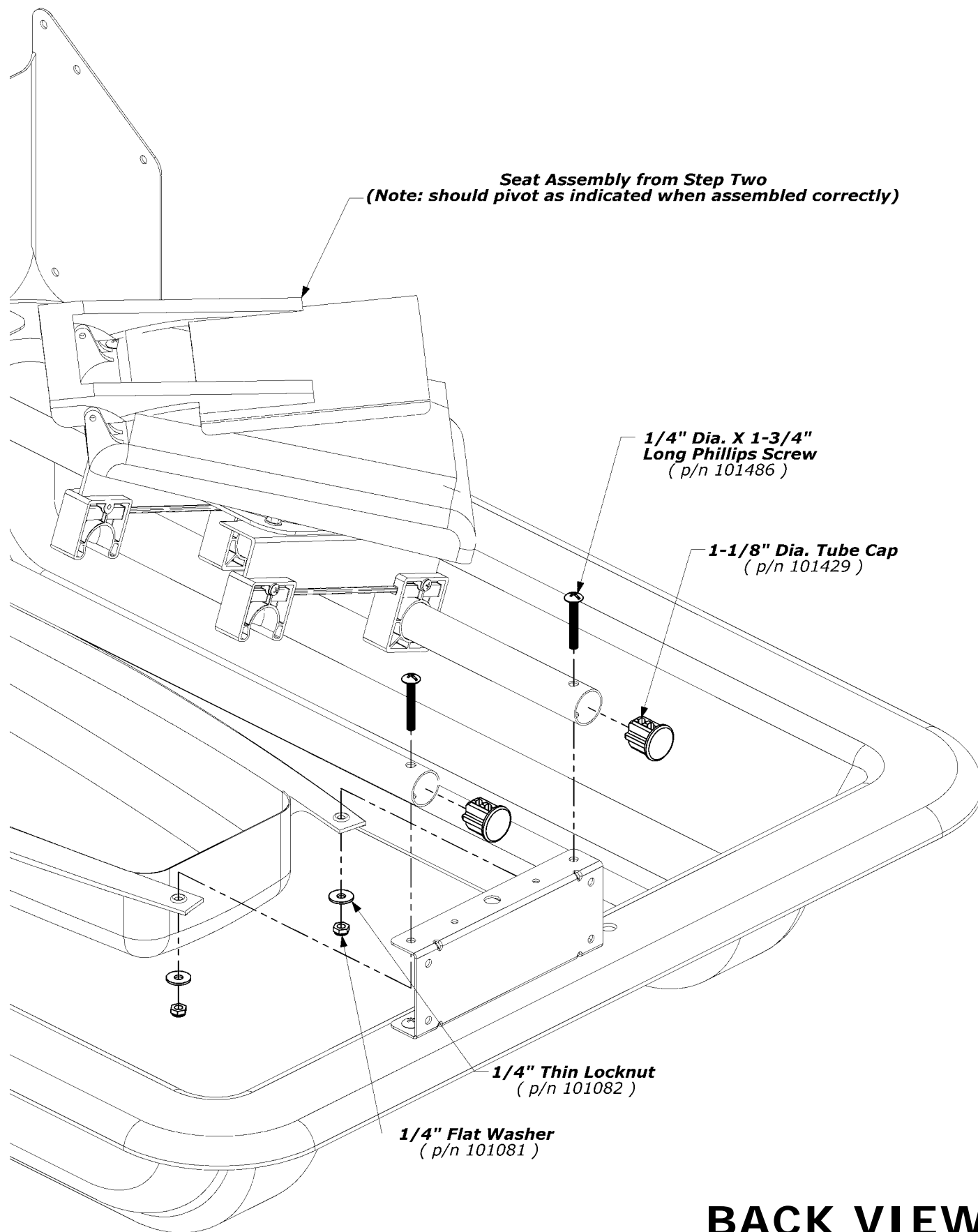
FRONT VIEW

- Step Five -

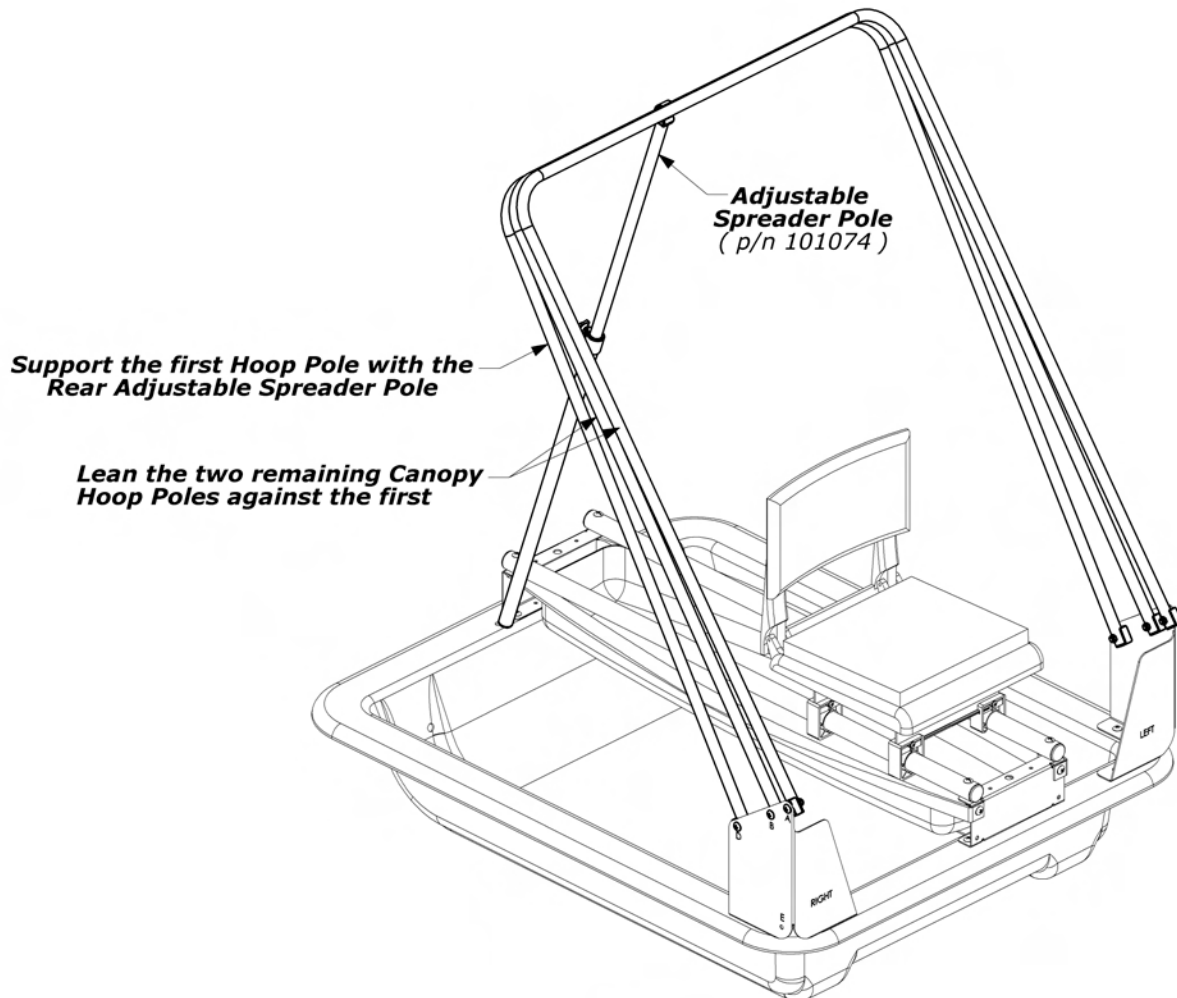
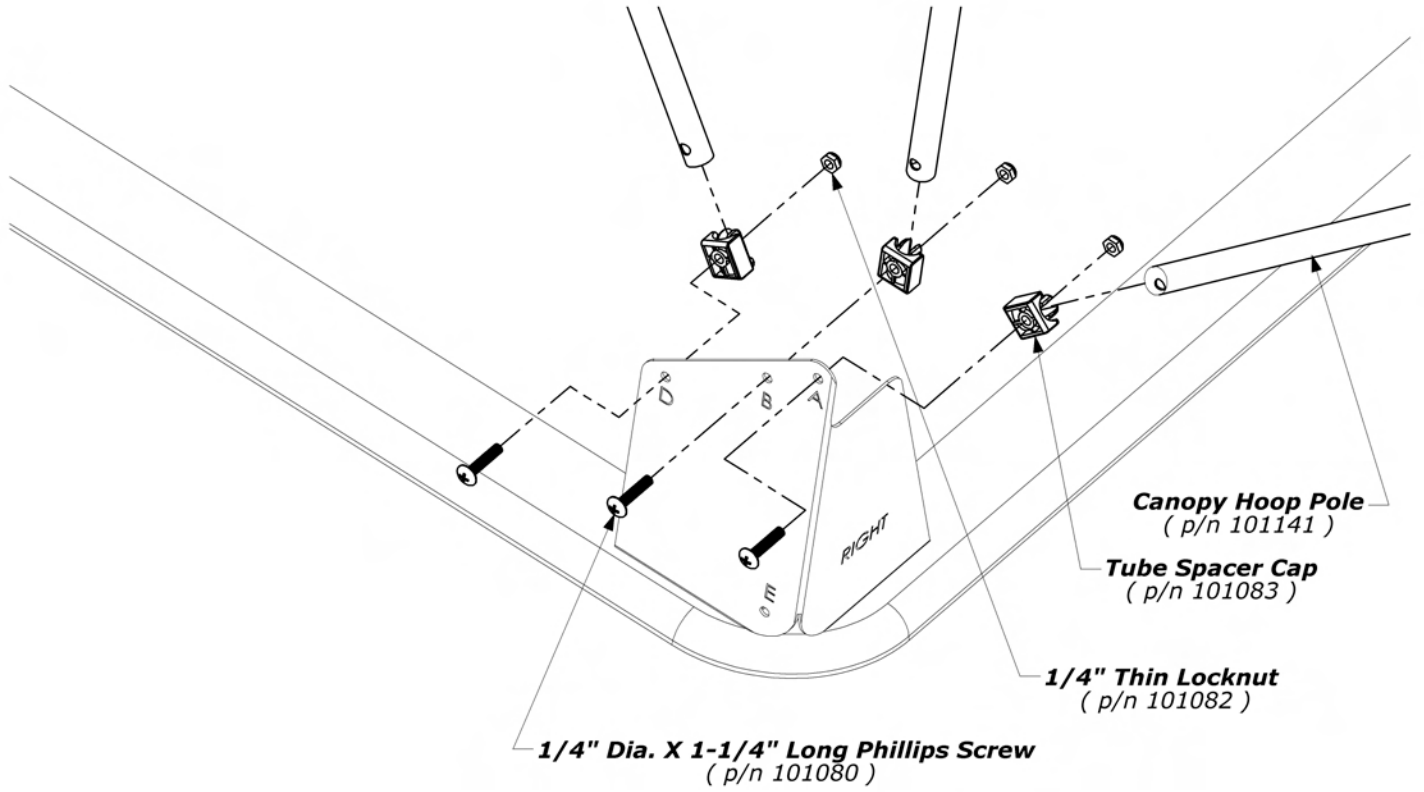


FRONT VIEW

- Step Six -

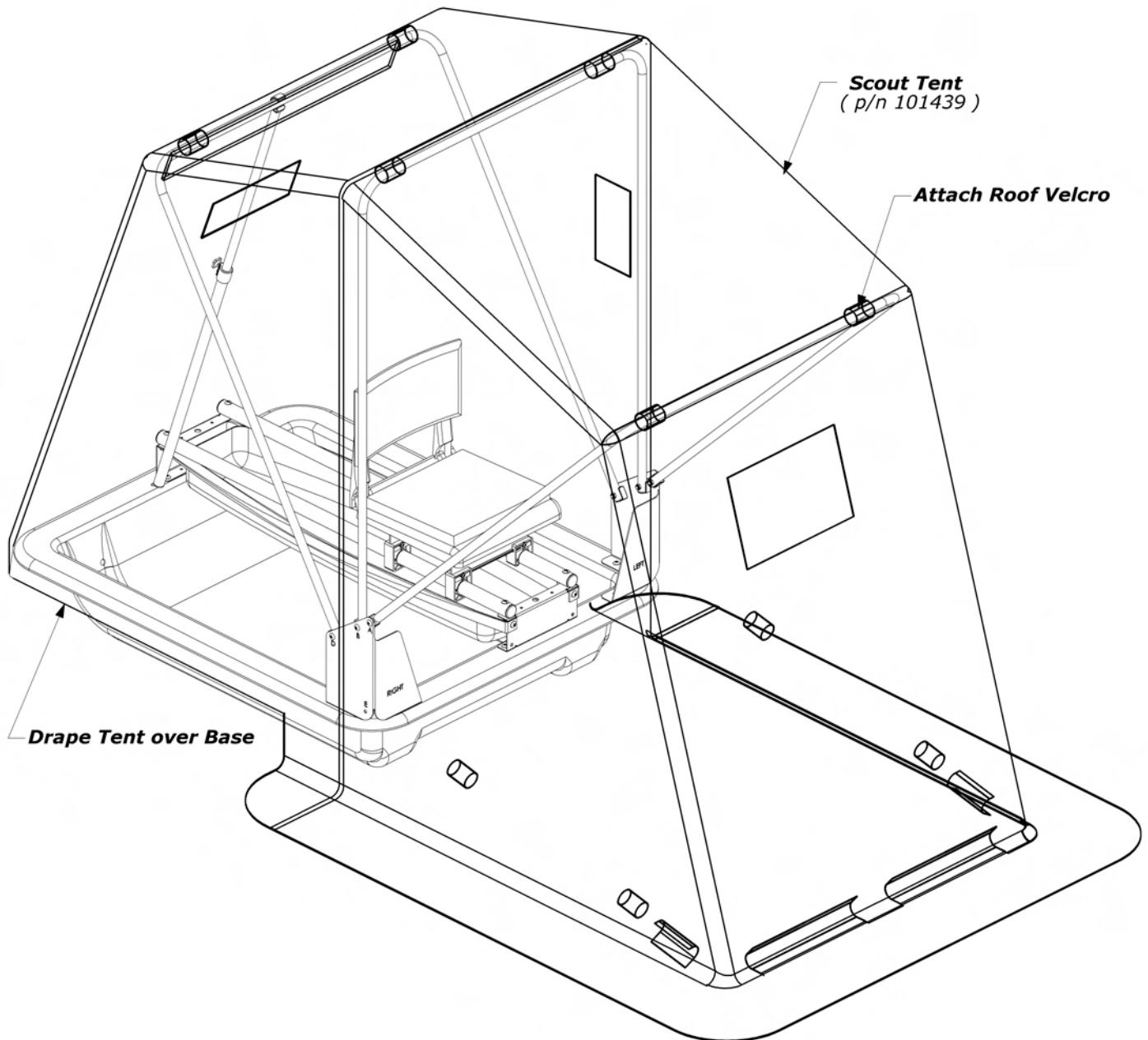


- Step Seven -



- Step Eight -

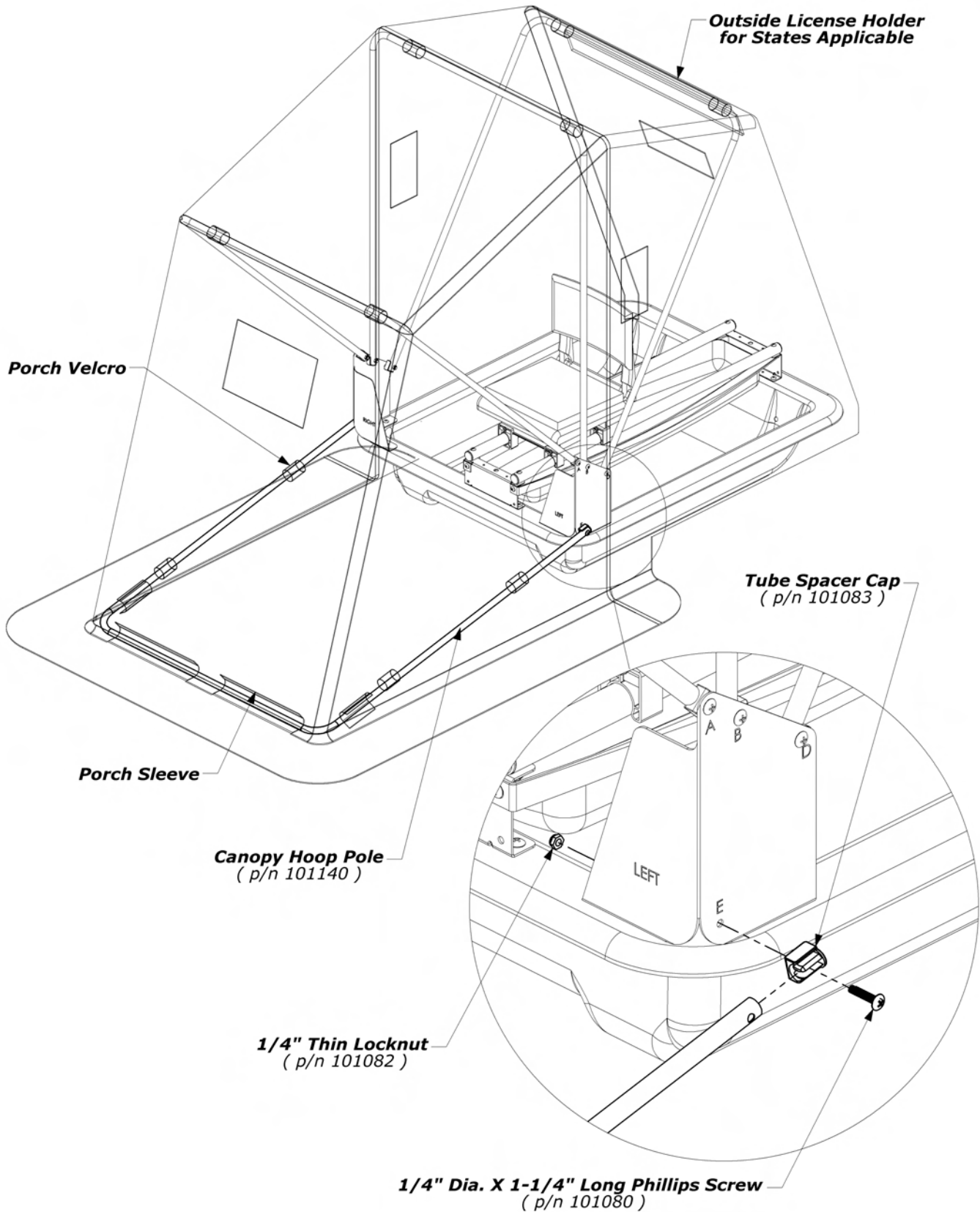
Drape the Tent over the supported hoops then go inside and spread out the Canopy Hoop Poles, attaching the Roof Velcro as you go.



- Step Nine -

Feed the length of the Porch Hoop Pole through the Porch Hoop Sleeves sewn on the Tent. Secure the Porch Hoop Pole to the Canopy Brackets.

Attach the Porch Hoop Velcro on each side of the Tent. Remove the Rear Adjustable Spreader Pole now supporting the hoops to allow the tent to be "set" in the next step.



- Step Ten -

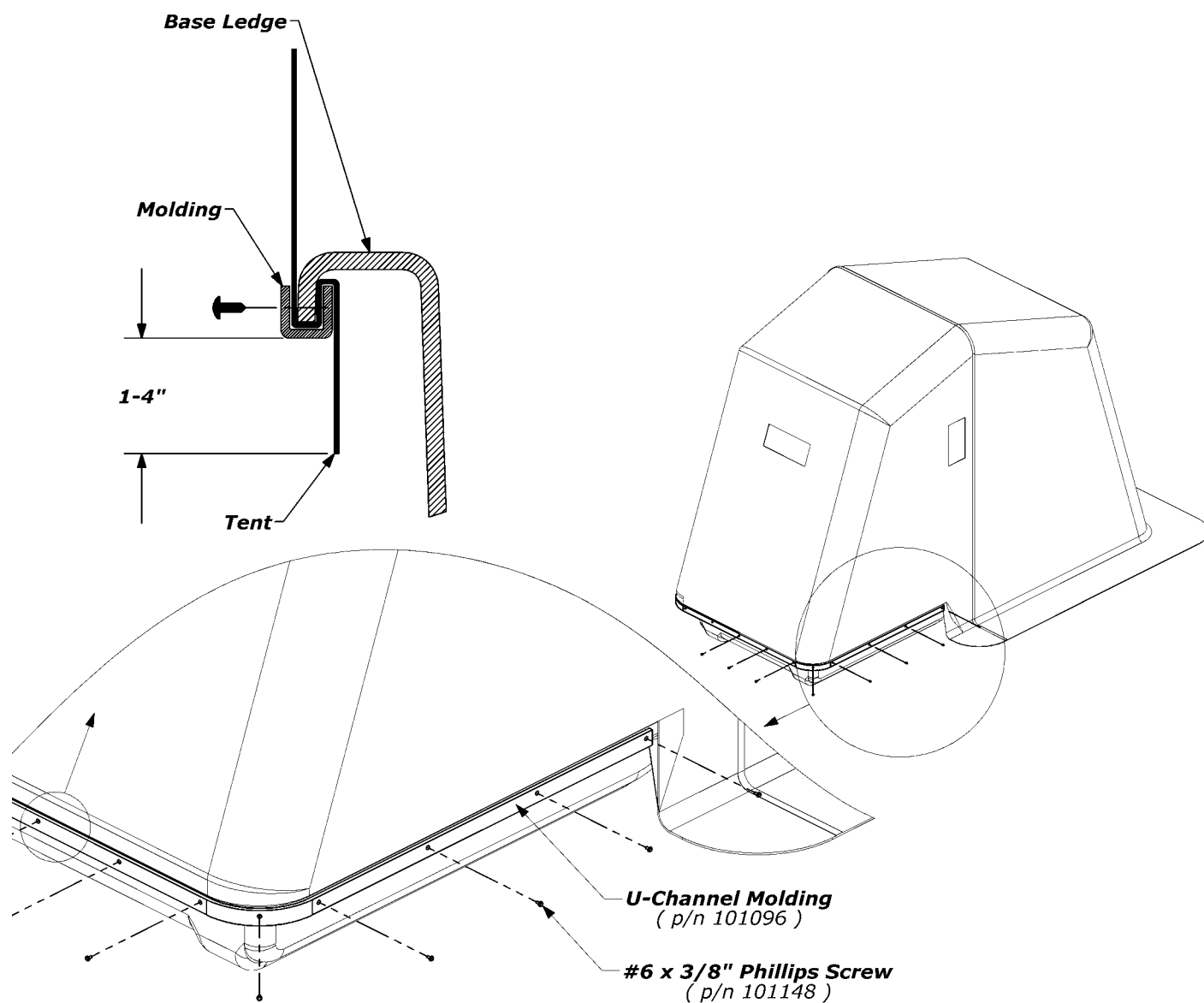
To "set" the tent, grasp the tent material at the rear of the shelter and pull it downward. Observe the porch area of the tent lifting accordingly as you pull. When the U-Channel Molding is correctly installed, the Porch Hoop Pole will lightly touch the floor/ice.

To achieve this condition, start by finding the center of the Molding. From behind the unit, pull the midpoint of the Tent downward and fold the Tent material under the lip of the base. Then press the midpoint of the molding over the Tent material and Base lip. Continue pressing outward in both directions until you have secured about twelve inches of material to the base

Having temporarily secured the tent to the base, take a walk around the unit. Readjust the Molding until you have verified the proper Porch Hoop Pole position and also that the tent sides and corners are properly proportioned.

When satisfied, continue applying the Molding around the shelter, one direction from center and then the other, pulling the material as you go so that surface is relatively wrinkle-free and snug. You may need to trim the molding ends if they are not equal.

Reinstall the Adjustable Spreader Pole to tighten the fit of the tent. If everything still looks good, secure the Molding with the #6 Phillips Screws. Evenly space them about every ten to twelve inches, and also put a screw in the center of both corners. Since there aren't any predrilled holes, it's advisable to use a powered driver for this operation.



- Tips for Use -

Folding and transporting your Fish Trap is easy:

- *Unsnap the Rear Spreader Pole and lay it in the bottom of the base.*
- *Rotate all hoops to the resting position. Tuck the tent into the base and between the hoops so that no material is left hanging on the ground for transport.*
- *Cover with the Travel Cover* (an optional but recommended accessory to help prolong the life of the unit). Tow the unit out to your favorite fishing spot! (NOTE: continuous pulling behind a four wheeler or snowmobile may result in premature wear of the base. We recommend the optional Wear Strips* be mounted to the base of your Fish Trap).*

Make sure your Ice Shelter is completely dried out before storing for long periods of time. Store your Ice Shelter in a cool, dry place. Keep away from rodents.

**See our accessory catalog or www.clamcorp.com for these items and more!*

- Safety Instructions -

Please fully understand and follow all safety instructions as outlined. Failure to do so could result in severe injury or death.

- *Do not use open flame heaters in your ice shelter. Injury or death may result from fire if tent fabric is exposed to open flame. The tent is not fireproof, but the fabric is treated with a fire retardant that meets CPAI-84 specifications. Application of any foreign substance may render the flame retardant properties ineffective. Ice Armor fabric will melt when contact is made with hot surfaces (i.e., heaters).*
- *Death from asphyxiation may result from use of oxygen depleting heaters. Open all vents for fresh air ventilation.*
- *Never leave shelter unattended when set up.*
- *Due to the increase in traffic (snowmobiles, autos, etc.) on area lakes, ice fishing can be hazardous at night. If you choose to fish at night or in poor visibility conditions, be sure to take precautions with lights or reflectors to show drivers your whereabouts. Night time: exterior reflectors must be visible to reduce risk of collisions.*

- Warranty -

Clam Corporation, Inc. warrants to the original retail purchaser that all Clams are free from manufacturers defects for one (1) year from the date of the original purchase. Warranty does not cover cracked windows, tent tears, broken or bent hoops due to high wind weather conditions or unattended use. Clam Corporation will replace or repair any part found defective within the one (1) year time limit. All parts must be returned to Clam Corporation, Inc. Before returning any parts, you must first call or write and acquire a return authorization. All returns must be returned postage-prepaid and include the original cash register receipt (date and purchase price).

- Limitation of Liability -

It is expressly understood that Clam Corporation liability for its products, whether due to breach of warranty, negligence, strict liability, or otherwise, is limited to the repair of the product as stated above. Clam Corporation is not liable for any injury, loss, damage, or expense, whether direct or consequential, including but not limited to loss of use, income, profit, or damage to material arising in connection with the sale, installation, use of, inability to use, or the repair or replacement of Clam Corporation products. Clam Corporation reserves the right to make alterations or modifications in its products at any time, which in its opinion, may improve the performance and efficiency of the product. It shall not be obligated to make such alterations or modifications to products already in service.

Free Manuals Download Website

<http://myh66.com>

<http://usermanuals.us>

<http://www.somanuals.com>

<http://www.4manuals.cc>

<http://www.manual-lib.com>

<http://www.404manual.com>

<http://www.luxmanual.com>

<http://aubethermostatmanual.com>

Golf course search by state

<http://golfingnear.com>

Email search by domain

<http://emailbydomain.com>

Auto manuals search

<http://auto.somanuals.com>

TV manuals search

<http://tv.somanuals.com>