

# Clarion®

# SRK5

## Installation /Wire Connections Guide

### FEATURES

- High-powered amplifier with maximum of 50W output power.  
5-3/4" full range drivers in the front for high frequency response.  
2 low frequency drivers in the rear for mid bass reinforcement.  
This design delivers clear and stunning sound to your 5.1 surround sound system.
- Strong neodymium boron magnets are used in the speaker drivers to create powerful playback of audio signals, even though the speaker's drivers are 1" and less in diameter.
- Included in with the center speaker are mounting brackets and hardware to allow the unit to be installed just about anywhere, including a 1/2 din opening.

### ACCESSORIES

Item	Q'ty
Surface mount screws	8
Bracket mount screws	4
Brackets	2
Owner's Manual	1
Warranty Card	1

### SPECIFICATIONS

#### Amplifier

Rated Output	20W (1kHz @ into 4 Ohm at 1% THD)
Maximum Output	20W
Distortion	0.1% at 1.0W 1kHz
S/N	70dB (0dB=1kHz 1W 4 Ohm)
Input Sensitivity	200mV to 4V
Frequency Response	200Hz to 29kHz
Power Supply Voltage	10.8V to 15.6V
Current Consumption	3A
Dimensions	1-3/4"H x 3-3/8"W x 5-3/4"L
Weight	1lb

#### Speaker Box

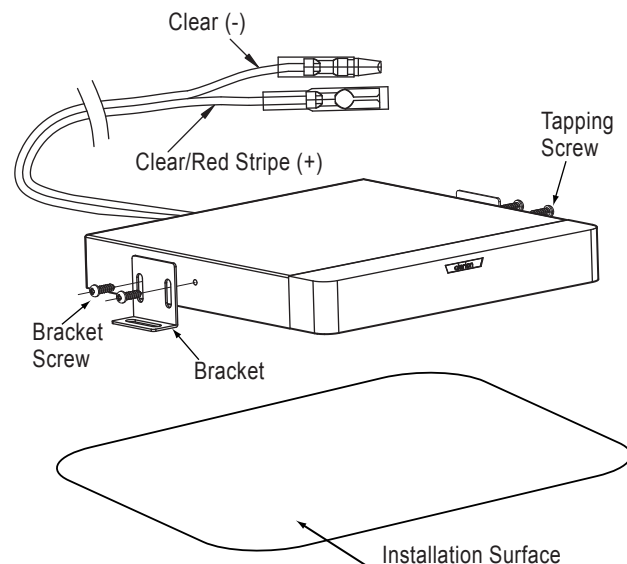
Five (5) - 3/4" Full Range Speakers	
Two (2) - 1" Low Frequency Speakers	
Peak Power Input	50W
Continuous Power Input	20W
Dimensions	1"H x 6-3/4"L x 6-1/2"L
Weight	0.5lb

### SPEAKER INSTALLATION

1. Determine desired location for speaker box and amplifier
  - insuring that access is available to all needed items (i.e. power source, audio signal input, gain control, etc.).
2. Install speaker box mounting brackets using provided screws (if needed).
3. Mount amplifier using provided screws.
4. Connect the speaker wire from amplifier to speaker's box.
5. Connect the RCA to your processor or head unit RCA output.
6. Connect the ground cable from amplifier to a proper grounding connection on the vehicle chassis.
7. Connect the DC power to amplifier.
8. Adjust amplifier gain appropriately.

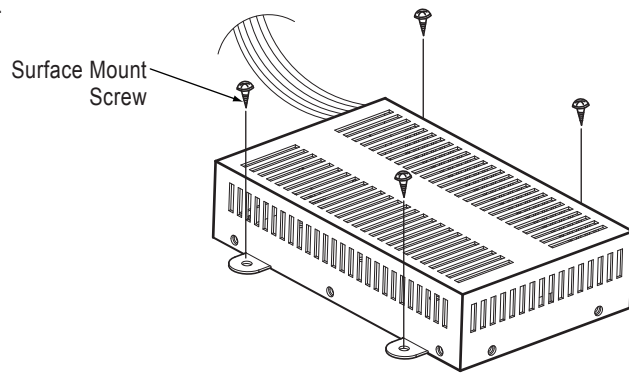
#### ⚠ WARNING

Installation of the unit should not be in a location that would interfere with the vehicle safety air bag or placed in a location that could cause danger or damage to the unit or person.

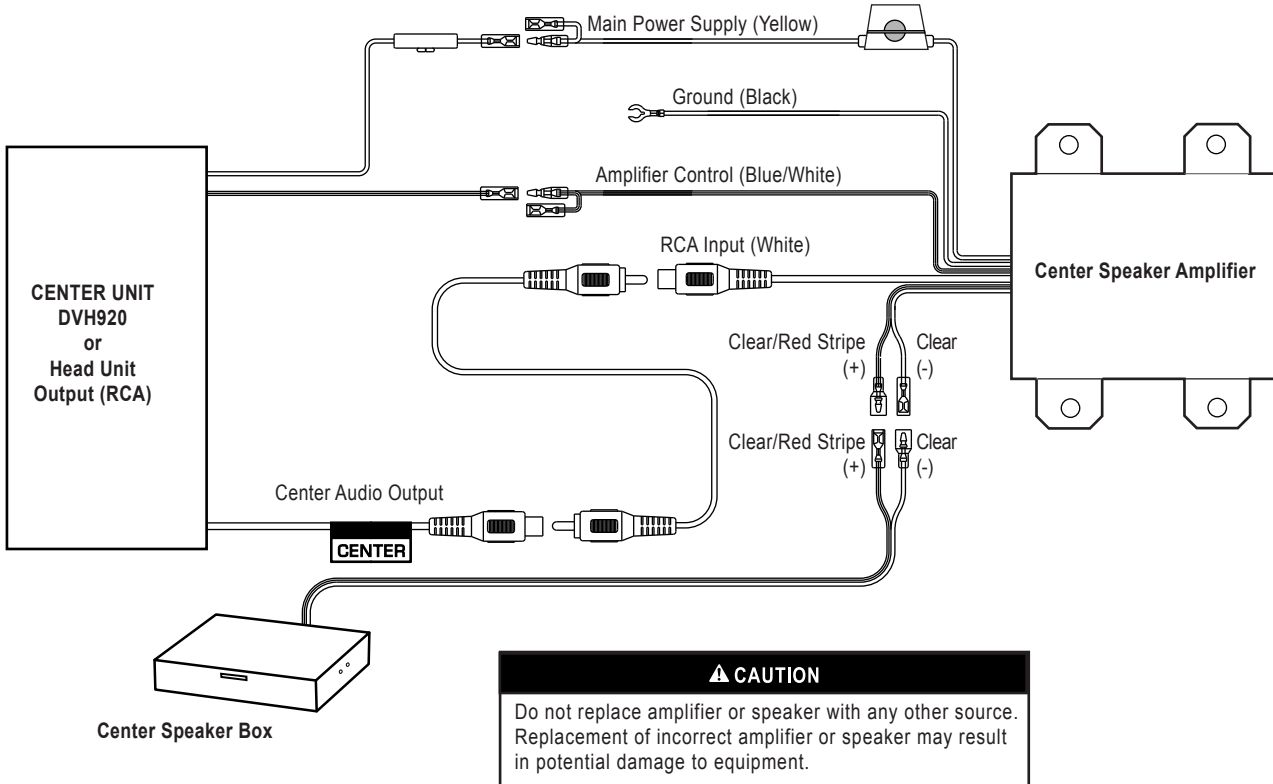


## AMPLIFIER INSTALLATION

Secure the amplifier unit to the surface with the provided screws.



## WIRE CONNECTIONS



## Free Manuals Download Website

<http://myh66.com>

<http://usermanuals.us>

<http://www.somanuals.com>

<http://www.4manuals.cc>

<http://www.manual-lib.com>

<http://www.404manual.com>

<http://www.luxmanual.com>

<http://aubethermostatmanual.com>

Golf course search by state

<http://golfingnear.com>

Email search by domain

<http://emailbydomain.com>

Auto manuals search

<http://auto.somanuals.com>

TV manuals search

<http://tv.somanuals.com>