

clarion®

Installation / Owner's manual
Installation / Mode d'emploi et manuel

CLA-SC1

CeNET SIRIUS SATELLITE RADIO INTERFACE BOX
BOITE D'INTERFACE RADIO SATELLITE CeNET SIRIUS

Contents

1. What is included in this package?	4
2. Introduction	5
3. System	5
4. Installation	7
5. Compatible Models	8
6. Specifications	9

Clarion 2007 Limited Warranty



Precautions!

- Do not expose your product to liquid, moisture, or to humidity.
- Do not expose your product to extreme high or low temperatures.
- Do not expose your product to lit candles, cigarettes, cigars, or to open flames, etc.
- Do not drop, throw, or try to bend the product as rough treatment could damage it.
- Do not use accessories other than original Clarion products. Use of non-original accessories may result in loss of performance, damage to the product, fire, electric shock or injury. The warranty does not cover product failures which have been caused by use of non-original accessories.
- Do not attempt to disassemble your product. The product does not contain consumer serviceable replaceable components. Only Clarion service partners should perform service.
- Do not keep the product in an area prone to dust and dirt. Only use a soft damp cloth to clean your product.
- If you will not be using the product for a while, store it in a place that is dry, free from moisture, dust and extreme temperatures.
- To reduce risk of electric shock, unplug the unit from any power source before attempting to clean it.
- This equipment has been tested and found to comply with the limits for a Class B digital device, pursuant to Part 15 of the

FCC Rules. These limits are designed to provide reasonable protection against harmful interference in vehicle installation.

- This equipment generates, uses and can radiate radio frequency energy and, if not installed and used in accordance with the instructions, may cause harmful interference to radio communications. However, there is no guarantee that interference will not occur in a particular installation. If this equipment does cause harmful interference to radio or television reception, which can be determined by turning the equipment off and on, the user is encouraged to consult the dealer or an experienced installer for help.

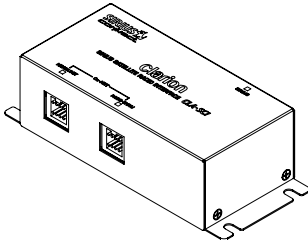
Information for users:

CHANGES OR MODIFICATIONS TO THIS
PRODUCT NOT APPROVED BY THE
MANUFACTURER WILL VOID THE
WARRANTY AND VIOLATE FCC APPROVAL.

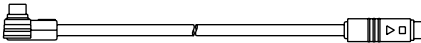
1. What is included in this package?

A complete CLA-SC1 package consists of the following items:

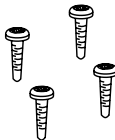
- CeNET Sirius Satellite Radio Interface Box



- CeNET Extension Cable (2.5m)



- Mounting Screws x 4



Note! *CeNET is an abbreviation of Clarion Entertainment Networks, an original bus system developed by Clarion, which enables high-speed data transfer and high quality sound transmission.*

2. Introduction

The Clarion CLA-SC1 is a CeNET SIRIUS SATELLITE Radio Interface that allows you to connect a SIRIUS SATELLITE Radio Tuner to your compatible Clarion radio.

For compatible Clarion source units, please refer to Compatible Models on page 8 for further details.

For operation, please refer to your source unit's owner's manual.

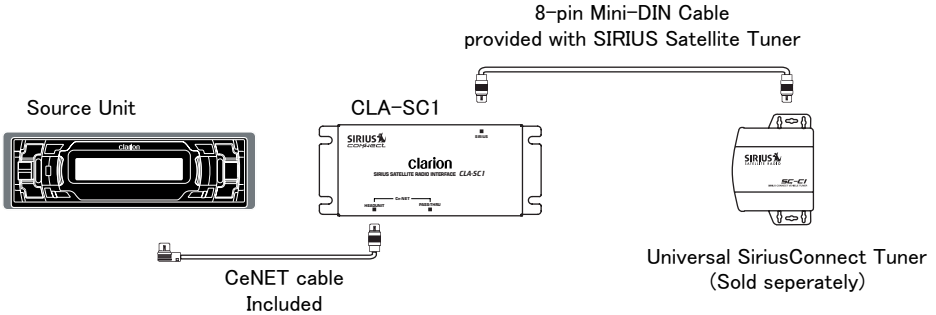
3. System

Please consult your nearest Clarion dealer before attempting to connect the CLA-SC1 to your source unit. Improper connection might damage your unit, CLA-SC1, or your vehicle's wiring.

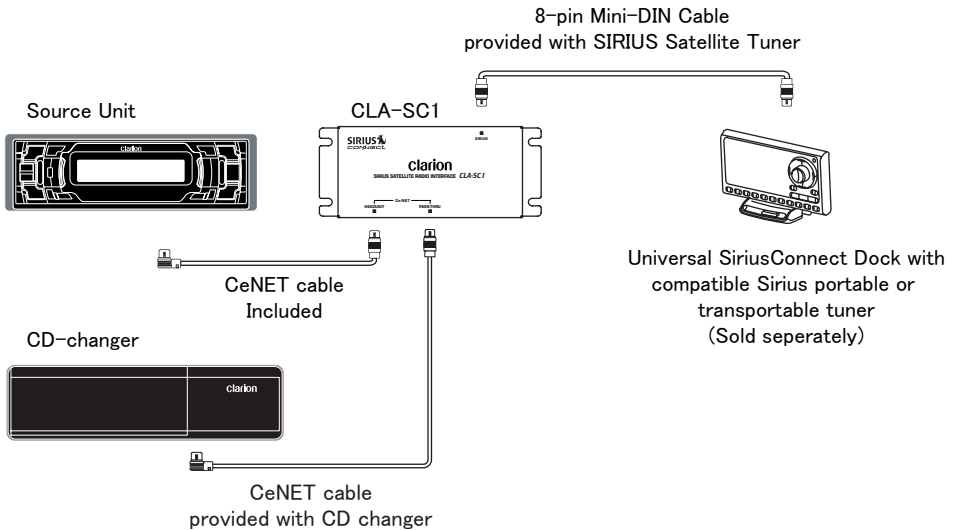
Please refer to the wiring instructions for your CeNET Source Unit or contact your Clarion Dealer.

System Connection Examples

System 1: Clarion CeNET Source Unit and CLA-SC1.



System 2: Clarion CeNET Source Unit, CD Changer and CLA-SC1.



4. Installation

There are no moving parts in CLA-SC1. However, caution must be taken to ensure minimum damage to the unit. Do not press, puncture or drop the unit at anytime. Install the unit where there is no direct sunlight, away from vents or high moisture areas and away from other vehicle electronic components. Mount CLA-SC1 away from moving parts in the vehicle.

Using Screws

The CLA-SC1 has 4 mounting holes to be used with the included screws. Before drilling, make sure there are no hidden wires and parts that might be damaged.



CAUTION

Improper wiring might damage CLA-SC1 and source unit.

5. Compatible Models

Supported Clarion Car Stereo

Compatible with Clarion "SAT RADIO READY" and "SIRIUS READY" source units, such as,

VRX775VD	MAX675VD	DXZ775USB	DXZ675USB
DXZ575USB	DXZ475MP	DXZ375MP	DXZ275MP
CMD5	M475	VRX765VD	MAX675VD
DXZ865MP	DXZ765MP	DXZ665MP	DXZ465MP
DXZ365MP	DXZ265	DFZ675MC	CMD4
M455			

Refer to your Source Unit owners manual for operation with Satellite Radio.

Please consult your Clarion dealer or visit www.clarion.com for more details and for older models' compatibility.

6. Specifications

Power	
Power Supply	Provided by head unit through Clarion CeNET cable
Operating Voltage	14.4V DC (10.8 -15.6V allowable)
Power Consumption	Less than 1 Amp
Quiescent Current	<4.0mA
Physical Interface	
Tuner	8-pin DIN connector
CeNET Connector	Two Clarion CeNET compatible jacks
Outside Dimension	126mm x 52mm x 35mm

Clarion®

CLARION 2007 LIMITED WARRANTY

For USA and Canada only

Except as noted, Clarion products purchased from an authorized Clarion dealer are warranted against all defects in materials and workmanship for a period of one (1) year from the date of original purchase.

The following Clarion products noted below ** are warranted against all defects in materials and workmanship for a two (2) year period from the date of original purchase when purchased from **AND** installed by an authorized Clarion dealer.

** DRZ9255 DXZ775USB DXZ675USB DXZ575USB DZF675MC DPX11500 DPX1800 DPX2250

All Clarion cables, wires and other accessories if purchased from an authorized Clarion dealer are warranted against all defects in materials and workmanship for ninety (90) days from the date of original purchase.

ALL PURCHASES OF CLARION PRODUCTS FROM NON-AUTHORIZED CLARION DEALERS ARE SUBJECT TO FURTHER WARRANTY RESTRICTIONS AS DESCRIBED BELOW.

The conditions of this Limited Warranty and the extent of responsibility of Clarion Corporation of America ("Clarion") under this Limited Warranty are as follows:

- 1. PROOF OF DATE OF PURCHASE FROM AN AUTHORIZED CLARION DEALER WILL BE REQUIRED FOR WARRANTY SERVICE OF THIS PRODUCT. IN THE CASE OF THE TWO (2) YEAR LIMITED WARRANTY FOR THE CLARION PRODUCTS NOTED ABOVE, PROOF OF DATE OF PURCHASE AND PROOF OF INSTALLATION BY AN AUTHORIZED CLARION DEALER IS REQUIRED. INFORMATION ABOUT CLARION AUTHORIZED WARRANTY SERVICE CENTERS MAY BE OBTAINED BY CONTACTING CLARION AT THE ADDRESS LISTED BELOW.**
2. This Limited Warranty will become void if service performed by anyone other than an approved Clarion Warranty Service Center results in damage to the products.
3. This Limited Warranty does not apply to any product which has been subject to misuse, neglect or accident, or which has had the serial number altered, defaced or removed, or which has been connected, installed, adjusted or repaired, other than in accordance with the instructions furnished by Clarion.
4. This Limited Warranty does not cover car static or other electrical interferences, tape head or laser pick-up cleaning or adjustments, or labor costs for the removal or reinstallation of the unit for repair.
5. The sole responsibility of Clarion under this Limited Warranty shall be limited to the repair of the products or replacement of the product, at the sole discretion of Clarion.
6. Product must be shipped in its original carton or equivalent carton, fully insured, with shipping charges prepaid. Clarion will not assume any responsibility for any loss or damage incurred in shipping.
- 7. CLARION PRODUCTS PURCHASED FROM A SOURCE OTHER THAN AN AUTHORIZED CLARION DEALER, INCLUDING ANY AND ALL PURCHASES VIA THE INTERNET FROM A NON INTERNET AUTHORIZED CLARION DEALER, SHALL NOT BE COVERED BY ANY CLARION LIMITED WARRANTY TO THE EXTENT ALLOWED BY APPLICABLE LAW. IN THE EVENT AND TO THE EXTENT APPLICABLE LAW PROHIBITS ELIMINATION OF WARRANTIES UNDER THESE CIRCUMSTANCES, THE APPLICABLE LIMITED WARRANTY PERIOD SHALL BE DEEMED TO BE FIFTEEN (15) DAYS FROM THE DATE OF ORIGINAL PURCHASE.**
- 8. ALL IMPLIED WARRANTIES EXCEPT TO THE EXTENT PROHIBITED BY APPLICABLE LAW SHALL HAVE NO GREATER DURATION THAN THE WARRANTY PERIOD SET FORTH ABOVE. UNDER NO CIRCUMSTANCES SHALL CLARION BE LIABLE FOR ANY LOSS OR DAMAGE, DIRECT OR CONSEQUENTIAL, ARISING OUT OF THE USE OR INABILITY TO USE THE PRODUCT. BECAUSE SOME STATES DO NOT ALLOW LIMITATIONS ON HOW LONG AN IMPLIED WARRANTY LASTS OR EXCLUSIONS OR LIMITATIONS OF INCIDENTAL OR CONSEQUENTIAL DAMAGES, THE ABOVE LIMITATIONS OR EXCLUSIONS MAY NOT APPLY TO YOU.**
- 9. THIS LIMITED WARRANTY GIVES YOU SPECIFIC LEGAL RIGHTS, AND YOU MAY ALSO HAVE OTHER RIGHTS WHICH VARY FROM STATE TO STATE.**
10. The laws of the State of California shall govern and control this limited warranty, its interpretation and enforcement.
11. Should you have any difficulties with the performance of this product during the warranty period, please call Clarion or visit our web site for a listing of Authorized Warranty Service Centers in your area. You may also contact the Clarion Customer Service at the address listed below for any service help you may need with Clarion products.

In USA:
 Clarion Corporation of America
 Attn: Customer Service Manager
 6200 Gateway Drive
 Cypress, CA. 90630
 1-800-GO-CLARION
 www.clarion.com

In Canada :
 Clarion Canada Inc.
 Warranty Service Center
 2239 Winston Park Drive
 Oakville, Ontario L6H 5R1
 (905) 829-4600
 www.clarioncanada.com

Clarion Co., Ltd.

All Rights Reserved. Copyright © 2007: Clarion Co., Ltd.
Printed in China / Imprimé en Chine

EE-2167A-A

Free Manuals Download Website

<http://myh66.com>

<http://usermanuals.us>

<http://www.somanuals.com>

<http://www.4manuals.cc>

<http://www.manual-lib.com>

<http://www.404manual.com>

<http://www.luxmanual.com>

<http://aubethermostatmanual.com>

Golf course search by state

<http://golfingnear.com>

Email search by domain

<http://emailbydomain.com>

Auto manuals search

<http://auto.somanuals.com>

TV manuals search

<http://tv.somanuals.com>