

# clarion

*Owner's Manual / Mode d'emploi  
Benutzer-Handbuch / Manuale utente  
Handboek / Manual de usuario  
Ägarehandbok / Manual do Utilizador*

**BLT433**  
**CM-HS1/TEL003**



English

### FCC Statement

This device complies with Part 15 of the FCC rules. Operation is subject to the following two conditions:

- (1) This device may not cause harmful interference, and
- (2) This device must accept any interference received, including interference that may cause undesired operation.

Français

### Déclaration FCC

Ce dispositif est conforme à la section 15 du règlement de la FCC. Son fonctionnement respecte les deux conditions suivantes:

- (1) Ce dispositif ne devrait pas provoquer d'interférences nuisibles, et
- (2) Ce dispositif doit accepter toutes les interférences reçues, y compris celles susceptibles de provoquer des dysfonctionnements indésirables.

Deutsch

### FCC-Erklärung

Dieses Gerät wurde in Übereinstimmung mit Teil 15 der FCC Regelung entwickelt. Der Betrieb unterliegt den folgenden beiden Bedingungen:

- (1) Dieses Gerät darf keine schädlichen Interferenzen auslösen und
- (2) Dieses Gerät muss jede Art von Interferenzen akzeptieren, einschließlich solcher die während des Betriebs unerwünscht sind.

Italiano

### Dichiarazione FCC:

Questo dispositivo è conforme alle specifiche descritte nella Sezione 15 delle norme FCC. Il suo funzionamento è soggetto alle due condizioni seguenti:

- (1) Il dispositivo non deve causare interferenze dannose; et
- (2) Il dispositivo deve accettare le interferenze ricevute, anche se possono essere causa di un funzionamento indesiderato.

Nederlands

### FCC-Verklaring

Dit apparaat voldoet aan sectie 15 van de FCC-regels. Het gebruik is onderworpen aan de volgende twee voorwaarden:

- (1) Dit apparaat mag geen schadelijke interferentie veroorzaken, en
- (2) Dit apparaat moet elke interferentie accepteren, ook die interferentie, die een ongewenst effect kan veroorzaken.

Español

### Declaración de FCC

Este dispositivo cumple con la parte 15 de las reglas de FCC. El funcionamiento está sujeto a las dos condiciones siguientes:

- (1) Este dispositivo no debe causar interferencia dañina y
- (2) Este dispositivo debe aceptar cualquier interferencia que reciba, incluyendo interferencia que pueda causar un funcionamiento indeseado.

Svenska

### FCC(Federala kommunikationskommissionen) instruktion

Denna anordning överensstämmer med del 15 av FCC-reglerna. Funktionen är underordnad följande två villkor:

- (1) Denna anordning får inte orsaka skadliga störningar, och
- (2) Denna anordning måste acceptera varje mottagen störning, inklusive störning som kan orsaka oönskad funktion.

Português

### Declaração FCC

Este dispositivo está conforme a secção 15 das regras da FCC (Federal Communications Commission). O seu funcionamento está sujeito às duas seguintes condições:

- (1) Este dispositivo não pode causar interferências nocivas, e
- (2) Este dispositivo deve aceitar qualquer interferência recebida, incluindo interferências que podem causar funcionamentos indesejáveis.

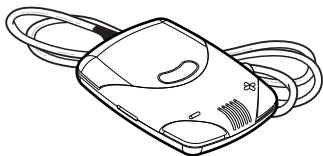
## Contents

<b>What is included in this package?</b> .....	4
<b>Getting to know your module</b>	
What is CM-HS1 .....	5
<b>Installation</b>	
Installing CM-HS1 .....	6
Fix CM-HS1 to the car sun visor .....	7
Fix CM-HS1 to the dashboard .....	7
<b>Pairing your CM-HS1</b>	
Introduction to <i>Bluetooth</i> <sup>®</sup> "pairing" .....	8
Pairing the module .....	8
<b>Using your CM-HS1</b>	
Operating Modes .....	10
Connection .....	10
Making a call .....	10
Calling with the phone's keypad .....	10
Calling with the module using voice commands .....	11
Ending a call .....	11
Answering a call .....	12
To reject a call .....	12
To turn off the microphone .....	12
Transferring a call .....	12
Call-waiting .....	13
Adjusting the volume .....	13
Using headset and car handsfree .....	13
<b>Understanding the CM-HS1 indicators</b> .....	14
<b>Wiring Diagram (TEL003)</b> .....	17
<b>Specifications</b>	
CM-HS1 .....	18
TEL003 .....	19
<b>Troubleshooting</b>	
Cannot pair the car handsfree with the phone .....	20
Cannot connect to the car handsfree .....	20
No sound contact between car handsfree and phone .....	20
Some car handsfree functions do not work .....	20
<b>Additional information</b>	
Safe and efficient use .....	21
Product care .....	21
Installation .....	22
Radio frequency exposure .....	22
Driving .....	22
Electronic equipment .....	23
Blasting areas .....	23
Potentially explosive atmospheres .....	23
Children .....	23
Emergency calls .....	24
<b>EC Declaration of Conformity</b> .....	179

## What is included in this package?

English

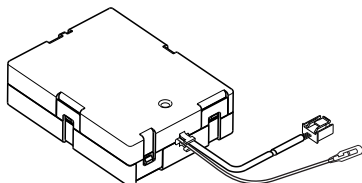
Your BLT433 Car Hands Free Kit includes:



CM-HS1 Module



Visor Clip



CE-NET Converter Box  
(TEL003)



Visor Clip Mounting  
Screw



External Microphone

**Note** Please check for the correct accessories before attempting to install BLT433 in your car, please refer to the Wiring & System Diagram (Page 17) section for more details.

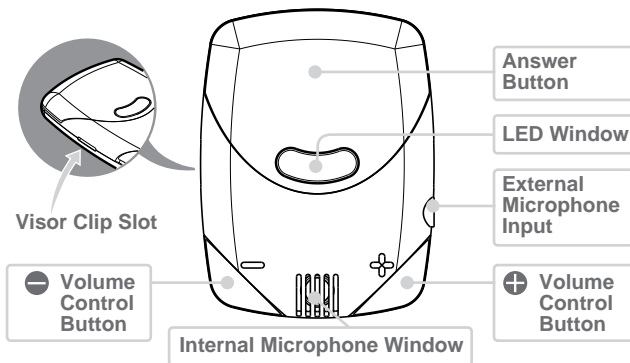
## Getting to know your module

English

### What is CM-HS1?

The CM-HS1 is a *Bluetooth*® car kit that offers a high quality *Bluetooth*® wireless connection for in-car use and utilises your car's built-in audio system. This module works with any *Bluetooth*® mobile phone that supports the *Bluetooth*® Headset profile version 1.1 or Handsfree profile version 1.0.

After simple installation, a *Bluetooth*® connection is automatically forged between your mobile-phone and the module when the ignition of your vehicle is switched on. Incoming calls are accepted by pressing the "Answer" button located on the module. The audio from your car stereo will then muted whilst audio from the mobile phone is routed to either of your car's speakers while you can talk freely and wirelessly over the internal microphone of the module.



## Installation

English

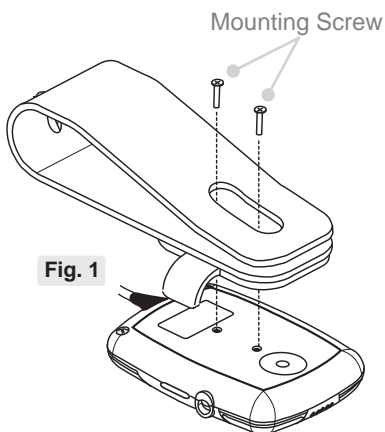
### Installing CM-HS1

It is important that the module is installed with the internal microphone facing towards the user.

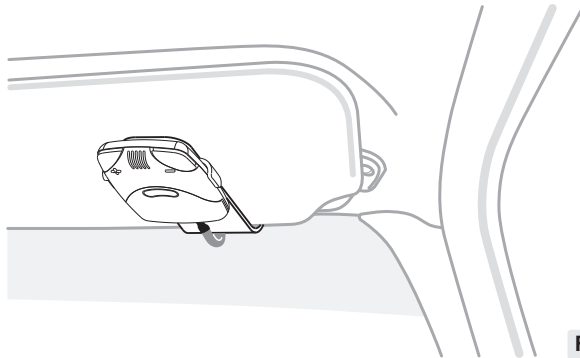
Use the Visor Clip to fix the module to the car sun visor, and route the main cable properly. (shown in Fig. 2)

Use the given mounting screws to tighten the module (shown in Fig. 1) to the Visor Clip if necessary. If installing the module anywhere else, care must be taken in order not to damage the connector of the unit. (shown in Fig. 3)

Check that the location of the microphone is adequate to pick-up the car driver voice.

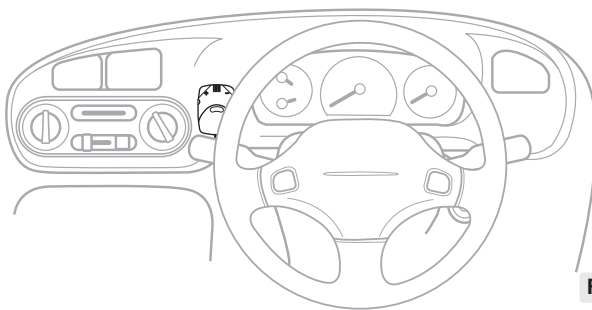


**Fix CM-HS1 to the car sun visor**



**Fig. 2**

**Fix CM-HS1 to the dashboard**



**Fig. 3**

## Pairing your CM-HS1

English

### Introduction to Bluetooth® “pairing”

With a *Bluetooth*® mobile phone, you must ‘pair’ the module with the phone before you use it for the **first time**.

‘Pairing’ creates a unique wireless link between the *Bluetooth*® phone and your module eliminating the need to repeat the pairing process during future use.

The *Bluetooth*® function in your phone has to be turned on to establish automatic connection.

Before connecting BLT433 handsfree kit make sure these adjustments on head unit "ADJ mode" :

- "Cellular phone interrupt setting" is "on"

- "Selecting AUX / TEL" is on "AUX" (requested only for unit with AUX input)

### Pairing the module

This module supports both Headset profile & Handsfree profile, the profile support may differ from phone to phone. Please refer to mobile phone user documentation for profile information.

Details on mobile phone compatibility and optimum setting visit [www.clarion-eu.com](http://www.clarion-eu.com) Note that some mobile phones will not operate correctly if paired in the wrong mode.

#### To pair a mobile phone follow the step below:

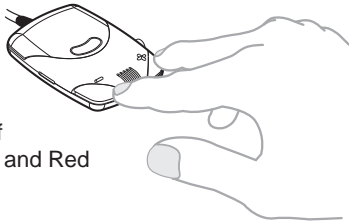
1. Turn on your module by powering up the car audio system, note the Blue LED is lit to confirm that the power is on.
2. Switch on your handphone *Bluetooth*® function.



## Pairing your CM-HS1

English

3. a) Press together ⊕, ⊖ once if choose handsfree profile. (Blue and Red LED fast blinking alternately)  
b) Press together ⊕, ⊖ twice if choose headset profile. (Blue and Red LED slow blinking alternately)
4. Your mobile phone will display once it detects the device.
  - a) HF - CMHS1 - HF (Handsfree profile).
  - b) HS - CMHS1 - HF (Headset profile).
5. Confirm the pairing device and the passkey or PIN is '0000' and you're successfully pair the module.
6. The constant Lit Blue LED will indicate your device has been paired and it's ready to used.



Note: CM-HS1 support up to 5 paired mobile phone, but only one phone at a time with the car handsfree. To clear the paired device table just long press ⊕ and ⊖ together.

Once you have paired the car handsfree with your phone, you can make and receive calls using the control panel (CM-HS1 module) of the car handsfree, as long as it is turned on and within range of the phone, with no solid objects in between.

Always make sure the *Bluetooth*<sup>®</sup> operation mode in the phone is on when using a *Bluetooth*<sup>®</sup> car handsfree.

Compatible with most Clarion CeNET units from 2001 lineup. For detail please check compatibility chart on [www.clarion-eu.com](http://www.clarion-eu.com), or consult your Clarion dealer.

## Using your CM-HS1

English

### Operating Modes

Once the CM-HS1 has been paired to a phone, it will enter either Listening or Connected mode.

In Listening mode the CM-HS1 will be available to establish a connection to any of the paired devices in response to an incoming call. This is typical of phones connected as a Headset.

In Connected mode, the CM-HS1 is connected to a particular phone and communication to another paired phone is not possible. In this mode the CM-HS1 will respond quicker however most phones have a timeout that drops out of Connected Mode after a few minutes.

See your phone owner's manual for details on the operation.

### Connection

Basically, after pairing process, a Bluetooth connection is established between your mobile-phone and the CM-HS1 module when the ignition of your vehicle is switched on.

Some phone model may require to you activate this connection by pressing a short time the CM-HS1 answering button.

### Making a call

There are different ways to make a call.

#### Calling with the phone's keypad

1. Using the phone keypad, dial the phone number.
2. Press the phone "send" key - the phone is now connected to the module and your car stereo system will be mute. Talk normally to the module, the person you're talking to will be heard through your car speaker.

### Calling with the module using voice commands

If your phone support voice-activated dialing, you can use this feature with your module. Note that voice-activated dialing on your phone must be enabled and voice tags (name and commands) previously stored. (Please refer to the phone's user documentation for instructions on storing voice tags.)

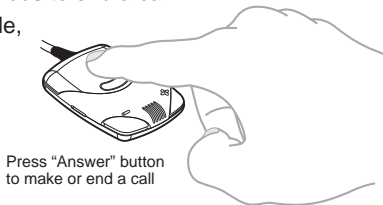
1. Briefly press the "Answer" button on the module.
2. After the tone, say the name of the person you wish to call.
3. The mobile phone automatically dials your selection, and you'll see the details of the call on the phone screen (varies with phone model).
4. When connected, you are free to communicate normally.

Note: The number of tones that you hear when voice dialing is dependent on the type of the phone. With some phones, you may only hear one tone. Say your voice command after the tone.

### Ending a call

Use either of the following methods to end a call:

- To end a call from the module,
  - short press the module's "Answer" button.
- End a call from the phone's Keypad.



## Using your CM-HS1

English

### Answering a call

Whenever your car stereo is operating, the hand free module is in standby mode awaiting the next call with the Blue LED showing, when an incoming call arrives the car stereo is mute automatically and the ring tone is reproduced through your car's speaker. To answer the call press the "Answer" button on the module and speak normally.

You may also answer the call by using your phone's answer keypad. In this case, you can transfer the call to the module by following the instruction in the next section.

Note: The Clarion CE-NET car stereo must be set to telephone interrupt mode to be able to work with the BLT433, details of the CE-NET car stereo settings please refer to the owner's manual of each model.

### To reject a call

When the car handsfree rings, long press the answer button.

Note: This is dependent on the type of phone.

### To turn off the microphone

During a call, long press ⊕ or ⊖ button to turn off the microphone. The Red LED will blink when the microphone has been turned off. Long press ⊕ or ⊖ button again to un-mute the microphone.

### Transferring a call

To transfer the sound to the car handsfree. During a call, short press the answer button or using transfer call function in the phone.

To transfer the sound to the phone. During a call, long press the answer button.

### Call-waiting

Some mobile phones allow you to accept another incoming call while you are using your module. This feature varies, dependent on mobile service provider and phone model. If you normally hear a beep on your mobile phone, you will still hear this beep through your car speaker or external speaker. If your phone's service support this feature, you can use either your phone's keypad or your module. To use your phone's keypad (recommended), you can switch between calls using the standard method as specified by your phone manufacturer. To use the module to switch between calls, briefly press your module's "Answer" button once. As with your phone controls, you may then return to the initial call by briefly pressing the "Answer" button once more.

### Adjusting the volume

You can adjust the speaker volume in a call via your module.

- To increase the volume, press the ⊕ button.
- To decrease the volume, press the ⊖ button.

Note: Use the ⊕ and ⊖ controls to adjust the telephone call reception volume and minimise any echo generated.

### Using headset and car handsfree

Phones that support Connected Mode require the user to initiate the connection. To do this, turn the ignition on and initiate the connection from the phone or by press the Answer button.

Note: If you have an ongoing call in your *Bluetooth*<sup>®</sup> headset, and enter the car and wish to continue your conversation in the car handsfree, you must transfer the sound to the car handsfree. See "Transferring a call".

## Understanding the CM-HS1 indicators

English

CM-HS1 provides indications of pairing and calling status as described in the following table.

Mode		Action		Consequence
Name	LEDs	Control	Duration	
Idle	Short On @6s	Off		
(Pairing Table Empty)		Volume-Chord	Short	Start Handsfree pairing
		Call	Short	Start Handsfree pairing
Pairing (Handsfree)	Alternating Flash on @½s	Volume-Chord	Short	Switch to Handset pairing
		Call	Short	Switch to Handset pairing
Pairing (Headset)	Alternating Flash on @2s	Volume-Chord	Short	Abort pairing
		Call		Abort pairing
Listening	Flash On @2s	Off		
		Volume-Chord	Short	Start Handsfree pairing
		Volume-Chord	Long	Clear pairing table Return to idle state
		Call	Short	Start connecting with most recently used mobile
		Call	Long	Start connecting with next most recently used mobile
Connecting	Flash On @½s	Off		
		Volume-Chord	Short	Start Hands-free pairing
		Volume-Chord	Long	Clear pairing table Return to idle state
		Call		Abort connection

## Understanding the CM-HS1 indicators

English

Mode		Action			Consequence
Name	LEDs		Control	Duration	
Connected (Service)	On	Off			
			Call	Short	Start voice activated calling
			Call	Long	Return to Listening mode
Connected	Flash off @2s	Off			
			Call	Short	Start voice activated calling
			Call	Long	Return to Listening mode
Ringing	On	Short on @1/2s			
			Call	Short	Accept call
			Call	Long	Reject call
			Volume-Up	Short	Increase speaker volume
			Volume-Down	Short	Reduce speaker volume
Voice Dialing	On	On			
			Call		Abort voice dialing
Call Active (Microphone Active)	On	On			
			Call	Short	Clear call
			Call	Long	Transfer call to mobile
			Volume-Up	Short	Increase speaker volume

## Understanding the CM-HS1 indicators

English

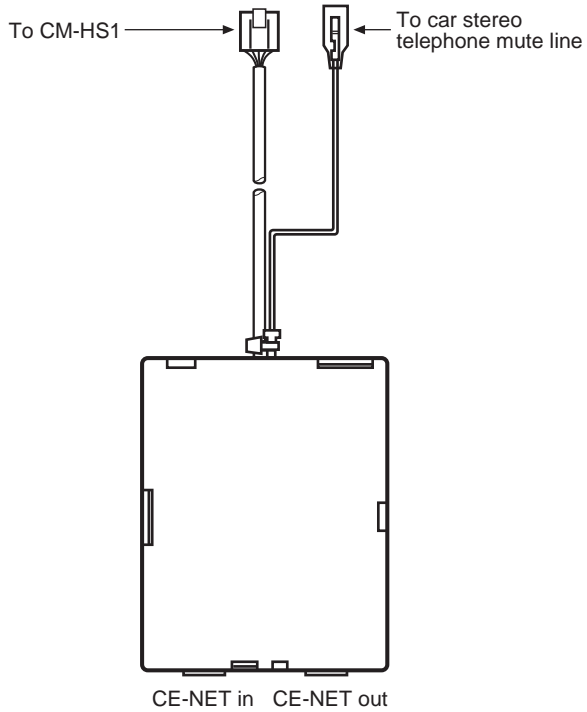
Mode		Action			Consequence
Name	LEDs		Control	Duration	
			Volume-Down	Short	Reduce speaker volume
			Volume-Up	Long	Mute microphone
			Volume-Down	Long	Mute microphone
Call Active (Microphone Mute)	On	On			
			Call	Short	Clear call
			Call	Long	Transfer call to mobile
			Volume-Up	Short	Increase speaker volume
			Volume-Down	Short	Reduce speaker Volume
			Volume-Up	Long	Un-mute microphone
			Volume-Down	Long	Un-mute microphone
Call Active on Phone	On	Short on @2s			
			Call	Short	Transfer call to CM-HS1
			Call	Long	Clear call
Phone Audio	On	On			
			Call		Returned to Connected mode

Note: Volume Chord = Volume + and Volume - keys at the same time.  
 This table is just for reference and informations status may vary from phone to phone.



## Wiring Diagram (TEL003)

English



## Specifications (CM-HS1)

English

<b>Transfer standard</b>	Bluetooth® 1.0B/1.1, conforms to profile
<b>Frequency range</b>	2.402~2.495 GHz, ISM band, license-free
<b>Radio channels</b>	Fast frequency hopping, 79 channels, 1600 frequency changes/second
<b>Range</b>	Sending performance 0 dBm (Class 3) ~approximately 10m
<b>Sensitivity</b>	-80 dBm
<b>Profile</b>	Headset profile + Hands Free Profile
<b>Interface</b>	Shielded 5 core cable interface between CM-HS1 and TEL003
<b>Operating temperature</b>	-20C~80C
<b>Storage temperature</b>	-40C~105C
<b>Telephone operation</b>	Noise reduction, echo cancellation, full duplex telephony
<b>Dimensions</b>	Approx. 67 x 51 x 13mm
<b>Weight</b>	Approx. 22 grams
<b>Status display</b>	LEDs for display of the connection mode
<b>System requirements</b>	Mobile phone with Bluetooth® supporting headset profile or Hands Free profile
<b>Approvals</b>	In accordance with the technical requirements of R&TTE for all EU countries and Switzerland

## Specifications (TEL003)

English

<b>Power supply voltage</b>	14.4V DC (10.8~15.6V allowable) negative ground
<b>Max. Current</b>	5A
<b>Speaker Impedence</b>	4Ω (4Ω~8Ω allowable)
<b>Max Output Power</b>	6W
<b>Max Switching Input</b>	50W
<b>Distortion</b>	Less than 0.05%
<b>S/N Ratio</b>	More than 85dB
<b>Frequency Response</b>	30Hz ~ 15kHz (±3dB)
<b>Dimensions</b>	Approx. 84 x 63 x 25mm

Please refer carefully to the system diagram before installing your BLT433. Incorrect wiring method may cause damage to BLT433, your car audio system or even your vehicle.

We strongly recommend that BLT433 is only installed by those fully familiar with your vehicle's electrical system, please consult with the supply retailer if any doubt.

## Troubleshooting

English

This section lists some problems that you might encounter while using your car handsfree. See your phone owner's manual for configuration.

### **Cannot pair the car handsfree with the phone**

The *Bluetooth*<sup>®</sup> function in your phone must be set to **Automatic** or **On**. Your phone should be inside the car during the pairing procedure. The car handsfree must be on.

### **Cannot connect to the car handsfree**

The car handsfree may be connected to another *Bluetooth*<sup>®</sup> device or your phone may be connected to another *Bluetooth*<sup>®</sup> device, such as a headset. Disconnect the other *Bluetooth*<sup>®</sup> device.

You may have paired your phone with another handsfree device. Some phones can only be paired with one handsfree device at a time. Please check in the phone's user documentation.

### **No sound contact between car handsfree and phone**

The car handsfree and the phone you are using with it have to be paired to recognize each other, and within range.

### **Some car handsfree functions do not work**

If you notice that you cannot make use of all the features in the BLT433, please check in your user documentation whether your phone supports the function.

The phone may be paired in the wrong mode. Try clearing the pairing and operating in the other mode.

NOTE :The compatibility and the connectability for all built-in *Bluetooth*<sup>®</sup> mobile is not guaranteed. CM-HS1 works only when car stereo is switched on.

## Additional information

English

### Safe and efficient use

Note: Read this information before using your *Bluetooth*® car handsfree.

Changes or modifications to this *Bluetooth*® car handsfree not expressly approved by Clarion may void the user's authority to operate the equipment.

Please check for any exceptions, due to national requirements or limitations, in usage of *Bluetooth*® equipment before using this product.

### Product care

- Do not expose your product to liquid or moisture or to humidity.
- Do not expose your product to extreme high or low temperatures.
- Do not expose your product to lit candles, cigarettes, or cigars, or to open flames etc.
- Do not drop, throw or try to bend the product as rough treatment could damage it.
- Do not use any other accessories than Clarion originals intended for use with this product. Use of non-original accessories may result in loss of performance, damage to the product, fire, electric shock or injury. The warranty does not cover product failures which have been caused by use of non-original accessories.
- Do not attempt to disassemble your product. The product does not contain consumer serviceable or replaceable components. Only Clarion service partners should perform service.
- Do not keep the product in an area prone to dust and dirt. Only use a soft damp cloth to clean your product.
- If you will not be using the product for a while, store it in a place that is dry, free from damp, dust and extreme temperatures.
- To reduce risk of electric shock, unplug the unit from any power source before attempting to clean it.

## Additional information

English

### Installation

Please note that only authorised personnel should install the *Bluetooth*® car handsfree. Please check with your car dealer for recommendations on professional installation engineers. Check with your car manufacturer's representative to be sure that all equipment for the *Bluetooth*® car handsfree, including additional accessories, is placed in a safe location. If your car is equipped with an air bag, check that the handsfree equipment does not interfere with its function.

The *Bluetooth*® car handsfree equipment is made for use in cars with a 12 volt electrical system. Other supply voltages may cause damage to the equipment.

### Radio frequency exposure

Your *Bluetooth*® car handsfree is a radio transmitter and receiver. When in operation, it communicates with a *Bluetooth*® equipped mobile device by receiving and transmitting radio frequency (RF) electromagnetic fields (microwaves) in the frequency range 2400 to 2500 MHz. The output power of the radio transmitter is low, 0.001 watt.

Your *Bluetooth*® car handsfree is designed to operate in compliance with the RF exposure guidelines and limits set by national authorities and international health agencies when used with any compatible *Bluetooth*® enable mobile phone.

### Driving

Check the laws and regulations on the use of mobile phones and handsfree equipment in the areas where you drive.

Always give full attention to driving and pull off the road and park before making or answering a call if driving conditions so require.

## Additional information

English

RF energy may affect some electronic systems in motor vehicles such as car stereo, safety equipment etc. Check with your vehicle manufacturer's representative to be sure that your mobile phone or *Bluetooth*<sup>®</sup> car handsfree will not affect the electronic systems in your vehicle.

### Electronic equipment

Most modern electronic equipment is shielded from RF energy. However, certain electronic equipment is not, therefore:

Do not use your *Bluetooth*<sup>®</sup> car handsfree near medical equipment without requesting permission. If you are using any personal medical devices, e.g. a pacemaker or a hearing aid, please read in your mobile phone's User's Guide for further information.

### Blasting areas

Turn off all your electronic devices when in a blasting area or in areas posted **turn off two-way radio** to avoid interfering with blasting operations. Construction crews often use remote control RF devices to set off explosives.

### Potentially explosive atmospheres

Turn off your electronic device when in any area with a potentially explosive atmosphere. It is rare, but your electronic device could generate sparks. Sparks in such areas could cause an explosion or fire resulting in bodily injury or even death.

Areas with a potentially explosive atmosphere are often, but not always, clearly marked.

### Children

Do not allow children to play with your *Bluetooth*<sup>®</sup> car handsfree since it contains small parts that could become detached and create a choking hazard.

## Additional information

English

### **Emergency calls IMPORTANT!**

This *Bluetooth*® car handsfree and the electronic device connected to the handsfree operate using radio signals, cellular and landline networks as well as user-programmed functions, which cannot guarantee connection under all conditions. Therefore you should never rely solely upon any electronic device for essential communications (e.g. medical emergencies).

Remember, in order to make or receive calls, the handsfree and the electronic device connected to the handsfree must be switched on and in a service area with adequate cellular signal strength. Emergency calls may not be possible on all cellular phone networks or when certain network services and/or phone features are in use. Check with your local service provider.



# EC Declaration of Conformity

We : Clarion Europa GmbH

Hessenring 19-21, 64546 Mörfelden-Walldorf, Germany.

declare under our sole responsibility that the following Product(s)

**Model** : *Bluetooth*<sup>®</sup> Car Hands free Kit  
**Part No(s)** : CM-HS1

is (are) in conformity with the following relevant harmonised standards:

**EN300328-2 (2001-12) - Electromagnetic compatibility and radio spectrum matters (ERM); Wideband Transmission systems operation in the 2.4GHz ISM band. Part 2 Essential requirements under Article 3.2 of the RTTE directive.**

**EN301489-1 V1.3.1 (2001-9) - EMC standard for radio equipment and services. Part 1: Common technical requirements.**

**EN301489-17 V1.1.1 (2001-9) - EMC standard for radio equipment and services. Part 17: Specific conditions for Wideband and HIPERLAN equipment.**

**EN60950: 2000 - Information technology equipment Safety Part 1 General requirements.**

Following the provisions of Council Directive 1999/5/EC on radio equipment and telecommunications terminal equipment and the mutual recognition of their conformity.

**Mörfelden-Walldorf, Germany.**

Date : 16 March 2005

On behalf of Clarion Europa GmbH



S. Yamakawa: President

## Clarion BLT433

English

This manual is published by Clarion, without any warranty. Improvements and changes to this manual necessitated by typographical errors, inaccuracies of current information, or improvements to programs and/or equipment, may be made by Clarion at any time and without notice. Such changes will, however, be incorporated into new editions of this manual.

The Bluetooth word mark and logos are owned by the Bluetooth SIG, Inc.

Français

Ce manuel est publié par Clarion sans aucune garantie. Clarion se réserve le droit d'y apporter des améliorations et des modifications nécessitées par des erreurs typographiques, des imprécisions concernant l'information, ou par l'amélioration des programmes et/ou des équipements, ceci à tout moment et sans préavis. De telles modifications seront cependant intégrées aux nouvelles éditions de ce manuel.

La marque et les logos Bluetooth sont détenus par Bluetooth SIG, Inc.

Deutsch

Dieses Benutzer-Handbuch wird von Clarion ohne Garantie herausgegeben. Eventuelle Korrekturen und Änderungen aufgrund typografischer Fehler, Ungenauigkeiten oder Verbesserungen von Programmen und/oder Geräten können jederzeit und ohne Vorankündigung von Clarion durchgeführt werden. Diese Änderungen werden jedoch in neue Auflagen dieses Benutzer-Handbuchs mit aufgenommen.

Das Bluetooth Markenzeichen und Logo ist Eigentum der Bluetooth SIG, Inc.

Italiano

Questo manuale è pubblicato da Clarion, senza alcuna garanzia. Clarion è autorizzata ad apportare in qualsiasi momento e senza preavviso miglioramenti e modifiche ai programmi e/o apparecchiature. Tuttavia, tali modifiche saranno inserite nelle edizioni successive del presente.

Il marchio e loghi Bluetooth sono di proprietà della Bluetooth SIG, Inc.

Nederlands

Dit handboek is gepubliceerd door Clarion, zonder enige garantie. Verbeteringen en veranderingen in dit handboek, die door typografische fouten, onnauwkeurigheid van de huidige informatie, of verbeteringen aan programma's en/of apparatuur noodzakelijk zijn, kunnen door Clarion op elk ogenblik en onaangekondigd worden aangebracht.

Dergelijke veranderingen, zullen echter opgenomen worden in de nieuwe uitgaven van dit handboek.

Het Bluetooth-woordteken en de logo's zijn het eigendom van Bluetooth SIG, Inc.

Español

Este manual está publicado por Clarion, sin ninguna garantía. Clarion puede realizar en cualquier momento y sin aviso previo, mejoras y cambios en este manual debido a errores tipográficos, inexactitudes de la información actual, o mejoras en programas y/o equipamiento. Dichos cambios, sin embargo, serán incorporados en las nuevas ediciones de este manual.

La marca Bluetooth y su logotipo son propiedad de Bluetooth SIG, Inc.

Svenska

Denna manual har publicerats av, utan någon som helst garanti. Förbättringar och ändringar till den här manualen som är nödvändiga p.g.a. typografiska fel, felaktigheter av nuvarande information, eller förbättringar av program och/eller utrustning, kan genomföras av Clarion när som helst utan förhandsbesked. Sådana ändringar kommer emellertid att, upptas i nya utgåvor av denna manual.

Bluetooth ordmärke och logo ägs av Bluetooth SIG, Inc.

Português

Este manual é publicado pela Clarion, sem qualquer garantia. As melhorias ou alterações a este manual necessárias devido a erros tipográficos, falta de exactidão das informações presentes, ou as melhorias de programas e/ou equipamento, poderão ser efectuados pela Clarion em qualquer altura e sem aviso prévio. Estas alterações serão, no entanto, incluídas nas novas edições deste manual.

A marca e o logótipo Bluetooth são propriedade da Bluetooth SIG, Inc.

inner back cover

280-8282-01

back cover

## Free Manuals Download Website

<http://myh66.com>

<http://usermanuals.us>

<http://www.somanuals.com>

<http://www.4manuals.cc>

<http://www.manual-lib.com>

<http://www.404manual.com>

<http://www.luxmanual.com>

<http://aubethermostatmanual.com>

Golf course search by state

<http://golfingnear.com>

Email search by domain

<http://emailbydomain.com>

Auto manuals search

<http://auto.somanuals.com>

TV manuals search

<http://tv.somanuals.com>