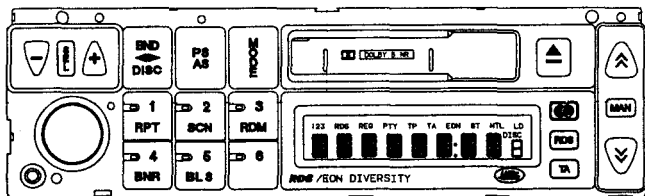


clarion Service Manual

Published by Service Information Section



LAND ROVER RDS/FM • MPX/MW/LW Radio Cassette Stereo with CD Changer Control

Model **PU-9836A**
 (Part No. PRC 7618)

■ SPECIFICATIONS:

[Radio section]

| | |
|-------------------------------|--|
| Circuit system: | Superheterodyne |
| Tuning system: | Electronic tuning |
| Receiver range: | LW 153kHz to 279kHz MW 531kHz to 1,602kHz FM 87.5MHz to 108MHz |
| Intermediate frequency: | LW 450kHz MW 450kHz FM 10.7MHz |
| Quieting sensitivity: | LW Less than 42dB (at 20dB S/N) MW Less than 35dB (at 20dB S/N) FM Less than 12dB (at 30dB S/N) |
| Separation: | FM More than 20dB |
| Auto tuning stop sensitivity: | LW DX 20~40dB LO 45~65dB MW DX 20~40dB LO 45~65dB FM DX 15~35dB LO 40~60dB |

[Tape section]

| | |
|----------------------|---|
| Reproduction system: | 4 track, 2 channel stereo cassette tape playback |
| Tape speed: | 4.76cm/sec (1-7/8 ips) |
| Wow and flutter: | 0.15% (W.R.M.S) |
| S/N ratio: | More than 56/48dB, Dolby B ON/OFF (120 μs) More than 58/50dB, Dolby B ON/OFF (70 μs) |
| Cross talk: | More than 40dB |
| Separation: | More than 30dB |
| FF/REW time: | Less than 110sec. (C-60) |

[Synthesis]

| | |
|------------------------|--|
| Power Supply voltage: | DC 14.0V (10.8V to 15.6V) Negative ground |
| Current consumption: | Less than 3mA (at ACC OFF) |
| Load impedance: | 660Ω |
| Line out level: | 0.125V ± 6dB |
| Quieting power output: | More than 8W × 4 |
| Dimensions: | Width 178mm Height 50mm Depth 160mm |
| Weight: | 1.5kg |

■ COMPONENTS:

| | | | |
|------------------|-------------|--|----|
| • PU-9836A | | | |
| Main unit | | | 1 |
| Mounting bracket | 300-9550-00 | | 1 |
| [Removal tool | 341-1446-01 | | 1] |

■ ANTI-THEFT-SYSTEM:

- Releasing the ANTI-THEFT SYSTEM (When reinserting the car stereo or reconnecting the battery.)
- 1. Make the necessary wire connections.
- 2. Turn on POWER switch. ("CODE IN" is displayed.)
- 3. Using PRESET button 1 to 6, input the secret number.

After the last code number is entered the radio will operate.

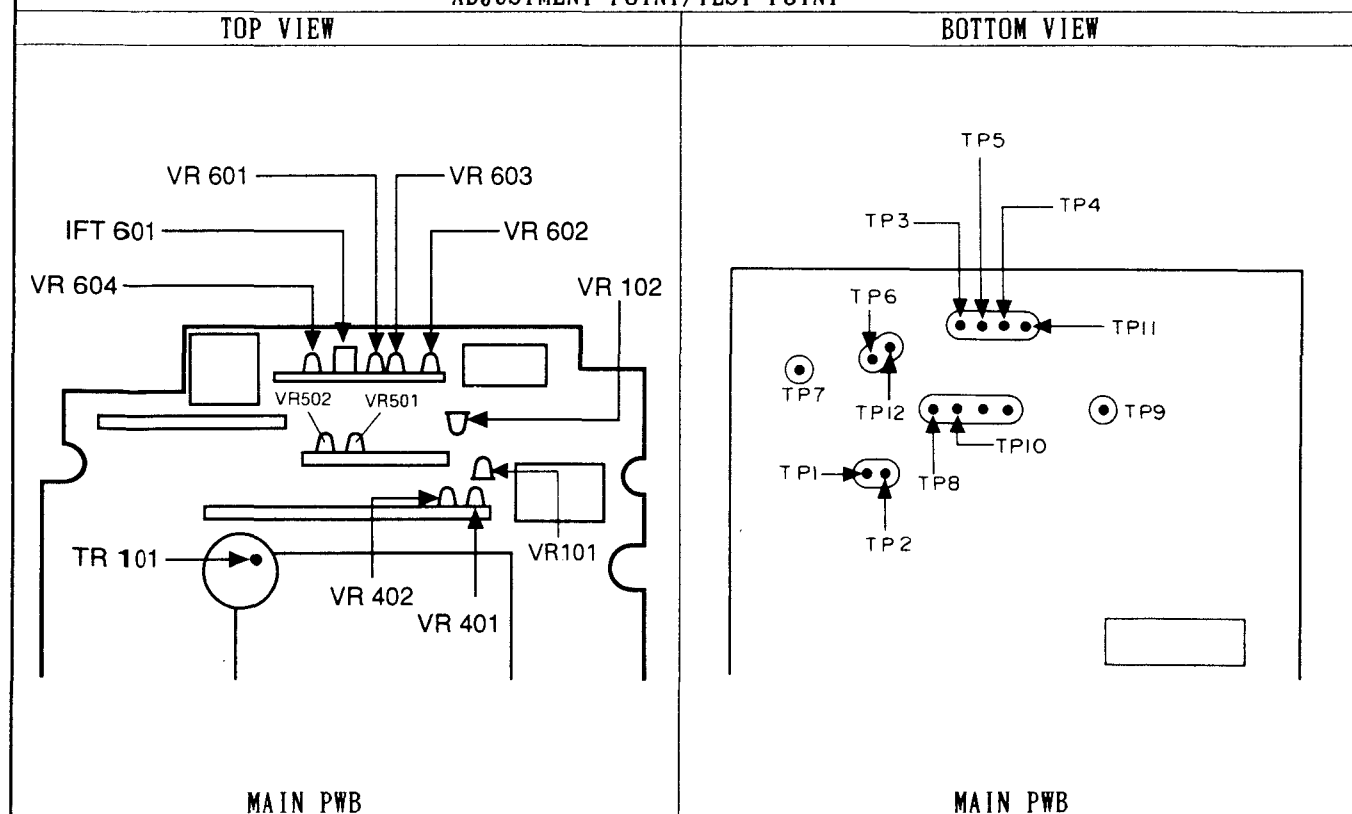
- In case the wrong code was entered.
- 1. Finish entering all four digits.
- 2. Press BAND button for approximately two seconds.
- 3. Input the correct code.
- Waiting time for releasing the ANTI-THEFT SYSTEM (If the wrong code was entered at three times.)
- 1. Wait for more than an hour at the necessary wire connections.
- 2. Press BAND button for two seconds.
- 3. Input the correct code.

• Dolby noise reduction manufactured under license from Dolby Laboratories Licensing Corporation.
 • "DOLBY" and the double-D symbol are trademarks of Dolby Laboratories Licensing Corporation.

■ ADJUSTMENT:

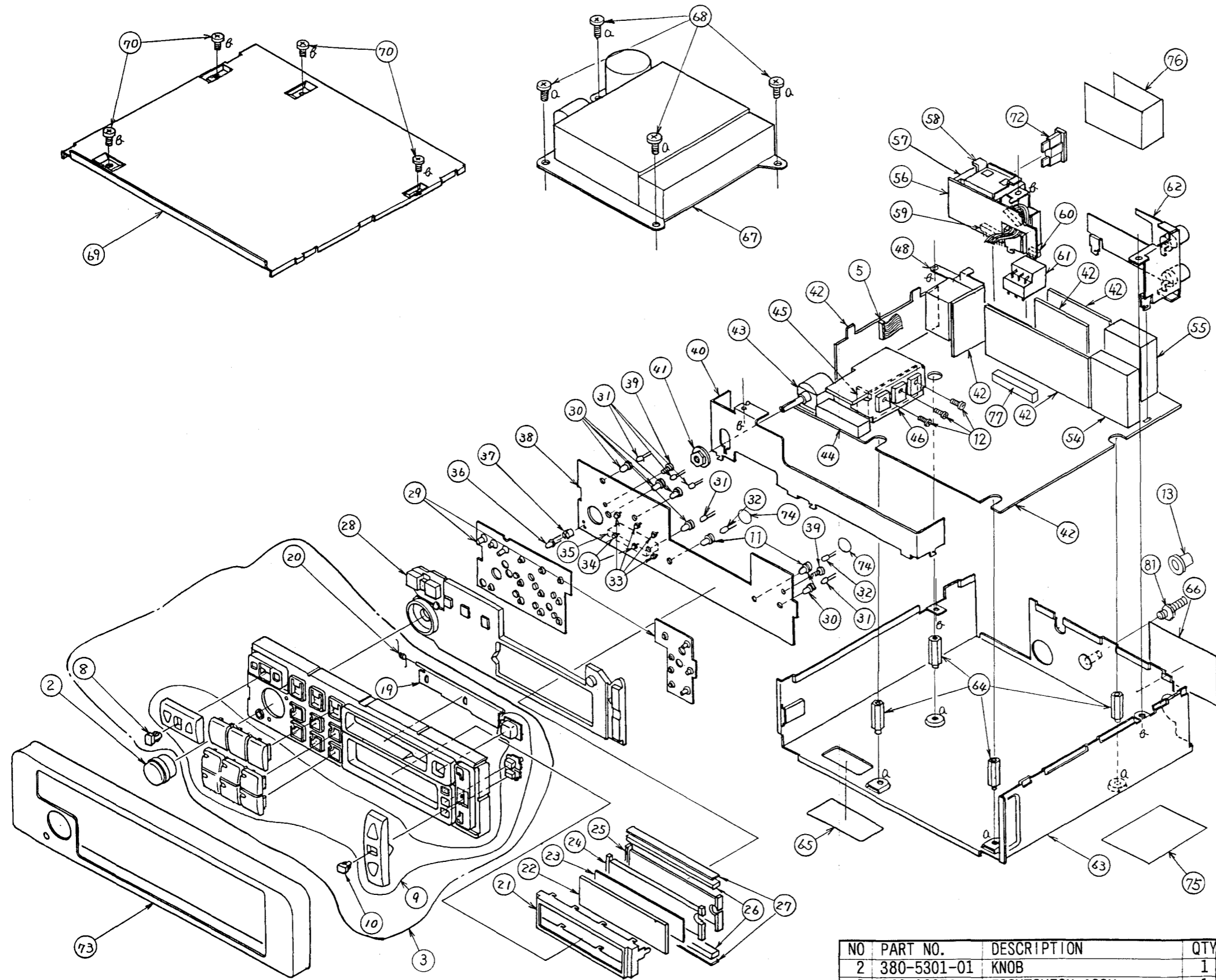
| ITEM | TEST-POINT | PROCEDURE |
|------------|----------------|--|
| 0V | IFT601 | 1. CONNECT THE DIGITAL VOLT-METER TO TP3 AND TP4. 2. INPUT THE 98.1MHz/30dB SIGNAL(no MOD), AND ADJUST THE READING OF DIGITAL VOLT-METER TO $0 \pm 20mV$ BY IFT601. |
| Limiter | VR602 | 1. INPUT THE 98.1MHz/65dB SIGNAL(400Hz, 30% MOD). [OUTPUT: 0dB(0.245V)] 2. SET THE SSG OUTPUT TO 10dB, AND ADJUST THE OUTPUT LEVEL TO -3dB BY VR602. |
| SD | VR601 | 1. CONNECT BETWEEN TP9 AND TP10(5V). 2. INPUT THE 98.1MHz/23dB SIGNAL(400Hz, 30% MOD). 3. ADJUST VR601 SO THAT THE VOLTAGE OF TP5 IS IN THE RANGE 0V TO 5V. |
| S-meter | VR102 | 1. CONNECT THE DIGITAL VOLT-METER TO TP6. 2. INPUT THE 98.1MHz/35dB SIGNAL(400Hz no MOD). 3. ADJUST THE LEVEL TO $2.4 \pm 0.1V$ BY VR102. |
| SASC | VR603 | 1. INPUT THE 98.1MHz/65dB SIGNAL(7KHz 30% MOD). 2. SET THE OUTPUT TO 0dB BY VR603 FULLY COUNTER-CLOCKWISE. (0.775V) 3. SET THE SSG OUTPUT TO 43dB, AND ADJUST VR603 SO THAT THE OUTPUT LEVEL IS -2dB. |
| Separation | VR604 | 1. INPUT THE 98.1MHz, CONNECT THE OUTPUT OF A STEREO MODULATOR TO THE EXTERNAL MODULATION TERMINAL, AND INPUT A 65dB SIGNAL. 2. SET THE STEREO MODULATOR TO THE L OR R-ch AND ADJUST VR604 SO THAT THE MAXIMUM SEPARATION IS OBTAINED. (MORE THAN 20dB) |
| CW | VR501 | 1. CONNECT THE MILLI VOLT-METER TO TP8. 2. INPUT THE 98.1MHz/65dB SIGNAL(100Hz, MONO) AND ADJUST THE LEVEL TO $1.77V \pm 1dB$ BY VR501. |
| DK | VR502 | 1. INPUT tTHE 98.1MHz/55dB SIGNAL (no MOD, SK DK on) 2. CONNECT THE OSCILLOSCOPE TO TP9, AND ADJUST VR502 SO THAT THE OSCILLOSCOPE OUTPUT WAVEFORM IS MAXIMUM. |
| Tape speed | TR101 | 1. INSERT A TAPE SPEED TEST TAPE (3000Hz). 2. ADJUST THE TAPE SPEED TO $3000 \pm 45Hz$ BY TR101. |
| Dolby NR | VR401 VR402 | 1. INSERT A DOLBY LEVEL TEST TAPE (400Hz-200nWb/m), CONNECT THE MILLI VOLT-METER TO TP1(L) AND TP2(R). 2. ADJUST VR401(L) AND VR402(R) TO OBTAIN AN OUTPUT OF $388mV \pm 1dB$. |

ADJUSTMENT POINT/TEST POINT



*DIVER FIX(MAIN): Connect TP12 to earth.

■ EXPLODED VIEW • PARTS LIST:



| NO | PART NO. | DESCRIPTION | QTY |
|----|-------------|------------------------|-----|
| 11 | 345-7148-06 | LAMP CAP | 2 |
| 12 | 714-2608-81 | MACHINE SCREW | 3 |
| 13 | 345-3653-01 | SPACER | 1 |
| 19 | 320-0391-41 | DUSTPROOF-CVR | 1 |
| 20 | 750-2309-01 | SPRING | 1 |
| 21 | 331-0157-00 | LCD HOLDER | 1 |
| 22 | 379-1005-21 | INDICATOR | 1 |
| 23 | 335-4512-01 | COLOR FILTER | 1 |
| 24 | 335-4479-00 | BACK LIGHT | 1 |
| 25 | 335-4480-00 | LCD SPACER | 1 |
| 26 | 345-7366-00 | RUBBER CONNECTOR | 2 |
| 27 | 347-3818-00 | SPACER | 2 |
| 28 | 335-4477-03 | ILLUMI PLATE | 1 |
| 29 | 345-5156-01 | RUBBER SWITCH | 1 |
| 30 | 345-7148-07 | LAMP CAP | 5 |
| 31 | 017-0345-09 | PILOTLAMP | 5 |
| 32 | 017-0376-02 | PILOTLAMP | 2 |
| 33 | 001-0486-04 | LED | 4 |
| 34 | 001-7009-01 | LED | 2 |
| 35 | 074-0961-28 | OUTLET SOCKET*28P MAIN | 1 |
| 36 | 001-0207-00 | LED*RED/CATS | 1 |
| 37 | 335-4513-00 | LED SPACER | 1 |
| 38 | 099-9982-02 | SWITCH PWB | 1 |
| 39 | 702-2005-81 | TAP SCREW | 2 |
| 40 | 331-0158-00 | FRONT PLATE | 1 |
| 41 | 722-0368-00 | NUT | 1 |
| 42 | 099-9981-03 | MAIN PWB | 1 |
| 43 | 012-5194-00 | VARIABLE-R*VOL | 1 |
| 44 | 076-0414-28 | PLUG*28P-ES | 1 |
| 45 | 330-9409-01 | HEATSINK HOLDER | 1 |
| 46 | 313-1548-01 | HEAT SINK | 1 |
| 48 | 331-0160-00 | CHOKE HOLDER | 1 |
| 54 | 880-1602A | MW/LW TUNER BLOCK | 1 |
| 55 | 880-1418A | FM TUNER BLOCK | 1 |
| 57 | 074-0930-03 | OUTLET SOCKET*26P ISO | 1 |
| 58 | 330-9391-01 | BACK PLATE | 1 |
| 59 | 076-0420-02 | PLUG*10P | 1 |
| 60 | 076-0288-02 | PLUG*2P | 1 |
| 61 | 074-0818-00 | OUTLET SOCKET*13P-BUS | 1 |
| 62 | 331-0161-05 | ANT-HOLDER | 1 |
| 63 | 311-1591-08 | LOWER CASE | 1 |
| 64 | 716-1461-00 | SPACER | 4 |
| 65 | 290-4411-00 | LABEL | 1 |
| 66 | 290-4642-00 | LABEL | 1 |
| 67 | 930-0735-00 | TAPE-MECHANISM*GFX | 1 |
| 68 | 716-0878-00 | IT-SCREW | 4 |
| 69 | 310-1527-00 | UPPER CASE | 1 |
| 70 | 714-2605-81 | MACHINE SCREW | 4 |
| 72 | 060-0057-52 | AUTO-FUSE*3A | 1 |
| 73 | 335-4476-06 | PANEL | 1 |
| 74 | 353-0359-00 | SHADE | 2 |
| 75 | 286-7975-02 | SETPLATE | 1 |
| 76 | 347-3827-00 | INSULATOR | 1 |
| 77 | 076-0433-20 | PLUG*20P | 1 |
| 81 | 716-0871-00 | STUD BOLT | 1 |

| NO | PART NO. | DESCRIPTION | QTY |
|----|-------------|-------------------|-----|
| 2 | 380-5301-01 | KNOB | 1 |
| 3 | 940-1665A | ESCUTCHEON-ASSY | 1 |
| 5 | 854-3230-00 | EXTENSION LEAD*8P | 1 |
| 8 | 382-3350-01 | BUTTON*SEL | 1 |
| 9 | 947-0352-07 | BUTTON-ASSY | 1 |
| 10 | 382-3352-01 | BUTTON*MAN | 1 |

■ PARTS LIST:

© Electrical section
• SWITCH P.W.B

| REF NO. | PART NO. | DESCRIPTION | QTY |
|---------------|-------------|----------------|-----|
| D104 | 001-0207-00 | LED *RED | 1 |
| D101-103, 107 | 001-0486-04 | LED GLHS111 | 4 |
| D105, 106 | 001-7009-01 | LED GLHS112 | 2 |
| C104, 107 | 043-1601-10 | CHIP-C 0.1 μF | 2 |
| IC101 | 051-1345-15 | IC MB88307APFG | 1 |

| REF NO. | PART NO. | DESCRIPTION | QTY |
|------------|-------------|----------------|-----|
| IC102, 103 | 051-6005-00 | IC LC75821E | 2 |
| C101 | 176-3301-00 | CHIP-C 33pF | 1 |
| C102 | 178-1032-05 | CHIP-C 0.01 μF | 1 |
| C103, 106 | 178-6812-05 | CHIP-C 680pF | 2 |

• MAIN P.W.B

| REF NO. | PART NO. | DESCRIPTION | QTY |
|----------------|-------------|------------------------|-----|
| D113 | 001-0188-01 | DIODE 1S1885A | 1 |
| D115, 123, 142 | 001-0330-00 | DIODE ISS119 | 3 |
| | 001-0352-00 | ISS176 | |
| D103, 128, 146 | 001-0356-00 | DIODE ISS184 | 5 |
| 701, 702 | 001-0354-00 | MA151WK | |
| D145, 401 | 001-0356-05 | DIODE ISS181 | 2 |
| | 001-0354-05 | MA151WA | |
| D131, 143, 144 | 001-0367-00 | DIODE ISS226 | 6 |
| 151, 601, 602 | 001-0541-00 | MA157A | |
| D106 | 001-0377-34 | DIODE MA4062L | 1 |
| | 001-0376-34 | MTZJ6.2A | |
| D121 | 001-0377-39 | DIODE MA4068H | 1 |
| | 001-0376-40 | MTZJ7.5A | |
| D120, 122 | 001-0377-47 | DIODE MA4091M | 2 |
| | 001-0376-48 | MTZJ9.1C | |
| D104 | 001-0377-48 | DIODE MA4091H | 1 |
| | 001-0376-49 | MTZJ10A | |
| D108 | 001-0377-50 | DIODE MA4100M | 1 |
| | 001-0376-51 | MTZJ10C | |
| D116 | 001-0377-63 | DIODE MA4150M | 1 |
| | 001-0376-64 | MTZJ15C | |
| D107, 112, 114 | 001-0466-00 | DIODE S5688B | 4 |
| 295 | 001-0534-00 | 1SR139-100 | |
| D117, 118 | 001-0502-00 | DIODE 1FWJ43 | 2 |
| D105, 111, 124 | 001-0516-00 | DIODE MA111 | 7 |
| 129, 130, 137 | | | |
| 138 | | | |
| D101, 102 | 001-0579-00 | DIODE 1SV128 | 2 |
| P0601 | 002-0220-00 | THERMISTOR *PTH60T102 | 1 |
| P0101 | 002-0222-00 | THERMISTOR *PTH61GR2R | 1 |
| IFT602 | 005-1022-51 | IF-TRANS *MS3A | 1 |
| IFT601 | 005-1035-00 | IF-TRANS *OV | 1 |
| L113 | 009-0470-02 | CHOKE *B/U | 1 |
| L109 | 009-0618-00 | CHOKE *ACC | 1 |
| L101 | 010-2003-04 | COIL *36uH | 1 |
| L620 | 010-2174-36 | COIL *1mH | 1 |
| L621 | 010-2199-16 | COIL *2.2uH | 1 |
| L105, 106, 112 | 010-2230-14 | COIL *2.2uH | 3 |
| L102, 103 | 010-2230-16 | COIL *3.3uH | 2 |
| L107, 111 | 010-2230-28 | COIL *33uH | 2 |
| L104 | 010-2230-33 | COIL *82uH | 1 |
| VR502 | 012-4318-00 | VARIABLE-R *330 | 1 |
| VR501 | 012-4318-04 | VARIABLE-R *3.3K | 1 |
| VR401, 402 | 012-4318-06 | VARIABLE-R *10K-DBY | 2 |
| VR101 | 012-4738-11 | VARIABLE-R *220K | 1 |
| VR102 | 012-4738-12 | VARIABLE-R *330K | 1 |
| VR601 | 012-4863-06 | VARIABLE-R *10K | 1 |
| VR603, 604 | 012-4863-07 | VARIABLE-R *22K | 2 |
| VR602 | 012-4863-09 | VARIABLE-R *47K | 1 |
| C193 | 042-0171-00 | TANTALUM-C 16V 47 μF | 1 |
| C120 | 042-0176-00 | TANTALUM-C 16V 10 μF | 1 |
| C619 | 042-0245-00 | TANTALUM-C 35V 0.68 μF | 1 |
| C198 | 042-0334-32 | ELECTRO-C 16V 100 μF | 1 |
| C197, 710, 711 | 042-0378-00 | ELECTRO-C 10V 220 μF | 5 |
| 709, 724 | | | |
| C112, 122, 635 | 042-0397-00 | CHIP-C 16V 1 μF TAN | 4 |
| 639 | | | |
| C106 | 042-0397-03 | CHIP-C 25V 0.47 μF TAN | 1 |
| C200 | 042-0397-04 | CHIP-C 10V 2.2 μF TAN | 1 |
| C640 | 042-0397-06 | CHIP-C 35V 0.1 μF TAN | 1 |
| C607 | 042-0403-01 | CHIP-C 16V 10 μF TAN | 1 |
| C260 | 042-0450-00 | ELECTRO-C 6.3V 470 μF | 1 |

| REF NO. | PART NO. | DESCRIPTION | QTY |
|----------------|-------------|-------------------------|-----|
| C119, 144, 148 | 042-0452-01 | ELECTRO-C 10V 220 μF | 10 |
| 149, 461, 712 | | | |
| 713, 722, 723 | | | |
| 725 | | | |
| C636 | 043-1600-39 | CHIP-C 0.039 μF | 1 |
| C203, 517, 526 | 043-1600-47 | CHIP-C 0.047 μF | 8 |
| 604, 608, 609 | | | |
| 627, 628 | | | |
| C514 | 043-1600-56 | CHIP-C 0.056 μF | 1 |
| C118, 527, 631 | 043-1600-68 | CHIP-C 0.068 μF | 3 |
| C436, 452 | 043-1600-82 | CHIP-C 0.082 μF | 2 |
| C101, 151, 188 | 043-1601-10 | CHIP-C 0.1 μF | 25 |
| 194, 201, 202 | | | |
| 233, 236, 249 | | | |
| 253, 256, 456 | | | |
| 254, 402, 405 | | | |
| 460, 463, 503 | | | |
| 507, 510, 525 | | | |
| 528, 603, 614 | | | |
| 624 | | | |
| IC119 | 051-0160-56 | IC HD74LS07FPD | 1 |
| IC104, 404 | 051-0350-55 | IC NJM4558M | 2 |
| IC502 | 051-0556-01 | IC NJM2058M | 1 |
| IC401, 402 | 051-0853-01 | IC M5201FP | 2 |
| IC131 | 051-0869-05 | IC MB3771PF(-G) | 1 |
| IC106 | 051-1014-10 | IC TA7291S | 1 |
| IC405 | 051-1038-01 | IC CXA1102M | 1 |
| IC115 | 051-1046-46 | IC LC3517BML | 1 |
| IC109 | 051-1188-01 | IC TA78DL06AP | 1 |
| IC602 | 051-1250-00 | IC TC4S66F | 1 |
| IC101 | 051-1282-00 | IC TA7372P | 1 |
| IC117 | 051-1375-35 | IC S2430 | 1 |
| IC105, 701-704 | 051-1407-00 | IC NJM4556L | 5 |
| IC601 | 051-1525-00 | IC TA8172AF | 1 |
| IC110 | 051-1556-05 | IC S-80740AN | 1 |
| IC503 | 051-1817-00 | IC TDA1581T | 1 |
| IC501 | 051-1819-00 | IC SAA6579T | 1 |
| IC403 | 051-5001-00 | IC M51139FPA | 1 |
| IC116 | 052-1103-01 | μ PD17006AGF-625-389 | 1 |
| IC118 | 052-3109-01 | μ PD75518AGF-173-389 | 1 |
| SUP101, 102 | 060-0122-10 | SURGE PROTECTOR | 2 |
| X102 | 060-0130-50 | CERA-RESONATOR *4.19MHz | 1 |
| FIL101 | 060-0235-00 | BAND-PASS-FILTER | 1 |
| X601 | 060-0240-00 | CERA-RESONATOR *1F 456K | 1 |
| X101 | 061-1053-00 | CRYSTAL *4.5MHz | 1 |
| X501 | 061-3013-00 | CRYSTAL-OSC *4.332MHz | 1 |
| Q112, 113, 128 | 100-1162-00 | TRANSISTOR 2SA1162 | 8 |
| 148, 701-704 | 100-1179-00 | 2SA1179 | |
| Q134 | 100-1298-00 | TRANSISTOR 2SA1298 | 1 |
| Q117, 124, 135 | 100-1431-00 | TRANSISTOR 2SA1431 | 3 |
| Q114 | 101-1243-00 | TRANSISTOR 2SB1243 | 1 |
| Q101-103, 105 | 102-2712-51 | TRANSISTOR 2SC2712G, L | 11 |
| 108, 109, 115 | 102-2412-50 | 2SC2412K-R, S | |
| 118, 133, 154 | | | |
| 605 | | | |
| Q603 | 102-2715-00 | TRANSISTOR 2SC2715 | 1 |
| Q106, 107 | 102-3624-00 | TRANSISTOR 2SC3624AL | 2 |
| Q116 | 103-1858-00 | TRANSISTOR 2SD1858 | 1 |
| Q129, 125 | 103-2012-00 | TRANSISTOR 2SD2012 | 2 |
| Q604 | 108-0372-00 | FET 2SK372 | 1 |

| REF NO. | PART NO. | DESCRIPTION | QTY |
|----------------|-------------|----------------------|-----|
| Q130, 141, 153 | 125-0002-03 | TRANSISTOR RN2403 | 3 |
| | 125-0001-02 | UN2112 | |
| | 125-0014-03 | DTA124EK | |
| Q139, 140, 155 | 125-2004-02 | TRANSISTOR RN1402 | 3 |
| | 125-2005-01 | UN2211 | |
| | 125-2020-02 | DTC114EK | |
| | 125-2031-02 | MUN2211 | |
| Q104, 110 | 125-2004-03 | TRANSISTOR RN1403 | 11 |
| 126, 131, 136 | 125-2005-02 | UN2212 | |
| 150, 401, 501 | 125-2020-03 | DTC124EK | |
| 502, 601, 602 | | | |
| Q127, 132 | 125-0013-07 | TRANSISTOR RN2427 | 2 |
| R155 | 114-2291-11 | FILM-R 1W 2.2Ω | 1 |
| C116, 183, 185 | 172-1041-11 | POLYESTOR-C 0.1 μF | 5 |
| 189, 212 | | | |
| C121 | 172-2231-11 | POLYESTOR-C 0.022 μF | 1 |
| C117 | 172-4731-11 | POLYESTOR-C 0.047 μF | 1 |
| C521, 522 | 172-6831-11 | POLYESTOR-C 0.068 μF | 2 |
| C145, 147, 408 | 176-1011-00 | CHIP-C 100pF | 13 |
| 410, 518, 701 | | | |
| 704, 705, 708 | | | |
| 714, 715, 718 | | | |
| 721 | | | |
| C237, 238, 615 | 176-2201-00 | CHIP-C 22pF | 3 |
| C109, 434, 453 | 176-2211-00 | CHIP-C 220pF | 3 |
| C616 | 176-2701-00 | CHIP-C 27pF | 1 |
| C501, 516, 612 | 176-3311-00 | CHIP-C 330pF | 3 |
| C467, 506 | 176-4701-00 | CHIP-C 47pF | 2 |
| C104, 105, 440 | 176-4711-00 | CHIP-C 470pF | 4 |
| 448 | | | |
| C520 | 176-5601-00 | CHIP-C 56pF | 1 |
| C504 | 176-5611-00 | CHIP-C 560pF | 1 |
| C111, 407, 409 | 176-6801-00 | CHIP-C 68pF | 3 |
| C641 | 176-6811-00 | CHIP-C 680pF | 1 |
| C505 | 176-8201-00 | CHIP-C 82pF | 1 |
| C523, 529 | 177-1542-05 | CHIP-C 0.15 μF | 2 |
| C457, 462, 524 | 177-2242-05 | CHIP-C 0.22 μF | 3 |
| C234, 235 | 178-1022-05 | CHIP-C 1000pF | 16 |
| 239-248, 621 | | | |
| 625, 626, 630 | | | |
| C107, 110 | 178-1032-05 | CHIP-C 0.01 μF | 23 |
| 114, 127-130 | | | |
| 192, 301, 415 | | | |
| 431, 620, 623 | | | |
| 801-810 | | | |

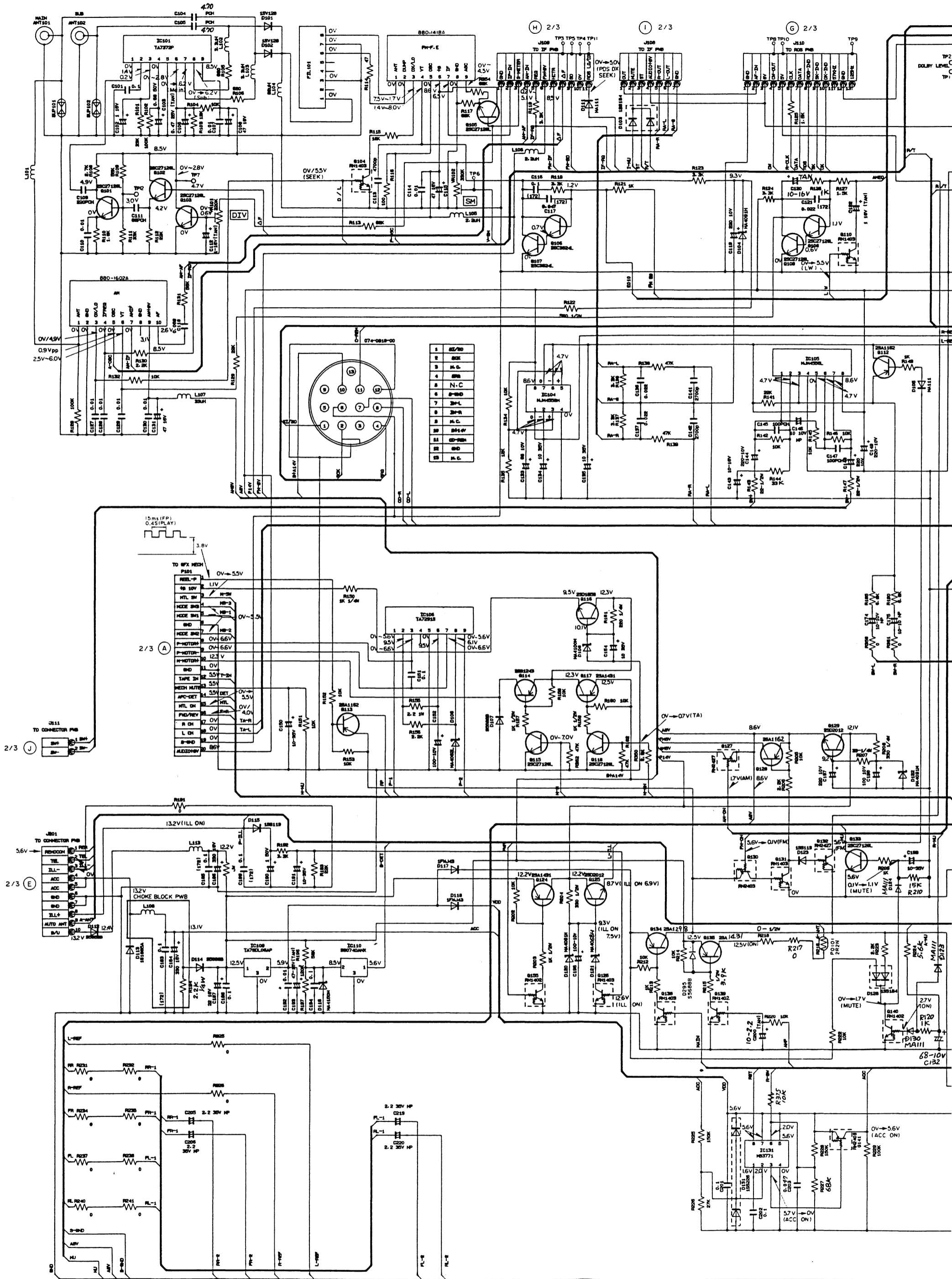
• SIDE P.W.B

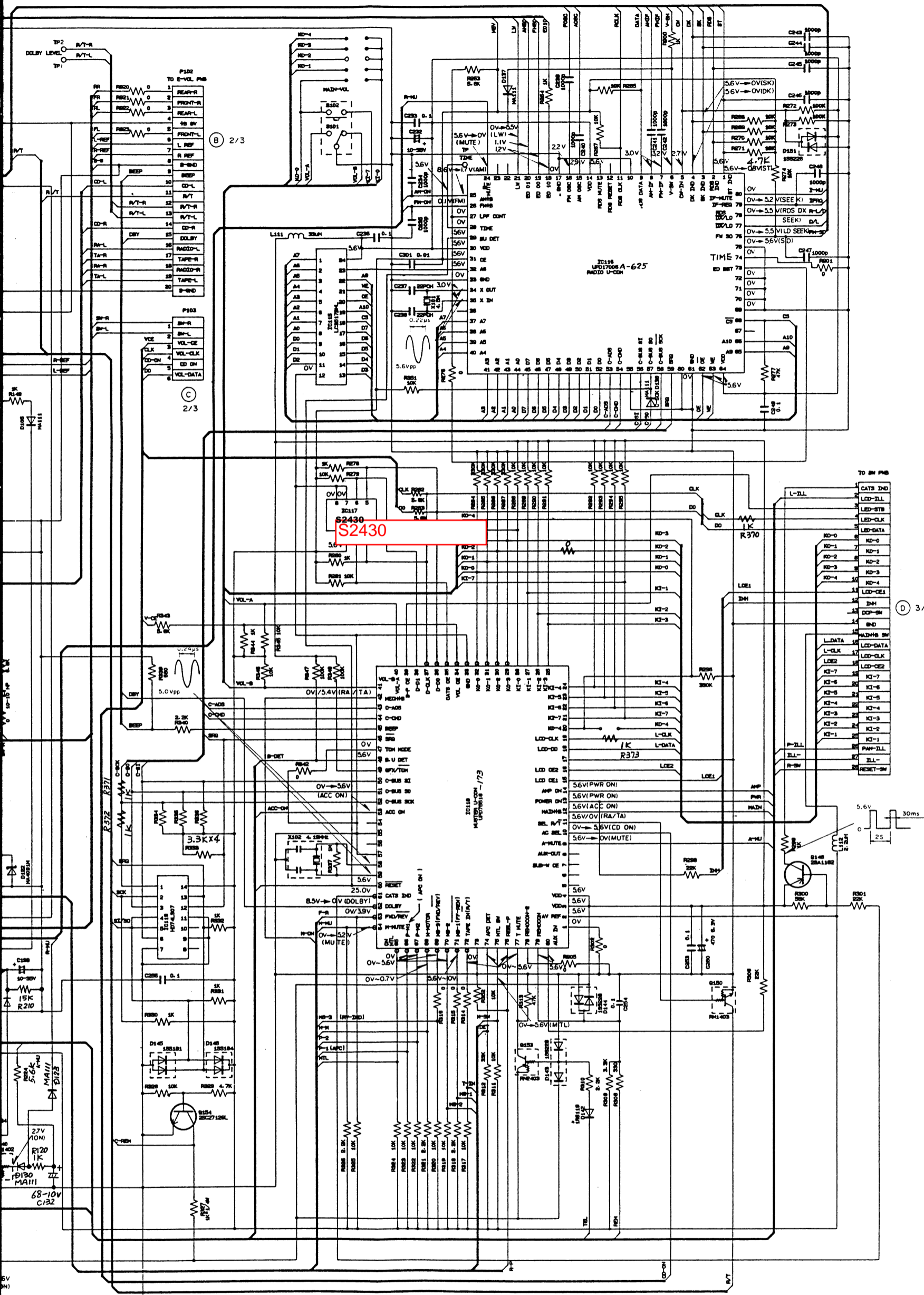
| REF NO. | PART NO. | DESCRIPTION | QTY |
|----------|-------------|----------------------|-----|
| C6, 7 | 042-0476-01 | ELECTRO-C 10V 33 μF | 2 |
| IC1 | 051-1546-10 | IC BA3430S | 1 |
| C8, 9 | 173-1231-10 | POLYESTOR-C 0.012 μF | 2 |
| C1-4, 12 | 175-5611-50 | CHIP-C 560pF | 5 |
| C11 | 183-1043-61 | ELECTRO-C 50V 0.1 μF | 1 |

| REF NO. | PART NO. | DESCRIPTION | QTY |
|----------------|-------------|-------------------------|-----|
| C441, 447 | 178-1232-05 | CHIP-C 0.012 μF | 2 |
| C530 | 178-1832-05 | CHIP-C 0.018 μF | 1 |
| C606 | 178-2222-05 | CHIP-C 2200pF | 1 |
| C136, 137, 605 | 178-2232-05 | CHIP-C 0.022 μF | 4 |
| 617 | | | |
| C141, 142 | 178-2722-05 | CHIP-C 2700pF | 2 |
| C513 | 178-2732-05 | CHIP-C 0.027 μF | 1 |
| C113 | 178-4722-05 | CHIP-C 4700pF | 1 |
| C146, 174, 175 | 182-1066-25 | ELECTRO-C 10V 10 μF | 5 |
| 703, 707 | | | |
| C602 | 182-4763-23 | ELECTRO-C 10V 47 μF | 1 |
| C108, 115 | 182-4763-33 | ELECTRO-C 16V 47 μF | 2 |
| C102, 190, 412 | 183-1053-61 | ELECTRO-C 50V 1 μF | 9 |
| 417, 509, 515 | | | |
| 611, 632, 634 | | | |
| C143, 413, 459 | 183-1063-31 | ELECTRO-C 16V 10 μF | 18 |
| 508, 511, 512 | | | |
| 531, 532, 610 | | | |
| 618, 629, 637 | | | |
| 642, 638, 702 | | | |
| 706, 715, 719 | | | |
| C134, 135, 154 | 183-1063-51 | ELECTRO-C 35V 10 μF | 7 |
| 166, 191, 199 | | | |
| 232 | | | |
| C403, 406, 716 | 183-1066-21 | ELECTRO-C 10V 10 μF | 4 |
| 720 | | | |
| C419 | 183-1073-11 | ELECTRO-C 6.3V 100 μF | 1 |
| C152, 196 | 183-1073-21 | ELECTRO-C 10V 100 μF | 2 |
| C502 | 183-2253-61 | ELECTRO-C 50V 2.2 μF | 1 |
| C205, 206, 219 | 183-2256-51 | ELECTRO-C 35V 2.2 μF NP | 16 |
| 220, 432, 433 | | | |
| 435, 437, 443 | | | |
| 445, 451, 454 | | | |
| 455, 466, 902 | | | |
| 903 | | | |
| C187 | 183-2263-31 | ELECTRO-C 16V 22 μF | 1 |

CIRCUIT DIAGRAM: 1/3

© MAIN PWB



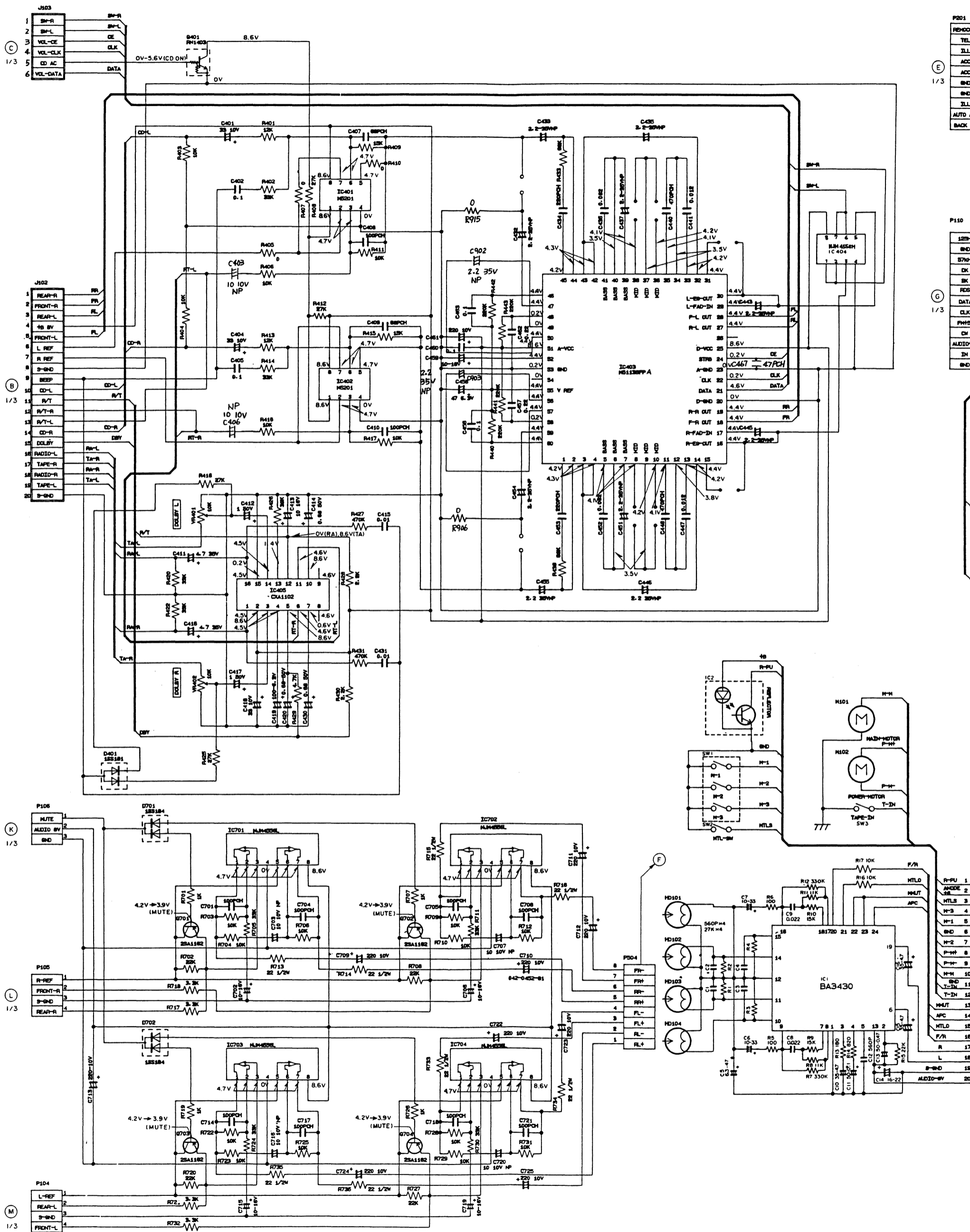


(B) 2/3

(C) 2/3

(D) 3/3

| | | |
|-----------------|-----------------|-----------------|
| TO LINE-OUT PMS | TO LINE-OUT PMS | TO LINE-OUT PMS |
| MUTE | MUTE | MUTE |
| 47V | 47V | 47V |
| 0 | 0 | 0 |
| 47V | 47V | 47V |
| 0 | 0 | 0 |
| 47V | 47V | 47V |
| 0 | 0 | 0 |
| 47V | 47V | 47V |



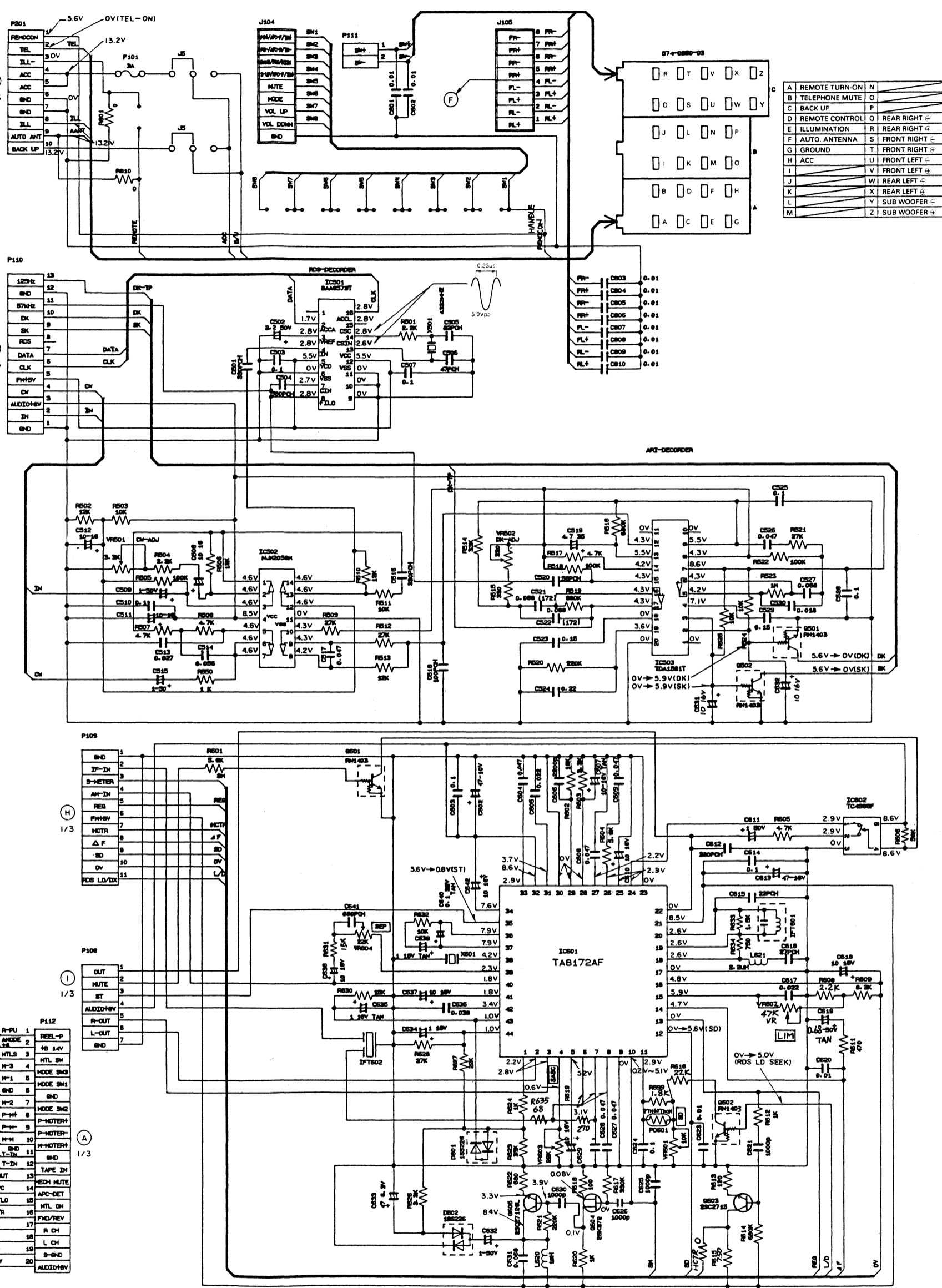
E
1/3

C
1/3

H
1/3

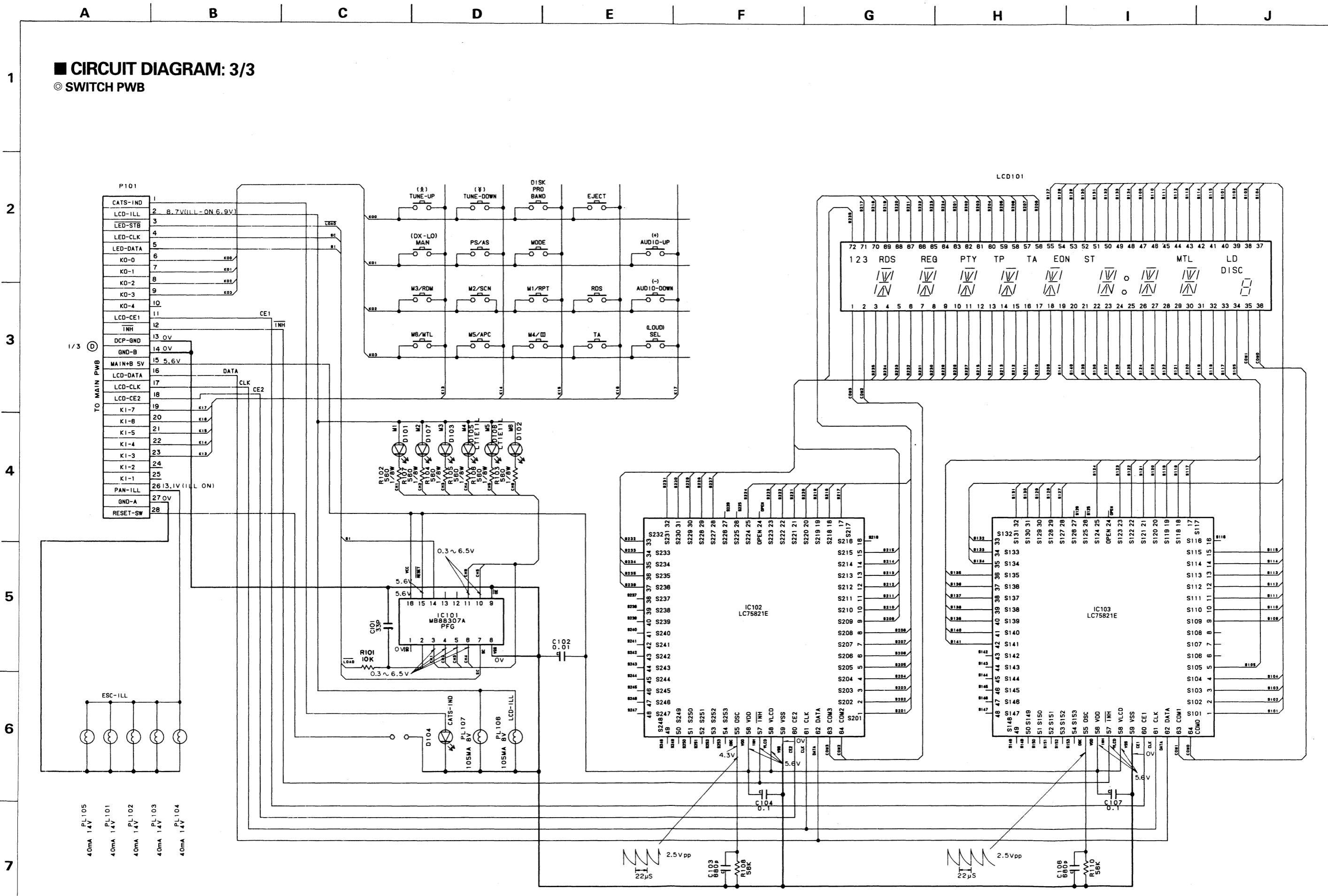
I
1/3

A
1/3



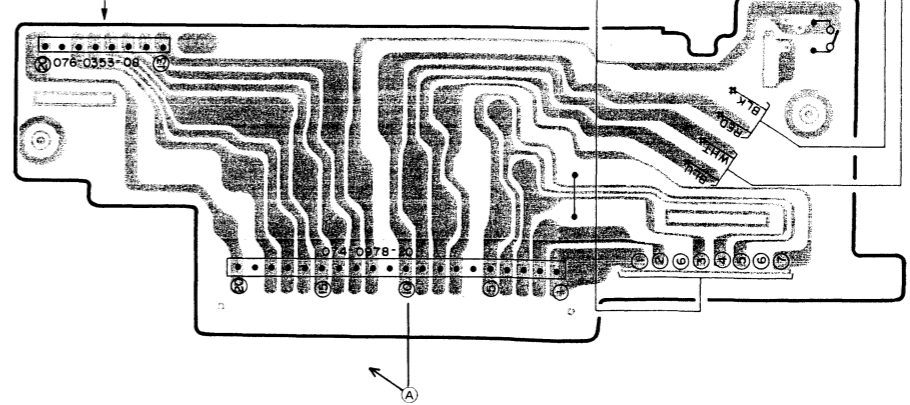
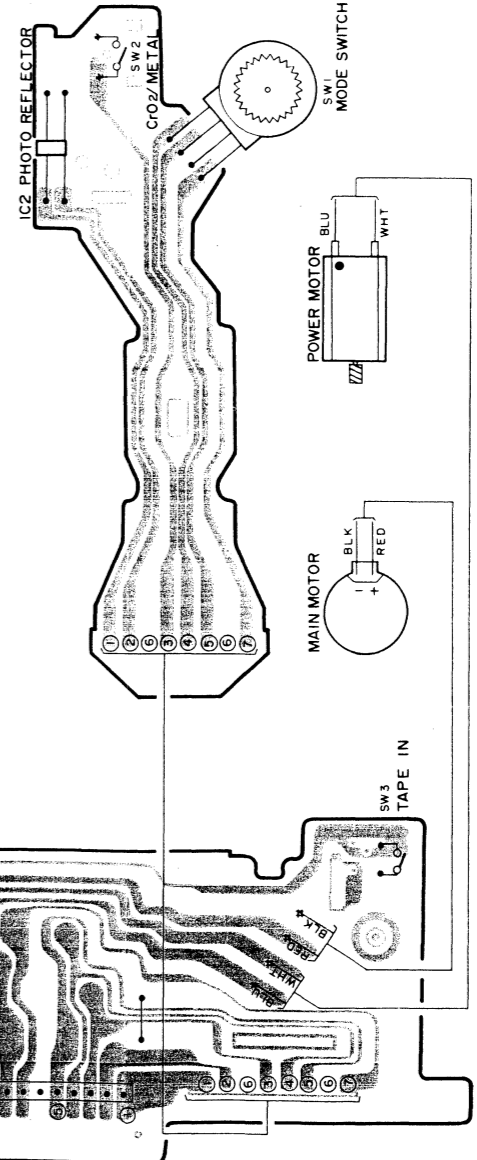
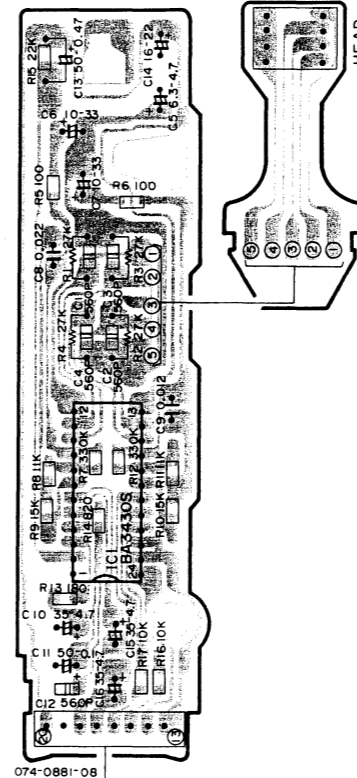
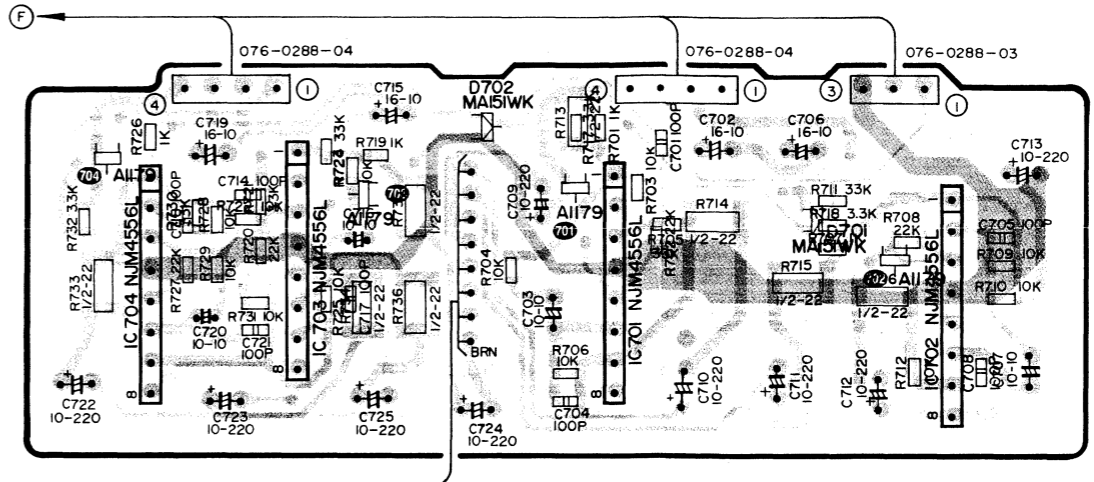
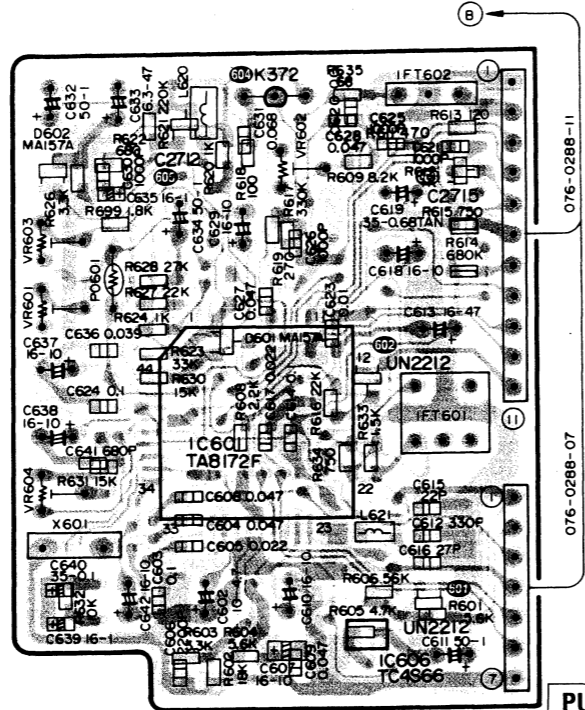
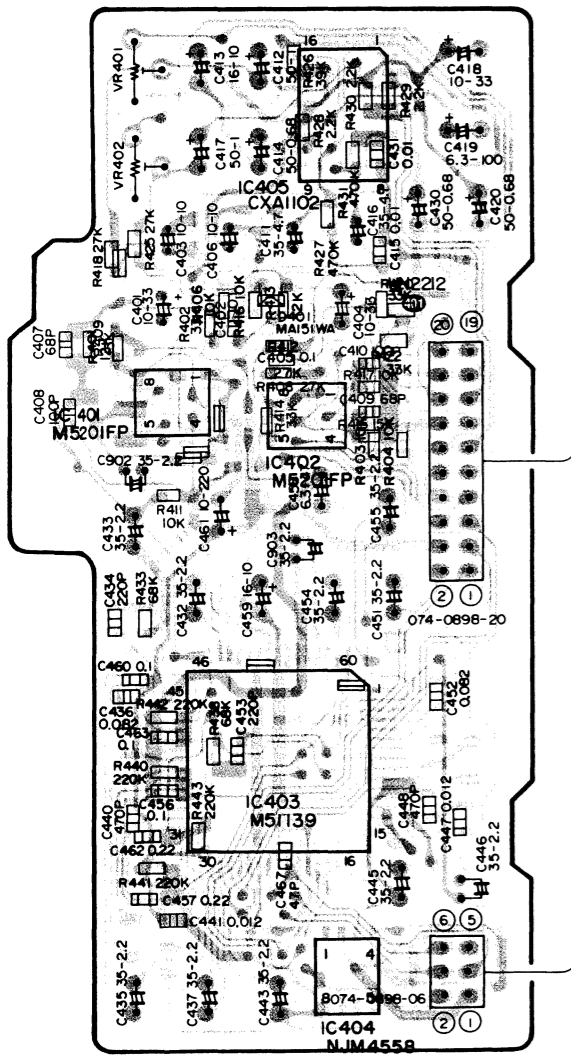
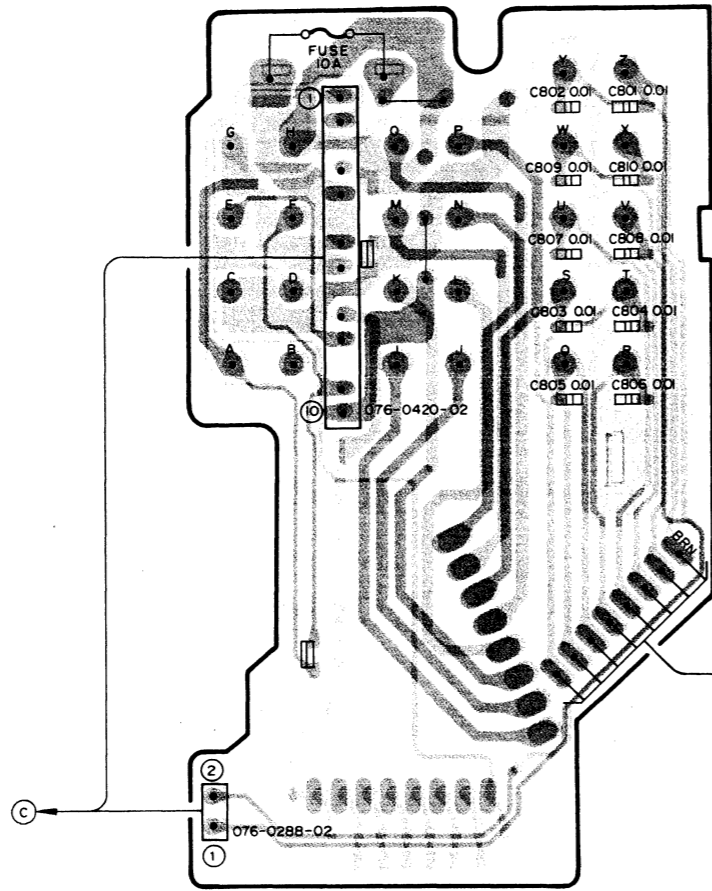
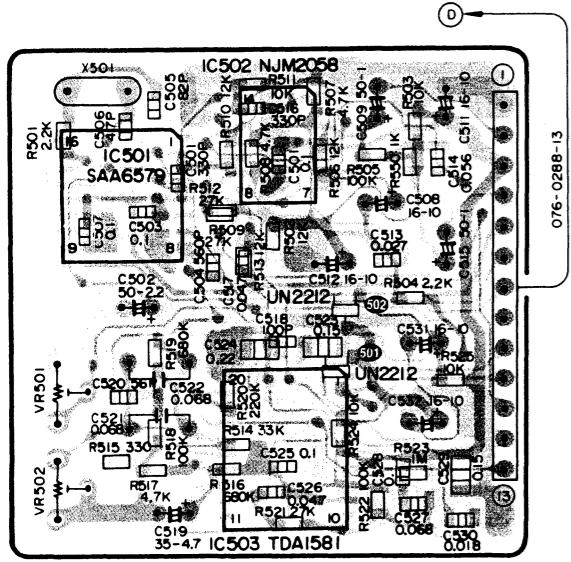
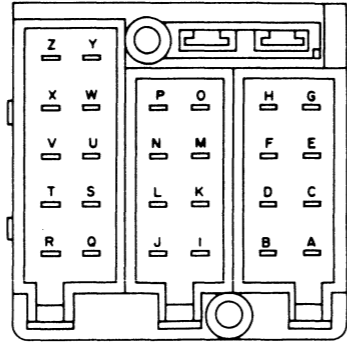
| | | |
|---|----------------|---|
| A | REMOTE TURN-ON | N |
| B | TELEPHONE MUTE | O |
| C | BACK UP | P |
| D | REMOTE CONTROL | Q |
| E | ILLUMINATION | R |
| F | AUTO. ANTENNA | S |
| G | GROUND | T |
| H | ACC | U |
| I | | V |
| J | | W |
| K | | X |
| L | | Y |
| M | | Z |

■ CIRCUIT DIAGRAM: 3/3
 © SWITCH PWB



■ PRINTED WIRING BOARD: 2/2

| | | |
|---|----------------|---|
| A | REMOTE TURN-ON | N |
| B | TELEPHONE MUTE | O |
| C | BACK UP | P |
| D | REMOTE CONTROL | Q |
| E | ILLUMINATION | R |
| F | AUTO ANTENNA | S |
| G | GROUND | T |
| H | ACC | U |
| I | | V |
| J | | W |
| K | | X |
| L | | Y |
| M | | Z |

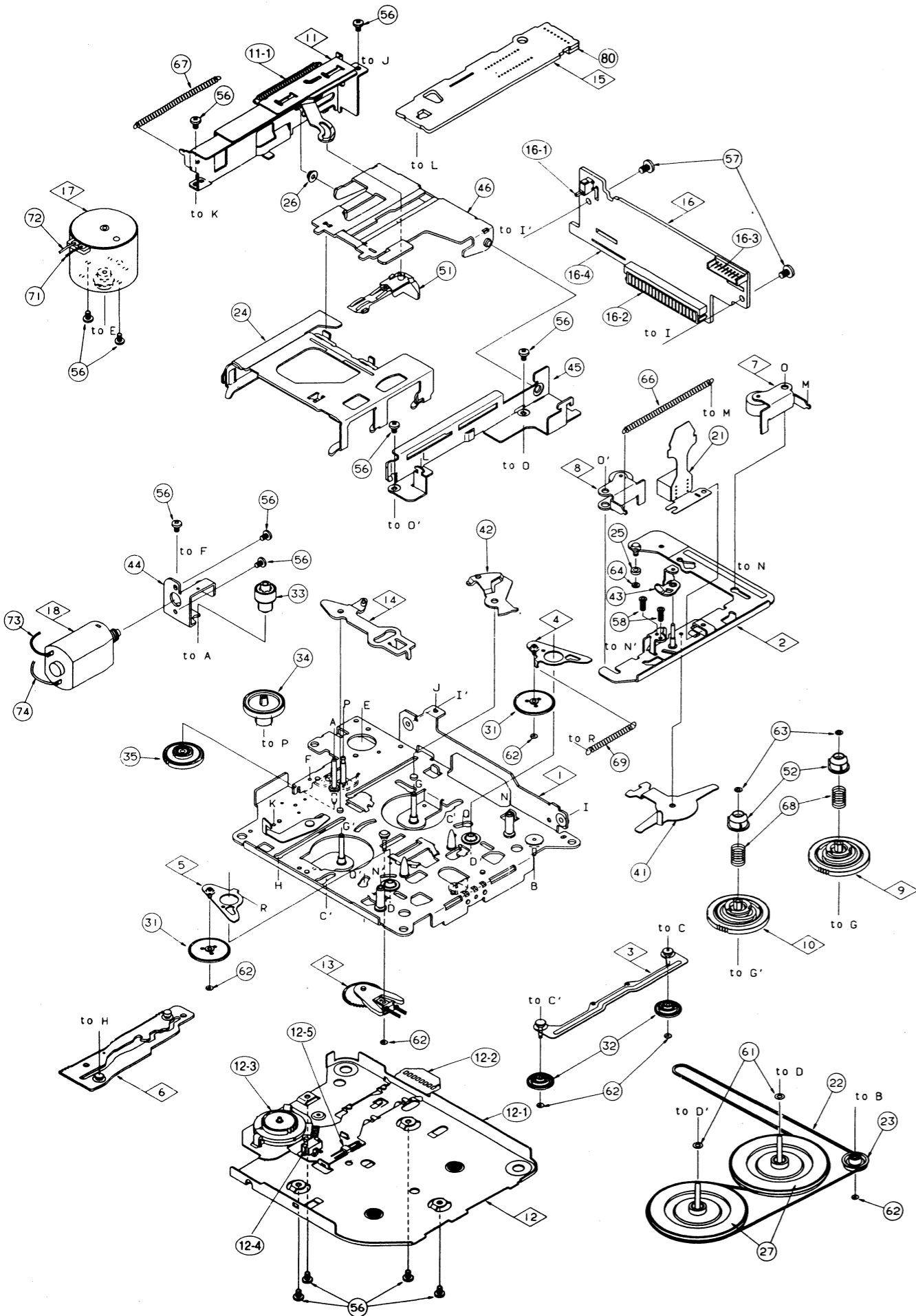


PU-9836A

PU-9836A

EXPLODED VIEW • PARTS LIST:

© Tape mechanism section 930-0735-00



| NO | PART NO. | DESCRIPTION | QTY |
|------|-------------|-------------------|-----|
| 1 | 960-4294-08 | DECK PLATE-ASSY | 1 |
| 2 | 960-4261-04 | HEAD PLATE ASSY | 1 |
| 3 | 960-4262-03 | FF/REW-P-ASSY | 1 |
| 4 | 960-4263-01 | IDLER-P-ASSY F | 1 |
| 5 | 960-4264-01 | IDLER-P-ASSY R | 1 |
| 6 | 960-4266-05 | MODE PLATE-ASSY | 1 |
| 7 | 960-4269-04 | ROLLER ASSY F | 1 |
| 8 | 960-4270-04 | ROLLER ASSY R | 1 |
| 9 | 960-4271-02 | REEL ASSY F | 1 |
| 10 | 960-4272-02 | REEL ASSY R | 1 |
| 11 | 960-4298-90 | EJECT SUB-ASSY | 1 |
| 11-1 | 750-2948-01 | SW-PLATE SPRING | 1 |
| 12 | 960-4296-90 | BOTTOM SUB-ASSY | 1 |
| 12-1 | 960-4295-02 | BOTTOM P-ASSY | 1 |
| 12-2 | 099-9548-00 | FLEX PWB | 1 |
| 12-3 | 013-3951-00 | SWITCH | 1 |
| 12-4 | 013-3953-00 | SWITCH | 1 |
| 12-5 | 051-1114-03 | IC NJL5161K-P | 1 |
| 12-6 | 746-0767-00 | WASHER | 2 |
| 13 | 960-4282-03 | DETECT-SUB-ASSY | 1 |
| 14 | 960-4301-02 | PLAY-L-ASSY GF | 1 |
| 15 | 099-9540-00 | SIDE PWB | 1 |
| 15-1 | 074-0881-08 | OUTLET SOCKET*8P | 1 |
| 16 | 990-0692-00 | REAR-PWB-ASSY | 1 |
| 16-1 | 013-3906-00 | SWITCH | 1 |
| 16-2 | 074-0978-20 | OUTLET SOCKET*20P | 1 |
| 16-3 | 076-0353-08 | PLUG*8P | 1 |
| 16-4 | 099-9541-00 | PWB | 1 |
| 17 | SMA-130-100 | DC-MOTOR*MAIN | 1 |
| 18 | SMA-131-100 | DC-MOTOR*POWER | 1 |
| 21 | 011-0307-28 | HEAD | 1 |
| 22 | 602-0118-00 | BELT | 1 |
| 23 | 604-0046-00 | TENSION PULLEY | 1 |

| NO | PART NO. | DESCRIPTION | QTY |
|----|-------------|---------------------|-----|
| 24 | 606-0101-05 | PACK GUIDE | 1 |
| 25 | 610-0342-01 | HEAD-P-ROLLER | 1 |
| 26 | 610-0343-00 | GUIDE A ROLLER | 1 |
| 27 | 611-0091-02 | FLYWHEEL | 2 |
| 31 | 613-0285-02 | IDLER GEAR | 2 |
| 32 | 613-0286-02 | FF/REW GEAR | 2 |
| 33 | 613-0288-01 | HERICAL GEAR | 1 |
| 34 | 613-0289-01 | GEAR A | 1 |
| 35 | 613-0290-00 | POWER GEAR | 1 |
| 41 | 630-2597-01 | CHANGE LINK | 1 |
| 42 | 630-2598-04 | EJECT LINK | 1 |
| 43 | 630-2600-01 | ADJUST LINK | 1 |
| 44 | 630-2601-02 | MOTOR PLATE | 1 |
| 45 | 630-2626-01 | PWB FRAME | 1 |
| 46 | 630-2605-01 | GUIDE ARM | 1 |
| 51 | 631-1992-01 | PACK STOPPER | 1 |
| 52 | 631-1993-01 | SLIDE BUSH | 2 |
| 56 | 716-0484-00 | SCREW*M2X2.25 B | 13 |
| 57 | 716-0761-01 | SCREW | 2 |
| 58 | 716-0833-10 | AZIMUTH SCREW | 2 |
| 61 | 746-0624-00 | WASHER | 2 |
| 62 | 746-0724-00 | WASHER | 6 |
| 63 | 746-0761-00 | WASHER | 2 |
| 64 | 746-0762-00 | WASHER | 1 |
| 66 | 750-2946-02 | PINCH SPRING | 1 |
| 67 | 750-2947-01 | EJECT-P-SPRING | 1 |
| 68 | 750-2949-00 | SLIDE SPRING | 2 |
| 69 | 750-3017-01 | IDLER-P-SPRING | 1 |
| 71 | 800-4911-60 | VINYL-COAT-WIRE*BLK | 1 |
| 72 | 802-4911-60 | VINYL-COAT-WIRE*RED | 1 |
| 73 | 806-4914-60 | VINYL-COAT-WIRE*BLU | 1 |
| 74 | 809-4914-60 | VINYL-COAT-WIRE*WHT | 1 |

Free Manuals Download Website

<http://myh66.com>

<http://usermanuals.us>

<http://www.somanuals.com>

<http://www.4manuals.cc>

<http://www.manual-lib.com>

<http://www.404manual.com>

<http://www.luxmanual.com>

<http://aubethermostatmanual.com>

Golf course search by state

<http://golfingnear.com>

Email search by domain

<http://emailbydomain.com>

Auto manuals search

<http://auto.somanuals.com>

TV manuals search

<http://tv.somanuals.com>