

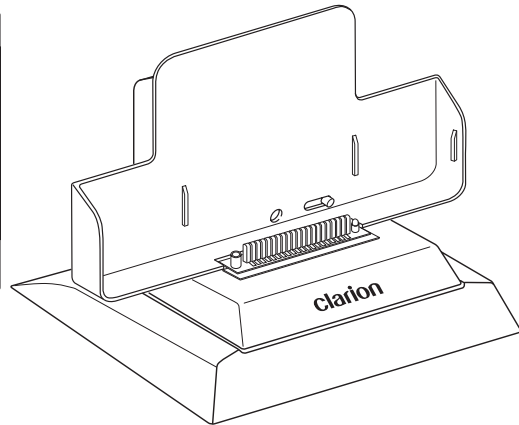
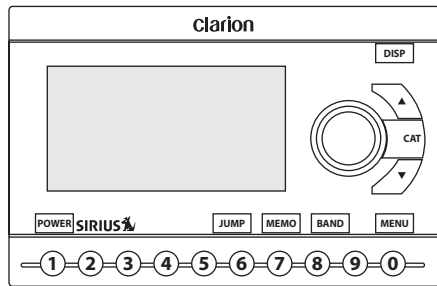
Clarion®

CLHK

SIRIUS



Home Installation Kit



Home Installation Guide

Dear Customer

Congratulations on your purchase of the world's finest brand in the electronic industry. At Clarion we are committed to high-quality sound reproduction, and are confident that you will be pleased with your purchase.

Clarion's Sirius Satellite Plug and Play Receiver provides entertainment with the flexibility of both home and car use.

100 channels of original programming received in high-quality digital sound provide:

- 60 channels of commercial-free music
- 40 channels of news, sports and entertainment

This CLHK installation kit contains the antenna and power adapter required to provide satellite radio in your home or office. The antenna connects to the Plug and Play receiver cradle.

When traveling by car, you can enjoy satellite radio by disconnecting the Plug and Play receiver from its cradle at home and connecting it to the cradle in your car (with the optional CLCK Vehicle Installation Kit).

Clarion and Sirius Satellite Radio welcome you to an experience like no other.

To learn more about Clarion's complete line of audio products, please visit us at our Website:

www.clarion.com

Precautions

Do not mount the Plug and Play receiver where it obstructs any home entertainment component, such as your:

- Television
- Stereo system indicators and displays

By adhering to all warning and safety considerations you can avoid serious accidents and/or personal injury.

FCC Notice

This unit complies with the interference limits relative to a Class B digital device, applicable under Part 15 of the FCC Rules regarding installation in a residential environment. If the unit is not installed in accordance with these instructions, it could cause harmful interference to radio or television reception. If this condition persists after corrective action, consult your dealer or experienced installation facility.

Copyright and Trademarks

This document is copyrighted by Clarion. You may not copy any portion of it without permission.

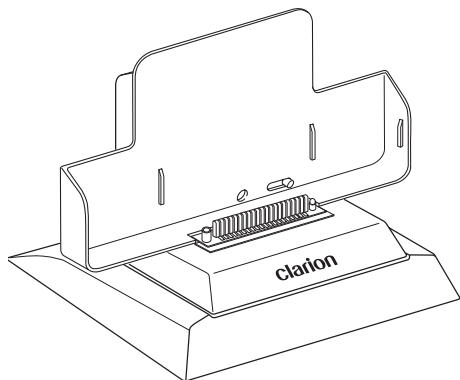
SIRIUS is a registered trademark of SIRIUS Satellite Radio.

Contents

Package contents	4	Removing the receiver	7
Installation cautions	5	Mount the antenna	8
Connections	5	Determine the best position	8
Position the antenna	6	Route the cable	9
Install the receiver	6	Connect to the stereo	9
		Limited warranty information	15

1. Package contents

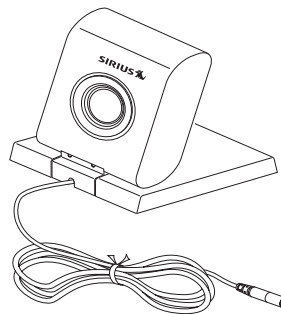
In addition to this manual, this kit includes the following:



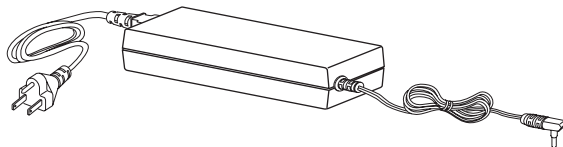
Cradle



Audio cable



Home antenna

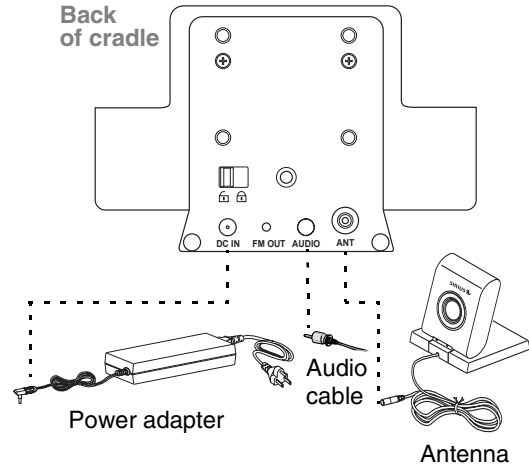


Power adapter

2. Installation cautions

- Don't connect the power adapter cable to a wall outlet until you've made and verified all other connections. Connect the power adapter cable last.
- Do not install the receiver where it will receive direct sunlight or be subject to extreme temperatures.
- Incorrect installation may cause damage to the system.
- When placing the antenna, see the antenna aiming procedure in the *Plug And Play Receiver User's Guide*.

3. Connections



Overview of the connections

4. Position the antenna

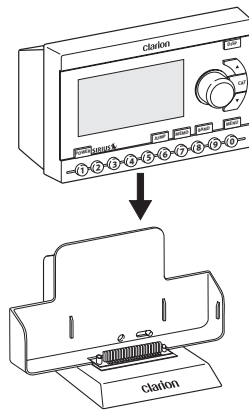
For best reception, place the antenna near a window. Initially, you may need to position the antenna several times to find the optimum location.

- In a major city, where SIRIUS ground repeaters are present, you can place the antenna away from a window and still get good reception.
- You may place the antenna outside on your roof, provided no overhead obstructions block the antenna's line-of-sight to the satellite.

Because the SIRIUS satellites orbit the earth, the strength of the signal may change over time. In most cases, the signal should be continuously available. If you experience a loss of signal or audio problems, reposition the antenna, moving it outside if necessary.

5. Install the receiver

1. Using the guides, place the Plug and Play receiver in the cradle so that the receiver connectors are lined up.



Plug and Play receiver and cradle

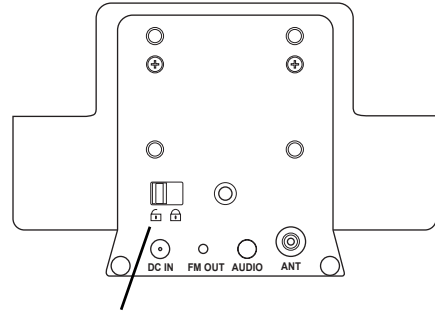
2. Gently slide the Plug and Play receiver into the cradle.
3. Press on the top of the receiver to engage the connectors.

The clip automatically engages.

6. Removing the receiver

When it's time to take the Plug and Play receiver with you:

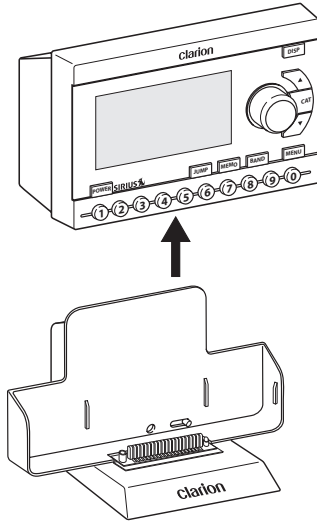
1. On the back of the cradle, move the lock/unlock slider to the unlock position.



Lock/Unlock slider

Back of the cradle

2. Gently lift the receiver upwards.



Removing the receiver

7. Mount the antenna

Place the antenna on a relatively flat surface.

Determine the best position

1. Plug the antenna into the connector on the side of the cradle.
2. Place the antenna at the preferred location inside or outside your home.
3. Press the power button to turn the Plug and Play receiver's power on.
4. Check the signal strength indicator in the bottom left corner of the display.

If necessary, move the antenna to different positions until the signal comes loud and clear.

5. If mounting the antenna outside, fix it in the best position. Indoors, the antenna can be free-standing.
6. Turn the Plug and Play receiver off.

Route the cable

If the antenna is in the same room as your stereo system, you may simply need to clip the antenna cable to the window frame, baseboard etc. Coil any surplus cable neatly and fasten with a cable tie.

If the antenna is outside or in another part of the building:

1. Plan the routing of the antenna cable to the Plug and Play receiver antenna input.

Avoid any obstructions that could crimp, kink or twist the cable.

2. Route the cable from the antenna position to the cradle, bringing it through the basement, under a window sill, etc.

Use protective grommets wherever you encounter rough openings. Make adjustments and take up slack whenever necessary.

8. Connect to the stereo

1. Plug the supplied audio cable into the side of the cradle and into your stereo system.
2. Plug the power cable into a 110-volt wall receptacle.

The power LED on the power button glows red.

You're ready to enjoy SIRIUS programming.

NOTES

NOTES

NOTES

NOTES

NOTES

1. Limited warranty information

For USA and Canada only

This product is warranted against all defects in material workmanship for a period of one year from the date of original purchase. Clarion ProAudio products, except for speakers, are covered by a two year limited warranty when installed by an authorized Clarion dealer. The conditions of this limited warranty and the extent of responsibility of Clarion Corporation of America ("Clarion") under this limited warranty are as follows:

1. PROOF OF DATE OF PURCHASE WILL BE REQUIRED FOR WARRANTY SERVICE OF THIS PRODUCT. IN THE CASE OF THE TWO (2) YEAR LIMITED WARRANTY FOR CLARION PROAUDIO PRODUCT, PROOF OF INSTALLATION BY AN AUTHORIZED DEALER IS REQUIRED. INFORMATION ABOUT CLARION AUTHORIZED WARRANTY SERVICE CENTERS MAY BE OBTAINED BY CONTACTING CLARION AT THE ADDRESS BELOW.
2. This limited warranty will become void if service performed by anyone other than an approved Clarion Warranty Service Center results in damage to the product.
3. This limited warranty does not apply to any product which has been subject to misuse, neglect or accident, or which has had the serial number altered, defaced or removed, or which has been connected, installed, adjusted or repaired, other than in accordance with the instructions furnished by Clarion.
4. This limited warranty does not cover car static or other electrical interferences, tape head or laser pick-up cleaning or adjustments, or labor costs for the removal or reinstallation of the unit for repair.
5. The sole responsibility of Clarion under this limited warranty shall be limited to the repair of the product or replacement of the product, at the sole discretion of Clarion.
6. Product must be shipped in its original carton or equivalent carton, fully insured, with shipping charges prepaid. Clarion will not assume any responsibility for any loss or damage incurred in shipping.
7. ALL IMPLIED WARRANTIES EXCEPT TO THE EXTENT PROHIBITED BY APPLICABLE LAW SHALL HAVE NO GREATER DURATION THAN THE WARRANTY PERIOD SET FORTH ABOVE. UNDER NO CIRCUMSTANCES SHALL CLARION BE LIABLE FOR ANY LOSS OR DAMAGE, DIRECT OR CONSEQUENTIAL, ARISING OUT OF THE USE OR INABILITY TO USE THE PRODUCT. BECAUSE SOME STATES DO NOT ALLOW LIMITATIONS ON HOW LONG AN IMPLIED WARRANTY LASTS OR EXCLUSIONS OR LIMITATIONS OF INCIDENTAL OR CONSEQUENTIAL DAMAGES, THE ABOVE LIMITATIONS OR EXCLUSIONS MAY NOT APPLY TO YOU.
8. THIS LIMITED WARRANTY GIVES YOU SPECIFIC LEGAL RIGHTS, AND YOU MAY ALSO HAVE OTHER RIGHTS WHICH VARY FROM STATE TO STATE.
9. Should you have any difficulties with the performance of this product during the warranty period, please call or visit our web site (www.clarion.com) for a listing of Authorized Warranty Service Centers in your area. You may also contact Clarion at the address listed below.

In USA:
 Clarion Corporation of America
 Attn: Customer Service Manager
 661 W. Redondo Beach Blvd.
 Gardena, CA. 90247-4201
 1-800-GO-CLARION
 (310)327-9100

In Canada:
 Clarion Canada, Inc.
 Warranty Service Center
 2239 Winston Park Drive
 Oakville, Ontario L6H 5R1
 (905)829-4600

Clarion Corporation of America
661 West Redondo Beach Blvd.
www.clarion.com

200503-CLHK-10 Rev1.0

Free Manuals Download Website

<http://myh66.com>

<http://usermanuals.us>

<http://www.somanuals.com>

<http://www.4manuals.cc>

<http://www.manual-lib.com>

<http://www.404manual.com>

<http://www.luxmanual.com>

<http://aubethermostatmanual.com>

Golf course search by state

<http://golfingnear.com>

Email search by domain

<http://emailbydomain.com>

Auto manuals search

<http://auto.somanuals.com>

TV manuals search

<http://tv.somanuals.com>