

# Clarion®

Owner's manual  
Mode d'emploi  
Manual de instrucciones  
使用说明书

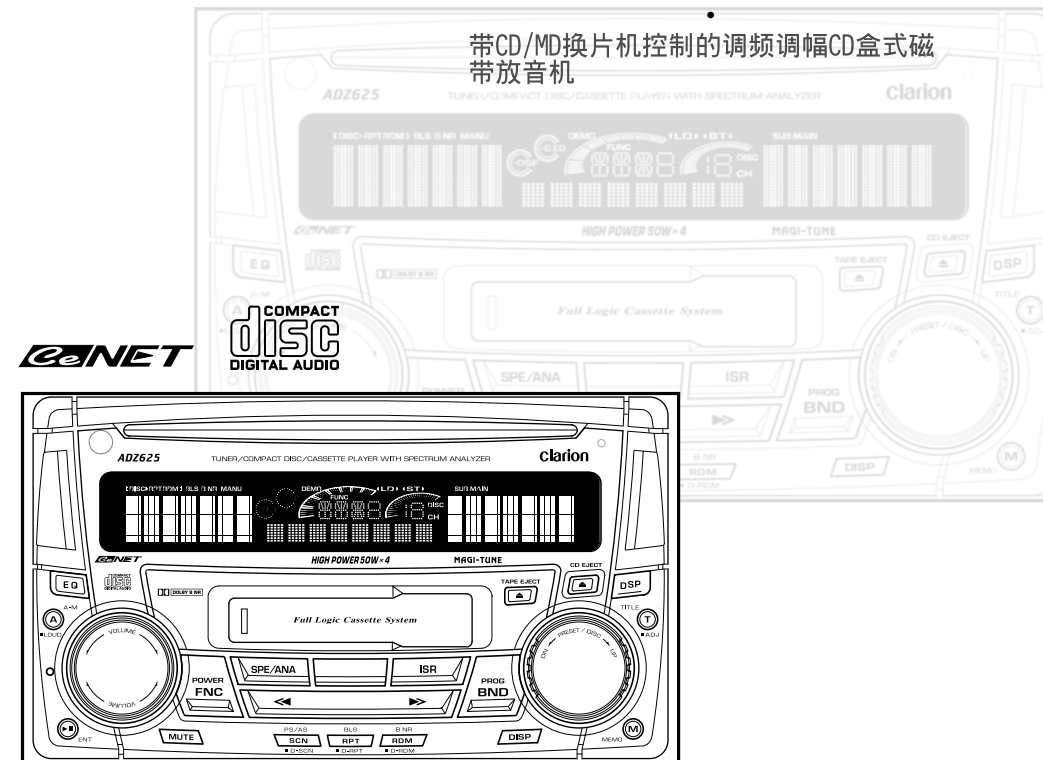
## ADZ625

AM/FM CD/CASSETTE PLAYER WITH CD/MD  
CHANGER CONTROL

RADIO CASSETTE AM/FM-LECTEUR CD AVEC  
COMMANDE DE CHANGEUR CD/MD

RADIO DE AM/FM Y REPRODUCTOR DE  
CD/CASETES CON CONTROL DE  
CAMBIADOR DE CD/MD

带CD/MD换片机控制的调频调幅CD盒式磁  
带收音机



### Clarion Co., Ltd.

All Rights Reserved. Copyright © 2001: Clarion Co., Ltd.  
Printed in China / Imprimé en Chine / Inpreso en China / 中国印刷

PE-2495B  
280-7740-00

2001/11(A•C)

Thank you for purchasing the **Clarion** Product.

- \* Please read this owner's manual in its entirety before operating this equipment.
- \* After reading this manual, be sure to keep it in a handy place (e.g., glove compartment).
- \* Check the contents of the enclosed warranty card and keep it carefully with this manual.
- \* This manual includes the operating procedures of the CD changer, MD changer and TV connected via the CeNET cable. The CD changer, MD changer and TV tuner have their own manuals, but no explanations for operating them are described.

# Contents

<b>1. FEATURES</b>	3
<b>2. PRECAUTIONS</b>	4
<b>3. CONTROLS</b>	5
<b>4. NOMENCLATURE</b>	6
Names of Buttons and their Functions	6
Major button operations when external equipment is connected to this unit	7
Display Items	8
<b>5. CAUTIONS ON HANDLING</b>	9
Handling Compact Discs	9
Handling Cassette Tapes	9
<b>6. REMOTE CONTROL</b>	10
Inserting the Batteries	10
Functions of Remote Control Unit Buttons	11
<b>7. OPERATIONS</b>	12
Basic Operations	12
Radio Operations	14
CD Operations	15
Tape Operations	17
DSP/EQ Operations	19
Operations Common to Each Mode	20
<b>8. OPERATIONS OF ACCESSORIES</b>	22
CD/MD Changer Operations	22
TV Operations	24
<b>9. IN CASE OF DIFFICULTY</b>	26
<b>10. ERROR DISPLAYS</b>	27
<b>11. SPECIFICATIONS</b>	28

English

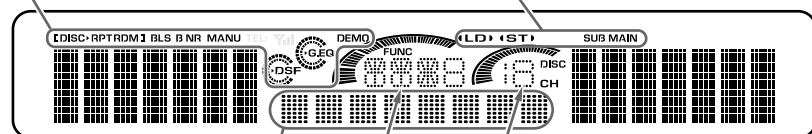
Français

Español

中文

- DISC : Disc indication
- RPT : Repeat indication
- RDM : Random indication
- BLS : BLS (Blank skip) indication
- B NR : Dolby NR (B NR) indication
- MANU : Manual indication
- DSF : DSF indication
- G.EQ : G.EQ indication
- DEMO : DEMO (SPE-ANA) indication

- LD : Loudness indication
- ST : Stereo indication
- SUB : SUB indication
- MAIN : MAIN indication



Preset channel indication (1 to 6)  
Disc number indication (1 to 12)

Function mode indication  
• The names of modes being selected, etc. are displayed.

Operation status indication  
• The frequency, PTY, play time, CT(clock), etc. are displayed.

# 1. FEATURES

- 8-Times Oversampling Digital Filter and Dual 1-Bit D/A Converters
- Zero-Bit Detector™ Mute Circuit
- Full Logec Tape Transport with True Function / Auto Reverse with Dual Azimuth Adjust
- Dolby® B Noise Reduction
- **MAGI-TUNE®** FM Reception System
- Controller for Optional TV Tuner Modules
- Capability to Read CD TEXT Data from Clarion Compatible CD Changer
- Built-in 5 Pre-Programmed Digital Sound Field Memories & 4 Pre-Programmed Graphic Equalizer Memories
- CeNET with Balanced Audio Line Transmission and Dynamic Noise Canceling
- High Visibility Multi-Color FL Display
- 4-Channel RCA Line Level Output with Fader Control

# 2. PRECAUTIONS

1. When the inside of the car is very cold and the player is used soon after switching on the heater, moisture may form on the disc or the optical parts of the player and proper playback may not be possible. If moisture forms on the disc, wipe it off with a soft cloth. If moisture forms on the optical parts of the player, do not use the player for about one hour. The condensation will disappear naturally allowing normal operation.
2. Driving on extremely bumpy roads which cause severe vibration may cause the sound to skip.
3. This unit uses a precision mechanism. Even in the event that trouble arises, never open the case, disassemble the unit, or lubricate the rotating parts.

This equipment has been tested and found to comply with the limits for a Class B digital device, pursuant to Part 15 of the FCC Rules.

These limits are designed to provide reasonable protection against harmful interference in a residential installation.

This equipment generates, uses, and can radiate radio frequency energy and, if not installed and used in accordance with the instructions, may cause harmful interference to radio communications. However, there is no guarantee that interference will not occur in a particular installation.

If this equipment does cause harmful interference to radio or television reception, which can be determined by turning the equipment off and on, the user is encouraged to consult the dealer or an experienced radio/TV technician for help.

## CAUTION

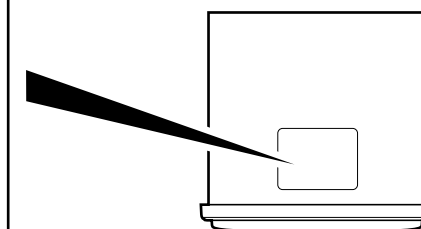
**USE OF CONTROLS, ADJUSTMENTS, OR PERFORMANCE OF PROCEDURES OTHER THAN THOSE SPECIFIED HEREIN, MAY RESULT IN HAZARDOUS RADIATION EXPOSURE.**

**THE COMPACT DISC PLAYER SHOULD NOT BE ADJUSTED OR REPAIRED BY ANYONE EXCEPT PROPERLY QUALIFIED SERVICE PERSONNEL.**

**CHANGES OR MODIFICATIONS NOT EXPRESSLY APPROVED BY THE MANUFACTURER FOR COMPLIANCE COULD VOID THE USER'S AUTHORITY TO OPERATE THE EQUIPMENT.**

### INFORMATION FOR USERS:

**CHANGES OR MODIFICATIONS TO THIS PRODUCT NOT APPROVED BY THE MANUFACTURER WILL VOID THE WARRANTY AND WILL VIOLATE FCC APPROVAL.**

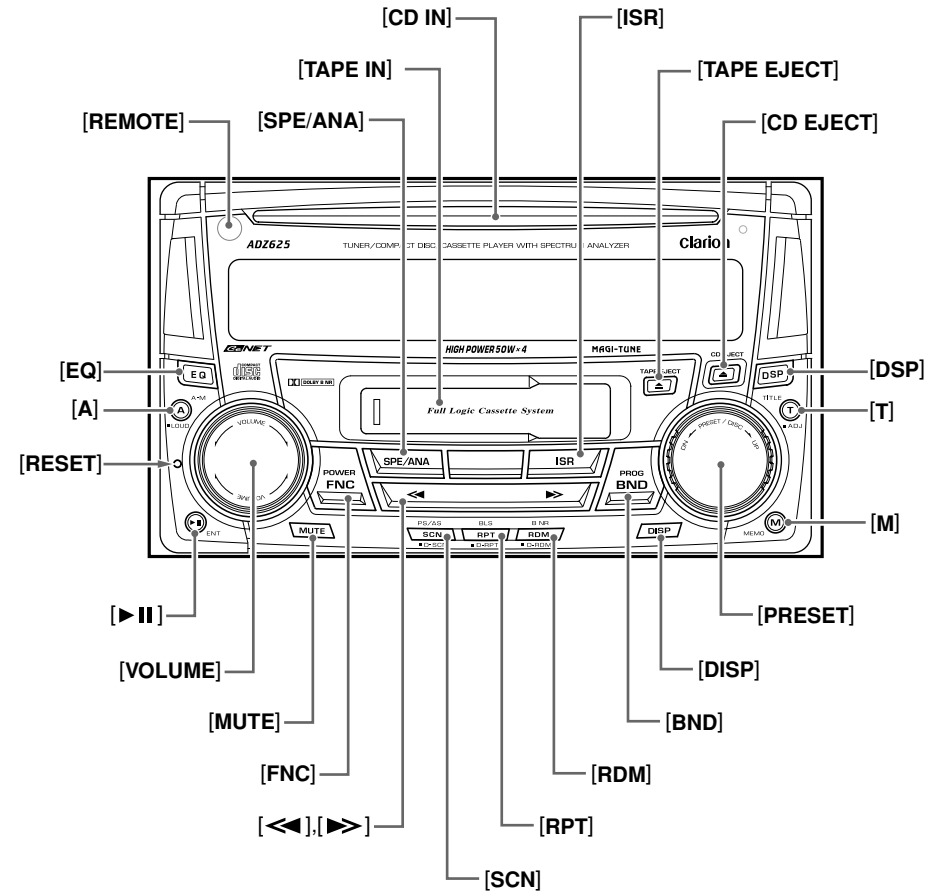


Bottom View of Source Unit

**Be sure to unfold and read the next page.**  
 Veuillez déplier et vous référer à la page suivante.  
 Cerciórese de desplegar y de leer la página siguiente.  
 请务必打开并阅读下一页。

### 3. CONTROLS/LES COMMANDES/CONTROLES/控制

Source unit / Appareil pilote / Unidad fuente / 主机



Note: Be sure to unfold this page and refer to the front diagrams as you read each chapter.  
Remarque: Veuillez déplier cette page et vous référer aux schémas quand vous lisez chaque chapitre.  
Nota: Cuando lea los capítulos, despliegue esta página y consulte los diagramas.  
注意: 阅读各章时请务必展开本页并参照前视图。

### 4. NOMENCLATURE

Note:  
• Be sure to read this chapter referring to the front diagrams of chapter "3. CONTROLS" on page 5 (unfold).

#### Names of the Buttons and their Functions

- [REMOTE]**  
• Receiver for remote control unit.
- [SPE/ANA] button**  
• Press to change the spectrum analyzer display.

- [TAPE IN]**  
• Cassette tape insertion slot.
- [CD IN]**  
• CD insertion slot.

- [ISR] button**  
• Recalls ISR radio station in memory.  
Press and hold for 2 seconds or longer: Stores current station into ISR memory (radio mode only).
- [TAPE EJECT] button**  
• Ejecting a tape.
- [CD EJECT] button**  
• Ejecting a CD.

- [DSP] button**  
• Press to select the DSP menu, and to set DSP effects to ON/OFF.
- [T] button**  
• Use the button to input a title in the CD mode.  
• Press and hold the button for 1 second or longer to enter the adjust mode.

- [M] button**  
• Use to change and store items in preset memory.
- [PRESET] knob**  
• Stores a station into memory or recall it directly while in the radio mode.  
• In DSP/EQ mode, use to select menu.  
• In adjust modes, use to select items for adjustment.

- Note:**  
To operate [PRESET] knob:  
• Turn knob about 30 deg. (adjust item will change).  
• Release finger (knob will return to original position).  
• Turn knob again (adjust item will change).

- [DISP] button**  
• Switches the display indication (Main display, sub display, clock display).
- [BND] button**  
• Switches the band, or seek tuning or manual tuning while in the radio mode.  
• Plays a first track while in the CD mode.  
• In tape mode, changes the side played (direction of tape travel).

- [RDM] button**  
• Performs random play while in the CD mode.  
• Select Dolby noise reduction while in the tape mode.
- [RPT] button**  
• Plays repeatedly while in the CD mode.  
• In the tape mode, enables repeat play. When held depressed for one second or more, enables blank-skip mode.

- [<<>, >>>] buttons**  
• Selects a station while in the radio mode or selects a track when listening to a CD. These buttons are used to make various settings.
- [FNC] button**  
• Press the button to turn on the power.  
Press and hold the button for 1 second or longer to turn off the power.  
• Switches the operation mode among the radio mode, etc.

- [MUTE] button**  
• Turns mute on and off.
- [VOLUME] knob**  
• Adjust the volume by turning the knob clockwise or counterclockwise.  
• Use the knob to perform various settings.

- [SCN] button**  
• Performs preset scan while in the radio mode.  
When the button is pressed and held, auto store is performed.  
• Performs scan play for 10 seconds for each track while in the CD mode.
- [<<>, >>>] buttons**  
• Selects a station while in the radio mode or selects a track when listening to a CD. These buttons are used to make various settings.

- [FNC] button**  
• Press the button to turn on the power.  
Press and hold the button for 1 second or longer to turn off the power.  
• Switches the operation mode among the radio mode, etc.
- [MUTE] button**  
• Turns mute on and off.

- [VOLUME] knob**  
• Adjust the volume by turning the knob clockwise or counterclockwise.  
• Use the knob to perform various settings.
- [DISP] button**  
• Switches the display indication (Main display, sub display, clock display).
- [BND] button**  
• Switches the band, or seek tuning or manual tuning while in the radio mode.  
• Plays a first track while in the CD mode.  
• In tape mode, changes the side played (direction of tape travel).

- [RDM] button**  
• Performs random play while in the CD mode.  
• Select Dolby noise reduction while in the tape mode.
- [RPT] button**  
• Plays repeatedly while in the CD mode.  
• In the tape mode, enables repeat play. When held depressed for one second or more, enables blank-skip mode.

- [SCN] button**  
• Performs preset scan while in the radio mode.  
When the button is pressed and held, auto store is performed.  
• Performs scan play for 10 seconds for each track while in the CD mode.
- [<<>, >>>] buttons**  
• Selects a station while in the radio mode or selects a track when listening to a CD. These buttons are used to make various settings.

- [FNC] button**  
• Press the button to turn on the power.  
Press and hold the button for 1 second or longer to turn off the power.  
• Switches the operation mode among the radio mode, etc.
- [MUTE] button**  
• Turns mute on and off.

- [VOLUME] knob**  
• Adjust the volume by turning the knob clockwise or counterclockwise.  
• Use the knob to perform various settings.
- [DISP] button**  
• Switches the display indication (Main display, sub display, clock display).
- [BND] button**  
• Switches the band, or seek tuning or manual tuning while in the radio mode.  
• Plays a first track while in the CD mode.  
• In tape mode, changes the side played (direction of tape travel).

- [RDM] button**  
• Performs random play while in the CD mode.  
• Select Dolby noise reduction while in the tape mode.
- [RPT] button**  
• Plays repeatedly while in the CD mode.  
• In the tape mode, enables repeat play. When held depressed for one second or more, enables blank-skip mode.

- [▶▶] button**  
• Plays or pauses a CD while in the CD mode.  
• After selecting various setting options, press this button to confirm the settings.
- [RESET] button**  
• Press under the following conditions.  
1. Nothing happens when buttons are pressed.  
2. Display is not accurate.

- [A] button**  
• Press and hold the button for 1 second or longer to turn the loudness on or off.  
• Use the button to switch to the audio mode (bass/mid/treble, balance/fader adjustment)
- [EQ] button**  
• Press to select EQ menu or and to set EQ effects to ON/OFF.

- [SCN] button**  
• Performs scan play for 10 seconds for each track. Disc scan play is performed when the button is pressed and held.
- [RPT] button**  
• Performs repeat play. When this button is pressed and held, disc repeat play is performed.
- [RDM] button**  
• Performs random play. Also performs disc random play when the button is pressed and held.

- [PRESET] knob**  
• Use to select the number of the disc loaded, and to start play.
- [DISP] button**  
• Switches the disc titles or track titles while in the MD changer mode.  
• Switches the user titles or track titles etc. while in the CD changer mode.

- [PRESET] knob**  
• Stores a station into memory or recall it directly.
- [<<>, >>>] buttons**  
• Selects a station.
- [BND] button**  
• Switches the band, or seek tuning or manual tuning.

- [SCN] button**  
• Performs scan play for 10 seconds for each track. Disc scan play is performed when the button is pressed and held.
- [RPT] button**  
• Performs repeat play. When this button is pressed and held, disc repeat play is performed.
- [RDM] button**  
• Performs random play. Also performs disc random play when the button is pressed and held.

- [PRESET] knob**  
• Stores a station into memory or recall it directly.
- [<<>, >>>] buttons**  
• Selects a station.
- [BND] button**  
• Switches the band, or seek tuning or manual tuning.

- [SCN] button**  
• Performs scan play for 10 seconds for each track. Disc scan play is performed when the button is pressed and held.
- [RPT] button**  
• Performs repeat play. When this button is pressed and held, disc repeat play is performed.
- [RDM] button**  
• Performs random play. Also performs disc random play when the button is pressed and held.

- [PRESET] knob**  
• Stores a station into memory or recall it directly.
- [<<>, >>>] buttons**  
• Selects a station.
- [BND] button**  
• Switches the band, or seek tuning or manual tuning.

- [SCN] button**  
• Performs scan play for 10 seconds for each track. Disc scan play is performed when the button is pressed and held.
- [RPT] button**  
• Performs repeat play. When this button is pressed and held, disc repeat play is performed.
- [RDM] button**  
• Performs random play. Also performs disc random play when the button is pressed and held.

- [PRESET] knob**  
• Stores a station into memory or recall it directly.
- [<<>, >>>] buttons**  
• Selects a station.
- [BND] button**  
• Switches the band, or seek tuning or manual tuning.

English

English


Français

Español

中文

# 5. CAUTIONS ON HANDLING

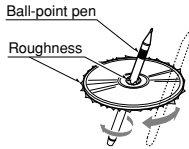
## Handling Compact Discs

Use only compact discs bearing the  mark.

Do not play heart-shaped, octagonal, or other specially shaped compact discs.

### Handling

- New discs may have some roughness around the edges. If such discs are used, the player may not work or the sound may skip. Use a ball-point pen or the like to remove any roughness from the edge of the disc.



- Never stick labels on the surface of the compact disc or mark the surface with a pencil or pen.
- Never play a compact disc with any cellophane tape or other glue on it or with peeling off marks. If you try to play such a compact disc, you may not be able to get it back out of the CD player or it may damage the CD player.
- Do not use compact discs that have large scratches, are misshapen, cracked, etc. Use of such discs may cause misoperation or damage.
- To remove a compact disc from its storage case, press down on the center of the case and lift the disc out, holding it carefully by the edges.

- Do not use commercially available CD protection sheets or discs equipped with stabilizers, etc. These may damage the disc or cause breakdown of the internal mechanism.

### Storage

- Do not expose compact discs to direct sunlight or any heat source.
- Do not expose compact discs to excess humidity or dust.
- Do not expose compact discs to direct heat from heaters.

### Cleaning

- To remove fingermarks and dust, use a soft cloth and wipe in a straight line from the center of the compact disc to the circumference.
- Do not use any solvents, such as commercially available cleaners, anti-static spray or thinner to clean compact discs.
- After using special compact disc cleaner, let the compact disc dry off well before playing it.

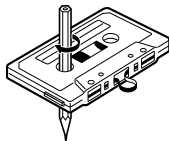
## Handling Cassette Tapes

Using any of the following types of cassette tapes can cause malfunctions.

- Cassette tapes with low recording levels
- Cassette tapes in which the unrecorded section between songs is shorter than 4 seconds
- Cassette tapes with noise or the like recorded between songs
- Cassette tapes on which there are long unrecorded sections in the middle of a song

### Handling precautions

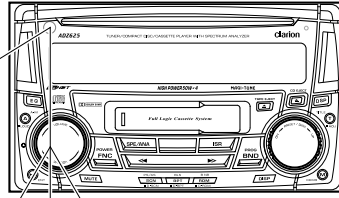
- Slack in the tape can cause malfunctions. In particular for prerecorded cassette tapes and 90-minute tapes, take up any slack in the tape before inserting it into the cassette player.



- Avoid using cassettes of 120 minutes or longer. (Such cassettes have extremely thin tape, so the tape can become stretched or cut.)
- Periodically play a cleaning cassette in the player to clean the head.
- Keep magnets, screwdrivers, and other iron and steel and magnetic items away from both cassette tapes and the tape head in the player.
- Do not oil the cassette mechanism.
- Do not use any cassette tapes with peeling labels or deformed cases. Such cassette tapes can cause breakdowns.
- When not using the player, always take the cassette out of the mechanism. Exposing a cassette to direct sunlight, extreme temperatures, or high humidity can damage the cassette.

# 6. REMOTE CONTROL

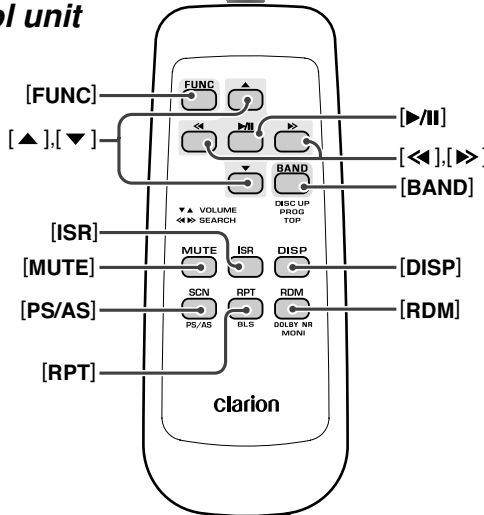
Receiver for remote control unit



Operating range: 30° in all directions

Signal transmitter

## Remote control unit



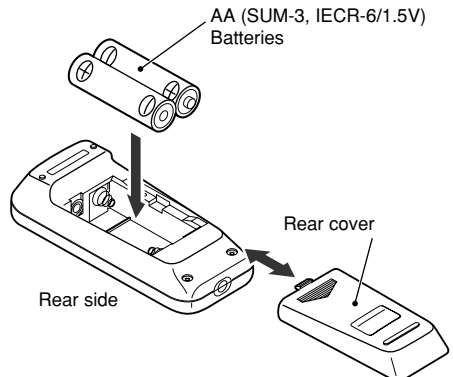
## Inserting the Batteries

1. Turn the remote control unit over, then slide the rear cover in the direction of the arrow.
2. Insert the AA (SUM-3, IECR-6/1.5V) batteries that came with the remote control unit facing in the directions shown in the figure, then close the rear cover.

### Notes:

Using batteries improperly can cause them to explode. Take note of the following points:

- When replacing batteries, replace both batteries with new ones.
- Do not short-circuit, disassemble or heat batteries.
- Do not dispose of batteries into fire or flames.
- Dispose of spent batteries properly.



# Functions of Remote Control Unit Buttons

Mode Button	Radio	Tape	CD	CD/MD changer	TV
[FUNC]	Switches among radio, CD, Tape, CD changer, MD changer and TV.				
[BAND]	Switches reception band.	Switches the side of the tape.	Plays the first track. Top play.	Moves the next disc in increasing order.	Switches reception band.
[▲], [▼]	Increases and decreases volume (in all modes).				
[◀], [▶]	Moves preset channels up and down.	Fast-forward and rewinds tape. APC fast-forward and rewind.	Moves tracks up and down. When pressed and held for 1 second: Fast-forward/fast-backward.		Moves preset channels up and down.
[▶  ]	No function.	Switches between playback and pause.	Switches between playback and pause.		No function.
[MUTE]	Turns mute on and off.				
[ISR]	Recalls ISR radio station in memory. Press and hold for 2 seconds or longer: Stores current station into ISR memory (radio mode only).				
[DISP]	Switches among main display, sub display and clock (CT) display.				
[SCN]	Preset scan. When pressed and held for 2 seconds: Auto store.	Fast-forward scan.	Scan play.	Scan play. When pressed and held for 1 second: Disc scan play.	Preset scan. When pressed and held for 2 seconds: Auto store.
[RPT]	No function	Repeat play. When pressed and held for 1 second: Blank tape skip function turns on and off.	Repeat play.	Repeat play. When pressed and held for 1 second: Disc repeat play.	No function.
[RDM]	No function	Select Dolby Noise Reduction mode.	Random play.	Random play. When pressed and held for 1 second: Disc random play.	Switches between TV and VTR.

\* Some of the corresponding buttons on the main unit and remote control unit have different functions.

# 7. OPERATIONS

## Basic Operations

**Note:** Be sure to read this chapter referring to the front diagrams of chapter "3. CONTROLS" on page 5 (unfold).

### ⚠ CAUTION

Be sure to lower the volume before switching off the unit power or the ignition key. The unit remembers its last volume setting. If you switch the power off with the volume up, when you switch the power back on, the sudden loud volume may hurt your hearing and damage the unit.

The clock is displayed when the ignition key is turned to the ACC (accessory) or IGN (ignition-on) position even when the unit power is off. In some cars, the clock may momentarily disappear when the ignition key is turned to the START position. The clock will reappear after the engine has started and the ignition key is released to the IGN (ignition-on) position.

### Turning on/off the power

#### Notes:

• Be careful about using this unit for a long time without running the engine. If you drain the car's battery too far, you may not be able to start the engine and this can reduce the service life of the battery.

#### • System check

This unit checks what external equipment is connected to the CeNET. The first time the ACC/Ignition is turned on (initialization), "SYSTEM" and "Push PWR" alternately blink in the display. Press the [FNC] button to start the system check. When complete, press the [FNC] button again to activate the unit then the unit appears CHECKING COMPLETE.

1. Press the [FNC] button.
2. The illumination and display on the unit light up. The unit automatically remembers its last operation mode and will automatically switch to display that mode.
3. Press and hold the [FNC] button for 1 second or longer to turn off the power for the unit.

### Selecting a mode

1. Press the [FNC] button to change the mode of operation.
2. Each time you press the [FNC] button, the mode of operation changes in the following order:

Radio mode → CD mode → Tape mode →  
CD changer mode → MD changer mode →  
TV mode → AUX mode → Radio mode...

\* External equipment not connected with CeNET is not displayed.

### Adjusting the volume

Turn the [VOLUME] knob clockwise to increase the volume, or turn the [VOLUME] knob counterclockwise to decrease the volume.

\* The volume level is from 0 (minimum) to 33 (maximum).

### Switching the display

Press the [DISP] button to select the desired display.

Each time you press the [DISP] button, the display switches in the following order:

Main display



Sub (title) display



Clock(CT) display



Main display

\* Once selected, the preferred display becomes the display default. When a function adjustment such as volume is made, the screen will momentarily switch to that function's display, then revert back to the preferred display several seconds after the adjustment.

\* When you have entered a title in a CD, it appears in the sub display. If you have not entered a title, "NO-TTL" appears in the title display instead. For information on how to enter a title, refer to the subsection "Entering titles" in the "Operations Common to Each Mode".

\* You can adjust the way of scrolling a title. For the details on it, refer to the subsection "Adjusting the way of scrolling" in the "Operations Common to Each Mode".



### Adjusting the bass

1. Press the [A] button and select "BASS".
2. Turn the [VOLUME] knob clockwise to emphasize the bass, or turn the [VOLUME] knob counterclockwise to attenuate the bass.
  - \* The factory default setting is "0". (Adjustment range: -6 to +6)
3. When the adjustment is complete, press the [A] button several times until the function mode is reached.

### Adjusting the treble

1. Press the [A] button and select "TREB".
2. Turn the [VOLUME] knob clockwise to emphasize the treble, or turn the [VOLUME] knob counterclockwise to attenuate the treble.
  - \* The factory default setting is "0". (Adjustment range: -6 to +6)
3. When the adjustment is complete, press the [A] button several times until the function mode is reached.

### Adjusting the balance

1. Press the [A] button and select "BAL".
2. Turn the [VOLUME] knob clockwise to emphasize the sound from the right speaker, or turn the [VOLUME] knob counterclockwise to emphasize the sound from the left speaker.
  - \* The factory default setting is "0". (Adjustment range: L13 to R13)
3. When the adjustment is complete, press the [A] button several times until the function mode is reached.

### Adjusting the fader

1. Press the [A] button and select "FAD".
2. Turn the [VOLUME] knob clockwise to emphasize the sound from the front speakers, or turn the [VOLUME] knob counterclockwise to emphasize the sound from the rear speakers.
  - \* The factory default setting is "0". (Adjustment range: F12 to R12)
3. When the adjustment is complete, press the [A] button several times until the function mode is reached.

### Turning on/off the loudness

The loudness effect emphasizes the bass and treble to create a natural sound tone. When you are listening to music at a low volume, it is recommended to use the loudness effect.

1. Press and hold the [A] button for 1 second or longer to turn on the loudness effect. When the loudness effect is turned on, "LOUD" lights in the display.
2. Press and hold the [A] button for 1 second or longer to turn off the loudness effect. "LOUD" goes off in the display.

## FM reception

For enhanced FM performance the **MAGI-TUNE**® tuner includes signal actuated stereo control and Multipath noise reduction circuits.

## Changing the reception area

This unit is initially set to USA frequency intervals of 10kHz for AM and 200kHz for FM. When using it outside the USA, the frequency reception range can be switched to the intervals below.

### ● Setting the reception area

1. Press the **[FNC]** button and select the radio mode (FM or AM).
2. While pressing the **[DISP]** button, each time you press and hold the **[SPE/ANA]** button for 2 seconds or longer, the reception area switches from inside the USA to outside the USA or from outside the USA to inside the USA.
  - \* Any station preset memories are lost when the reception area is changed.

## Listening to the radio

1. Press the **[FNC]** button and select the radio mode.
2. Press the **[BND]** button and select the radio band. Each time the button is pressed, the radio reception band changes in the following order:  
FM1 → FM2 → FM3 → AM → FM1...
3. Press the **[>>]** button or the **[<<]** button to tune in the desired station.

## Tuning

There are 3 types of tuning mode available, seek tuning, manual tuning and preset tuning.

## Seek tuning

1. Press the **[BND]** button and select the desired band (FM or AM).
  - \* If **"MANU"** is lit in the display, press and hold the **[BND]** button for 1 second or longer. **"MANU"** in the display goes off and seek tuning is now available.
2. Press the **[>>]** button or the **[<<]** button to automatically seek to the next station.  
When the **[>>]** button is pressed, the station is sought in the direction of higher frequencies; if the **[<<]** button is pressed, the station is sought in the direction of lower frequencies.

## Manual tuning

There are 2 ways available: Quick tuning and step tuning.

When you are in the step tuning mode, the frequency changes one step at a time. In quick tuning mode, you can quickly tune the desired frequency.

1. Press the **[BND]** button and select the desired band (FM or AM).

\* If **"MANU"** is not lit in the display, press and hold the **[BND]** button for 1 second or longer. **"MANU"** lights in the display and manual tuning is now available.

2. Tune into a station.

### ● Quick tuning:

Press and hold the **[>>>]** button or the **[<<<]** button for 1 second or longer to manually tune to the desired frequency.

### ● Step tuning:

Press the **[>>]** button or the **[<<]** button to manually tune one step at a time to the desired frequency.

## Storing a preset station

A total of 24 preset positions (6-FM1, 6-FM2, 6-FM3, 6-AM) exists to store individual radio stations in memory.

## Manual memory

1. Select the desired station with seek tuning, manual tuning or preset tuning.
2. Press the **[M]** button.  
**"CH"** is lit in the display.
3. Turn the **[PRESET]** knob either clockwise or counterclockwise to select the desired preset memory.
4. Press and hold the **[M]** button for 2 seconds or longer to store that station into preset memory.

## Auto store

Auto store selects up to 6 stations and automatically stores them into preset memory. If auto store cannot tune in all six stations, then it stores the strongest stations into memory and the other presets untouched.

1. Press the **[BND]** button and select the desired band (FM or AM).
2. Press and hold the **[SCN]** button for 2 seconds or longer. The stations with good reception are stored automatically to the preset memory.

### Recalling a preset station

Turn the [PRESET] knob either clockwise or counterclockwise to recall the stored radio frequency automatically.

1. Press the [BND] button and select the desired band (FM1, FM2, FM3 or AM).
2. Turn the [PRESET] knob either clockwise or counterclockwise to recall the stored station.

### Preset scan

Preset scan receives the stations stored in preset memory in order. This function is useful when searching for a desired station in memory.

1. Press the [SCN] button.
2. When a desired station is tuned in, press the [SCN] button again to continue receiving that station.

#### Note:

• Be careful not to press and hold the [SCN] button for 2 seconds or longer, otherwise the auto store function engages and the unit starts storing stations.

### Instant station recall (ISR)

Instant station recall is a special radio preset that instantly accesses a favorite radio station at a touch of a button. The ISR function even operates with the unit in other modes.

#### ● ISR memory

1. Select the station that you wish to store in ISR memory.
2. Press and hold the [ISR] button for 2 seconds or longer.


#### ● Recalling a station with ISR

In any mode, press the [ISR] button to turn on the radio function and tune the selected radio station. "ISR" appears in the display. Press the [ISR] button again to return to the previous mode.

### Loading a CD

Insert a CD into the center of the insertion slot with the label side facing up. The CD plays automatically after loading.

#### Notes:

- Never insert foreign objects into the CD insertion slot.
- When a CD is loaded in the unit, never try to insert another CD in this case.
- Discs not bearing the  mark and CD-ROMs cannot be played by this unit.
- Some CDs recorded in CD-R mode may not be usable.
- Even when recorded in CD-RW mode, some CDs not be usable.

### Listening to a CD already inserted

Press the [FNC] button to select the CD mode. Play starts automatically. If no CD is loaded in the unit, "NO DISC" appears in the display.

### Pausing play

1. Press the [▶||] button to pause play. "PAUSE" appears in the display.
2. To resume CD play, press the [▶||] button again.

### Displaying CD titles

This unit can display title data for user titles input with this unit.

Press the [DISP] button to display the title.

#### Notes:

- Titles of CD-text CDs cannot be displayed with this unit.
- If the CD playing is a CD-text CD or no user title has been input, "NO-TTL" appears in the display.

### Ejecting a CD

Press [CD EJECT] button to eject the CD. Take it out from the ejected position.

- \* If a 5" CD (12 cm) is left in the ejected position for 15 seconds, the CD is automatically reloaded (Auto reload).
- \* 3" CDs (8 cm) are not auto reloaded. Be sure to remove it when ejected.

#### Notes:

- If you force a CD into before auto reloading, this can damage the CD.
- \* The radio mode is selected automatically 4 seconds after the [CD EJECT] button is pressed.

### Selecting a track

#### ● Track-up

1. Press the [▶▶] button to move ahead to the beginning of the next track.
2. Each time you press the [▶▶] button, the track advances ahead to the beginning of the next track.

#### ● Track-down

1. Press the [◀◀] button to move back to the beginning of the current track.
2. Press the [◀◀] button twice to move to the beginning of the previous track.

### Fast-forward/fast-backward

#### ● Fast-forward

Press and hold the [▶▶] button for 1 second or longer.

#### ● Fast-backward

Press and hold the [◀◀] button for 1 second or longer.

### Top function

The top function resets the CD player to the first track of the disc. Press the [BND] button to play the first track (track No. 1) on the disc.

### Scan play

The scan play locates and plays the first 10 seconds of each track on a disc automatically. This function continues on the disc until it is canceled.

\* The scan play is useful when you want to select a desired track.

1. Press the [SCN] button to start track scanning. "T-SCAN" lights in the display.
2. To cancel the scan play, press the [SCN] button again. "T-SCAN" goes off from the display and the current track continues to play.

### Repeat play

The repeat play continuously plays the current track. This function continues automatically until it is canceled.

1. Press the [RPT] button. "T-REPEAT" lights in the display and the current track is repeated.
2. To cancel the repeat play, press the [RPT] button again. "T-REPEAT" goes off from the display and normal play resumes.

### Random play

The random play selects and plays individual tracks on a disc in no particular order. This function continues automatically until it is canceled.

1. Press the [RDM] button. "T-RANDOM" lights in the display, an individual track is selected randomly and play begins.
2. To cancel the random play, press the [RDM] button again. "T-RANDOM" goes off from the display and normal play resumes.

# Tape Operations

## Loading a tape

Load a tape into the cassette tape insertion slot. "LOADING" appears in the display and starts playing.

- \* When a metal or chrome bias (70 $\mu$  sec) tape is inserted, the metal bias setting is selected automatically.
- \* The cassette tape slot door shuts automatically after inserting or ejecting a tape ("Auto shut door function"). It protects the tape mechanism from any dust.

## Listening to a tape already inserted

Press the [FNC] button to select the tape mode. Play starts automatically. If no tape is loaded in the unit, "NO CASS" appears in the display.

## Pausing play

1. Press the [▶||] button to pause play. "PAUSE" appears in the display.
2. To resume tape play, press the [▶||] button again.

## Ejecting a tape

Press the [TAPE EJECT] button to eject a tape. Take it out from the ejected position.

- \* The radio mode is selected automatically 4 seconds after the [TAPE EJECT] button is pressed.

## Switching to the other side of the tape

Press the [BND] button to change tape direction and playback.

- \* The tape mechanism automatically reverses direction and engage playback at the end of the tape (auto reverse).

## Fast-forward/fast-backward

### ● Fast-forward

Press the [▶▶] button.

### ● Fast-backward

Press the [◀◀] button.

### ● Canceling FF/REW

Press the [▶||] button.

### ● Listening to another source while using FF or REW ("monitor mode")

To listen to the CD, CD/MD changer or AM/FM tuner while the mechanism searches, press the [FNC] button to select the desired mode. The mechanism will stop automatically when the end of the tape is reached.

#### Note:

- Use the [FNC] button and select the tape function to resume tape playback.

## APC (Auto Program Control) function

The APC function allows the tape to skip forward to the beginning of the next track or rewind to the start of the current track.

### ● Skipping forward to the next track ("APC-FF")

During tape playback, press the [▶▶] button twice to fast-forward to the next track. The next track stars playing.

### ● Skipping backward to the current track ("APC-REW")

During tape playback, press the [◀◀] button twice to rewind to the start of the current track. The current track plays from the beginning.

### ● Canceling FF/REW APC to resume playback

Press the [▶||] button.

### ● Listening to another source while using APC ("monitor mode")

To listen to the CD, CD/MD changer or AM/FM tuner while the mechanism searches, press the [FNC] button to select the desired mode. The mechanism will stop automatically when it finds the next track (in FF APC) or the start of the current track (in REW APC).

#### Note:

- Use the [FNC] button and select the tape function to resume tape playback.

## Dolby noise reduction system

The Dolby noise reduction system increases the volume level of high frequency sounds during recording and sets it back to their original level during play. This system reduces hissing noise which is typical of cassette tapes.

- \* Dolby noise reduction manufactured under license from Dolby Laboratories Licensing Corporation. Dolby and the double-D symbol are trademarks of Dolby Laboratories Licensing Corporation.

Press the [RDM] button to select Dolby noise reduction. "B NR" lights in the display. Each time you press the [RDM] button, the Dolby toggles between B NR and OFF.

### **Intro tape scan play**

The intro tape scan allows the first 10 seconds of all the tracks on the tape to be played. This function continues on the tape until it is canceled.

1. Press the **[SCN]** button to start Intro tape scan. "SCAN" lights in the display.
2. To cancel the intro tape scan, press the **[SCN]** button again. "SCAN" goes off from the display and the current track continues to play.
  - \* When the end of the tape is reached during the intro tape scan, the tape mechanism automatically reverses direction and continues the intro tape scan.
  - \* If you select another mode during the intro tape scan, the mechanism automatically makes the intro tape scan stop when it finds the next track (APC function).

### **Tape repeat play**

The tape repeat continuously plays the current track. This function continues automatically until it is canceled.

1. Press the **[RPT]** button. "REPEAT" lights in the display and the current track is repeated.
2. To cancel the repeat play, press the **[RPT]** button again. "REPEAT" goes off from the display and normal play resumes.

### **Blank tape skip**

The blank tape skip allows you to skip blank sections of tape that are over 12 seconds long.

1. Press and hold the **[RPT]** button for 1 second or longer. "BLS" lights in the display and the mechanism fastforward to the next track selection.
2. To cancel the blank tape skip, press and hold the **[RPT]** button again. "BLS" goes off and normal play resumes.

#### **Notes:**

*The APC, intro tape scan, tape repeat and blank skip may not work properly with tapes of the following qualities:*

- Tapes on which the recording level is too low.
- Tapes on which there is much noise between selections.
- Tapes on which there are long pauses in the middle of selections.
- Tapes on which there are less than 4 seconds of blank space between selections.

# DSP/EQ Operations

## Select DSP Menu

About DSP functions:

The Digital Sound Processor use digital signal processing to allow the creation of simulated audio environments inside your car, without degradation of the sound.

1. Press the **[DSP]** button. The DSF indicator will flash.
2. Turn the **[PRESET]** knob either clockwise or counterclockwise to select the DSP menu.

### ● DSP menus

**STADIUM** : Large stadium without roof or walls.

**HALL** : Large concert hall.

**CLUB** : Club with strong bass.

**CHURCH** : Church with a vaulted ceiling.

**L-ROOM** : Listening room in a home.

3. Press the **[DSP]** button to return to the original mode.

## To set DSP effects to ON/OFF

Hold the **[DSP]** button depressed for 1 second or more.

Each time the **[DSP]** button is held depressed, the function alternates between ON and OFF.

When the DSP function is ON, the DSF indicator lights.

## To adjust EFFECTS

About sound effects:

“Effects” refers to the characteristic reverberations and echoes that occur when sound is bounced off walls or other surfaces. This unit allows the amount of echo or reverberation to be adjusted.

1. Press the **[DSP]** button. The DSF indicator flashes.
2. Turn the **[PRESET]** knob either clockwise or counterclockwise to select the desired DSP menu adjust item.
3. Hold the **[T]** button depressed for 1 second or more.
4. Turn the **[VOLUME]** knob either clockwise or counterclockwise to adjust the effect.
  - The amount of effect added can be adjusted within the range 0-70%.
5. Press the **[T]** button to return to the DSP menu. The selected DSP menu will appear.
6. Press the **[DSP]** button to return to the original mode.

## Selecting the EQ menu

About the EQ function:

The Equalizer allows correction and modification of the frequency response for selected frequency ranges, thus allowing the creation of your own unique sound.

1. Press the **[EQ]** button.
2. Turn the **[PRESET]** knob either clockwise or counterclockwise to select the desired EQ menu.

### ● EQ menus

**IMPACT** : Low and high frequencies emphasized.

**B-BOOST** : Low frequencies emphasized.

**ACOUSTIC** : Medium frequencies (vocals) emphasized.

**FLAT** : Original sound.

3. Press the **[EQ]** button to return to the original mode.

## Setting EQ effects to ON/OFF

Hold the **[EQ]** button depressed for 1 second or more.

Each time the **[EQ]** button is held depressed in this way, the function alternates between ON and OFF. When the EQ function is enabled (ON), the G.EQ indicator lights.

# Operation Common to Each Mode

## Setting the clock

1. Press and hold the [T] button for 1 second or longer to switch to the adjustment selection display.
2. Press the [▶▶] button or the [◀◀] button to select "CLOCK\_E".
3. Press the [▶||] button.
4. Press the [▶▶] button or the [◀◀] button to select the hour or the minute.
5. Turn the [VOLUME] knob either clockwise or counterclockwise to set the correct time.
  - \* The clock is displayed in 12-hour format.
6. Press the [▶||] button to store the time into memory.
7. Press the [T] button to return to the previous mode.

### Note:

• You cannot set the clock when it is displayed with only the ignition on. If you drain or remove the car's battery or take out this unit, the clock is reset. While setting the clock, if another button or operation is selected, the clock set mode is canceled.

## Switching the spectrum analyzer display patterns

You can select one out of 8 patterns or set it to off.

\* The factory default setting is "PATTERN 1".

Each time you press the [SPE/ANA] button, the spectrum analyzer display pattern changes in the following order:

PATTERN 1 → PATTERN 2 → PATTERN 3 →  
PATTERN 4 → PATTERN 5 → PATTERN 6 →  
PATTERN 7 → SCAN → OFF → PATTERN 1...

### Note:

The spectrum analyzer display is unavailable during these operations below;

- Seek tuning and auto store in radio mode.
- Mute or pause.
- When "NO DISC" or an error message appears in the display.

## Setting the sensitivity of the spectrum analyzer

\* The factory default setting is "MID".

1. Press and hold the [T] button for 1 second or longer to switch to the adjustment selection display.
2. Press the [▶▶] button or the [◀◀] button to select "ANA SENS".

3. Turn the [VOLUME] knob either clockwise or counterclockwise to set the sensitivity of the spectrum analyzer.

You can choose one of "LOW", "MID" or "HIGH" for the sensitivity of the spectrum analyzer.

4. Press the [T] button to return to the previous mode.

## Setting the speed of the spectrum analyzer display

\* The factory default setting is "HIGH".

1. Press and hold the [T] button for 1 second or longer to switch to the adjustment selection display.
2. Press the [▶▶] button or the [◀◀] button to select "ANA SPD".
3. Turn the [VOLUME] knob either clockwise or counterclockwise to set the speed of the spectrum analyzer display.
  - You can choose one of "LOW", "MID" or "HIGH" for the speed of the spectrum analyzer display.
4. Press the [T] button to return to the previous mode.

## Entering titles

Titles up to 10 characters long can be stored in memory and displayed for radio or TV stations and CDs. The numbers of titles that can be entered for each mode are as follows.

Mode	Number of titles
Radio mode	30 titles
CD mode	100 titles
TV mode	15 titles

CD changer mode	Number of titles
CDC655z connected	60 titles
CDC655Tz connected	100 titles
CDC1255z connected	50 titles

1. Press the [FNC] button to select the mode you want to enter a title. (radio, CD, CD changer or TV)
  - \* Titles cannot be entered for MDs with this unit.
2. Select and play a CD or a CD in the CD changer, or tune to an appropriate TV or radio station.
3. Press the [DISP] button and display the title.
4. Press the [T] button. "TITL" appears in the display and the cursor position flashes.



## Operation Common to Each Mode

5. Press the [▶▶] button or the [◀◀] button to move the cursor.
6. Press the [DISP] button to select a character. Each time you press the [DISP] button, the character changes in the following order:  
Capital letters → Small letters → Numbers/Symbols → Capital letters...
7. Turn the [VOLUME] knob either clockwise or counterclockwise to select the desired character. Pressing the [▶▶] button moves the cursor to the next character; pressing the [◀◀] button moves the cursor to the previous character.
8. Repeat steps 5 to 7 to enter up to 10 characters for the title.
9. Press and hold the [▶||] button for 2 seconds or longer to store the title into memory and cancel title input mode.

### Clearing titles

1. Play a CD or a CD in a CD changer, or tune a radio station or TV station that you want to clear the title for.
2. Press the [DISP] button and display the subtitle.
3. Press the [T] button. "TITL" appears in the display and the display switches to the title input display.
4. Press the [BND] button.
5. Press and hold the [▶||] button for 2 seconds or longer to clear the title and cancel the title input mode.

### Message display

When the unit is powered on or off, a message is displayed. The user can turn this message display on or off.

\* The factory default setting is "ON".

1. Press and hold the [T] button for 1 second or longer to switch to the adjustment selection display.
2. Press the [▶▶] button or the [◀◀] button to select "MESSAGE".
3. Turn the [VOLUME] knob clockwise to set the message display to "ON", or turn the [VOLUME] knob counterclockwise to set the message display to "OFF".
4. Press the [T] button to return to the previous mode.

### Clock function

#### ● Time matching

Regarding the "CLOCK INDICATION"...

The unit indicates the clock when the car engine is running (when ACC is ON).

The clock is of 12-hour indication.

1. Press the [T] button continuously (for about 1 second). "ANA\_SENS" is indicated.
2. Press the [◀◀] button or the [▶▶] button and select "CLOCK\_E".
3. Press the [▶||] button to indicate the clock. The clock indicates "AM 12:00" and turns to the "time setting" mode.
4. Press the [◀◀] button or the [▶▶] button and select "HOUR" or "MINUTE" may adjust items which are flashing.
5. Press the [▶▶] button or the [◀◀] button and match the time.
6. Press the [▶||] button.
7. Press the [T] button.

The unit returns to the original indication.

### Triggered audio mute for cellular telephones

This unit requires special wiring to mute the audio signal automatically when a cellular telephone rings in the car.

\* This function is not compatible with all cellular telephones. Contact your local authorized Clarion dealer for information on proper installation and compatibility.

### Adjusting the way of title scrolling

There are 3 ways for scrolling a title in the display. You can select the way you prefer.

\* The factory default setting is "AUTO".

1. Press and hold the [T] button for 1 second or longer to switch to the adjustment selection display.
2. Press the [▶▶] button or the [◀◀] button to select "SCROLL".
3. Turn the [VOLUME] knob to change the display. Each time the [VOLUME] knob is turned either clockwise or counterclockwise, the display changes between the 2 display methods available.
4. Press the [T] button to return to the previous mode.

# 8. OPERATIONS OF ACCESSORIES

## CD/MD Changer Operations

### CD/MD changer functions

When an optional CD/MD changer is connected through the CeNET cable, this unit controls all CD/MD changer functions. This unit can control a total of 2 changers (MD and/or CD).

Press the [FNC] button and select the CD(MD) changer mode to start play. If 2 CD(MD) changers are connected, press the [FNC] button to select the CD(MD) changer for play.

- \* If “**NO MAGA**” appears in the display, insert the magazine into the CD changer. “**CHECK**” appears in the display while the player loads (checks) the magazine.
- \* If “**NO DISC**” appears in the display, eject the magazine and insert discs into each slot. Then, reinsert the magazine back into the CD changer.
- \* If “**NO DISC**” appears in the display, load MDs into the MD changer.

### ⚠ CAUTION

**CD-ROM discs and CD-R discs cannot be played in the CD changer.**

### Pausing play

1. Press the [▶||] button to pause play. “**PAUSE**” appears in the display.
2. To resume play, press the [▶||] button again.

### Displaying CD titles

This unit can display title data for CD-text CDs and user titles input with this unit.

\* Title data for CD-text CDs can be displayed with this unit only when it is connected to CDC655Tz.

#### ● When connected to CDC655z or CDC1255z

Press the [DISP] button to display the title.

#### ● When connected to CDC655Tz

1. Press the [DISP] button to display the title.
2. Each time you press and hold the [DISP] button for 1 second or longer, the title display changes in the following order:  
User title (disc) → CD-text title (disc) → CD-text title (track) → user title (disc)...

#### Notes:

- \* If the CD playing is not a CD-text CD or no user title has been input, “**USER TTL**” appears in the display.

- \* If a CD-text CD is not input its disc title or a track title, “**TEXT[D]TTL**” or “**TEXT[T]TTL**” appears in the display.

### Switching disc titles and track titles (MD)

This unit can display disc titles and track titles already entered on MDs. Titles up to 128 characters long can be displayed by scrolling the titles.

- \* Titles cannot be entered for MDs with this unit.
1. Press the [DISP] button to display the title. The disc title or track title is displayed.
  2. Each time you press and hold the [DISP] button for 1 second or longer, the display toggles between the disc title and the track title.

#### Note:

- \* If an MD is not input its disc title or a track title, “**D TITLE**” or “**T TITLE**” appears in the display.

### Procedure to scroll a title

Set “**AUTO SCROLL**” to “**AUTO**” or “**OFF**”. (The factory default setting is “**AUTO**”. Refer to subsection “**Adjusting the way of title scrolling**” in section “**Operations Common to Each Mode**”.)

#### ● When set to “**AUTO**”

The title is automatically kept scrolling.

#### ● When set to “**OFF**”

Press the [T] button to scroll the title.

### Selecting a CD/MD

Turn the [PRESET] knob either clockwise or counterclockwise to select a CD or MD.

\* Use to select the number of the disc loaded, and to start play.

### Selecting a track

#### ● Track-up

1. Press the [▶>>] button to move ahead to the beginning of the next track.
2. Each time you press the [▶>>] button, the track advances ahead to the beginning of the next track.

#### ● Track-down

1. Press the [◀◀] button to move back to the beginning of the current track.
2. Press the [◀◀] button twice to move to the beginning of the previous track.

### Fast-forward/fast-backward

#### ● Fast-forward

Press and hold the [▶▶] button for 1 second or longer.

#### ● Fast-backward

Press and hold the [◀◀] button for 1 second or longer.

### Scan play

The scan play locates and plays the first 10 seconds of each track on a disc automatically. This function continues on the disc until it is cancelled.

\* The scan play is useful when you want to select a desired track.

1. Press the [SCN] button to start track scanning. "T-SCAN" lights in the display.
2. To cancel the scan play, press the [SCN] button again. "T-SCAN" goes off from the display and the current track continues to play.

### Disc scan play

The disc scan play locates and plays the first 10 seconds of the first track on each disc in the currently selected CD/MD changer. This function continues automatically until it is cancelled.

\* The disc scan play is useful when you want to select a desired CD/MD.

1. Press and hold the [SCN] button for 1 second or longer. "DISC▶" and "D-SCAN" light in the display and the disc scan play starts.
2. To cancel the disc scan play, press the [SCN] button again. "DISC▶" and "D-SCAN" go off from the display and the current track continues to play.

### Repeat play

The repeat play continuously plays the current track. This function continues automatically until it is cancelled.

1. Press the [RPT] button. "T-REPEAT" lights in the display and the current track is repeated.
2. To cancel the repeat play, press the [RPT] button again. "T-REPEAT" goes off from the display and normal play resumes.

### Disc repeat play

After all the tracks on the current disc have been played, the disc repeat play automatically replays the current disc over from the first track. This function continues automatically until it is cancelled.

1. Press and hold the [RPT] button for 1 second or longer. "DISC▶" and "D-REPEAT" light in the display and the disc repeat play starts.
2. To cancel the disc repeat play, press and hold the [RPT] button again. "DISC▶" and "D-REPEAT" go off from the display and normal play resumes on the current track.

### Random play

The random play selects and plays individual tracks on the disc in no particular order. This function continues automatically until it is cancelled.

1. Press the [RDM] button. "T-RANDOM" lights in the display and the random play begins.
2. To cancel the random play, press the [RDM] button again. "T-RANDOM" goes off from the display and normal play resumes.

### Disc random play

The disc random play selects and plays individual tracks or discs automatically in no particular order. This function continues automatically until it is cancelled.

1. Press and hold the [RDM] button for 1 second or longer. "DISC▶" and "D-RANDOM" light in the display and the disc random play starts.
2. To cancel the disc random play, press and hold the [RDM] button again. "DISC▶" and "D-RANDOM" go off from the display and normal play resumes from the current track.

## TV tuner functions

When an optional TV tuner is connected through the CeNET cable, this unit controls all TV tuner functions. To watch TV requires a TV tuner and monitor.

### Watching a TV

1. Press the **[FNC]** button and select the TV mode.
2. Press the **[BND]** button to select the desired TV band (TV1 or TV2). Each time the button is pressed, the input selection toggles between TV1 and TV2.
3. Press the **[◀◀]** button or the **[▶▶]** button to tune in the desired TV station.

### Watching a video

The TV tuner has a VTR input terminal to which 1 external device can be connected. Connect a 12 V video cassette player (VCP) or video cassette recorder (VCR) to the TV tuner input terminal.

1. Press the **[RDM]** button to select VTR.
2. To return to the TV broadcast, press the **[RDM]** button.

## Tuning

There are 3 types of tuning mode available, Seek tuning, manual tuning and preset tuning.

### Seek tuning

1. Press the **[BND]** button and select the desired TV band (TV1 or TV2).
  - \* If "MANU" is lit in the display, press and hold the **[BND]** button for 1 second or longer. "MANU" in the display goes off and seek tuning is now available.
2. Press the **[◀◀]** button or the **[▶▶]** button to automatically seek a station. Press the **[▶▶]** button to automatically tune up the frequency band to the next available TV station; press the **[◀◀]** button to automatically tune down.

## Manual tuning

There are 2 ways available: Quick tuning and step tuning.

When you are in the step tuning mode, the frequency changes one step at a time. In quick tuning mode, you can quickly tune the desired frequency.

1. Press the **[BND]** button and select the desired band (TV1 or TV2).
  - \* If "MANU" is not lit in the display, press and hold the **[BND]** button for 1 second or longer. "MANU" lights in the display and manual tuning is now available.
2. Tune into a station.

#### ● Quick tuning:

Press and hold the **[◀◀]** button or the **[▶▶]** button for 1 second or longer to tune in a station.

#### ● Step tuning:

Press the **[◀◀]** button or the **[▶▶]** button to manually tune in a station.

## Recalling a preset station

A total of 12 TV stations can be stored (6-TV1 and 6-TV2). This allows you to select your favorite TV stations and store them in memory for later recall.

1. Press **[BND]** button and select the desired TV band (TV1 or TV2).
2. To recall a stored TV station, turn the **[PRESET]** knob either clockwise or counterclockwise to select that station.

## Manual memory

1. Select the desired station with seek tuning, manual tuning or preset tuning.
2. Press the **[M]** button.

"CH" is lit in the display.
3. Turn the **[PRESET]** knob either clockwise or counterclockwise to select the desired preset memory.
4. Press and hold the **[M]** button for 2 seconds or longer to store that station into preset memory.

### Auto store

Auto store selects 6 TV stations automatically and stores each one into a preset memory.

If there are not 6 stations with good reception, stations previously stored in memory remain and only the strong stations are stored into memory.

1. Press the [BND] button and select the desired TV band (TV1 or TV2).
2. Press and hold the [SCN] button for 2 seconds or longer. The stations with good reception are stored automatically to the preset memory.

### Preset scan

Preset scan allows the user to view each preset position before it automatically advances to the next preset. This function is useful for searching for desired TV station in memory.

1. Press the [SCN] button.
2. When the desired station is found, press the [SCN] button again to remain tuned to that station.

#### Note:

- Do not press and hold the [SCN] button for 2 seconds or longer. Doing so will trigger the auto store function and start storing stations into memory.

### Setting the TV diver

You can change the reception setting for the TV antenna connected to the TV tuner.

1. Press and hold the [T] button for 1 second or longer to switch to the adjustment selection display.
2. Press the [◀] button or the [▶] button to select "TV DIVER".
3. Turn the [VOLUME] knob clockwise to set to "ON" or counterclockwise to set to "OFF".
  - **ON:**  
Sets reception emphasizing the visual.
  - **OFF:**  
Sets the diver setting to OFF.
4. Press the [T] button to return to the previous mode.

# 9. IN CASE OF DIFFICULTY

	Problem	Cause	Measure
General	Power does not turn on. (No sound is produced.)	Fuse is blown.	Replace with a fuse of the same amperage. If the fuse blows again, consult your store of purchase.
		Incorrect wiring.	Consult your store of purchase.
	No sound output when operating the unit with amplifiers or power antenna attached.	Power antenna lead is shorted to ground or excessive current is required for remote-on the amplifiers or power antenna.	<ol style="list-style-type: none"> <li>1. Turn the unit off.</li> <li>2. Remove all wires attached to the power antenna lead. Check each wire for a possible short to ground using an ohm meter.</li> <li>3. Turn the unit back on.</li> <li>4. Reconnect each amplifier remote wire to the power antenna lead one by one. If the amplifiers turn off before all wires are attached, use an external relay to provide remote-on voltage (excessive current required).</li> </ol>
Nothing happens when buttons are pressed.  Display is not accurate.	The microprocessor has malfunctioned due to noise, etc.	<p>Press the reset button with a thin rod.</p>	
CD	Compact disc cannot be loaded.	Another compact disc is already loaded.	Eject the compact disc before loading the new one.
	Sound skips or is noisy.	Compact disc is dirty.	Clean the compact disc with a soft cloth.
		Compact disc is heavily scratched or warped.	Replace with a compact disc with no scratches.
Sound is bad directly after power is turned on.	Water droplets may form on the internal lens when the car is parked in a humid place.	Let dry for about 1 hour with the power on.	
Tape	Sound quality is poor.	Playback head is dirty.	Use a cleaning tape, etc., to clean the head.
		[RDM] button is not pressed.	When listening to a tape recorded with Dolby NR, press [RDM] button and select B NR.

# 10. ERROR DISPLAYS

If an error occurs, one of the following displays is displayed.  
Take the measures described below to eliminate the problem.

	Error Display	Cause	Measure
CD	<b>ERROR 2</b>	A CD is caught inside the CD deck and is not ejected.	This is a failure of CD deck's mechanism and consult your store of purchase.
	<b>ERROR 3</b>	A CD cannot be played due to scratches, etc.	Replace with a non-scratched, non-warped-disc.
	<b>ERROR 6</b>	A CD is loaded upside-down inside the CD deck and does not play.	Eject the disc then reload it properly.
Tape	<b>ERROR 1</b>	Tape cannot be played due to defective tape such as cut tape.	Eject the tape then replace it with a new one.
	<b>ERROR 2</b>	Tape is caught and cannot be played.	Remove the caught or wound tape.
	<b>ERROR 4</b>	Tape mode cannot be detected.	This is a failure of tape mechanism and consult your store of purchase.
	<b>ERROR 8</b>	Tape is caught and cannot be ejected.	Eliminate the reason for which the tape is caught.
CD changer	<b>ERROR 2</b>	A CD inside the CD changer is not loaded.	This is a failure of CD changer's mechanism and consult your store of purchase.
	<b>ERROR 3</b>	A CD inside the CD changer cannot be played due to scratches, etc.	Replace with a non-scratched, non-warped disc.
	<b>ERROR 6</b>	A CD inside the CD changer cannot be played because it is loaded upside-down.	Eject the disc then reload it properly.
MD changer	<b>ERROR H</b>	Displayed when the temperature in the MD changer is too high and playback has been stopped automatically.	Lower the surrounding temperature and wait for a while to cool off MD changer.
	<b>ERROR 2</b>	An MD inside the MD changer is not loaded.	This is a failure of MD changer's mechanism and consult your store of purchase.
	<b>ERROR 3</b>	An MD inside the MD changer cannot be played due to scratches, etc.	Replace with a non-scratched, non-warped disc.
	<b>ERROR 6</b>	An MD inside the MD changer cannot be played because it is loaded upside-down.	Eject the disc then reload it properly.
		Displayed when a non-recorded MD is loaded in the MD changer.	Load a pre-recorded MD in the MD changer.

If an error display other than the ones described above appears, press the reset button. If the problem persists, turn off the power and consult your store of purchase.

# 11. SPECIFICATIONS

## FM Tuner

Frequency Range:  
87.9 MHz to 107.9 MHz

Usable Sensitivity:  
11 dBf

50dB Quieting Sensitivity:  
17 dBf

Alternate Channel Selectivity:  
75 dB

Stereo Separation (1 kHz):  
35 dB

Frequency Response ( $\pm 3$  dB):  
30 Hz to 15 kHz

## AM Tuner

Frequency Range:  
530 kHz to 1710 kHz

Usable Sensitivity:  
25  $\mu$ V

## CD Player

Frequency Response ( $\pm 1$  dB):  
10 Hz to 20 kHz

Signal to Noise Ratio (1 kHz):  
100 dB

Dynamic Range (1 kHz):  
95 dB

Harmonic Distortion:  
0.01%

## Tape Deck

Wow & Flutter (WRMS):  
0.06 %

Channel Separation (1 kHz):  
45 dB

Frequency Response ( $\pm 3$  dB)  
120 $\mu$ s (normal): 30 Hz to 18 kHz  
70 $\mu$ s (CrO<sub>2</sub> FeCr, Metal): 30 Hz to 20 kHz

Signal to Noise Ratio  
70 $\mu$ s (CrO<sub>2</sub> FeCr, Metal): 58 dB  
Dolby B NR: 67dB

## Audio

Maximum Power Output:  
200 W (50 W  $\times$  4 ch) (JEITA)

Continuous Average Power Output:  
16 W  $\times$  4, into 4  $\Omega$ , 20 Hz to 20 kHz, 1%THD

Bass Control Action (30 Hz):  
 $\pm 13$  dB

Treble Control Action (10 kHz):  
 $\pm 10$  dB

Line Output Level (CD 1kHz):  
1.8 V

## General

Power Supply Voltage:  
14.4 V DC (10.8 to 15.6 V allowable),  
negative ground

Current Consumption:  
Less than 15 A

Speaker Impedance:  
4  $\Omega$  (4  $\Omega$  to 8  $\Omega$  allowable)

Weight / Source unit:  
5.7 lb. (2.6 kg)

Weight / Remote control unit:  
1 oz. (30 g) (including battery)

Dimensions / Source unit:  
7" (Width)  $\times$  3-15/16" (Height)  $\times$  6-1/8" (Depth)  
[178 (W)  $\times$  100 (H)  $\times$  155 (D) mm]

Dimensions / Remote control unit:  
1-3/4" (Width)  $\times$  4-5/16" (Height)  $\times$  1-1/8" (Depth)  
[44 (W)  $\times$  110 (H)  $\times$  27 (D) mm]

## Notes:

- Specifications comply with JEITA Standards.
- Specifications and design are subject to change without notice for further improvement.



Nous vous remercions d'avoir acheté ce produit **Clarion**.

- \* Lisez tout le mode d'emploi avant de mettre l'appareil en service.
- \* Après avoir lu ce manuel, conservez-le dans un endroit pratique (par ex. dans la boîte à gants).
- \* Lisez le contenu de la carte de garantie jointe et conservez-la précieusement avec ce manuel.
- \* Ce manuel comprend les procédures de fonctionnement du changeur CD, du changeur MD et du tuner de télévision raccordés via le câble CeNET. Le changeur CD, le changeur MD et le tuner de télévision possèdent leur propre mode d'emploi, mais non les explications sur le fonctionnement.

## Table des matières

<b>1. CARACTÉRISTIQUES</b> .....	30
<b>2. PRÉCAUTIONS</b> .....	31
<b>3. LES COMMANDES</b> .....	5
<b>4. NOMENCLATURE DES TOUCHES</b> .....	32
Nom des Touches et Leurs Fonctions .....	32
Principales opérations des touches lorsqu'un appareil externe est raccordé à l'appareil .....	33
Rubriques d'affichage .....	34
<b>5. PRÉCAUTIONS DE MANIEMENT</b> .....	35
Manipulation des disques compacts .....	35
Manipulation des cassettes .....	35
<b>6. TÉLÉCOMMANDE</b> .....	36
Installation des piles .....	36
Fonctions des touches de la télécommande .....	37
<b>7. FONCTIONNEMENT</b> .....	38
Fonctionnement de base .....	38
Fonctionnement de la radio .....	40
Fonctionnement des disques compacts .....	42
Fonctionnement de la cassette .....	43
Fonctionnement DSP/EQ .....	45
Démarches communes à chaque mode .....	46
<b>8. FONCTIONNEMENT DES ACCESSOIRES</b> .....	48
Fonctionnement du changeur de CD/MD .....	48
Fonctionnement du téléviseur .....	50
<b>9. EN CAS DE DIFFICULTÉ</b> .....	52
<b>10. AFFICHAGE DES ERREURS</b> .....	53
<b>11. SPÉCIFICATIONS</b> .....	54

# 1. CARACTÉRISTIQUES

- Filtre numérique à suréchantillonnage octuple et doubles convertisseurs N/A 1 bit
- Circuit de silencieux Zero-Bit Detector™
- Entraînement de la bande entièrement logique avec fonction True/inversion automatique avec ajustement bidirectionnel de l'azimut
- Réduction de bruit Dolby® B
- Système de réception FM **MAGI-TUNE®**
- Contrôleur pour modules de tuner TV en option
- Capacité de lecture des données CD-TEXT des changeurs CD Clarion compatibles
- 5 mémoires de champ sonore numérique préprogrammées et 4 mémoires d'égaliseur graphique préprogrammées incorporées
- Liaison CeNET avec transmission de ligne symétrique et annulation dynamique du bruit
- Affichage FL multi-couleurs à haute visibilité
- Sortie de niveau de ligne RCA 4 canaux avec commande de balance avant-arrière

## 2. PRÉCAUTIONS

1. Lorsque l'habitacle de la voiture est très froid et que le lecteur est utilisé juste après la mise en route du chauffage, de l'humidité risque de se former sur le disque ou sur les pièces optiques du lecteur et d'empêcher le bon fonctionnement de la lecture. Si de l'humidité s'est formée sur le disque, essuyez le disque avec un chiffon doux. Si de l'humidité s'est formée sur les pièces optiques du lecteur, attendez environ une heure avant d'utiliser le lecteur pour que l'humidité puisse s'évaporer naturellement et permettre un fonctionnement normal.
2. Une conduite sur routes mauvaises provoquant de fortes vibrations peut entraîner des interruptions du son.
3. L'appareil utilise un mécanisme de précision. Même en cas d'anomalie, n'ouvrez jamais le coffret, ne démontez pas l'appareil et ne lubrifiez pas les pièces rotatives.

L'appareil a été testé et jugé conforme aux limites des appareils numériques de classe B, aux termes de la section 15 de la Réglementation FCC.

Ces limites ont pour but d'assurer une protection raisonnable contre les interférences parasites dans une installation résidentielle.

Cet appareil engendre, utilise et peut émettre une énergie radioélectrique et, s'il n'est pas installé et utilisé en stricte conformité avec ces instructions, il peut provoquer des interférences parasites dans les liaisons radiophoniques. Ceci ne garantit pas pour autant qu'une installation particulière n'émettra aucune interférence.

Si l'appareil engendre des interférences parasites avec la réception radio ou télévision, ce qui pourra être déterminé en éteignant puis en rallumant l'appareil, il est conseillé à l'utilisateur de consulter son magasin ou un technicien radio/télévision expérimenté.

MODEL	<input type="text"/>	clarion
<b>12V GROUND</b> <b>AM 530-1710kHz/FM 87.9-107.9MHz</b>		
<small>This device complies with Part 15 of the FCC Rules. Operation is subject to the following two conditions : (1) This device may not cause harmful interference, and (2) This device must accept any interference received, including interference that may cause undesired operation.</small>		
<small>This Production complies DHHS Rules 21 CFR subchapter J applicable at date of manufacture.</small>		
<small>CLARION CO., LTD. 50 KAMITODA, TODA-SHI, SAITAMA-KEN, JAPAN.</small>		
MANUFACTURED:		
<small>Dolby noise reduction manufactured under license from Dolby Laboratories Licensing Corporation. "DOLBY" and the double-D symbol are trademarks of Dolby Laboratories Licensing Corporation.</small>		
<b>051 722 877</b>		
<small>SERIAL No. PE: *****</small>		<small>388-111111 Clarion Co., Ltd. MADE IN *****</small>

### PRECAUTION

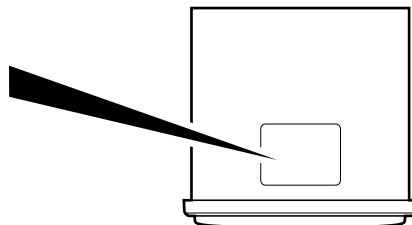
**L'UTILISATION DE COMMANDES ET L'EXÉCUTION DE RÉGLAGES OU D'OPÉRATIONS AUTRES QUE CEUX SPÉCIFIÉS DANS CETTE BROCHURE RISQUENT D'ENTRAÎNER UNE EXPOSITION À UN RAYONNEMENT DANGEREUX.**

**LES RÉGLAGES ET LES RÉPARATIONS DU LECTEUR DE DISQUES COMPACTS SERONT CONFIÉS EXCLUSIVEMENT À UN TECHNICIEN QUALIFIÉ.**

**LES ALTÉRATIONS OU MODIFICATIONS NON EXPRESSÉMENT APPROUVÉES PAR LE FABRICANT RISQUENT DE RETIRER À L'UTILISATEUR LE DROIT D'UTILISER L'APPAREIL.**

#### **INFORMATIONS AUX UTILISATEURS:**

**LES ALTÉRATIONS OU MODIFICATIONS APPORTÉES À L'APPAREIL ET NON EXPRESSÉMENT APPROUVÉES PAR LE FABRICANT ANNULENT LA GARANTIE ET PEUVENT CONSTITUER UNE INFRACTION À LA RÉGLEMENTATION FCC.**



Vue du dessous de l'appareil pilote

# 4. NOMENCLATURE DES TOUCHES

## Remarque:

- Lisez bien le chapitre relatif aux schémas de la façade, au chapitre "3. LES COMMANDES", à la page 5 (dépliante).

## Nom des Touches et Leurs Fonctions

### [REMOTE]

- Récepteur de télécommande

### Touche [SPE/ANA]

- Appuyez pour changer l'affichage d'analyseur de spectre.

### [TAPE IN]

- Fente d'insertion de la cassette

### [CD IN]

- Fente d'insertion de CD

### Touche [ISR]

- Rappel d'une station de radio ISR mémorisée. Mémorisation de la station en cours dans la mémoire ISR (mode radio uniquement) quand vous maintenez appuyé pendant 1 seconde.

### Touche [TAPE EJECT]

- Ejection d'une cassette

### Touche [CD EJECT]

- Ejection d'un disque

### Touche [DSP]

- Appuyez pour sélectionner le menu DSP et pour mettre les effets DSP en/hors service.

### Touche [T]

- Utilisez cette touche pour entrer un titre en mode CD.
- Maintenez la touche enfoncée pendant 1 seconde ou plus pour passer au mode de réglage.

### Touche [M]

- Pour changer et stocker les articles dans la mémoire de pré-réglage.

### Bouton [PRESET]

- Enregistre une station dans la mémoire ou rappelle la station directement en mode radio.
- En mode DSP/EQ, utilisez le menu de sélection.
- En mode de réglage, utilisez pour sélectionner les articles de réglage.

## Remarque:

Pour utiliser le bouton [PRESET]:

- Tournez le bouton d'environ 30 degrés (l'article de réglage changera).
- Retirez les doigts (le bouton reviendra à sa position originale).
- Tournez à nouveau le bouton (l'article de réglage changera).

### Touche [DISP]

- Commute les données de l'affichage (affichage principal, affichage de l'horloge).

### Touche [BND]

- Sélectionne la gamme, ou commute sur la syntonisation automatique ou à la syntonisation manuelle en mode radio.
- Lit la première plage en mode CD.
- En mode bande, change la face reproduite (sens de défilement de la bande).

### Touche [RDM]

- Effectue une lecture aléatoire en mode CD.
- Sélection du mode de réduction de bruit Dolby en mode cassette.

### Touche [RPT]

- Effectue une lecture répétée en mode CD.
- En mode bande, effectue une lecture répétée. Enfoncée pendant une seconde ou plus, valide le mode de saut de passage vierge.

### Touche [SCN]

- Effectue un balayage pré-réglé en mode radio. Lorsque vous maintenez la touche enfoncée, elle effectue une mémorisation automatique.
- Lit les 10 premières secondes de chaque plage en mode CD.

### Touches [◀], [▶]

- Sélectionne une station en mode radio ou sélectionne une plage pendant la lecture d'un CD. Ces touches servent également à effectuer différents réglages.

### Touche [FNC]

- Appuyez sur cette touche pour mettre l'appareil sous tension. Maintenez la touche enfoncée pendant 1 seconde ou plus pour mettre l'appareil hors tension.
- Commute le mode de fonctionnement entre le mode radio, etc.

### Touche [MUTE]

- Mise en et hors service du silencieux.

### Bouton [VOLUME]

- Réglez le volume en tournant le bouton dans le sens des aiguilles d'une montre ou dans le sens inverse.
- Utilisez ce bouton pour effectuer différents réglages.

### **Touche [▶||]**

- Lit le CD ou effectue une pause en mode CD.
- Après sélection des diverses options de réglage, appuyez sur cette touche pour vérifier vos réglages.

### **Touche [RESET]**

- Appuyez dans les conditions suivantes:
  1. Rien ne se passe quand on appuie sur les touches.
  2. L'affichage est incorrect.

### **Touche [A]**

- Maintenez la touche enfoncée pendant 1 seconde ou plus pour mettre la compensation physiologique en ou hors service.
- Utilisez cette touche pour passer au mode audio (réglage des graves/médiums/aigus, de balance/fader).

### **Touche [EQ]**

- Appuyez pour sélectionner le menu EQ et/ou pour mettre les effets EQ en/hors service.

## ***Principales opérations des touches lorsqu'un appareil externe est raccordé à l'appareil***

### **● Si l'appareil raccordé est un changeur de CD/MD**

- \* Pour les détails, voyez la section "**Fonctionnement du changeur de CD/MD**".

#### **Touche [SCN]**

- Lit les 10 premières secondes de chaque plage. Effectue un balayage des disques si vous maintenez la touche enfoncée.

#### **Touche [RPT]**

- Effectue une lecture répétée. Effectue une lecture répétée des disques si vous maintenez la touche enfoncée.

#### **Touche [RDM]**

- Effectue une lecture aléatoire. Effectue également une lecture aléatoire de tous les disques si vous maintenez la touche enfoncée.

#### **Bouton [PRESET]**

- Pour sélectionner le numéro du disque chargé et lancer sa lecture.

#### **Touche [DISP]**

- Si vous maintenez la touche enfoncée, commute sur les titres de disque ou les titres de plage en mode changeur de MD.
- Si vous maintenez la touche enfoncée, commute sur les titres utilisateur ou les titres de plage, etc. en mode changeur de CD.

### **Touche [T]**

- Utilisez cette touche pour entrer un titre en mode changeur de CD.
- Utilisez cette touche pour faire défiler le titre pendant la lecture d'un CD-texte ou la lecture d'un changeur de MD en mode changeur de CD.

### **Touche [▶||]**

- Lit le CD ou le MD ou effectue une pause.

### **Touches [◀◀], [▶▶]**

- Sélectionne une plage pendant la lecture d'un disque.

### **Touche [BND]**

- Lit la première plage.

### **● Si l'appareil raccordé est un téléviseur**

- \* Pour les détails, voyez la section "**Fonctionnement du téléviseur**".

#### **Touche [SCN]**

- Effectue un balayage préréglé en mode téléviseur.  
Si vous maintenez la touche enfoncée, effectue une mémorisation automatique.

#### **Bouton [PRESET]**

- Enregistre une station dans la mémoire ou rappelle la station directement.

#### **Touches [◀◀], [▶▶]**

- Sélectionne une station.

#### **Touche [BND]**

- Sélectionne la gamme.
- Si vous maintenez la touche enfoncée, elle commute sur la syntonisation automatique ou la syntonisation manuelle.

# Rubriques d'affichage

Français

**DISC** : Indication de disque

**RPT** : Indication de répétition

**RDM** : Indication de lecture aléatoire

**BLS** : Indication de saut des intervalles vierges (BLS)

**B NR** : Indication de réduction de bruit Dolby (B NR)

**MANU** : Indication de fonctionnement manuel

**DSF** : Indication DSF

**G.EQ** : Indication G.EQ

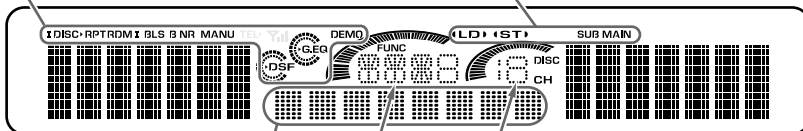
**DEMO** : Indication DEMO (SPE-ANA)

**(LD)** : Indication de compensation physiologique

**(ST)** : Indication stéréo

**SUB** : Indication SUB (auxiliaire)

**MAIN** : Indication MAIN (principal)




Indication de canal pré-réglé (1 à 6)  
Indication de numéro de disque (1 à 12)

Indication du mode de fonctionnement  
• Le nom des modes sélectionnés, etc. s'affiche.

Indication d'état de fonctionnement  
• La fréquence, le PTY, le temps de lecture, l'horloge (CT), etc. s'affichent.

# 5. PRÉCAUTIONS DE MANIEMENT

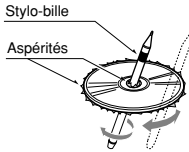
## Manipulation des disques compacts

Utilisez uniquement des disques compacts portant le label .

N'utilisez pas de disques en forme de cœur, octogonale ni des disques compacts d'autres formes.

### Manipulation

- Les disques compacts neufs peuvent présenter certaines aspérités sur les bords. Si vous utilisez ce genre de disque, le lecteur risque de ne pas fonctionner ou le son de sauter. Supprimez les aspérités sur le pourtour du disque à l'aide d'un stylo-bille par exemple
- Ne collez jamais d'étiquettes sur la surface du disque compact et n'écrivez pas sur la surface du disque compact avec un stylo ou un crayon.
- Ne lisez jamais un disque compact ayant du ruban adhésif ou de la colle sur sa surface ou des marques qui se décollent. Si vous lisez ce genre de disque, vous risquez de ne pas pouvoir les sortir du lecteur CD ou d'endommager le lecteur CD.
- N'utilisez pas de disques compacts fortement rayés, gondolés ou fendillés, etc. Cela provoquerait des anomalies de fonctionnement ou des dommages.
- Pour sortir le disque compact de son étui de rangement, appuyez sur le centre de l'étui et soulevez le disque en le tenant délicatement par les bords.



- N'utilisez pas de feuilles de protection de CD en vente dans le commerce ni de disques dotés de stabilisateurs, etc. Ils risquent d'endommager le disque ou de provoquer une panne du mécanisme interne.

### Rangement

- N'exposez pas les disques compacts en plein soleil ni à une source de chaleur.
- N'exposez pas les disques compacts à une humidité ou une poussière excessives.
- N'exposez pas les disques compacts directement à la chaleur d'un appareil de chauffage.

### Nettoyage

- Pour enlever les marques de doigts ou la saleté, essuyez le disque en ligne droite avec un chiffon sec, en procédant du centre du disque vers la périphérie.
- N'utilisez aucun type de solvant, par exemple des produits de nettoyage, vaporisateurs anti-électricité statique ou diluant vendus dans le commerce, pour nettoyer les disques compacts.
- Après avoir utilisé le nettoyeur de disque compact spécial, laissez le disque sécher complètement avant de l'utiliser.

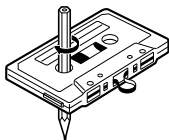
## Manipulation des cassettes

Les types de cassette suivants risquent de provoquer des anomalies de fonctionnement.

- Cassettes à faible niveau d'enregistrement
- Cassettes sur lesquelles les sections non enregistrées entre les plages sont inférieures à 4 secondes
- Cassettes renfermant du bruit ou autres parasites enregistrés entre les plages
- Cassettes renfermant de longs passages non enregistrés au milieu d'une plage

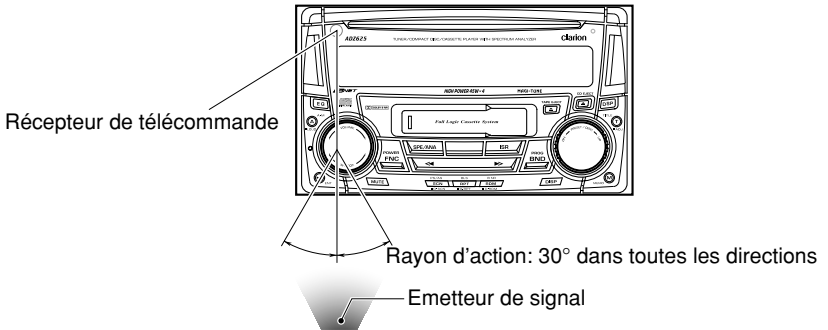
### Précautions de manipulation

- Une bande distendue risque de provoquer des anomalies de fonctionnement. En particulier, avec les cassettes préenregistrées et les cassettes de 90 minutes, reprenez le mou de la bande avant d'insérer la cassette dans le lecteur de cassette.

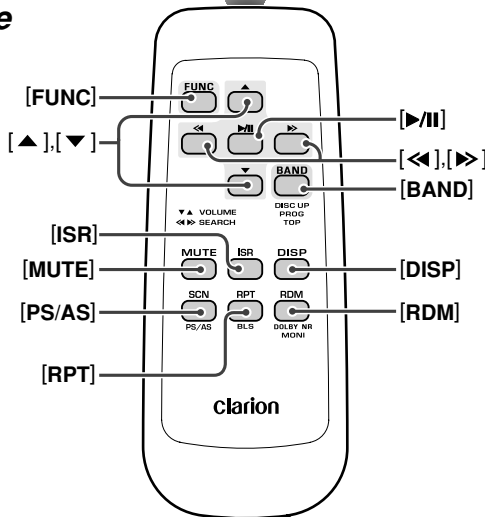


- Evitez d'utiliser des cassettes de 120 minutes ou plus. (Ces cassettes ont un ruban très fin qui risque de se distendre ou de se rompre.)
- Lisez périodiquement une cassette de nettoyage dans le lecteur pour nettoyer les têtes.
- Eloignez les objets magnétiques, par exemple les aimants, et les objets en fer et en acier comme les tournevis, des cassettes ainsi que de la tête du lecteur.
- Ne graissez pas le mécanisme de transport de la bande.
- N'utilisez pas de cassettes dont l'étiquette se décolle ou le boîtier est déformé. Ces cassettes risquent de provoquer des anomalies de fonctionnement.
- Lorsque vous ne vous servez pas du lecteur, sortez toujours la cassette du mécanisme. Le fait d'exposer la cassette en plein soleil, ou à des températures ou des humidités extrêmes risque de l'endommager.

# 6. TÉLÉCOMMANDE



## Télécommande



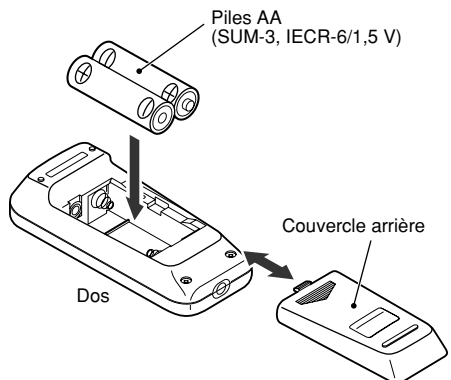
## Installation des piles

1. Retournez la télécommande à l'envers, puis poussez le couvercle arrière dans le sens de la flèche.
2. Insérez les piles AA (SUM-3, IECR-6/1,5 V) fournies avec la télécommande dans le sens indiqué sur la figure, puis refermez le couvercle arrière.

### Remarques:

Une utilisation incorrecte des piles risque de les faire exploser. Notez les points suivants:

- Quand vous remplacez les piles, remplacez bien les deux piles en même temps.
- Ne court-circuitez pas, ne démontez pas et ne chauffez pas les piles.
- Ne jetez pas les piles au feu.
- Mettez les piles usées au rebut de la manière appropriée.





# Fonctions des touches de la télécommande

Mode Touche	Radio	Cassette	CD	Changeur de CD/MD	Téléviseur
[FUNC]	Commute alternativement entre la radio, le CD, la cassette, le changeur CD, le changeur MD et la téléviseur.				
[BAND]	Sélection de la gamme de réception.	Sélection de la face de la cassette.	Lecture de la première plage. Lecture TOP.	Saut au disque suivant dans l'ordre croissant.	Sélection de la gamme de réception.
[▲], [▼]	Augmentation et diminution du volume (tous les modes).				
[◀], [▶]	Balayage ascendant/descendant des canaux pré-réglés.	Avance rapide et retour rapide de la bande. Avance rapide et retour rapide APC.	Sélection ascendante/descendante des plages. Pression de plus de 1 seconde: Avance rapide/retour rapide.		Balayage ascendant/descendant des canaux pré-réglés.
[▶  ]	Sans fonction.	Commutation entre la lecture et la pause.	Commutation entre la lecture et la pause.		Sans fonction.
[MUTE]	Mise en/hors service du silencieux.				
[ISR]	Rappel d'une station de radio ISR mémorisée. Mémorisation de la station en cours dans la mémoire ISR (mode radio uniquement) quand vous maintenez appuyé pendant 1 seconde.				
[DISP]	Commute alternativement entre l'affichage principal, l'affichage secondaire et l'affichage de l'horloge (CT).				
[SCN]	Balayage des stations pré-réglées. Pression de 2 secondes: Préréglage automatique des stations.	Exploration rapide en marche avant.	Lecture des introductions.	Lecture des introductions. Pression de plus de 1 seconde: Balayage de tous les disques.	Balayage des stations pré-réglées. Pression de 2 secondes: Préréglage automatique des stations.
[RPT]	Sans fonction.	Lecture répétée. Pression de plus d'une seconde: Mise en/hors service de fonction de saut de passage vierge.	Lecture répétée.	Lecture répétée. Pression de plus de 1 seconde: Lecture répétée de tous les disques.	Sans fonction.
[RDM]	Sans fonction.	Sélection du mode de réduction de bruit Dolby	Lecture aléatoire.	Lecture aléatoire. Pression de plus de 1 seconde: Lecture aléatoire	Commute alternativement entre la télévision (TV) et le magnétoscope (VTR).

\* Certaines des touches correspondantes de l'appareil principal et de la télécommande ont des fonctions différentes.

# 7. FONCTIONNEMENT

**Remarque:** Lisez bien le chapitre relatif aux schémas de la façade, au chapitre "3. LES COMMANDES", à la page 5 (dépliante).

## Fonctionnement de base

### ⚠ PRECAUTION

Pensez bien à baisser le volume avant d'éteindre l'appareil ou de couper la clé de contact. L'appareil mémorise son dernier niveau de volume, de sorte que lorsque vous le rallumerez, un brusque niveau de volume élevé risque de vous abîmer les oreilles et d'endommager l'appareil.

L'horloge s'affiche quand vous tournez la clé de contact sur la position ACC (accessoire) ou IGN (contact), même si l'appareil est éteint. Dans certaines voitures, l'horloge disparaît temporairement lorsque vous tournez la clé de contact sur la position START. L'horloge réapparaît dès que le moteur aura démarré et que la clé de contact sera relâchée sur la position IGN (contact).

### Mise sous/hors tension

#### Remarques:

- Faites attention si l'appareil fonctionne pendant longtemps sans que le moteur de la voiture ne tourne. Si la batterie se décharge, vous ne pourrez plus démarrer le moteur et vous risquez de raccourcir la durée de vie de la batterie.

#### Vérification du système

L'appareil vérifie l'appareil externe raccordé via le câble CeNET. Quand vous tournez la clé de contact ACC/IGN (initialisation) pour la première fois, les messages "SYSTEM" (Système) et "Push PWR" (Appuyez sur l'interrupteur POWER) apparaissent alternativement sur l'afficheur. Appuyez sur l'interrupteur [FNC] pour démarrer la vérification du système. Lorsque la vérification est terminée, appuyez à nouveau sur l'interrupteur [FNC] pour activer l'appareil jusqu'à ce que l'appareil affiche "CHECKING COMPLETE" ("vérification terminée").

- Appuyez sur l'interrupteur [FNC].
- L'éclairage et l'afficheur de l'appareil s'allument. L'appareil se souvient du dernier mode de fonctionnement et il commute automatiquement sur ce mode.
- Maintenez l'interrupteur [FNC] enfoncé pendant 1 seconde ou plus pour mettre l'appareil hors tension.

### Sélection du mode

- Appuyez sur la touche [FNC] pour changer le mode de fonctionnement.
- Chaque fois que vous appuyez sur la touche [FNC], le mode de fonctionnement change dans l'ordre suivant:  
Mode radio → Mode CD → Mode cassette → Mode changeur CD → Mode changeur MD → Mode télévision → Mode AUX → Mode radio...  
\* L'appareil externe non raccordé via le câble CeNET ne sera pas affiché.

### Réglage du volume

Tournez le bouton [VOLUME] dans le sens horaire pour augmenter le volume ou dans le sens anti-horaire pour le diminuer.

- Le volume se règle entre 0 (minimum) et 33 (maximum).

### Commutation de l'affichage

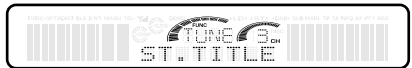
Appuyez sur la touche [DISP] pour sélectionner l'affichage.

Chaque fois que vous appuyez sur la touche [DISP], l'affichage change dans l'ordre suivant:

#### Affichage principal



#### Affichage secondaire (titre)



#### Affichage de l'horloge



#### Affichage principal

- \* Une fois votre affichage préféré sélectionné, il devient le réglage par défaut. Quand vous effectuez un réglage de fonction, par exemple du volume, l'écran commute provisoirement sur l'affichage de la fonction, puis il revient à l'affichage par défaut quelques secondes après le réglage.

- \* Si vous avez entré un titre pour un CD, il s'affiche sur l'affichage secondaire. Si vous n'avez pas entré de titre, "**NO-TTL**" s'affiche à la place. Pour les détails sur la façon d'entrer les titres, voyez la sous-section "**Entrée de titres**" dans "**Démarches communes à chaque mode**".
- \* Vous pouvez régler la façon de faire défiler le titre. Pour les détails, voyez la sous-section "**Réglage du défilement d'un titre**" dans "**Démarches communes à chaque mode**".

### Réglage des graves

1. Appuyez sur la touche **[A]** et sélectionnez "**BASS**".
2. Tournez le bouton **[VOLUME]** dans le sens horaire pour accentuer les graves ou dans le sens anti-horaire pour les atténuer.
  - \* Le réglage usine est "**0**". (Plage de réglage: -6 à +6)
3. Lorsque le réglage est terminé, appuyez plusieurs fois de suite sur la touche **[A]** jusqu'à ce que le mode de fonctionnement soit atteint.

### Réglage des aigus

1. Appuyez sur la touche **[A]** et sélectionnez "**TREB**".
2. Tournez le bouton **[VOLUME]** dans le sens horaire pour accentuer les aigus ou dans le sens anti-horaire pour les atténuer.
  - \* Le réglage usine est "**0**". (Plage de réglage: -6 à +6)
3. Lorsque le réglage est terminé, appuyez plusieurs fois de suite sur la touche **[A]** jusqu'à ce que le mode de fonctionnement soit atteint.

### Réglage de la balance gauche-droite

1. Appuyez sur la touche **[A]** et sélectionnez "**BAL**".
2. Tournez le bouton **[VOLUME]** dans le sens horaire pour accentuer les sons du haut-parleur droit ou dans le sens anti-horaire pour accentuer ceux du haut-parleur gauche.
  - \* Le réglage usine est "**0**". (Plage de réglage : L13 à R13)
3. Lorsque le réglage est terminé, appuyez plusieurs fois de suite sur la touche **[A]** jusqu'à ce que le mode de fonctionnement soit atteint.

### Réglage de la balance avant-arrière

1. Appuyez sur la touche **[A]** et sélectionnez "**FAD**".
2. Tournez le bouton **[VOLUME]** dans le sens horaire pour accentuer les sons des haut-parleurs avant ou dans le sens anti-horaire pour accentuer ceux des haut-parleurs arrière.
  - \* Le réglage usine est "**0**". (Plage de réglage: F12 à R12)
3. Lorsque le réglage est terminé, appuyez plusieurs fois de suite sur la touche **[A]** jusqu'à ce que le mode de fonctionnement soit atteint.

### Mise en/hors service de la correction physiologique

La correction physiologique accentue les graves et les aigus de façon à reproduire une tonalité plus naturelle. Lorsque vous écoutez de la musique à faible volume, il est recommandé d'utiliser la correction physiologique.

1. Maintenez la touche **[A]** enfoncée pendant 1 seconde ou plus pour mettre la correction physiologique en service. Lorsque la correction physiologique est en service, "**LOUD**" apparaît sur l'afficheur.
2. Maintenez la touche **[A]** enfoncée pendant 1 seconde ou plus pour mettre la correction physiologique hors service. "**LOUD**" disparaît de l'afficheur.

## Réception FM

Pour améliorer les performances FM, le tuner **MAGI-TUNE®** est doté d'une commande stéréo actionnée par le signal et de circuits de réduction du bruit de propagation diversifiée.

## Changement de zone de réception

L'appareil est généralement réglé sur les intervalles de fréquence des Etats-Unis, à savoir 10 kHz pour la AM et 200 kHz pour la FM. Si vous l'utilisez en dehors des Etats-Unis, vous pourrez modifier la plage de réception des fréquences aux intervalles ci-dessous.

### ● Réglage de la zone de réception

1. Appuyez sur la touche **[FNC]** et sélectionnez le mode radio (FM ou AM).
2. Tout en appuyant sur la touche **[DISP]**, chaque fois que vous maintenez la touche **[SPE/ANA]** enfoncée pendant 2 secondes ou plus, la zone de réception alterne de l'intérieur des États-Unis vers l'extérieur des États-Unis ou vice-versa.

\* Quand vous changez de zone de réception, toutes les stations préréglées en mémoire s'effacent.

## Ecoute de la radio

1. Appuyez sur la touche **[FNC]** et sélectionnez le mode radio.
2. Appuyez sur la touche **[BND]** et sélectionnez la gamme. Chaque fois que vous appuyez sur la touche, la gamme de réception radio change dans l'ordre suivant:  
FM1 → FM2 → FM3 → AM → FM1...
3. Appuyez sur la touche **[▶▶]** ou sur la touche **[◀◀]** pour accorder la station.

## Accord

Il existe trois modes d'accord au choix : l'accord automatique, l'accord manuel, et l'accord des stations préréglées.

## Accord automatique

1. Appuyez sur la touche **[BND]** et sélectionnez la gamme (FM ou AM).  
\* Si "**MANU**" est allumé sur l'afficheur, maintenez la touche **[BND]** enfoncée pendant 1 seconde ou plus. "**MANU**" s'éteint et l'accord automatique est possible.
2. Appuyez sur la touche **[▶▶]** ou sur la touche **[◀◀]** pour accorder une station automatiquement.

Quand vous appuyez sur la touche **[▶▶]**, les stations sont recherchées vers le haut de la fréquence ; quand vous appuyez sur la touche **[◀◀]**, les stations sont recherchées vers le bas de la fréquence.

## Accord manuel

Il existe deux méthodes au choix : L'accord rapide, et l'accord par paliers.

En mode d'accord par paliers, le canal est recherché palier par palier. En mode d'accord rapide, le canal est recherché rapidement.

1. Appuyez sur la touche **[BND]** et sélectionnez la gamme (FM ou AM).

\* Si "**MANU**" n'est pas allumé sur l'afficheur, maintenez la touche **[BND]** enfoncée pendant 1 seconde ou plus. "**MANU**" apparaît sur l'afficheur et l'accord manuel est possible.

2. Accordez la station

### ● Accord rapide:

Maintenez la touche **[▶▶]** ou sur la touche **[◀◀]** enfoncée pendant 1 seconde ou plus pour accorder manuellement la fréquence voulue.

### ● Accord par paliers:

Appuyez sur la touche **[▶▶]** ou sur la touche **[◀◀]** pour accorder manuellement les fréquences voulues une par une.

## Préréglage des stations

Il est possible de mémoriser jusqu'à 24 stations (6 FM1, 6 FM2, 6 FM3 et 6 AM) sur les 24 adresses mémoire.

## Préréglage manuel des stations

1. Sélectionnez la station souhaitée par l'accord automatique, l'accord manuel ou l'accord des stations préréglées.
2. Appuyez sur la touche **[M]**.  
"**CH**" s'allume sur l'affichage.
3. Tournez le bouton **[PRESET]** dans le sens horaire ou anti-horaire pour sélectionner la mémoire de préréglage souhaitée.
4. Maintenez la touche **[M]** enfoncée pendant 2 secondes ou plus pour stocker la station dans la mémoire de préréglage.

## Préréglage automatique des stations

Le préréglage automatique des stations sélectionne 6 stations et il les mémorise automatiquement dans la mémoire. Si le préréglage automatique ne peut pas accorder les 6 stations, il mémorise les stations ayant les signaux les plus puissants, et il laisse les autres adresses mémoire telles quelles.

1. Appuyez sur la touche **[BND]** et sélectionnez la gamme (FM ou AM).

## Fonctionnement de la radio

---

2. Maintenez la touche **[SCN]** enfoncée pendant 2 secondes ou plus. Les stations permettant une bonne réception sont automatiquement stockées dans la mémoire de préréglage.

### Rappel des stations préréglées

Tournez le bouton **[PRESET]** dans le sens horaire ou anti-horaire pour rappeler automatiquement la fréquence radio mémorisée.

1. Appuyez sur la touche **[BND]** et sélectionnez la gamme (FM1, FM2, FM3 ou AM).
2. Tournez le bouton **[PRESET]** dans le sens horaire ou anti-horaire pour rappeler la station mémorisée.

### Balayage des stations préréglées

Cette fonction permet de rappeler chaque adresse mémoire dans l'ordre. Ceci est pratique pour rechercher une station donnée.

1. Appuyez sur la touche **[SCN]**.
2. Lorsque la station voulue est accordée, appuyez à nouveau sur la touche **[SCN]** pour continuer à recevoir cette station.

#### Remarque:

- *Faites attention de ne pas maintenir la touche **[SCN]** enfoncée pendant 2 secondes ou plus, car la fonction de préréglage automatique des stations entrerait en service et l'appareil commencerait à mémoriser les stations.*

### Rappel instantané des stations (ISR)

Le rappel instantané des stations est un préréglage spécial de la radio qui permet un accès instantané à une station sur simple pression d'une touche. La fonction ISR est valable également dans les autres modes de fonctionnement.

#### ● Mémoire ISR

1. Sélectionnez la station que vous voulez enregistrer dans la mémoire ISR.
2. Maintenez la touche **[ISR]** enfoncée pendant 2 secondes ou plus.

#### ● Rappel d'une station avec la fonction ISR


Dans n'importe quel mode, appuyez sur la touche **[ISR]** pour mettre la radio en service, puis accordez la station. "ISR" apparaît sur l'afficheur. Appuyez à nouveau sur la touche **[ISR]** pour revenir au mode précédent.

# Fonctionnement des disques compacts

## Chargement d'un disque

Insérez un disque au centre de la fente d'insertion du CD, son étiquette tournée vers le haut. La lecture commence dès que le disque est chargé.

### Remarques:

- N'insérez jamais de corps étrangers dans la fente d'insertion du CD.
- Si un CD est déjà chargé dans l'appareil, n'essayez pas d'insérer un autre CD dans ce boîtier.
- Vous ne pourrez pas lire de disques ne portant pas le label  ni de CD-ROM sur ce lecteur.
- Certains modèles de CD enregistrés en mode CD-R risquent de ne pas être utilisables.
- Même lorsqu'ils ont été enregistrés en mode CD-RW, certains modèles de CD risquent de ne pas être utilisables.

## Lecture d'un disque déjà chargé

Appuyez sur la touche [FNC] pour sélectionner le mode CD. La lecture commence automatiquement. S'il n'y a pas de disque dans l'appareil, "NO DISC" ("Pas de disque") apparaît sur l'afficheur.

## Pause de la lecture

1. Appuyez sur la touche [▶||] pour interrompre momentanément la lecture. "PAUSE" apparaît sur l'afficheur.
2. Pour reprendre la lecture, appuyez à nouveau sur la touche [▶||].

## Affichage des titres de disque

L'appareil est capable d'afficher les titres de disque entrés par l'utilisateur.

Appuyez sur la touche [DISP] pour afficher le titre.

### Remarques:

- Il n'est pas possible d'afficher les titres des CD-texte sur cet appareil.
- Si le CD en cours de lecture n'est pas un CD-texte ou si vous n'avez pas entré de titre pour le CD, "NO-TTL" s'affiche.

## Ejection d'un disque

Appuyez sur la touche [CD EJECT] pour éjecter le disque. Sortez-le de la position d'éjection.

- \* Si un disque de 5" (12 cm) reste en position éjectée pendant 15 secondes, il se recharge automatiquement (Rechargement automatique).
- \* Les disques de 3" (8 cm) ne sont pas rechargés. Pensez bien à les retirer quand ils sont éjectés.

### Remarques:

- Si vous insérez un disque de force avant le rechargement automatique, vous risquez d'endommager le disque.
- \* Le mode radio se sélectionne automatiquement 4 secondes après la pression sur la touche [CD EJECT].

## Sélection d'une plage

### ● Plage suivante

1. Appuyez sur la touche [▶▶] pour aller au début de la plage suivante.
2. Chaque fois que vous appuyez sur la touche [▶▶], la plage avance jusqu'au début de la plage suivante.

### ● Plage précédente

1. Appuyez sur la touche [◀◀] pour aller au début de la plage actuelle.
2. Appuyez deux fois sur la touche [◀◀] pour aller au début de la plage précédente.

## Avance rapide/retour rapide

### ● Avance rapide

Maintenez la touche [▶▶] enfoncée pendant 1 seconde ou plus.

### ● Retour rapide

Maintenez la touche [◀◀] enfoncée pendant 1 seconde ou plus.

## Fonction Top

La fonction Top ramène le lecteur CD à la première plage du disque. Appuyez sur la touche [BND] pour lire la première plage (page No. 1) du disque.

## Lecture des introductions

La lecture des introductions recherche et lit automatiquement les 10 premières secondes de chacune des plages d'un disque. Cette fonction se poursuit sur tout le disque jusqu'à ce que vous l'annuliez.

- \* La lecture des introductions est très utile pour rechercher la plage de votre choix.

1. Appuyez sur la touche [SCN] pour commencer la lecture des introductions de plage. "T-SCAN" s'allume sur l'afficheur.
2. Pour annuler la lecture des introductions, appuyez à nouveau sur la touche [SCN]. "T-SCAN" disparaît de l'afficheur et la lecture de la plage en cours continue.

### **Lecture répétée**

La lecture répétée vous permet de relire la plage en cours indéfiniment. Cette fonction se poursuit automatiquement jusqu'à ce que vous l'annuliez.

1. Appuyez sur la touche [RPT]. "T-REPEAT" s'allume sur l'afficheur et la plage en cours est répétée.
2. Pour annuler la lecture répétée, appuyez à nouveau sur la touche [RPT]. "T-REPEAT" disparaît de l'afficheur et la lecture normale reprend.

### **Lecture aléatoire**

La lecture aléatoire permet de sélectionner et de lire des plages individuelles du disque dans un ordre au hasard. Cette fonction se poursuit automatiquement jusqu'à ce que vous l'annuliez.

1. Appuyez sur la touche [RDM]. "T-RANDOM" s'allume sur l'afficheur, une plage est sélectionnée au hasard et la lecture commence.
2. Pour annuler la lecture aléatoire, appuyez à nouveau sur la touche [RDM]. "T-RANDOM" disparaît de l'afficheur et la lecture normale reprend.

### **Chargement de la cassette**

Mettez la cassette dans la fente d'insertion de la cassette. "LOADING" apparaît sur l'afficheur et la lecture commence.

- \* Quand vous insérez une cassette métal (70 µs) le réglage de prémagnétisation métal se règle automatiquement.
- \* Le volet de la fente de cassette se referme automatiquement après l'insertion ou l'éjection de la cassette ("Fonction de fermeture automatique de volet") pour protéger le mécanisme de bande contre la poussière.

### **Lecture d'une cassette déjà insérée**

Appuyer sur la touche [FNC] pour sélectionner le mode cassette. La lecture commence automatiquement. S'il n'y a pas de cassette dans l'appareil, "NO CASS" apparaît sur l'afficheur.

### **Pause de lecture**

1. Appuyer sur la touche [▶||] pour arrêter temporairement la lecture. "PAUSE" apparaît sur l'afficheur.
2. Pour reprendre la lecture, appuyez à nouveau sur la touche [▶||].

### **Ejection d'une cassette**

Appuyez sur la touche [TAPE EJECT] pour éjecter la cassette. Sortez-la de la position éjectée.

- \* Le mode radio se sélectionne automatiquement 4 secondes après la pression sur la touche [TAPE EJECT].

### **Commutation sur l'autre face de la cassette**

Appuyez sur la touche [BND] pour changer le sens de défilement et de lecture de la cassette.

- \* Le mécanisme de cassette intervient automatiquement le sens de défilement de la cassette à la fin de la face (Inversion automatique).

### **Avance rapide/retour rapide**

#### ● Avance rapide

Appuyez sur la touche [▶▶].

#### ● Retour rapide

Appuyez sur la touche [◀◀].

#### ● Annulation de l'avance rapide/retour rapide

Appuyez sur la touche [▶||].

## Fonctionnement de la cassette

### ● Ecoute d'une autre cassette pendant une avance rapide/retour rapide ("mode contrôle")

Pour écouter le CD, le changeur CD/MD ou les émissions AM/FM pendant que le mécanisme effectue une recherche, appuyez sur la touche [FNC] pour sélectionner le mode. Le mécanisme s'arrête automatiquement lorsque la cassette arrive en fin de bande.

#### Remarque:

- Pour revenir à la lecture de cassette, appuyez sur la touche [FNC] et sélectionnez la fonction cassette.

### Fonction APC (recherche automatique des programmes)

La fonction APC vous permet de sauter la bande vers l'avant jusqu'au début de la plage suivante ou de la rebobiner jusqu'au début de la plage en cours.

### ● Recherche du début de la plage suivante ("FF APC")

Appuyez deux fois sur la touche [▶▶] pendant la lecture de la bande. La lecture de la plage suivante commence.

### ● Recherche du début de la plage en cours ("REW APC")

Appuyez deux fois sur la touche [◀◀] pendant la lecture de la bande pour rebobiner la plage en cours. La lecture de la plage commence depuis le début.

### ● Annulation de la fonction FF/REW APC et reprise de la lecture

Appuyez sur la touche [▶||].

### ● Ecoute d'une autre source pendant la fonction APC ("mode contrôle")

Pour écouter le CD, le changeur CD/MD ou les émissions AM/FM pendant que le mécanisme effectue une recherche, appuyez sur la touche [FNC] pour sélectionner le mode. Le mécanisme s'arrête automatiquement lorsqu'il repère la plage suivante (pendant la fonction "FF APC") ou le début de la plage en cours (pendant la fonction "REW APC").

#### Remarque:

- Pour revenir à la lecture de cassette, appuyez sur la touche [FNC] et sélectionnez la fonction cassette.

### Système de réduction de bruit Dolby

Le système de réduction de bruit Dolby augmente le niveau du volume des sons de haute fréquence pendant l'enregistrement, et il ramène ces fréquences à leur niveau d'origine à la lecture. Ce système réduit le sifflement de bande qui est typique des cassettes.

- \* Réduction de bruit Dolby fabriquée sous licence de Dolby Laboratories Licensing Corporation. Le mot "Dolby" et le symbole Double-D sont des marques de fabrique de Dolby Laboratories Licensing Corporation.

Appuyez sur la touche [RDM] pour sélectionner

la réduction de bruit Dolby. "B NR" apparaît sur l'afficheur. Chaque fois que vous appuyez sur la touche [RDM], le mode commute entre B NR (Dolby NR B) et OFF (désactivé).

### Lecture des introductions

La lecture des introductions recherche et lit les 10 premières secondes de chacune des plages de la cassette. Cette fonction se poursuit jusqu'à ce que vous l'annuliez.

1. Appuyez sur la touche [SCN] pour déclencher la lecture des introductions. "SCAN" apparaît sur l'afficheur.
2. Pour annuler la lecture des introductions, appuyez à nouveau sur la touche [SCN]. "SCAN" disparaît de l'afficheur et la lecture de la plage en cours se poursuit.

- \* Lorsque la cassette arrive en fin de bande pendant la lecture des introductions, le mécanisme de transport de la bande s'inverse automatiquement et il poursuit la lecture des introductions.

- \* Si vous sélectionnez un autre mode pendant la lecture des introductions, le mécanisme arrête automatiquement la lecture des introductions lorsqu'il arrive à la plage suivante (fonction APC).

### Lecture répétée de la bande

La section cassette répète la lecture de plage en cours. Cette fonction se poursuit jusqu'à ce que vous l'annuliez.

1. Appuyez sur la touche [RPT]. "REPEAT" apparaît sur l'afficheur et la lecture de la plage en cours recommence.
2. Pour annuler la lecture répétée, appuyez à nouveau sur la touche [RPT]. "REPEAT" disparaît de l'afficheur et la lecture normale reprend.

### Saut des passages vierges

Le saut des passages vierges vous permet de sauter les sections non enregistrées de la bande d'une durée de plus de 12 secondes.

1. Maintenez la touche [RPT] enfoncée pendant 1 seconde ou plus. "BLS" apparaît sur l'afficheur et le mécanisme avance jusqu'à la plage suivante.
2. Pour annuler la lecture répétée, appuyez à nouveau sur la touche [RPT]. "BLS" disparaît de l'afficheur et la lecture normale reprend.

#### Remarques:

L'APC, la lecture des introductions, la répétition d'une plage ou le saut de passages vierges peuvent ne pas s'effectuer correctement avec les types présentant les caractéristiques suivantes:

- Le niveau d'enregistrement est trop bas.
- Il y a beaucoup de bruit entre les plages.
- La plage renferme de longs passages silencieux au milieu des plages.
- Les espaces vierges entre les plages durent moins de 4 secondes.



## Sélection du Menu DSP

À propos des fonctions DSP:

Le Processeur de son numérique fait appel à un traitement numérique des signaux pour permettre la création d'environnements audio simulés à l'intérieur de votre voiture, sans dégradation des sons.

1. Appuyez sur la touche **[DSP]**, ce qui fait clignoter l'indicateur DSP.
2. Tournez le bouton **[PRESET]** dans le sens horaire ou anti-horaire pour sélectionner le menu DSP.

### ● Menus DSP

**STADIUM** : Son d'un grand stade sans plafond ni murs.

**HALL** : Son d'une grande salle de concert.

**CLUB** : Son d'une club avec des graves fortes.

**CHURCH** : Son d'une église avec un très haut plafond.

**L-ROOM** : Son d'un auditorium à domicile.

3. Appuyez sur la touche **[DSP]** pour revenir au mode original.

## Pour mettre les effets DSP en/hors service

Maintenez la touche **[DSP]** enfoncée pendant 1 seconde ou plus.

Chaque fois que la touche **[DSP]** est ainsi actionnée, la fonction est alternativement mise en service et hors service.

Lorsque la fonction DSP est en service, l'indicateur DSF s'allume.

## Pour ajuster les Effets

À propos des effets sonores:

Par "effets", on entend les réverbérations et les échos caractéristiques qui se produisent quand les sons se répercutent contre des murs ou d'autres surfaces. Cet appareil permet d'ajuster le degré d'écho ou de réverbération.

1. Appuyez sur la touche **[DSP]**, ce qui fait clignoter l'indicateur DSF.
2. Tournez le bouton **[PRESET]** dans le sens horaire ou anti-horaire pour sélectionner l'article de réglage sur le menu DSP souhaité.
3. Maintenez la touche **[T]** enfoncée pendant une seconde ou plus.
4. Tournez le bouton **[VOLUME]** dans le sens horaire ou anti-horaire pour ajuster l'effet.

- Le degré de l'effet ajouté peut s'ajuster dans une plage de 0 à 70%.

5. Appuyez sur la touche **[T]** pour revenir au menu DSP. Le menu DSP sélectionné apparaît.
6. Appuyez sur la touche **[DSP]** pour revenir au mode original.

## Sélection du menu EQ

À propos de la fonction EQ:

L'Égaliseur autorise la correction et la modification de la réponse de fréquence sur les plages de fréquence sélectionnées, ce qui vous permet de créer vos propres sons uniques.

1. Appuyez sur la touche **[EQ]**.
2. Tournez le bouton **[PRESET]** dans le sens horaire ou anti-horaire pour sélectionner le menu EQ souhaité.

### ● Menus EQ

**IMPACT** : Les basses et hautes fréquences sont accentuées.

**B-BOOST** : Les basses fréquences sont accentuées.

**ACOUSTIC** : Les moyennes fréquences (vocales) sont accentuées.

**FLAT** : Le son original.

3. Appuyez sur la touche **[EQ]** pour revenir au mode original.

## Pour mettre les effets EQ en/hors service

Maintenez la touche **[EQ]** enfoncée pendant 1 seconde ou plus.

Chaque fois que la touche **[EQ]** est ainsi actionnée, la fonction est alternativement mise en service et hors service. Lorsque la fonction EQ est en service (ON), l'indicateur G.EQ s'allume.

# Démarches communes à chaque mode

## Réglage de l'horloge

1. Maintenez la touche [T] enfoncée pendant 1 seconde ou plus pour passer à l'écran de sélection de réglage.
2. Appuyez sur la touche [▶▶] ou sur la touche [◀◀] pour sélectionner "CLOCK\_ [E]".
3. Appuyez sur la touche [▶||].
4. Appuyez sur la touche [▶▶] ou sur la touche [◀◀] pour sélectionner les heures et les minutes.
5. Tournez le bouton [VOLUME] dans le sens horaire ou anti-horaire pour régler à l'heure exacte.
  - \* L'horloge s'affiche au format de 12 heures.
6. Appuyez sur la touche [▶||] pour enregistrer l'heure en mémoire.
7. Appuyez sur la touche [T] pour revenir au mode précédent.

### Remarque:

- Vous ne pouvez pas régler l'heure si l'horloge est affichée mais que seul le contact est mis. Si vous épousez ou retirez la batterie ou que vous sortez l'appareil, il faudra rerégler l'horloge. Si vous actionnez une touche ou sélectionnez un autre mode pendant le réglage de l'heure, le mode de réglage de l'horloge s'annule.

## Réglage du motif de l'analyseur de spectre

Vous pouvez sélectionner l'un des 8 motifs proposés, ou désactiver la fonction.

- \* Le réglage usine est "PATTERN 1" (Motif 1).

Chaque fois que vous appuyez sur la touche [SPE/ANA], le motif de l'analyseur de spectre change dans l'ordre suivant:

PATTERN 1 → PATTERN 2 → PATTERN 3 →  
PATTERN 4 → PATTERN 5 → PATTERN 6 →  
PATTERN 7 → SCAN → OFF (Désactivé) → PAT-  
TERN 1...

### Remarque:

L'affichage de l'analyseur de spectre n'est pas disponible pendant les opérations suivantes:

- Accord automatique et préréglage des stations en mode radio
- Silencieux ou pause
- Lorsque l'indication "NO DISC" ou un message d'erreur apparaissent sur l'afficheur.

## Réglage de la sensibilité de l'analyseur de spectre

- \* Le réglage usine est "MID" (Moyen).

1. Maintenez la touche [T] enfoncée pendant 1 seconde ou plus pour passer à l'écran de sélection de réglage.

2. Appuyez sur la touche [▶▶] ou sur la touche [◀◀] pour sélectionner "ANA SENS".
3. Tournez le bouton [VOLUME] dans le sens horaire ou anti-horaire pour régler la sensibilité de l'analyseur de spectre.  
Vous avez trois niveaux de sensibilité au choix pour l'analyseur de spectre: "LOW" (Faible), "MID" (Moyen) ou "HIGH" (Fort).
4. Appuyez sur la touche [T] pour revenir au mode précédent.

## Réglage de la vitesse de l'analyseur de spectre

- \* Le réglage usine est "HIGH" (Fort).

1. Maintenez la touche [T] enfoncée pendant 1 seconde ou plus pour passer à l'écran de sélection de réglage.
2. Appuyez sur la touche [▶▶] ou sur la touche [◀◀] pour sélectionner "ANA SPD".
3. Tournez le bouton [VOLUME] dans le sens horaire ou anti-horaire pour régler la vitesse de l'affichage de l'analyseur de spectre.  
Vous avez trois vitesses au choix pour l'affichage de l'analyseur de spectre: "LOW" (Faible), "MID" (Moyen) ou "HIGH" (Fort).
4. Appuyez sur la touche [T] pour revenir au mode précédent.

## Entrée de titres

Vous pouvez donner des titres de 10 caractères de long maximum aux stations de radio, aux chaînes de télévision et aux disques, enregistrer ces titres en mémoire et les afficher. Le nombre de titres que vous pouvez entrer varie en fonction du mode, comme suit.

Mode	Nombre de titres
Mode radio	30 titres
Mode CD	100 titres
Mode TV	15 titres

Mode changeur CD	Nombre de titres
CDC655z raccordé	60 titres
CDC655Tz raccordé	100 titres
CDC1255z raccordé	50 titres

1. Appuyez sur la touche [FNC] pour sélectionner le mode pour lequel vous voulez entrer un titre (radio, CD, changeur CD ou TV).
  - \* Avec cet appareil, il n'est pas possible d'entrer des titres pour un minidisque.
2. Sélectionnez et lisez le disque ou un disque du changeur CD, ou accordez la chaîne de télévision ou la station de radio voulus.

- Appuyez sur la touche [DISP] et affichez le titre.
- Appuyez sur la touche [T]. "TITL" apparaît sur l'afficheur et la position du curseur clignote.
- Appuyez sur la touche [▶▶] ou sur la touche [◀◀] pour déplacer le curseur.
- Appuyez sur la touche [DISP] pour sélectionner un caractère. Chaque fois que vous appuyez sur la touche [DISP], le caractère change dans l'ordre suivant:  
Majuscules → Minuscules → Chiffres/symboles → Majuscules...
- Tournez le bouton [VOLUME] dans le sens horaire ou anti-horaire pour sélectionner le caractère. Appuyez sur la touche [▶▶] pour amener le curseur au caractère suivant, et sur la touche [◀◀] pour amener le curseur au caractère précédent.
- Recommencez les opérations 5 à 7 pour entrer jusqu'à 10 caractères pour chaque titre.
- Maintenez la touche [▶||] enfoncée pendant 2 secondes ou plus pour enregistrer le titre en mémoire et annuler le mode d'entrée de titre.

### Effacement de titres

- Lisez le disque ou le disque du changeur CD ou accordez la station de radio ou la chaîne de télévision dont vous voulez effacer le titre.
- Appuyez sur la touche [DISP] et affichez le sous-titre.
- Appuyez sur la touche [T]. "TITL" apparaît sur l'afficheur et l'afficheur passe à l'affichage d'entrée de titre.
- Appuyez sur la touche [BND].
- Maintenez la touche [▶||] enfoncée pendant 2 secondes ou plus pour effacer le titre et annuler le mode d'entrée de titre.

### Affichage des messages

Lorsque le lecteur est mis sous ou hors tension, un message s'affiche. Vous pouvez soit activer, soit désactiver la fonction d'affichage des messages.

\* Le réglage usine de l'affichage des messages est "ON" (Activé).

- Maintenez la touche [T] enfoncée pendant 1 seconde ou plus pour passer à l'écran de sélection de réglage.
- Appuyez sur la touche [▶▶] ou sur la touche [◀◀] pour sélectionner "MESSAGE".
- Tournez le bouton [VOLUME] dans le sens horaire pour activer ("ON") l'affichage de message ou dans le sens anti-horaire pour désactiver ("OFF") l'affichage de message.

- Appuyez sur la touche [T] pour revenir au mode précédent.

### Fonction d'horloge

#### ● Réglage de l'heure

A propos de l'indication de l'horloge "CLOCK INDICATION"...

L'appareil affiche l'horloge lorsque le moteur de la voiture tourne (lorsque ACC se trouve sur ON). L'horloge affiche l'heure sous un format de 12 heures.

- Appuyez de façon continue sur la touche [T] (pendant environ 1 seconde). "ANA\_SENS" s'affiche.
- Appuyez sur la touche [◀◀] ou sur la touche [▶▶] et sélectionnez "CLOCK\_E".
- Appuyez sur la touche [▶||] pour afficher l'horloge. L'horloge affiche "AM 12:00" et elle passe au mode "réglage de l'heure".
- Appuyez sur la touche [◀◀] ou sur la touche [▶▶] et sélectionnez "HOUR" ou "MINUTE". Vous pouvez régler les éléments qui clignotent.
- Appuyez sur la touche [▶▶] ou sur la touche [◀◀] et réglez l'heure.
- Appuyez sur la touche [▶||].
- Appuyez sur la touche [T]. L'appareil revient à l'indication d'origine.

### Déclenchement du silencieux pour téléphones portables

L'appareil nécessite des raccordements spéciaux pour couper automatiquement le son lorsqu'un téléphone portable sonne dans la voiture.

\* Cette fonction n'est pas compatible avec tous les téléphones portables. Pour l'installation et la compatibilité, consultez votre concessionnaire Clarion agréé.

### Réglage du défilement d'un titre

Il y a trois façons de faire défiler les titres sur l'afficheur. Choisissez la méthode que vous préférez.

\* Le réglage usine est "AUTO" (Automatique).

- Maintenez la touche [T] enfoncée pendant 1 seconde ou plus pour passer à l'écran de sélection de réglage.
- Appuyez sur la touche [▶▶] ou sur la touche [◀◀] pour sélectionner "SCROLL".
- Tournez le bouton [VOLUME] pour changer l'affichage. Chaque fois que le bouton est tourné dans le sens horaire ou anti-horaire, l'affichage change entre les 2 méthodes disponibles.
- Appuyez sur la touche [T] pour revenir au mode précédent.

# 8. FONCTIONNEMENT DES ACCESSOIRES

## Fonctionnement du changeur de CD/MD

### Fonctions du changeur CD/MD

Si vous avez raccordé un changeur CD/MD en option via le câble CeNET, l'appareil pourra piloter toutes les fonctions du changeur CD/MD. L'appareil peut piloter au total 2 changeurs (MD et/ou CD).

Appuyez sur la touche **[FNC]** pour sélectionner le mode changeur CD(MD) et commencer la lecture. Si vous avez raccordé 2 changeurs CD(MD), appuyez sur la touche **[FNC]** pour sélectionner le changeur CD(MD) de lecture.

- \* Si "**NO MAGA**" (pas de chargeur) apparaît sur l'afficheur, insérez un chargeur dans le changeur CD. "**CHECK**" (chargement en cours) apparaît sur l'afficheur pendant que le lecteur charge (vérifie) le chargeur.
- \* Si "**NO DISC**" (pas de disque) apparaît sur l'afficheur, éjectez le chargeur et insérez les disques un à un dans les fentes. Réinsérez le chargeur dans le changeur CD.
- \* Si "**NO DISC**" (pas de chargeur) apparaît sur l'afficheur, insérez les minidisks dans le changeur MD.

### ⚠ PRÉCAUTION

**Vous ne pouvez pas lire de disques CD-R ni de CD-ROM avec ce changeur CD.**

### Pause de la lecture

1. Appuyez sur la touche **[▶||]** pour interrompre momentanément la lecture. "**PAUSE**" apparaît sur l'afficheur.
2. Pour reprendre la lecture, appuyez à nouveau sur la touche **[▶||]**.

### Affichage des titres de disque

L'appareil est capable d'afficher les données de titre des CD-texte et les titres entrés par l'utilisateur.

- \* Les données des CD-texte ne s'afficheront que si vous raccordez un CDC655Tz
- **Si vous raccordez un CDC655z ou un CDC1255z**

Appuyez sur la touche **[DISP]** pour afficher le titre.

#### ● Si vous raccordez un CDC655Tz

1. Appuyez sur la touche **[DISP]** pour afficher le titre.
2. Chaque fois que vous maintenez la touche **[DISP]** enfoncée pendant 1 seconde ou plus, l'affichage du titre change dans l'ordre suivant:

Titre utilisateur (disque) → Titre de CD-texte (disque) → Titre de CD-texte (page) → Titre utilisateur (disque)...

#### Remarques:

- Si le CD en cours de lecture n'est pas un CD-texte ou si vous n'avez pas entré de titre utilisateur pour le CD, "**USER TTL**" s'affiche.
- Si le CD-texte n'a ni titre de disque ni titre de page, "**TEXT [D] TTL**" ou "**TEXT [T] TTL**" apparaît sur l'afficheur.

### Affichage des titres de disque et de page (MD)

L'appareil est capable d'afficher les titres de disque et les titres de page déjà inscrits sur les minidisks. Les titres, de 128 caractères de long maximum, pourront être affichés en faisant défiler l'écran.

- \* Il n'est pas possible d'entrer des titres pour les minidisks sur cet appareil.

1. Appuyez sur la touche **[DISP]** pour afficher le titre. Le titre du disque ou de la page s'affiche.
2. Chaque fois que vous maintenez la touche **[DISP]** enfoncée pendant 1 seconde ou plus, l'affichage du titre commute alternativement entre les titres de disque et les titres de page.

#### Remarque:

- Si le MD n'a ni titre de disque ni titre de page, "**[D] TITLE**" ou "**[T] TITLE**" apparaît sur l'afficheur.

### Procédure de défilement d'un titre

Réglez "**AUTO SCROLL**" sur "**AUTO**" ou "**OFF**". (Le réglage usine est "**AUTO**". Reportez-vous au paragraphe "**Réglage du défilement d'un titre**" de la section "**Démarches communes à chaque mode**".)

#### ● Si vous réglez sur "AUTO"

Le titre continue automatiquement à défiler.

#### ● Si vous réglez sur "OFF"

Appuyez sur la touche **[T]** pour faire défiler le titre.

### Sélection d'un CD/MD

Tournez le bouton **[PRESET]** dans le sens horaire ou anti-horaire pour sélectionner un CD ou un MD.

- \* Utilisez pour sélectionner le numéro du disque chargé et commencer la lecture.

### Sélection d'une plage

#### ● Plage suivante

1. Appuyez sur la touche [▶▶] pour aller au début de la plage suivante.
2. Chaque fois que vous appuyez sur la touche [▶▶], la plage avance jusqu'au début de la plage suivante.

#### ● Plage précédente

1. Appuyez sur la touche [◀◀] pour aller au début de la plage actuelle.
2. Appuyez deux fois sur la touche [◀◀] pour aller au début de la plage précédente.

### Avance rapide/retour rapide

#### ● Avance rapide

Maintenez la touche [▶▶] enfoncé pendant 1 seconde ou plus.

#### ● Retour rapide

Maintenez la touche [◀◀] enfoncé pendant 1 seconde ou plus.

### Lecture des introductions

La lecture des introductions recherche et lit automatiquement les 10 premières secondes de chacune des plages d'un disque. Cette fonction se poursuit sur tout le disque jusqu'à ce que vous l'annuliez.

\* La lecture des introductions est très utile pour rechercher la plage de votre choix.

1. Appuyez sur la touche [SCN] pour commencer la lecture des introductions de plage. "T-SCAN" s'allume sur l'afficheur.
2. Pour annuler la lecture des introductions, appuyez à nouveau sur la touche [SCN]. "T-SCAN" s'éteint sur l'afficheur et la lecture de la plage en cours continue.

### Balayage de tous les disques

Le balayage de tous les disques recherche et lit automatiquement les 10 premières secondes de chaque plage de tous les disques du changeur de CD/MD sélectionné. Cette fonction se poursuit automatiquement jusqu'à ce que vous l'annuliez.

\* Le balayage de tous les disques est pratique pour rechercher un disque.

1. Maintenez la touche [SCN] enfoncée pendant 1 seconde ou plus. "DISC▶" et "D-SCAN" s'allument sur l'afficheur.

2. Pour annuler le balayage de tous les disques, appuyez à nouveau sur la touche [SCN]. "DISC▶" et "D-SCAN" disparaissent de l'afficheur et la lecture normale du disque reprend à la plage en cours.

### Lecture répétée

La lecture répétée vous permet de relire la plage en cours indéfiniment. Cette fonction se poursuit automatiquement jusqu'à ce que vous l'annuliez.

1. Appuyez sur la touche [RPT]. "T-REPEAT" s'allume sur l'afficheur et la plage en cours est répétée.
2. Pour annuler la lecture répétée, appuyez à nouveau sur la touche [RPT]. "T-REPEAT" s'éteint sur l'afficheur et la lecture normale reprend.

### Lecture répétée d'un disque

Lorsque toutes les plages du disque en cours ont été lues, la lecture répétée d'un disque relit automatiquement le disque en cours depuis la première plage. Cette fonction se poursuit automatiquement jusqu'à ce que vous l'annuliez.

1. Maintenez la touche [RPT] enfoncée pendant 1 seconde ou plus. "DISC▶" et "D-REPEAT" s'allument sur l'afficheur et la lecture répétée du disque commence.
2. Pour annuler la lecture répétée d'un disque, maintenez à nouveau la touche [RPT] enfoncée. "DISC▶" et "D-REPEAT" s'éteignent sur l'afficheur et la lecture normale reprend à partir de la plage en cours.

### Lecture aléatoire

La lecture aléatoire permet de sélectionner et de lire des plages individuelles du disque dans un ordre au hasard. Cette fonction se poursuit automatiquement jusqu'à ce que vous l'annuliez.

1. Appuyez sur la touche [RDM]. "T-RANDOM" s'allume sur l'afficheur, une plage est sélectionnée au hasard et la lecture commence.
2. Pour annuler la lecture aléatoire, appuyez à nouveau sur la touche [RDM]. "T-RANDOM" disparaît de l'afficheur et la lecture normale reprend.

### **Lecture aléatoire de tous les disques**

La lecture aléatoire de tous les disques permet de sélectionner et de lire automatiquement des plages ou des disques individuels dans un ordre au hasard. Cette fonction se poursuit automatiquement jusqu'à ce que vous l'annuliez.

1. Maintenez la touche **[RDM]** enfoncée pendant 1 seconde ou plus. "DISC" et "D-RANDOM" s'allument sur l'afficheur et la lecture aléatoire de tous les disques commence.
2. Pour annuler la lecture aléatoire de tous les disques, maintenez à nouveau la touche **[RDM]** enfoncée. "DISC" et "D-RANDOM" s'éteignent sur l'afficheur et la lecture normale reprend à la plage en cours.

### **Fonctions du tuner TV**

Si vous raccordez un tuner TV en option via le câble CeNET, cet appareil pourra piloter toutes les fonctions du tuner TV. Pour pouvoir regarder la télévision, vous devez avoir un tuner TV et un moniteur.

### **Réception d'une émission de télévision**

1. Appuyez sur la touche **[FNC]** et sélectionnez le mode TV.
2. Appuyez sur la touche **[BND]** pour sélectionner la gamme TV voulue (TV1 ou TV2). Chaque fois que vous appuyez sur la touche, l'entrée commute alternativement entre TV1 et TV2.
3. Appuyez sur la touche **[◀◀]** ou **[▶▶]** pour accorder la chaîne de télévision.

### **Lecture d'une cassette vidéo**

Le tuner TV possède une borne d'entrée de magnétoscope (VTR) qui permet de raccorder un appareil externe. Raccordez un lecteur de cassette vidéo (VCP) ou un magnétoscope (VCR) 12 V à la borne d'entrée de tuner TV.

1. Appuyez sur la touche **[RDM]** pour sélectionner VTR.
2. Pour revenir à l'émission de télévision, appuyez sur la touche **[RDM]**.

### **Syntonisation**

Il existe 3 modes de syntonisation au choix: la syntonisation automatique, la syntonisation manuelle, et la syntonisation des stations pré-réglées.

### **Accord automatique**

1. Appuyez sur la touche **[BND]** et sélectionnez la gamme de télévision (TV1 ou TV2).
  - \* Si "MANU" est allumé sur l'afficheur, maintenez la touche **[BND]** enfoncée pendant 1 seconde ou plus. "MANU" s'éteint sur l'afficheur et la syntonisation automatique est possible.
2. Appuyez sur la touche **[◀◀]** ou **[▶▶]** pour accorder automatiquement la chaîne. Si vous appuyez sur la touche **[▶▶]**, la prochaine chaîne de télévision vers le haut de la plage de fréquence est accordée; si vous appuyez sur la touche **[◀◀]**, la chaîne est recherchée vers le bas de la plage.

### Accord manuel

Il existe 2 méthodes au choix: L'accord rapide, et l'accord par paliers.

En mode d'accord par paliers, la chaîne est recherchée palier par palier; en mode d'accord rapide, la chaîne est recherchée rapidement.

1. Appuyez sur la touche **[BND]** et sélectionnez la gamme (TV1 ou TV2).

\* Si "**MANU**" n'est pas allumé sur l'afficheur, maintenez la touche **[BND]** enfoncée pendant 1 seconde ou plus. "**MANU**" s'allume et la syntonisation manuelle est possible.

2. Accordez la chaîne.

#### ● Accord rapide:

Maintenez la touche [**<<**] ou [**>>**] enfoncée pendant 1 seconde ou plus pour accorder la chaîne.

#### ● Accord par paliers:

Appuyez sur la touche [**<<**] ou [**>>**] pour accorder la chaîne manuellement.

### Rappel d'une chaîne préregistrée

Il est possible de mémoriser jusqu'à 12 chaînes de télévision (6 TV1 et 6 TV2). Ceci vous permet d'enregistrer vos chaînes de télévision favorites pour les rappeler en toute facilité.

1. Appuyez sur la touche **[BND]** et sélectionnez la gamme TV (TV1 ou TV2).
2. Pour rappeler une station de télévision mémorisée, tournez le bouton **[PRESET]** dans le sens horaire ou anti-horaire de manière à sélectionner cette station.

### Préréglage manuel des stations

1. Sélectionnez la station souhaitée par l'accord automatique, l'accord manuel ou l'accord des stations préregistrées.
2. Appuyez sur la touche **[M]**.  
"**CH**" s'allume sur l'affichage.
3. Tournez le bouton **[PRESET]** dans le sens horaire ou anti-horaire pour sélectionner la mémoire de pré-réglage souhaitée.
4. Maintenez la touche **[M]** enfoncée pendant 2 secondes ou plus pour stocker la station dans la mémoire de pré-réglage.

### Mémorisation automatique

La mémorisation automatique sélectionne automatiquement 6 chaînes de télévision et elle enregistre chacune d'elle dans une adresse mémorisée.

Si il n'y a pas 6 chaînes dont la qualité de réception soit satisfaisante, les chaînes préalablement préregistrées dans la mémoire seront conservées. Seules les chaînes puissantes seront préregistrées.

1. Appuyez sur la touche **[BND]** et sélectionnez la gamme TV (TV1 ou TV2).
2. Maintenez la touche **[SCN]** enfoncée pendant 2 secondes ou plus. Les stations permettant une bonne réception sont automatiquement stockées dans la mémoire de pré-réglage.

### Balayage des chaînes préregistrées

Le balayage des chaînes préregistrées permet de voir chaque chaîne avant de passer automatiquement à la suivante. Cette fonction est pratique pour rechercher la chaîne de téléviseur mémorisé de votre choix.

1. Appuyez sur la touche **[SCN]**.
2. Quand le tuner a repéré la chaîne, appuyez à nouveau sur la touche **[SCN]** pour activer la réception de cette chaîne.

#### Remarque:

• *Faites attention de ne pas maintenir la touche **[SCN]** enfoncée pendant 2 secondes ou plus, car la fonction de pré-réglage automatique des chaînes entrerait en service et l'appareil commencerait à mémoriser les chaînes.*

### Réglage du diver TV

Vous pouvez changer le réglage de réception de l'antenne TV raccordée au tuner TV.

1. Maintenez la touche **[T]** enfoncée pendant 1 seconde ou plus pour passer à l'affichage de sélection de réglage.
2. Appuyez sur la touche [**<<**] ou [**>>**] pour sélectionner "**TV DIVER**".
3. Tournez le bouton **[VOLUME]** dans le sens horaire pour activer ("**ON**") ou dans le sens anti-horaire pour désactiver ("**OFF**").

#### ● ON:

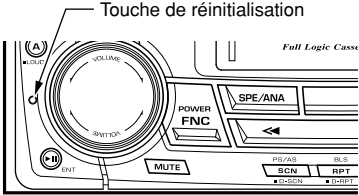
Règle la réception de façon à accentuer les images.

#### ● OFF:

Désactive le diver TV.

4. Appuyez sur la touche **[T]** pour revenir au mode précédent.

# 9. EN CAS DE DIFFICULTÉ

	Problème	Cause	Solution
Généralité	Pas d'alimentation. (Pas de son.)	Fusible sauté.	Remplacez le fusible par un autre de même ampérage. Si le fusible saute à nouveau, consultez votre magasin.
		Raccordement incorrect.	Consultez votre magasin.
	Pas de son lorsque les amplificateurs et l'antenne automatique sont raccordés.	Le fil de l'antenne automatique est court-circuité à la masse, ou un courant excessif est requis pour la télécommande des amplificateurs et de l'antenne automatique.	<ol style="list-style-type: none"> <li>1. Mettez l'appareil hors tension.</li> <li>2. Retirez tous les fils raccordés au fil d'antenne automatique. Vérifiez chaque fil pour voir s'il n'est pas court-circuité à la masse à l'aide d'un ohmmètre.</li> <li>3. Remettez l'appareil sous tension.</li> <li>4. Raccordez chaque fil de télécommande d'amplificateur au fil d'antenne automatique un par un. Si les amplificateurs s'éteignent avant que tous les fils ne soient raccordés, utilisez un relais externe pour obtenir la tension de commande à distance nécessaire (courant excessif requis).</li> </ol>
Généralité	Rien ne se passe quand on appuie sur les touches.  L'affichage est incorrect.	Mauvais fonctionnement du microprocesseur à cause du bruit, etc.	<p>Appuyez sur la touche de réinitialisation avec une petite tige.</p> 
	Impossible de charger le disque.	Il y a déjà un disque dans le tiroir.	Ejectez le disque avant d'en mettre un autre.
CD	Interruptions du son ou parasites.	Le disque est sale.	Nettoyez le disque avec un chiffon doux.
		Le disque est fortement rayé ou gondolé.	Remplacez-le par un disque sans rayures.
Cassette	Le son se détériore tout de suite après la mise sous tension.	Des gouttelettes d'eau risquent de se former sur la lentille interne si la voiture a été garée dans un lieu humide.	Allumez l'appareil et laissez-le sécher pendant environ 1 heure.
	Son médiocre	La lecture de lecture est sale.	Nettoyez la tête à l'aide d'une cassette de nettoyage, etc.
		La touche <b>[RDM]</b> n'est pas enfoncée.	Pour lire une cassette enregistrée avec le réducteur de bruit Dolby B, appuyez sur la touche <b>[RDM]</b> et sélectionnez B NR.



# 10. AFFICHAGE DES ERREURS

S'il se produit une erreur, l'un des affichages suivants apparaît. Prenez les mesures expliquées ci-dessous pour résoudre le problème.

	Affichage d'erreur	Cause	Mesure
CD	<b>ERROR 2</b>	Le disque est coincé à l'intérieur du lecteur de CD et qu'il ne s'éjecte pas.	Ceci est une anomalie du mécanisme du lecteur CD. Consultez votre magasin.
	<b>ERROR 3</b>	La lecture du disque est impossible parce qu'il est rayé, etc.	Remplacez-le par un disque non rayé et non gondolé.
	<b>ERROR 6</b>	Le disque est chargé à l'envers dans le lecteur CD et la lecture est impossible.	Ejectez le disque et rechargez-le correctement.
Cassette	<b>ERROR 1</b>	La lecture de la bande est impossible à cause d'un défaut de la bande (coupure, etc).	Ejectez la cassette et remplacez-la par une neuve.
	<b>ERROR 2</b>	La bande est coincée et la lecture est impossible.	Retirez la bande coincée ou bobinée.
	<b>ERROR 4</b>	Détection impossible du mode cassette.	Ceci est une anomalie du mécanisme de la cassette. Consultez votre magasin.
	<b>ERROR 8</b>	S'affiche lorsque la bande est coincée et qu'elle ne peut être éjectée.	Supprimez la raison pour laquelle la bande est coincée.
Changeur de CD	<b>ERROR 2</b>	Le disque à l'intérieur du changeur de CD n'est pas chargé.	Ceci est une anomalie du mécanisme du changeur de CD. Consultez votre magasin.
	<b>ERROR 3</b>	La lecture du disque à l'intérieur du changeur de CD est impossible parce qu'il est rayé.	Remplacez-le par un disque non rayé et non gondolé.
	<b>ERROR 6</b>	La lecture du disque à l'intérieur du changeur de disque est impossible parce qu'il est chargé à l'envers.	Ejectez le disque et rechargez-le correctement.
Changeur de MD	<b>ERROR H</b>	S'affiche lorsque la température à l'intérieur du changeur de MD est trop élevée et que la lecture s'est arrêtée automatiquement.	Réduisez la température ambiante ou attendez quelques instants que le changeur de MD ait refroidi.
	<b>ERROR 2</b>	Il n'y a pas de MD à l'intérieur du changeur de MD.	Il s'agit d'une anomalie du mécanisme du changeur de MD; consultez le magasin où vous avez acheté l'appareil.
	<b>ERROR 3</b>	La lecture du MD à l'intérieur du changeur de MD est impossible parce qu'il est rayé, etc. played due to scratches, etc.	Remplacez le disque par un disque non rayé.
	<b>ERROR 6</b>	La lecture du MD à l'intérieur du changeur de MD est impossible parce qu'il est mis à l'envers.	Ejectez le disque, puis rechargez-le correctement.
		S'affiche si vous avez chargé un MD non enregistré dans le changeur de MD.	Chargez un MD enregistré dans le changeur de MD.

Si un affichage d'erreur autre que ceux décrits ci-dessus apparaît, appuyez sur la touche de réinitialisation. Si le problème persiste, mettez l'appareil hors tension et consultez votre magasin.

# 11. SPÉCIFICATIONS

## **Tuner FM**

Plage de fréquence:  
87,9 MHz à 107,9 MHz

Sensibilité utilisable:  
11 dBf

Seuil de sensibilité à 50 dB:  
17 dBf

Sélectivité de canal de substitution:  
75 dB

Séparation stéréo (1 kHz):  
35 dB

Réponse en fréquence ( $\pm 3$  dB):  
30 Hz à 15 kHz

## **Tuner AM**

Plage de fréquence:  
530 kHz à 1.710 kHz

Sensibilité utilisable:  
25  $\mu$ V

## **Lecteur CD**

Réponse en fréquence ( $\pm 1$  dB):  
10 Hz à 20 kHz

Rapport signal/bruit (1 kHz):  
100 dB

Plage dynamique (1 kHz):  
95 dB

Distorsion harmonique:  
0,01%

## **Platine à cassette**

Pleurage et scintillement (WRMS):  
0,06%

Séparation des canaux (1 kHz):  
45 dB

Réponse en fréquence ( $\pm 3$  dB)  
120  $\mu$ s (normal): 30 Hz à 18 kHz  
70  $\mu$ s (CrO<sub>2</sub>, FeCr, métal): 30 Hz à 20 kHz

Rapport signal sur bruit  
70  $\mu$ s (CrO<sub>2</sub>, FeCr, métal): 58 dB  
Dolby B: 67 dB

## **Audio**

Puissance de sortie maximale:  
200 W (50 W  $\times$  4 canaux) (JEITA)

Puissance de sortie moyenne continue:  
16 W  $\times$  4, à 4 ohms, 20 Hz à 20 kHz, DHT 1%

Plage de variation des graves (30 Hz):  
 $\pm 13$  dB

Plage de variation des aigus (10 kHz):  
 $\pm 10$  dB

Niveau de sortie de ligne (CD 1 kHz):  
1,8 V

## **Données générales**

Tension d'alimentation:  
CC 14,4 V (10,8 V à 15,6 V admissible),  
masse négative

Consommation:  
Inférieure à 15 A

Impédance de haut-parleurs:  
4  $\Omega$  (4  $\Omega$  à 8  $\Omega$  admissible)

Poids / Appareil pilote:  
5,7 lb (2,6 kg)

Poids / Télécommande:  
1 oz. (30 g) (avec la pile)

Dimensions / Appareil pilote:  
7" (178mm) largeur  $\times$  3-15/16" (100mm)  
hauteur  $\times$  6-1/8" (155mm) profondeur

Dimensions / Télécommande :  
1-3/4" (44mm) largeur  $\times$  4-5/16" (110mm)  
hauteur  $\times$  1-1/8" (27mm) profondeur

## **Remarques:**

- Les spécifications respectent les normes JEITA.
- La conception et les spécifications sont sujettes à modification sans préavis pour des raisons d'amélioration.

Muchas gracias por la adquisición de producto del **Clarion**.

- \* Antes de utilizar este equipo, lea detenidamente este manual de instrucciones.
- \* Después de leer el manual, téngalo siempre a mano (por ej., en la guantera).
- \* Verifique el contenido de la tarjeta de garantía suministrada y guárdela junto con este manual.
- \* Este manual incluye los procedimientos de operación del cambiador de CD, del cambiador de MD y del TV conectados a través del cable CeNET. El cambiador de CD, el cambiador de MD y el sintonizador de TV tienen sus propios manuales, pero no contienen las explicaciones sobre su operación.

# Índice

---

<b>1. CARACTERÍSTICAS</b> .....	56
<b>2. PRECAUCIONES</b> .....	57
<b>3. CONTROLES</b> .....	5
<b>4. NOMENCLATURA</b> .....	58
Nombres de los botones y sus funciones .....	58
Operaciones de los principales botones cuando se haya conectado un equipo externo a esta unidad .....	59
Ítems de visualización .....	60
<b>5. PRECAUCIONES DE MANEJO</b> .....	61
Manejo de los discos compactos .....	61
Manejo de los casetes .....	61
<b>6. CONTROLADOR REMOTO</b> .....	62
Inserción de las pilas .....	62
Funciones de los botones del controlador remoto .....	63
<b>7. OPERACIONES</b> .....	64
Operaciones básicas .....	64
Operaciones de la radio .....	66
Operaciones del CD .....	67
Operaciones del casete .....	69
Operaciones del DSP/EQ .....	71
Operación común para cada modo .....	72
<b>8. OPERACIONES DE LOS ACCESORIOS</b> .....	74
Operaciones del cambiador de discos compactos/minidiscos .....	74
Operaciones del televisor .....	76
<b>9. EN CASO DE DIFICULTAD</b> .....	78
<b>10. INDICACIONES DE ERROR</b> .....	79
<b>11. ESPECIFICACIONES</b> .....	80

# 1. CARACTERÍSTICAS

- Filtro digital con sobremuestreo óctuple y convertidores D/A dobles de 1 bit
- Circuito de silenciamiento con Zero-Bit Detector™
- Transporte de cinta totalmente lógico con función real/Inversión automática con doble ajuste de acimut
- Reducción de ruidos Dolby® B
- Systema de recepción de FM **MAGI-TUNE®**
- Controlador para módulos opcionales para sintonizador de TV
- Capacidad para leer datos de CD TEXT de los cambiadores de CD compatibles con Clarion
- 5 memorias de campos sonoros digitales programadas y 4 memorias de ecualizador gráfico programadas
- CeNET con transmisión de línea de audio equilibrada y cancelación dinámica del ruido
- Visualizador fluorescente de colores múltiples y gran visibilidad
- Salida de nivel de línea para 4 canales RCA con control de balance de los canales delanteros/traseros

## 2. PRECAUCIONES

1. Si el interior del automóvil está muy frío y utiliza el reproductor inmediatamente después de encender el calefactor, se podría condensar humedad en el disco o en las piezas ópticas del reproductor y resultar imposible una reproducción apropiada. Si se condensa humedad en el disco, frótele con un paño seco. Si se condensa humedad en las piezas ópticas del reproductor, no lo utilice hasta aproximadamente después de una hora. La condensación se evapora de forma natural para permitir una operación normal.
2. La conducción por caminos accidentados que causen sacudidas bruscas podría producir saltos de sonido.
3. Esta unidad utiliza un mecanismo de precisión. Aunque se produzca un problema, no abra nunca la caja, no desarme la unidad ni lubrique las piezas de rotación.

Este equipo ha sido sometido a pruebas y se ha determinado que cumple con los límites establecidos para los dispositivos digitales de Clase B, de conformidad con la Parte 15 de las reglas de la FCC.

Estos límites han sido establecidos para proporcionar una protección razonable contra interferencias perjudiciales en las instalaciones residenciales.

Este equipo genera, utiliza, y puede producir energía de radiofrecuencia y, si no se instala ni utiliza de acuerdo con las instrucciones, puede causar interferencias perjudiciales en las radiocomunicaciones. Sin embargo, no se garantiza que estas interferencias no se produzcan en una instalación determinada.

Si este equipo produce interferencias perjudiciales en la recepción de radio o de televisión, lo cual puede determinarse fácilmente con sólo apagar y volver a encender el equipo, consulte a su distribuidor o a un técnico experto en radio/televisión.

### PRECAUCIÓN

**EL USO DE CONTROLES, LA REALIZACIÓN DE AJUSTES O DE PROCEDIMIENTOS DISTINTOS DE LOS ESPECIFICADOS EN LA PRESENTE IMPLICA EL RIESGO DE EXPOSICIÓN A RADIACIÓN PELIGROSA.**

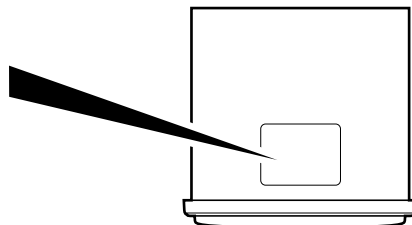
**EL REPRODUCTOR DE DISCOS COMPACTOS SÓLO DEBEN SER AJUSTADOS O REPARADOS POR PERSONAL DE SERVICIO DEBIDAMENTE CUALIFICADO.**

**LOS CAMBIOS O MODIFICACIONES NO APROBADOS EXPRESAMENTE POR EL FABRICANTE PUEDEN ANULAR LA AUTORIDAD DEL USUARIO PARA OPERAR ESTE EQUIPO.**

#### **INFORMACIÓN PARA LOS USUARIOS:**

**LOS CAMBIOS O MODIFICACIONES REALIZADOS EN ESTE PRODUCTO QUE NO ESTÉN APROBADOS POR EL FABRICANTE ANULARÁN LA GARANTÍA Y VIOLARÁN LA APROBACIÓN DE LA FCC.**

MODEL	<input type="text"/>	clarion
<b>12V  GROUND</b> <b>AM 530-1710kHz/FM 87.9-107.9MHz</b>		
<small>This device complies with Part 15 of the FCC Rules. Operation is subject to the following two conditions: (1) This device may not cause harmful interference, and (2) This device must accept any interference received, including interference that may cause undesired operation.</small>		
<small>This Production complies DHHS Rules 21 CFR subchapter J applicable at date of manufacture.</small>		
<small>CLARION CO., LTD. 50 KAMITODA, TODA-SHI, SAITAMA-KEN, JAPAN.</small>		
MANUFACTURED:		
<small>Dolby noise reduction manufactured under license from Dolby Laboratories Licensing Corporation. "DOLBY" and the double-D symbol are trademarks of Dolby Laboratories Licensing Corporation.</small>		
<b> 051 722 877</b>		
<small>SERIAL No. PE: *****</small>	<small>888-***** Clarion Co., Ltd. MADE IN *****</small>	



Vista inferior de la unidad fuente

# 4. NOMENCLATURA

## Nota:

- Asegúrese de leer este capítulo consultando los diagramas de la parte delantera del capítulo "3. CONTROLES" en la página 5 (desdoblada).

## Nombres de los botones y sus funciones

### [REMOTE]

- Receptor para la unidad del controlador remoto.

### Botón [SPE/ANA]

- Cambia la indicación del visualizador (visualización principal, visualización secundaria, visualización del reloj).

### [TAPE IN]

- Ranura de inserción del casete.

### [CD IN]

- Ranura de inserción de CD.

### Botón [ISR]

- Llama la emisora de radio ISR almacenada en la memoria. Manteniéndolo pulsado durante 2 segundos o más: Almacena la emisora actual en la memoria ISR (sólo en el modo de radio).

### Botón [TAPE EJECT]

- Expulsión del casete.

### Botón [CD EJECT]

- Expulsión del CD.

### Botón [DSP]

- Presiónelo para seleccionar el menú DSP y para activar/desactivar (ON/OFF) los efectos DSP.

### Botón [T]

- Utilícelo para introducir un título el modo de reproductor de discos CD.
- Manténgalo presionado durante 1 segundo o más para entrar en el modo de ajuste.

### Botón [M]

- Se emplea para cambiar y almacenar los elementos en la memoria de preajustes.

### Mando [PRESET]

- Almacena una emisora en la memoria, o la invoca directamente en el modo de la radio.
- En el modo DSP/EQ, se emplea para seleccionar el menú.
- En los modos de ajuste, se emplea para seleccionar los elementos que deben ajustarse.

## Nota:

Para operar el mando [PRESET]:

- Gire el mando unos 30 grados (cambiará el elemento ajustado).
- Suelte el dedo (el mando retornará a su posición original).
- Gire el mando otra vez (cambiará el elemento ajustado).

### Botón [DISP]

- Cambia la visualización (visualización principal, visualización del reloj).

### Botón [BND]

- Cambia la banda, o la sintonía con búsqueda, o la sintonía manual durante el modo de la radio.
- En el modo de reproductor de discos CD, reproduce la primera canción.
- En el modo de cintas, cambia la cara reproducida (dirección de desplazamiento de la cinta).

### Botón [RDM]

- Activa la reproducción aleatoria el modo de reproductor de discos CD.
- Seleccione el modo de reducción de ruido Dolby.

### Botón [RPT]

- Efectúa la reproducción repetidamente durante el modo de discos CD.
- En el modo de cintas, permite la repetición de la reproducción. Cuando se mantiene presionado durante uno o más segundos, activa el modo de salto de espacios en blanco.

### Botón [SCN]

- Activa la exploración de emisoras almacenadas en el modo de la radio. Si lo mantiene presionado, se realizará el almacenamiento automático de emisoras.
- En el modo de reproductor de discos CD, realiza la reproducción con exploración durante 10 segundos de cada canción.

### Botones [◀], [▶]

- Selecciona emisoras en el modo de la radio o canciones durante la escucha de un disco CD. Estos botones se utilizan también para realizar varios ajustes.

### Botón [FNC]

- Presiónelo para conectar la alimentación. Manténgalo presionado durante 1 segundo o más para desconectar la alimentación.
- Cambia el modo de operación al de la radio, etc.

### Botón [MUTE]

- Activa y desactiva el silenciamiento.

## **Mondo [VOLUME]**

- Ajuste el volumen girando el mando hacia la derecha o la izquierda.
- Utilice el mando para realizar varios ajustes.

## **Botón [▶II]**

- Activa la reproducción o el modo de pausa en el modo de reproductor de discos CD.
- Después de haber seleccionado diversas opciones de ajuste, presione este botón para confirmar los ajustes.

## **Botón [RESET]**

- Presiónelo en las condiciones siguientes.
  1. No sucede nada al pulsar los botones.
  2. La visualización no es precisa.

## **Botón [A]**

- Manténgalo presionado durante 1 segundo o más para activar/desactivar la sonoridad.
- Utilícelo para cambiar el modo de audio (ajuste de graves/medios, equilibrio entre altavoces derechos e izquierdos/delanteros y traseros).

## **Botón [EQ]**

- Presiónelo para seleccionar el menú EQ y/o para activar/desactivar (ON/OFF) los efectos EQ.

## ***Operaciones de los principales botones cuando se haya conectado un equipo externo a esta unidad***

### **● Cuando haya conectado un cambiador de discos compactos/ minidiscos**

- \* Con respecto a los detalles, consulte la sección **“Operaciones del cambiador de discos compactos/minidiscos”**.

#### **Botón [SCN]**

- Realiza la reproducción con exploración durante 10 segundos de cada canción. Si lo mantiene presionado, se realizará la reproducción con exploración de discos.

#### **Botón [RPT]**

- Realiza la reproducción repetida. Si lo mantiene presionado, realizará la reproducción repetida de disco.

#### **Botón [RDM]**

- Realiza la reproducción aleatoria. Si lo mantiene presionado, realizará la reproducción aleatoria de disco.

## **Mondo [PRESET]**

- Se utiliza para seleccionar el número del disco insertado, y para iniciar la reproducción.

## **Botón [DISP]**

- Si lo mantiene presionado en el modo de cargador de discos MD, cambiará los títulos de los discos o de las canciones.
- Si lo mantiene presionado en el modo de cambiador de discos CD, cambiará los títulos de usuario, los títulos de canciones, etc.

## **Botón [T]**

- Utilícelo para introducir un título en el modo de cambiador de discos CD.
- Utilícelo para desplazar el título durante la reproducción de un disco CD de texto o la de un disco del cambiador de discos MD en el modo de cambiador de discos CD.

## **Botón [▶II]**

- Pone en reproducción o el modo de pausa un disco CD o MD.

## **Botones [◀◀], [▶▶]**

- Seleccionan canciones durante la escucha de un disco.

## **Botón [BND]**

- Pone en reproducción la primera canción.

### **● Cuando haya conectado un televisor**

- \* Con respecto a los detalles, consulte la sección **“Operaciones del televisor”**.

#### **Botón [SCN]**

- Activa la exploración de emisoras almacenadas en el modo de la televisor. Si lo mantiene presionado, se realizará el almacenamiento automático de emisoras.

#### **Mondo [PRESET]**

- Almacena una emisora en la memoria o la invoca directamente.

#### **Botones [◀◀], [▶▶]**

- Seleccionan emisoras.

#### **Botón [BND]**

- Cambia la banda.
- Si mantiene presionado el botón, cambiará la sintonía con búsqueda o el modo manual

**DISC** : Indicación de disco

**RPT** : Indicación de reproducción repetida

**RDM** : Indicación de reproducción aleatoria

**BLS** : Indicación de salto de espacios en blanco (BLS)

**B NR** : Indicación de reducción de ruido Dolby NR (B NR)

**MANU** : Indicación de sintonía manual

**DSF** : Indicación de DSF

**G.EQ** : Indicación de G.EQ

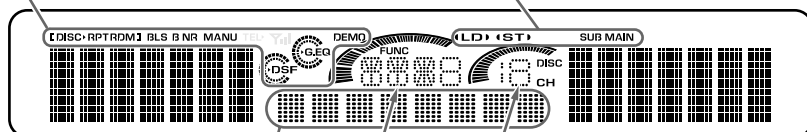
**DEMO** : Indicación de DEMO (SPE-ANA)

**LD** : Indicación de sonoridad

**ST** : Indicación de estéreo

**SUB** : Indicación de secundario (SUB)

**MAIN** : Indicación de principal (MAIN)



Indicación de canal memorizado (1 a 6)  
Indicación de número de disco (1 a 12)


Indicación de modo de función  
• Los nombres de los modos seleccionados, etc., se visualizarán.

Indicación de estado de operación  
• Se visualizará la frecuencia, el tipo de programa (PTY), el tiempo de reproducción, el reloj (CT), etc.



# 5. PRECAUCIONES DE MANEJO

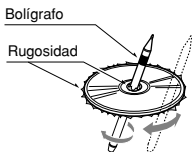
## Manejo de los discos compactos

Utilice solamente discos compactos que posean la marca .

No reproduzca discos compactos en forma de corazón, octogonales, ni de ninguna otra forma especial.

### Manejo

• Los discos nuevos pueden presentar cierta aspereza en los bordes. El uso de este tipo de discos puede causar interrupciones en el sonido. Use un bolígrafo, etc., para eliminar la aspereza del borde del disco.



- Nunca adhiera etiquetas sobre la superficie del disco compacto ni marque la superficie con un lápiz o un bolígrafo.
- No reproduzca nunca un disco compacto con una cinta adhesiva u otros pegamentos, ni con las marcas despegadas. Si intenta reproducir un disco compacto en tal estado, podría suceder que no consiga expulsarlo del reproductor de CD o que se produzcan daños al mismo.
- No utilice discos compactos demasiado rayados, deformados, agrietados, etc. El uso de discos en tal estado podrá causar daños o fallas de funcionamiento.
- Para sacar el disco compacto de su estuche, presione el centro del estuche y saque el disco hacia arriba, sosteniéndolo cuidadosamente por los bordes.

- No use hojas de protección de CD o discos equipados con estabilizadores, etc., que se venden en el comercio. Estos elementos podrían dañar al disco o producir una avería en el mecanismo interno.

### Almacenamiento

- No exponga los discos compactos a la luz solar directa ni a fuentes térmicas.
- No deje los discos compactos en ambientes excesivamente húmedos o polvorientos.
- No exponga los discos compactos al calor de los aparatos de calefacción.

### Limpieza

- Para quitar las huellas digitales y el polvo, utilice un paño suave y limpie el disco con un movimiento recto desde el centro hacia el borde exterior.
- No utilice solventes tales como limpiadores, pulverizadores antiestáticos o diluyentes en venta en el comercio para limpiar discos compactos.
- Después de utilizar un limpiador de discos compactos especial, deje que el disco compacto se seque completamente antes de reproducirlo.

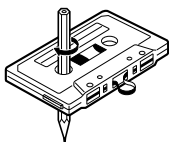
## Manejo de los casetes

El empleo de cualquiera de los siguientes tipos de casetes puede producir fallas de funcionamiento.

- Casetes con bajos niveles de grabación
- Casetes con secciones sin grabar entre las pistas de menos de 4 segundos
- Casetes con ruidos o similares grabados entre las pistas
- Casetes con secciones largas sin grabar en el medio de una pista

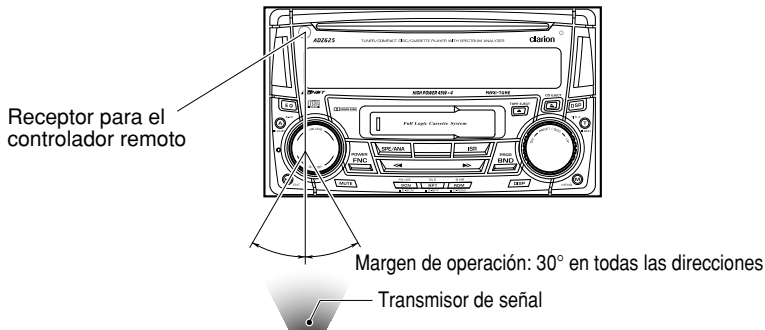
### Precauciones de manejo

- Una cinta floja puede producir fallas de funcionamiento. Tense la cinta antes de insertarla en el reproductor de casetes. Especialmente tenga cuidado con los casetes pregrabados y las cintas de 90 minutos.

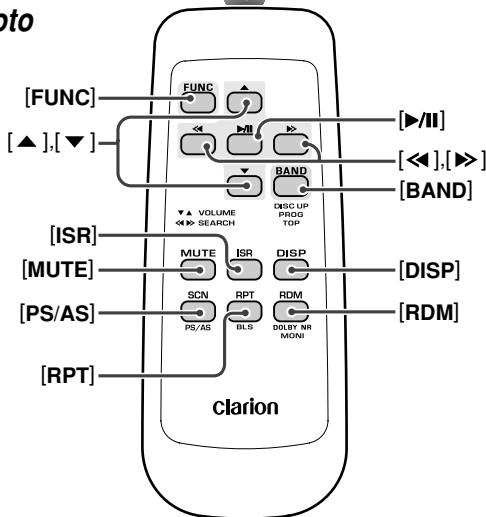


- Evite usar casetes de 120 minutos o más largos. (Puesto que la cinta de tales casetes es muy fina, podría estirarse o romperse).
- Limpie periódicamente las cabezas reproduciendo un casete limpiador.
- Mantenga alejados de los casetes y de las cabezas del reproductor los imanes y otros objetos magnéticos, así como destornilladores u otros objetos de hierro y acero.
- No engrase el mecanismo del casete.
- No utilice ningún casete que tenga las etiquetas despegadas o que esté deformado. Tales casetes pueden producir averías.
- Cuando no esté usando el reproductor, saque siempre el casete del mecanismo. La exposición a la luz solar directa, a temperaturas extremas o a la alta humedad podría dañar el casete.

# 6. CONTROLADOR REMOTO



## Controlador remoto



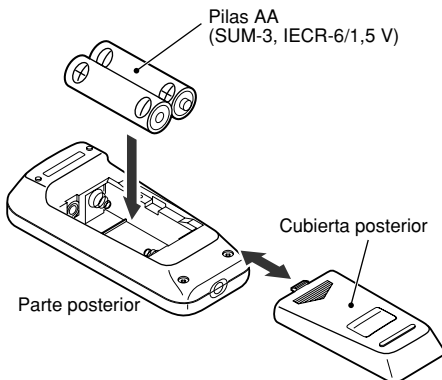
## Inserción de las pilas

1. Dé la vuelta al controlador remoto, y después deslice la cubierta posterior en el sentido de la flecha.
2. Inserte las pilas AA (SUM-3, IECR-6/1,5 V) suministradas con el controlador remoto en el sentido mostrado en la figura, y después cierre la cubierta posterior.

### Notas:

La utilización inadecuada de las pilas puede provocar su explosión. Tenga en cuenta los puntos siguientes:

- Cuando reemplace las pilas, cambie ambas por otras nuevas.
- No cortocircuite, desarme, ni caliente las pilas.
- No tire las pilas al fuego.
- Tire las pilas agotadas en el lugar apropiado.



# Funciones de los botones del controlador remoto

Modo Botón	Radio	Cinta	Reproductor de discos compactos/ minidiscos	Cambiador de discos compactos/minidiscos	Televisor
[FUNC]	Cambia entre la radio, reproductor de discos compactos, las cintas, el cambiador de discos compactos, el cambiador de minidiscos y el televisor.				
[BAND]	Cambio de la banda de recepción.	Cambia la cara de la cinta.	Reproducción de la primera canción. Reproducción desde el tope.	Movimiento al disco siguiente en orden ascendente.	Cambio de la banda de recepción.
[▲], [▼]	Aumento o reducción del volumen (en todos los modos).				
[◀], [▶]	Movimiento a canales memorizados superiores e inferiores.	Efectúa el avance rápido y el rebobinado de la cinta. Avance rápido y rebobinado APC.	Movimiento a canciones superiores e inferiores. Cuando lo mantenga presionado durante 1 segundo: Avance/retroceso rápido.	Movimiento a canales memorizados superiores e inferiores.	
[▶  ]	Sin función.	Cambio entre reproducción y pausa.	Cambio entre reproducción y pausa.	Sin función.	
[MUTE]	Activación y desactivación del silenciamiento.				
[ISR]	Llama la emisora de radio ISR almacenada en la memoria. Manteniéndolo pulsado durante 2 segundos o más: Almacena la emisora actual en la memoria ISR (sólo en el modo de radio).				
[DISP]	Cambio entre la visualización principal, la visualización secundaria, y la visualización del reloj (CT).				
[SCN]	Exploración de emisoras memorizadas. Cuando lo mantenga presionado durante 2 segundos: Almacenamiento automático.	Exploración en avance rápido.	Reproducción con exploración.	Reproducción con exploración. Cuando lo mantenga presionado durante 1 segundo: Reproducción con exploración de discos.	Exploración de emisoras memorizadas. Cuando lo mantenga presionado durante 2 segundos: Almacenamiento automático.
[RPT]	Sin función.	Repetición de la reproducción. Cuando se presione y se mantiene presionado durante 1 segundo: Se activa y desactiva la función de salto de espacios en blanco.	Reproducción repetida.	Reproducción repetida. Cuando lo mantenga presionado durante 1 segundo: Reproducción repetida de discos.	Sin función.
[RDM]	Sin función.	Seleccione el modo de reducción de ruido Dolby.	Reproducción aleatoria.	Reproducción aleatoria. Cuando lo mantenga presionado durante 1 segundo: Reproducción aleatoria de discos.	Cambio entre televisor y videograbadora.

\* Algunos de los botones correspondientes de la unidad principal y del controlador remoto poseen funciones diferentes.

# 7. OPERACIONES

**Nota:** Asegúrese de leer este capítulo consultando los diagramas de la parte delantera del capítulo "3. CONTROLES" en la página 5 (desdoblada).

## Operaciones básicas

### ⚠ PRECAUCIÓN

Asegúrese de reducir el volumen antes de apagar la unidad o de desconectar la llave de contacto. La unidad retiene el último ajuste de volumen. Si llegara a desconectar la alimentación con el volumen ajustado al máximo, al volver a conectarla, el repentino estallido de energía acústica podrá dañar su oído o la unidad.

La hora del reloj se visualiza al girar la llave de contacto a la posición ACC (accesorios) o IGN (encendido) aunque la unidad esté apagada. En algunos automóviles, la hora del reloj podría desaparecer momentáneamente al girar la llave de contacto a la posición START (arranque). La hora volverá a aparecer tras arrancar el motor y regresar la llave de contacto a la posición IGN (encendido).

### Conexión/desconexión de la alimentación

#### Notas:

• Procure no utilizar esta unidad durante un tiempo prolongado con el motor apagado. Si llegara a descargarse la batería del automóvil, no podrá arrancar el motor y podrá acortarse la vida útil de la batería.

#### • Verificación del sistema

Esta unidad verifica cuál es el equipo externo conectado al CeNET. La primera vez que gire la llave a ACC/conecte el encendido (inicialización), parpadearán alternadamente "SYSTEM" y "Push PWR" en el visualizador. Pulse el botón [FNC] para iniciar la verificación del sistema. Al finalizar, pulse el botón [FNC] otra vez para activar la unidad hasta que en ésta aparezca CHECKING COMPLETE.

1. Pulse el botón [FNC].
2. La unidad se enciende y se ilumina el visualizador. La unidad recuerda automáticamente el modo de operación utilizado en último término y se ajusta automáticamente a ese modo, visualizándolo.
3. Pulse y mantenga pulsado el botón [FNC] durante 1 segundo o más para desconectar la alimentación de la unidad.

### Selección de los modos

1. Pulse el botón [FNC] para cambiar el modo de operación.
2. Cada vez que pulsa el botón [FNC], el modo de operación cambia en el orden siguiente:  
Modo de radio → Modo de CD → Modo del casete → Modo de cambiador de CD → Modo de cambiador de MD → Modo de TV → Modo de AUX → Modo de radio ...  
\* No se visualizará ningún equipo externo no conectado con CeNET.

### Ajuste del volumen

Gire el control [VOLUME] hacia la derecha para aumentar el volumen, y gírelo hacia la izquierda para reducir el volumen.

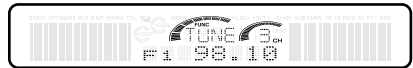
\* El nivel de volumen puede ajustarse entre 0 (mínimo) a 33 (máximo).

### Cambio de visualización

Pulse el botón [DISP] para seleccionar la visualización deseada.

Cada vez que pulsa el botón [DISP], la visualización cambia en el orden siguiente:

Visualización principal



Visualización secundaria (título)



Visualización del reloj (CT)



Visualización principal

- \* Una vez que seleccione la visualización preferida, la misma quedará ajustada como visualización por omisión. Cuando ajuste una función, como por ejemplo el volumen, la pantalla cambiará momentáneamente a esa visualización, pero regresará a la visualización preferida algunos segundos después de finalizar el ajuste.
- \* Cuando haya asignado un título a un CD, aparecerá en la visualización secundaria. Si no ha asignado un título, aparecerá **"NO-TTL"** en la visualización del título. Para los detalles sobre cómo asignar el título, consulte la subsección **"Introducción de títulos"** en **"Operación común para cada modo"**.
- \* Podrá escoger cómo desea desplazar un título. Para los detalles, consulte la subsección **"Ajuste del tipo de desplazamiento del título"** en **"Operación común para cada modo"**.

### Ajuste de los graves

1. Pulse el botón **[A]** y seleccione **"BASS"**.
2. Gire el control **[VOLUME]** hacia la derecha para acentuar los graves, y gírelo hacia la izquierda para atenuar los graves.
  - \* El ajuste de fábrica es **"0"**. (Margen de ajuste: -6 a +6)
3. Al finalizar el ajuste, pulse el botón **[A]** repetidas veces hasta llegar al modo de función.

### Ajuste de los agudos

1. Pulse el botón **[A]** y seleccione **"TREB"**.
2. Gire el control **[VOLUME]** hacia la derecha para acentuar los agudos, y gírelo hacia la izquierda para atenuar los agudos.
  - \* El ajuste de fábrica es **"0"**. (Margen de ajuste: -6 a +6)
3. Al finalizar el ajuste, pulse el botón **[A]** repetidas veces hasta llegar al modo de función.

### Ajuste del balance

1. Pulse el botón **[A]** y seleccione **"BAL"**.
2. Gire el control **[VOLUME]** hacia la derecha para acentuar el sonido del altavoz derecho, y gírelo hacia la izquierda para acentuar el sonido del altavoz izquierdo.
  - \* El ajuste de fábrica es **"0"**. (Margen de ajuste: L13 a R13)
3. Al finalizar el ajuste, pulse el botón **[A]** repetidas veces hasta llegar al modo de función.

### Ajuste del fader

1. Pulse el botón **[A]** y seleccione **"FAD"**.
2. Gire el control **[VOLUME]** hacia la derecha para acentuar el sonido de los altavoces delanteros, y gírelo hacia la izquierda para acentuar el sonido de los altavoces traseros.
  - \* El ajuste de fábrica es **"0"**. (Margen de ajuste: F12 a R12)
3. Al finalizar el ajuste, pulse el botón **[A]** repetidas veces hasta llegar al modo de función.

### Activado/desactivado de la sonoridad

El efecto de sonoridad acentúa los graves y los agudos para crear un tono acústico natural. Se recomienda activar el efecto de sonoridad cuando está escuchando música a volúmenes bajos.

1. Pulse y mantenga pulsado el botón **[A]** durante 1 segundo o más para activar el efecto de sonoridad. Una vez activado, **"LOUD"** se enciende en el visualizador.
2. Pulse y mantenga pulsado el botón **[A]** durante 1 segundo o más para desactivar el efecto de sonoridad. **"LOUD"** desaparece del visualizador.

# Operaciones de la radio

## Recepción de FM

Para una óptima audición en FM, el sintonizador **MAGI-TUNE®** incluye control estéreo accionado por la señal y circuitos de reducción de ruidos por trayectoria múltiple.

## Cambio del área de recepción

Esta unidad ha sido ajustada inicialmente para los intervalos de frecuencias de EE.UU., o sea 10 kHz para AM y 200 kHz para FM. Para utilizarla fuera de los EE.UU., podrá cambiar el margen de recepción de frecuencias a los intervalos indicados abajo.

### ● Ajuste del área de recepción

1. Pulse el botón **[FNC]** y seleccione el modo de radio (FM o AM).
2. Mientras presiona el botón **[DISP]**, cada vez que presione y mantenga presionado el botón **[SPE/ANA]** durante 2 o más segundos, el área de recepción cambiará desde la del interior de EE.UU. a la del exterior de EE.UU. o desde el exterior de EE.UU. al interior de EE.UU.

\* Las emisoras preajustadas se borran de la memoria al cambiar el área de recepción.

## Para escuchar la radio

1. Pulse el botón **[FNC]** y seleccione el modo de radio.
2. Pulse el botón **[BND]** y seleccione la banda de radio. Cada vez que pulsa el botón, la banda de recepción cambia en el orden siguiente:  
FM1 → FM2 → FM3 → AM → FM1...
3. Pulse el botón **[>>>]** o el botón **[<<<]** para sintonizar la emisora deseada.

## Sintonización

El modo de sintonización puede seleccionarse entre 3 tipos, a saber: sintonización con búsqueda, sintonización manual y sintonización de emisoras preajustadas.

## Sintonización con búsqueda

1. Pulse el botón **[BND]** y seleccione la banda deseada (FM o AM).  
\* Si **"MANU"** se enciende en el visualizador, pulse y mantenga pulsado el botón **[BND]** durante 1 segundo o más. **"MANU"** desaparece del visualizador y queda activada la sintonización con búsqueda.
2. Pulse el botón **[>>>]** o el botón **[<<<]** para buscar automáticamente la emisora siguiente. Pulsando el botón **[>>>]**, la búsqueda de emisoras se efectúa en el orden de frecuencias ascendentes y pulsando el botón **[<<<]**, en el orden de frecuencias descendentes.

## Sintonización manual

Puede realizarse de 2 maneras: sintonización rápida y sintonización por pasos.

Cuando está en el modo de sintonización por pasos, la frecuencia cambia paso por paso. En el modo de sintonización rápida, podrá sintonizar rápidamente la frecuencia deseada.

1. Pulse el botón **[BND]** y seleccione la banda deseada (FM o AM).

\* Si **"MANU"** no está encendido en el visualizador, pulse y mantenga pulsado el botón **[BND]** durante 1 segundo o más. **"MANU"** se enciende en el visualizador y queda activada la sintonización manual.

2. Sintonice una emisora.

### ● Sintonización rápida:

Pulse y mantenga pulsado el botón **[>>>]** o el botón **[<<<]** durante 1 segundo o más para sintonizar manualmente la frecuencia deseada.

### ● Sintonización por pasos:

Pulse el botón **[>>>]** o el botón **[<<<]** para sintonizar manualmente un paso a la vez hasta llegar a la frecuencia deseada.

## Memorización de emisoras

Se dispone de un total de 24 posiciones de presintonización (6-FM1, 6-FM2, 6-FM3, 6-AM) para almacenar emisoras individuales en la memoria.

## Memorización manual

1. Seleccione la emisora deseada con la función de sintonización con búsqueda, sintonización manual o sintonización de emisoras preajustadas.
2. Presione el botón **[M]**.  
Se encenderá **"CH"** en el visualizador.
3. Gire el mando **[PRESET]** hacia la derecha o la izquierda para seleccionar la memoria de preajuste deseada.
4. Presione y mantenga presionado el botón **[M]** durante 2 o más segundos para almacenar la emisora en la memoria de preajuste.

## Memorización automática

La memorización automática selecciona hasta 6 emisoras y las almacena automáticamente en la memoria de preajuste. Si la memorización automática no consigue sintonizar seis emisoras, se almacenan sólo las emisoras con las señales más fuertes y los otros ajustes permanecen tal como están.

1. Pulse el botón **[BND]** y seleccione la banda

deseada (FM o AM).

2. Presione y mantenga presionado el botón **[SCN]** durante 2 o más segundos. Las emisoras con buena recepción se almacenarán automáticamente en la memoria de preajuste.

### Cómo llamar una emisora preajustada

Gire el mando **[PRESET]** hacia la derecha o la izquierda para llamar la radiofrecuencia almacenada de forma automática.

1. Pulse el botón **[BND]** y seleccione la banda deseada (FM1, FM2, FM3 o AM).
2. Gire el mando **[PRESET]** hacia la derecha o la izquierda para llamar la emisora almacenada.

### Exploración de emisoras memorizadas

La exploración de emisoras memorizadas recibe las emisoras almacenadas en la memoria de preajuste por el orden de almacenamiento. Esta función es conveniente para buscar una emisora almacenada en la memoria.

1. Pulse el botón **[SCN]**.
2. Cuando se sintonice la emisora deseada, pulse el botón **[SCN]** otra vez para seguir recibiendo esa emisora.

#### Nota:

- *Tenga cuidado de no pulsar y mantener pulsado el botón **[SCN]** durante 2 segundos más; de lo contrario, se activará la función de memorización automática y la unidad comenzará a memorizar las emisoras.*

### Llamada de emisora al instante (ISR)

La llamada de emisora al instante es una función de presintonización especial que permite acceder instantáneamente a una radioemisora favorita al simple toque de un botón. La función ISR también funcionará aunque la unidad se encuentre en otros modos.

#### ● Memoria de ISR

1. Seleccione la emisora que desea almacenar en la memoria de ISR.
2. Pulse y mantenga pulsado el botón **[ISR]** durante 2 segundos o más.


#### ● Cómo llamar una emisora con ISR

En cualquier modo, pulse el botón **[ISR]** para activar la función de radio y sintonizar la radioemisora seleccionada. Aparece **"ISR"** en el visualizador. Pulse el botón **[ISR]** otra vez para volver al modo anterior.

### Carga de un CD

Inserte el CD en el centro de la ranura de inserción con la cara de la etiqueta hacia arriba. Tras cargarse, el CD comienza a reproducirse automáticamente.

#### Notas:

- *Nunca inserte objetos extraños en la ranura de inserción de CD.*
- *Cuando haya un CD insertado en la unidad, no trate nunca de insertar otro CD.*
- *Esta unidad no puede reproducir discos que no posean la marca  ni CD-ROMs.*
- *Es posible que algunos discos CD grabados en el modo CD-R no puedan emplearse.*
- *Es posible que algunos discos CD no quedan emplearse aunque se hayan grabado en el modo CD-RW.*

### Cómo escuchar un CD ya insertado

Pulse el botón **[FNC]** para seleccionar el modo de CD. La reproducción se inicia automáticamente. Si no hay CD cargado en la unidad, aparecerá **"NO DISC"** en el visualizador.

### Pausa de reproducción

1. Pulse el botón **[▶||]** para hacer una pausa en la reproducción. Aparece **"PAUSE"** en el visualizador.
2. Para reanudar la reproducción del CD, vuelva a pulsar el botón **[▶||]**.

### Visualización de los títulos de CD

Esta unidad puede visualizar los títulos introducidos por el usuario utilizando esta unidad.

Pulse el botón **[DISP]** para visualizar el título.

#### Notas:

- *Esta unidad no puede visualizar títulos de CDs de CD-text.*
- *Si el CD que se está reproduciendo es un CD de CD-text o no tiene título introducido por el usuario, aparecerá **"NO-TTL"** en el visualizador.*

### Expulsión del CD

Pulse el botón [CD EJECT] para expulsar el CD. Una vez que sea expulsado, extráigalo.

- \* Si deja un CD de 5" (12 cm) en la posición de expulsión durante 15 segundos, el CD volverá a cargarse automáticamente (recarga automática).
- \* Los CDs de 3" (8 cm) no se recargan automáticamente. Asegúrese de sacarlo cuando sea expulsado.

#### Notas:

- *Si intenta introducir el CD a la fuerza antes de la recarga automática, se podrá dañar el CD.*
- \* *El modo de radio se selecciona automáticamente 4 segundos después de pulsar el botón [CD EJECT].*

### Selección de una pista

#### ● Búsqueda de pistas hacia adelante

1. Pulse el botón [▶▶] para avanzar al comienzo de la pista siguiente.
2. Cada vez que pulsa el botón [▶▶], la pista avanza al comienzo de la pista siguiente.

#### ● Búsqueda de pistas hacia atrás

1. Pulse el botón [◀◀] para retroceder al comienzo de la pista actual.
2. Pulse dos veces el botón [◀◀], para retroceder al comienzo de la pista anterior.

### Avance rápido/retroceso rápido

#### ● Avance rápido

Pulse y mantenga pulsado el botón [▶▶] durante 1 segundo o más.

#### ● Retroceso rápido

Pulse y mantenga pulsado el botón [◀◀] durante 1 segundo o más.

### Función de reproducción desde el comienzo del disco

La función de reproducción desde el comienzo del disco hace que el reproductor de CD se reajuste a la primera pista del disco. Pulse el botón [BND] para reproducir la primera pista (pista N°1) del disco.

### Reproducción con exploración

La reproducción con exploración localiza y reproduce automáticamente los primeros 10 segundos de cada pista de un disco. Esta función continúa activada hasta que sea cancelada.

- \* La reproducción con exploración resulta útil para seleccionar una pista deseada.

1. Pulse el botón [SCN] para iniciar la exploración de las pistas. "T-SCAN" se enciende en el visualizador.
2. Para cancelar la reproducción con exploración, pulse otra vez el botón [SCN]. "T-SCAN" desaparece del visualizador y se reanuda la reproducción de la pista actual.

### Reproducción repetida

La reproducción repetida reproduce continuamente la pista actual. Esta función permanece activada hasta que la cancele.

1. Pulse el botón [RPT]. Se enciende "T-REPEAT" en el visualizador y se repite la pista actual.
2. Para cancelar la reproducción repetida, vuelva a pulsar el botón [RPT]. "T-REPEAT" desaparece del visualizador y se reanuda la reproducción normal.

### Reproducción aleatoria

La reproducción aleatoria selecciona y reproduce las pistas de un disco al azar, sin ningún orden determinado. Esta función permanece activada hasta que la cancele.

1. Pulse el botón [RDM]. Se enciende "T-RANDOM" en el visualizador y las pistas se seleccionan individualmente al azar y se reproducen.
2. Para cancelar la reproducción aleatoria, vuelva a pulsar el botón [RDM]. "T-RANDOM" desaparece del visualizador y se reanuda la reproducción normal.



# Operaciones del casete

## Carga de un casete

Cargue el casete en la ranura de inserción del casete. Aparece "LOADING" en el visualizador y se inicia la reproducción.

- \* Cuando se inserta una cinta de polarización de metal o de cromo (70µ seg.), se selecciona automáticamente el ajuste de polarización de metal.
- \* La puerta de la ranura del casete se cierra automáticamente después de insertar o de expulsar el casete ("Función de cerrado automático de la puerta"). Esto protege el mecanismo de la cinta contra el polvo.

## Para escuchar una casete ya insertado

Pulse el botón [FNC] y seleccione el modo de cinta. La reproducción se inicia automáticamente. Si la cinta no está cargada en la unidad, aparecerá "NO CASS" en el visualizador.

## Pausa de reproducción

1. Pulse el botón [▶||] para hacer una pausa en la reproducción. Aparece "PAUSE" en el visualizador.
2. Para reanudar la reproducción de la cinta, vuelva a pulsar el botón [▶||].

## Expulsión del casete

Pulse el botón [TAPE EJECT] para expulsar la cinta. Una vez que sea expulsado, extráigalo.

- \* El modo de radio se selecciona automáticamente 4 segundos después de pulsar el botón [TAPE EJECT].

## Para cambiar a la otra cara de la cinta

Pulse el botón [BND] para cambiar la dirección de la cinta y reproducirla.

- \* El mecanismo de la cinta invierte automáticamente la dirección y activa la reproducción al llegar al final de la cinta (inversión automática).

## Avance rápido/rebobinado rápido

### ● Avance rápido

Pulse el botón [▶▶].

### ● Bobinado rápido

Pulse el botón [◀◀].

### ● Cancelación de FF/REW

Pulse el botón [▶||].

### ● Para escuchar otra fuente mientras utiliza FF o REW ("modo monitor")

Para escuchar el CD, el cambiador de CD/MD o el sintonizador de AM/FM mientras el mecanismo efectúa la búsqueda, pulse el botón [FNC] para seleccionar el modo deseado. El mecanismo dejará de funcionar automáticamente al llegar al final de la cinta.

#### Nota:

- \* Utilice el botón [FNC] y seleccione la función de cinta para reanudar la reproducción de la cinta.

## Función APC (Control automático de programa)

La función APC (Control automático de programa) hace que la cinta avance hasta el comienzo de la siguiente pista o que retroceda al comienzo de la pista actual.

### ● Salto hacia adelante al comienzo de la pista siguiente ("APC-FF")

Durante la reproducción de la cinta, pulse el botón [▶▶] para avanzar al comienzo de la siguiente pista. Se empezará a reproducir la siguiente pista.

### ● Salto hacia atrás al comienzo de la pista actual ("APC-REW")

Durante la reproducción de la cinta, pulse el botón [◀◀] para rebobinar hasta el comienzo de la pista actual. Se empezará a reproducir la pista actual desde el comienzo.

### ● Cancelación de FF/REW APC para reanudar la reproducción

Pulse el botón [▶||].

### ● Para escuchar otra fuente mientras se está usando el APC ("modo monitor")

Para escuchar el CD, el cambiador de CD/MD o el sintonizador de AM/FM mientras el mecanismo efectúa la búsqueda, pulse el botón [FNC] para seleccionar el modo deseado. El mecanismo dejará de funcionar automáticamente al localizar la siguiente pista (en FF APC) o el comienzo de la pista actual (en REW APC).

#### Nota:

- \* Utilice el botón [FNC] y seleccione la función de cinta para reanudar la reproducción de la cinta.

### Sistema de reducción de ruidos Dolby

El sistema de reducción de ruidos Dolby aumenta el nivel de volumen de los sonidos de alta frecuencia durante la grabación, y los restablece a su nivel original durante la reproducción. Este sistema reduce los silbidos característicos de los casetes.

\* Sistema de reducción de ruidos Dolby fabricado bajo licencia de Dolby Laboratories Licensing Corporation. Dolby y el símbolo de doble D son marcas comerciales de Dolby Laboratories Licensing Corporation.

Pulse el botón **[RDM]** para seleccionar el modo de reducción de ruidos Dolby. Se enciende **"B NR"** en el visualizador. Cada vez que pulsa el botón **[RDM]**, Dolby alterna entre B NR y "OFF" (desactivado).

### Reproducción con exploración introductoria de la cinta

La reproducción con exploración introductoria hace que se reproduzcan los primeros 10 segundos de todas las pistas de la cinta a reproducir. Esta función permanece activada hasta que la cancele.

1. Pulse el botón **[SCN]** para iniciar la exploración introductoria de la cinta. **"SCAN"** se enciende en el visualizador.
2. Para cancelar la exploración introductoria, pulse otra vez el botón **[SCN]**. **"SCAN"** desaparece del visualizador y se reanuda la reproducción de la pista actual.

\* Al llegar al final de la cinta durante la exploración introductoria, el mecanismo invierte automáticamente la dirección de la cinta y se reanuda la exploración introductoria.

\* Si selecciona otro modo durante la exploración introductoria, el mecanismo hará que la exploración introductoria cese automáticamente al localizar la siguiente pista (función APC).

### Reproducción repetida de la cinta

La reproducción repetida hace que se reproduzca continuamente la pista actual. Esta función permanece activada hasta que la cancele.

1. Pulse el botón **[RPT]**. Se enciende **"REPEAT"** en el visualizador y se repite la pista actual.
2. Para cancelar la reproducción repetida, vuelva a pulsar el botón **[RPT]**. **"REPEAT"** desaparece del visualizador y se reanuda la reproducción normal.

### Omisión de espacios en blanco

La omisión de espacios en blanco le permite omitir las secciones en blanco de la cinta de más de 12 segundos de duración.

1. Pulse el botón **[RPT]** durante 1 segundo o más. Se enciende **"BLS"** en el visualizador y el mecanismo saltará auto-máticamente al comienzo de la siguiente pista.
2. Para cancelar la omisión de espacios en blanco, vuelva a pulsar y mantenga pulsado el botón **[RPT]**. **"BLS"** desaparece del visualizador y se reanuda la reproducción normal.

#### Notas:

*El control automático de programa (APC), la exploración introductoria, la repetición de la selección de la cinta y la omisión de espacios en blanco podrían no funcionar correctamente con cintas de las siguientes calidades:*

- Cintas con un nivel de grabación muy bajo.
- Cintas con demasiado ruido entre las selecciones.
- Cintas con pausas muy largas en el medio de las selecciones.
- Cintas en las que haya un espacio en blanco entre las selecciones de menos de 4 segundos.

# Operaciones de DSP/EQ

## Seleccione el menú DSP

Observaciones sobre las funciones DSP:

El procesador de sonido digital (DSP) emplea el procesamiento de la señal digital para permitir la creación de ambientes de audio simulados dentro de su vehículo, sin que se degrade el sonido.

1. Presione el botón **[DSP]**. Parpadeará el indicador DSF.
2. Gire el mando **[PRESET]** hacia la derecha o la izquierda para seleccionar el menú DSP.

### ● Menús DSP

**STADIUM** : Estadio grande sin techo ni paredes.

**HALL** : Sala de conciertos grande.

**CLUB** : Club con graves fuertes.

**CHURCH** : Iglesia con techo abovedado.

**L-ROOM** : Sala de escucha de un hogar.

3. Presione el botón **[DSP]** para volver al modo original.

## Para activar/desactivar (ON/OFF) los efectos DSP

Mantenga presionado el botón **[DSP]** durante 1 o más segundos.

Cada vez que se mantenga presionado el botón **[DSP]**, la función cambiará entre activación y desactivación (ON y OFF).

Cuando la función DSP esté activada (ON), se encenderá el indicador DSF.

## Para ajustar los efectos

Observaciones sobre los efectos de sonido:

Por "efectos" nos referimos a las reverberaciones y ecos característicos que se producen cuando rebota el sonido en las paredes y otras superficies. Esta unidad permite ajustar la cantidad de eco o reverberación del sonido.

1. Presione el botón **[DSP]**. Parpadeará el indicador DSF.
2. Gire el mando **[PRESET]** hacia la derecha o la izquierda para seleccionar el elemento que se desea ajustar en el menú DSP.
3. Mantenga presionado el botón **[T]** durante 1 o más segundos.
4. Gire el control **[VOLUME]** hacia la derecha o la izquierda para ajustar el efecto.
  - La cantidad del efecto añadida puede ajustarse dentro del margen de 0 al 70%.

5. Presione el botón **[T]** para volver al menú DSP.

Aparecerá el menú DSP seleccionado.

6. Presione el botón **[DSP]** para volver al modo original.

## Selección del menú EQ

Observaciones sobre la función EQ:

El ecualizador permite corregir y modificar las respuestas en frecuencia de las gamas de frecuencia seleccionadas, para poder crear un sonido exclusivo.

1. Presione el botón **[EQ]**.
2. Gire el mando **[PRESET]** hacia la derecha o la izquierda para seleccionar el menú EQ deseado.

### ● Menús EQ

**IMPACT** : Frecuencias bajas y altas acentuadas.

**B-BOOST** : Frecuencias bajas acentuadas.

**ACOUSTIC** : Frecuencias medias (voces) acentuadas.

**FLAT** : Sonido original.

3. Presione el botón **[EQ]** para volver al modo original.

## Para activar/desactivar (ON/OFF) los efectos EQ

Mantenga presionado el botón **[EQ]** durante 1 o más segundos.

Cada vez que se mantenga presionado el botón **[EQ]** de la forma mencionada, la función cambiará entre activación y desactivación (ON y OFF). Cuando la función EQ esté activada (ON), se encenderá el indicador G.EQ.

# Operación común para cada modo

## Ajuste del reloj

1. Pulse y mantenga pulsado el botón [T] durante 1 segundo o más para cambiar a la visualización de selección de ajuste.
2. Pulse el botón [▶▶] o el botón [◀◀] para seleccionar "CLOCK\_E".
3. Pulse el botón [▶▶▶].
4. Pulse el botón [▶▶] o el botón [◀◀] para seleccionar la hora o los minutos.
5. Gire el control [VOLUME] hacia la derecha o la izquierda para ajustar la hora correcta.
  - \* El reloj se visualiza en el formato de 12 horas.
6. Pulse el botón [▶▶▶] para almacenar la hora en la memoria.
7. Pulse el botón [T] para volver al modo anterior.

### Nota:

• Aunque el reloj esté visualizado, no lo podrá ajustar si sólo está conectada la llave de contacto. Si la batería del automóvil se descarga o si desmonta la batería o esta unidad, los ajustes del reloj se reposicionan a cero. Si selecciona otro botón u otro modo de operación mientras está ajustando el reloj, el modo de ajuste del reloj se cancela.

## Cambio de los patrones de visualización del analizador de espectro

Usted podrá escoger uno de los 8 patrones de visualización, o desactivarla.

\* El ajuste de fábrica es "PATTERN 1" (Patrón 1).

Cada vez que pulsa el botón [SPE/ANA], el patrón de visualización del analizador de espectro cambia en el orden siguiente:

PATTERN 1 → PATTERN 2 → PATTERN 3 →  
PATTERN 4 → PATTERN 5 → PATTERN 6 →  
PATTERN 7 → SCAN → OFF → PATTERN  
1 ...

### Notas:

No se podrá visualizar el analizador de espectro durante las operaciones indicadas abajo.

- Sintonización con búsqueda y memorización automática en el modo de radio.
- Silenciamiento o pausa.
- Cuando se visualiza "NO DISC" o un mensaje de error en el visualizador.

## Ajuste de la sensibilidad del analizador de espectro

\* El ajuste de fábrica es "MID".

1. Pulse y mantenga pulsado el botón [T] durante 1 segundo o más para cambiar a la visualización de selección de ajuste.
2. Pulse el botón [▶▶] o el botón [◀◀] para seleccionar "ANA SENS".

3. Gire el control [VOLUME] hacia la derecha o la izquierda para ajustar la sensibilidad del analizador de espectro.  
Podrá escoger entre los ajustes de sensibilidad "LOW", "MID" o "HIGH" del analizador de espectro.
4. Pulse el botón [T] para volver al modo anterior.

## Ajuste de la velocidad de visualización del analizador de espectro

\* El ajuste de fábrica es "HIGH".

1. Pulse y mantenga pulsado el botón [T] durante 1 segundo o más para cambiar a la visualización de selección de ajuste.
2. Pulse el botón [▶▶] o el botón [◀◀] para seleccionar "ANASPD".
3. Gire el control [VOLUME] hacia la derecha o la izquierda para ajustar la velocidad de la visualización del analizador de espectro.  
Podrá escoger entre los ajustes de velocidad "LOW", "MID" o "HIGH" del analizador de espectro.
4. Pulse el botón [T] para volver al modo anterior.

## Introducción de títulos (Titulación)

Se pueden almacenar y visualizar títulos de hasta 10 caracteres de largo para las emisoras de radio o de TV y los CDs. A continuación se indica el número de títulos que se pueden introducir para cada modo.

Modo	Número de títulos
Modo de radio	30 títulos
Modo de CD	100 títulos
Modo de TV	15 títulos

Modo del cambiador de CD	Número de títulos
CDC655z conectado	60 títulos
CDC655Tz conectado	100 títulos
CDC1255z conectado	50 títulos

1. Pulse el botón [FNC] para seleccionar el modo en que desea introducir un título (radio, CD, cambiador de CD o TV).
  - \* No se pueden introducir títulos para MDs con esta unidad.
2. Seleccione y reproduzca un CD o un CD del cambiador de CD, o sintonice una emisora de TV o radio apropiada.
3. Pulse el botón [DISP] y visualice el título.
4. Pulse el botón [T]. Aparece "TITL" en el visualizador y la posición del cursor parpadea.
5. Pulse el botón [▶▶] o el botón [◀◀] para mover el cursor.
6. Pulse el botón [DISP] para seleccionar un carácter. Cada vez que pulsa el botón [DISP], el carácter cambia en el orden siguiente:  
Mayúsculas → Minúsculas → Números/Símbolos → Mayúsculas ...

## Operación común para cada modo

7. Gire el control [**VOLUME**] hacia la derecha o la izquierda para seleccionar el carácter deseado. Pulsando el botón [**>>>**] el cursor se mueve al carácter siguiente; pulsando el botón [**<<<**] el cursor se mueve al carácter anterior.
8. Repita los pasos 5 a 7 para introducir hasta 10 caracteres para el título.
9. Pulse y mantenga pulsado el botón [**>>>>**] durante 2 segundos o más para almacenar el título en la memoria y cancelar el modo de introducción de título.
4. Presione el botón [**<<<**] o [**>>>**] para seleccionar "HOUR" o "MINUTE". Usted podrá ajustar los elementos que estén parpadeando.
5. Presione el botón [**>>>**] o [**<<<**] para ajustar la hora.
6. Presione el botón [**>>>>**].
7. Presione el botón [**T**]. La unidad volverá a la indicación original.

### Borrado de los títulos

1. Reproduzca el CD o un CD del cambiador de CD, o sintonice una emisora de TV o radio cuyo título desea borrar.
2. PBÁse el botón [**DISP**] y visualice el subtítulo.
3. Pulse el botón [**T**]. Aparece "**TITL**" en el visualizador y se cambia a la visualización de introducción del título.
4. Pulse el botón [**BND**].
5. Pulse y mantenga pulsado el botón [**>>>>**] durante 2 segundos o más para borrar el título y cancelar el modo de introducción del título.

### Visualización de mensaje

Al encender o apagar la unidad, se visualiza un mensaje. La visualización del mensaje puede ser activada o desactivada por el usuario, a voluntad.

\* El ajuste de fábrica es "**ON**".

1. Pulse y mantenga pulsado el botón [**T**] durante 1 segundo o más para cambiar a la visualización de selección de ajuste.
2. Pulse el botón [**>>>**] o el botón [**<<<**] para seleccionar "**MESSAGE**".
3. Gire el control [**VOLUME**] hacia la derecha para ajustar la visualización del mensaje a "**ON**" (activada), o hacia la izquierda para ajustarla a "**OFF**" (desactivada).
4. Pulse el botón [**T**] para volver al modo anterior.

### Función del reloj

#### ● Ajuste de la hora

Acerca de la indicación "CLOCK INDICATION"... La unidad indicará el reloj cuando el motor esté en funcionamiento (cuando ACC esté en ON).

El reloj funciona con la indicación de 12 horas.

1. Mantenga presionado (durante aproximadamente 1 segundo) el botón [**T**]. Se indicará "**ANA\_SENS**".
2. Presione el botón [**<<<**] o [**>>>**] para seleccionar "**CLOCK \_E**".
3. Presione el botón [**>>>>**] para hacer que se visualice el reloj. El reloj indicará "**AM 12:00**" y volverá al modo de "ajuste de la hora".

### Silenciamiento de audio para teléfonos celulares

Esta unidad requiere un conexionado especial para silenciar automáticamente la señal de audio al sonar un teléfono celular en el automóvil.

\* Esta función no es compatible con todos los teléfonos celulares. Para una información más detallada o sobre los detalles de instalación y compatibilidad, póngase en contacto con su distribuidor Clarion autorizado.

### Ajuste del tipo de desplazamiento del título

Hay 3 maneras de desplazar el título en el visualizador.

Seleccione el tipo de desplazamiento preferido.

\* El ajuste de fábrica es "**AUTO**".

1. Pulse y mantenga pulsado el botón [**T**] durante 1 segundo o más para cambiar a la visualización de selección de ajuste.
2. Pulse el botón [**>>>**] o el botón [**<<<**] para seleccionar "**SCROLL**".
3. Gire el control [**VOLUME**] para cambiar la visualización. Cada vez que se gire el control [**VOLUME**], ya sea hacia la derecha o la izquierda, la visualización cambiará entre los 2 métodos disponibles de visualización.
4. Pulse el botón [**T**] para volver al modo anterior.

# 8. OPERACIONES DE LOS ACCESORIOS

## Operaciones del cambiador de discos compactos/minidiscos

### Funciones del cambiador de discos compactos/minidiscos

Cuando haya conectado un cambiador de discos compactos/minidiscos opcional a través del cable CeNET, esta unidad podrá controlar todas las operaciones del mismo. Esta unidad podrá controlar un total de 2 cambiadores (minidiscos y/o discos compactos).

Presione el botón **[FNC]** para seleccionar el modo de cambiador de discos compactos(minidiscos), e inicie la reproducción. Si ha conectado 2 cambiadores de discos compactos(minidiscos), presione el botón **[FNC]** para seleccionar el que desee para reproducción.

\* Si en el visualizador aparece **"NO MAGA"**, inserte el cartucho en el cambiador de discos compactos. Mientras el cambiador esté cargando (comprobando el cartucho, en el visualizador se indicará **"CHECK"**).

\* Si en el visualizador aparece **"NO DISC"**, extraiga el cartucho e inserte discos en cada ranura. Después vuelva a insertar el cartucho en el cambiador de discos compactos.

\* Si en el visualizador aparece **"NO DISC"**, cargue minidiscos en el cambiador de minidiscos.

### PRECAUCIÓN

Los discos CD-ROM y CD-R no podrán reproducirse en el cambiador de discos compactos.

### Detención de la reproducción

1. Para detener la reproducción, presione el botón **[▶||]**. En el visualizador aparecerá **"PAUSE"**.
2. Para reanudar la reproducción, vuelva a presionar el botón **[▶||]**.

### Visualización de los títulos de CD

Esta unidad puede visualizar los títulos de los CDs de CD-text y los títulos introducidos por el usuario utilizando esta unidad.

\* Esta unidad sólo podrá visualizar los datos de los CDs de CD-text cuando esté conectada a un CDC655Tz.

● Cuando esté conectada a CDC655z o CDC1255z

Pulse el botón **[DISP]** para visualizar el título.

● Cuando esté conectada a CDC655Tz

1. Pulse el botón **[DISP]** para visualizar el título.
2. Cada vez que pulsa y mantiene pulsado el botón **[DISP]** durante 1 segundo o más, la visualización del título cambia en el orden siguiente:  
Título del usuario (disco) → Título del CD-text (disco) → título del CD-text (pista) → título del usuario (disco) ...

### Notas:

- Si el CD que se está reproduciendo no es un CD de CD-text o no tiene título introducido por el usuario, aparecerá **"USER TTL"** en el visualizador.
- Si el CD de CD-text no tiene título de disco o título de pista introducido, aparecerá **"TEXT[T]TTL"** o **"TEXT[T]TTL"** en el visualizador.

### Cambio de los títulos de discos y canciones (minidiscos)

Esta unidad podrá visualizar los títulos de discos y de canciones ya introducidos en los minidiscos. Será posible visualizar títulos de hasta 128 caracteres desplazando los títulos.

\* Con esta unidad no podrán introducirse títulos para minidiscos.

1. Presione el botón **[DISP]** para hacer que se visualice el título. Se visualizará el título del disco o de la canción.
2. Cada vez que mantenga presionado el botón **[DISP]** durante 1 segundo o más, la visualización cambiará entre el título de disco y el título de canción.

### Nota:

- Si el MD no tiene título de MD o título de pista, aparecerá **"[D] TITLE"** o **"[T] TITLE"** en el visualizador.

### Procedimiento para desplazar un título

Ajuste **"AUTO SCROLL"** en **"AUTO"** o en **"OFF"**. (El ajuste inicial de fábrica es **"AUTO"**, Consulte la subsección **"Ajuste del tipo de desplazamiento del título"** de la sección **"Operación común para cada modo"**.)

● Cuando esté ajustado a **"AUTO"**

El título continuará desplazándose automáticamente.

● Cuando esté ajustado a **"OFF"**

Para desplazar el título, mantenga presionado el botón **[T]**.

### Selección de un disco compacto (CD)/minidisco (MD)

Gire el mando [PRESET] hacia la derecha o la izquierda para seleccionar un CD o un MD.

\* Empléelo para seleccionar el número del disco insertado, y para iniciar la reproducción.

### Selección de una canción

#### ● Canciones posteriores

1. Presione el botón [▶▶] para avanzar hasta el comienzo de la canción siguiente.
2. Cada vez que presione el botón [▶▶], la canción avanzará hasta el comienzo de la siguiente.

#### ● Canciones anteriores

1. Presione el botón [◀◀] para retroceder hasta el comienzo de la canción actual.
2. Para retroceder al comienzo de la canción anterior, presione dos veces el botón [◀◀].

### Avance/retroceso rápidos

#### ● Avance rápido

Mantenga presionado el botón [▶▶] durante 1 segundo o más.

#### ● Retroceso rápido

Mantenga presionado el botón [◀◀] durante 1 segundo o más.

### Reproducción con exploración

La reproducción con exploración localizará y reproducirá automáticamente los primeros 10 segundos de cada canción de un disco. Esta función continuará en el disco hasta que la cancele.

\* La reproducción con exploración será muy útil para seleccionar la canción deseada.

1. Presione el botón [SCN] para iniciar la exploración de canciones. En el visualizador aparecerá "T-SCAN".
2. Para cancelar la reproducción con exploración, vuelva a presionar el botón [SCN]. "T-SCAN" desaparecerá del visualizador, y continuará la reproducción de la canción actual.

### Reproducción con exploración de discos

La reproducción con exploración de discos localizará y reproducirá los 10 primeros segundos de la primera canción de cada disco del cambiador de discos compactos/minidiscos actualmente seleccionado. Esta función continuará automáticamente hasta que la cancele.

\* La reproducción con exploración de discos será muy útil para seleccionar el disco deseado.

1. Mantenga presionado el botón [SCN] durante 1 segundo o más. En el visualizador aparecerán "DISC" y "D-SCAN", y se iniciará la reproducción de los discos.
2. Para cancelar al reproducción con exploración de discos, vuelva a presionar el botón [SCN]. "DISC" y "D-SCAN" desaparecerán del visualizador, y continuará la reproducción normal de discos desde la canción actual.

### Reproducción repetida

La reproducción repetida reproducirá continuamente la canción actual. Esta función continuará automáticamente hasta que la cancele.

1. Presione el botón [RPT]. En el visualizador aparecerá "T-REPEAT" y se repetirá la canción actual.
2. Para cancelar la función de repetición, vuelva a presionar el botón [RPT]. "T-REPEAT" desaparecerá del visualizador y se reanudará la reproducción normal.

### Reproducción repetida de disco

Después de que se hayan reproducido todas las canciones del disco actual, la función de reproducción repetida de disco volverá a repetir el disco actual desde la primera canción. Esta función continuará automáticamente hasta que la cancele.

1. Mantenga presionado el botón [RPT] durante 1 segundo o más. En el visualizador aparecerán "DISC" y "D-REPEAT", y se iniciará la reproducción repetida de disco.
2. Para cancelar la función de reproducción repetida de disco, vuelva a presionar el botón [RPT]. "DISC" y "D-REPEAT" desaparecerán del visualizador y se reanudará la reproducción normal de la canción actual.

### Reproducción aleatoria

La reproducción aleatoria seleccionará y reproducirá canciones individuales del disco sin orden particular. Esta función continuará automáticamente hasta que la cancele.

1. Presione el botón [RDM]. En el visualizador aparecerá "T-RANDOM", y se iniciará la reproducción aleatoria.
2. Para cancelar la reproducción aleatoria, vuelva a presionar el botón [RDM]. "T-RANDOM" desaparecerá del visualizador y se reanudará la reproducción normal.

### **Reproducción aleatoria de discos**

La reproducción aleatoria de disco seleccionará y reproducirá automáticamente canciones o discos individuales sin orden en particular. Esta función continuará automáticamente hasta que la cancele.

1. Mantenga presionado el botón **[RDM]** durante 1 segundo o más. En el visualizador aparecerán "DISC" y "D-RANDOM" y se iniciará la reproducción aleatoria de discos.
2. Para cancelar la reproducción aleatoria de discos, vuelva a presionar el botón **[RDM]**. "DISC" y "D-RANDOM" desaparecerán del visualizador y se reanudará la reproducción normal desde la canción actual.

### **Funciones del sintonizador de televisión**

Cuando haya conectado un sintonizador de televisión opcional a través del cable CeNET, esta unidad podrá controlar todas las funciones del sintonizador de televisión. Para contemplar programas de televisión, necesitará un sintonizador de televisión y un monitor.

### **Contemplación de programas de televisión**

1. Presione el botón **[FNC]** para seleccionar el modo de televisión.
2. Presione el botón **[BND]** para seleccionar la banda de televisión deseada (TV1 o TV2). Cada vez que presione el botón, la selección de entrada cambiará entre TV1 y TV2.
3. Presione el botón **[◀◀]** o **[▶▶]** para sintonizar la emisora de televisión deseada.

### **Contemplación de vídeo**

El sintonizador de televisión posee un terminal de entrada VTR al que podrá conectar un dispositivo externo. Conecte un reproductor de videocasetes (VCP) o una videograbadora (VCR) de 12 V al terminal de entrada del sintonizador de televisión.

1. Presione el botón **[RDM]** para seleccionar VTR.
2. Para volver a emisiones de televisión, presione el botón **[RDM]**.

### **Sintonía**

Existen 3 tipos de sintonía disponibles: sintonía con búsqueda, sintonía manual y sintonía memorizada.

### **Sintonía con búsqueda**

1. Presione el botón **[BND]** para seleccionar la banda de televisión deseada (TV1 o TV2).
  - \* Si en el visualizador está indicándose "MANU", mantenga presionado el botón **[BND]** durante 1 segundo o más. "MANU" desaparecerá del visualizador y podrá utilizar la sintonía con búsqueda.
2. Presione el botón **[◀◀]** o **[▶▶]** para buscar automáticamente una emisora. Presione el botón **[▶▶]** para sintonizar automáticamente la siguiente emisora de televisión de frecuencia superior disponible, o el botón **[◀◀]** para sintonizar automáticamente emisoras de frecuencia inferior.



### Sintonía manual

Existen 2 modos disponibles: sintonía rápida y sintonía por pasos.

Cuando utilice el modo de sintonía por pasos, la frecuencia cambiará un paso cada vez. En el modo de sintonía rápida, usted podrá sintonizar rápidamente la frecuencia deseada.

1. Presione el botón **[BND]** para seleccionar la banda deseada (TV1 o TV2).

\* Si en el visualizador no está indicándose **"MANU"**, mantenga presionado el botón **[BND]** durante 1 segundo o más. **"NANU"** aparecerá en el visualizador y podrá utilizar la sintonía manual.

2. Sintonice la emisora.

#### ● Sintonía rápida:

Mantenga presionado el botón [**<<**] o [**>>**] durante 1 segundo o más para sintonizar una emisora.

#### ● Sintonía por pasos:

Presione el botón [**<<**] o [**>>**] para sintonizar manualmente una emisora.

### Invocación de una emisora memorizada

En la memoria existe un total de 12 posiciones de memorización (6 de TV1 y 6 de TV2) para almacenar emisoras de televisión. Esto le permitirá seleccionar sus emisoras favoritas de televisión y almacenarlas en la memoria para invocárlas posteriormente.

1. Presione el botón **[BND]** para seleccionar la banda de televisión deseada (TV1 o TV2).
2. Para llamar una emisora de TV almacenada, gire el mando **[PRESET]** hacia la derecha o la izquierda para seleccionar esta emisora.

### Memorización manual

1. Seleccione la emisora deseada con la función de sintonización con búsqueda, sintonización manual o sintonización de emisoras preajustadas.
2. Presione el botón **[M]**.  
Se encenderá **"CH"** en el visualizador.
3. Gire el mando **[PRESET]** hacia la derecha o la izquierda para seleccionarla memoria de ajuste deseada.
4. Presione y mantenga presionado el botón **[M]** durante 2 o más segundos para almacenar la emisora en la memoria de preajuste.

### Almacenamiento automático

El almacenamiento automático selecciona automáticamente hasta 6 emisoras de televisión y las almacena en la memoria.

Si no pueden recibirse 6 emisoras, las previamente almacenadas permanecerán en sus posiciones de memoria.

1. Presione el botón **[BND]** para seleccionar la banda de televisión deseada (TV1 o TV2).
2. Presione y mantenga presionado el botón **[SCN]** durante 2 o más segundos. Las emisoras con buena recepción se almacenarán automáticamente en la memoria de preajuste.

### Exploración memorizada

La exploración memorizada permitirá que el usuario pueda ver cada emisora memorizada antes de pasar a la siguiente. Esta función será muy útil para buscar la emisora de televisión deseada almacenada en la memoria.

1. Presione el botón **[SCN]**.
2. Cuando sintonice la emisora deseada, vuelva a presionar el botón **[SCN]** para continuar recibiendo tal emisora.

#### Nota:

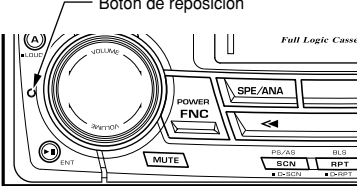
• Tenga cuidado de no mantener presionado el botón **[SCN]** durante 2 segundos o más, ya que se activaría la función de almacenamiento automático y la unidad comenzaría a memorizar emisoras.

### Ajuste de diversidad de televisión

Usted podrá cambiar el ajuste de recepción para la antena de televisión conectada al sintonizador de televisión.

1. Mantenga presionado el botón **[T]** durante 1 segundo o más para cambiar a la visualización de selección de ajuste.
2. Presione el botón [**<<**] o [**>>**] para seleccionar **"TV DIVER"**.
3. Gire el control **[VOLUME]** hacia la derecha para activar la función (**"ON"**) y hacia la izquierda para desactivarla (**"OFF"**).
  - **ON:**  
Ajusta la recepción acentuando las imágenes.
  - **OFF:**  
Desactiva la recepción en diversidad.
4. Presione el botón **[T]** para volver al modo anterior.

# 9. EN CASO DE DIFICULTAD

	Problema	Causa	Solución
Generales	La alimentación no se conecta. (No se produce sonido.)	El fusible está quemado.	Reemplace el fusible por otro del mismo amperaje. Si el fusible vuelve a quemarse, póngase en contacto con el comercio en el que adquirió la unidad.
		Las conexiones son incorrectas.	Póngase en contacto con el comercio en el que adquirió la unidad.
	Al utilizar la unidad con amplificadores o con una antena motorizada, no sale sonido.	El conductor de la antena motorizada está cortocircuitado a tierra, o se necesita excesiva corriente para controlar remotamente los amplificadores o la antena motorizada.	<ol style="list-style-type: none"> <li>1. Desconecte la alimentación de la unidad.</li> <li>2. Desconecte todos los conductores conectados al conductor de la antena motorizada. Compruebe todos los conductores para ver si existe un cortocircuito a masa utilizando un ohmímetro.</li> <li>3. Vuelva a conectar la alimentación de la unidad.</li> <li>4. Vuelva a conectar, uno tras otro, todos los conductores de control remoto del (de los) amplificador (es) al conductor de la antena motorizada. Si la alimentación de los amplificadores se desconecta antes de haber conectado todos los conductores, utilice un relé externo para suministrar tensión de alimentación remota (se requiere corriente excesiva).</li> </ol>
<p>No sucede nada al presionar los botones.</p> <p>La visualización no es precisa.</p>	El microprocesador ha funcionado mal debido al ruido, etc.	<p>Presione el botón de reposición con una varilla fina.</p> <p>Botón de reposición</p> 	
Reproductor de discos compactos	El disco compacto no se carga.	Ya hay otro disco compacto cargado.	Extraiga el disco compacto antes de cargar el nuevo.
	El sonido salta o se oye ruido.	El disco compacto está sucio.	Limpie el disco compacto con un paño suave.
		El disco está muy rayado o alabeado.	Reemplace el disco compacto por otro que esté en buenas condiciones.
El sonido es malo inmediatamente después de haber conectado la alimentación.	Es posible que se hayan formado gotas de agua en el objetivo interno suando haya estacionado en un lugar húmedo.	Deje que se seque durante 1 hora con la alimentación conectada.	
Cinta	La calidad del sonido es mala.	La cabeza reproductora está sucia.	Utilice un paño de limpieza, etc. para limpiar la cabeza.
		No ha presionado el botón [RDM].	Cuando escuche una cinta grabada con el sistema de reducción de ruido Dolby, presione el botón [RDM] para seleccionar B NR.

# 10. INDICACIONES DE ERROR

Cuando ocurra un error, se visualizará el tipo del mismo. Tome las medidas descritas a continuación para solucionar el problema.

	Indicación de error	Causa	Solución
CD	<b>ERROR 2</b>	El disco compacto se haya atascado en el interior del reproductor de discos compactos y no puede extraerse.	Éste es un problema del reproductor de discos compactos. Póngase en contacto con el comercio en el que adquirió la unidad.
	<b>ERROR 3</b>	El disco compacto no puede reproducirse debido a ralladuras, etc.	Reemplace el disco compacto por otro que no esté rayado ni alabeado.
	<b>ERROR 6</b>	El disco compacto está cargado al revés en el reproductor de discos compactos y no puede reproducirse.	Extraiga el disco y cárguelo adecuadamente.
Cinta	<b>ERROR 1</b>	La cinta no puede reproducirse debido a que esté defectuosa, por ejemplo, cortada.	Extraiga el casete y cámbielo por otro nuevo.
	<b>ERROR 2</b>	La cinta se ha enredado y no puede reproducirse.	Extraiga el casete atascado o la cinta enredada.
	<b>ERROR 4</b>	No puede detectarse el modo de cinta.	Éste es un problema del mecanismo del reproductor de casetes. Póngase en contacto con el comercio en el que adquirió la unidad.
	<b>ERROR 8</b>	La cinta se ha enredado y el casete no puede extraerse.	Elimine la razón del enredo de la cinta.
Cambiador de discos compactos	<b>ERROR 2</b>	No hay discos cargados en el interior del cambiador de discos compactos.	Éste es un problema del cambiador de discos compactos. Póngase en contacto con el comercio en el que adquirió la unidad.
	<b>ERROR 3</b>	El disco compacto del cambiador de discos compactos no puede reproducirse debido a ralladuras, etc.	Reemplace el disco compacto por otro que no esté rayado ni alabeado.
	<b>ERROR 6</b>	El disco compacto del cambiador de discos compactos no puede reproducirse debido a que está cargado al revés.	Extraiga el disco y cárguelo adecuadamente.
Cambiador de minidiscos	<b>ERROR H</b>	Se visualizará cuando la temperatura del cambiador de minidiscos sea demasiado alta y la reproducción se haya parado automáticamente.	Reduzca la temperatura ambiental y espere durante cierto tiempo hasta que se enfríe el cambiador de minidiscos.
	<b>ERROR 2</b>	En el interior del cambiador de minidiscos no hay minidisco cargado.	Ésta es una avería del mecanismo del cambiador de minidiscos, motivo por el que tendrá que consultar al establecimiento de adquisición del mismo.
	<b>ERROR 3</b>	El minidisco del interior del cambiador de minidiscos no puede reproducirse debido a ralladuras, etc.	Reemplácelo por un disco no alabeado.
	<b>ERROR 6</b>	El minidisco del interior del cambiador de minidiscos no puede reproducirse debido a que está cargado al revés.	Extraiga el disco y después vuelva a cargarlo adecuadamente.
		Se visualizará cuando haya cargado un minidisco no grabado en el cambiador de minidiscos.	Cargue un minidisco grabado en el cambiador de minidiscos.

Si aparece una indicación de error no descrita arriba, presione el botón de reposición. Si el problema continúa, desconecte la alimentación y póngase en contacto con el comercio en el que adquirió la unidad.

# 11. ESPECIFICACIONES

## **SINTONIZADOR DE FM**

Gama de frecuencias:  
87,9 MHz a 107,9 MHz

Sensibilidad útil:  
11 dBf

Umbral de silenciamiento a 50dB:  
17 dBf

Selectividad de canal alternativo:  
75 dB

Separación estéreo (1 kHz):  
35 dB

Respuesta de frecuencia ( $\pm 3$  dB):  
30 Hz a 15 kHz

## **Sintonizador de AM**

Gama de frecuencias:  
530 kHz a 1.710 kHz

Sensibilidad útil:  
25  $\mu$ V

## **Reproductor de CD**

Respuesta de frecuencia ( $\pm 1$  dB):  
10 Hz a 20 kHz

Relación señal a ruido (1 kHz):  
100 dB

Gama dinámica (1 kHz):  
95 dB

Distorsión armónica:  
0,01%

## **Platina de casete**

Lloro y fluctuación (valor eficaz ponderado):  
0,06%

Separación entre canales (1 kHz):  
45 dB

Respuesta en frecuencia ( $\pm 3$  dB)  
120  $\mu$ s (Norma): 30 Hz a 18 kHz  
70  $\mu$ s CrO<sub>2</sub> FeCr, Metal): 30 Hz a 20 kHz

Relación señal a ruido  
70  $\mu$ s CrO<sub>2</sub> FeCr, Metal): 58 dB  
Dolby B NR: 67 dB

## **Audio**

Salida máxima de potencia:  
200 W (50 W  $\times$  4 canales) (JEITA)

Salida de potencia media continua:  
16 W  $\times$  4  $\Omega$ , en 4 , 20 Hz a 20 kHz, 1% THD  
(distorsión armónica total)

Acción de control de graves (30 Hz):  
 $\pm 13$  dB

Acción de control de agudos (10 kHz):  
 $\pm 10$  dB

Nivel de salida de línea (CD 1 kHz):  
1,8 V

## **General**

Tensión de alimentación:  
14,4 V CC (permisible de 10,8 a 15,6 V)  
masa negativa

Consumo de corriente:  
Menos de 15 A

Impedancia de altavoz:  
4  $\Omega$  (permisible de 4  $\Omega$  a 8  $\Omega$ )

Peso / Unidad fuente:  
5,7 lb (2,6 kg)

Peso / Unidad de controlador remoto:  
1 oz. (30 g) (incluyendo las pilas)

Dimensiones / Unidad fuente:  
7" (Ancho)  $\times$  3-15/16" (Alto)  $\times$  6-1/8" (Fondo)  
[178 (An)  $\times$  100 (Al)  $\times$  155 (F) mm]

Dimensiones / Unidad de controlador remoto:  
1-3/4" (Ancho)  $\times$  4-5/16" (Alto)  $\times$  1-1/8" (Fondo)  
[44 (An)  $\times$  110 (Al)  $\times$  27 (F) mm]

## **Notas:**

- *Las especificaciones cumplen con las normas de la JEITA.*
- *Las especificaciones y el diseño están sujetos a cambios sin previo aviso por motivo de mejoras.*

感谢您购买 Clarion 的产品。

\* 在操作本设备之前，请先通读本使用说明书。

\* 阅读本手册后，请将它放置在随手可及的地方（如仪表板上的工具箱内）。

\* 请核对随机保修卡的内容，并与本手册一起仔细保管。

\* 本说明书包括通过 CeNET 电缆连接的 CD 换片机、MD 换片机和电视机的操作步骤。CD 换片机、MD 换片机和电视调谐器有其各自的说明书，但并未说明它们的操作方法。

# 目录

1. 性能 .....	82
2. 用前须知 .....	83
3. 控制 .....	5
4. 有关名称 .....	84
按键名称及其功能 .....	84
本机连接有外接装置时主要按键的操作 .....	85
显示项目 .....	86
5. 使用注意事项 .....	87
使用 CD 唱片 .....	87
使用盒式磁带 .....	87
6. 遥控器 .....	88
插入电池 .....	88
遥控器按键功能 .....	89
7. 操作方法 .....	90
基本操作 .....	90
收音机操作方法 .....	92
CD 唱机操作方法 .....	93
录音机操作方法 .....	95
DSP/EQ 操作方法 .....	97
各模式共同的操作方法 .....	98
8. 附件操作方法 .....	100
CD/MD 换片机操作方法 .....	100
电视机操作方法 .....	102
9. 故障排除 .....	104
10. 错误显示 .....	105
11. 规格 .....	106

# 1. 性能

- 8 倍超取样数字滤波器和双 1 位 D/A (数/模) 转换器
- 零位检波器 (Zero-Bit Detector™) 静音电路
- 带真值函数的全逻辑磁带传送/带双重方位调整的自动翻面
- Dolby® (杜比) B 降噪
- **MAGI-TUNE®** FM 接收系统
- 选购的电视调谐器用控制器
- 可从兼容的 Clarion CD 换片机读取 CD TEXT (文本) 数据
- 内装 5 预编程数字声场存储器和 4 预编程图示均衡存储器
- CeNET 带平衡音频线路传输和动态噪音消除
- 高可见性多色 FL 显示器
- 4 声道 RCA 线路电平输出带衰减控制器

## 2. 用前须知

1. 如果车体内部非常寒冷，不要在打开加热器后马上使用本机，否则在唱片或唱机的光学部件上可能结露，使唱机不能正常工作。如果在唱片上有结露，请用软布擦拭。如果在光学部件上有结露，停用本机约一小时，结露将自然消失，唱机便可正常操作。
2. 在崎岖道路上行驶时，剧烈的颠簸可能导致声音跳动。
3. 本机使用精密机械。因此即使发生故障，也切勿打开机箱、拆卸机体，也不要对转动部件进行润滑。

根据 FCC 协议的第 15 部分的规定，本装置经测试证明符合对 B 级数字设备的限制量。

这些限制量是为住居安装时的有害干扰提供适当的保护而设定的。

本装置产生、使用并可能发射射频能量，如果未按说明书进行安装和使用，可能对无线电通讯带来有害的干扰。但是，无法保证某种特定的安装不会引起干扰。

如果本装置对收音机或电视机的接收产生有害的干扰（这可以通过接通或关闭本装置的电源来确定），建议用户求助于销售商或有经验的收音机/电视机技术人员。

### 警告

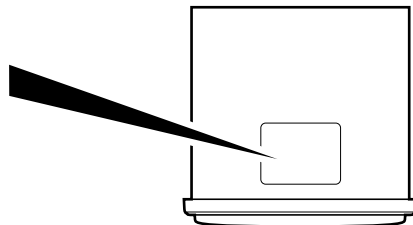
采用本处未提及的控制、调节或操作步骤将导致有害辐射外泄。

除非是合适的专业维修人员，任何人不得调节或修理 CD 唱机。

未经生产厂商明确同意对本机进行改动可能会使用户无法操作本机。

### 用户须知：

如果未经生产厂商同意对本产品进行改动，厂商将不再承担质量保证义务，FCC 协议亦将失效。



主机的底视图

# 4. 有关名称

注意：

· 请务必参照第 5 页（展开）上“3. 控制”一章的前视图阅读本章。

## 按键名称及其功能

### [REMOTE]

· 遥控器用接收窗。

### [SPE/ANA] 键

· 按下来改变频谱分析器显示。

### [TAPE IN]

· 盒式磁带插入口。

### [CD IN]

· CD 插入口。

### [ISR] 键

· 调用存储器中的 ISR 广播电台。  
按住 2 秒钟以上：将收听中的广播电台存储在 ISR 存储器中（仅适用于广播模式）。

### [TAPE EJECT] 键

· 弹出盒式磁带。

### [CD EJECT] 键

· 弹出 CD。

### [DSP] 键

· 按下来选择 DSP 菜单、并接通或断开 DSP 效果。

### [T] 键

· 在 CD 模式期间，用本键来输入一个标题。  
· 按下本键 1 秒钟以上来进入调整模式。

### [M] 键

· 用以改变存储器中的项目或在存储器中存储项目。

### [PRESET] 旋钮

· 在广播模式期间，在存储器中存储一个电台或直接调用电台。  
· 在 DSP/EQ 模式期间，用以选择菜单。  
· 在调整模式期间，用以选择用于调整的项目。

注意：

要操作 [PRESET] 旋钮时：

- 旋钮旋转约 30 度（调整项目将变化）。
- 放开手指（旋钮将回到原位）。
- 再次旋转旋钮（调整项目将变化）。

### [DISP] 键

· 转换显示的指示（主显示、副显示、时钟显示）。

### [BND] 键

· 在广播模式期间，转换波段，或搜索调谐或手动调谐。  
· 在 CD 模式期间，播放第一首乐曲。  
· 在磁带模式期间，改变播放面（走带方向）。

### [RDM] 键

· 在 CD 模式期间，进行随机播放。  
· 在磁带模式期间，选择杜比降噪模式。

### [RPT] 键

· 在 CD 模式期间，进行重复播放。  
· 在磁带模式期间，可以进行重复播放。按住 1 秒钟以上时，可以进行空白跳过模式。

### [SCN] 键

· 在广播模式期间，进行预置扫描。按住本键时，进行自动存储。  
· 在 CD 模式期间，进行每一首乐曲 10 秒钟的扫描播放。

### [<<]、[>>] 键

· 在广播模式期间选择一个电台，或在欣赏 CD 时选择一首乐曲。两个按键用以进行各种设定。

### [FNC] 键

· 按下本键来接通电源。  
· 按住 1 秒钟以上来断开电源。  
· 广播模式等期间，转换操作模式。

### [MUTE] 键

· 接通和断开静音模式。

### [VOLUME] 旋钮

· 通过顺时针或逆时针方向旋转本旋钮来调节音量。  
· 用本旋钮来进行各种设定。

### [▶▶] 键

· 在 CD 模式期间，播放或暂停一张碟片。  
· 选择了各种设定选项后，按下本键来确认设定内容。



## [RESET] 键

- 在下列状态按下：
  1. 按下按键时没有任何动作发生。
  2. 显示不正确。

## [A] 键

- 按住本键 1 秒钟以上来接通或断开响度模式。
- 用本键来转换广播模式（低音 / 中音 / 高音，平衡 / 衰减调整）。

## [EQ] 键

- 按下来选择 EQ 菜单或 / 及接通或断开 EQ 效果。

# 本机连接有外接装置时主要按键的操作

## ● 连接有 CD / MD 换片机时

\* 有关详情，见“CD/MD 换片机操作方法”一节。

### [SCN] 键

- 对每一首乐曲进行 10 秒钟扫描播放。按住本键时，进行碟片扫描播放。

### [RPT] 键

- 进行重复播放。按住本键时，进行碟片重复播放。

### [RDM] 键

- 进行随机播放。按住本键时，进行碟片随机播放。

### [PRESET] 旋钮

- 用以选择所装入碟片的号码，并开始播放。

### [DISP] 键

- 在 MD 换片机模式期间，转换碟片标题或乐曲标题。
- 在 CD 换片机模式期间，转换用户标题或乐曲标题等。

### [T] 键

- 使用本键来将一个标题输入 CD 换片机模式中。
- 使用本键来在 CD 文本播放中滚动标题或在 CD 换片机模式中进行 MD 换片机播放。

### [▶||] 键

- 播放或暂停 CD 或 MD。

### [◀◀]、[▶▶] 键

- 欣赏一张碟片时，选择一个乐曲。

## [BND] 键

- 播放第一首乐曲。

## ● 连接有电视机时

\* 有关详情、见“电视机操作方法”一节。

### [SCN] 键

- 在电视机模式期间、进行预置扫描。按住本键时，进行自动存储。

### [PRESET] 旋钮

- 将一个电台存储在存储器中或直接调用电台。

### [◀◀]、[▶▶] 键

- 选择一个电台。

### [BND] 键

- 转换波段，或扫描调谐或手动调谐。

**DISC** : 碟片指示

**RPT** : 重复播放指示

**RDM** : 随机播放指示

**BLS** : BLS (空白跳过) 指示

**B NR** : 杜比B降噪 (B NR) 指示

**MANU** : 手动指示

**DSF** : DSF指示

**G.EQ** : G.EQ指示

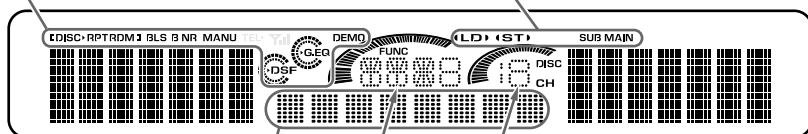
**DEMO** : DEMO (SPE-ANA) 指示

**(LD)** : 响度指示

**(ST)** : 立体声指示

**SUB** : SUB (副) 指示

**MAIN** : MAIN (主) 指示



预置频道指示 (1至6)  
碟片号码指示 (1至12)

功能模式指示  
· 所选择的模式名称等被显示。

操作状态显示  
· 频率、PTY、播放时间、CT (时钟) 等被显示。

# 5. 使用注意事项

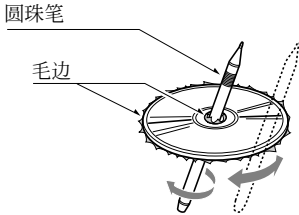
## 使用 CD 唱片

请仅使用带有  标记的 CD 唱片。

请勿播放心形、椭圆形或其他特殊形状的 CD 唱片。

### 使用

- 有的新唱片可能有毛边，如果使用这种唱片，唱机可能不工作，或在播放中出现“跳音”现象。请用圆珠笔等除去唱片上的毛边。



- 不要在唱片表面粘贴标志，也不要铅笔或钢笔在唱片表面做记号。
- 切勿播放粘有塑料胶带或胶水或标签剥落的唱片。否则，可能无法将其从 CD 唱机中取出，也可能损坏 CD 唱机。
- 请勿使用那些划痕很大、变形或翘曲的唱片。使用这类唱片将导致操作失灵或损坏唱机。

- 要从唱片存放盒中取出唱片时，请按下盒内的中央部，小心地夹住唱片边缘，取出唱片。
- 不要使用市售的 CD 保护纸或装有稳定器的唱片。它们可能会被夹在内部机械中并损坏唱片。

### 存放

- 不要让唱片处于直射阳光下或靠近热源。
- 请勿将唱片放在极为潮湿或多尘之处。
- 请勿让唱片直接承受取暖器散发之热。

### 清洁

- 要擦拭唱片上的指印和灰尘，请用软布从唱片的中部向边缘按直线擦拭。
- 不要使用任何溶剂，如市售的清洁剂、防静电喷雾剂或稀释剂等溶剂清洁唱片。
- 使用特殊的唱片清洁剂后，请在播放唱片之前让其完全干燥。

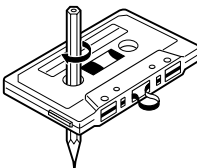
## 使用盒式磁带

使用以下盒式磁带中的任何一种都有可能引起故障。

- 带低录音电平的盒式磁带
- 乐曲之间未录音的部分短于 4 秒钟的盒式磁带
- 乐曲之间有噪音或类似录过音的盒式磁带
- 乐曲中间有较长未录音部分的盒式磁带

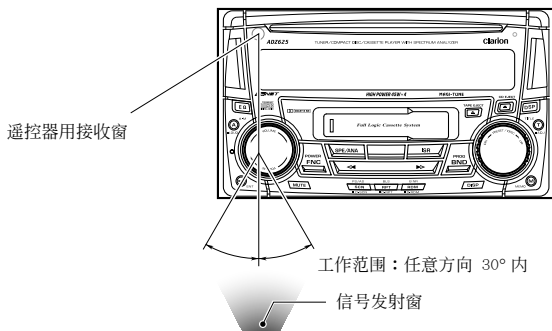
### 用前须知

- 盒带松弛可能引起故障。特别是预录的盒带和 90 分钟盒带，请在插入录音机之前卷紧盒带。

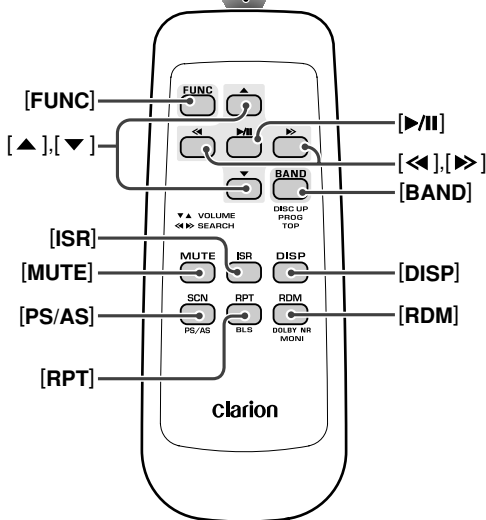


- 请勿使用 120 分钟以上的盒带。（这种盒带极薄，易于拉伸或断裂。）
- 请定期用清洁带清洁录音机磁头。
- 请勿让磁铁等磁性物以及螺丝刀等铁和钢制品靠近盒式磁带和录音机磁头。
- 请勿润滑走带机构。
- 请勿使用标签剥落或盒子变形的盒式磁带，这类盒式磁带可能会引起故障。
- 不用录音机时，请取出盒带。如果盒带暴露在直射阳光下、置于极高或极低温度、或置于高湿度下，盒带极易损坏。

# 6. 遥控器



## 遥控器



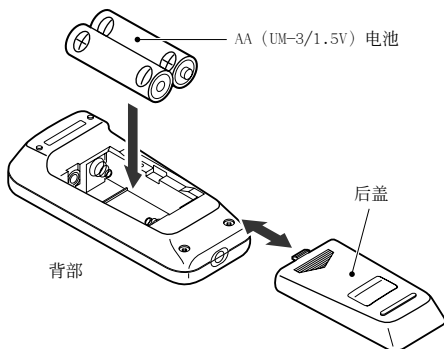
## 插入电池

1. 翻转遥控器，按箭头所示方向推动后盖。
2. 按图示方向装入遥控器附带的 AA (UM-3/1.5V) 电池，然后关上后盖。

### 注意：

电池使用不当会引起爆炸。请注意下述几点：

- 更换电池时，请同时用两节新电池更换。
- 请勿短路、分解或加热电池。
- 请勿将电池扔入火中或水中。
- 正确处置已用过的电池。



# 遥控器按键功能

按钮 \ 模式	收音机	录音机	CD 唱机	CD 换片机 MD 换片机	电视机
[FUNC]	在收音机、CD 唱机、录音机、CD 换片机、MD 换片机和电视机之间切换。				
[BAND]	切换接收波段。	盒带翻面。	播放第一首乐曲。 从头开始播放。	按递增次序移到下一张碟片。	切换接收波段。
[▲]、[▼]	增大和减小音量（所有模式）。				
[◀]、[▶]	在预置频道中上下搜索。	快进和快倒盒带。 APC 快进和快倒。	上下搜索乐曲。 按住此键 1 秒钟时：快进/快倒。		在预置频道中上下搜索。
[▶■]	不起作用。	在播放和暂停之间切换。	在播放和暂停之间切换。		不起作用。
[MUTE]	启动和关闭静音。				
[ISR]	调用存储器中的 ISR 广播电台。 按住此键 2 秒钟以上：将当前的电台存入 ISR 存储器（仅限于收音机模式）。				
[DISP]	在主显示、副显示和时钟显示之间切换。				
[SCN]	预置扫描。 按住此键 2 秒钟时：自动存储。	快进扫描。	扫描播放。	扫描播放。 按住此键 1 秒钟时：碟片扫描播放。	预置扫描。 按住此键 2 秒钟时：自动存储。
[RPT]	不起作用。	重复播放。 按住此键 1 秒钟时：跳过磁带空白功能启动或关闭。	重复播放。	重复播放。 按住此键 1 秒钟时：碟片重复播放。	不起作用。
[RDM]	不起作用。	选择杜比降噪模式。	随机播放。	随机播放。 按住此键 1 秒钟时：碟片随机播放。	在电视机和录像机之间切换。

\* 主机和遥控器上的某些相应键具有不同的功能。

# 7. 操作方法

## 基本操作

注意：请务必参照第 5 页（展开）上“3. 控制”一章的前视图阅读本章。

### 警告

在关闭本机电源或点火开关之前请务必减小音量。本机能记忆关机前最后的音量设定值，如若关机前音量很大，那么在再次开机时就有可能损坏您的听力并损坏设备。

即使本机电源关闭，只要点火开关处于 ACC（辅助）或 IGN（点火）位置，时钟就会显示出来。在某些汽车中，当点火开关转到 START（发动）位置时，时钟可能会暂时消失。引擎发动后，点火开关回到 IGN（点火）位置时，时钟将重现。

### 接通/关闭电源

注意：

• 如果汽车引擎没有发动，长时间使用本设备要当心。汽车蓄电池用完后引擎便无法发动，电池寿命也会因此缩短。

• 系统检查

本机检查 CeNET 连接了哪些外部设备。第一次接通 ACC/点火开关后（初始值），“SYSTEM”和“Push PWR”在显示屏上交替闪烁，请按 [FNC] 键开始进行系统检查。系统检查结束后，请再按一次 [FNC] 键启动本机。然后，本机显示 CHECKING COMPLETE（检查完毕）。

1. 按 [FNC] 键。
2. 本机显示屏和指示灯点亮。本机会自动记忆关机前的操作模式并在开机后自动切换到该模式显示。
3. 按住 [FNC] 键 1 秒钟以上关闭本机电源。

### 选择模式

1. 按 [FNC] 键改变操作模式。
2. 每按一次 [FNC] 键，操作模式按下列次序改变：

收音机模式 → CD 唱机模式 → 录音机模式 → CD 换片机模式 → MD 换片机模式 → 电视机模式 → AUX 模式 → 收音机模式…

\* 未用 CeNET 连接的外部设备不显示出来。

### 调节音量

顺时针方向旋转 [VOLUME] 旋钮来增大音量，或逆时针方向旋转 [VOLUME] 旋钮来减小音量。

\* 音量电平为 0（最小值）至 33（最大值）。

### 切换显示模式

按 [DISP] 键选择需要的显示模式。

每按一次 [DISP] 键，显示按下述次序变化：

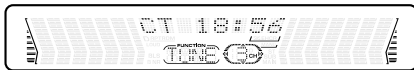
主显示



副（标题）显示



时钟显示



主显示…

\* 一旦选定，该显示形式就成为缺省显示模式。当进行功能调节（如音量调节等）时，显示屏将暂时切换为该功能显示，在功能调节完成数秒后又恢复成选定的显示模式。

\* 当您已输入了 CD 标题时，它将出现在副显示中。如果您没有输入标题，将不显示标题而出现“NO-TTL”。关于输入标题的方法，请参阅“各模式共同的操作方法”中的“输入标题”小节。

\* 您可以调节滚动显示标题的方法。有关详细说明，请参见“各模式共同的操作方法”的“调节标题滚动显示的方法”小节。

### 调节低音

1. 按 [A] 键选择“BASS”。
2. 顺时针方向旋转 [VOLUME] 旋钮来增强低音，或逆时针方向旋转 [VOLUME] 旋钮来衰减低音。  
\* 出厂缺省设定为“0”。（调节范围：-6 至 +6）
3. 调节完毕后，按几下 [A] 键直至成为功能模式。

### 调节高音

1. 按 [A] 键选择“TREB”。
2. 顺时针方向旋转 [VOLUME] 旋钮来增强高音，或逆时针方向旋转 [VOLUME] 旋钮来衰减高音。  
\* 出厂缺省设定为“0”。（调节范围：-6 至 +6）
3. 调节完毕后，按几下 [A] 键直至成为功能模式。

### 调节平衡

1. 按 [A] 键选择“BAL”。
2. 顺时针方向旋转 [VOLUME] 旋钮来增强来自右扬声器的声音，或逆时针方向旋转 [VOLUME] 旋钮来增强来自左扬声器的声音。  
\* 出厂缺省设定为“0”。（调节范围：L13 至 R13）
3. 调节完毕后，按几下 [A] 键直至成为功能模式。

### 调节衰减

1. 按 [A] 键选择“FAD”。
2. 顺时针方向旋转 [VOLUME] 旋钮来增强来自前扬声器的声音，或逆时针方向旋转 [VOLUME] 旋钮来增强来自后扬声器的声音。  
\* 出厂缺省设定为“0”。（调节范围：F12 至 R12）
3. 调节完毕后，按几下 [A] 键直至成为功能模式。

### 启动/关闭响度

响度效果增强低音和高音以产生自然的音调。当您用较低的音量听音乐时建议您利用响度效果。

1. 按住 [A] 键 1 秒钟以上启动响度效果。响度效果启动时，显示屏上显示“LOUD”字样。
2. 按住 [A] 键 1 秒钟以上关闭响度效果，显示屏上“LOUD”字样消失。

# 收音机操作方法

## FM 接收

为了增强 FM 的性能, **MAGI-TUNE®** 调谐器具有信号激发立体声控制和多道降噪电路。

## 改变接收区域

本装置最初设定为适用于美国, AM 的频率间隔为 10kHz, FM 的频率间隔为 200kHz。在美国国外使用本装置时, 频率接收范围可切换为下述间隔。

### ● 设定接收区域

1. 按 [FNC] 键选择收音机模式 (FM 或 AM)。
2. 按下 [DISP] 键时, 每次按住 [SPE/ANA] 键 2 秒钟以上, 接收区域即从美国境内转换为美国境外, 或从美国境外转换为美国境内。
  - \* 接收区域改变时, 所有电台预置存储内容都消失。

## 收听广播

1. 按 [FNC] 键选择收音机模式。
2. 按 [BND] 键选择收音机波段。每按一次该键收音机接收波段按下列顺序变换：  
FM1 → FM2 → FM3 → AM → FM1...
3. 按 [▶▶] 键或 [◀◀] 键调入所需的电台。

## 调谐

共有三种调谐模式, 搜索调谐、手动调谐和预置调谐。

## 搜索调谐

1. 按 [BND] 键选择所需波段 (FM 或 AM)。
  - \* 如果“MANU”在显示屏上点亮, 按住 [BND] 键 1 秒钟以上。则显示屏上的“MANU”消失, 此时可以进行搜索调谐。
2. 按 [▶▶] 键或 [◀◀] 键调入自动搜索电台。按了 [▶▶] 键时, 向更高的频率方向搜索电台; 如果按了 [◀◀] 键, 则向更低的频率方向搜索电台。

## 手动调谐

有两种方式: 快速调谐和步进调谐。在步进调谐模式下, 频率每次改变一步。在快速调谐模式下, 您可以快速调至所需的频率。

1. 按 [BND] 键选择所需的波段 (FM 或 AM)。
  - \* 如果“MANU”未在显示屏上点亮, 按住 [BND] 键 1 秒钟以上。则“MANU”在显示屏上点亮, 此时可以进行手动调谐。
2. 调入电台。

### ● 快速调谐:

按住 [▶▶] 键或 [◀◀] 键 1 秒钟以上手动调至所需的频率。

### ● 步进调谐:

按 [▶▶] 键或 [◀◀] 键手动调谐, 一次一步, 直至调入所需的频率。

## 存储预置电台

在存储器中共有 24 个预置位置可用来存储电台 (FM1、FM2、FM3 和 AM 波段各 6 个)。

## 手动存储

1. 用搜索调谐、手动调谐或预置调谐来选择希望的电台。
2. 按下 [M] 键。  
“CH”在显示器中发亮。
3. 顺时针或逆时针方向旋转 [PRESET] 旋钮来选择希望的预置存储器。
4. 按住 [M] 键 2 秒钟以上来将该电台存储在预置存储器中。

## 自动存储

自动存储功能可以选择最多 6 个电台并将其自动存入预置存储器。如果不能接收到所调入的所有 6 个电台, 则将接收效果最好的电台存入存储器, 而其他预置电台不变。

1. 按 [BND] 键选择所需波段 (FM 或 AM)。
2. 按住 [SCN] 键 2 秒钟以上。接收良好的电台被自动存储在预置存储器中。



### 调出预置电台

顺时针或逆时针方向旋转 [PRESET] 旋钮来自动调用所存储的广播频率。

1. 按 [BND] 键选择所需的波段 (FM1、FM2、FM3 或 AM)。
2. 顺时针或逆时针方向旋转 [PRESET] 旋钮来调用所存储的电台。

### 预置扫描

预置扫描按顺序接收存储在预置存储器中的电台。此功能在搜索存储器中的所需电台时很有用。

1. 按 [SCN] 键。
2. 调入了所需的电台时, 再按一次 [SCN] 键继续接收电台。

**注意:**

- 不要按住 [SCN] 键超过 2 秒钟, 否则将会启动自动存储功能开始存储电台。

### 即时电台调用 (ISR)

即时电台调用是一个特殊的预置电台功能, 只要按某一个键就可马上调入自己所喜欢的电台。在其他模式下 ISR 功能仍起作用。

#### ● ISR 存储

1. 选择好您希望存入 ISR 存储器的电台。
2. 按住 [ISR] 键 2 秒钟以上。


#### ● 用 ISR 键调用电台

在任意模式下按 [ISR] 键启动收音机功能, 调入所选择的广播电台。显示屏上出现“ISR”。再按 [ISR] 键回到原来的模式。

### 装入 CD

将 CD 放在插入槽的当中, 商标面朝上。CD 装好后自动播放。

**注意:**

- 不要将异物放入 CD 插入槽中。
- 本装置中装有 CD 时, 此时切勿再插入另一张 CD。
- 没有  标记的碟片和 CD-ROM 不能在此设备中播放。
- 有些在 CD-R 模式中录制的 CD 可能不能使用。
- 有些 CD 即使是在 CD-RW 模式中录制的, 但也不能使用。

### 听已装入的 CD

按 [FNC] 键选择 CD 唱机模式。此时播放自动开始。如若机内未装入 CD, 则显示屏上出现“NO DISC (无碟片)”。

### 暂停播放


1. 按 [▶||] 键暂停播放。“PAUSE” (暂停) 出现在显示屏上。
2. 要恢复播放 CD, 再按一下 [▶||] 键。

### 显示 CD 标题

本装置可以显示用本装置输入的用户标题的标题数据。

按 [DSP] 键显示标题。

**注意:**

- 本装置无法显示 CD-文本 CD 的标题。
- 如果播放的 CD 是 CD-文本 CD 或并未输入用户标题, 则“ NO-TTL” (用户标题) 出现在显示屏上。

### 退出 CD

按 [CD EJECT] 键退出 CD。将其从弹出位置取出。

- \* 如果将 5" CD (12 cm) 留在弹出位置有 15 秒钟, 该 CD 将自动重新装入 (自动重装)。
- \* 3" CD (8 cm) 无法自动重装。请务必在弹出后将其取出。

**注意:**

- 如果在自动重装前强行推入 CD, 则会损坏 CD。
- \* 在按了 [CD EJECT] 键 4 秒钟后自动选择收音机模式。

### 选择乐曲

#### ● 选择下一首乐曲

1. 按 [▶▶] 键移动到下一首乐曲的起始处之前。
2. 每按一下 [▶▶] 键, 乐曲进到下一首乐曲的起始处之前。

#### ● 选择前一首乐曲

1. 按 [◀◀] 键移回到当前乐曲的起始处。
2. 按 [◀◀] 键两次移动到前一乐曲的起始处。

### 快进/快倒

#### ● 快进

按住 [▶▶] 键 1 秒钟以上。

#### ● 快倒

按住 [◀◀] 键 1 秒钟以上。

### 首曲功能

首曲功能可使 CD 唱机重新设置到碟片的第一首乐曲。按 [BND] 键播放碟片的第一首乐曲(第 1 号乐曲)。

### 扫描播放

扫描播放自动播放碟片的每一个首曲的前 10 秒钟内容。本功能连续进行直至其被取消。

\* 当您想选择所需乐曲时扫描播放很有用。

1. 按 [SCN] 键开始乐曲扫描。显示屏上“T-SCAN”点亮。
2. 再按 [SCN] 键取消扫描播放功能。显示屏上“T-SCAN”消失, 当前乐曲继续播放。

### 重复播放

重复播放功能可连续播放当前乐曲。

本功能自动连续进行直至其被取消。

1. 按 [RPT] 键。显示屏上“T-REPEAT”点亮。当前乐曲被重复播放。
2. 再按 [RPT] 键取消重复功能。“T-REPEAT”从显示屏上消失, 恢复普通播放状态。

### 随机播放

随机播放功能随机选择碟片上的乐曲播放。

本功能自动连续进行直至其被取消。

1. 按 [RDM] 键。显示屏上“T-RANDOM”在显示屏点亮。某一乐曲被随机地选中并开始播放。
2. 再按 [RDM] 键取消随机播放功能。“T-RANDOM”从显示屏上消失, 恢复普通播放状态。

# 录音机操作方法

## 装入盒带

将盒带装入盒带插入口。显示屏上出现“LOADING”（装带），并开始播放。

- \* 装入金属带或铬带（70 微秒）时，本机将自动选择金属带设定。
- \* 装入或退出磁带后，盒带插入口门自动关闭（“自动关门功能”）。这样可以使录音机免于蒙尘。

## 听已装人的盒带

按 [FNC] 键选择录音机模式。录音机自动开始播放。如果未在本机中装入盒带，显示屏上出现“NO CASS”（无盒带）字样。

## 暂停播放

1. 按 [▶||] 键暂停磁带播放。显示屏上出现“PAUSE”（暂停）。
2. 再按一次 [▶||] 键恢复磁带播放。

## 退出盒带

按 [TAPE EJECT] 键退出磁带。并将其从退出位置取出。

- \* 按了 [TAPE EJECT] 键 4 秒钟之后，自动选择收音机模式。

## 磁带翻面

按 [BND] 键改变走带方向并播放。

- \* 录音机自动翻转磁带方向并在磁带的末尾处开始播放（自动翻面）。

## 快进/快倒

- 快进：

按 [▶▶] 键。

- 快倒：

按 [◀◀] 键。

- 取消 FF/REW：

按 [▶||] 键。

- 在使用 FF 或 REW 时听其他音源（“监控模式”）

要在录音机搜索时听 CD 唱机、CD/MD 换片机或 AM/FM 收音机，请按 [FNC] 键选择所需的模式。磁带到头时录音机将自动停止。

注意：

- 用 [FNC] 键选择录音机功能恢复磁带播放。

## APC（自动程控）功能

利用 APC 功能，您可以使磁带跳到下一首乐曲的起始位置或回到当前乐曲的开头位置。

- 跳到下一首乐曲（“APC-FF”）

在播放磁带时，按两下 [▶▶] 键，快进到下一首乐曲。下一首乐曲开始播放。

- 跳回当前乐曲的开头处（“APC-REW”）

在播放磁带时，按两下 [◀◀] 键，倒回到当前乐曲的开头。从当前乐曲的起始处开始播放。

- 取消 FF/REW APC 恢复播放

按 [▶||] 键。

- 在使用 APC 时听其他音源（“监控模式”）

要在录音机搜索时听 CD 唱机、CD/MD 换片机或 AM/FM 收音机，请按 [FNC] 键选择所需的模式。录音机找到下一曲（用 FF APC）或当前乐曲的开始处（用 REW APC）时将自动停止。

注意：

- 用 [FNC] 键选择录音机功能恢复磁带播放。

## 杜比降噪系统

杜比降噪系统在录音过程中增加了高频声音信号的音量电平，在播放中将其设回到原来的音量。此系统降低了盒式磁带中普遍存在的嘶嘶噪音。

- \* 杜比降噪经杜比实验室许可证公司许可制造。杜比和双 D 标志是杜比实验室许可证公司的注册商标。

按 [RDM] 键选择杜比降噪。显示屏上“B NR”点亮。每按一下 [RDM] 键，杜比降噪在 B NR 和 OFF 之间切换。

### 磁带曲头扫描

磁带曲头扫描可播放磁带上所有乐曲的前 10 秒钟的内容。此功能在磁带上持续进行，直至被取消。

1. 按 [SCN] 键开始磁带曲头扫描。显示屏上“SCAN”点亮。
2. 再按一次 [SCN] 键取消磁带曲头扫描。“SCAN”从显示屏上消失，当前乐曲继续播放。
  - \* 在磁带曲头扫描中磁带到头时，录音机自动翻转磁带方向并继续进行磁带曲头扫描。
  - \* 如果在磁带曲头扫描中选择另一模式，当找到下一首乐曲（APC 功能）时，录音机自动使磁带曲头扫描停止。

### 磁带重复播放

磁带重复播放功能可连续播放当前乐曲。此功能自动持续进行直至被取消。

1. 按 [RPT] 键。显示屏上的“REPEAT”指示点亮，当前乐曲重复播放。
2. 再按一次 [RPT] 键取消磁带重复播放。“REPEAT”从显示屏上消失并恢复普通播放。

### 磁带空白跳跃

磁带空白跳跃功能可以跳过磁带上 12 秒以上的空白。

1. 按住 [RPT] 键 1 秒钟以上。显示屏上“BLS”点亮，录音机快进到下一段乐曲。
2. 再按一次 [RPT] 键取消磁带空白跳跃功能。“BLS”从显示屏上消失并恢复普通播放。

#### 注意：

下列质量的磁带可能无法实现 APC、磁带曲头扫描、磁带重复播放和磁带空白跳跃等功能：

- 录音电平过低的磁带。
- 乐段之间噪音过大的磁带。
- 乐段中暂停过长的磁带。
- 乐段之间空白小于 4 秒钟的磁带。

# DSP/EQ 操作方法

## DSP 菜单选择方法

关于 DSP 功能：

数字音频处理器 (DSP) 使用数字信号处理技术在汽车内不至于造成音质降低而能够创造出模拟音频环境。

1. 按下 [DSP] 键。DSF 指示灯将闪烁。
2. 顺时针或逆时针方向旋转 [PRESET] 旋钮来选择 DSP 菜单。

### ● DSP 菜单

STADIUM : 不带屋顶或围墙的露天大型运动场。

HALL : 大型音乐厅。

CLUB : 带强烈低音的俱乐部。

CHURCH : 拱形屋顶的教堂。

L-ROOM : 家庭的聆听房间。

3. 按下 [DSP] 键来回到初始模式。

## DSP 效果接通或断开方法

按住 [DSP] 键 1 秒钟以上。

每次按住 [DSP] 键，功能在接通 (ON) 和断开 (OFF) 之间交替。

当 DSP 功能接通时，DSF 指示灯发亮。

## 效果调整方法

关于声音效果：

“效果”涉及声音反射墙壁或其他表面时产生的特有的混响和回波。本机能够调节回波或混响的分量。

1. 按下 [DSP] 键。DSF 指示灯闪烁。
2. 顺时针或逆时针方向旋转 [PRESET] 旋钮来选择希望的 DSP 菜单并调整它们。
3. 按住 [T] 键 1 秒钟以上。
4. 顺时针或逆时针方向旋转 [VOLUME] 旋钮来调整效果。
  - 所加的效果分量能够在 0-70% 范围内进行调整。
5. 按下 [T] 键来回到 DSP 菜单。所选择的 DSP 菜单将出现。
6. 按下 [DSP] 键来回到初始模式。

## EQ 菜单选择方法

关于 EQ 功能：

对于所选择的频率范围，均衡器可用以校正和改变频率响应，为此可供创造出自己独有的声音。

1. 按下 [EQ] 键。
2. 顺时针或逆时针方向旋转 [PRESET] 旋钮来选择希望的 EQ 菜单。

### ● EQ 菜单

IMPACT : 增强低频和高频。

B-BOOST : 增强低频。

ACOUSTIC : 增强中频 (歌声)。

FLAT : 原来的声音。

3. 按下 [EQ] 键来回到初始模式。

## EQ 效果接通或断开操作

按住 [EQ] 键 1 秒钟以上。

每次按这种方法按下 [EQ] 键，功能在接通 (ON) 或断开 (OFF) 之间交替。当 EQ 功能起作用 (ON) 时，G.EQ 指示灯发亮。

# 各模式共同的操作方法

## 设定时钟

1. 按住 [T] 键 1 秒钟以上切换到调整选择显示。
2. 按 [▶▶] 键或 [◀◀] 键来选择“CLOCK\_ [E]” (时钟)。
3. 按 [▶▶▶] 键。
4. 按 [▶▶] 键或 [◀◀] 键来选择小时或分钟。
5. 旋转 [VOLUME] 旋钮来设定正确的时间。  
\* 时钟以 12 小时制显示。
6. 按 [▶▶▶] 键将时间存入存储器。
7. 按 [T] 键返回原来的模式。

### 注意：

- 如果时钟显示出来时仅有点火装置打开，您就无法设定时钟。如果耗尽或取出汽车电池，或取出本装置，则时钟被重设。在设定时钟时，如果选择了其他按键或操作，则时钟设定模式被取消。

## 切换频谱分析器显示图形

您可以选择 8 种图形之一，或将其设定为关闭。

\* 出厂缺省设定为“PATTERN 1”。

每按一下 [SPE/ANA] 键，频谱分析器显示图形按下列次序变化：

PATTERN 1 (图形 1) → PATTERN 2 (图形 2)  
→ PATTERN 3 (图形 3) → PATTERN 4 (图形 4)  
→ PATTERN 5 (图形 5) → PATTERN 6 (图形 6)  
→ PATTERN 7 (图形 7) → SCAN (扫描)  
→ OFF (关闭) → PATTERN 1...

### 注意：

在下列操作中，频谱分析器显示不能使用。

- 收音机模式下的搜索调谐和自动存储。
- 静音或暂停。
- 显示屏上出现“NO DISC”或出错信息时。

## 设定频谱分析器的灵敏度

\* 出厂缺省设定为“MID” (中)。

1. 按住 [T] 键 1 秒钟以上切换到调整选择显示。
2. 按 [▶▶] 或键 [◀◀] 键来选择“ANA SENS”。
3. 顺时针或逆时针方向旋转 [VOLUME] 旋钮来设定频谱分析器的灵敏度。  
您可以选择“LOW” (低)、“MID” (中) 或“HIGH” (高) 之一作为频谱分析器的灵敏度。
4. 按 [T] 键返回原来的模式。

## 设定频谱分析器显示的速度

\* 出厂缺省设定为“HIGH”。

1. 按住 [T] 键 1 秒钟以上切换到调整选择显示。
2. 按 [▶▶] 键或 [◀◀] 键来选择“ANASPD”。
3. 顺时针或逆时针方向旋转 [VOLUME] 旋钮来设定频谱分析器显示的速度。  
您可以选择“LOW” (低)、“MID” (中) 或“HIGH” (高) 之一作为频谱分析器显示的速度。
4. 按 [T] 键返回原来的模式。

## 输入标题

对于广播电台或电视台和 CD，可以将最多 10 个字符的标题存入存储器并显示出来。各模式可输入的标题数如下所示：

模式	标题数
收音机模式	30 个标题
CD 唱机模式	100 个标题
电视机模式	15 个标题

CD 换片机模式	标题数
连接了 CDC655z	60 个标题
连接了 CDC655Tz	100 个标题
连接了 CDC1255z	50 个标题

1. 按 [FNC] 键选择要输入标题的模式 (收音机、CD 唱机、CD 换片机或电视机)。  
\* 用本装置无法输入 MD 的标题。
2. 选择并播放 CD 或 CD 换片机中的 CD，或调入所需的电视或广播电台。
3. 按 [DISP] 键显示标题。
4. 按 [T] 键。“TITL” (标题) 出现在显示屏上，光标位置闪烁。
5. 按 [▶▶] 键或 [◀◀] 键来移动光标。
6. 按 [DISP] 键选择字符。每按一下 [DISP] 键，字符按下列次序改变：  
大写字母 → 小写字母 → 数字/符号 → 大写字母...
7. 顺时针或逆时针方向旋转 [VOLUME] 旋钮来选择所需的字符。按 [▶▶] 键将光标移到下一个字符；按 [◀◀] 键将光标移到前一个字符。
8. 重复步骤 5 至 7 输入标题的其他字符，最多可输入 10 个字符。
9. 按住 [▶▶▶] 键 2 秒钟以上将标题存入存储器并取消标题输入模式。

### 清除标题

1. 播放要清除标题的 CD 或 CD 换片机中的 CD，或调入要清除标题的广播电台或电视台。
2. 按 [DISP] 键显示子标题。
3. 按 [T] 键。“TITL”出现在显示屏上，显示切换为标题输入显示。
4. 按 [BND] 键。
5. 按住 [▶|||] 键 2 秒钟以上清除标题并取消标题输入模式。

### 信息显示

装置电源接通或关闭时，有信息显示出来。用户可以启动或关闭此信息显示。

\* 出厂缺省设定为“ON”（启动）。

1. 按住 [T] 键 1 秒钟以上切换到调整选择显示。
2. 按 [▶▶] 键或 [◀◀] 键来选择“MESSAGE”（信息）。
3. 时针方向旋转 [VOLUME] 旋钮来将信息显示设定成“ON”，或逆时针方向旋转 [VOLUME] 旋钮来将信息显示设定成“OFF”。
4. 按 [T] 键返回原来的模式。

### 时钟功能

#### ● 调准时间

关于“CLOCK INDICATION”…（时钟显示）

本装置在汽车发动机运转时（ACC 设为 ON 时）显示时钟。

时钟以 12 小时制显示。

1. 持续按 [T] 键（约 1 秒钟）。显示“ANA\_SENS”。
2. 按 [◀◀] 或 [▶▶] 键选择“CLOCK\_ E”。
3. 按 [▶|||] 键显示时钟。  
时钟显示“AM 12:00”后转向“时间设定”模式。
4. 按 [◀◀] 或 [▶▶] 键选择正闪烁的“HOUR”或“MINUTE”可以调节的项目。
5. 按 [▶▶] 或 [◀◀] 键调准时间。
6. 按 [▶|||] 键。
7. 按 [T] 键。

本装置回到原有显示。

### 对移动电话启动音频静音

当移动电话在汽车中响起铃声时，要自动对音频信号进行静音，需对本装置进行特殊的布线。

\* 此功能并非对所有的移动电话都有效。请向贵地经授权的 Clarion 经销商咨询，以获得正确安装及兼容性的有关信息。

### 调节标题滚动显示的方法

有 3 种在显示屏上滚动显示标题的方法。您可以选择所需的方法。

\* 出厂缺省设定为“AUTO”。

1. 按住 [T] 键 1 秒钟以上切换到调整选择显示。
2. 按 [▶▶] 键或 [◀◀] 键来选择“SCROLL”。
3. 旋转 [VOLUME] 旋钮来改变显示。每次顺时针或逆时针方向旋转 [VOLUME] 旋钮时，显示将在两种可获得的显示方法之间变化。
4. 按 [T] 键返回原来的模式。

# 8. 附件操作方法

## CD/MD 换片机操作方法

### CD/MD 换片机功能

通过 CeNET 电缆连接了选购的 CD/MD 换片机时,本装置即控制所有 CD/MD 换片机的功能。本装置一共可控制 2 台换片机 (MD 和/或 CD)。

按 [FNC] 键选择 CD(MD)换片机模式开始播放。如果连接了 2 台 CD (MD) 换片机,则按 [FNC] 键选择用于播放的 CD (MD) 换片机。

- \* 如果“NO MAGA”出现在显示屏上,请将碟匣插入 CD 换片机。在唱机装入 (检查) 碟匣时,“CHECK”出现在显示屏上。
- \* 当显示屏上显示“NO DISC”字样时,请退出碟匣将碟片插入每一个碟片槽中。再将碟匣放回 CD 换片机。
- \* 如果“NO DISC”出现在显示屏上,请将 MD 装入 MD 换片机。

### 警告

CD 换片机无法播放 CD-ROM 和 CD-R 的光碟。

### 暂停播放

1. 按 [▶||] 键暂停播放。“PAUSE”出现在显示屏上。
2. 要恢复播放,再按一下 [▶||] 键。

### 显示 CD 标题

本装置可以显示用本装置输入的 CD-文本 CD 的标题数据及用户标题。

\* 仅当本机连接至 CDC655Tz 时,才可用本机显示 CD-文本 CD 的标题数据。

- 连接至 CDC655z 或 CDC1255z 时

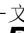

按 [DISP] 键显示标题。

- 连接至 CDC655Tz 时

1. 按 [DISP] 键显示标题。
2. 每当您按住 [DISP] 键 1 秒钟以上,标题显示按下列次序改变:

用户标题 (碟片) → CD-文本标题 (碟片) →  
CD-文本标题 (乐曲) → 用户标题 (碟片) …

### 注意:

- 如果播放中的 CD 不是 CD-文本 CD 或未输入用户标题,则“USER TTL”出现在显示屏上。
- 如果 CD-文本 CD 未输入其碟片标题或乐曲标题,则“TEXT  TTL”或“TEXT  TTL”出现在显示屏上。


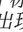
### 切换碟片标题和乐曲标题 (MD)

本装置可以显示已经输入到 MD 上的碟片标题和乐曲标题。标题最多可有 128 个字节长度以供标题滚动显示。

\* 无法用本装置为 MD 输入标题

1. 按 [DISP] 键显示标题。碟片标题和乐曲标题显示出来。
2. 每当您按住 [DISP] 键 1 秒钟以上,显示在碟片标题和乐曲标题之间切换。

### 注意:

- 如果 MD 没有输入其碟片标题或乐曲标题,“ TITLE”或“ TITLE”出现在显示器上。

### 标题滚动程序

将“AUTO SCROLL”设定成“AUTO”或“OFF”。(工厂初期设定为“AUTO”。见“各模式共同的操作方法”一节中“调节标题滚动显示的方法”小节。)

- 设定成“AUTO”时

标题被自动保持滚动。

- 设定成“OFF”时

按下 [T] 键来滚动标题。

### CD/MD 选择方法

顺时针或逆时针方向旋转 [PRESET] 旋钮来选择 CD 或 MD。

\* 用以选择所装入碟片的号码,然后开始播放。

### 选择乐曲

- 选择下一首乐曲

1. 按 [▶▶] 键移动到下一首乐曲的起始处之前。
2. 每按一下 [▶▶] 键,乐曲进到下一首乐曲的起始处之前。

- 选择前一首乐曲

1. 按 [◀◀] 键移回到当前乐曲的起始处。
2. 按 [◀◀] 键两次移动到前一乐曲的起始处。



### 快进/快倒

#### ● 快进

按住 [▶▶] 键 1 秒钟以上。

#### ● 快倒

按住 [◀◀] 键 1 秒钟以上。

### 扫描播放

扫描播放自动寻找并播放碟片上每首乐曲的前 10 秒钟内容。本功能将在碟片上连续进行直至其被取消。

\* 当您想选择所需的乐曲时扫描播放很有用。

1. 按 [SCN] 键开始乐曲扫描。“T-SCAN”在显示屏上点亮。
2. 要取消扫描播放, 请再按一下 [SCN] 键。“T-SCAN”从显示屏上消失, 当前的乐曲继续播放。

### 碟片扫描播放

碟片扫描播放寻找并播放当前选择的 CD/MD 换片机中每张碟片上第一首乐曲的前 10 秒钟内容。本功能自动连续进行直至其被取消。

\* 当您想选择所需的 CD/MD 时碟片扫描播放很有用。

1. 按住 [SCN] 键 1 秒钟以上。“DISC▶”和“D-SCAN”在显示屏上点亮, 碟片扫描播放开始。
2. 要取消碟片扫描播放, 请再按一下 [SCN] 键。“DISC▶”和“D-SCAN”从显示屏上消失, 当前的乐曲继续播放。

### 重复播放

重复播放功能连续播放当前乐曲。本功能自动连续进行直至其被取消。

1. 按 [RPT] 键。“T-REPEAT”在显示屏上点亮, 当前乐曲被重复播放。
2. 要取消重复播放, 请再按一下 [RPT] 键。“T-REPEAT”从显示屏上消失, 恢复普通播放。

### 碟片重复播放

在当前碟片上的所有乐曲都播放完之后, 碟片重复播放功能会自动从第一首乐曲开始重新播放当前碟片。本功能自动连续进行直至其被取消。

1. 按住 [RPT] 键 1 秒钟以上。“DISC▶”和“D-REPEAT”在显示屏上点亮, 碟片重复播放开始。
2. 要取消碟片重复播放, 请再次按住 [RPT] 键。“DISC▶”和“D-REPEAT”从显示屏上消失, 恢复当前乐曲的普通播放。

### 随机播放

随机播放功能以非特定顺序选择和播放碟片上的乐曲。本功能自动连续进行直至其被取消。

1. 按 [RDM] 键。“T-RANDOM”在显示屏上点亮, 随机播放开始。
2. 要取消随机播放, 请再按一下 [RDM] 键。“T-RANDOM”从显示屏上消失, 恢复普通播放。

### 碟片随机播放

碟片随机播放功能自动以非特定顺序选择和播放乐曲或碟片。本功能自动连续进行直至其被取消。

1. 按住 [RDM] 键 1 秒钟以上。“DISC▶”和“D-RANDOM”在显示屏上点亮, 碟片随机播放开始。
2. 要取消碟片随机播放, 请再次按住 [RDM] 键。“DISC▶”和“D-RANDOM”从显示屏上消失, 从当前乐曲开始恢复普通播放。

# 电视机操作方法

## 电视调谐器功能

当通过 CeNET 电缆连接选购的电视调谐器时，本机控制电视调谐器的全部功能。观看电视节目需要电视调谐器和显示器。

### 观看电视节目

1. 按 [FNC] 键选择电视机模式。
2. 按 [BND] 键选择所需的电视频段 (TV1 或 TV2)。每按一次此键，输入选择在 TV1 和 TV2 之间转换。
3. 按 [◀] 键或 [▶] 键调入想看的电视台。

### 观看录像

电视调谐器有一个可以连接一台外部装置的录像机输入端子。在电视调谐器的输入端子上连接 12V 放像机 (VCP) 或录像机 (VCR)。

1. 按 [RDM] 键选择录像机。
2. 按 [RDM] 键回到电视节目。

### 调谐

共有三种调谐模式，搜索调谐、手动调谐和预置调谐。

### 搜索调谐

1. 按 [BND] 键选择所需电视频段 (TV1 或 TV2)。
  - \* 如果显示屏上“MANU (手动)”点亮，按住 [BND] 键 1 秒钟以上。显示屏上的“MANU”消失，此时可进行搜索调谐。
2. 按 [◀] 键或 [▶] 键自动搜索电视台。按 [▶] 键自动向高频段方向搜索下一个电视台；按 [◀] 键自动向低频段方向调谐。

### 手动调谐

有两种方式：快速调谐和步进调谐。

当处于步进调谐模式时，频率一次改变一步；当处于快速调谐模式时，可以快速调谐至所需的频率。

1. 按 [BND] 键选择所需频段 (TV1 或 TV2)。
  - \* 如果显示屏上“MANU (手动)”未点亮，按住 [BND] 键 1 秒钟以上。显示屏上“MANU”点亮，此时可进行手动调谐。
2. 调入某一电视台。

#### ● 快速调谐：

按住 [◀] 键或 [▶] 键 1 秒钟以上快速向上向下调谐，直至调到所需的电视台。

#### ● 步进调谐：

按 [◀] 键或 [▶] 键手动调入电视台，一次一个频道。

### 调用一预置电台

在存储器中一共可存储 12 个电视台 (TV1 和 TV2 各 6 个)。您可以选择您喜欢的电视台并将其存入存储器供以后调用。

1. 按 [BND] 键选择所需的电视频段 (TV1 或 TV2)。
2. 要调用一个已存储的电视台时，顺时针或逆时针方向旋转 [PRESET] 旋钮来选择该电台。

### 手动存储

1. 用搜索调谐、手动调谐或预置调谐来选择希望的电台。
2. 按下 [M] 键。“CH”在显示器中发亮。
3. 顺时针或逆时针方向旋转 [PRESET] 旋钮来选择希望的预置存储器。
4. 按住 [M] 键 2 秒钟以上来将该电台存储在预置存储器中。

### 自动存储

自动存储功能自动选择 6 个电视台并将各台存入预置存储器。

如果没有 6 个接收良好的电视台，则存储器中该位置上的原存储电视台不会被覆盖，只有较强的台被存入存储器。

1. 按 [BND] 键选择所需的电视频段 (TV1 或 TV2)。
2. 按住 [SCN] 键 2 秒钟以上。接收良好的电台被自动存储在预置存储器中。

### 预置扫描

预置扫描允许用户在自动进到下一个预置之前观看各预置位置的节目。这一功能在搜寻存储器中的所需电视台时很有用。

1. 按 [SCN] 键。
2. 当找到所需电视台后，再按一次 [SCN] 键以继续接收该电视台。

**注意：**

- 请勿按住 [SCN] 键 2 秒钟以上，否则将会启动自动存储功能开始将电视台存入存储器。

### 设定分集调谐用接收器

您可以改变连接在电视调谐器上的电视天线的接收设定。

1. 按住 [T] 键 1 秒钟以上切换至调节选择显示。
2. 按 [◀◀] 键或 [▶▶] 键选择“TV DIVER”。
3. 时针方向旋转 [VOLUME] 旋钮来设定成“ON”或逆时针方向旋转来设定成“OFF”。

● ON:

在“ON”位置，电视调谐器通过选择信号最强的天线来增强视觉信号。为此汽车上需有一条以上的天线。

● OFF:

在汽车上只使用一条天线时，请将电视分集调整设定至关闭位置。

4. 按 [T] 键回到原来的模式。

# 9. 故障排除

	现象	原因	措施
整机	电源不通。 (没有声音。)	保险丝熔断。	换上同样容量的保险丝。如果再次熔断, 请向您的经销商咨询。
		接线有误。	请向您的经销商咨询。
	当本机与功放或有源天线相接时没有声音。	有源天线接地短路或功放和有源天线的遥控需要大电流。	<ol style="list-style-type: none"> <li>1. 关闭本机电源。</li> <li>2. 断开与有源天线相接的所有接线。用欧姆表检查每根电线是否接地短路。</li> <li>3. 重新接通本机电源。</li> <li>4. 重新将功放遥控线与有源天线逐根相接起来。如果在接线完毕前, 功放的电源就切断了, 则需使用外部继电器以提供遥控所需的电压(需要大电流)。</li> </ol>
整机	按键时无反应。 显示不准确。	由于噪声等原因微处理器工作异常。	<p>用一细棒按重设键。</p> 
	无法装入 CD。 有跳声或噪音。	已装入其他 CD。 CD 脏了。 唱片被严重刮伤或弯曲。	装入新的 CD 前请先退出原有的 CD。 请用软布清洁 CD。 请换用无刮伤、未弯曲的 CD。
CD 唱机	刚接通电源后音质不好。	汽车停在潮湿的地方时, 在机内光学镜头上形成了水滴。	接通电源使其干燥 1 小时左右。
录音	音质不好。	放音磁头脏了。	请用清洁带等清洁磁头。
		[RDM] 键未按下。	欣赏以 Dolby NR 录制的录音带时, 请按 [RDM] 键并选择 B NR。

# 10. 错误显示

如果发生错误，显示屏上显示下述信息之一。  
请采取以下措施解决问题。

	错误显示	原因	解决措施
CD 唱机	<b>ERROR 2</b>	CD 卡在 CD 卡座中退不出来。	这是 CD 卡座的机械故障。请向经销店咨询。
	<b>ERROR 3</b>	由于刮伤等原因 CD 无法播放。	用无刮伤、未扭曲的 CD 更换。
	<b>ERROR 6</b>	CD 被倒置地放入 CD 卡座中且不能播放。	退出 CD，然後重新装入。
录音机	<b>ERROR 1</b>	由於磁帶破損（诸如断带等），磁帶无法播放。	退出磁帶，换上新的。
	<b>ERROR 2</b>	夹带，无法播放。	取出夹带或受伤带。
	<b>ERROR 4</b>	无法检出磁帶类型。	录音机故障，请向经销商咨询。
	<b>ERROR 8</b>	夹带，无法退出。	消除夹带原因。
CD 换片机	<b>ERROR 2</b>	CD 换片机中的 CD 未装好。	这是 CD 换片机的机械故障。请向经销店咨询。
	<b>ERROR 3</b>	CD 换片机中的 CD 由于刮伤等原因无法播放。	用无刮伤、未扭曲的 CD 更换。
	<b>ERROR 6</b>	CD 换片机中的 CD 由于装反了面无法播放。	退出碟片后将其重新装好。
MD 换片机	<b>ERROR H</b>	当 MD 换片机中的温度过高，播放已自动停止时，此信息显示出来。	降低周围的温度，等待片刻，使 MD 换片机冷却下来。
	<b>ERROR 2</b>	MD 换片机中的 MD 未装好。	这是 MD 换片机的机械故障。请向经销店咨询。
	<b>ERROR 3</b>	MD 换片机中的 MD 由于刮伤等原因无法播放。	用无刮伤、未扭曲的 MD 更换。
	<b>ERROR 6</b>	将未录内容的 MD 装入 MD 换片机时，此信息显示出来。	将录有内容的 MD 装入 MD 换片机。

如果出现了以上未提及的错误显示，请按重置键。如果问题仍得不到解决，请关闭电源并向经销店咨询。

# 11. 规格

## FM 调谐器

频率范围：

87.9 MHz 到 107.9 MHz

实际灵敏度：

11 dBf

50 dB 无噪声灵敏度：

17 dBf

相隔信道专一度：

75 dB

立体声分离度 (1 kHz)：

35 dB

频率响应 ( $\pm 3$  dB)：

30 Hz 到 15 kHz

## AM 调谐器

频率范围：

530 kHz 到 1710 kHz

实际灵敏度：

25  $\mu$ V

## CD 唱机

频率响应 ( $\pm 1$  dB)：

10 Hz 到 20 kHz

信噪比 (1 kHz)：

100 dB

动态范围 (1 kHz)：

95 dB

谐波失真：

0.01%

## 磁带卡座

抖晃率 (WRMS)：

0.06%

信道分离 (1 kHz)：

45 dB

频率响应 ( $\pm 3$  dB)

120  $\mu$ s (普通)：

30 Hz 到 18 kHz

70  $\mu$ s (铬带, 金属带)：

30 Hz 到 20 kHz

信噪比：

70  $\mu$ s (CrO<sub>2</sub>, FeCr, Metal)：58 dB

Dolby B NR：67 dB

## 音频

最大功率输出：

200 W (50 W  $\times$  4 声道) (JEITA)

连续平均功率输出：

16 W  $\times$  4, 接 4  $\Omega$ , 20 Hz 到 20 kHz, 1%THD

低音控制 (30 Hz)：

$\pm 13$  dB

高音控制 (10 kHz)：

$\pm 10$  dB

线路输出 (CD 1 kHz)：

1.8 V

## 整机

电源电压：

14.4 V DC (10.8 V 到 15.6 V 均可), 负极接地

耗电：

小于 15 A

扬声器阻抗：

4  $\Omega$  (4  $\Omega$  到 8  $\Omega$  均可)

重量/主机：5.7 lb (2.6 kg)

重量/遥控器：1 oz. (30 g) (含电池)

尺寸/主机：

7" (178 mm) 宽  $\times$  3-15/16" (100 mm) 高  $\times$

6-1/8" (155 mm) 深

尺寸/遥控器：

1-3/4" (44 mm) 宽  $\times$  4-5/16" (110 mm) 高  $\times$

1-1/8" (27 mm) 深

注意：

- 本规格符合 JEITA 标准。
- 由於产品更新, 设计和规格如有变动恕不另行通知。







## Free Manuals Download Website

<http://myh66.com>

<http://usermanuals.us>

<http://www.somanuals.com>

<http://www.4manuals.cc>

<http://www.manual-lib.com>

<http://www.404manual.com>

<http://www.luxmanual.com>

<http://aubethermostatmanual.com>

Golf course search by state

<http://golfingnear.com>

Email search by domain

<http://emailbydomain.com>

Auto manuals search

<http://auto.somanuals.com>

TV manuals search

<http://tv.somanuals.com>