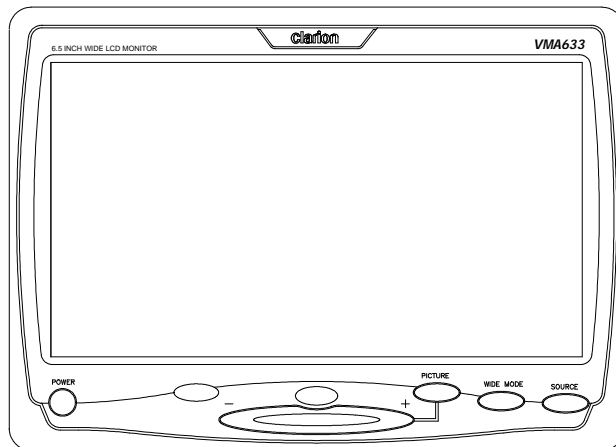


Clarion

VMA633



**6.5" WIDE ACTIVE MARTIX TFT
COLOUR LCD MONITOR**

**OWNER'S MANUAL
INSTALLATION GUIDE**

WARNING!

THE CLARION VMA633 LCD MONITOR IS DESIGNED FOR NAVIGATION PURPOSE AND REAR SEAT PASSENGER VIEWING ONLY.

THIS PRODUCT IS NOT INTENDED FOR VIEWING MOVIES BY THE DRIVER WHILE THE VEHICLE IS IN MOTION. SUCH USE MAY DISTRACT THE DRIVER OR INTERFERE WITH THE DRIVER'S SAFE OPERATION OF THE VEHICLE AND MAY RESULT IN SERIOUS INJURY OR DEATH. SUCH USE MAY ALSO VIOLATE STATE LAW. CLARION DISCLAIMS ANY LIABILITY FOR ANY BODILY INJURY, INCLUDING FATALITIES, OR PROPERTY DAMAGE THAT MAY RESULT FROM ANY IMPROPER OR UNINTENDED USES OF THIS PRODUCT.

INTRODUCTION:

The VMA633 is a TFT active matrix colour LCD monitor that delivers a striking picture with superior image resolution. The Clarion VMA633 is a full-feature 6.5" LCD Colour Monitor and has the following topics:

- 6.5" wide-screen colour LCD panel.
- A bright vibrant clear screen.
- Video composite & RGB 8-pin DIN Style inputs
- Built-in speaker for navigation announcements
- Universal mount for easy installation in different car types

ABOUT THIS MANUAL AND WARRANTY:

To start enjoying your new Clarion VMA633 monitor, please read the instructions listed in this manual. Keep all instructions for future reference. Please fill out and send in the enclosed warranty card to protect your purchase and aid in warranty service. Also, save your original sales receipt as proof of purchase.

TABLE OF CONTENTS:

INTRODUCTION, ABOUT THIS MANUAL & TABLE OF CONTENTS	1
PRECAUTIONS & DESCRIPTION OF BUTTONS AND CONNECTORS	2
DESCRIPTION OF PICTURE ADJUSTMENT	3
CARE AND MAINTENANCE	3
WIRING PRECAUTIONS	3
DESCRIPTION OF INSTALLATION	4
TROUBLESHOOTING	5
SPECIFICATIONS	5

PRECAUTIONS:

This monitor is intended for use in DC 12V, negative ground vehicles.

Do not operate the monitor in ways other than described in this guide, doing so may cause damage and void the warranty.

Be careful not to run down the car's battery while using a multimedia system with the engine stopped. Doing so may damage the vehicle's battery or the multimedia system.

Do not disassemble or modify monitor. Doing so may damage it and void the warranty.

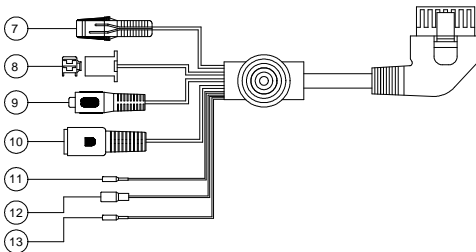
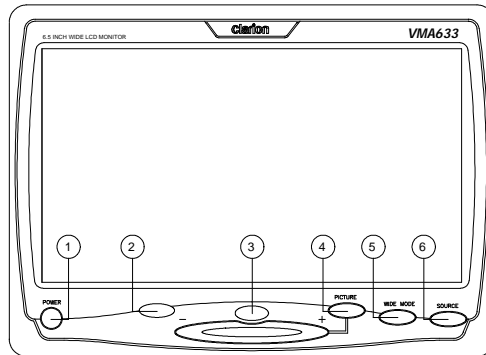
Keep moisture away from the set. Water and humidity may damage the internal circuitry.

Do not let the monitor become overheated. If the temperature inside the vehicle is high or the monitor has been exposed to direct sunlight, lower the monitor's temperature before use. (The liquid crystal panel operates within a temperature range of -1-45° C (30-113° F).

In extremely cold temperature, the movement of the picture may slow and the picture may become dark. The monitor will work normally once the temperature increase to its normal operation range.

Small black or shiny dots may be seen inside the liquid crystal panel. These are normal when manufacturing liquid crystal products.

DESCRIPTION OF BUTTON AND CONNECTORS:



- | | | |
|-----------------------|--------------------------------|--|
| 1. Power Button | 6. Source Controls | 11. Speaker -
(White w. Black line) |
| 2. Dimmer Sensor | 7. Video Composite Input | 12. Speaker + (White) |
| 3. Remote Sensor | 8. 2-Pin Molex Power Connector | 13. Dimmer Lead
(Orange) |
| 4. Picture Controls | 9. IR Serial Remote OUT | |
| 5. Wide Mode Controls | 10. 8-Pin RGB input DIN cable | |

DESCRIPTION BUTTONS

DESCRIPTION OF PICTURE ADJUSTMENT:

Press the PICTURE SELECT button several times, the screen will display the picture control Bar in the following order sequentially.

(BLANK)→BRIGHTNESS→CONTRAST→COLOUR→TINT→DIMMER→MEM RESET

Before the display disappears, use the PICTURE SELECT UP (VOLUME UP) button or PICTURE SELECT DOWN (VOLUME DOWN) button, to adjust the picture quality.



DOWN UP

Press the WIDE/NORMAL button, the screen will display 16:9 or 4:3 picture.

DIMMER : Press UP、DOWN or Brightness to choose seven different sets.

Auto	Brightness automatically
DASHBOARD	Controlled by Dashboard illumination

MEM RESET : Press UP or DOWN, all sets return the initial value.

CARE AND MAINTENANCE:

Cleaning the Cabinet:

Use a soft, dry cloth to gently wipe off any dirt.

Do not use benzene, thinner, car cleaner, etc., as these substances may damage the cabinet or cause the point to peel.

Cleaning the LCD Panel:

Use a soft, dry cloth to gently wipe off any dust.

The surface is easily scratched, do not rub it with hard objects.

WIRING PRECAUTIONS:

Read all wiring precautions. If you are not sure of the connections, contact your authorized Clarion dealer.

1. Disconnect the negative (-) lead from the vehicle's battery before making any connections.
2. When creating passage holes through metal or plastic, use grommets to eliminate any sharp edges created during drilling. This will protect power or video wires from nicks or damaged causing a possible short circle or failure.
3. When connecting the ground lead, fasten the ground lead (black) securely to a clean metal plate on the vehicle. Use sandpaper to remove any paint from the surface where the ground terminal is attached.

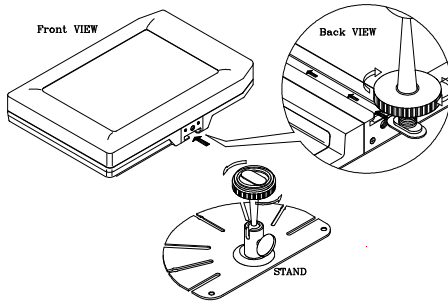
DESCRIPTION OF INSTALLATION:

Now the VMA633 is useable with including mounting bracket. The VMA633 monitor will accept a video signal from any video source with composite video output.

The Infrared

(IR) sensor will work with a Clarion NAX9500E using the CCE-001 adapter and IR extension cable, which are provided.

Clarion VMA633 6.5" TFT LCD Monitor

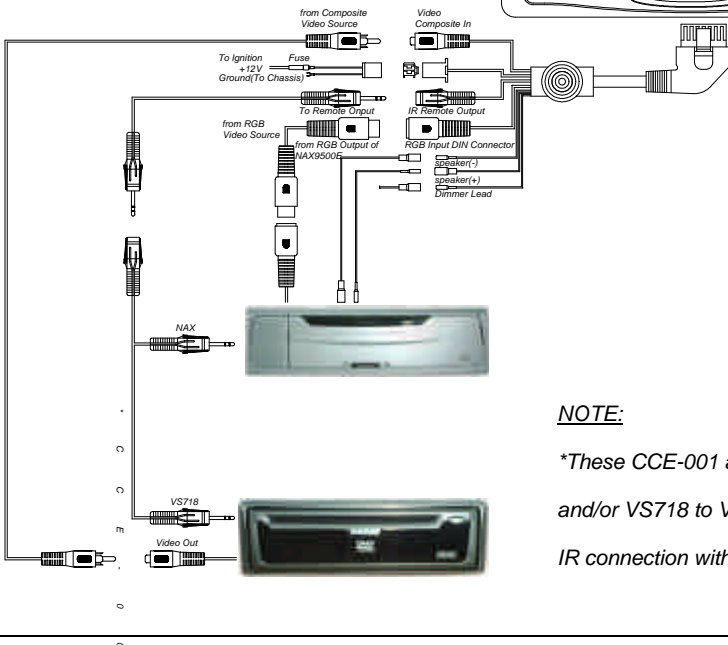


1. Look over the vehicle for a monitor location. Each vehicle is different and locations will vary. Make sure the monitor will not interfere with the driver's safe operation of vehicle.
2. Once a location has been determined, run the 3.5 mm IR extension, Video Composite and power Molex connector into the monitor's mounting location.
3. Plug main cable into the monitor.
4. Run the IR extension, video, and power cables to their respective destinations.

1	RED
2	GREEN
3	BLUE
4	C-SYNC
5	NOT CONNECTED
6	NOT CONNECTED
7	NOT CONNECTED
8	NOT CONNECTED



RGB Input DIN Configuration



NOTE:

*These CCE-001 adapt IR of NAX and/or VS718 to VMA633! Never use IR connection without CCE-001!

TROUBLESHOOTING:

Symptom	Cause	Solution
System does not work	Fuse is blown.	Replace external fuse with the same value.
	Power wires are not connected.	Check the wire connections and Connect it properly.
The screen dark.	The brightness is adjusted too low. Usage conditions are poor.	Check that the brightness is properly adjusted, if not adjust it properly. This may happen if the temperature in the vehicle is below -1°C (30°F) or above 45°C (113°F). Check again when the temperature is between -1°C (30°F) and 45°C (113°F)

SPECIFICATION:

GENERAL SPECIFICATIONS:

Power Requirement:	+12 Volts DC (9-16 Volts DC)
Power Consumption:	9 watts, Power On 0.8 amps (800mA)
Weight	0.5 kg (1.1 lb)
Dimensions (w x h x d):	167 x 121 x 29 mm (6-1/2 x 4-7/10 x 1-3/10 in.)
Included Parts	LCD Monitor 3.5 mm Male to Male IR extension cable (5m) 2-pin Molex Power connector CCE-001 IR adapter for NAX9500E and/or VS718 Mounting bracket Speaker extension cable (5m)

MONITOR SPECIFICATIONS:

Display Type:	Colour TFT Active Matrix LCD
Screen Size:	6.5" (Panel Dimensions 144.4 x 80.3 mm)
Pixels:	1200 x 234
Screen Resolution:	280,800 dots
Video Input Level(RCA)	1.0 volts peak to peak, NTSC
RGB Input Level	0.75 volts peak to peak, TTL

Free Manuals Download Website

<http://myh66.com>

<http://usermanuals.us>

<http://www.somanuals.com>

<http://www.4manuals.cc>

<http://www.manual-lib.com>

<http://www.404manual.com>

<http://www.luxmanual.com>

<http://aubethermostatmanual.com>

Golf course search by state

<http://golfingnear.com>

Email search by domain

<http://emailbydomain.com>

Auto manuals search

<http://auto.somanuals.com>

TV manuals search

<http://tv.somanuals.com>