

RGB CARD DEALER INSTALLATION

The RGBCARD is used to enable a large RGB screen to be utilized in the front for Navigation and other Large screen applications. The recommended RGB screen to be used is the Clarion VMA6492.

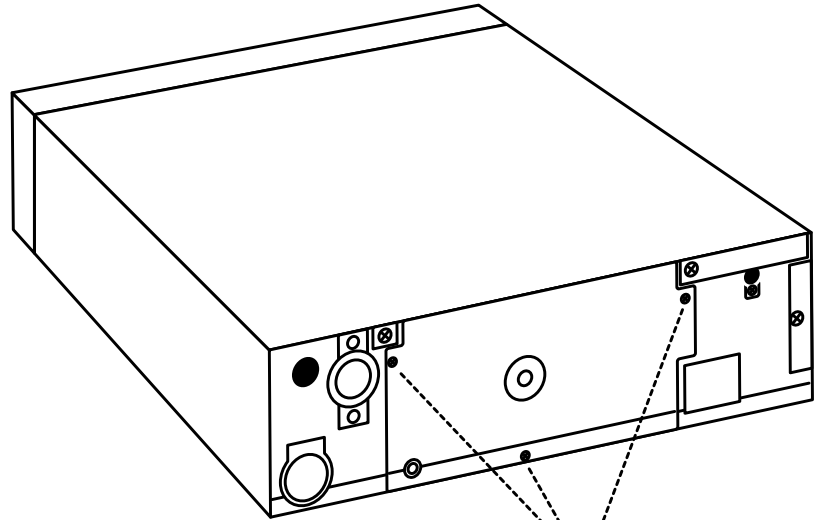
Make sure power is not on the system or any component of the system.

For installation, the rear access panel in the back of the main unit must be removed. There are 3 screws that hold this access panel in place. Note the vertical connector on the left hand side of the area revealed. Take the RGBCARD and insert the card so that the vertical connector mates with the vertical connector on the main unit. Push gently so that the connectors mate securely. Note that metal tabs should simultaneously slide through 3 slots around the card. One metal tab is on the left side center and the other 2 are on top and bottom right sides.

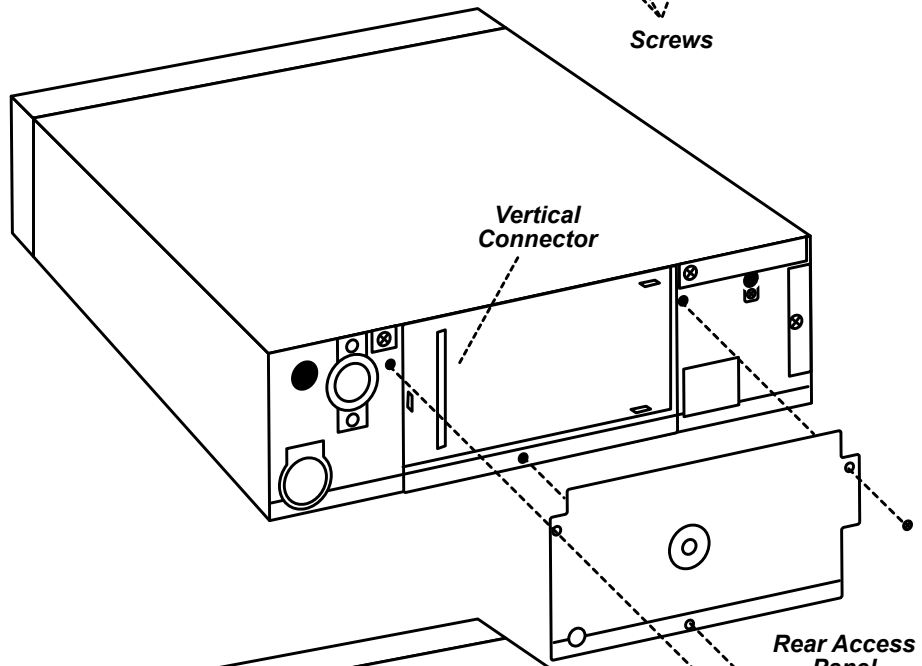
With a pair of needle nose pliers, gently bend the metal tabs after they are through the slots to secure the RGBCARD in place. Bend tab ① counter-clockwise in towards the middle of the RGBCARD. Bend tab ② counter-clockwise, away from the center of the RGBCARD. Finally, bend tab ③ clockwise, away from the center of the RGBCARD.

Replace the access panel with the 3 screws.

Reconnect power connection.

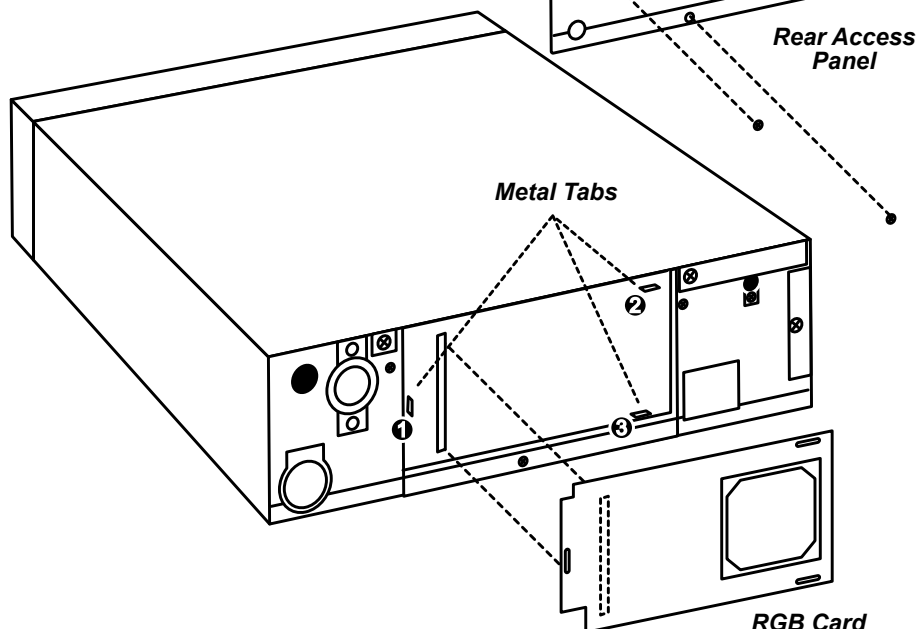


Screws



Vertical Connector

Rear Access Panel



Metal Tabs

RGB Card
Part # YX-005-X2207

Free Manuals Download Website

<http://myh66.com>

<http://usermanuals.us>

<http://www.somanuals.com>

<http://www.4manuals.cc>

<http://www.manual-lib.com>

<http://www.404manual.com>

<http://www.luxmanual.com>

<http://aubethermostatmanual.com>

Golf course search by state

<http://golfingnear.com>

Email search by domain

<http://emailbydomain.com>

Auto manuals search

<http://auto.somanuals.com>

TV manuals search

<http://tv.somanuals.com>