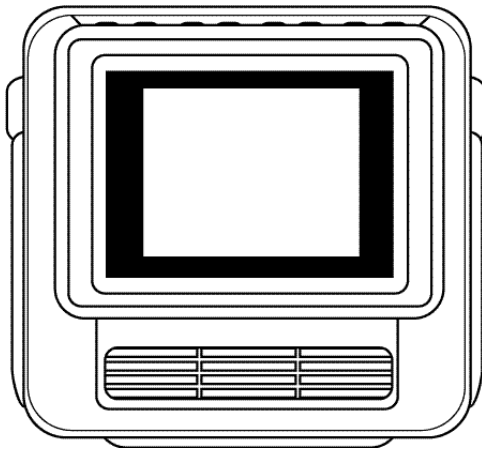




TVS4091



***4" LCD
Color TV***

OWNER'S MANUAL

INTRODUCTION

The Clarion TVS4091 is a full-featured 4" LCD Color TV. It can be used as a stand-alone unit or integrated into a mobile multimedia system. This unit was specially designed for marine use and is water-resistant.

ABOUT THE MANUAL AND WARRANTY

To start enjoying your new Clarion TVS4091, please read the instructions listed in this manual. Keep all instructions for future reference. Please fill out and send in the enclosed warranty card to protect your purchase and aid in warranty service. Also, **save your original sales receipt as proof of purchase.**

TABLE OF CONTENTS

Precautions	•••••	•2
Package Contents	•••••	•3
Button Locations	•••••	•3
Installation	•••••	•4
TV Operation	•••••	•5
Auxiliary Video Inputs Operation	•••••	•5
Picture Adjustment	•••••	•5
Audio Adjustment	•••••	•5
Care & Maintenance	•••••	•5
Stsnd Installation	•••••	•6
Troubleshooting	•••••	•6
Product Specs	•••••	•7
Notes	•••••	•7

PRECAUTIONS

- Do not expose the monitor to extreme temperatures or direct sunlight, otherwise the monitor will be damaged.
- Do not let the set become hot. If the temperature is high or the set has been exposed to direct sunlight and is hot, lower the temperature before using it.
- In extremely cold temperatures, the movement of the picture may be slow and the picture may be dark, but this is not a malfunction. The set will work normally once the temperature increases.
- Avoid strong impact or dropping the monitor.
- Turn the power OFF and unplug the adapter when not in use.
- SAFETY FIRST! For marine use only. Do not install on dashboard or anywhere else that would permit the monitor to be viewed by the driver. Monitor must never be used in any manner that will distract the driver or interfere with the driver's safe operation of the marine vessel.
- This set is intended for use in DC 12V, negative ground vessels. Be sure to consult your store of purchase or a Clarion authorized dealer before installing this unit.

- Do not operate this unit in ways other than described in this manual. Doing so may damage it.
- Be careful not to run down the vessel battery while using the set with the vessel stopped.
- Do not disassemble or modify the set. Doing so may damage it.
- Small black and shiny dots inside the liquid crystal panel are normal for liquid crystal products.

PACKAGE CONTENTS

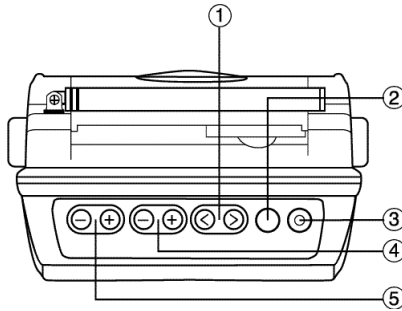
The Clarion TVS4091 comes with the following items:

- Plastic mounting base

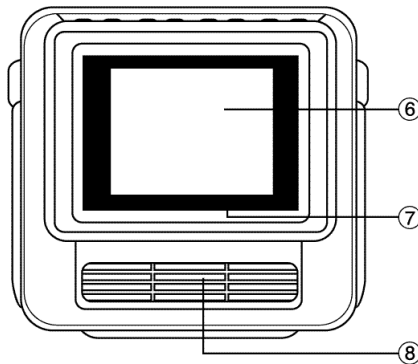
Available Options:

- Car Cord / Regulator

BUTTON LOCATIONS

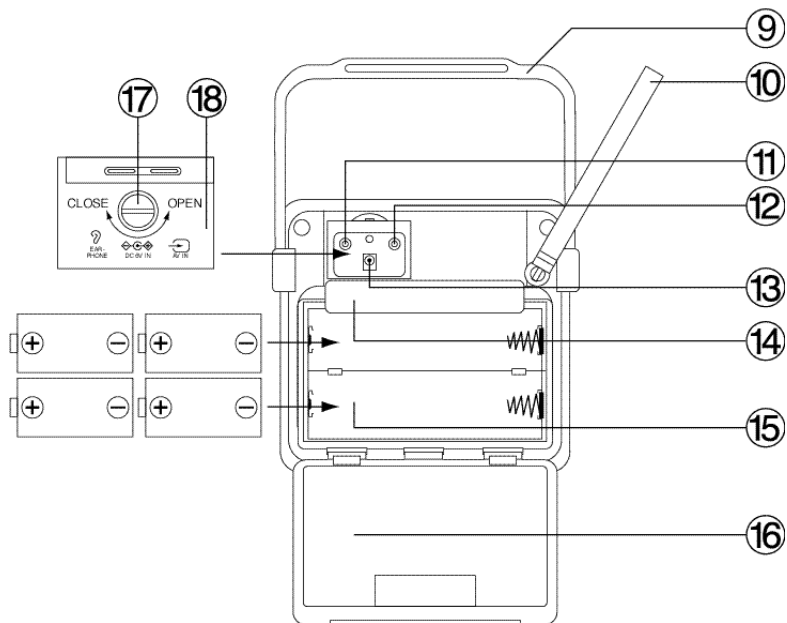


- ① Channel Up/Down Buttons
- ② VHF/UHF Button
- ③ Power Button
- ④ Brightness Up/Down Buttons
- ⑤ Volume Up/Down Buttons



- ⑥ Screen
- ⑦ Channel Indicator
- ⑧ Speaker

BUTTON LOCATIONS



- | | |
|-----------------------|----------------------------|
| ⑨ Handle | ⑭ Battery Cover Latch |
| ⑩ Rod Antenna | ⑮ Battery Compartment |
| ⑪ Earphone Jack | ⑯ Battery Compartment Door |
| ⑫ A/V Input Jack | ⑰ Input Compartment Screw |
| ⑬ DC Power Input Jack | ⑱ Input Compartment |

INSTALLATION

One of the following power sources can be used:

- Batteries (4 "D" size)
- DC Power

For Use with Batteries:

1. Move the Rod Antenna.
2. Lift the Battery Cover Latch up to open the Battery Compartment.
3. Open the Battery Compartment Door and insert 4 "D" size batteries into the Battery Compartment as diagramed inside the Battery Compartment.
4. Close the Battery Compartment Door and push down on the Battery Cover Latch to completely close the Battery Compartment.

For Use with DC Adapter:

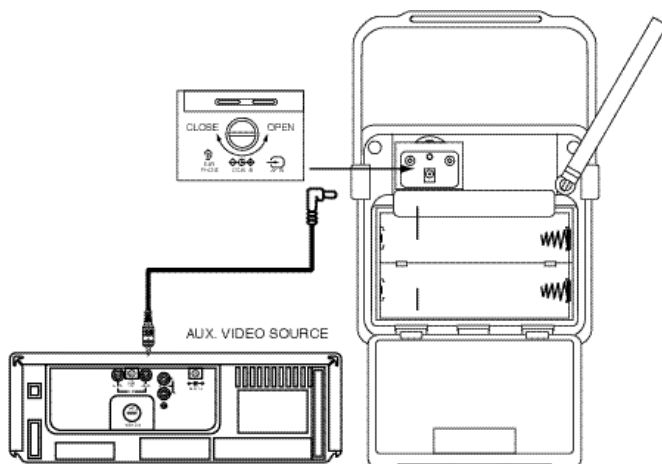
1. Unscrew the Input Compartment, as diagramed on the Input Compartment cover.
2. Insert the DC Adapter into the External DC Power Input Jack.

TV OPERATION

1. Press the POWER ON/OFF button to turn on the power. The LCD screen will light up. To turn the power OFF press the POWER button again.
2. Press the VHF/UHF Button to select VHF or UHF band.
3. Press the Channel <> buttons to adjust the channels.
4. Adjust the Rod Antenna to get the best picture quality.

AUXILIARY VIDEO INPUTS OPERATION

1. Unscrew the Input Compartment, as diagramed on the Input Compartment cover.
2. Connect the proper signal sources to the unit from the A/V Input Jack.
3. The TV will automatically switch to A/V Mode when an input is connected. It will switch back to TV mode when the input is disconnected.

**PICTURE ADJUSTMENT**

1. Use the Bright +/- buttons to adjust the brightness of the picture.

AUDIO ADJUSTMENT

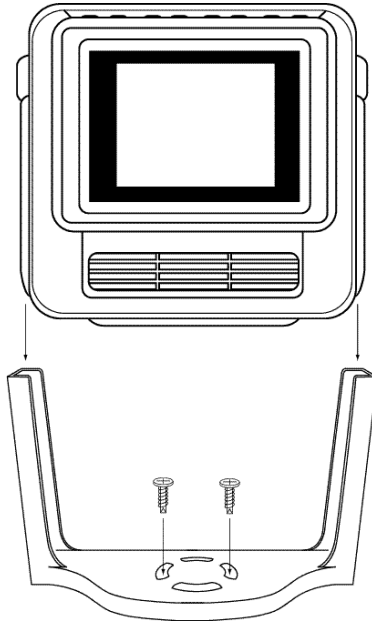
1. Press the Volume +/- buttons to adjust the audio level.
2. For use with earphones, insert the earphone plug into the Earphone Jack located in the Input Compartment.

CARE & MAINTENANCE

- Use a soft, dry cloth and gently wipe off the dirt.
- The LCD surface is easily scratched; do not rub it with hard objects.

STAND INSTALLATION

1. Choose a flat surface to install the TVS4091 stand.
2. Use the two supplied 1" screws to securely attach the stand to the mounting surface.
3. Fold the handle of the TVS4091 to the downward position. Slide the unit into the mounted stand.

**TROUBLESHOOTING****Problem:**

No Picture.

Solution:

- The power cord may not be connected properly. Check it.
- The batteries may need to be replaced. Check them.
- The external fuse may be burned out. Check the fuse.

Problem:

Picture too dark or too bright.

Solution:

- The brightness control may not be set properly. Adjust the brightness control.
- The viewing angle may not be properly adjusted. Adjust viewing angle.

Problem:

Blurry picture and noise.

Solution:

- You may need to adjust the TV reception. Extend or adjust the Rod Antenna.
- The unit may not be properly tuned. Check the VHF/UHF band setting and retune.
- The batteries may be low. Check the batteries.
- There may be interference from electric appliances, automobiles, etc. Move further away from the appliances.
- Reception may be poor due to weak signals. In locations with poor reception, it may not be possible to get a clear picture or any picture at all.

Problem:

Picture visible but no sound.

Solution:

- The volume may be too low. Adjust the volume level.

PRODUCT SPECS

Size:	4"
Element:	TFT LCD (Thin Film Transistor)
Format:	383 (W) x 234 (H)
Total:	89,622 dots
Backlight	Cold cathode fluorescent lamp
Power supply	AC adapter, 12V Car Cord
Power consumption	DC 6V in 1A
Reception channels	VHF channels 2-13, UHF channels 14-69
Input terminals	External power jack, AV1 input jack
Output terminals	Earphone jack
Operation temperature	30 – 113 degrees F
Dimensions	5-15/16 x 6-1/2 x 3-5/8 inches
Weight	1.3 pounds

NOTES



661 W. Redondo Beach Blvd.
Gardena, CA 90247
1-800-GO-CLARION
www.clarion-usa.com

TVS4091-10 Rev.1 (04/00)

Download from Www.Somanuals.com. All Manuals Search And Download.

Free Manuals Download Website

<http://myh66.com>

<http://usermanuals.us>

<http://www.somanuals.com>

<http://www.4manuals.cc>

<http://www.manual-lib.com>

<http://www.404manual.com>

<http://www.luxmanual.com>

<http://aubethermostatmanual.com>

Golf course search by state

<http://golfingnear.com>

Email search by domain

<http://emailbydomain.com>

Auto manuals search

<http://auto.somanuals.com>

TV manuals search

<http://tv.somanuals.com>