

# Clarion EA-1232A

## English

Thank you for purchasing this Clarion product. This power box is used to supply electrical power to an LCD color monitor or CCD camera.

- Supports automobiles with DC 24V/12V systems.
- Allows connection of 6.5" type LCD color monitor CJ-981E.
- Supports both color and black-and-white CCD cameras.
- Supports color CCD camera CC-2000 series (with zoom function) (Supplied remote control unit can be used to expand image for easier viewing.)
- The accessory wired remote control can be used to adjust both zoom and iris.

This equipment has been tested and found to comply with the limits for a Class B digital device, pursuant to Part 15 of the FCC Rules. These limits are designed to provide reasonable protection against harmful interference in a residential installation. This equipment generates, uses, and can radiate radio frequency energy and, if not installed and used in accordance with the instructions, may cause harmful interference to radio communication. However, there is no guarantee that interference will not occur in a particular installation. If this equipment does cause harmful interference to radio or television reception, which can be determined by turning the equipment off and on, the user is encouraged to consult the dealer or an experienced radio/TV technician for help.

## English Français Deutsch Italiano

## 1. Safety Precautions / Précautions de Sécurité / Sicherheitshinweise / Precauzioni di sicurezza

### BEFORE STARTING / AVANT DE DÉMARRER / VOR INBETRIEBNAHME / PRIMA DI INIZIARE

#### WARNING

**BEFORE WIRING, DISCONNECT THE CABLE FROM THE NEGATIVE BATTERY TERMINAL.**  
Before doing any electrical wiring, disconnect the cable from the negative "⊖" terminal of the battery. Failure to do so may result in electric shock or injury due to electrical shorts.

### CAUTIONS ON INSTALLATION / PRÉCAUTIONS D'INSTALLATIONS / VORSICHTSMASSNAHMEN FÜR EINBAU / PRECAUZIONI SULL'INSTALLAZIONE

#### WARNING

**DO NOT USE NUTS OR BOLTS IN THE BRAKE SYSTEM WHEN MAKING INSTALLATION OR GROUND CONNECTIONS.**

Never use safety-related parts such as bolts or nuts in the steering or brake systems or tanks to make wiring installations or ground connections. Using such parts could disable control of the vehicle and cause fire etc.

**DO NOT DAMEDE PIPE OR WIRING WHEN DRILLING HOLES.**

When drilling holes in the chassis for installation, take precautions so as not to contact, damage or obstruct pipes, tanks or electrical wiring. Failure to take such precautions may result in fire.

**DO NOT INSTALL IN LOCATIONS WHICH MIGHT HINDER VEHICLE OPERATION.**

Do not install in locations which might create hazards for the vehicle occupants or hinder vehicle operation (such as the steering wheel or gear shift) by obstructing forward vision or hampering movement etc.

**DO NOT INSTALL THE UNIT NEAR THE PASSENGER SEAT AIR BAG.**

If the unit is not installed correctly the air bag may not function correctly.

#### CAUTION

**USE SPECIFIED ACCESSORY PARTS AND INSTALL THEM SECURELY.**

Be sure to use only the specified accessory parts. Use of other than designated parts may damage this unit internally or may not securely install the unit in place as parts that come loose can create hazards.

### CAUTIONS ON WIRING / PRÉCAUTIONS DE CÂBLAGE / VORSICHTSMASSNAHMEN FÜR VERDRÄHTUNG / PRECAUZIONI SUI CABLAGGI

#### WARNING

**KEEP ELECTRICAL CABLES TOGETHER TO AVOID OPERATING HAZARDS.**

Arrange wiring and cables in compliance with the installation manual to prevent obstruction when driving. Cables or wiring that obstructs or hangs up on places such as the steering wheel, gear lever, brake pedals can be extremely hazardous.

**DO NOT CUT AWAY THE WIRE SHEATH AND USE POWER TO OTHER EQUIPMENT.**

Never cut away the cable shielding to use power to another piece of equipment. Doing so will exceed the current carrying capacity of the wire and result in fire or electric shock.

#### CAUTION

**MAKE THE CORRECT CONNECTIONS.**

Failure to make the correct connections can cause fire or accident to occur.

**ARRANGE THE WIRING SO IT IS NOT CRIMPED OR PINCHED.**

Route the cables and wiring so as not be crimped by moving parts like seat rail or make contact with sharp or pointed spots which might damage the wiring.

## Power Supply Box / Boîtier d'alimentation

## Stromversorgungsteil / Gruppo di alimentazione

## Français

Nous vous remercions de votre achat de ce produit Clarion.  
Ce boîtier d'alimentation est destiné à fournir le courant électrique à un moniteur couleur à cristaux liquides ou une caméra CCD.

- Convient à des véhicules à alimentation CC de 24V/12V.
- Permet le branchement d'un moniteur couleur à cristaux liquides CJ-981E de 6,5 pouces.
- Accepte les caméras CCD couleur ou noir et blanc.

- Prend en compte les caméras CCD couleur de série CC-2000 (à fonction zoom). (La télécommande fournie permet d'élargir l'image pour en faciliter la vision.)
- La télécommande câblée disponible comme accessoire permet d'ajuster le zoom et le diaphragme.

## Deutsch

Wir danken Ihnen, dass Sie sich für dieses Clarion-Produkt entschieden haben.  
Dieses Stromversorgungsteil dient zur Spannungsversorgung eines LCD-Farbmonitors oder einer CCD-Kamera.

- Für Fahrzeuge mit 24-V- oder 12-V-Batterie geeignet.
- Gestattet den Anschluss des 6,5-Zoll-LCD-Farbmonitors CJ-981E.
- Unterstützt sowohl Farb- als auch Schwarzweiß-CCD-Kameras.

## English Français Deutsch Italiano

## 2. Parts Included / Pièces jointes / Mitgeliefertes Zubehör / Componenti in dotazione

- Installation manual ..... 1
- Wired remote control unit ..... 1
- Mounting brackets ..... 2
- Rubber spacer ..... 1
- Power cord ..... 1
- 5 x 16 self-tapping screws ..... 4
- M4 x 8 hex bolts with washers ..... 4

- Manuel d'installation ..... 1
- Télécommande câblée ..... 1
- Applique de montage ..... 2
- Entretoise caoutchoutée ..... 1
- Cordon d'alimentation ..... 1
- Vis autotaraudeuse 5 x 16 ..... 4
- Boulons hexagonaux M4 x 8 avec rondelle ..... 4

- Montageanleitung ..... 1
- Kabelfernbedienung ..... 1
- Befestigungsbügel ..... 2
- Gummidistanzstück ..... 1
- Spannungsversorgungskabel ..... 1
- Gewindeschneidschrauben 5 x 16 ..... 4
- Sechskantschrauben M4 x 8 mit Unterlegscheiben ..... 4

- Manuale di installazione ..... 1
- Telecomando con filo ..... 1
- Staffa di montaggio ..... 2
- Distanziatore in gomma ..... 1
- Cavo di alimentazione ..... 1
- Viti autofilettanti da 5 x 16 ..... 4
- Bulloni esagonali M4 x 8 con rondella ..... 4

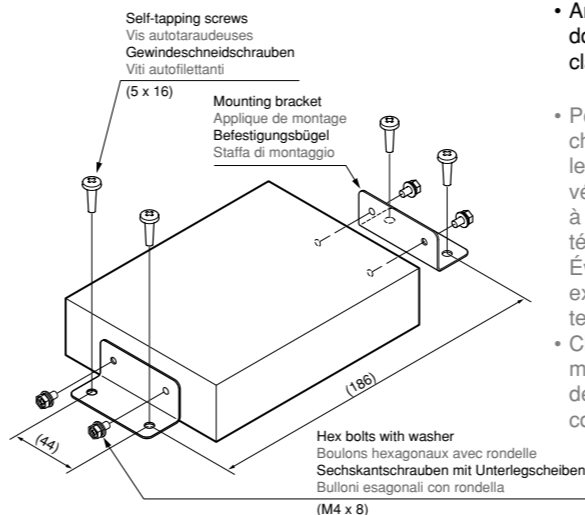
## 3. Installation / Installation / Installation / Installazione

### Power Box Installation

### Installation du boîtier d'alimentation

### Einbau des Stromversorgungsteils

### Installazione del gruppo di alimentazione



### Installing the Wired Remote / Installation de la télécommande câblée

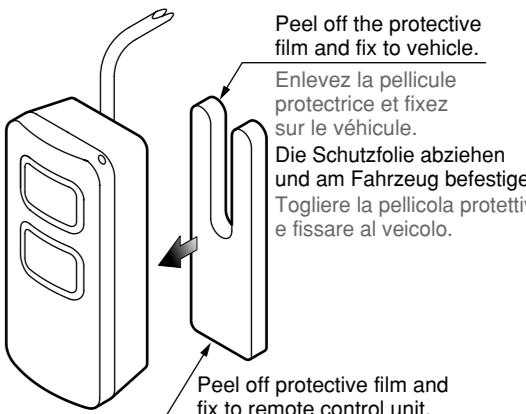
### Befestigung der Kabelfernbedienung / Installazione del telecomando con filo

- The installation location for the wired remote should be one that does not interfere with the driver's normal operation of the vehicle; use the supplied rubber spacer with two-sided adhesive to fix the remote control in place.
- Avoid installing the remote control in locations exposed to direct sunlight or high temperatures.
- Arrange the remote's cord in such a way that it does not interfere with driving, and use cord clamps or other means to fix in place.

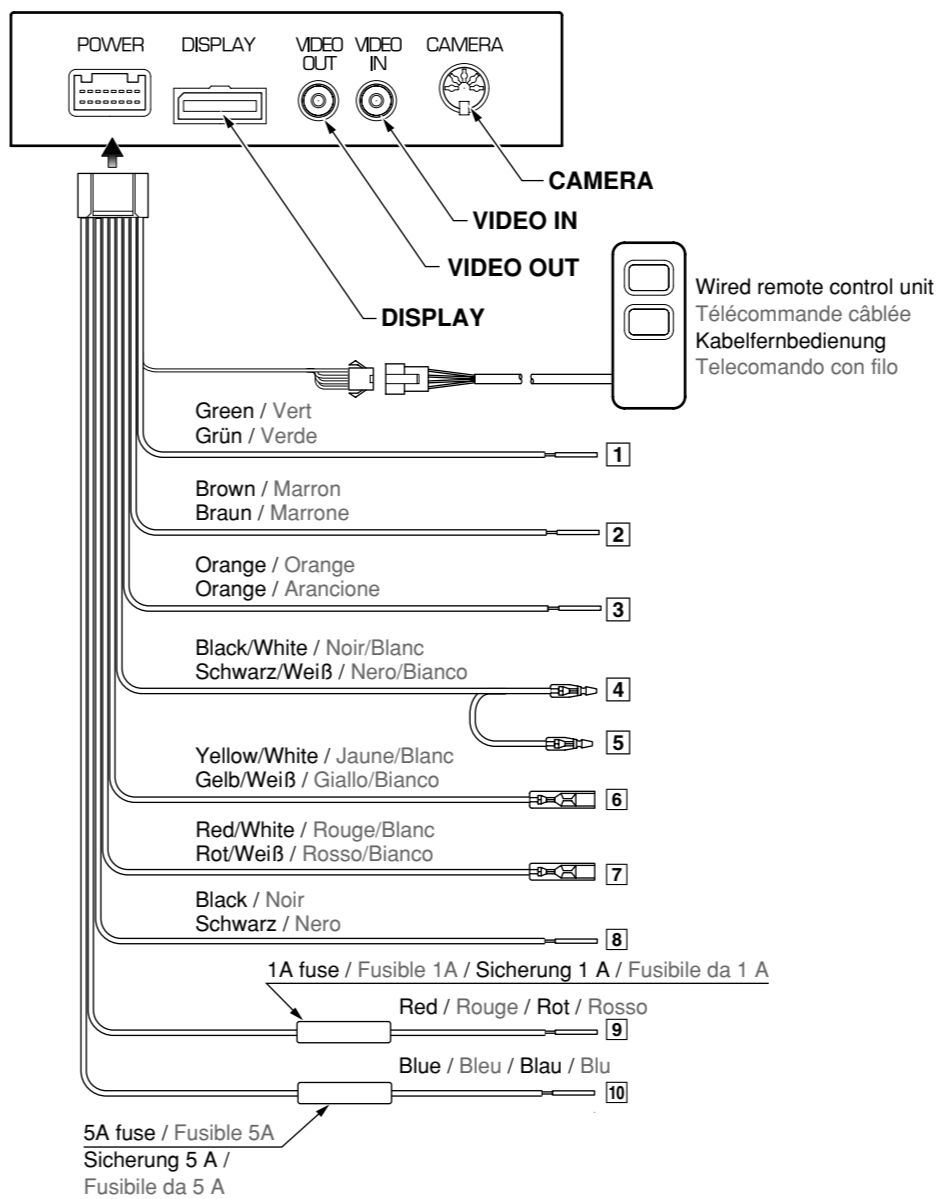
- Pour l'installation de la télécommande câblée, choisissez un emplacement où elle ne gênera pas les mouvements normaux du conducteur du véhicule; utilisez l'entretoise caoutchoutée fournie à deux faces adhésives pour fixer la télécommande à l'endroit voulu.
- Évitez d'installer la télécommande à un endroit exposé aux rayons directs du soleil ou à une forte température.
- Cheminez le cordon de la télécommande de manière qu'il ne gêne pas la conduite et utilisez des serre-fils ou des attaches pour immobiliser le cordon.

- Die Fernbedienung muss an einer Stelle befestigt werden, an der sie die normalen Aktionen des Fahrers beim Lenken des Fahrzeugs nicht behindert; verwenden Sie das mitgelieferte Gummidistanzstück mit beidseitig haftendem Klebstreifen, um die Fernbedienung an der gewünschten Stelle zu befestigen.
- Vermeiden Sie eine Befestigung der Fernbedienung an einer Stelle, die direkter Sonneneinstrahlung oder hohen Temperaturen ausgesetzt ist.
- Verlegen Sie das Kabel der Fernbedienung so, dass es beim Lenken des Fahrzeugs nicht im Wege ist, und sichern Sie es mit Kabelschellen o.Ä.

- La posizione di installazione del telecomando con filo deve essere tale da non interferire con la guida del veicolo; per fissare il telecomando in posizione, usare il distanziatore in gomma in dotazione con nastro adesivo a doppio lato.
- Evitare l'installazione del telecomando in posizioni esposte a luce solare diretta o alte temperature.
- Stendere il cavo del telecomando in modo che non interferisca con la guida ed usare fascette fermafili o altri strumenti simili per fermarlo in posizione.



## 4. Wiring / Câblage / Verdrahtung / Cablaggi



CAMERA: Connect to CCD camera  
VIDEO IN: Video input connector (RCA pin jack)  
VIDEO OUT: Video output connector (RCA pin jack)  
DISPLAY: Connect to LCD monitor CJ-981E

1 Parking brake signal wire; connect to ground wire of parking brake lamp.  
2 Illumination (DIMMER) power wire; connect to vehicle's light switch (DC +11 to +32V).  
3 Reverse gear signal wire; connect to vehicle's reverse gear switch (DC +11 to +32V).

4 Not Used.  
5 To prevent accidents, cover exposed wire ends with insulating tape.  
6 12V B/U OUTPUT  
7 12V ACC OUTPUT  
8 Ground (GND)  
9 Backup signal power (DC +24V/+12V)  
10 ACC power (DC +24/+12V)

CAMERA: Branchez sur la caméra CCD  
VIDEO IN: Connecteur d'entrée vidéo (Prise à broches RCA)  
VIDEO OUT: Connecteur de sortie vidéo (Prise à broches RCA)  
DISPLAY: Branchez sur le moniteur à cristaux liquides CJ-981E

1 Fil de signal de frein à main: raccordez au fil de masse du voyant du frein de stationnement.  
2 Fil d'alimentation d'éclairage (DIMMER): raccordez au commutateur général d'éclairage (CC +11V à +32V) du véhicule.  
3 Fil de signal de marche arrière: raccordez au commutateur de marche arrière (CC +11V à +32V) du véhicule.

4 Non utilisé.  
5 Pour éviter tout accident, recouvrez les bouts exposés des fils au moyen d'un morceau de ruban isolant.  
6 USCITA B/U A 12 V  
7 USCITA ACC A 12 V  
8 MESSA A TERRA (GND)  
9 Alimentazione di emergenza (c.c. da +24 V/+12 V)  
10 Alimentazione ACC (c.c. da +24 V/+12 V)

8 Masse (GND)  
9 Alimentation signal de secours (CC +24V/+12V)  
10 Alimentation ACC (CC +24V/+12V)

CAMERA: An CCD-Kamera  
VIDEO IN: Videoeingang (Cinchbuchse)  
VIDEO OUT: Videoausgang (Cinchbuchse)  
DISPLAY: An LCD-Monitor CJ-981E

1 Feststellbremsen-Signalleitung; verbinden Sie diesen Draht mit dem Massedraht der Feststellbremsen-Kontrollleuchte.  
2 Dimmerschalterdraht (DIMMER); verbinden Sie diesen Draht mit dem Beleuchtungsschalter des Fahrzeugs (DC 11–32 V).  
3 Rückwärtsgang-Signaldraht; verbinden Sie diesen Draht mit dem Rückwärtsgangsschalter des Fahrzeugs (DC 11–32 V).

4 Nicht verwendet.  
5 Umwickeln Sie mit die blanken Drahtenden mit Isolierband, um Unfälle zu verhindern.  
6 12V B/U OUTPUT  
7 12V ACC OUTPUT  
8 Masse (GND)  
9 Reservesignal-Spannungsversorgung (DC 24/12 V)  
10 ACC-Spannungsversorgung (DC 24/12 V)

CAMERA: Collegamento di una fotocamera a CCD  
VIDEO IN: Connettore di ingresso video (con spinotti a spillo RCA)  
VIDEO OUT: Connettore di uscita video (con spinotti a spillo RCA)  
DISPLAY: Da collegare al monitor LCD CJ-981E

1 Filo del segnale del freno di parcheggio; da collegare al filo di messa a terra della luce del freno di parcheggio.  
2 Filo di alimentazione luci (DIMMER); da collegare all'interruttore delle luci del veicolo (c.c. da +11 V a +32 V).  
3 Filo della retromarcia; da collegare all'interruttore della retromarcia del veicolo (c.c. da +11 V a +32 V).

4 Non usato  
5 Per evitare incidenti, coprire le estremità denudate dei fili con nastro isolante.  
6 USCITA B/U A 12 V  
7 USCITA ACC A 12 V  
8 Messa a terra (GND)  
9 Alimentazione di emergenza (c.c. da +24 V/+12 V)  
10 Alimentazione ACC (c.c. da +24 V/+12 V)

## Clarion Co., Ltd.

Printed in Japan 2005/5 (C/A,K)

## Free Manuals Download Website

<http://myh66.com>

<http://usermanuals.us>

<http://www.somanuals.com>

<http://www.4manuals.cc>

<http://www.manual-lib.com>

<http://www.404manual.com>

<http://www.luxmanual.com>

<http://aubethermostatmanual.com>

Golf course search by state

<http://golfingnear.com>

Email search by domain

<http://emailbydomain.com>

Auto manuals search

<http://auto.somanuals.com>

TV manuals search

<http://tv.somanuals.com>