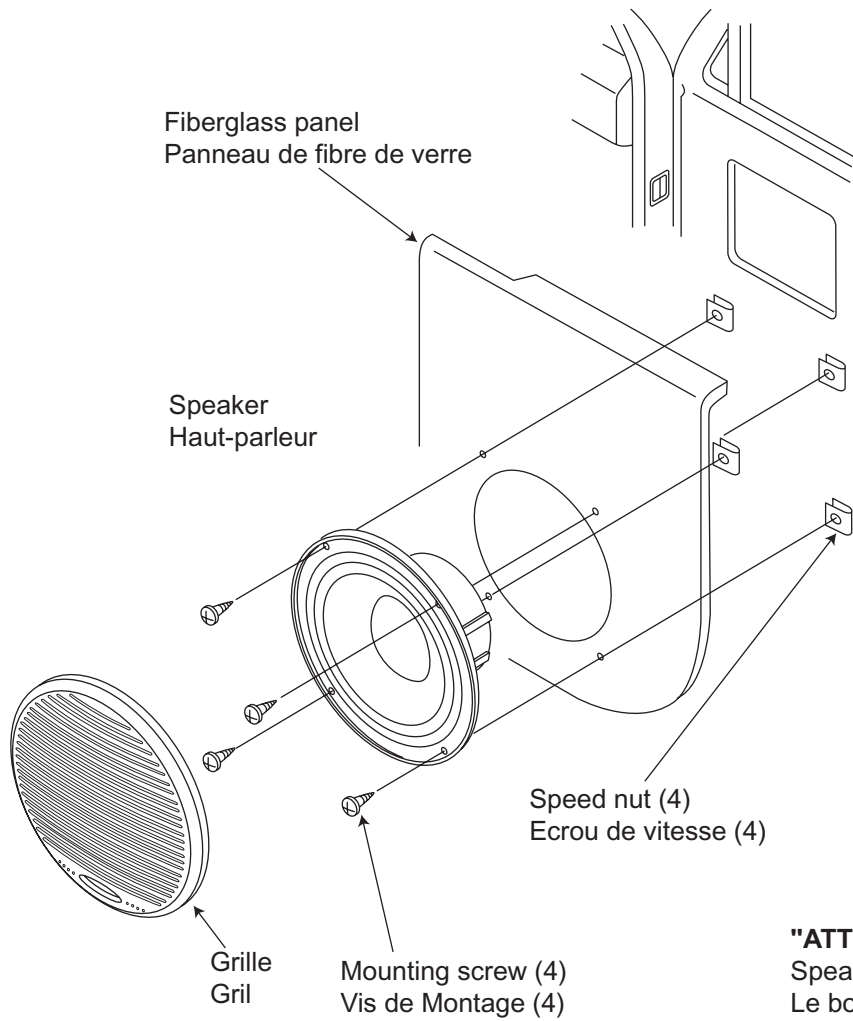
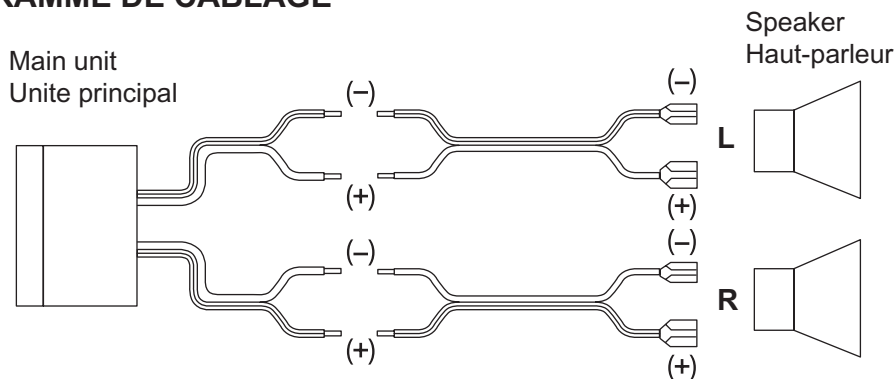


**MOUNTING METHOD  
METHODE DE MONTAGE**

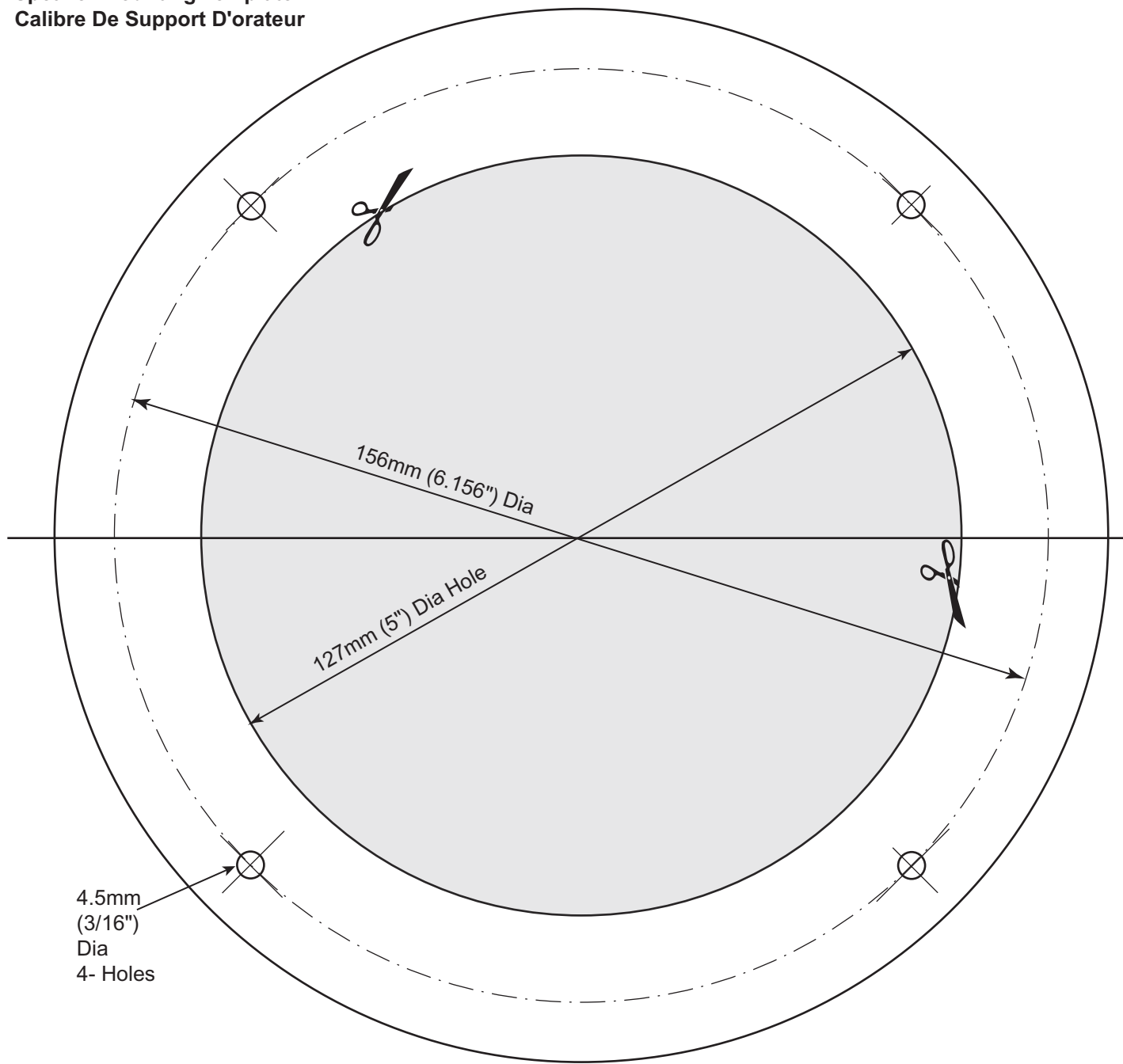


**"ATTENTION"**  
Speaker edge is very sharp.  
Le bord de l'enciente est tres tranchant.

**WIRING DIAGRAM  
DIAGRAMME DE CABLAGE**



Speaker Mounting Template  
Calibre De Support D'orateur



4.5mm  
(3/16")  
Dia  
4- Holes

Part No.CM16-011205T

## Free Manuals Download Website

<http://myh66.com>

<http://usermanuals.us>

<http://www.somanuals.com>

<http://www.4manuals.cc>

<http://www.manual-lib.com>

<http://www.404manual.com>

<http://www.luxmanual.com>

<http://aubethermostatmanual.com>

Golf course search by state

<http://golfingnear.com>

Email search by domain

<http://emailbydomain.com>

Auto manuals search

<http://auto.somanuals.com>

TV manuals search

<http://tv.somanuals.com>