

---

**IVIE Enterprises**  
[www.ivie-ent.com](http://www.ivie-ent.com) Ph:(918)254-5161 or (888)262-5161 Fax:(918)250-4807



**SPS-28**  
**Space Sweeper**  
**(INCLUDES 28G & 28B)**  
**Section II**  
**Parts and Service Manual**

(70100B)

## SERVICE AND MAINTENANCE

**⚠ WARNING:** Maintenance and repairs must be done by authorized personnel only. Keep Adjustments according to specifications.

**⚠ WARNING:** To prevent injury always stop the engine or motor before doing any maintenance or repairs to this machine. Separate the connectors between the machine and batteries. Disconnect the wire from the spark plug.

### How To Check the Engine

1. Check oil level regularly. Change oil after using first two tanks of gasoline. change oil regularly after each twenty-five (25) operating hours, or more often in extremely dirty conditions.
2. Keep the engine clean and remove dirt and oil from coiling fins, screen and flywheel for best engine performance and to prevent damage from overheating.

Do not allow dirt to enter the engine when checking oil or adding fuel.

Wire brush carbon deposits from spark plug electrodes and regap at .030 in.

### How to Clean the Engine Air Filter

Clean and re-oil every ten (10) hours - more often under extremely dusty conditions.

1. Remove filter element. Separate pre-filter from pleated filter.
2. Clean pre-filter only in detergent and warm water.
3. Squeeze dry.
4. Apply liberal amount of clean engine oil and distribute evenly. Squeeze out excess oil.
5. Install element.

### Lubrication

The Model SPS-28 has one grease fitting on the main drive wheel. Apply two strokes of lubricant (PN 883853) from a grease gun each month. (See Fig. 8)

**⚠ WARNING:** To prevent injury and damage, remove the batteries or gasoline before tipping the machine.

To get access to the grease fitting, remove the batteries and hoppers and tip the machine on its side.

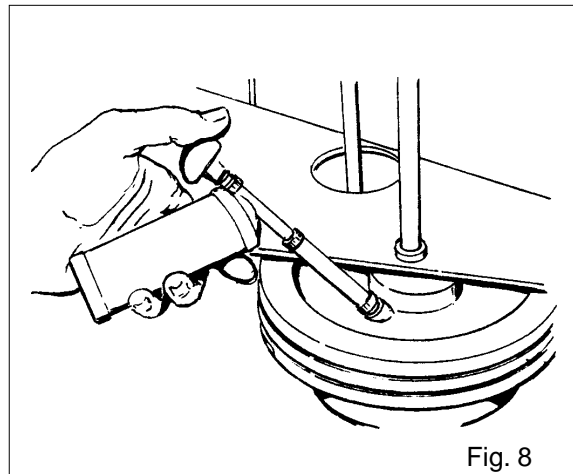


Fig. 8

## Drive Belts

**⚠ WARNING:** To prevent injury always stop the engine or motor before doing any maintenance or repairs to this machine.

The drive belts are automatically tensioned by a spring-loaded idler wheel. (See Fig. 9)

1. Remove the idler pulley tension spring.
2. Slip the belt off the pulley.
3. Install a new belt.
4. Assemble idler tension spring.
5. Align pulleys and belts if necessary.

### Main Broom Adjustment

The main broom should be periodically readjusted as needed to compensate for wear. Use the broom-adjusting lever to accomplish this. rotate counterclockwise to lower and clockwise to raise. (See Fig. 2, page 6)

### Side Broom Belt Adjustment

To increase tension on the side broom belt, loosen the two (2) socket set screws. Push the split clamp forward on the tubular frame until belt is sufficiently tight to drive broom without slipping. Tighten clamp screws.

### Friction Drive Wheel

The friction drive wheel should be adjusted so it touches the mating drive wheel. The machine should **NOT creep** or move when the operator handle is in neutral "UP" position. (See Fig. 10)

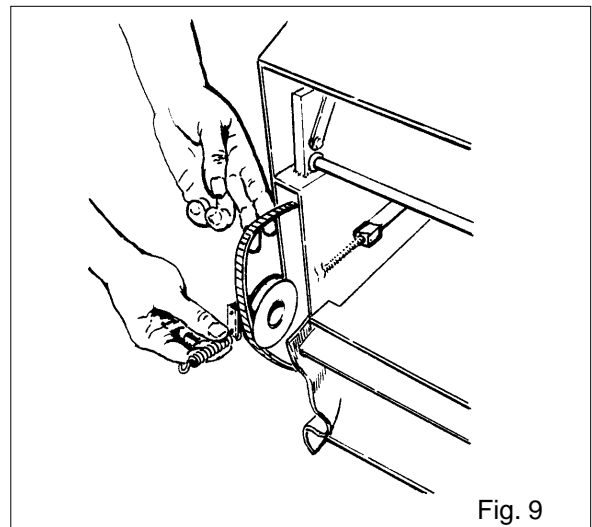


Fig. 9

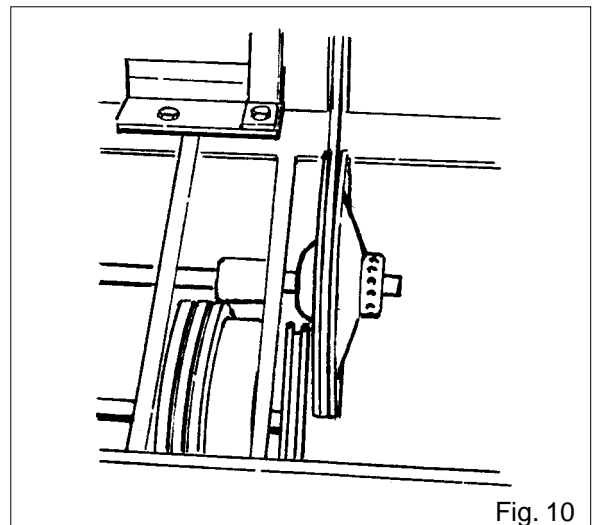


Fig. 10

### ENGINE SPEED ADJUSTMENT (Model 28G)

The engine speed (rpm) is governor-controlled and preset at the factory at 2150 rpm (no load). Should it be necessary to check or readjust this setting, use a good strobe tachometer and adjust the governor rod threaded end to maintain 2150 rpm (no load). Be certain all brooms are raised for this adjustment.

### Installation of new Main Brush

The main brush is made up of five (5) bristle strips, installed and retained on the core by three (3) screws and washers for each strip. Do not change (1) new bristle strip with (4) worn strips.

Remove the three screws and washers and the bristle strip retained by them. Install the new strip and assemble the retaining screws and washers. Be sure to install the "V" of each strip in the same relation to the core as its companion strips. (See Fig. 11)

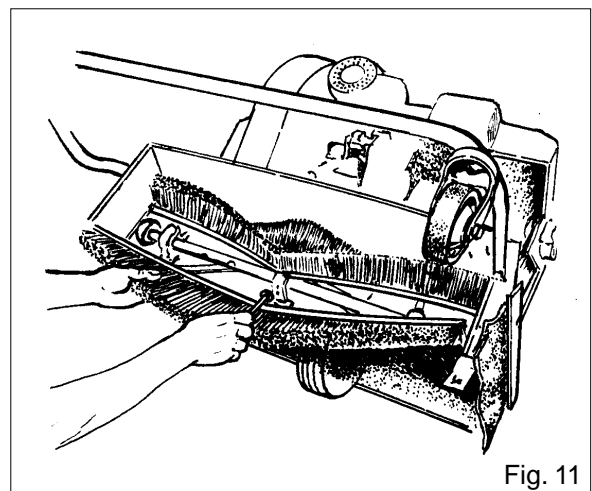


Fig. 11

### Installation of New Main Brush (cont)

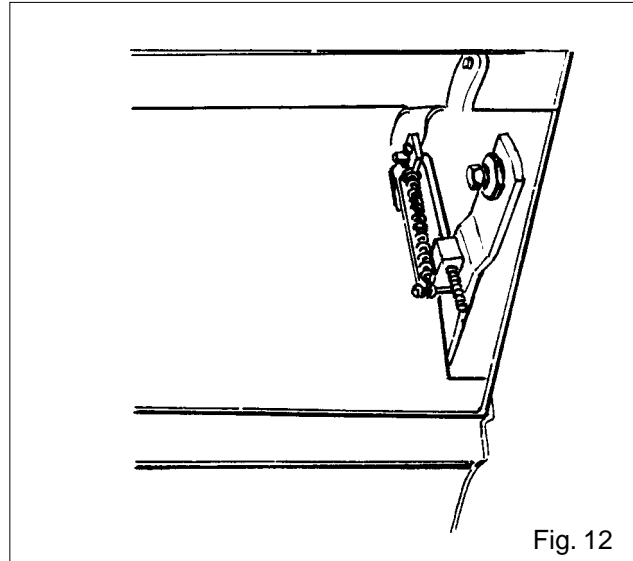
Remove the three screws and washers and the bristle strip retained by them. Install the new strip and assemble the retaining screws and washers. Be sure to install the "V" of each strip in the same relation to the core as its companion strips. (See Fig. 11, page 11)

**CAUTION:** The strips must be carefully centered on the core before they are firmly locked into position. Rotate the broom by hand through a full revolution to check for possible interference with the shaft carriers at each end. Failure to check this area could result in damage to the drive mechanism.

Continue to replace one strip at a time, checking end clearance on each end, until all strips have been replaced with new fillers.

Readjust the broom to allow for the new bristle strips.

The main brush is preadjusted at the factory to insure even engagement with the floor across its full width. However, should the brush show signs of uneven wear, end to end, compensating adjustments may be made. Raise or lower either end as required by changing the length of the adjusting rod. (See fig. 12)



### SHOPEVALUATION OF CHARGERS

(Qualified Service Personnel Only)

#### Service Hints

1. Check the AC power supply (plug, cords, building fuses and switched, etc.)
2. Check for physical damage.
3. If there is no DC output, check for blown internal fuse(s); blown fuses may be caused by reversed DC connections or by a defective diode.
4. Check parts - ammeter, timer-switch, diodes, transformer and fuses for tight connections and for discoloration due to electrical failure.

**WARNING:** Always wear eye and face shield, and protective clothing when working with batteries to avoid injury.

5. Check the condition of the batteries.
  - a. Specific gravity (1.280 is ideal for fully charged batteries).
  - b. The battery bank voltage should come up to about 30.7 volts at the end of the cycle.
  - c. The DC charging current should start in the "normal" range and end in the "finish" range.

If the charger is still inoperative after the above checks have been made, call your nearest authorized service center.

### Capacitor Test

If a commercial capacitor checker is not available, the following test may be made:

1. Briefly short the capacitor terminals together with a screwdriver.
2. Disconnect a wire from either capacitor terminal.
3. Adjust an ohmmeter to a high value such as RX10K or RX1 Meg.
4. Connect the ohmmeter leads to the capacitor terminals.
5. A good capacitor will cause the indicator to move quickly to zero ohms, then slowly return to infinite ohms. An open capacitor will not cause any indicator movement; a shorted capacitor will give a continuous zero ohms reading.
6. If the test is to be repeated, the capacitor terminals must again be shorted together briefly.

### Diode Test

1. You must have a #308 ct. Everready continuity tester or equivalent/
2. Desolder both wires from the diode lead connections. (Clamp heatsink pliers on the diode leads to avoid damaging the diodes.)
3. Attach one of the test unit leads to either diode lead.
4. Attach the other test unit lead to the diode heatsink.
5. Turn the test unit on and note if the test unit bulb lights.



**DANGER:** Reversing charge or polarity of wiring could cause batteries to EXPLODE causing serious bodily harm to yourself or others.

- 6.. Reverse the test unit leads in Steps 3 and 4.
7. Turn the test unit on and note if the test unit bulb lights.
8. **Good diode** - test light bulb should light up in one of Steps 5 and 7 and not in the other.

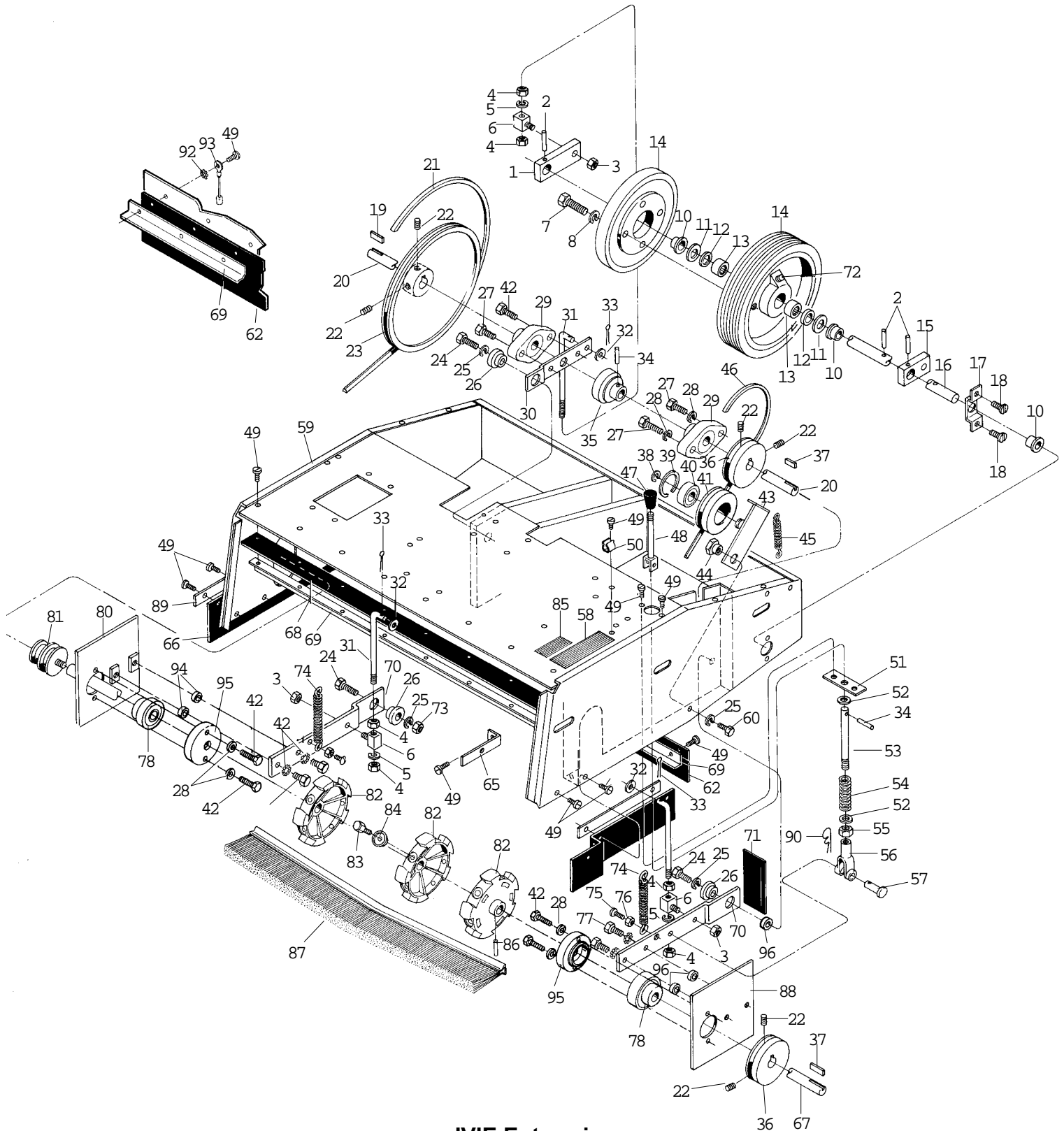
**Defective diode** - test bulb will light up in both Steps 5 and 7.

**Defective Diode** - Test bulb will not light up in either Steps 5 or 7.

### IVIE Enterprises

[www.ivie-ent.com](http://www.ivie-ent.com) Ph:(918)254-5161 or (888)262-5161 Fax:(918)250-4807

**CLARKE TECHNOLOGY Model SPS-28  
Main Frame, Brush Assembly and Drive System Drawing 1/99**



**IVIE Enterprises**

[www.ivie-ent.com](http://www.ivie-ent.com)

Ph:(918)254-5161 or (888)262-5161 Fax:(918)250-4807

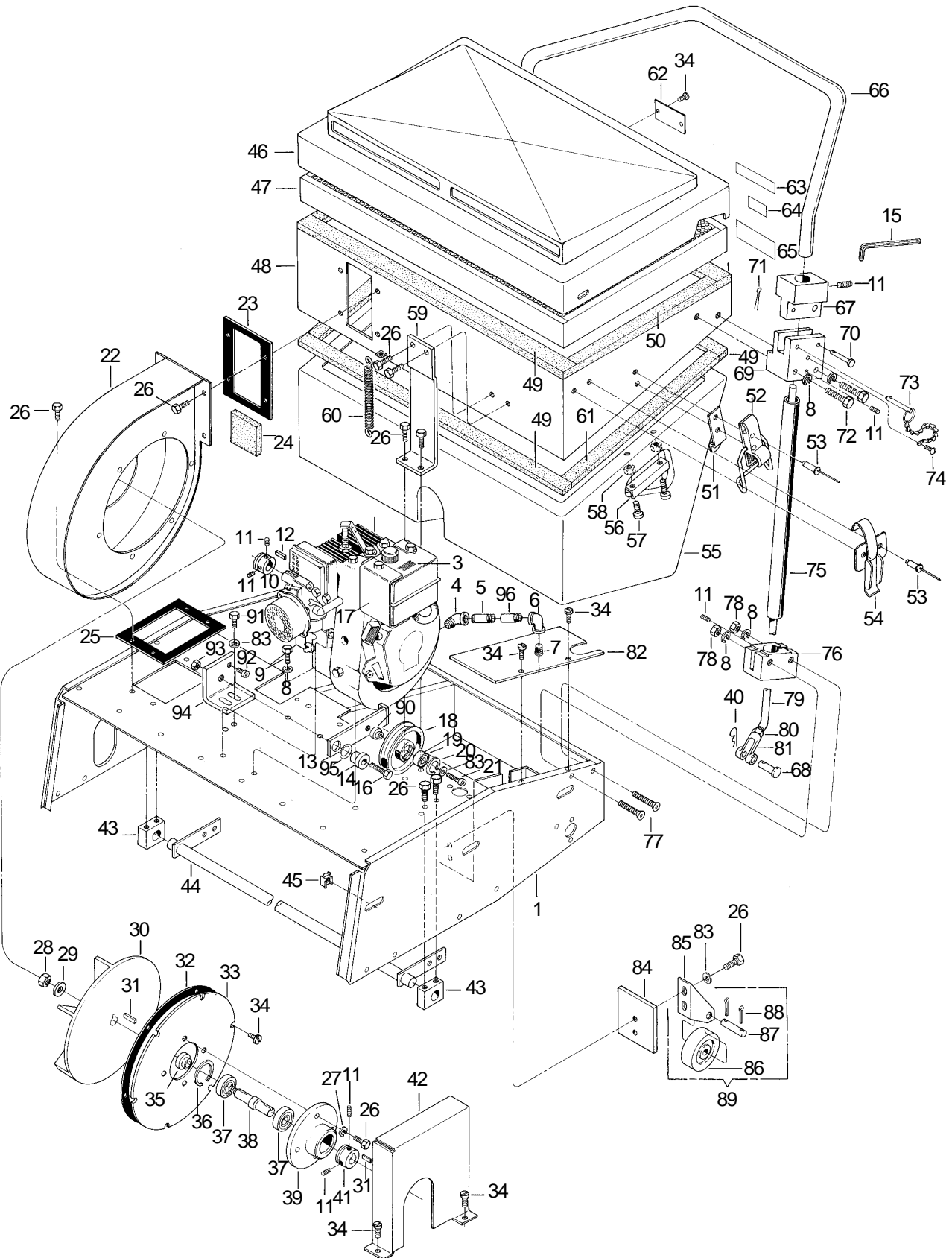
**CLARKE TECHNOLOGY Model SPS-28**  
**Main Frame, Brush Assembly and Drive System Parts Lists 1/99**

Ref #	Part No.	Description	Qty	Ref #	Part No.	Description	Qty
1	790322	Arm, Lower Clutch, R.H.	1	50	302101	Clamp	1
2	925543	Pin, 1/8 x 1 1/4 Roll	3	51	796623	Plate, Brush Lift	1
3	920349	Nut, 1/4-20	3	52	791121	Bushing, Spring	2
4	920160	Nut 5/16 - 18 Hx Jam	6	53	797423	Rod, Brush Lift	1
5	980652	Washer 5/16 Lock	3	54	858302	Spring	1
6	791323	Block, Pedal Pivot	3	55	920329	Nut, 5/16 -24 Hex	1
7	85813A	Screw 5/16 -18 x 1" Hx	4	56	809904	Yoke	1
8	980652	Washer 5/16 Lock	8	57	806705	Pin	1
9	799728	Wheel	1	58	795121	Label, Instruction	1
10	902710	Bearing, Wheel Shaft	3	59	60072A	Frame Assembly, Main	1
11	980023	Washer, Thrust	2	60	962302	Screw, 3/8 x 16 x 5/8 Hex	1
12	877661	Seal, Oil	2	61			
13	902682	Bearing, Wheel	2	62	798526	Skirt, Brush Rear	1
14	799729	Wheel	1	63	798528	Skirt, Brush L.H.	1
15	790326	Arm, Lower clutch, L.H.	1	64	797225	Retainer, L.H. Skirt	1
16	797721	Shaft, Wheel	1	65	797224	Retainer, L.H. Skirt	1
17	798530	Support, Wheel Bearing	1	66	798527	Skirt, Brush R.H.	1
18	962385	Screw, 10-24 x 1/2	2	67	797722	Shaft, Brush	1
19	915044	Key, 3/16 x 3/16 x 1	1	68	798525	Skirt, Hopper Top	1
20	797727	Shaft, Brush Drive	1	69	797221	Retainer	2
21	903540	Belt, Drive	1	70	790337	Arm, Brush	2
22	962103	Screw, 5/16 -18 x 3/8	6	71	797620	Seal, Brush Arm	2
23	796920	Pulley, Driven	1	72	883351	Grease Fitting	1
24	962686	Screw, 5/16 -18 x 1 1/2 Hx	2	73	920260	Nut, 3/8 -16 x 5/16 Hex	2
25	980638	Washer, 3/8 "Lock	4	74	53038A	Spring	2
26	808256	Spacer, Parallel Arm Rear	3	75	962139	Screw, 1/4-20 x 5/8 Hex	2
27	962219	Screw, 1/4-20 x 7/8 Hex	2	76	920208	Nut, 1/4-20	2
28	980657	Washer, 1/4 Lock	2	77	962709	Screw, 1/4-20 x 1/2 Hex	4
29	902713	Bearing	2	78	902746	Bearing, Brush Shaft	2
30	790324	Arm, Clutch	1	79			
31	797422	Rod, Brush Lift	3	80	797829	Shield Assembly, Broom Dust	1
32	980651	Washer, 5/16 Plain	3	81	796922	Pulley, Side Broom Drive	1
33	925036	Pin, 3/32 x 3/4 Cotter	3	82	792703	Driver, Brush	3
34	925550	Pin, 1/8 x x 1" Roll	1	83	962893	Screw 1/4-20 x 7/8 Hex	15
35	799727	Wheel, Friction Drive	1	84	797205	Retainer	15
36	796921	Pulley, Brush Drive	2	85	920364	Nut, 1/4-20 speed	15
37	915076	Key, 3/16 x 3/16 x 9/16 Ling Sq.	2	86	925070	Pin, 1/4 x 1 1/2 Roll	3
38	167308	Retaining Ring	1	87	790923	Brush Segment Carpet	10
39	857301	Retaining Ring	1		790920	Brush Segment 28"	5
40	902659	Bearing	1	88	797828	Shield Assembly, Broom Dust L.H.	1
41	796926	Pulley, Brush Drive Idler	1	89	797223	Retainer, R.H. Skirt	1
42	962455	Screw, 1/4-20 x 1" Hex	6	90	856702	Pin, Hair, cotter	1
43	790320	Arm Assembly, Idler Pulley	1	91	797235	Retainer, Brush Strp. (Std Mach. Only)	15
44	798220	Spacer, clutch Arm	1	92	980675	Washer, #10 Shakeproof	1
45	858345	Spring, Bracket Adjusting Screw	1	93	798541	Strap, Static Discharge	1
46	903539	Belt, Brush Drive	1	94	798232	Spacer	2
47	815051	Knob, Handle	1	95	797236	Retainer	2
48	793923	Handle Assembly, Brush Lift	1	96	858207	Spacer	2
49	962546	Screw, 10 x 1/2 Rd. Hd. Type 23	26				

**IVIE Enterprises**

[www.ivie-ent.com](http://www.ivie-ent.com) Ph:(918)254-5161 or (888)262-5161 Fax:(918)250-4807

**CLARKE TECHNOLOGY Model SPS-28  
Engine, Dust Control & Handle Assembly Drawing 4/99**





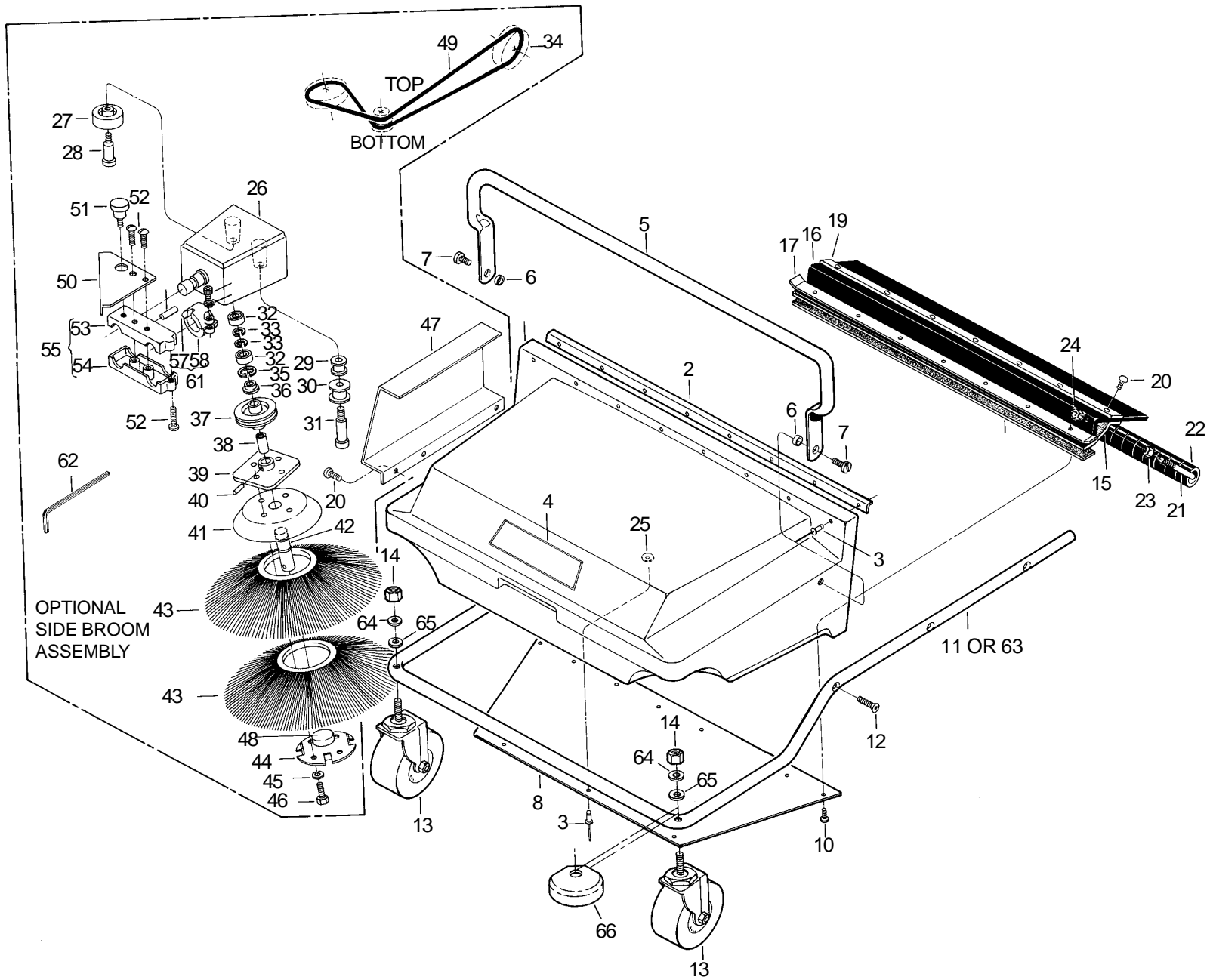
**CLARKE TECHNOLOGY Model SPS-28  
Engine, Dust Control & Handle Assembly 4/99**

Ref #	Part No.	Description	Qty	Ref #	Part No.	Description	Qty
1	60072A	Frame, Main	1	51	793820	Guide, Dust Hopper	2
2 <sub>u</sub>	792920	Engine, 5 H.P. Briggs and Stratton	1	52	682006	Clamp Assembly, Lid	2
3	285161	Label, Gasoline	1	53	930086	Rivet, <sup>3</sup> / <sub>16</sub> x .450 Long	10
4	722824	Elbow, <sup>1</sup> / <sub>4</sub> x 45° Street Brass	1	54	285102	Latch, Inspection Door	3
5	755721	Nipple, <sup>1</sup> / <sub>4</sub> x 2 <sup>1</sup> / <sub>2</sub> " Brass	1	55	60070A	Hopper, Dust	1
6	822806	Elbow, <sup>1</sup> / <sub>4</sub> x 90° Brass	1	56	797226	Retainer, Dust Hopper	2
7		Drain Plug - Part of Engine		57	962385	Screw 10- 24 x <sup>1</sup> / <sub>2</sub> Bdg. Hd.	4
8	822806	Washer <sup>5</sup> / <sub>16</sub> Lock	8	58	920200	Nut, 10 - 24 Hex	4
9	196157	Screw, <sup>5</sup> / <sub>16</sub> -18 x 1 <sup>1</sup> / <sub>4</sub> Hex	4	59	790832	Bracket, Dust Housing Support	1
10	796924	Pulley, Engine	1	60	53038A	Spring	1
11	962103	Screw, <sup>5</sup> / <sub>16</sub> -18 x <sup>3</sup> / <sub>8</sub> Set	8	61	793425	Gasket, Dust chamber Bottom	2
12	915044	Key <sup>3</sup> / <sub>16</sub> x <sup>3</sup> / <sub>16</sub> x 1" Square	1	62		Serial No. Plate - Gasoline (Blank)	1
13	790335	Arm, Assembly	1			Serial No. Plate - Battery (Blank)	1
14	798231	Spacer, Parallel Arm Rear	1	63	215104	Label, Warning	1
15	987013	Wrench, Allen <sup>5</sup> / <sub>32</sub> "	1	64	755129	Label, Patent Pending	1
16	962216	Screw, <sup>3</sup> / <sub>8</sub> x 16 x 1" Hex	1	65	795120	Label, Instruction	1
17	793624	Guard, Gas Tank	1	66	793920	Handle, Upper	1
18	796925	Pulley, Idler	1	67	790825	Bracket, Handle Pivot	2
19	902659	Bearing	1	68	806705	Pin	1
20	857301	Retaining Ring	1	69	790824	Bracket, Handle	2
21	962454	Screw, <sup>1</sup> / <sub>4</sub> -20 x 1"	1	70	796721	Pin, Handle Pivot	2
22	60073A	Housing Assembly, Blower	1	71	925004	Pin, <sup>1</sup> / <sub>16</sub> x <sup>1</sup> / <sub>2</sub> Cotter	2
23	793424	Gasket, Duct to Filter	1	72	85818A	Screw, <sup>5</sup> / <sub>16</sub> - 18 x 2 <sup>1</sup> / <sub>2</sub> Hex	4
24	791221	Bumper, Dust Hopper	1	73	796720	Pin Assembly, Handle Release	2
25	793423	Gasket, Duct to Frame	1	74	85392A	Screw 6-32 x <sup>3</sup> / <sub>8</sub> Pan Hd	2
26	962709	Screw <sup>1</sup> / <sub>2</sub> Sems	20	75	793922	Handle, Lower	2
27	980657	Washer <sup>1</sup> / <sub>4</sub> Lock	4	76	798524	Support, Handle	2
28	920110	Nut, <sup>5</sup> / <sub>16</sub> -18 Elastic Stop	1	77	962894	Screw, <sup>5</sup> / <sub>16</sub> - 18 x 2 <sup>1</sup> / <sub>2</sub>	4
29	980210	Washer, Impeller	1	78	920160	Nut, <sup>5</sup> / <sub>16</sub> - 18 Jam	4
30	614820	Impeller	1	79	797420	Rod, Traverse	1
31	915044	Key, <sup>3</sup> / <sub>16</sub> x <sup>3</sup> / <sub>16</sub> x 1" Square	1	80	920329	Nut, <sup>5</sup> / <sub>16</sub> -24 Hex	1
32	793420	Gasket, Blower Mounting Adapter	1	81	809904	Yoke	1
33	790221	Adapter Assembly, Blower Mounting	1	82	62665A	Cover, Frame	2
34	962835	Screw, 10 x 24 x <sup>1</sup> / <sub>2</sub> Hx St. Typ F	6	83	980646	Washer, <sup>1</sup> / <sub>4</sub> Plain	7
35	618220	Spacer, Impeller	1	84	796631	Plate, Stabilizer Whl. Stiffner	2
36	067304	Snap Ring	1	85	798537	Support, Rear Wheel	2
37	902550	Bearing	2	86	419702	Wheel	2
38	617704	Shaft, Impeller	1	87	796722	Pin, Wheel Support	2
39	794224	Housing, Bearing	1	88	925036	Pin, <sup>3</sup> / <sub>32</sub> x <sup>3</sup> / <sub>4</sub> Cotter	4
40	856702	Pin, Hair Cotter	2	89	799724	Wheel Assembly, Stabilizer	2
41	796923	Pulley, Blower	1	90	798230	Spacer, Idler Pulley	1
42	793620	Guard, Belt	1	91	962086	Screw, <sup>1</sup> / <sub>4</sub> -20 x <sup>3</sup> / <sub>4</sub> Hx Hd.	2
43	790830	Bracket, Lift Shaft	2	92	962799	Screw, <sup>1</sup> / <sub>4</sub> -20 x <sup>3</sup> / <sub>8</sub> Soc. Cap	1
44	797726	Shaft Assembly	1	93	920148	Nut, <sup>3</sup> / <sub>8</sub> -16 Hex Jam	1
45	920993	Nut, <sup>3</sup> / <sub>16</sub> -18 Panel	6	94	790846	Bracket, Idler Arm	1
46	60074A	Cover, Filter	1	95	980202	Washer Wave	1
47	793320	Filter, Dust	1	96			
48	15724A	Housing Asm., Dust Chamber	1	97	170266	Coupling	1
49	793422	Gasket, Dust Chamber	4				
50	793421	Gasket, Dust Chamber Top	2				

NOTE: <sub>u</sub> indicates a change has taken place since last publication of this manual.

**IVIE Enterprises**

[www.ivie-ent.com](http://www.ivie-ent.com) Ph:(918)254-5161 or (888)262-5161 Fax:(918)250-4807



CLARKE TECHNOLOGY Model SPS-28  
Hopper and Optional Side Room Assembly Drawing 1/99

IVIE Enterprises

[www.ivie-ent.com](http://www.ivie-ent.com) Ph:(918)254-5161 or (888)262-5161 Fax:(918)250-4807

Download from Ww.Somanuals.com. All Manuals Search And Download.

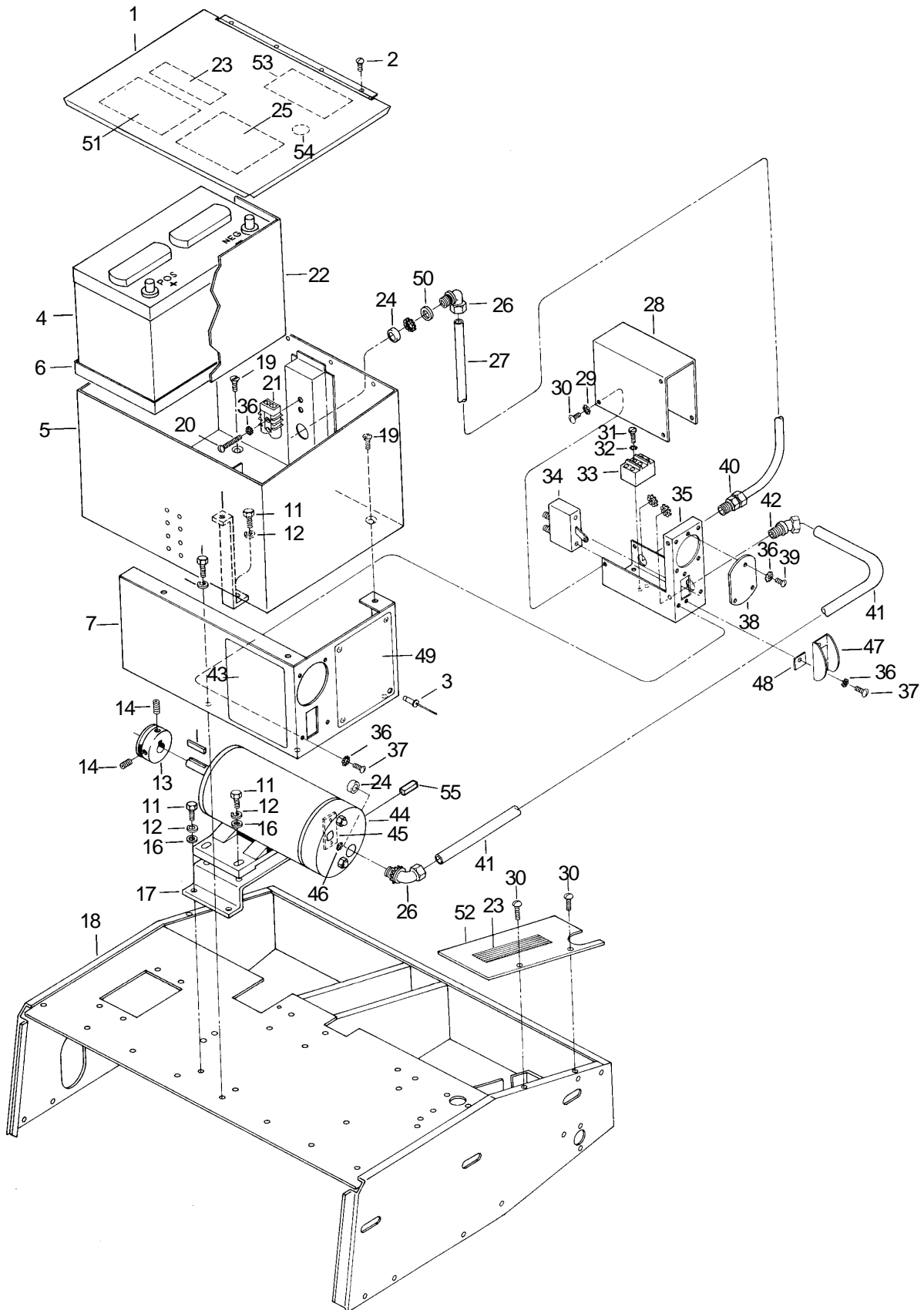
**CLARKE TECHNOLOGY Model SPS-28**  
**Hopper and Optional Sidebroom Assembly Parts List 1/99**

Ref #	Part No.	Description	Qty	Ref #	Part No.	Description	Qty
1	60075A	Hopper	1	34	796922	Pulley, Side Broom Drive	1
2	798529	Support, Hopper Top	1	35	857301	Ring, Retaining	1
3	930090	Rivet, <sup>5</sup> / <sub>32</sub> Dia.	8	36	798205	Spacer	1
4	725197	Label, Clarke	1	37	796901	Pulley, Side Brush Drive	1
5	793921	Handle, Hopper	1	38	792401	Clutch	1
6	798203	Spacer, Carrying Handle	2	39	794320	Hub, Side Brush	1
7	962568	Screw, <sup>5</sup> / <sub>16</sub> -18 x 1/2 Bdg. Hd.	2	40	925062	Roll Pin	1
8	797820	Shield, Hopper	1	41	794001	Holder, Side Brush	1
9	962385	Screw, 10-24 x 1/2 Bdg. Hd.	3	42	797701	Shaft	1
10	962677	Screw, 10-24 x 3/4 Pan Hd.	8	43	790901	Brush, Side	2
11	791220	Bumper, Front	1	44	796420	Plate, Brush Retaining	1
12	962803	Screw <sup>5</sup> / <sub>16</sub> -18 x 1 1/2	1	45	980657	Washer, 1/4 Lock	5
13	889706	Wheel, Swivel	2	46	962481	Screw, 1/4-20 x 1 1/4 Hx Cap	4
14	920196	Nut 1/2-13 ESNA	2	47	793621	Guard, Side Broom Belt	1
15	790823	Bracket, Skirt to Hopper	1	48	798228	Spacer	1
16	798523	Skirt, Hopper	1	49	903538	Belt, Side Brush Round	1
17	797220	Retainer, Lower Skirt	1	50	793622	Guard, side Brush	1
18	793426	Gasket, Hopper	1	51	725020	Knob	1
19	797222	Retainer, Hopper Skirt	1	52	962716	Screw, 1/4-20 x 1 1/2	2
20	962073	Screw, 10 - 1/2 Rd. Hd. Type Z	11	53	790331	Arm, Side Brush, Top	1
21	797421	Rod, Roller	1	54	790331	Arm, Side Brush, Bottom	1
22	797501	Roller	26	55	790331	Arm Assembly, side brush	1
23	920160	Nut, <sup>5</sup> / <sub>16</sub> -18 Hex Jam	2	56	925132	Pin, 1/4 x 3/4	1
24	920110	Nut, <sup>5</sup> / <sub>16</sub> -18 Elastic Stop	2	57	792023	Clamp, Top	1
25	920200	Nut, 10-24 Hex		58	792023	Clamp, Bottom	1
26	794201	Optional Sidebroom Assembly Housing, side Brush	1	59	962454	Screw, 1/4-20 x 1"	2
27	419702	Wheel	1	60	980657	Washer, 1/4 Lock	2
28	960953	Screw, Wheel	1	61	792023	Clamp Asm., Side Brush	1
29	796902	Pulley	1	62	987516	Wrench, <sup>3</sup> / <sub>16</sub>	1
30	796903	Pulley	1	63	61300A	Bumper (Carpet Only)	1
31	960970	Shoulder Bolt, Pulley	1	64	980626	Washer, 1/2 Lock	2
32	902659	Bearing	1	65	980662	Washer (Carpet Only)	2
33	167308	Ring, Retaining	2	66	63900A	Guard, Caster (Carpet Only)	2

**IVIE Enterprises**

[www.ivie-ent.com](http://www.ivie-ent.com) Ph:(918)254-5161 or (888)262-5161 Fax:(918)250-4807

CLARKE TECHNOLOGY Model SPS-28  
Battery Powered Model Drawing 1/99



**CLARKE TECHNOLOGY Model SPS-28  
Battery Powered Model Drawing 1/99**

Ref #	Part No.	Description	Qty
1	60071A	Cover Assembly, Battery Access	1
2	962003	Screw, $\frac{5}{32} \times \frac{3}{8}$ Rd. Hd.	4
3	930093	Rivet, $\frac{1}{8} \times \frac{1}{4} - \frac{5}{16}$ Pop	4
4	871376	Battery, 95 Amp Hr. (Wet)	2
	871377	Battery, 95 Amp Hr. (Dry)	2
5	15726A	Housing Assembly, Battery	1
6	799224	Tray, Battery	2
7	15725A	Housing Assembly, Motor	1
8	962709	Screw, $\frac{1}{4}-20 \times \frac{1}{2}$ Hx St. Sems	3
9	980657	Washer, $\frac{1}{4}$ Lock	6
10	790826	Bracket, Battery Support	1
11	85811A	Screw, $\frac{5}{16} -18 \times \frac{3}{4}$ Hex Hd.	8
12	980652	Washer $\frac{5}{16}$ Lock	12
13	796927	Pulley, Motor	1
14	962103	Screw, $\frac{5}{16} \times 18 \times \frac{3}{8}$	2
15	915044	Key, $\frac{3}{16} \times \frac{3}{16} \times 1"$ Long Square	1
16	980651	Washer, $\frac{5}{16}$ -Plain	4
17	790827	Bracket Asm., Motor Mounting	1
18	60072A	Main Frame Assembly	1
19	962800	Screw, $\frac{1}{4}-20 \times \frac{1}{2}$ Flat Hd.	4
20	962212	Screw 6-32 x $\frac{7}{8}$ Rd. Hd.	2
21	911470	Wire Assembly, Battery Plug	1
22	797827	Shield, Battery	2
23	795136	Label, Warning	2
24	791120	Bushing, Conduit Insulating	2
25	895196	Label, Warning	1
26	792437	Connector 90° Conduit	2
27	799024	Tubing, Battery Enclosure to Circuit Breaker	1
28	792322	Cover Assembly, Enclosure	1
29	980603	Washer, #1110 Shakeproof	6
30	962546	Screw, 10 x $\frac{1}{2}$ Rd. Hd. Type 23	10
31	962399	Screw, 8-32 x $1\frac{1}{4}$	2
32	980612	Washer #8 Lock	1
33	911438	Block, Terminal	1
34	911440	Switch, Toggle	1
35	792921	Enclosure, Circuit Breaker	1
36	980607	Washer, #1106 Shakeproof	5
37	962045	Screw, 6-32 x $\frac{1}{4}$ Rd. Hd.	2
38	792325	Cover, enclosure	1
39	962330	Screw, 6-32 x $\frac{3}{8}$ Rd. Hd.	3
40	792438	Connector, Straight Conduit	1
41	799021	Tubing, Circuit Breaker to Motor	1
42	792436	Connector, 45° Conduit	1
43	795145	Label, Wiring Diagram	1
44	795220	Motor, Drive 24 Volt DC	1
45	794720	Insulation, Paper (Motor)	1
46	980614	Washer, #1114 Shakeproof	2
47	793623	Guard, Switch	1
48	792337	Cover, Switch Guard	1
49	796327	Plate, Safety Label (Eng. Sp.)	1
50	980303	Washer	1
51	895178	Label, Battery Care Instruction	1
52	62665A	Cover, Frame	2
53	795151	Label, Battery Size	1
54	795143	Label, UL Decal	1
55	790926	Brush, Motor	1



**CLARKE TECHNOLOGY Model SPS-28**  
**Wiring Diagram 1/99**

Ref #	Part No.	Description	Qty
1	871376	Battery, 95 amp Hr. (Wet)	2
	871377	Battery, 95 amp Hr. (Dry)	2
2	41207A	Cable, Battery	1
3	911470	Connector	1
4	951006	Wire Assembly	1
5	855607	Hour Meter (Optional)	1
6	911440	Circuit Breaker	1
7	980614	Washer, ¼ External Tooth	4
8	950807	Wire Assembly, #10 White	1
9	950806	Wire Assembly, #10 White	1
10	950805	Wire Assembly, Terminal Board - Mtr.	1
11	951004	Wire Assembly, #10 Black	1
12	794720	Insulator Motor	1
13	795220	Motor, Drive	1
14	911438	Block, Terminal	1
15	950813	Wire Assembly	1
16	842406	Cable	1

**IVIE Enterprises**

[www.ivie-ent.com](http://www.ivie-ent.com) Ph:(918)254-5161 or (888)262-5161 Fax:(918)250-4807

## Free Manuals Download Website

<http://myh66.com>

<http://usermanuals.us>

<http://www.somanuals.com>

<http://www.4manuals.cc>

<http://www.manual-lib.com>

<http://www.404manual.com>

<http://www.luxmanual.com>

<http://aubethermostatmanual.com>

Golf course search by state

<http://golfingnear.com>

Email search by domain

<http://emailbydomain.com>

Auto manuals search

<http://auto.somanuals.com>

TV manuals search

<http://tv.somanuals.com>