

Classé Audio, Inc.

SSP-30 MKII

Preamplifier/Surround Sound Processor

SSP-30 MKII

Owner's Manual

IMPORTANT: SAFETY INFORMATION

CAUTION: PLEASE READ AND OBSERVE ALL WARNINGS AND INSTRUCTIONS IN THIS OWNER'S MANUAL AND ALL THOSE MARKED ON THE UNIT. RETAIN THIS OWNER'S MANUAL FOR FUTURE REFERENCE.

- 1) Do not open the SSP-30 MKII for any reason, there are no user serviceable parts inside. An open unit, particularly if it is still connected to an AC source, presents a potentially lethal shock hazard. Refer all questions to authorized service personnel only. Do not attempt to service the SSP-30 MKII yourself.
- 2) To prevent fire or shock hazard, do not expose the SSP-30 MKII to water or moisture. If a liquid other than clear water or pure alcohol does enter SSP-30 MKII take it to your Classé dealer for a thorough check-up.
- 3) Do not place the SSP-30 MKII close to any heat-producing device such as your audio amplifier(s), and also keep it away from direct sunlight, or a radiator, stove, etc.
- 4) Connect the SSP-30 MKII only to an AC source of the proper voltage. The shipping container and the rear panel serial number tag will stipulate the proper voltage. Use of any other voltage will almost certainly damage the unit and will void the warranty.
- 5) AC cords should be routed so that they are not likely to be walked on or pinched by items placed upon or against them. Do not stress the AC cord by stretching to a plug. If damage does occur to the AC cord, take it to your Classé dealer for a thorough check-up and proper repair.
- 6) If the SSP-30 MKII will be out of use for an extended period of time (vacation, etc.), you may wish to unplug the power cord from the AC source to prevent any chance of problems from a voltage surge or lightning strike.

CE Notice

All of us at Classé take extreme care to insure that your purchase will remain a prized investment. We are proud to inform you that all Classé Audio components have been officially approved for the European Community (CE) mark under CE Certificate Number C401CLA1.MGS granted on 18 July, 1996.

This means that your Classé product was subjected to the most rigorous manufacturing and safety tests in the world. The CE mark certifies that your purchase meets or exceeds all European Community requirements for unit-to-unit consistency and consumer safety.

The **SSP-30 MKII** is manufactured under license from Dolby Laboratories Licensing Corporation. It is additionally licensed under one or more of the following patents: U.S. number 3,959,950, Canadian numbers 1,004,603 and 1,037,877.

Manufactured under license from Lucasfilm Ltd. U.S. patent numbers 5,043,970; 5,189,703; and 5,222,059. European patent 0 323 830. Other patents pending.

Additionally, the **SSP-30 MKII** is manufactured under license from Digital Theater Systems, Inc.

Dolby® Pro Logic®, and Dolby Digital® are registered trademarks of Dolby Laboratories Licensing Corporation.

DTS® is a registered trademark of Digital Theater Systems, Inc.

Thank You From Everyone At Classé

Thank you for purchasing the Classé Audio SSP-30 MKII Preamplifier/Surround Sound Processor.

We take great pride in offering components that combine exceptional sonic performance and long-term reliability. To do that, we have invested in extraordinary design and manufacturing facilities. We trust that you will enjoy your purchase for many years to come.

Classé Design Philosophy

All of our components benefit from the same rigorous design goal: All Classé products must reproduce music with the harmonic and spatial integrity typical of fine instruments as heard in a live performance or in the recording studio.

Single Circuit Design

To this end, we make extensive use of carefully optimized versions of the same basic circuit precisely matched to specific power requirements. This means that all Classé line level components and power amplifiers benefit from years of refinement. However, our efforts do not stop here.

Listening: The Critical Design Element

Once we determine general circuit values for a particular application, we listen carefully while exchanging and mixing different parts (transistors, capacitors, wiring, PC boards, etc.) and adjusting specific operating voltages within proper engineering ranges.

Extended Real-World Lifespan

Every Classé component, even the most affordable, benefits from our painstaking approach to design parameters. The result is an optimum balance between the often-conflicting demands of exceptional performance and long-term reliability. Our most expensive components gain from even tighter tolerance parts and highly segmented and exceptionally robust power supplies with large reserve-current capabilities.

Our Pride in Manufacturing, Your Pride in Ownership.

We build all of our components to the highest possible standards. From multi-layer glass-epoxy circuit boards, the full sized power-supplies, and the massive faceplates, every Classé product is a tribute to both the science and art of sound reproduction. We hope that you derive as much pleasure and satisfaction in using your Classé unit as we did in producing it.

The Classé SSP-30 MKII Preamplifier/Surround Sound Processor is a beautiful sounding high end two channel Preamplifier which also does the complex Surround Sound tasks of making multi-channel movies out of data, while remaining simple and intuitive enough for anyone to use. The SSP-30 MKII is the high quality center of any audio and home theater installation. It will sound and work best in your system when used with other high end products, such as those from Classé. Classé has a powerful selection of single, dual and multi channel power amplifiers, and also builds wonderful CD/DVD players and CD players.

This owners manual will make it possible for you to set up the SSP-30 MKII and begin using it only a very few minutes after you take it out of the box. The Section 1 quickly details getting it out of the box and suggests a few precautions. Section 2 explains how to plug in all the wires from all the associated equipment. Section 3, 4, 5, and 6 include instructions on setting up and using the SSP-30 MKII stereo and surround sound capabilities correctly.

The most difficult part of the set-up will be attaching all the wires. Classé recommends labeling each and every input or output wire in your system, including the AC cables. When you've done this you will know what equipment is connected at each end. Labeling is a simple task which takes a few extra minutes, but which can save hours of effort if you ever want to change anything, even a single cable or wire.

It is also a good idea to make a chart of all the associated equipment and how you want to attach everything together. Even a simple penciled flow chart will make your tasks go faster with fewer hookup errors. You can keep the chart for later reference when you want to add to or subtract equipment from the system.

Contents

IMPORTANT: SAFETY INFORMATION	3
CE NOTICE	3
THANK YOU FROM EVERYONE AT CLASSÉ	4
CLASSÉ DESIGN PHILOSOPHY.....	4
SINGLE CIRCUIT DESIGN	4
LISTENING: THE CRITICAL DESIGN ELEMENT	4
EXTENDED REAL-WORLD LIFESPAN.....	4
OUR PRIDE IN MANUFACTURING, YOUR PRIDE IN OWNERSHIP.	4
SECTION 1.0 - GETTING STARTED	7
1.1 UNPACKING THE SSP-30 MKII.....	7
1.2 OPTIMAL PLACEMENT	7
1.3 VENTILATION.....	7
A FEW NOTES ABOUT THE SSP-30 MKII AND THE SET-UP	8
SECTION 2.0 - CONNECTING THE SSP-30 MKII.....	10
SECTION 3.0 - FRONT PANEL CONTROLS	13
SECTION 4.0 - THE SSP-30 MKII REMOTE CONTROL.....	14
SECTION 5.0 - SETTING UP THE SSP-30 MKII	17
5.1 AUDIO SETUP:	18
5.2 SPEAKER SETUP:	19
5.3 SOURCE SETUP:	21
5.4 DISPLAY SETUP:	23
5.5 TRIGGER SETUP:	24
SECTION 6.0 - USING THE TAPE INPUTS AND OUTPUTS.....	25
6.1 RECORDING AUDIO/VIDEO, ANALOG:	25
6.2 RECORDING ANALOG AUDIO ONLY.....	26
6.3 RECORDING DIGITAL AUDIO/VIDEO.....	26
6.4 RECORDING DIGITAL AUDIO ONLY.....	27
SECTION 7.0 - REMOTE ZONE USE.....	27
APPENDIX A RC5 CODES FOR CLASSÉ SURROUND PROCESSORS AND CD/DVD-1.....	28
APPENDIX B MODE CHART	30

Section 1.0 - Getting Started

1.1 Unpacking the SSP-30 MKII

Your Classé **SSP-30 MKII** is packed in high-density foam inside a special cardboard container. To remove the unit, carefully open and spread the Top box flaps. (There are heavy-duty staples under each end of the lengthwise tape.) Remove the top foam piece(s) and then carefully remove the **SSP-30 MKII** itself. Be Careful with it while it is still covered in the protective plastic, insuring that you do not rest it on its front or rear, as possible damage to knobs and connectors can occur. Put it down carefully on a flat, soft surface. Take it out of the heavy plastic bag and place the **SSP-30 MKII** on a sturdy surface. Carefully inspect it and report any concealed damage to your dealer immediately.

In addition, look for the following accessories:

- 1) The Owner's Manual (This one)
- 2) One detachable AC power cord.
- 3) One remote control handset (with two AAA batteries).

We **strongly** recommend that you save the shipping carton and foam inserts. The **REQUIRED** Replacements are expensive to purchase. The packaging was designed to protect the **SSP-30 MKII** under almost all circumstances and will be very useful in protecting the valuable electronic instrument if you move or need to ship the unit for any reason.

1.2 Optimal Placement

Carefully locate the SSP-30 MKII. Follow the safety precautions in this manual regarding exposure to heat and moisture.

Stable, high-strength shelving or equipment racks specifically designed for audio/video components are best.

Place the SSP-30 MKII close enough to other components to allow convenient connection. This is especially true for source components (CD player, DVD player...) where shorter cable runs are best. However, we do not recommend closely stacking the SSP-30 MKII with other components, especially tuners, as they may be affected by radio-frequency emissions from the SSP-30 MKII's microprocessor.

Allow *at least* four inches of free space behind the SSP-30 MKII to accommodate interconnect cables, power cords, etc. Four inches of unobstructed free space above the SSP-30 MKII's chassis cover will allow sufficient air circulation to dissipate the small amount of heat.

Isolate power amplifiers as much as possible to avoid the magnetic fields often generated by their large power-supply transformers. The SSP-30 MKII's high current output stage is virtually immune to problems sometimes encountered when the power amplifiers are far away at the end of long cable runs.

We do not recommend placing the processor near power amplifiers since they produce heat.

1.3 Ventilation

CAUTION: Ventilation is very important. We do not recommend attempting to operate the SSP-30 MKII if the ambient temperature exceeds 40°C (100°F). There are components inside which produce heat. If there is insufficient ventilation around the chassis the processors will overheat and may act erratically until allowed to cool. Any cabinet should have adequate airflow to allow warm air to leave and cooler room air to enter. Positive Ventilation is required in some installations due to the heat generated by the associated electronics.

A few notes about the SSP-30 MKII and the Set-up

The SSP-30 MKII decodes Dolby Digital EX[®], DTS-ES Matrix[®] and Dolby Pro Logic II[®]. It also functions as a high quality stereo preamplifier. The 7.1 channel input is equipped with comprehensive volume control facilities and ensures that the SSP-30 MKII will remain compatible with new multi-channel formats as they appear. The SSP-30 MKII also has several music modes that may be used to enhance a normal stereo signal.

The SSP-30 MKII accepts up to seven digital input sources, eight line-level input sources, plus a tape loop and two additional record outputs. It has six composite and S-Video inputs, composite and S-Video monitor outputs, composite and S-video record outputs and an S-Video monitor output without On Screen Display (OSD) for highest quality video performance.

The SSP-30 MKII has two main modes of operation. In the normal operation mode the SSP-30 MKII automatically senses the type of the incoming signal and selects the best mode for that signal. The user can over-ride the automatic selection and select different post-processing modes for the incoming signals. These modes feature a mono down-mix, stereo, Stereo96, Dolby Pro Logic and four Music modes: Natural, Party, PLII Music and Neo6: Music. The user can bypass the digital section of the SSP-30 MKII, if desired, and connect, for example, a high quality stereo source to the Left and Right channels of the 7.1 channel input.

The SSP-30 MKII is supplied with a comprehensive IR remote control.

Options for system integration are provided by RC5 jacks to interface with other Classé products, by the three 12VDC trigger outputs to control external equipment and can communication with a PC or home automation system via the RS 232 interface.

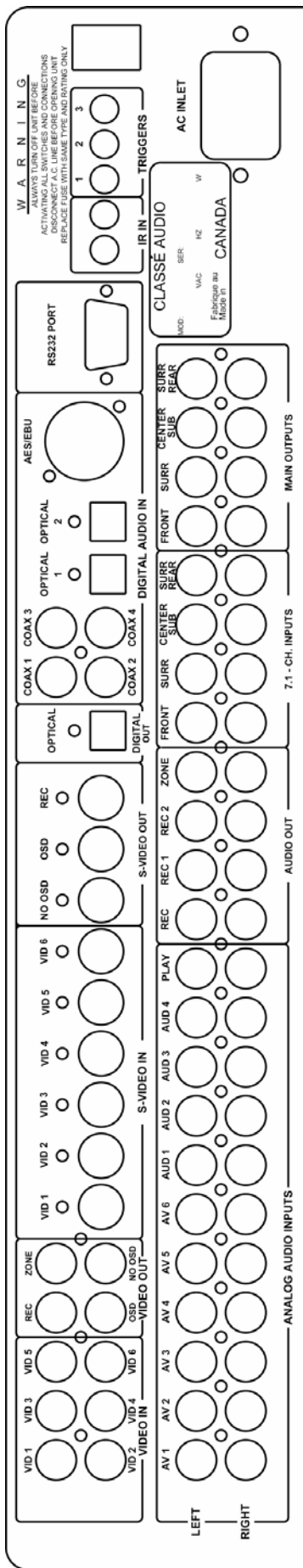
Installation note

This preamplifier generates a modest amount of heat and thus requires ventilation. Do not place it on a rug or other soft surface into which it could sink. The SSP-30 MKII should not be placed in a built-in installation such as a bookcase or rack unless proper ventilation is provided. . Do not place another unit on top of the SSP-30 MKII. **Do not place the SSP-30 MKII above a unit that generates heat.**

CAUTION: To prevent a fire or shock hazard, do not permit this product to become wet. If liquid is accidentally spilled on it, unplug the AC cord it from the wall. Allow sufficient time for then SSP-30 MKII to completely dry out before attempting to operate it again. If the spilled liquid is anything but clear water and/or alcohol, a qualified service technician should examine the processor before it is used again.

Do not remove the cover, or attempt to modify or repair the processor yourself. Refer all servicing to a qualified technician.

This product is manufactured under license from DTS[®], and Dolby Laboratories Licensing Corporation. "Dolby", the double-D symbol, "Dolby Digital[®]" and "Pro Logic" are trademarks of Dolby Laboratories Licensing Corporation.



SSP-30 MKII REAR PANEL

Section 2.0 - Connecting the SSP-30 MKII

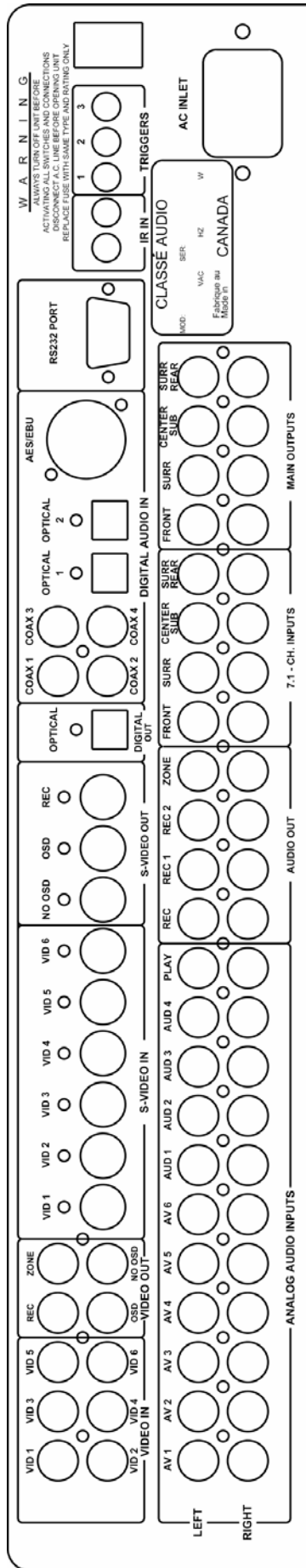
Use the diagram on the previous page to follow the discussion regarding input and output connections.

SAFETY NOTE: Before you begin work we very strongly advise that all electronic equipment be unplugged from the AC outlets. They should at least be switched off with the AC switch (NOT in Standby). Failure to follow the above advice can result in damage to speakers and to electronics and perhaps to you.

RCA-style cables should be *rotated (twisted)* slightly as you insert them into (or remove them from) the SSP-30's jacks.

The SSP-30 MKII has a complete and well-thought-out panel of connections available, enough for even a complex audio and theater system.

- 2.1 **VIDEO INPUTS:** The six Video Inputs (S-Video and Composite) are assigned to the like numbered *analog* (AV) inputs: VID1 is associated with AV1, VID2 with AV2, etc.
 - 2.1.1 **DIGITAL INPUTS:** The seven Digital inputs may be assigned to any Audio source, (AV1 – AV6 and AUD1 – AUD4). Any Digital input may be assigned to more than one source.
NOTE: When a 24/96 PCM digital signal is fed to one of the digital inputs of the SSP-30 MKII, the Signal will not go through the DSP, therefore only the Stereo and Mono modes will be available under this condition.
 - 2.1.2 **AUDIO INPUTS:** When an audio source is selected for listening, the analog (if any) signal assigned to that input will also appear at the record, record1, record2, and (if selected) at the remote zone outputs. Any Digital input assigned to the same source will be heard at the Main 7.1 outputs only. When you have both a digital and an analog input assigned to an audio source the *analog* signal will appear only at the three record outputs and (if selected) at the remote zone output. The Digital signal will be processed and routed at the main outputs and also appear unprocessed at the digital output. The analog signal going to the record-outs does not go through the A to D and D to A processors. The two signals are handled separately. There is no way to send the processed digital information to any of the record or remote outputs.
 - 2.1.3 **TAPE INPUTS:** The PLAY input functions as part of a tape loop. It is designed to accept the output from a two channel tape machine. Pressing the TAPE button on the front panel routes the analog audio signal on the PLAY input through the digital processor. You can change the output mode (Stereo, Natural, etc.), while listening to Tape. Because Mode is assigned to the input Source, the selected mode for PLAY will remain set when you exit and return. When you return to listening to the Source being taped the mode selected for the Source will return. See Section 6, on Taping.
 - 2.1.4 **7.1 INPUTS:** These are analog audio only inputs, designed to make it possible to listen to new multi-channel formats which are not currently available as a digital signal, such as SACD and DVD-Audio. These inputs are analog only, as the input goes only to a volume control and directly to the 7.1 Outputs.
 - 2.1.5 **VIDEO INPUTS:** The two styles of Video inputs are also separate from each other. S-Video does not convert to Composite video and Composite does not convert to S. If you want to have Video sent to the remote zone output you have to send the SSP-30 MKII a Composite video signal. Thus an S-Video signal can be sent to your television and to a recording VCR, while only Composite video can be sent to the remote zone. (S-Video should be sent only over a short length of cable).
 - 2.1.6 **IR INPUTS:** There are two IR inputs. They allow you to make a connection from the remote Zone area as well as from the Main listening/viewing area. The two IR can not accept simultaneous input, though each will allow you to fully control the SSP-30 MKII; the Zone can be controlled from either the Main area or Zone and the Main area can be controlled from either the Main or the Zone area. Neither of the IR inputs can be reconfigured as outputs, thus the SSP-30 MKII should be the last piece in the IR chain.



SSP-30 MKII REAR PANEL

- 2.2 **OUTPUTS:** Video output exists for both Composite and S-Video formats, and both the Composite and S-Video outputs have On Screen Display and NO OSD. The On-Screen can be turned off and on. There is only a Composite video output for the remote Zone and both S-Video and Composite video outputs for recording. S-Video input also delivers a composite Video output. (S-Video In to S-Video Out will deliver higher quality video). There are both analog audio outputs and a digital audio output.
- 2.2.1 **7.1 OUTPUTS:** The 7.1 Outputs are to be used for the main room. They deliver both stereo and multi-channel signals, depending on the source signal and the mode of playback you choose. The left back, right back, or both back channels can be selected, but only the left back channel will be available when only one back speakers is setup.
- 2.2.2 **DIGITAL AUDIO OUTPUT:** The Optical digital output (TOSlink) delivers the same digital audio information as it is present at the digital input of the selected source. Analog information will not be converted to digital for output here. This digital signal can be routed to another surround processor or to a high-quality DAC.
- 2.2.3 **REC AUDIO OUTPUTS:** There are three record audio outputs. All output the analog audio input on the currently accessed Main Source. Digital Input is not decoded to these outputs.
- 2.2.3.1 When deciding what input and output cable combinations you will need, you have to first decide how you will be using the processor. If you use the Remote Zone you can have two sources, each playing in a separate area. However, you cannot record one source while watching another, unless you utilize the Remote Zone output as a tape out. Be aware that to record a Satellite feed when you are listening to a decoded digital signal in the main area, you must have the analog two channel analog output from the Satellite receiver plugged into the same Source as the digital audio from the satellite receiver.

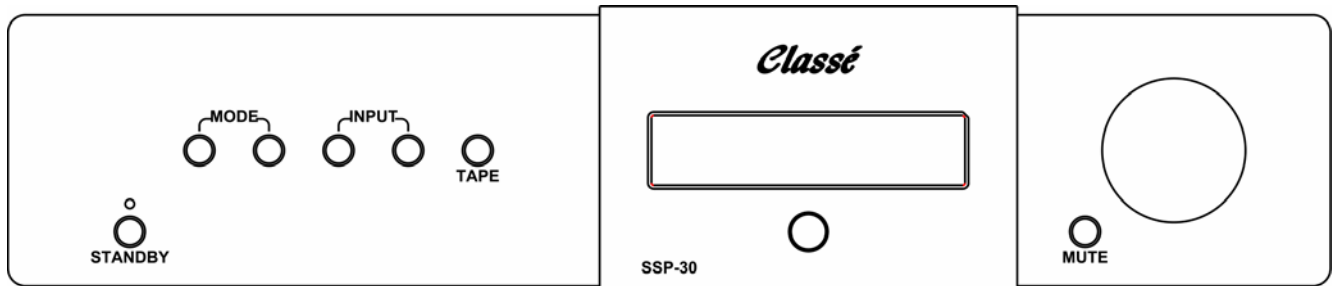
FOR EXAMPLE:

- Digital (audio) information from Satellite Receiver is plugged into COAX1
- COAX1 is assigned to AV1
- Analog two channel output from satellite receiver is plugged into AV1 analog inputs
- S-Video from the Satellite receiver is fed to VID1 S-Video input
- Composite Video from Satellite Receiver is plugged into VID1 Composite Video input
- Select AV1 as source for Main area
- 7.1 Main outputs will contain decoded digital audio from COAX1
- Record outputs will contain signal only from analog inputs of AV1. Zone, (If Zone has selected AV1 as source) will also only have AV1 analog signal).
- S-Video output from AV1 appears at S-Video OSD and NO OSD and at S-Video REC
- Composite Video from AV1 appears at Composite OSD and NO OSD, plus REC and Zone Composite, (If Zone has selected AV1 as its source).

With only a little thought and planning you can turn the SSP-30 MKII into a strong control center. To record a source, or to play music throughout you house you will need to connect both the digital and the analog inputs from several audio or audio video pieces, such as a CD player, a Satellite receiver or a DVD player. See the Section on Taping.

- 2.3 **TRIGGER OUTPUTS:** The three Triggers give you a great deal of control over your total system. Trigger 1 may be set up separately from Triggers 2 and 3. They may be individually set up to turn on and off various discreet, or chains of, other components. The Triggers only deliver voltage, but the delivery can be configured in several ways, to allow you to properly signal equipment to turn off and on. See Section 5.5 TRIGGER SETUP, for a full explanation.

Section 3.0 - Front Panel Controls



SSP-30 MKII front face view

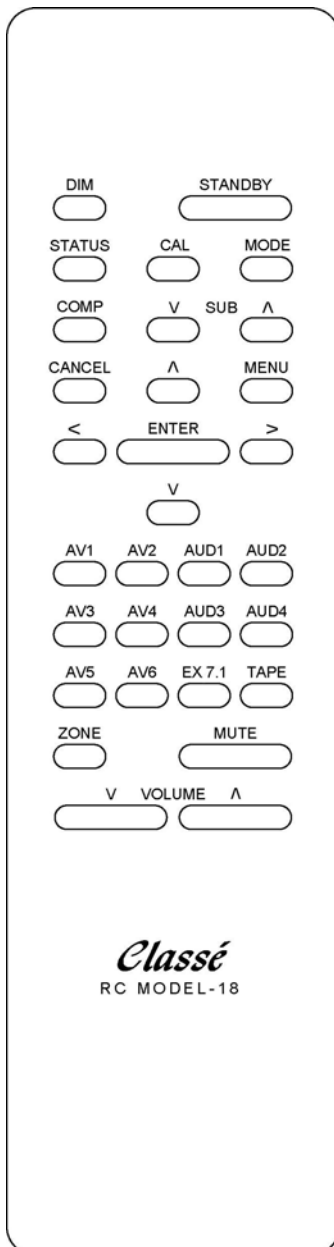
The SSP-30 MKII has an intuitive operation. The seven controls on the face of the processor give you all the options you need to turn it on and use it successfully day after day.

- 3.1 The “**STANDBY**” button turns the SSP-30 MKII off and on. Actually there is an off/on switch on the rear of the unit which turns the AC off and on, so the Standby button takes the unit in and out of standby if the AC switch is On. When it is in Standby the light above the button glows green, when in “Operate” mode the light is out and the display is lit. You can turn the SSP-30 MKII on and off using the “Standby” button on the remote control.
- 3.2 The “**MODE**” buttons are used to scroll through all the available Music Modes of operation. The available Music Modes depend on the audio input signal type. Appendix B shows all the available Music Modes (subject to change) and indicates which speakers are active. The Subwoofer is not included in the table since it is active if selected in the Speaker Setup.
- 3.3 The “**INPUT**” buttons are used to scroll left and right through the ten available Sources; AV1 – AV6 and AUD1 – AUD4 and the External 7.1 input. Once the Sources are set up, when you access each one it will begin to automatically process any audio or audio/video information correctly. If you wish to change the processing style you can utilize the MODE buttons to scroll to the preferred method, as long as you are not listening to DTS or Dolby Pro Logic.
- 3.4 The “**TAPE**” button selects the “PLAY” input and sends the program to the main output. The previously selected Main Source remains as the source and continues to play through the “REC (n)” outputs. (See the notes in Setup (section 6.0) regarding Taping).
- 3.5 The “**MUTE**” button mutes the audio output. Press the button again to return to the previous listening level. Turning the volume up releases the Mute condition, while turning volume down maintains Mute until the Mute button is pressed again.
- 3.6 The unlabeled “**VOLUME**” knob changes the volume in all of the connected speakers; left to reduce it and right to increase it, just like any other volume control. (When the SSP-30 MKII is Muted the volume can be “reduced” using the Volume control without coming out of Mute, but if the knob is turned to the right to increase the volume the SSP-30 MKII will begin playing again immediately.)
- 3.7 The front panel display shows the current operation of the SSP-30 MKII, including the selected input, the Format Mode and Mute or the current Volume level.

Section 4.0 - The SSP-30 MKII Remote Control

The keys on the SSP-30 MKII remote control are laid out in an easy to use pattern. The keys have been set in groups according to their use. The first three rows, DIM through SUB, are a set of eight buttons with a variety of relatively unrelated tasks which, with the exception of STANDBY, you will probably use infrequently. The second section is made up of three rows beginning with CANCEL and ending with the single key V. The seven keys are used during the Setup of the surround processor, so they also will be infrequently used. The five bottom rows, beginning with AV1 and ending with the VOLUME \wedge key are the keys you will use most often. They include the keys used to directly access a Source, the MUTE and the VOLUME up and down keys, as well as ZONE.

The following is a list of the Remote Control Keys and their functions.



DIM Press this key once and the display dims by about 90%; a second press returns the display to its normal brightness.. Dim mode will continue indefinitely until the dim button is pressed again.

NOTE: The dim setting does not reset when put in STANDBY, though it will reset to bright if the rear on/off switch is cycled, or if the AC supply is interrupted.

STANDBY Pressing the STANDBY button causes the SSP-30 MKII to turn On if Off or Off if it is On. AC power must be supplied and the rear panel AC rocker switch beside the power cord must be in the on position. The "Standby" Mode turns off all outputs and blanks the display window. The 12 volt triggers are also for details) de-activated or activated depending on the trigger setting (see section 5.5 for details).

STATUS Pressing the STATUS key causes the SSP-30 MKII to display on the TV screen the setup for the currently selected Source. The displayed information includes the name of the input, the decode mode, the location and type of audio and video input selected.

NOTE: Similar information is always shown in the display window of the SSP-30 MKII

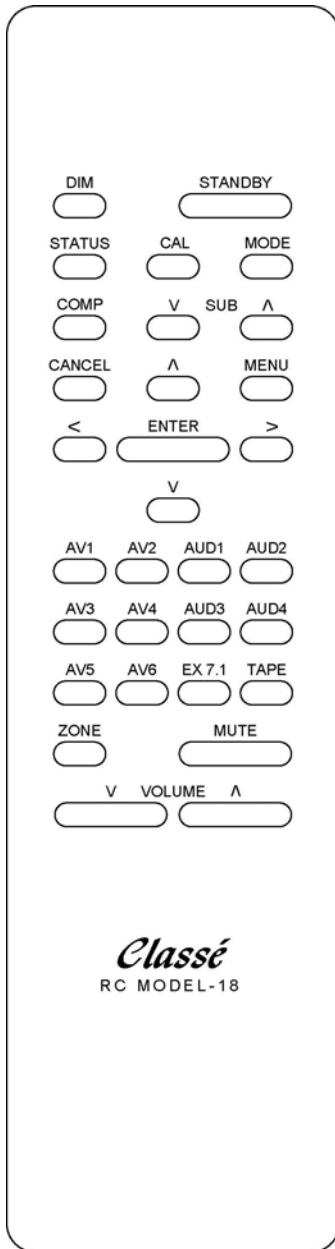
MODE > Press the Mode key to scroll through all the available Music modes of operation. The Modes of operation are: Mono, Stereo, Stereo 96, Dolby Pro Logic, Dolby PL II Movie, Dolby PL II Music, Neo:6 Cinema, Neo:6 Music, Natural, and Party. See Appendix B

NOTE: These are Music Modes, and do not affect Dolby Digital or DTS.

The STEREO 96 Mode will only work with the Analog inputs. The signal will then be passed through the SSP-30 MKII's A/D and sampled at 24/96 in stereo mode.

CAL Press the CAL key once you are in the level setup menu to initiate the white noise test signal.

COMP Press this key to reduce the dynamic range of the audio. Utilizing a process called dynamic compression, the processor can prevent loud passages from getting too much louder than the normal passages. Turning on this feature allows you to enjoy your movie or other program when you don't want to disturb neighbors or family. Please Note that this function is only active in Dolby Digital and Stereo.



SUB V Press this key to *Decrease* the SUBwoofer(s) output. This is a temporary correction of the Subwoofer output. Low frequency output resets to levels set in Setup when the SSP-30 MKII is put into Standby.

SUB ^ Press this key to *Increase* the SUBwoofer(s) output. This is a temporary correction of the Subwoofer output.

CANCEL Press this key to leave the Setup Menus without saving any of the changes you might have made.

^ THIS KEY HAS TWO FUNCTIONS: Press this key to navigate through the different selections available in the Setup Menus, while in a menu select or change a value. ALSO: After pressing the ZONE key this key and the V key increase or decrease the volume at the Zone outputs.

MENU Pressing the MENU key brings up the page of the Setup Menu you were last using. This makes it easy to return to a setup parameter you were trying to get just right. No matter where you start in the Setup Menu though, you can quickly and easily navigate to any other section.

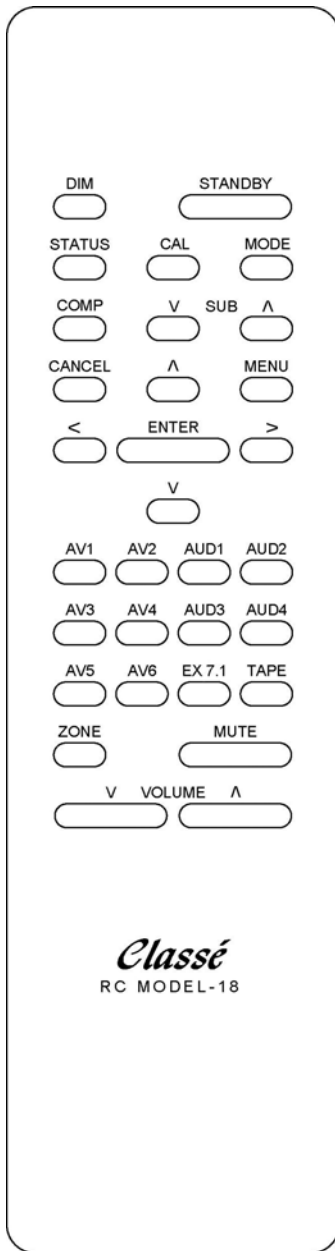
< THIS KEY HAS TWO FUNCTIONS: Press this key to navigate through the different selections available in the Setup Menus, while in a menu select or change a value. ALSO: After pressing the ZONE key this key and the > key scroll through the Audio and Audio/Video Sources to play at the Zone outputs

ENTER The ENTER key is used in the Setup Mode to memorize a change, or to access a sub menu or to search for an input.

> THIS KEY HAS TWO FUNCTIONS: Press this key to navigate through the different selections available in the Setup Menus, while in a menu select or change a value. ALSO: After pressing the ZONE key this key and the < key scroll through the Audio and Audio/Video Sources to play at the Zone outputs

V THIS KEY HAS TWO FUNCTIONS: Press this key to navigate through the different selections available in the Setup Menus, and while in a menu to select or change a value. ALSO: After pressing the ZONE key this key and the ^ key decrease or increase the volume at the Zone outputs.

AV1 (-AV6) These six keys each directly access one of the AV Sources consisting of a Video Input and a hard-wired Analog Audio input plus any associated Digital Audio input selected during setup. (These keys cannot be used to select Zone Sources. The > and < Scroll keys must be used.)



AUD1 (-AUD4) These four keys each directly access one of the Audio Sources consisting of a hard-wired Analog Audio input plus any associated Digital Audio input selected during setup. (These keys cannot be used to select Zone Sources. The > and < Scroll keys must be used.)

EX 7.1 Press this key to listen to the Special 7.1 Analog inputs. (The 7.1 inputs cannot be accessed in the remote Zone.)

TAPE Press this key to Listen to tape through the Main output. This is also a useful key to use to Monitor the quality of a tape you are making. The Main Source continues to be the Source selected, so you can continue to Tape. Toggle this Key to switch between Tape and main Source. See Note in Setup regarding the Tape Loop.

ZONE Press this key to access the Zone Access Mode. Immediately press either the V or ^ keys to decrease or increase the volume or the < or > key to Scroll back and forth through the Ten Sources.

MUTE THIS KEY HAS TWO FUNCTIONS: Press this key to Mute the Main outputs. ALSO: After pressing the ZONE key use this key to Mute the Zone outputs.

V VOLUME Press this key to decrease the volume of the Main outputs. The Main volume keys affect only the Main outputs.

VOLUME ^ Press this key to increase the volume of the Main outputs. The Main volume keys affect only the Main outputs.

Section 5.0 - Setting Up the SSP-30 MKII

The SSP-30 MKII has a complete and well-thought-out configuration system, flexible enough for even a complex audio and Home Theater system. You will find setup to be quite intuitive, and that once set up, operation of the SSP-30 MKII will prove to be simple and straightforward.

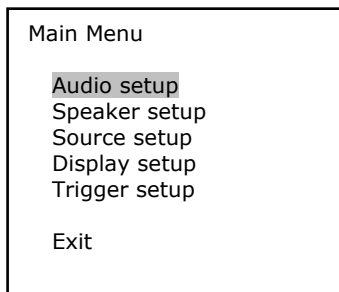
Setup requires use of the supplied Classé remote control. You may use either the On-Screen (TV) menu or the illuminated front panel readout. The two methods are equally easy to use and understand. The same highlighted selection on the TV output is the visible on the panel.

To Begin: be sure the SSP-30 MKII is on. (Press "Standby" if green light on the left is on). If the SSP-30 MKII is not on, and the green light is not lit, turn the unit "ON" with the rocker switch above the AC cord on the rear panel. (The SSP-30 MKII may be left in "Standby" mode indefinitely when not in use. You may wish to unplug it or turn it completely off when you will be away for a long period of time, or when a thunderstorm threatens.)

You must use the Classé remote control to Set Up the SSP-30 MKII.

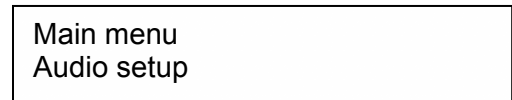
Pressing the MENU key on the remote accesses the main menu. The \wedge and \vee keys (above and below the ENTER key) scroll through the main menus and the sub-menus, highlighting the choices. Press the ENTER key to access the menu item you have highlighted.

Press the MENU key on the remote. The box on the left shows the display on the TV screen and the box on the right shows the display on the front panel of the processor.



TV Display

These displays show that you have accessed the Main menu and highlighted the Audio setup feature. You can scan through the available choices by pressing repeatedly the \vee and \wedge buttons on the remote. When the feature you wish to adjust is highlighted press the ENTER key.



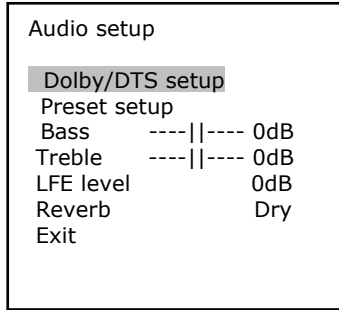
Panel display

Pressing the MENU key to begin setup brings up screens similar to the ones above. Seven sub menus and Exit are displayed:

- | | |
|------------------|--|
| 1. Audio Setup | Configures 5 custom audio presets, increase or decrease Bass or Treble output, adjust LFE level, enable PL II panorama, adjust PL II width, adjust PL II dimension, adjust Reverb wetness. |
| 2. Speaker setup | Defines speaker size, level and distance settings. |
| 3. Source setup | Defines and adjusts each Source, including Name, Digital input (if any), Preset and also adjusts Analog to Digital gain amount. |
| 4. Display setup | Defines various Video parameters, including NTSC/PAL and OSD |
| 5. Trigger setup | Defines the use of the three Voltage Triggers |
| 8. Exit | Memorizes current settings and returns to full operation. |

The functions are adjusted using the < and > keys. Though the \wedge and \vee keys can jump from first item to last, (and last to first), the < and > keys stop at the first or last choice.

5.1 AUDIO SETUP:



TV Display

These displays show that you have accessed the Audio setup sub-menu and highlighted the Dolby/DTS setup. You can scan through the available choices by pressing repeatedly the ∇ and \blacktriangle buttons on the remote. When the feature you wish to adjust is highlighted press the $<$ or $>$ key to decrease or increase the level. When you are satisfied with the level, put the cursor besides Exit and press the **ENTER** key.



Panel Display

5.1.1 Audio setup: The Audio setup includes Dolby/DTS setup, Preset setup, Bass and Treble controls, LFE (Low Frequency Effects) level and Reverb wetness adjustment.

- Treble and Bass settings can be adjusted plus or minus 12dB in 1dB steps.
- The LFE (Low Frequency Effects) channel contains only low frequency signals. It is the "0.1" of the 5.1 or 7.1 channel digital surround signal. The LFE channel is present only with Dolby Digital, DTS and DTS-ES sources. The LFE level can be set from -10dB to 0dB.
- The Reverb wetness adjustment controls the amount of effect of the ambient music modes.

5.1.2 Dolby/DTS setup: This sub menu permits the following adjustments: PLII Panorama (ON/OFF), PLII Center Width adjustment (Min to Max), PLII Dimension adjustment (0 to 3) and Neo:6 Center Image adjustment (Min to Max).

- PL II panorama setting affects the surround sound field. If the PL II panorama is "On", the sounds from the front channels are spread to the surround channels.
- PL II width controls the width of the front surround field.
- PL II dimension controls the front surround balance of the sound field.

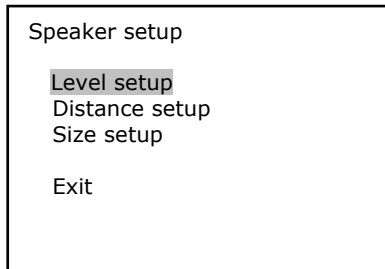
5.1.3 Preset setup: The Presets are used to change temporarily the bass, treble and levels of the center, surround and subwoofer speakers. The Preset setup allows adjusting of five different presets, which can be assigned to any source in Source setup.

- Treble and Bass settings replace the settings in the Audio setup
- Center, Surround, and Subwoofer settings are added to values in the Level setup.

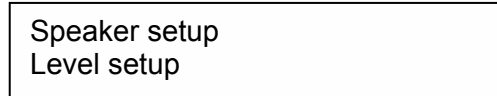
5.2 SPEAKER SETUP:

You may wish to set up the speakers first. It will make it easier to properly set the speaker output levels if you have configured the SSP-30 MKII so it “knows” what speakers you have in the system as well as the speaker sizes. You should also consult the manual for the speakers and for the subwoofer and decide what crossover frequency you should set for the subwoofer. Usually the crossover frequency will be around 80 Hz, but if your speakers are small and have no real Bass capability you may wish to get more information from the woofer by setting the crossover at 100 Hz or 120. You may also wish to check with your dealer about this section of the setup sequence.

These displays show that you have accessed the Speaker setup sub-menu and highlighted the Level setup. You can scan through the available choices by pressing repeatedly the ∇ and \blacktriangle buttons on the remote. When the speaker you wish to adjust is highlighted press the $<$ or $>$ key to decrease or increase the size or presence. To Exit scroll down to Exit and press the ENTER key.



TV display



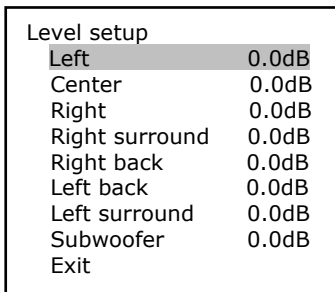
Panel display

5.2.1 Level setup: Although this manual is following the setup sub-menus in the order they appear on the Main menu screen, it will usually be necessary to first go to the Size setup section (Section 5.2.3), to configure the speakers in your particular system. You must tell the SSP-30 MKII how many speakers you have, what their size is and where they are in relation to the listener. We recommend you first use the “Speaker setup” selection to set those parameters, and then use the “Distance setup” (Section 5.2.2), to set the correct distances before moving on to the “Level setup” Menu selection. You will want to set the crossover point for the subwoofer you are using (if you are using one).

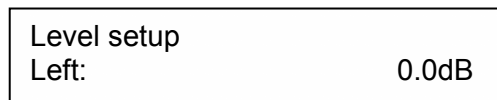
Level setup is most easily accomplished with the aid of an SPL meter. An inexpensive but relatively accurate meter is available at most Radio Shack stores, or through their catalog.

Classé recommends all speakers be set at equal levels, at a sound pressure level of 75dB. This level will usually enable you to watch movies with the Volume level set at 0dB, depending of course upon the show, how loud you like to listen and, of course, your neighbors.

These displays show that you have accessed the Level setup sub-menu and highlighted the Left Front speaker level control. You can scan through the available choices by pressing repeatedly the ∇ and \blacktriangle buttons on the remote. When the speaker you wish to adjust is highlighted press the $<$ or $>$ key to decrease or increase the level. When you are satisfied with the level highlight Exit and press the ENTER key.



TV Display



Panel Display

Highlighting a speaker selection does not cause that speaker to play pink noise. To play pink noise at the relative level displayed on the right side of the screen or panel, you must first turn on the Test signal. Press the CAL key on the remote control to start the signal. The SSP-30 MKII will immediately begin playing pink noise through one speaker after another. Next, use the \blacktriangle or ∇ keys to scroll to each speaker you wish to test/adjust. Press either the $<$ or $>$ key to begin playing pink noise through the selected speaker. Continue to press the $<$ and $>$ key to adjust the volume of that speaker until the

5.2.1 Level setup (continued)

SPL meter reads 75 dB. The > key increases speaker SPL and the < key decreases SPL. Use either the \wedge or \vee to scroll to the next speaker you wish to adjust, use < or > to start it playing and correct the adjustment. As noted previously, setting the output levels to 75dB is most easily done with the aid of an SPL meter. You can get close using your ears, but best matching will be achieved using an SPL meter.

When you are satisfied with the levels of the speakers let the pink noise cycle through all the speakers a few times to be sure all the audio output levels are the same, then press CAL to exit the test signal. Scroll down to Exit and press ENTER to exit the Level Menu. The settings will be memorized.

5.2.2 Distance setup: Distance is used to synchronize the arrival of sound coming from several speakers so it arrives at the listeners' ears at the correct time. This makes it possible for you to localize the apparent direction and distance of a sound in the surround environment. Setup of the delay time to be built into the Center and Surround speakers is a simple matter of measuring the relative distances from the listener to the front Left and Right speakers and to the Center and the Surrounds.

Measure the distances of the different speakers from the listening position. The Left and Right Front speakers should each be approximately the same distance from the listening position, and the Center speaker and the Surround speakers should be closer to the listener or a distance equal to that of the Front Left and Right speakers. Don't forget to measure the distance for the subwoofer. To change the unit of measurement used in the distance setup must go to the display setup and select feet or meters. **NOTE: To change the distance unit to Feet or Meter, go to the Display Setup Menu.**

Given the available setup parameters, it would seem wise to be sure the woofer is somewhat closer to the listener than the Front Left and Right, and that the Center and Surrounds are no further away from the listener than the Front Left and Right speakers.

Distance setup	
Left	1.0m
Center	1.0m
Right	1.0m
Right surround	3.0m
Right back	3.0m
Left back	4.0m
Left surround	4.0m
Subwoofer	1.0m
Exit	

TV Display

These displays show that you have accessed the Distance setup sub-menu and highlighted the Left speaker distance. You can scan through the available choices by pressing repeatedly the \vee and \wedge buttons on the remote. When the speaker you wish to adjust is highlighted press the < or > key to decrease or increase the level. When you are satisfied with the level highlight Exit and press the ENTER key.

Distance setup	
Left	1.0m

Panel display

- You can set the speaker distances by pressing the left and right arrow keys. The range of adjustment is from 0 ft (0m) to 71 ft (21.7m). However the maximum difference of the nearest and most distant speaker is 17 ft (5.2m).
- Distance values outside of the above stated limits will be displayed in a different color, usually red. That speaker should be moved closer or the nearest speaker should be moved further.
Also, if the difference between the left and the right front channels exceeds 3 feet or 1 Meter, an error message will appear showing that the delay exceeds 2 ms. between the left and the right main channels.
- If a channel is not chosen in the size setup menu, "None" is displayed and the distance cannot be changed

5.2.3 Size setup: The size setup defines which speaker can handle full range signals as in the case of “Large” speakers. Also the subwoofer settings are in this menu.

Size setup	
Main speakers	Large
Center speaker	small
Surround speakers	small
Back speakers	No
Subwoofer	Yes
Subwoofer freq	80 Hz
Subwoofer filter	Off
Enhanced bass	On
Exit	

TV Display

These displays show that you have accessed the Size setup sub-menu and highlighted the Main speaker size control. You can scan through the available choices by pressing repeatedly the √ and ∧ buttons on the remote. When the speaker you wish to adjust is highlighted press the < or > key to set the speaker size. When you are satisfied with the settings, highlight Exit and press the ENTER key.

Size setup	
Main speakers	Large

Panel display

- The speakers that can handle a full range frequency signal should be set to “Large”.
- The speaker that cannot handle a full range frequency signal should be set to “Small”. The bass signal will be redirected to the front Large speakers or subwoofer if present.
- If a speaker is not present (e.g. Center) you should set it to “None”.
- If there is only one back speaker connected, select “1 Small” or “1 Large” depending on the size of the speaker. Connect the back speaker to the LEFT BACK output of the 7.1 output section.
- The subwoofer filter can be bypassed if you wish to use the filter built into your powered subwoofer.
- You can set the subwoofer crossover frequency from 40 Hz to 140 Hz in 10 Hz steps. The crossover frequency defines the frequency below which the low frequency signal does not go to small speakers, but is redirected to the large speakers or subwoofer.
- Enhanced Bass duplicates the subwoofer information to both the large speakers and the subwoofer. You may desire this in some cases to get more bass from your system.

Classé recommends a conservative approach towards speaker setup. Setting up medium sized speakers as Large may degrade the sound by asking speakers to do more than they can. Subwoofer, especially the modern ones available now, are very good at filling in the low frequencies for a whole system. If you don’t let them provide the full amount of low frequencies required to balance your system you will often miss many of the sound effects in a program you’re watching.

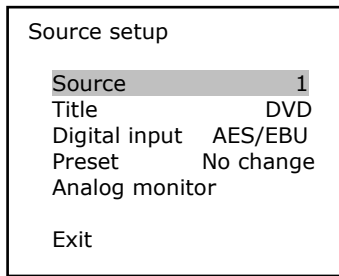
5.3 SOURCE SETUP:

Source setup is an easy task and should go quickly. In Source setup you assign the digital audio inputs to the AV1 through AV6 video inputs (up to the number of Video inputs you will be using) and to the AUD1 through AUD4 inputs (up to the number of Audio only inputs you will be using). The analog inputs are not assignable; VID1 through VID6 have AV1 through AV6 individually permanently assigned. AUD1 through AUD4 and PLAY are all analog inputs, but AUD1 – AUD4 can have a Digital input assigned to them. PLAY is an Analog-Only two channel input intended for use with the Monitor Out of a quality tape recorder. PLAY may also be used as the input of a processor loop if you wish to add an equalizer. (Notice there are three REC outputs.) See the notes above in Section 1 which discusses utilizing both a digital input and an analog input for each source.

As you can see from the on-screen display on the next page, the individual inputs are numbered 1 through 10, the first six are the dedicated Video sources (AV1 – AV6) and 7 through 10 are dedicated as Audio-only sources (AUD1 – AUD4).

There are seven Digital inputs. Each may be assigned to any of the ten inputs, including assigning one digital input to more than one Source. If, for example, you wanted to utilize a CD/DVD player like our CD/DVD-1 as both a CD player and a DVD player you might want to assign the AES/EBU digital input to both the AV1 source and to the AUD1 source.

5.3 SOURCE SETUP (CONTINUED)



TV Display

These displays show that you have accessed the Source setup sub-menu and highlighted the Source 1 input. You can scan through the available choices by pressing repeatedly the ∇ and \blacktriangle buttons on the remote. When the selection you wish to adjust is highlighted press the $<$ or $>$ key to scroll through the choices. To memorize and Exit highlight Exit and press the ENTER key.



Panel Display

It is possible to change the name of the Sources, to make it easier to see what is playing as you move from one Source to another. You may use up to a total of 7 letters, numbers and symbols to designate a Source. If you would prefer to have a different name from the ones which are given, highlight "Title", then press the **ENTER** key. Now you can use the ∇ and \blacktriangle keys to scroll through the available letters and characters till you find the one you want. Move to the next position with a $>$ or $<$ key and continue changing characters. When you have completed the change press the **ENTER** key again. You can now scroll to Exit, or any other parameter you wish to change. When you are finished with each source merely scroll back to the "Source:" and use the $<$ or $>$ keys to select a new source.

It is quite simple to assign a digital input to any of the sources. First be sure you have picked the Source you want to attach the digital input to, then scroll to "Digital" and scroll through the inputs by pressing the $<$ and $>$ keys. There are seven inputs available. If there is no digital input on a particular Source be sure to set the "Digital" to Off.

5.3.1 Preset: The Preset parameter associates one of the five Presets defined in the preset setup to Each source. When the source is selected, the defined Preset settings are activated. If the setting is 'no change', then the last selected Preset settings are still active. If flat settings are wanted, select 'flat trim' when all trims are set to zero and treble and bass are the default values defined in Audio setup.

5.3.2 Analog monitor: Analog monitor is a link to a special screen mode, which can be seen only When using the On Screen Display. You will be using this mode for adjusting the analog sensitivity setting. First, you will need to play some music which has high peak levels, and see if the signal clips. Use the LEFT ($<$) and RIGHT ($>$) keys to adjust the gain so that the signal never clips, but in a Manner that the signal peaks will come within a few decibels below the 0dB level. You can change the scale with the UP (\blacktriangle) and DOWN (∇) keys. Press ENTER if you want to accept the new value or the CANCEL key to keep the old value. NOTE: Analog Monitor can also be used for monitoring digital input levels, but the input gain cannot be changed.

5.4 DISPLAY SETUP:

These settings are mainly “set and forget”, with the possible exception of OSD output. We have shipped your SSP-30 MKII with the “TV System” set to the correct format. If you are, however, having trouble with the picture it may be that the wrong format is set. It is easy to correct; there are only two formats, NTSC and PAL. Using the display on the front panel of the SSP-30 MKII, navigate to the Display setup screen and change the format to PAL or NTSC, whichever is correct for your TV and DVD player. All video sources and devices used together should have the same format.

Display setup	
TV system	NTSC
Superimpose	On
Temporary disp.	Full
Video format	Auto
OSD output	Both
Distance unit	Meters
OSD style	1
Exit	

TV Display

These displays show that you have accessed the Display setup sub-menu and highlighted TV System. You can scan through the available choices by pressing repeatedly the ∇ and \blacktriangle buttons on the remote. When the selection you wish to adjust is highlighted press the $<$ or $>$ key to scroll through the choices. To memorize and Exit highlight Exit and press the ENTER key.

Display setup	
TV system:	NTSC

Panel display

- 5.4.1 TV System: Use $<$ or $>$ to switch between NTSC and PAL.
- 5.4.2 Superimpose: Use $<$ or $>$ to change. “On” superimposes only words over the TV picture, while “Off” allows the OSD to completely replace the TV picture.
- 5.4.3 Temp. Display controls how long any On Screen Display remains present. Use $<$ or $>$ to change. It is possible to set the parameter to “Full”, (on all the time), “Simple”, (which keeps it on for a few seconds or “Off”, which prevents OSD entirely.
- 5.4.4 Video Format can be set to S-Video output or Composite, or Auto. Auto automatically selects the best source present. Use $<$ or $>$ to change.
- 5.4.5 OSD Output Use $<$ or $>$ to change. OSD can be applied to the Composite, or S-Video Monitor outputs, or both, or it may be switched Off. OSD can not be turned on for the “No OSD” outputs.
- 5.4.6 OSD style changes the screen and text color if Superimpose is switched Off.
- 5.4.7 Distance unit is setup in feet or meters for use in the Delay Setup menu.
- 5.4.8 Exit returns to the Main Menu, press **ENTER** when Exit is highlighted.

5.5 TRIGGER SETUP:

There are three Voltage Triggers on the SSP-30 MKII. They are used to turn associated equipment on and off.

Trigger setup
Trigger1 sense Power On
- polarity Posit.
- delay No
- duration Infin.
Trigger 2 sense: Power On
- polarity Posit.
- delay No
- duration Infin.
Exit

TV Display

These displays show that you have accessed the Trigger setup sub-menu and highlighted Trig1 sense. You can scan through the available choices by pressing repeatedly the ∇ and \wedge buttons on the remote. When the selection you wish to adjust is highlighted press the $<$ or $>$ key to scroll through the choices. To memorize and Exit highlight Exit and press the ENTER key.

Trigger setup
Trig1 sense: Power On

Panel Display

Trigger 1 controls the TRIGGER 1 voltage output and Trigger 2 controls the TRIGGER 2 and TRIGGER 3 outputs. Trigger 2 and Trigger 3 always turn On or Off at the same time. Use the ∇ and \wedge keys to select and use the $<$ and $>$ keys to cycle through the available choices. The following applies to both Trigger 1 and Trigger 2.

- 5.5.1 Trigger sense selects what event will activate the Trigger output. Set "sense" to Power On to activate the trigger when switching out of STANDBY (and de-activate it when returning to STANDBY). Alternatively the trigger output may be activated when a particular Source is selected.
- 5.5.2 Trigger polarity sets the polarity of the trigger output. "Posit." provides a +12V DC output when the trigger is active and no voltage when inactive. "Negat." sends no voltage output when the trigger is active and +12V when inactive.
- 5.5.3 Trigger delay sets a delay between the "sense" signal and the trigger output voltage changing. The delay may be set to various times from 1 second to 3 minutes or to "No" which gives no delay.
- 5.5.4 Trigger duration sets the period (duration) that the trigger output is active. The trigger duration may be set to various times from 10ms (milliseconds) to 3 minutes, or to "Infin." which keeps the trigger active while the "sense" condition prevails.

Exit returns to the main menu

Section 6.0 - USING THE TAPE INPUTS AND OUTPUTS

RECORDING AUDIO/VIDEO, AUDIO ONLY AND DIGITAL AUDIO/VIDEO

The SSP-30 MKII does NOT send decoded digital information to the record outputs. The output from the record outputs is two channels, but the SSP-30 MKII does not decode digital information and send it to either of the two-channel record outputs. *Though you may decode from digital DTS, Dolby Digital, or Pro Logic to watch a Movie utilizing the 6 or more speakers in your theater, you must connect, in parallel, the mixed two channel analog feed from the same source to record it.*

The SOURCE being played in the Main area appears at the three Record Outputs. All Audio/Video SOURCES and all Audio SOURCES appear at all Record outputs, except PLAY.

There is one Toslink digital audio output. It does not matter which style of Digital input is selected. The data available is the same data as input to the currently accessed digital audio Source. This data can be delivered to and recorded by a digital VCR. Since there is only one Digital output, if you wish to send the data to a recorder and another processor, use the Digital output of the recorder to send the signal to the second processor.

6.1 RECORDING AUDIO/VIDEO, ANALOG:

Setup for recording Audio and Video to a non-digital VCR is described below. The PLAY input and REC record are a tape loop, so you cannot record anything fed to PLAY, except at the two channel only record output. *When the primary source is digital you must be sure you connect the analog output from the digital source to the same SOURCE the digital audio is assigned to.*

- 6.1.1 **DVD ⇒ SSP.** Use a two channel analog audio cable to connect the analog output (mixed two channel) of the DVD player or Satellite receiver, etc, that you wish to record, to the analog input of the SOURCE the digital input is assigned. This must not be VIDEO 6.
- 6.1.2 **DVD ⇒ SSP.** Use an S-Video or Composite Video cable to connect the video out of the DVD player or Satellite receiver, etc. , that you wish to record, to the same SOURCE the digital input is assigned to, and to which the analog audio is connected. (S-Video will convert to Composite, but not vice-versa). Do not connect to VIDEO 6.
NOTE: Component Video does not convert to either of the other formats, so you must connect S-Video or Composite Video. Though your best viewing may be Component Video, you cannot record it through the SSP-30 MKII.
- 6.1.3 **VCR ⇒ SSP.** Use a two channel analog audio cable to connect the analog output from your recording component to the VIDEO 6 analog Inputs.
- 6.1.4 **SSP ⇒ VCR.** Use a two channel analog audio cable to connect the VIDEO 6 Record Output connectors of the SSP-30 MKII to the audio input connectors of the recording component.
- 6.1.5 **VCR ⇒ SSP.** Use an S-Video or Composite Video cable to connect the video out of your recording component to the VIDEO 6 S-Video or Composite video input
- 6.1.6 **SSP ⇒ VCR.** Use an S-Video or Composite Video cable to connect the VIDEO 6 S-Video or Composite Video output of the SSP-30 MKII to the S-Video or Composite video input of the recording component.
- 6.1.6.1 Follow the usual recording component instructions for recording. The record output at REC, REC1, REC2, always follows the input on VIDEO 1 through VIDEO 5.

6.2 RECORDING ANALOG AUDIO ONLY

Setup for recording Audio to a non-digital two channel tape machine is described below. *When the primary source is digital, you must be sure you connect the analog output from the digital source to the same SOURCE the digital audio is assigned to.*

- 6.2.1 **SSP ⇒ TAPE.** Use a two channel analog audio cable to connect the analog RECORD OUT of the SSP-30 MKII to the record input of the Tape Machine or other analog recording component.
- 6.2.2 **TAPE ⇒ SSP.** Use a two channel analog audio cable to connect the analog output from your Tape Machine to any analog audio only Input. (AUDIO 1 through AUDIO 5, unless you want to use the balanced input of AUDIO 6)
- 6.2.2.1 Follow the usual recording component instructions for recording.

6.3 RECORDING DIGITAL AUDIO/VIDEO

Setup for recording a digital audio signal plus Video to a digital Audio/Video recording device is described below.

There is one digital audio output. The information available is the same data as input to the currently accessed digital audio input. If you are watching a Movie from a DVD player and wish to record it for future viewing you can use a digital VCR or other digital recording component.

- 6.3.1 **SSP ⇒ D-VCR.** Use a digital TOSlink cable to connect the output from the SSP-30 MKII's digital Output to the digital input of the digital recording component.
- 6.3.2 **SSP ⇒ D-VCR** Use an S-Video or Composite Video cable to connect the REC S-Video or Composite Video output of the SSP-30 MKII to the S-Video or Composite video input of the recording component.

OR:

- 6.3.3 **SSP ⇒ D-VCR** Use an S-Video or Composite Video cable to connect the free S-Video or Composite Video Monitor output of the SSP-30 MKII to the S-Video or Composite video input of the recording component. This is a useful workaround if you are using the REC video output to feed an analog VCR.
- 6.3.4 **D-VCR ⇒ SSP.** Use a digital Coaxial or TOSlink cable to connect the digital output of the of the digital recording component to any available digital inputs (COAX 1 through COAX 4, or TOSlink 1 or TOSlink 2 or AES/EBU).
- 6.3.5 **D-VCR ⇒ SSP.** Use an S-Video or Composite Video cable to connect the video out of the DVD player or Satellite receiver, etc. , that you wish to record, to the same SOURCE the digital input is assigned to, and to which the analog audio is connected. (S-Video will convert to Composite, but not vice-versa). Do not connect to REC.
- 6.3.5.1 Follow the usual recording component instructions for recording. The digital output of the SSP-30 MKII's DIGITAL OUT always follows the input on the SOURCES AV 1 through AUDIO 4.

6.4 RECORDING DIGITAL AUDIO ONLY

- 6.4.1 **SSP ⇒ D-VCR.** Use a Toslink cable to connect the output of the SSP-30 MKII's digital output to the digital input of the digital recording component. (If you are using one digital output for a Digital VCR you may use the other for the Digital Tape Machine).
- 6.4.2 **D-VCR ⇒ SSP.** Use a digital Coaxial or Toslink cable to connect the digital output of the of the digital recording component to any available digital inputs (COAX 1 through COAX 4, or Toslink 1 or Toslink 2 or AES/EBU).

Section 7.0 - REMOTE ZONE USE

One of the strengths of the SSP-30 MKII is its ability to send a separate program to a remote Zone. It can send a composite picture (from a composite input) and an analog two channel audio signal to another room or a whole house if you wish. You can send the same movie or program you are watching or an audio program or music from another source if you wish. Though the REC outs only send the same signal (analog only) as the Main area is watching and/or listening to, the Zone output can be from any analog audio and any attached composite video Source except 7.1.

You must use the remote control to access the remote Zone. Press the Zone button on the control. The panel of the SSP-30 MKII, but not the TV, will display the following information shown in the TV display.

Stereo	Zone B off	M.Z: -20
--------	------------	----------

Panel display

Zone: VID1	Z.v: -20
Stereo	

Panel display

To enable the 'Zone B', press 'Standby', the display (see the panel display above) shows you are currently sending the VID1 signal to the Remote Zone, and the volume is set at -20 dB. The display will be present for only a few seconds, unless you press the Zone button again or one of the arrow keys situated around the **ENTER** key. Pressing the **^** or the **v** key increases or reduces the audio volume level of the remote Zone.

If you wish to change the Source which is going to the remote Zone, immediately press the Zone button again. Press the **<** or **>** keys to scroll through the ten analog (and six composite video) Sources.

Because you can use a different source from the one in the main area it is possible to utilize the Zone as a record out. You would need to do a certain amount of experimenting to insure you were not sending too hot an audio signal to the recording device, and the quality of the video might be compromised slightly by the limitation of only having a composite video out. Though the Zone out is really designed to add the ability to feed other rooms with different program material, it is possible to come up with other uses for it.

APPENDIX A RC5 CODES FOR CLASSÉ SURROUND PROCESSORS AND CD/DVD-1

Below are the codes for programming programmable remote controls. Sequence of codes must include all of the information, including defining the code as RC5.

For example: RC5 System 25 Code 13 = Mute any of the Classé Surround Processors.

CODE	SSP30 (SYS 25)	CD/DVD-1 (SYS 12)	SSP25 (SYS 25)	SSP75 (SYS 25)
0		0		
1		1		
2		2		
3		3		
4		4		
5		5		
6		6		
7		7		
8		8		AUTO. CAL
9		9		
10	POWER OFF		POWER OFF	POWER OFF
11	POWER ON		POWER ON	POWER ON
12	STANDBY	STANDBY	STANDBY	STANDBY
13	MUTE (Toggle On/Off)	MUTE (System 25)	MUTE (Toggle On/Off)	MUTE (Toggle On/Off)
14				SLEEP
15	DISPLAY	OSD – STATUS	DISPLAY	DISPLAY
16	VOLUME UP	VOLUME UP (System 25)	VOLUME UP	VOLUME UP
17	VOLUME DOWN	VOLUME DOWN (System25)	VOLUME DOWN	VOLUME DOWN
18				AUD5
19				AUD6
20	AUD1		AUD1	AUD1
21	AUD2		AUD2	AUD2
22	AUD3		AUD3	AUD3
23	AUD4		AUD4	AUD4
24	Ext7.1			
26	TAPE Toggle			
27	MUTE ON			
28	MUTE OFF			
29	TAPE ON	REPEAT		
30	TAPE OFF			
31		Title/Chapter		
32	MODE	OK	MODE UP	MODE UP
33	MENU (SETUP)	MENU	MENU	MENU (SETUP)
34	ARROW UP	ARROW UP	ARROW UP	ARROW UP
35	ARROW LEFT	ARROW LT	ARROW LEFT	ARROW LEFT
36	ARROW RIGHT	ARROW RT	ARROW RIGHT	ARROW RIGHT
37	ARROW DOWN	ARROW DOWN	ARROW DOWN	ARROW DOWN
38	ENTER	RETURN	ENTER	ENTER
39	EXIT		VIDEO LEFT	
40			VIDEO RIGHT	
41	SOURCE DOWN	SETUP	AUDIO LEFT	AUDIO DOWN
42	SOURCE UP		AUDIO RIGHT	AUDIO UP

APPENDIX A
Continued

RC5 Codes for Classé Surround Processors and CD/DVD-1

CODE	SSP30 (SYS25)	CD/DVD-1 (SYS 12)	SSP25 (SYS25)	SSP75 (SYS25)
43		SCAN	MASTER	
44		ANGLE	LEFT	
45		SUBTITLE	RIGHT	
46		AUDIO	LEFT-SURR	
47			RIGHT-SURR	
48	AV1	PAUSE	AV1	AV1
49	AV2		AV2	AV2
50	AV3	PREVIOUS	AV3	AV3
51	AV4		AV4	AV4
52	AV5	NEXT	AV5	AV5
53	AV6	PLAY	AV6	AV6
54	TRIM (S)	STOP		
55	ZONE	SLOW		ZONE
56	CAL		MODE DOWN	MODE DOWN
57			THX	THX
58			SUB	
59	COMPR ON		CENTER	
60	COMPR OFF		AUTO	
61	COMPR (DYN) (Toggle On/Off)		COMPR (Toggle On/Off)	COMPR (DYN) (Toggle On/Off)
62	TRIM (L)		TRIM	TRIM
63	STATUS			STATUS

Below are the available modes (Subject to change) and the active speakers in use. The subwoofer is not included in the table since it is active if selected in the speaker setup and if any of the active speakers are set as “small”.

MODE	Signal Type	Processing	Output from Speakers
Direct	Dolby Digital 5.1	None	L, R, C, LS, RS
	Dolby Digital 2/0	Not applicable	Not applicable
	DTS-ES Discrete	None	L, R, C, LS, RS, LB, RB
	DTS-ES Matrix	None	L, R, C, LS, RS
	DTS 3/2	None	L, R, C, LS, RS
	PCM	Not applicable	Not applicable
	Analog	Not applicable	Not applicable
Stereo	Dolby Digital 5.1	Stereo downmix	L, R
	Dolby Digital 2/0	None	L, R
	DTS-ES Discrete	Stereo downmix	L, R
	DTS-ES Matrix	Stereo downmix	L, R
	DTS 3/2	Stereo downmix	L, R
	PCM	None	L, R
	Analog	None	L, R
Stereo 96	Dolby Digital 5.1	Not applicable	Not applicable
	Dolby Digital 2/0	Not applicable	Not applicable
	DTS-ES Discrete	Not applicable	Not applicable
	DTS-ES Matrix	Not applicable	Not applicable
	DTS 3/2	Not applicable	Not applicable
	PCM	Not applicable	Not applicable
	Analog	A/D 24/96	L,R
Mono	Dolby Digital 5.1	Mono Downmix	C
	Dolby Digital 2/0	Mono Downmix	C
	DTS-ES Discrete	Mono Downmix	C
	DTS-ES Matrix	Mono Downmix	C
	DTS 3/2	Mono Downmix	C
	PCM	Mono Downmix	C
	Analog	Mono Downmix	C
Pro Logic Pro logic II Movie Pro Logic II Music	Dolby Digital 5.1	Not applicable	Not applicable
	Dolby Digital 2/0	Dolby Pro Logic II	L, R, C, LS, RS
	DTS-ES Discrete	Not applicable	Not applicable
	DTS-ES Matrix	Not applicable	Not applicable
	DTS 3/2	Not applicable	Not applicable
	PCM	Dolby Pro Logic II	L, R, C, LS, RS
	Analog	Dolby Pro Logic II	L, R, C, LS, RS
Music Modes: (Natural, Party) Subject to change	Dolby Digital 5.1	Not applicable	Not applicable
	Dolby Digital 2/0	Music Mode	L, R, C, LS, RS
	DTS-ES Discrete	Not applicable	Not applicable
	DTS-ES Matrix	Not applicable	Not applicable
	DTS 3/2	Not applicable	Not applicable
	PCM	Music Mode	L, R, C, LS, RS
	Analog	Music Mode	L, R, C, LS, RS

APPENDIX B Mode Chart continued

MODE	Signal Type	Processing	Output from Speakers
Surround 6.1	Dolby Digital 5.1	Surround 6.1	L, R, C, LS, RS, LB, RB
	Dolby Digital 2/0	Not applicable	Not applicable
	DTS-ES Discrete	Not applicable	Not applicable
	DTS-ES Matrix	Surround 6.1	L, R, C, LS, RS, LB, RB
	DTS 3/2	Surround 6.1	L, R, C, LS, RS, LB, RB
	PCM	Not applicable	Not applicable
	Analog	Not applicable	Not applicable
Dolby Digital EX	Dolby Digital 5.1	Dolby Digital EX	L, R, C, LS, RS, LB, RB
	Dolby Digital 2/0	Not applicable	Not applicable
	DTS-ES Discrete	Not applicable	Not applicable
	DTS-ES Matrix	Dolby Digital EX	L, R, C, LS, RS, LB, RB
	DTS 3/2	Dolby Digital EX	L, R, C, LS, RS, LB, RB
	PCM	Not applicable	Not applicable
	Analog	Not applicable	Not applicable
DTS-ES Matrix	Dolby Digital 5.1	DTS-ES Matrix	L, R, C, LS, RS, LB, RB
	Dolby Digital 2/0	Not applicable	Not applicable
	DTS-ES Discrete	Not applicable	Not applicable
	DTS-ES Matrix	DTS-ES Matrix	L, R, C, LS, RS, LB, RB
	DTS 3/2	Not applicable	Not applicable
	PCM	Not applicable	Not applicable
	Analog	Not applicable	Not applicable
DTS Neo:6	Dolby Digital 5.1	Not applicable	Not applicable
	Dolby Digital 2/0	DTS Neo:6	L, R, C, LS, RS, LB, RB
	DTS-ES Discrete	Not applicable	Not applicable
	DTS-ES Matrix	Not applicable	Not applicable
	DTS 3/2	DTS Neo:6	L, R, C, LS, RS, LB, RB
	PCM	DTS Neo:6	L, R, C, LS, RS, LB, RB
	Analog	DTS Neo:6	L, R, C, LS, RS, LB, RB

**Classé Audio, Inc.
5070 François Cusson
Lachine, Quebec
Canada H8T 1B3**

**(514) 636-6384
(514) 636-1428 (FAX)
email: cservice@classeaudio.com**

Copyright © 2002 by Classé Audio, Inc. All rights reserved.
Printed in Canada.

Free Manuals Download Website

<http://myh66.com>

<http://usermanuals.us>

<http://www.somanuals.com>

<http://www.4manuals.cc>

<http://www.manual-lib.com>

<http://www.404manual.com>

<http://www.luxmanual.com>

<http://aubethermostatmanual.com>

Golf course search by state

<http://golfingnear.com>

Email search by domain

<http://emailbydomain.com>

Auto manuals search

<http://auto.somanuals.com>

TV manuals search

<http://tv.somanuals.com>