

# **CLASSEN**<sup>®</sup>

## **SA-25**

### **“STAND-AER™”**

## **STAND ON AERATOR**

**(S.N. 173 and Up)**



# **Operator's Manual and Parts List**

A Division of Schiller-Pfeiffer, Inc.  
[www.classen-mfg.com](http://www.classen-mfg.com)

1028 Street Road • Southampton, PA 18966  
Toll Free: 1-877-596-6337 • Fax: 1-215-357-8045

# TABLE OF CONTENTS

SAFETY INSTRUCTION MANUAL .....	2
INTRODUCTION .....	2
GENERAL SAFETY INSTRUCTIONS .....	2
OWNER/USER NOTICE .....	2
USER EXPERIENCE AND QUALIFICATIONS .....	2
USER CLOTHING .....	3
INSPECT AERATOR BEFORE EACH USE .....	3
SCHEDULED AERATOR MAINTENANCE .....	3
WORK AREA CONDITIONS AND INSPECTION .....	3
INITIAL OPERATING AND INSPECTION .....	3
OPERATING ON SLOPES .....	4
REPLACEMENT PARTS .....	4
OPERATION IN REVERSE .....	4
OPERATION IN FORWARD DIRECTION .....	4
OPERATING DURING ZERO-RADIUS TURNS .....	4
FUEL SAFETY .....	4
HYDRAULIC SAFETY .....	4
PRE-DELIVERY SERVICE OF AERATOR .....	4
OPERATING INSTRUCTIONS .....	5
INSPECT AERATOR BEFORE EACH USE .....	5
HOW TO START AERATOR .....	5
UNUSUAL NOISES OR IRREGULAR OPERATION .....	5
HOW TO DRIVE AERATOR .....	5
SERVICE AND ADJUSTMENT .....	5
TIRE MAINTENANCE .....	5
BLEEDING AIR FROM THE HYDRAULIC SYSTEM .....	5
DECALS .....	5
MAIN FRAME ASSEMBLY .....	6
MAIN FRAME PARTS LIST .....	7
POWER TRAIN ASSEMBLY .....	8
POWER TRAIN PARTS LIST .....	9
HANDLE AND CONTROL ASSEMBLY .....	10
HANDLE AND CONTROL PARTS LIST .....	11
TINE FRAME ASSEMBLY .....	12
HOSES AND ADAPTERS DESCRIPTION .....	13
HYDRAULIC HOSES DESCRIPTION .....	14
TWO YEAR LIMITED WARRANTY .....	16

# SAFETY INSTRUCTION MANUAL

## Introduction

This aerator is built to the highest standards in the industry. However, carelessness or operator error may result in serious injury or death. Accident and hazard prevention are dependent upon the awareness, concern, wisdom, and proper training of the personnel involved in the operation, transport, maintenance, and storage of the equipment. Make sure every operator is properly trained and thoroughly familiar with all of the information in this manual before operating the equipment.

## General Safety Instructions

The Classen STAND-AER™ is designed with your safety in mind. It has the following safety systems that you should be familiar with:

- The warning decals on the aerator.
- You must be standing on the foot platform while the engine is running before the machine will move.
- If you get off of the foot platform while the engine is running, the machine will become idle.
- Letting go of the control arms will stop the wheels instantly.
- Belt and chain guards must be in place.
- Rear wheels are provided to minimize the possibility of tipping back and over on the operator. These should be in the downward positions at all times for the exception of loading unit into a vehicle or trailer. (Loading should always be in reverse).

## Owner/User Notice

The owner's/user obligation is to instruct themselves and all potential users in the safe operation of the equipment and be sure they read and follow the instructions in this manual and other material provided by Classen MFG., Inc. before using or allowing others to operate the equipment. Do not use this unit unless you carefully read, understand and follow the assembly, installation, and safety instructions contained in the manual and the warning decals provided on the unit. Do not let other person's use this unit unless you make sure they carefully read, understand and follow these instructions. Never allow children to operate or play on the unit.

## User Experience & Qualifications

This product is designed for use by physically fit and experienced persons. DO NOT allow children to operate this unit. Do not allow adults to operate the aerator without the proper instruction mentioned above. Never allow passengers on the aerator.

## **User Clothing**

DO NOT operate the aerator while wearing sandals, tennis shoes, or shorts. Always wear long non-baggy pants. Wear high-top leather work boots with thick, textured tread at all times. Hard or smooth soled shoes are too slippery for a good footing on aerator platform. NEVER wear loose fitting clothing which could get caught in the moving parts. Wearing safety glasses, ear protection and safety shoes is advisable.

## **Inspect Aerator Before Each Use**

DO NOT use the aerator if any parts are not maintained in good operating condition. Examine the moving parts prior to each use. Look for excessive wear, bald or worn tires, cracks in parts, loose or missing bolts, cotter, lynch, or hair pins and replace before operating the aerator. Make sure all safety equipment provided with the aerator is in good operating order, including all the warning decals. Inspect the rear wheels and their respective bolts for tightness and proper operation. Ensure that all parts of the hand-operated transmission control system are tight and secure. This is to reduce the possibility that the aerator could have a loss of control or safety.

## **Scheduled Aerator Maintenance**

Replace worn rear drive tires with less than 3/32" of any tread groove left. Grease all fittings (12 total) daily. Each grease fitting should be filled until full.

- 4 fitting on the swing arm.
- 1 fitting on each of the front wheels.
- 1 fitting on the left and right control handles.
- 1 fitting on each tine disc hub.
- 1 fitting on each female rod end.

Check roller chains for wear. Apply a light coat of No. 30 oil or penetrating chain lubricant to keep the chains in proper running order.

Check roller chain(s) for tightness. Follow these steps:

### **Model SA-25**

1. Disconnect spark plug.
2. Take off pulley guard(s).
3. Loosen nuts by turning counter clockwise
4. Retighten nut by turning clockwise against lock washer.
5. Replace pulley guard, nuts and lock washers and retighten nuts.

DO NOT change the engine governor settings or over-rev the engine contrary to engine manufacturer specifications. Keep the Classen aerator in good operating condition, and keep safety devices and shields in place and in working condition. Keep all nuts and bolts tight to be sure the equipment is in safe working condition. Replace worn tines. Make sure the engine is turned off when doing ANY maintenance on unit. The aerator should not be used after the tine strikes a foreign object, until conducting a thorough inspection and any damage is repaired. When changing tines, pull out and remove the 3/8" snap lock pin (located in the upper-center of the foot platform

mount), and raise platform. Once platform is raised and secured in the up position, you have access to the tines. When you are done maintaining the tines, lower the platform, and re-secure the 3/8" snap lock pin.

## **Work Area Conditions and Inspection**

Prior to operating the unit carefully inspect all lawn/ground areas where you plan to use the aerator for hidden, hard-to-see objects or uneven ground that may be hidden in the grass. Clear the work area of moveable objects such as wire, rocks, sprinkler heads, glass, etc. that might damage the aerator or be thrown. Remove, if possible, or mark the location of all immovable objects or irregular areas and be sure not to hit them with any part of the aerator. Obstacles such as holes, abrupt changes in the ground contour, tree trunks, stumps or roots, stub pipes protruding from the ground, paving edges, etc. in the path of operation can abruptly turn or stop the aerator. This could throw you off the aerator or into and possibly over the control handle causing serious injury or death. The faster you are moving the more potential there is for injury. Aerate only in daylight or in good artificial light. Keep away from drop-offs, the edges of ponds, streams, pools, etc. especially at the bottom of slopes. Do not aerate when children or others are around. Never operate the aerator in an enclosed area without good, approved ventilation. Exhaust fumes are dangerous.

## **Initial Operating Safety Guidelines**

- Read and understand the warning decals on the unit.
- Keep a firm hold on the stationary handle at all times.
- Keep both feet on foot platform at all times.
- Know the controls and how to stop quickly.
- Before attempting to start engine, follow all starting instructions.
- Look behind before backing up.
- Before leaving the operator's position for any momentary reasons, make sure the tines are up. Keep others from coming near the aerator. Get back on the aerator as soon as possible.
- When transporting, driving onto transport vehicles, into buildings, across parking lots or otherwise not aerating, lift tines up.
- When driving the machine onto a trailer, or transport vehicle, always back the machine onto the unit, for fear of tipping backwards.
- Before performing any maintenance, or repair service always turn engine off.
- DO NOT allow inexperienced people to operate the aerator until they have read and understood these safety instructions. Operate the aerator at slower speeds while becoming familiar with it.
- Speeding is dangerous for even an experienced operator. Sudden stops from excessive speed may cause serious injury.

- Keep all shields and covers in place.
- Keep hands, feet, and clothing away from moving parts.
- Do not touch engine or muffler while engine is running or soon after it is stopped. These areas can be so hot as to cause severe burns.
- Be alert for traffic when crossing roads or operating near roadways.
- Before crossing gravel drives, sidewalks or roads, lift tines out of the ground.

### **Operation on Slopes**

DO NOT operate on steep slopes. Do not operate aerator on slopes steeper than you can feel secure about the ability of the aerator. Do not operate the aerator at all when the grass is wet. There is a danger of suddenly sliding sideways or down the hill. When operating on a slope, travel across the grade whenever possible, not an up or down pattern. Reduce speed and exercise extreme caution on slopes and in sharp turns to prevent tipping or loss of control. Be especially cautious when changing direction on slopes.

### **Replacement Parts**

Use of parts other than specified parts supplied by Classen MFG., Inc., may compromise the safe use of the aerator and is not recommended.

### **Operation in Reverse**

Always keep a firm grip on the aerator handles with both hands. Keep both feet firmly on the foot platform. Always lift the tines out of the ground when reversing. Never aerate in reverse. Operate the aerator very slowly, inching it backwards until you become familiar with how the aerator operates and always in an awkward location or position. Never place your foot or feet on the ground near the back edge of the aerator while backing up to prevent serious injury to feet or legs if aerator were to run over you. Look behind you before backing to prevent injuring yourself or anyone behind you.

### **Operation in Forward Direction**

Always keep a firm grip on the aerator handles with both hands. Operate the aerator slowly until you become familiar with how the aerator handles. Do not operate the aerator faster than conditions allow. For example hills, wet or bumpy ground or dim light would all be conditions where you should work slower than normal. Never operate the aerator at the highest speed unless you are on a level, wide open area of clearly visible ground or transporting on paved areas. Speeding with the aerator is dangerous, and so is traveling faster than the conditions should permit on this aerator. Sudden stops from excessive speed or falling off the aerator may cause serious injury or death.

### **Operating During Zero-Radius Turns**

During zero-radius turns (when one aerator wheel rotates backwards while the other is moving forward) drive extra slowly to reduce the possibility of losing traction or control.

### **Fuel Safety**

Handle gasoline with care – it is highly flammable. Do not smoke while handling gasoline. Use an approved gasoline container. Never remove the fuel cap or add gasoline to a running or hot engine or an engine that has not been allowed to cool for several minutes after running. Never fill the tank indoors and always clean up spilled gas. NEVER store the equipment with gasoline in the tank inside a building where fumes may reach an open flame or spark. Allow the engine to cool before storing in any enclosure.

### **Hydraulic Safety**

Keep body and hands away from pin holes or fittings that eject hydraulic fluid under high pressure. Use paper or cardboard and not hands to search leaks. Make sure all hydraulic fluid connections are tight and all hydraulic hoses and lines are in good condition before starting the Classen aerator.

## **PRE-DELIVERY SERVICE**

### **Pre-Delivery Service of Aerator**

The Classen STAND-AER™ is shipped completely assembled and has been adjusted at the factory. However, due to the jostling of the shipping process and the amount of time elapsed since this was done at the factory until you receive the machine the following items need to be repeated again before starting the aerator:

- Remove spark plug wire from spark plug.
- Inspect the aerator for any damage, unusual conditions or missing parts.
- Inspect the aerator for all of its decals, especially the warning decals.
- Check (and fill if necessary) engine oil level according to the engine manufacturing recommendation. Refer to your Honda manual.
- Check (and fill if necessary) hydraulic fluid level. Use 20W-50.
- Lubricate all moving parts. Re-grease after every use.
- Fill fuel tank with regular unleaded gasoline.

# OPERATING INSTRUCTIONS

## Inspect aerator before each use

Do not use aerator if any parts are not maintained in good operating condition. Examine the moving parts prior each use. Look for excessive wear, bald drive tires or worn out front tires, cracks in parts, loose or missing bolts, cotter, lynch, or hair pins and replace before operating the aerator.

## How to Start the Aerator

- Turn the ignition switch to the "On" position.
- Turn the choke on (if engine is cold).
- Pull engine rope until it starts.
- Turn the choke off once it's running smoothly.
- Immediately step onto the foot platform after the engine is running.

## Unusual Noises or Irregular Operation

As you drive the aerator listen for any unusual noises and test for irregular operation and adjust or service as necessary.

## How to Drive the Aerator

You must stand on the aerator foot platform for the aerator to move. Move the throttle speed to the desired speed. Once you are standing on the foot platform, and the engine is set at the desired speed, push both control handles away from you to go forward, and pull them both towards you to go backwards. To turn right pull the right control handle. To turn left pull the left control handle. Let go of both the control handles to bring the machine to idle position.

# SERVICE AND ADJUSTMENT

## Tire Maintenance and Pressure

Excessively worn tire tread is dangerous on all hills. Replace drive tires with less than 3/32" of any tread groove left. Use only tires supplied by Classen. All six tires are foam filled and do not hold air. You will not need to check air pressure.

## How to Bleed Air from the Hydraulic System

When any of the hydraulic parts are disconnected or removed or when the oil is changed, air must be bled from the system. With the bypass valve (brass nut on each of the hydraulic pumps with a hole in the middle) closed, slowly move the control handles in both the forward and reverse directions. As air is purged from the unit, the oil level in the reservoir will drop and bubbles may appear in the fluid. Refill the reservoir as necessary.

Place the control handles in the neutral position and open the bypass valve using a 5/8" wrench. Slowly move the control handles in both the forward and reverse directions to purge the air from the closed circuit.

Close the bypass valve and run the unit in both directions for several minutes, until any remaining air is purged from the

unit. Refill the reservoir as necessary. Check for any fluid leaks, and check the reservoir level. Add fluid if necessary. The transmission is now ready for operation. Check the reservoir daily for proper fluid level. It should be filled to the top, or about 4 quarts.

## Decals

- (3) CLASSEN® decals located on front bumper and on both sides of frame.
- (2) STAND-AER™ decals located on both sides of frame, under CLASSEN® decal.
- (1) DANGER decal located on left side pulley guard.
- (1) ALL GUARDS decal located on right side pulley guard.
- (2) SA-25 decals located on both sides of handle.
- (1) TINE DEPTH decal located on front left of machine.
- (1) R.H. FORWARD/REVERSE decal located on right upper side of handle.
- (1) L.H. FORWARD/REVERSE decal located on left upper side of handle.
- (1) THROTTLE FAST/SLOW decal located on lower right side of handle.
- (1) SERIAL TAG located on lower left inside of handle.
- (1) LUBRICATION TAG twist tied to engine.
- (1) TINES decal located on upper left side of handle.



P/N 100074



P/N 100380

All Guards Must Be In Place While Machine Is In Operation

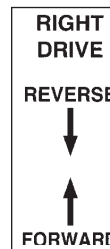
P/N 100096

SA-25

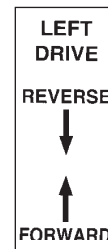
P/N 100350



P/N 100069



P/N 100421



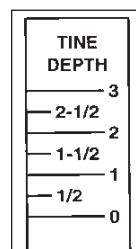
P/N 100422



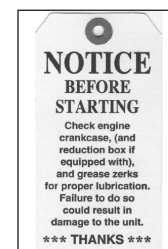
P/N 100423



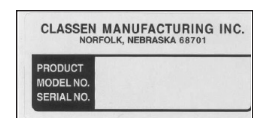
P/N 100424



P/N 100425



P/N 100073



P/N 100055



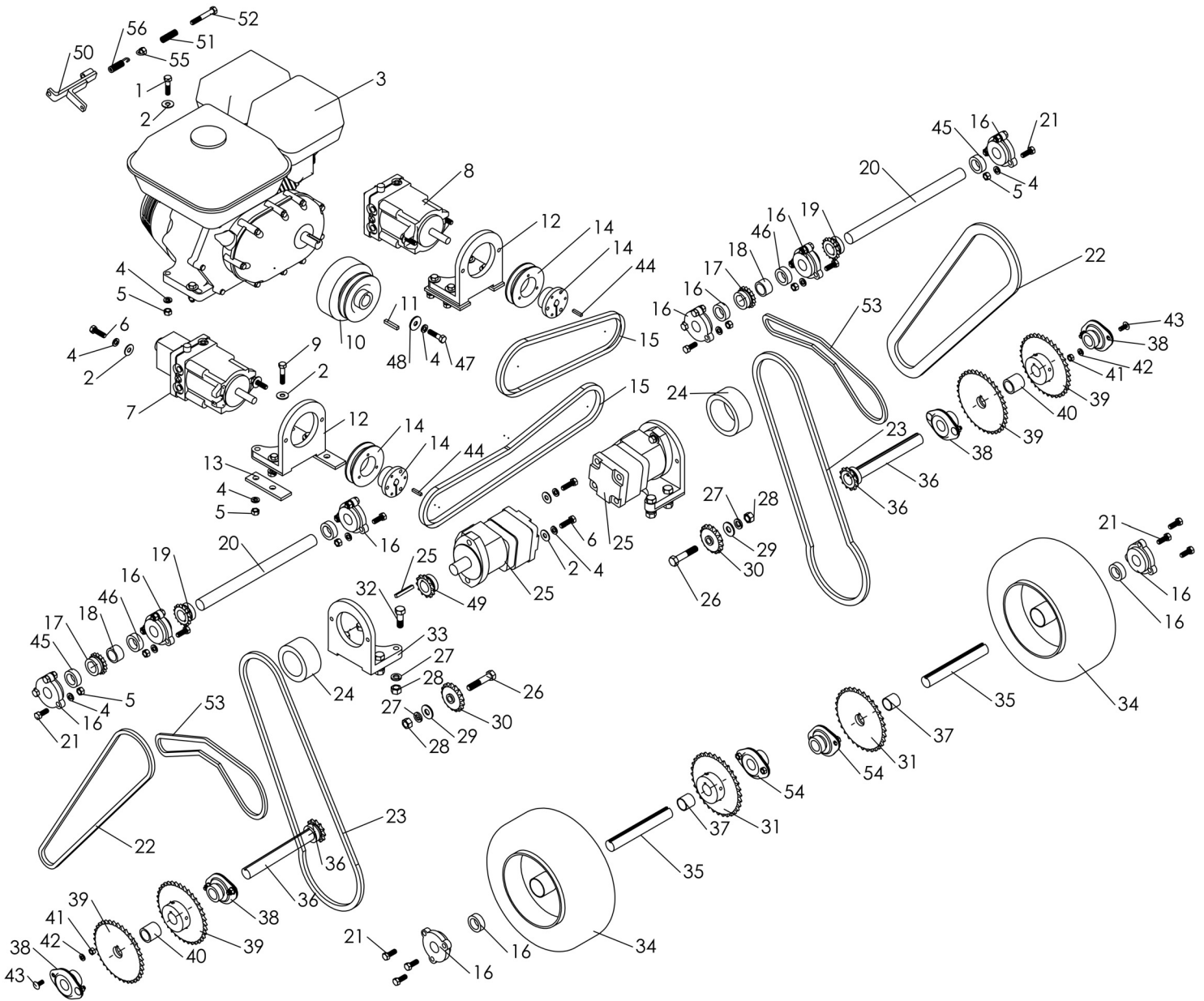


KEY	PART NO.	QTY/PER		DESCRIPTION
		SHEET		
1	100074	3		DECAL, "CLASSEN"
2	500135	4		1/2" x 2-1/2" BOLT
3	300121	1		WEIGHT BAR
4	500006	7		1/2" LOCK WASHER
5	500106	5		1/2" NUT
6	400208	1		SA-25 MAIN FRAME
7	500129	22		3/8" NUT
8	500130	22		3/8" LOCK WASHER
9	500042	10		3/8" FLAT WASHER
10	100010	2		IDLER PULLEY
11	500091	6		3/8" x 2" BOLT
12	500133	7		5/16" x 1" BOLT
13	300119	1		DEPTH GAUGE PLATE
14	500115	6		5/16" LOCK WASHER
15	500101	1		5/16" NUT
16	400203	1		LEFT HANDLE GUARD
17	400216	1		REAR WHEEL LINKAGE ARM
18	400226	2		FRONT WHEEL ASSEMBLY
19	500134	10		3/8" x 1-1/4" BOLT
20	400227	2		FRONT WHEEL PLATE
21	100043	4		IDLER SPROCKET
22	500034	25		1/2" FLAT WASHER
23	100365	1		CYLINDER
24	400214	2		PIVOT FLAT
25	500228	4		1/2" x 1-1/2" BOLT w/HOLE
26	500043	8		3/8" x 1" BOLT
27	500016	13		5/32" x 1-1/4" COTTER PIN
28	400218	1		SWIVEL PLATE
29	100380	2		DECAL, "STAND-AER"
30	500041	8		3/8" LOCK NUT
31	500230	1		1/2" x 2" BOLT w/HOLE
32	500001	6		1/4" x 28 GREASE FITTING
33	400206	1		SWING ARM
34	500146	4		3/8" x 1-1/2" BOLT
35	400213	1		REAR TIRE FRAME
36	100361	4		REAR WHEEL AXLE
37	100017	4		TIRE & WHEEL ASSEMBLY, 9 x 350 x4
38	500152	2		1/2" x 2-3/4" BOLT
39	400217	1		DEPTH GAUGE ROD
40	500025	4		3/8" FINE THREAD NUT

KEY	PART NO.	QTY/PER		DESCRIPTION
		SHEET		
41	500026	4		3/8" CLEVIS YOKE
42	400201	1		CENTER PULLEY GUARD
43	400215	1		LINKAGE ARM HANDLE
44	500149	1		1/2" x 2" BOLT
45	500019	1		SMALL HANDLE SPRING
46	400210	1		THROTTLE PLATE
47	400211	1		PLATFORM
48	500065	4		COMPRESSION SPRING
49	500092	2		HAIR PIN
50	100363	2		3/8" x 3" CLEVIS PIN
51	500079	1		3/8" x 1-3/4" BOLT
52	100360	1		READY ROD
53	100352	1		HANDLE GRIPS, 11" x 1"
54	400212	1		PLATFORM MOUNT
55	100346	2		3/8" SNAP PIN
56	100381	1		3/8" SNAP LOCK PIN, SMALL
57	400220	1		PLATFORM MOUNT ASSEMBLY
58	400202	1		RIGHT HANDLE GUARD
59	100069	1		DECAL, "DANGER"
60	500083	6		5/16" FLAT WASHER
61	100442	1		GOVERNOR CABLE w/CONNECTING ENDS
62	300130	1		SWING ARM MOUNT
63	500232	1		3/8" STUD
64	100096	1		DECAL, "ALL GUARDS"
65	500053	4		5/8" FLAT WASHER
66	300131	4		2" MACHINERY WASHER
67	500182	2		3/16" x 1-1/2" COTTER PIN

# Power Train Assembly

## SA-25 STAND ON AERATOR



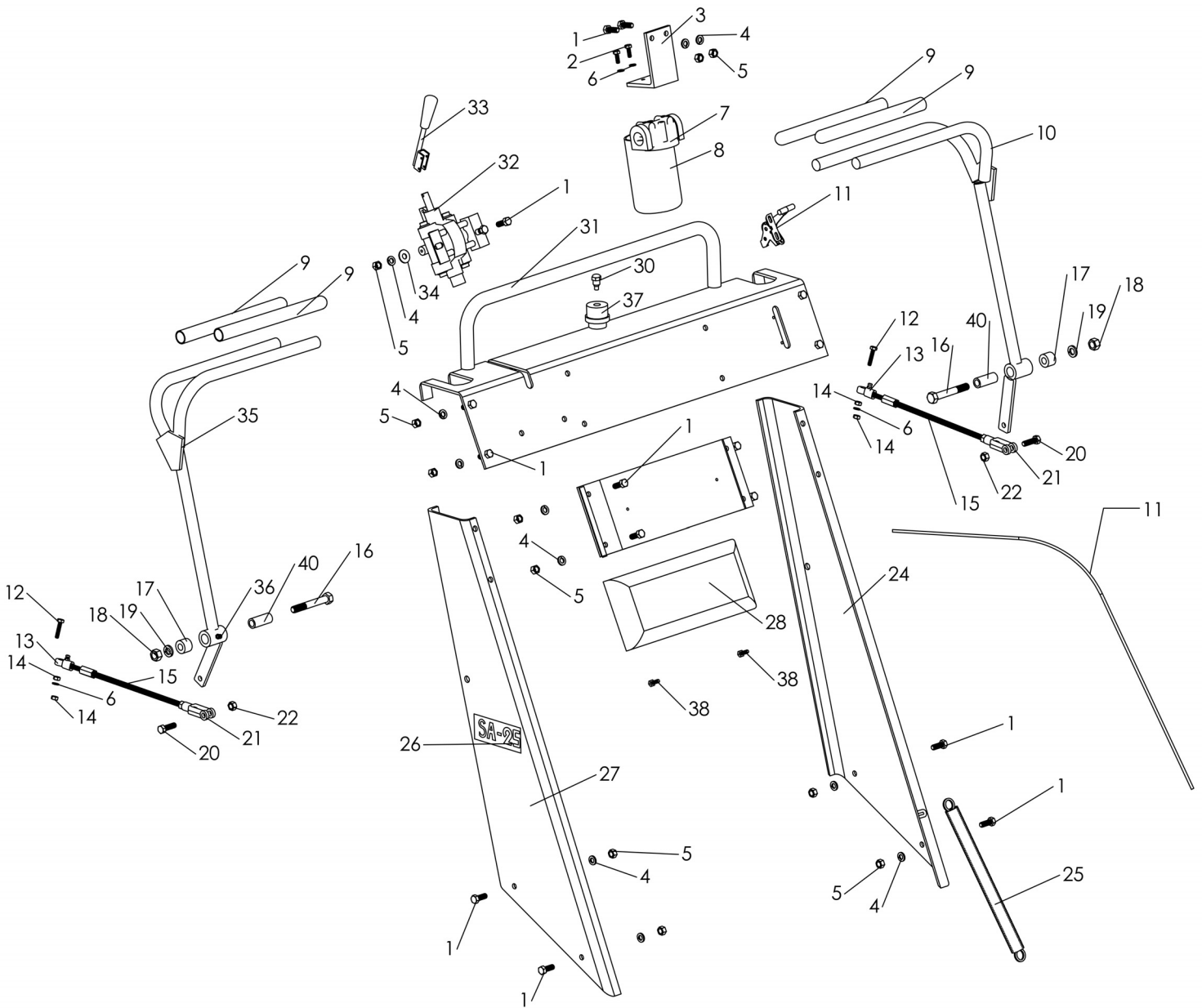


KEY	PART NO.	QTY/PER		DESCRIPTION
		SHEET		
1	500146	4		3/8" x 1-1/2" BOLT
2	500042	20		3/8" FLAT WASHER
3	100377	1		13 HP HONDA ENGINE
4	500130	34		3/8" LOCK WASHER
5	500129	38		3/8" NUT
6	500134	8		3/8" x 1-1/4" BOLT
7	100374	1		LEFT SIDE HYDRAULIC PUMP
8	100373	1		RIGHT SIDE HYDRAULIC PUMP
9	500079	8		3/8" x 1-3/4" BOLT
10	100382	1		CLUTCH
11	500181	1		1/4" x 1-1/2" KEY
12	100378	2		PUMP MOUNT
13	300118	4		PUMP BRACKET SPACER
14	100315	2		1B-34 PULLEY
15	100371	2		6941 V-BELT
16	100155	8		BEARING w/COLLAR, 1" 3-BOLT
17	100386	2		40 B-17 SPROCKET
18	300125	2		3/4" x 1.3125 O.D. SPACER
19	100385	2		40 B-16 SPROCKET
20	200047	2		1" x 13-1/2" SHAFT
21	500043	24		3/8" x 1" BOLT
22	200049	2		CHAIN, 102 ROLLER + 1/2
23	200050	2		CHAIN, 104 ROLLERS
24	200051	2		CHAIN, COUPLER w/CONN LINKS
25	100370	2		HYDRAULIC MOTOR, w/ 1/4" x 1" KEY
26	500135	2		1/2" x 2-1/2" BOLT
27	500006	10		1/2" LOCK WASHER
28	500106	10		1/2" NUT
29	500034	2		1/2" FLAT WASHER
30	100043	2		IDLER SPROCKET
31	100389	2		32 TOOTH SPROCKET
32	500150	8		1/2" x 1-1/2" BOLT
33	100367	2		MOTOR MOUNT
34	100388	2		LARGE REAR WHEEL
35	200048	2		1" x 7" REAR WHEEL SHAFT
36	400222	2		1" SHAFT w/B12 x 1" SPROCKET
37	300127	2		SPACER COLLAR
38	100248	4		BEARING w/COLLAR, 1" 2-BOLT FLANGETTE
39	200009	4		SPROCKET w/1" HUB, #40 X 36
40	300124	2		JACKSHAFT SPACER

KEY	PART NO.	QTY/PER		DESCRIPTION
		SHEET		
41	500101	8		5/16" NUT
42	500115	8		5/16" LOCK WASHER
43	500163	8		5/16" x 3/4" CARRIAGE BOLT
44	500229	2		5 mm KEY
45	300129	2		SPACER
46	100418	2		SPLIT LOCK COLLAR
47	500233	1		3/8" x 1-1/2" FINE BOLT
48	500148	1		3/8" HEAVY WASHER
49	100429	2		50 x 12 SPROCKET
50	400219	1		ENGINE BRACKET
51	100364	1		#12 SPRING
52	100363	1		3/8" x 3" CLEVIS PIN
53	200052	2		CHAIN, 68 ROLLERS
54	100438	2		BEARING w/SET SCREW 1" 2 BOLT FLANGETTE
55	400225	1		3/8" LOCK NUT RING
56	100035	1		THROTTLE CABLE CONNECTING SPRING

# Handle and Control Assembly

## SA-25 STAND ON AERATOR

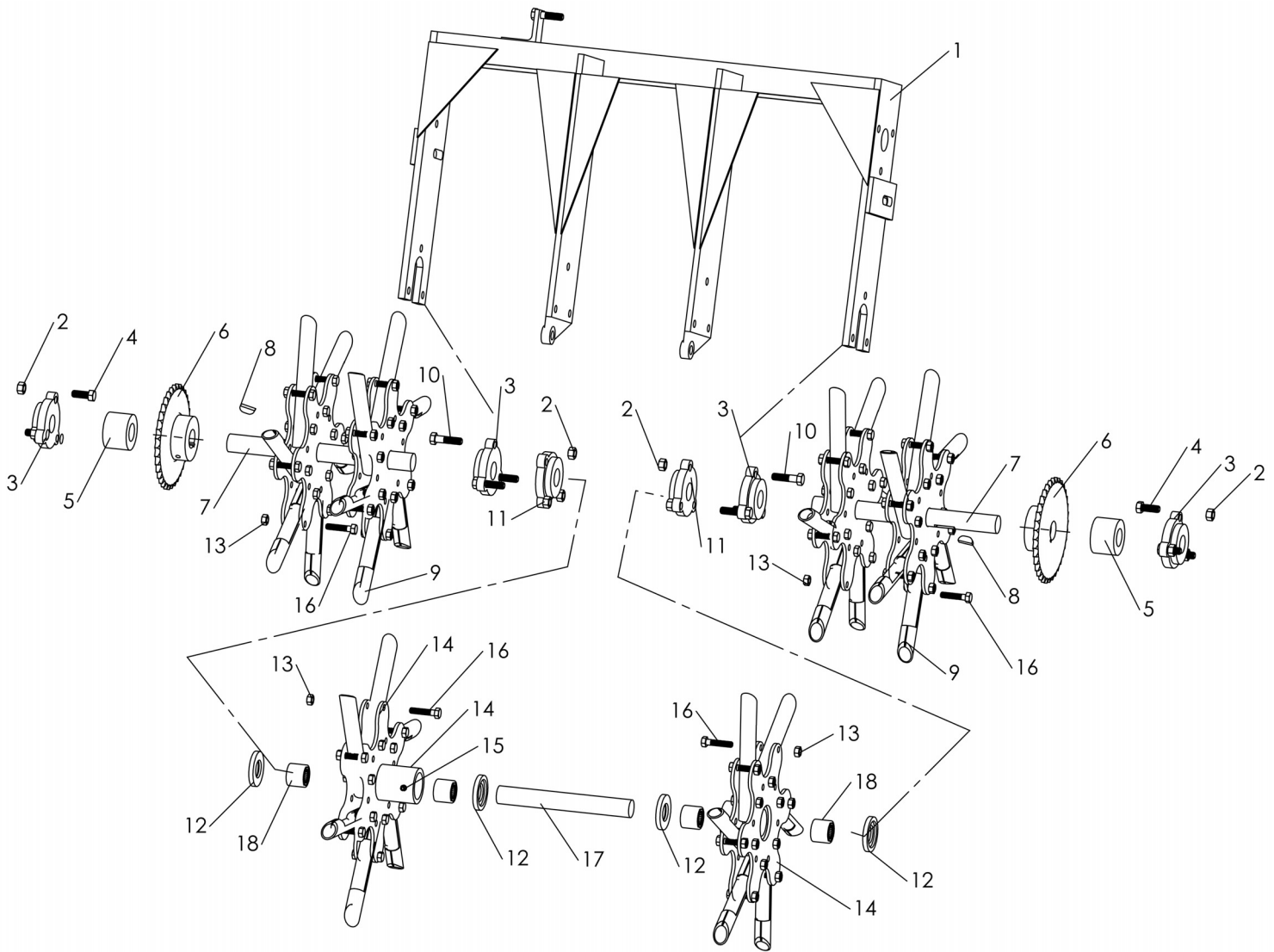


KEY	PART NO.	QTY/PER		DESCRIPTION
		SHEET		
1	500043	16		3/8" x 1" BOLT
2	500029	2		1/4" x 3/4" BOLT
3	300137	2		FILTER MOUNT BRACKET
4	500130	16		3/8" LOCK WASHER
5	500129	16		3/8" NUT
6	500137	4		1/4" LOCK WASHER
7	100480	2		FILTER MOUNT
8	100481	2		OIL FILTER
9	100352	4		HANDLE GRIPS, 11" x 1"
10	400200	1		RIGHT HANDLE CONTROL
11	100368	1		THROTTLE CABLE
12	500073	2		5/16" x 1-1/4" BOLT
13	100354	2		FEMALE ROD END w/ ZERK
14	500101	4		5/16" NUT
15	400207	2		READY ROD, 3/8" x 5/16"
16	500158	2		1/2" x 3-1/2" BOLT
17	300117	2		BUSHING
18	500106	2		1/2" NUT
19	500006	2		1/2" LOCK WASHER
20	500134	2		3/8" x 1-1/4" BOLT
21	500026	2		3/8" CLEVIS YOKE
22	500041	2		3/8" LOCK NUT
23	500025	2		3/8" FINE THREAD NUT
24	400198	1		RIGHT SIDE HANDLE
25	100012	1		SPRING
26	100350	2		SA-25 DECAL
27	400197	1		LEFT SIDE HANDLE
28	100351	1		STOMACH GUARD PAD
29	300114	1		STOMACH GUARD PLATE
30	100353	1		VENT PLUG
31	400196	1		TOP MAIN HANDLE
32	100375	1		CONTROL VALVE
33	100376	1		CONTROL VALVE HANDLE
34	500042	2		3/8" FLAT WASHER
35	400199	1		LEFT HANDLE CONTROL
36	500001	2		1/4" X 28 GREASE FITTING
37	300135	1		CAP, HYDRAULIC
38	500234	2		1/4" x 3/4" LAG BOLT
39	100425	1		DECAL, "TINE DEPTH" (NOT SHOWN)
40	600001	2		STEEL SLEEVE

KEY	PART NO.	QTY/PER		DESCRIPTION
		SHEET		
41	100421	1		DECAL, "RIGHT, FORWARD-REVERSE" (NOT SHOWN)
42	100422	1		DECAL, "LEFT, FORWARD-REVERSE" (NOT SHOWN)
43	100423	1		DECAL, "TINE, UP-DOWN" (NOT SHOWN)
44	100424	1		DECAL, "THROTTLE, FAST-SLOW" (NOT SHOWN)
45	100055	1		DECAL, SERIAL TAG" (NOT SHOWN)
46	100073	1		LUBRICATION TAG (NOT SHOWN)

# Tine Frame Assembly

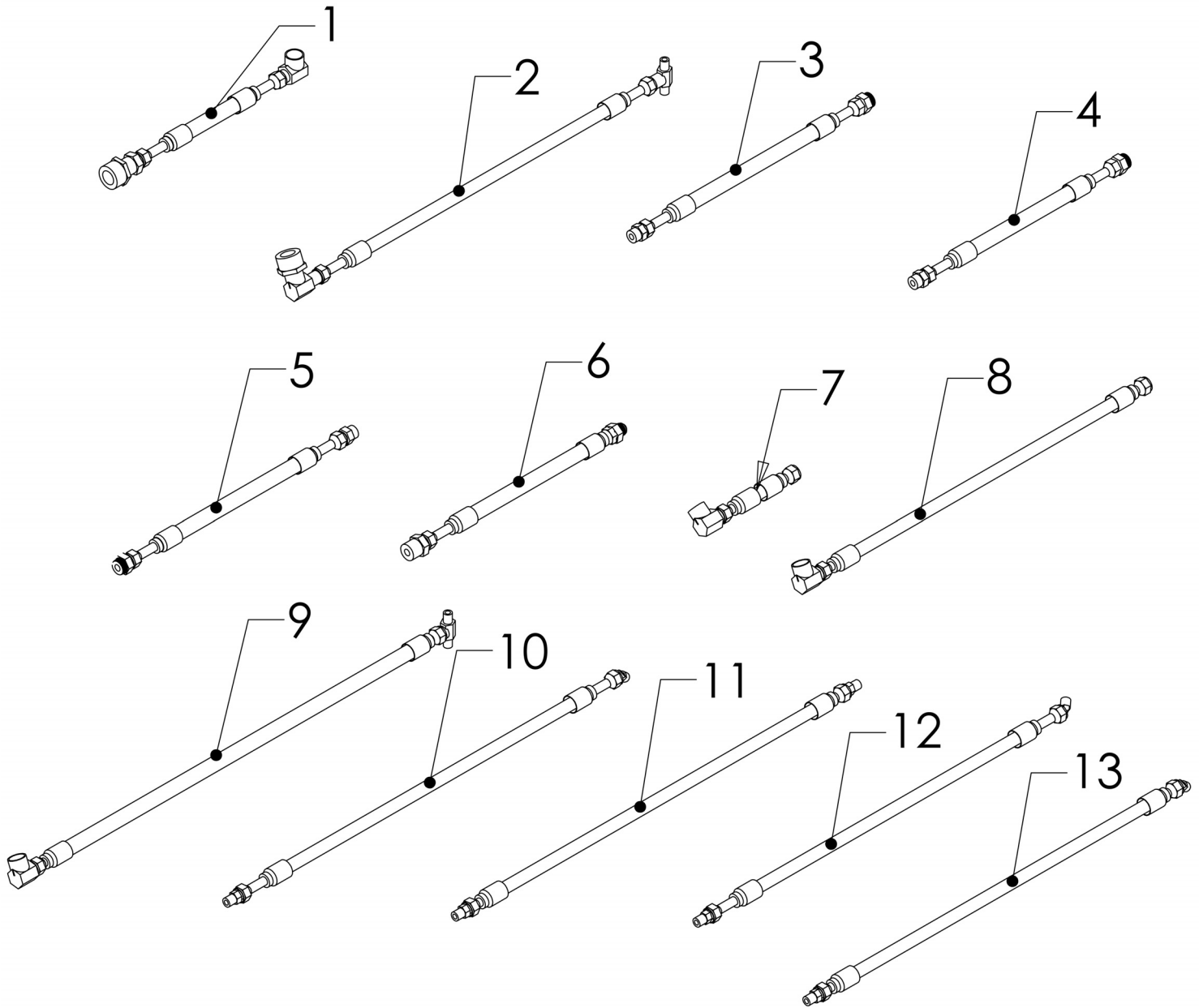
## SA-25 STAND ON AERATOR



KEY	PART NO.	QTY/PER SHEET	DESCRIPTION
1	400204	1	TINE MOUNT FRAME
2	500041	12	3/8" LOCK NUT
3	100155	4	BEARING w/COLLAR, 1"-3 BOLT
4	500043	6	3/8" x 1" BOLT
5	300123	2	TINE SPACER
6	200009	2	SPROCKET w/1" HUB, 40 x 30
7	700031	2	TINE DISC SHAFT ASSEMBLY
8	500003	2	1/4" HALF MOON KEY
9	100032	36	TINE
10	500146	6	3/8" x 1-1/2" BOLT
11	100383	2	BEARING w/SET SCREWS, 1"-3 BOLT
12	100384	4	NYLON WASHER
13	500169	72	5/16" LOCK NUT
14	400221	2	TINE DISC w/HUB WELDED ON
15	500001	2	1/4" X 28 GREASE FITTING
16	500147	72	5/16" X 1-1/2" BOLT
17	200046	1	TINE SHAFT
18	100430	4	MR16RS BEARING

# Hoses and Adapters Description

## SA-25 STAND ON AERATOR

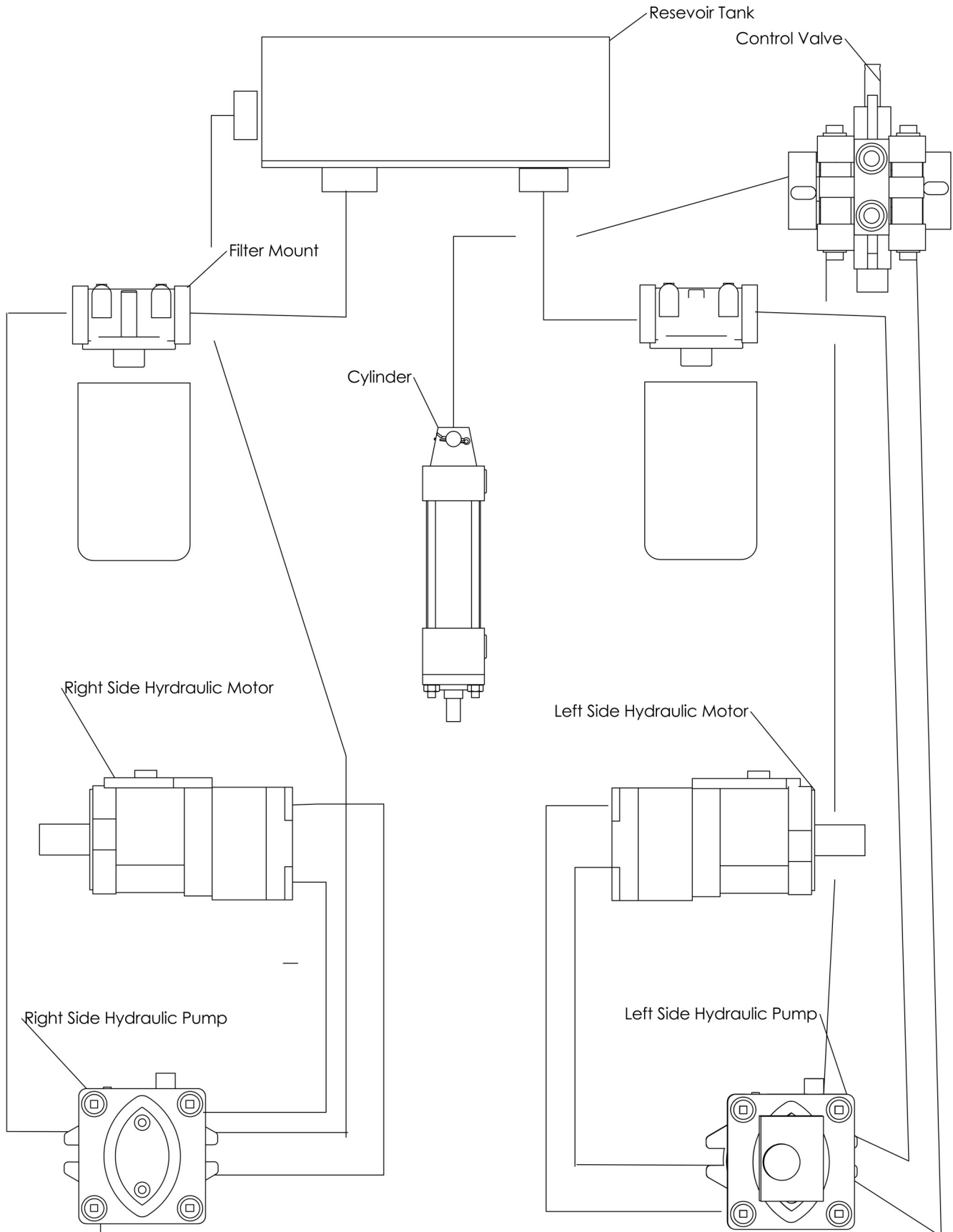


KEY	PART NO.	QTY/PER SHEET	DESCRIPTION
1	600062	2	HOSE #1 (6C2AT x 23) w/1-6MJ-6MB, 2-6G-6FJX, 1-6MJ-6MB90
2	600063	2	HOSE #2 (6C2AT x 7-1/2) w/1-6MB-6MJ, 2-6G-6FJX, 1-6MJ-8MP90, 1-1 x 1/2 BLACK BUSHING
3	600057	1	HOSE #5 (8C2AT x 12) w/1-8MB-8MJ, 1-8G-8FJX, 1-10MB-8MJ, 1-8G-8FJX45
4	600051	1	HOSE #6 (8C2AT x 10) w/1-8MB-8MJ, 2-8G-8FJx45, 1-10MB-8MJ
5	600058	1	HOSE #7 (8C2AT x 12) w/1-8MB-8MJ, 2-8G-8FJX45, 1-10MB-8MJ
6	600052	1	HOSE #8 (8C2AT x 11-1/4) w/1-8MB-8MJ, 1-8G-8FJX, 1-10MB-8MJ, 1-8G-8FJX45
7	600053	1	HOSE #9 (6C2AT x 4-1/4) w/1-6MB-6MJ90, 2-6G-6FJX
8	600059	1	HOSE #10 (6C2AT x 22) w/1-6MB-6MJ90, 2-6G-6FJX
9	600054	1	HOSE #11 (8C2AT x 31) w/1-8MJ-12MP90, 2-8G-8FJX, 1-6MJ-6MJ-8MT TEE
10	600055	1	HOSE #12 (6C2AT x 22-3/4) w/1-6MJ-6MB, 1-6G-6FJx90M, 1-6MJ-4MB45, 1-6B-6FJX45
11	600060	1	HOSE #13 (6C2AT x 24-1/2) w/16MJ-6MB, 1-6MJ-4MB45, 1-6G-6FJX90M, 1-6G-6FJX45
12	600056	1	HOSE #14 (6C2AT x 26-3/4) w/2-6MJ-6MB, 1-6G-6FJX
13	600050	1	HOSE #15 (6C2AT x 25-1/2) w/1-6MJ-6MB, 1-6MJ-6MB45, 2-6G-6FJX



# Hydraulic Hoses Description

## SA-25 STAND ON AERATOR



# See the complete line of Turf Care Products from *CLASSEN*

## COMPACT AERATORS

CA-18H

CA-18B

## SPLIT DRIVE AERATORS

TA-25D

TA-17D

SA-25

## TURF AERATORS

TA-19D

TA-26D

## TOW/3PT AERATORS

48RT

60RT

72RT

## 3 PT AERATORS

48R

60R

72R

84R

## SOD CUTTERS

SC-12

SC-18

SC-20

SC-24

## TURF RAKES

TR-20H

TR-20B

TR-20MH

TR-20MB

TR-20SH

TR-20SB

TRC-20H

TRC-20B

TRS-20H

TRS-20B

## TURF SEEDERS

TS-20H

TS-20B

TSS-20H

TSS-20B

## TRAILERS

AST

SAT

Classen reserves the right to make changes or add improvements to its products at any time without incurring any obligation to make such changes to products manufactured previously. Classen, or its distributors and dealers, accept no responsibility for variations which may be evident in the actual specifications of its products and the statements and descriptions contained in this publication.

# **CLASSEN**<sup>®</sup>

**A Division of Schiller-Pfeiffer, Inc.**  
**www.classen-mfg.com**

**1028 Street Road • Southampton, PA 18966**  
**Toll Free: 1-877-596-6337 • Fax: 1-215-357-8045**

## **TWO YEAR LIMITED WARRANTY**

Effective April 1, 2007

For the period of two years from the date of purchase, CLASSEN MFG., INC. will repair or replace for the original purchaser free of charge, any part or parts found upon the examination of our factory authorized service station, or by the factory in Norfolk, Nebraska, to be defective in material or workmanship. All transportation charges on parts submitted for repair or replacement under this warranty shall be borne by the purchaser.

This warranty does not include engines or engine parts, tires, batteries, or gearboxes that are covered under separate warranties furnished by their manufacturer or supplier, nor does it include normal maintenance parts, including but not limited to, spark plugs, points, filters, blades, and lubricants.

All service under this warranty will be furnished or performed by our factory authorized service stations.

There is no other expressed warranty. Implied warranties, including those of merchantability and fitness for a particular purpose, are limited to two years from the date of purchase and to the extent permitted by law, any and all implied warranties are excluded. The above remedy of repair and replacement of defective parts is the purchaser's exclusive remedy for any defect, malfunction or breach of warranty. Liability for incidental or consequential damages under any and all warranties is excluded to the extent permitted by law.

### **NORMAL RESPONSIBILITIES OF THE SELLER AND THE USER**

1. The Distributor or Dealer is responsible for the proper assembly and preparation of the product for delivery to the end user.
2. The User is responsible for reading the Manual and Instructions.
3. The User is responsible for proper operation and maintenance as described in the manual.
4. The User is responsible for the replacement of wear items such as blades, belts, tires, batteries, etc.
5. The User is responsible for damage due to improper operation and maintenance, as well as abuse.

All claims must be received by the factory 30 days after the end of the warranty period to receive warranty consideration.

## Free Manuals Download Website

<http://myh66.com>

<http://usermanuals.us>

<http://www.somanuals.com>

<http://www.4manuals.cc>

<http://www.manual-lib.com>

<http://www.404manual.com>

<http://www.luxmanual.com>

<http://aubethermostatmanual.com>

Golf course search by state

<http://golfingnear.com>

Email search by domain

<http://emailbydomain.com>

Auto manuals search

<http://auto.somanuals.com>

TV manuals search

<http://tv.somanuals.com>