

CLASSEN[®]

TRS-20 TURF RAKE

(Serial No. 00127 & UP)

TSS-20 TURF SEEDER

(Serial No. 00143 & UP)



OPERATORS / PARTS MANUAL

Schiller-Pfeiffer, Inc.
1028 Street Road • Southampton, PA 18966
Telephone: 1-800-366-6268

TABLE OF CONTENTS

INTRODUCTION	2	GENERAL MAINTENANCE	8
Thank You	2	TURF RAKE/ TURF SEEDER Maintenance	8
Read This Manual	2	Engine Maintenance.....	8
Warranty.....	2	MACHINE STORAGE	8
Measurements	2	Storing TURF RAKE/ TURF SEEDER	8
Serial Numbers.....	2	Operation After Extended Storage	8
Ordering Parts	2	CARE FOR HYDRAULIC SYSTEM	9
Directions	2	PARTS MAIN FRAME ASSEMBLY	10
Pre-Delivery Check List	3	PARTS SELF PROPELLED ASSEMBLY	11
Delivery Check List	3	PARTS HANDLE ASSEMBLY	12
Owner's Record.....	3	SEEDER/MULTIPURPOSE	
SAFETY PRECAUTIONS	4	BLADE ASSEMBLY	13
Training	4	SLICER BLADE ASSEMBLY	13
Preparation Safety	4	SEED BOX ASSEMBLY	14
Engine Safety	4	SEEDER TIRE SCRAPE INSTALLATION	15
Operational Safety	4	SEED BOX INSTALLATION	15
OPERATION	5	SAFETY DECALS	16
Preparation	5	NOTES	17
Starting Engine.....	5	WARRANTY	18
Transporting TURF RAKE/ TURF SEEDER.....	5		
Operating TURF RAKE/ TURF SEEDER	5		
OPTIONAL BLADE ASSEMBLIES	6		
Changing Blade Assemblies	6		
Replacing Shaft Assembly Only	6		
Recommended Height Adjustments.....	6		

INTRODUCTION

THANK YOU

Thank you for purchasing a CLASSEN TRS-20/ TSS-20.

READ THIS MANUAL

Read this manual carefully in its entirety. It contains assembly, operating, maintenance, adjustment instructions and a parts list for your TRS-20/TSS-20. By following the operating and maintenance instructions you will prolong the life of your equipment and maintain its maximum efficiency. Failure to do so could result in personal injury or equipment damage. This manual should be considered a permanent part of your TRS-20/TSS-20 and should remain with it if you sell it.

WARRANTY

Refer to last page.

MEASUREMENTS

U.S. Units of measure are used in this manual.

SERIAL NUMBERS

Write frame and engine serial numbers, plus model numbers in "Owner's Record" section below. You may need these numbers when you order parts. The serial number sticker plate is located near the left rear corner of the TRS-20/TSS-20 frame.

ORDERING PARTS

When ordering parts, always give the serial number and model of your TRS-20/TSS-20 as well as the quantity, part number and description of the part needed.

DIRECTIONS

"Right Hand" and "Left Hand" sides of the TRS-20/TSS-20 are determined by facing the "back" of the unit as you would operate the machine.

PRE-DELIVERY CHECK LIST

CHECK THE FOLLOWING BEFORE YOU DELIVER THE TRS-20/TSS-20 TO THE CUSTOMER.

1. Guards and shields fastened in place.
2. Decals fastened and legible.
3. Gas lever on engine turned on.
4. All lubrication points greased.
5. Air cleaner.
6. Touch up scratches.
7. Add engine oil (refer to Engine manual)
8. Add fuel, start engine, test run.

DATE SET UP

_____/_____/_____

DELIVERY CHECK LIST

REVIEW THE OPERATORS MANUAL WITH THE CUSTOMER.

1. Classen Mfg., Inc. warranty.
2. Safe operation and service.
3. How to use controls.
4. Operating the machine correctly.
5. Transporting the TRS-20/TSS-20.
6. Correct fuel and lubricants.
7. Daily and periodic inspections.
8. Changing oil after break-in period.
9. Servicing the TRS-20/TSS-20 regularly and correctly.
10. Classen Mfg., Inc. parts and service.
11. Give the customer the Operator's Manual and encourage customer to read it.

DATE DELIVERED

_____/_____/_____

SIGNATURE _____

OWNER'S RECORD

DATE PURCHASED

TRS-20/TSS-20 SEEDER MODEL NUMBER

ENGINE MODEL NUMBER

TRS-20/TSS-20 SERIAL NUMBER

ENGINE SERIAL NUMBER



SAFETY PRECAUTIONS

TRAINING

1. Regard the unit as a piece of power equipment and teach this regard to all who operate this unit.
2. Read the instructions carefully. Be familiar with the controls and the proper use of the equipment.
3. Never allow children, teenagers or people unfamiliar with these instructions to use this piece of equipment.
4. Avoid operating unit while people, especially children or pets, are nearby. Keep in mind that the operator or user is responsible for accidents or hazards occurring to other people or their property.
5. Be sure you know how to stop the TRS-20/TSS-20 at a moment's notice.
6. When using the TRS-20/TSS-20, make certain frame plate is attached at all times when not bagging.

PREPARATION SAFETY

1. The use of personal protective equipment, such as (but not limited to) protection for the eyes, ears, feet and head is recommended.
2. While operating, always wear substantial foot wear and long trousers. Do not operate the equipment when barefoot or wearing open sandals.
3. Area should be free of all obstacles and debris.

ENGINE SAFETY

1. Handle gasoline with care; it is highly flammable.
2. Use an approved gasoline container.
3. Always add fuel before starting the engine.

4. Fill the fuel tank outdoors.
5. If fuel is spilled, do not attempt to start the engine. Move away from the area of the spill and avoid creating any source of ignition until fuel vapors have dissipated.

OPERATIONAL SAFETY

1. Carefully read and follow all caution stickers.
2. Operate only in daylight or good artificial light.
3. Do not operate machine unless all guards, shields and covers are in place and in proper working condition.
4. It is essential all operator safety mechanisms be connected and in operating condition prior to use.
5. Do not change the engine governor settings or over-speed the engine. Operating an engine at excessive speed may increase the hazard of personal injury.
6. Disengage all blade and drive clutches (release bail) before starting.
7. Start the engine carefully with feet well away from the blades.
8. Do not put hands, feet or clothing near rotating parts while the unit is being operated.
9. Travel up and down slopes at a 45° angle rather than across, to prevent unit from tipping over.
10. Exercise extreme caution when changing direction on slopes. Do not get too close to sharp drop-offs or operate unit on excessively steep slopes.
11. Use caution when backing up or pulling the unit towards you.
12. Stop the blades if unit has to be tilted for transportation, when crossing surfaces (i.e. sidewalks, driveways, stepping stones, etc.) or when transporting the unit to and from the area being worked on.
13. Never pick up or carry a TRS-20/TSS-20 while the engine is running.

⚠ WARNING ⚠

**DO NOT FILL TANK COMPLETELY FULL.
DO NOT SMOKE WHILE YOU FILL FUEL TANK.**

**DO NOT REMOVE GAS CAP IF ENGINE
IS RUNNING.**

**DO NOT OPERATE ENGINE IN A
CONFINED SPACE WHERE DANGEROUS
CARBON MONOXIDE FUMES CAN COLLECT.**

14. Stop the engine and disconnect the spark plug wire:
 - a) before checking, cleaning or working on unit
 - b) after striking a foreign object (inspect the unit for damage and make repairs before restarting and operating)
15. Stop the engine:
 - a) whenever you leave the unit
 - b) before refueling
 - c) before clearing blockages.
16. Reduce the throttle setting during engine run-out and, if the engine is provided with shut-off valve, turn the fuel off at the conclusion of operating.
17. Before shutting off, put drive lever in neutral.

2. Turn choke on (closed).
3. Turn ignition switch to "on".
4. Move throttle control to high RPM setting. Do not exceed 3600 rpm.
5. Pull recoil starter rope until engine starts.
6. After engine is warm, turn off choke (open).
7. Allow engine to run one minute before operating.
8. Check engine rpm setting before operating, DO NOT exceed 3600 rpm.

OPERATION

PREPARATION

1. Carefully read this manual and operate TRS-20/TSS-20 correctly.
2. Always check machine on level ground.
3. Visually check all moving parts and all fasteners, if loose or broken, tighten or replace. Check for broken or bent blades, replace if necessary.
4. Lubricate all fittings after every four hours of using machine, using a pressurized gun with standard lithium base lubricant (see "General Maintenance" section). Wipe off fittings before and after lubricating.
5. Add oil to the engine crankcase with engine resting in a level position (refer to engine manufacturer's Owner's Manual for the correct type and amount of oil).
6. Fill the fuel tank according to engine manufacturer specifications.
7. Police lawn area for obstacles and debris (i.e. sprinklers, hoses, toys, etc.)
8. Mark underground sprinkler heads and other hidden obstacles to prevent damage.

STARTING ENGINE



CAUTION
 TO AVOID INJURY, DO NOT PLACE YOUR FEET OR OTHER BODY PARTS UNDER THE BLADES WHILE STARTING THE ENGINE.

1. Turn fuel cock to the "open" position

TRANSPORTING THE TRS-20/TSS-20

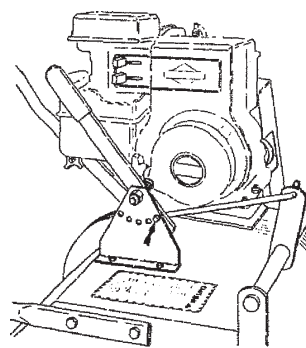


Fig. 1

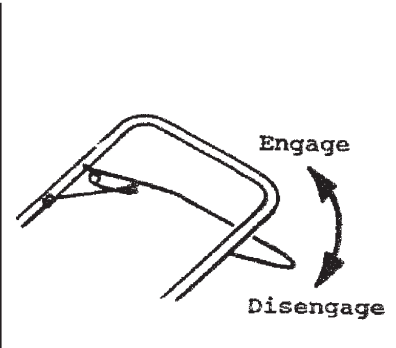


Fig. 2

1. Position height adjustment lever to the start/transport position (see Fig. 1).
2. Start Engine, drive up ramps, make sure the blades do not hit the ramps or vehicle.
3. Slow the throttle to desired speed for loading.
4. To clear sidewalks, driveways, etc., press down on handle, raising front of the TRS-20/TSS-20.

OPERATING THE TRS-20/TSS-20

1. Put speed lever in neutral position.
2. Start engine.
3. Engage bail.
4. Move speed lever forward, to move forward.
5. Move speed lever backwards, to reverse.
6. Drive TRS-20/TSS-20 to area to be raked or seeder.
7. Move height adjustment lever to the appropriate setting for the shaft assembly being used. (see "Optional Shaft Assemblies" section)
8. Lift bail to engage the main shaft. Release bail to stop.

OPTIONAL BLADE ASSEMBLIES

CHANGING BLADE ASSEMBLIES

Within minutes your machine can be converted to a turf rake, turf seeder or turf slicer by purchasing the optional blade assemblies available complete with side plates, bearings and drive pulley. Changing the blade assembly can be done quickly as described below.

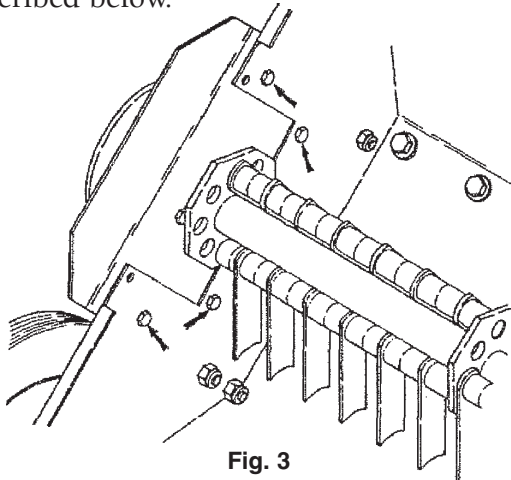


Fig. 3

1. Set unit up on block allowing enough distance beneath machine to change blade assembly.
2. After removing the belt shield, remove the twelve bolts on the left side and three on the right side which hold the blade assembly to the main body (see Fig. 3).
3. Remove the belts from both sides and remove the entire blade assembly. There is no need to loosen any set screws.
4. Next install the optional blade assembly and fasten with six 1/4" x 5/8" bolts on each side. Tighten all bolts on both shields. Center the shaft and tighten the two set screws in each bearing using Pro Lock (nut type, medium strength).
5. When changing back to the original shaft it will not be necessary to loosen any set screws. Only the bolts in the belt shields and the eight bolts holding the shaft will need to be removed.

⚠ CAUTION ⚠

BE CERTAIN THAT THE SET SCREWS ARE TIGHTENED PROPERLY IN BEARINGS AND PULLEY WHEN REASSEMBLING.

REPLACING SHAFT ASSEMBLY ONLY

If replacing the existing shaft assembly, only follow steps 1 through 3 above. Proceed with the following steps.

1. Remove the two drive pulleys and bearing plates from the main shaft (one on each side). Replace with new shaft. Reinstall the bearing plates and drive pulleys on the new shaft using Pro Lock (retaining 1, medium strength) on the shaft and Pro Lock (nut type, medium strength) on the set screws. The pulleys will be positioned on the shaft by bolts, the 1/4" lock washer and the pulley retainer washer.
2. Route the belt behind the idler pulleys and roll the belts onto the lower pulleys then reinstall the belt shields.

⚠ WARNING ⚠

CAUTION: BE CERTAIN THAT THE SET SCREWS ARE TIGHTENED PROPERLY IN BEARINGS AND PULLEY WHEN REASSEMBLING.

RECOMMENDED HEIGHT ADJUSTMENTS

Raking Height

When using the Turf Rake with its raking (flail) blade assembly adjust the raking height as follows. Normal height is set by placing the Turf Rake on a hard surface making sure one satellite shaft is at dead bottom. Adjust the wheels so the raking fingers on the bottom shaft just touch the ground. DO NOT set the fingers so that they will penetrate the ground as this will counteract the centrifugal force of the fingers and prevent the from raking properly.

With repeated use, raking side of the fingers will begin to wear. To give the fingers a new square raking edge, remove the end plates and turn the entire main shaft assembly 180° and replace it on the Turf Rake. NOTE: Use Pro-Lock (retaining 1, medium strength) on the 7" pulley on the main shaft.

To prolong the life of the main shaft, extra holes are provided. If the circular holes holding the satellite shafts become distorted, rotate all four satellite shafts to the next set of holes.

Seeding/Multipurpose Height

The seeding/multipurpose blades are used for cutting grooves for over-seeding and can also be used for verticutting grasses. To set the height properly place unit on the lawn surface and adjust the wheel height up (see Fig. 4). Adjusting the wheel height up lowers the blades.

Seeding

The proper height setting for over-seeding is approximately 1/4" into the ground. Adjust the wheel height up approximately one notch. If set deeper, grass seed being applied may not germinate.

For best results, over-seed in two passes of 1/2 application rate at right angles or in a criss-cross pattern. Water heavily immediately after seeding then lightly for 10-14 days keeping soil moist.

Slicing

The proper height setting for slicing or aerating is 1/2" to 3/4" into the ground. Adjust the wheel height up one or two notches.

For crawling grasses such as Zoysia, Bermuda, Bahia, etc. raise the wheels only one notch.

Crawling grasses should not be sliced too deeply.

For single strand grasses like Bluegrass or Rye, aerate in perpendicular directions for more even slicing. For example, slice in a North-South direction on the first pass, switching to an East-West direction on the second pass.

As the seeder/multipurpose blades wear they may be rotated to provide a new cutting edge. The wheels may be raised to allow the blades to penetrate deeper into the ground.

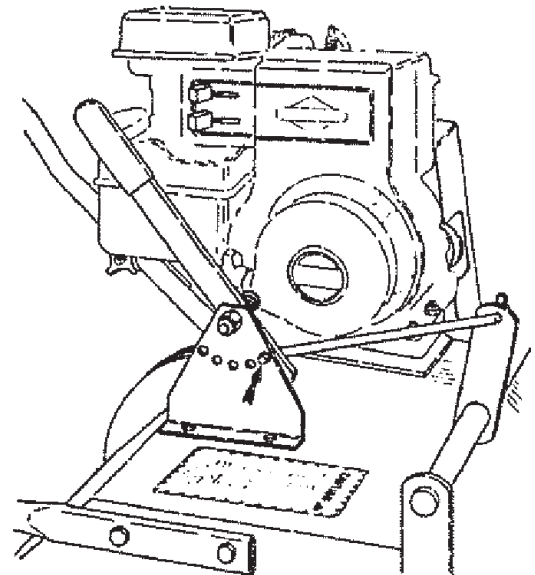


Fig. 4

Slicing Height

The slicer blade assembly is recommended for slicing, verticutting or aerating when a thinner blade is preferred. This is the recommended blade for use on golf course greens. To set the height properly place unit on the lawn surface and adjust the wheel height up (see Fig. 4). Adjusting the wheel height up lowers the blades.

The proper height setting for slicing or aerating is 1/2" to 3/4" into the ground. Adjust the wheel height up one or two notches.

For crawling grasses such as Zoysia, Bermuda, Bahia, etc. raise the wheels only one notch.

Crawling grasses should not be sliced too deeply.

For single strand grasses like Bluegrass or Rye, aerate in perpendicular directions for more even slicing. For example, slice in a North-South direction on the first pass, switching to an East-West direction on the second pass.

As the slicer blades wear they may be rotated to provide a new cutting edge. The wheels may be raised to allow the blades to penetrate deeper into the ground.

⚠ CAUTION ⚠

**BE CERTAIN THAT THE SET SCREWS ARE
TIGHTENED PROPERLY IN BEARINGS AND PULLEY
WHEN REASSEMBLING.**

GENERAL MAINTENANCE

TO KEEP THE TRS-20/TSS-20 IN GOOD OPERATING CONDITION, PERFORM THE FOLLOWING:

- When replacement parts are required, use genuine Classen parts or parts with equivalent characteristics including type, strength, and material. Failure to do so may result in product malfunction and possible injury to the operator and/or bystanders.
- Keep all safety decals legible. Remove all grease, dirt and debris from decals. Any safety decal that becomes illegible should be replaced immediately (see ‘Safety Decals’ section). Safety decals can be affixed by peeling off the backing and applying to clear, dry surface. Smooth out to remove any air bubbles.
- Do not operate equipment without shields in place.
- Do not make any adjustments or perform any maintenance while the engine is running.
- Check engine mounting bolts frequently to maintain proper tightness.
- Thoroughly clean off blades when application is completed and apply a light coat of oil to prevent rust on blades.
- Keep belt free of oil and dirt.
- Check for worn or deteriorating components that could create a hazard. When new components are installed, be sure that current safety decals are affixed to the replaced components. Safety decals can be affixed by peeling off the backing and applying to clear, dry surface. Smooth out to remove any air bubbles.

ENGINE MAINTENANCE

- Refer to engine manufacturer’s Owner’s Manual.
- Check engine oil level with engine resting in a level position.
- Inspect air filter element and replace if necessary.

- If carburetor adjustment is necessary, stand to one side and keep feet and hands clear while making adjustments.

MACHINE STORAGE

⚠ SAFETY WARNING ⚠

TO PREVENT POSSIBLE EXPLOSION OR IGNITION OF VAPORIZED FUEL, **DO NOT** STORE EQUIPMENT WITH FUEL IN TANK OR CARBURETOR OR NEAR OPEN FLAME (I.E. FURNACE, WATER HEATER, PILOT LIGHT).

STORAGE INSTRUCTIONS

Before the TRS-20/TSS-20 is put into storage for any period exceeding 30 days, the following steps should be taken.

1. Drain all fuel from fuel tank and fuel lines.
2. Start engine and run until all fuel is used from carburetor float bowl.
3. While engine is still warm, drain the crankcase oil and replace with the proper weight oil corresponding to the season the TRS-20/TSS-20 will next be used (refer to engine manufacturer’s Owner’s Manual).
4. Remove the spark plug and squirt a small quantity of engine oil into the cylinder. Turn the engine over a few times to distribute that oil.

OPERATION AFTER EXTENDED STORAGE

To put TRS-20/TSS-20 into operation after an extended storage:

1. Check for loose parts and tighten if necessary.
2. Check for cracked or broken blades and replace,
3. Check that all safety decals are in place and legible.
4. Fill fuel tank.
5. Check engine oil level with engine in level position (refer to engine manufacturer’s Owner’s Manual).
6. Start engine.
7. Check for fuel leaks.

CARE FOR HYDRAULIC SYSTEM

To keep the hydraulic system in working order, there are a few steps needed to take place. If synthetic oil were used we would suggest a full synthetic oil such as **Mobil 1 15W50**, **Quaker State Full Synthetic 5W50**, or a similar oil.

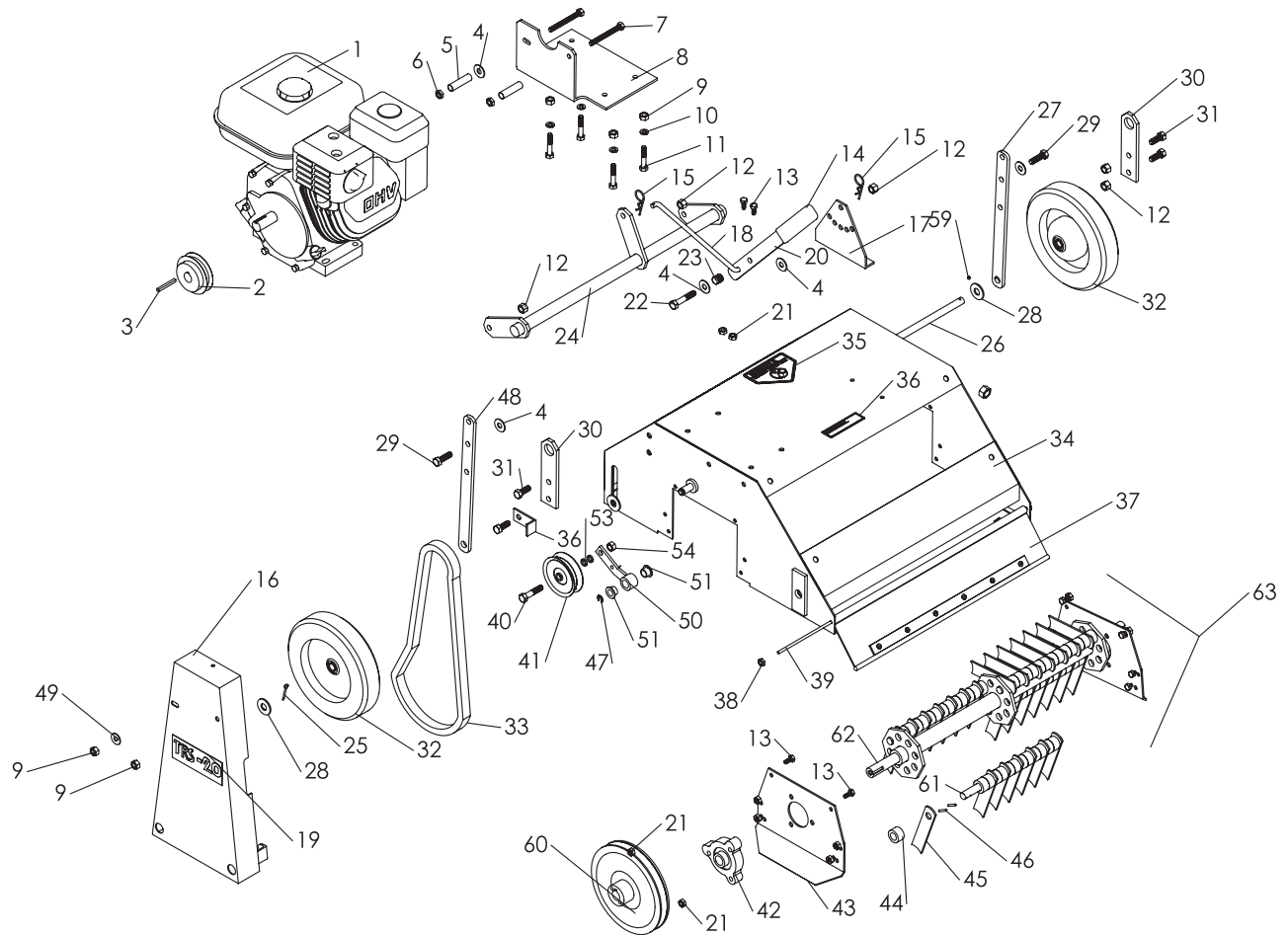
Oil viscosity is very important to transmission life. For optimum performance the oil viscosity should maintain a viscosity of 13 cSt [70 SUS]. The minimum oil viscosity to prevent component wear is 9 cSt [55 SUS]. These Viscosity requirements are for an oil temperature of 110 degrees Celsius [230 degrees Fahrenheit] Typically; standard SEA 20W-50 multi-viscosity motor oils will meet this requirement. If the operating temperature is elevated then synthetic oil with greater viscosity index, or more viscosity at elevated temperatures, may be needed to meet viscosity requirements.

System Start-up: (purging air from system).
Factory Fills unit with SAE 20W-50 multiviscosity motor oil. This will need to be checked when setting up with instructions below.

At system start-up, several things need to be accomplished to ensure a properly running system.

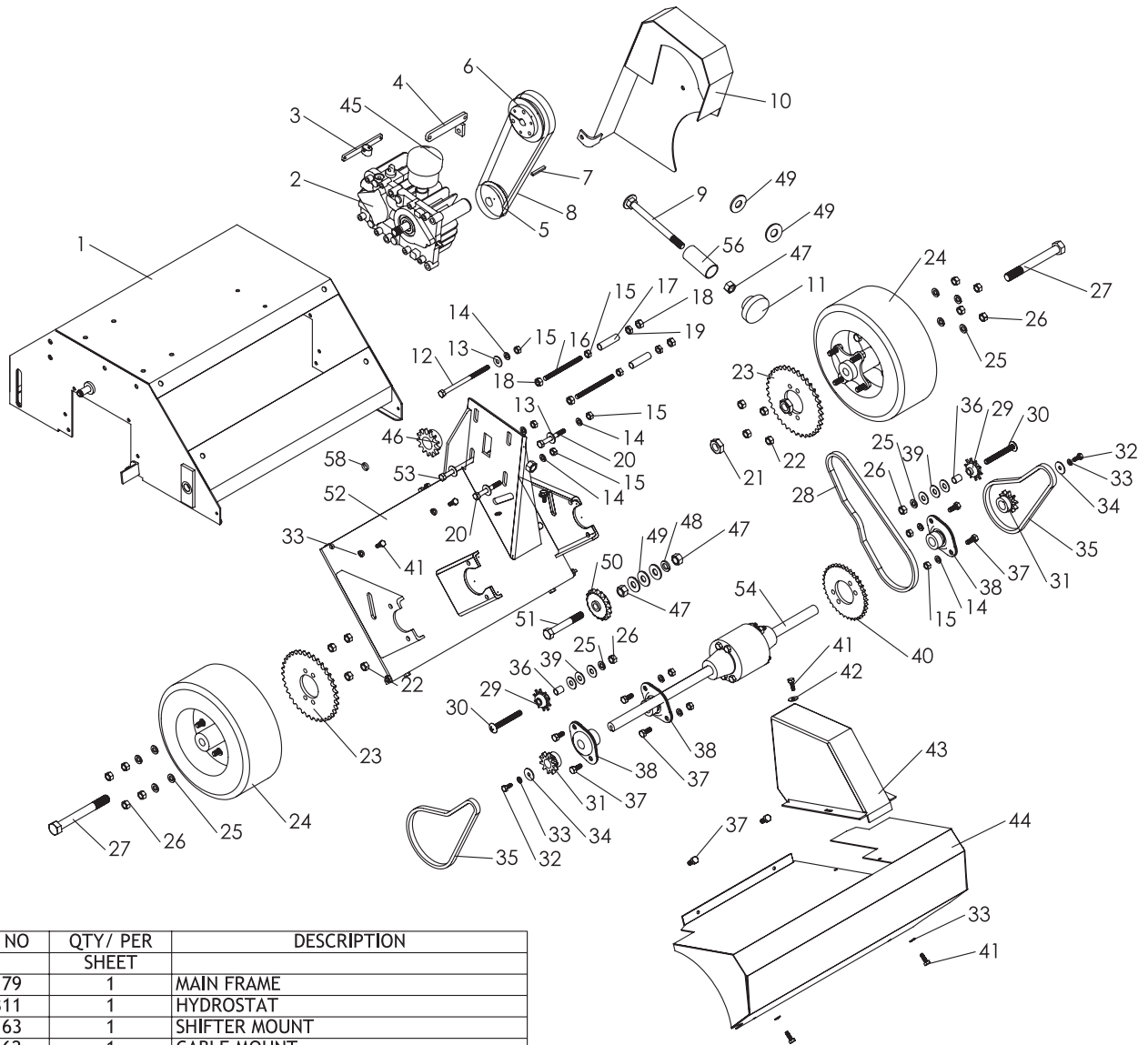
1. Fill the BDU case and expansion level and ensure they do not empty during the following procedure.
2. Start engine and increase throttle to at least 2/3 speed.
3. Open bypass valve by depressing bypass plunger and holding.
4. Adjust control linkage such that transmission control is stroking full forward.
5. Move and hold control in forward for 3 seconds; repeat two additional times.
6. Close bypass valve by releasing bypass plunger.
7. With engine still at same speed, repeat step 5.
8. Move control to neutral.
9. Check engine speed. Adjust to recommended maximum engine speed.
10. Adjust neutral position.
11. Adjust forward control stop to recommended axle speed.
12. Adjust reverse control stop to recommended axle speed.
13. If axle speed is not achieved ensure linkage allows proper movement of transmission control.
14. If transmission control lever is rotating fully but recommended axle speed is not achieved, repeat start-up procedure.
15. Refill expansion tank oil to recommended level.

PARTS MAIN FRAME ASSEMBLY



KEY	PART NO	QTY/ PER SHEET	DESCRIPTION	KEY	PART NO	QTY/ PER SHEET	DESCRIPTION
				31	500043	4	3/8-16 x 1 BOLT
				32	100064	2	8" FRONT WHEEL & TIRE ASSEMBLY
1	100137	1	5.5 HP HONDA ENGINE	33	100065	1	RAKE BELT
1	100051	1	B&S INTEC ENGINE	34	400179	1	MAIN FRAME
2	100057	1	SHEAVE w/o KEY, 3.15x.750 BORE	35	100069	1	DECAL, "DANGER"
3	500090	1	3/16 x 1-3/4 SQ. MACHINE KEY	36	100071	1	DECAL, "BAIL ENGAGEMENT"
4	500042	3	3/8 FLAT WASHER	37	300015	1	DRAG SHIELD ASSEMBLY
5	300029	2	5/16 x 2 SPACER	38	500082	2	3/16 NYLOC NUT
6	500085	2	5/16-18 x WHIZ LOCK NUT	39	300028	1	3/16 ALL THREAD ROD
7	500086	2	5/16-18 x 3 TAP BOLT	40	500079	1	3/8-16 x 1-3/4 BOLT
8	300012	1	ENGINE PAD	41	100072	1	FLAT IDLER w/ FLANGES
9	500072	6	5/16-18 x NYLOC NUT	42	100050	2	FLANGE BEARING
10	500115	4	5/16 LOCK WASHER	43	300013	2	PLATE END
11	500074	4	5/16-18 x 1-3/4 BOLT	44	100056	52	FINGER SPACER
12	500076	6	3/8-16 NYLOC	45	300019	28	RAKE FINGER
13	500069	12	1/4-20 x 5/8 BOLT	46	500067	8	1/8 x 7/8 ROLL PIN
14	100007	1	RUBBER GRIP	47	500078	1	E RING
15	500092	2	HAIR PIN	48	300034	1	L.H. SEED BOX SUPPORT
16	400032	1	BELT SHIELD	49	500083	1	5/16 FLAT WASHER
17	300017	1	HEIGHT ADJUSTMENT PLATE	50	400035	1	ENGAGEMENT ARM w/ STEELE BUSHING
18	300026	1	HEIGHT ADJUSTMENT ROD	51	100052	2	BEARING CONTROL
19	100340	1	DECAL, "TRS-20"	52	300036	1	ENGAGEMENT ARM STOP
20	300016	1	HEIGHT ADJUSTMENT LEVER	53	300030	2	BUSHING STRUT
21	500068	14	1/4-20 x NYLOC NUT	54	500081	1	3/8-16 x WHIZ LOCK NUT
22	500091	1	3/8-16 x 2 BOLT	55	100061	1	DECAL, "CAUTION" (NOT SHOWN)
23	500065	1	COMPRESSION SPRING	56	100070	1	DECAL, "DANGER CO2" (NOT SHOWN)
24	400033	1	CRANK ASSEMBLY	57	100060	1	DECAL, "CAUTION MUFFLER" (NOT SHOWN)
25	500062	2	1/8 x 1-1/4 COTTER PIN	58	100073	1	LUBRICATION TAG (NOT SHOWN)
26	300027	1	FRONT AXLE	59	500056	1	10-28 SET SCREW
27	300035	1	R.H. SEED BOX SUPPORT	60	100058	1	7" PULLEY
28	500034	2	1/2 FLAT WASHER	61	300014	4	SATELLITE SHAFT
29	500134	2	3/8-16 x 1-1/4 BOLT	62	700008	1	RAKE SHAFT
30	300018	2	HEIGHT MOUNT ADJUSTMENT	63	900003	1	COMPLETE RAKE SHAFT ASSEMBLY

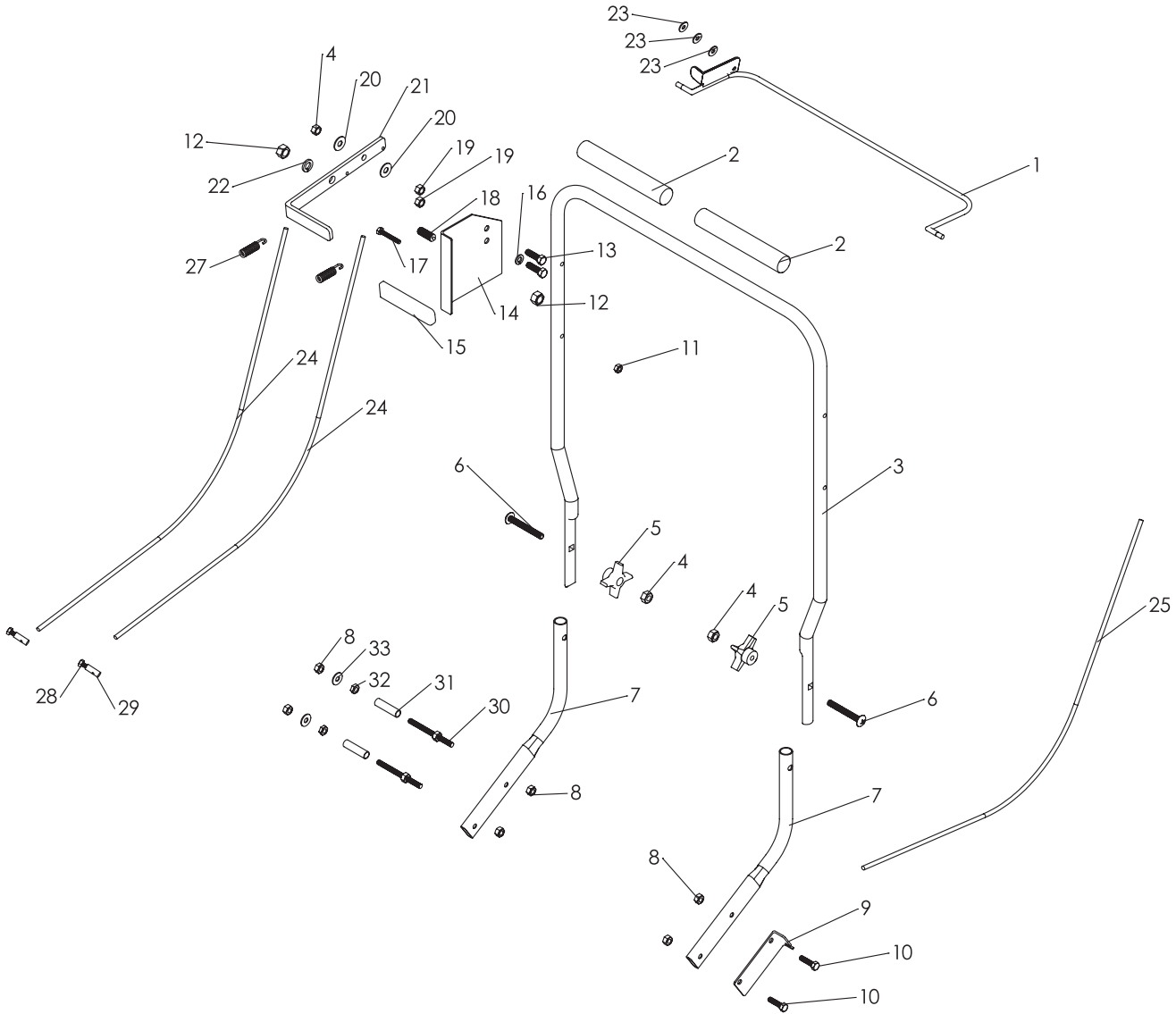
PARTS SELF PROPELLED ASSEMBLY



KEY	PART NO	QTY/ PER SHEET	DESCRIPTION
1	400179	1	MAIN FRAME
2	100311	1	HYDROSTAT
3	400163	1	SHIFTER MOUNT
4	400162	1	CABLE MOUNT
5	100057	1	SHEAVE w/o KEY, 3.15x.750 BORE
6	100315	1	1B 34 PULLEY
7	500011	1	3/16 x 1 SQUARE KEY
8	100323	1	BX30 V-BELT
9	400186	1	HYDRAULIC BY-PASS BOLT
10	400165	1	PULLEY GUARD
11	100093	1	1/2" KNOB
12	500219	1	5/16 x 5 BOLT
13	500083	5	5/16 FLAT WASHER
14	500115	14	5/16 LOCK WASHER
15	500101	14	5/16-18 NUT
16	300111	2	5/16 THREADED ROD
17	300029	2	5/16 x 2 SPACER
18	500072	2	5/16-18 NYLOC NUT
19	500085	2	5/16-18 WHIZ LOCK NUT
20	500074	2	5/16-18 x 1-3/4 BOLT
21	500077	2	5/8-18 JAM NUT
22	500041	8	3/8-24 LOCK NUT
23	200041	2	48 TOOTH SPROCKET
24	100316	2	REAR WHEEL
25	500130	2	3/8 LOCK WASHER
26	500129	2	3/8-16 NUT
27	500220	2	5/8 x 5-1/2 BOLT
28	100325	1	CHAIN, 54 ROLLERS
29	200042	2	10 TOOTH IDLER SPROCKET
30	500166	2	3/8-16 x 3 ALL THREAD CARRIAGE BOLT
31	200043	2	10 TOOTH SPROCKET
32	500071	2	1/4-28 x 5/8 BOLT

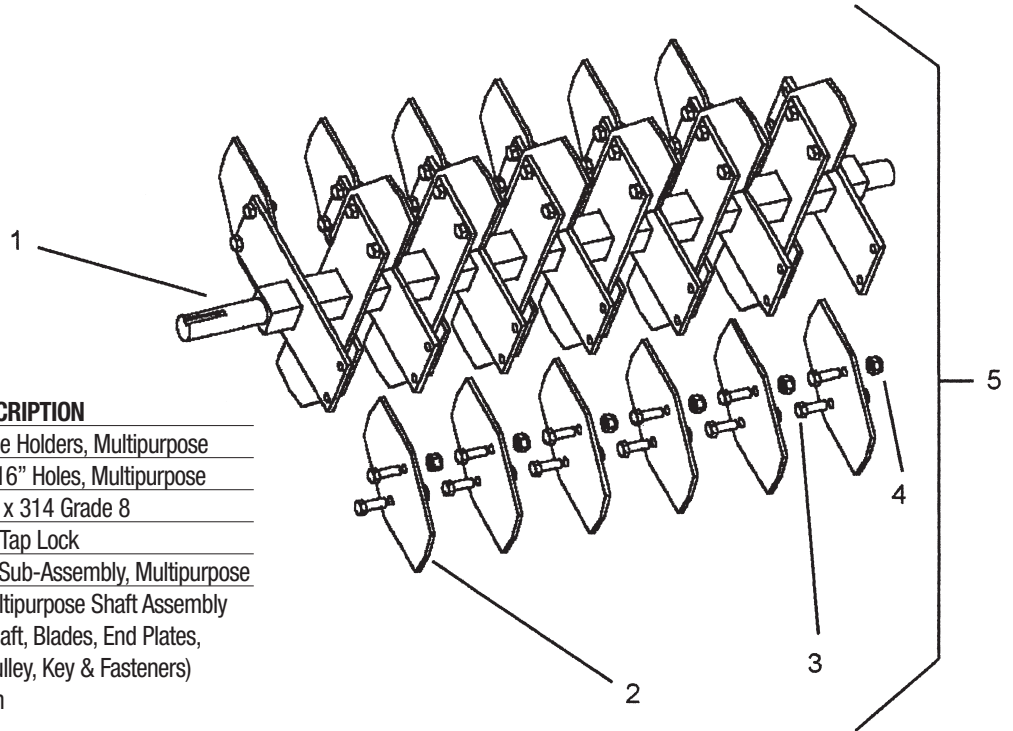
KEY	PART NO	QTY/ PER SHEET	DESCRIPTION
33	500137	8	1/4 LOCK WASHER
34	500164	2	1/4 FENDER WASHER
35	100324	2	CHAIN, 58 ROLLERS
36	300110	2	1/2 x 5/8 SPACER
37	500140	10	5/16-18 x 3/4 BOLT
38	100247	3	3/4 2-BOLT BEARING w/COLLAR
39	500042	4	3/8 FLAT WASHER
40	200045	1	40x30 SPROCKET
41	500029	6	1/4-20 x 3/4 BOLT
42	500088	6	1/4 FLAT WASHER
43	400164	1	SMALL GUARD
44	400178	1	LARGE GUARD
45	100339	1	HYDROSTAT RESEVOIR
46	200044	1	13 TOOTH SPROCKET
47	500106	2	1/2-13 NUT
48	500006	1	1/2 LOCK WASHER
49	500034	4	1/2 FLAT WASHER
50	100043	1	#40x17x1/2 IDLER SPROCKET
51	500158	1	1/2-13 x 3-1/2 BOLT
52	400161	1	HYDRO/DIFFERENTIAL MOUNT
53	500168	1	5/16-18 x 4-1/2 BOLT
54	100322	1	TRANSAXLE
55	100074	2	DECAL, "CLASSEN" (NOT SHOWN)
56	100246	1	ENGAGE SPRING
57	500232	2	3/8" STUD (NOT SHOWN)
58	100433	1	RING

PARTS HANDLE ASSEMBLY



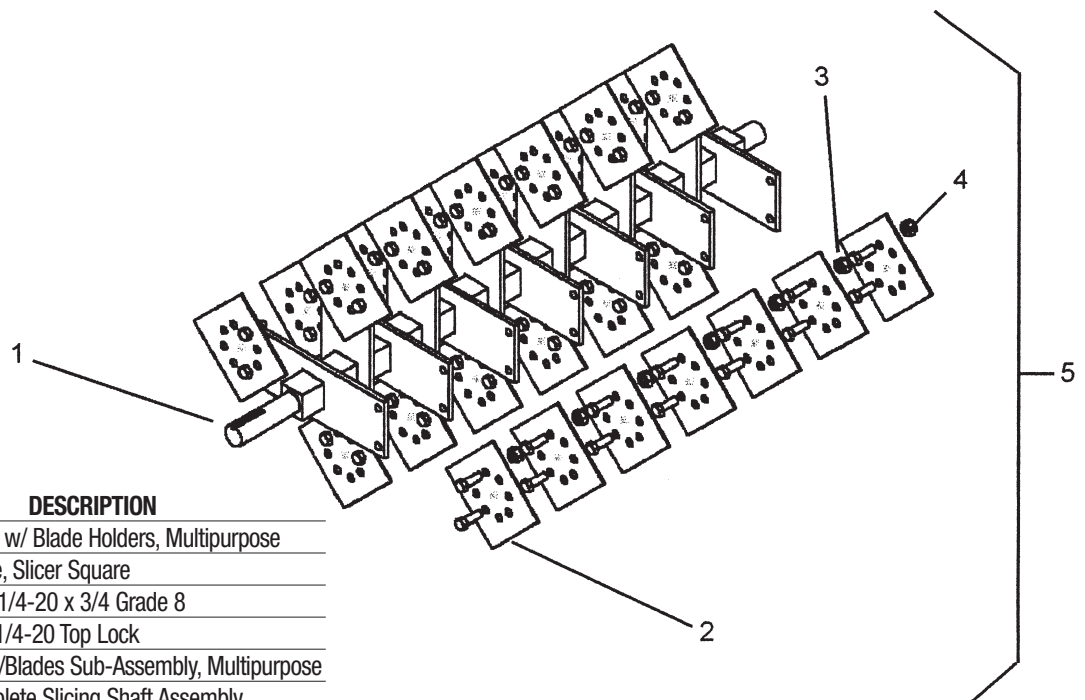
KEY	PART NO	QTY/ PER SHEET	DESCRIPTION	KEY	PART NO	QTY/PER SHEET	DESCRIPTION
1	400034	1	ENGAGEMENT BAIL	18	100326	1	PLUNGER
2	100261	2	HANDLE GRIPS	19	500129	2	3/8" NUT
3	300023	1	MAIN HANDLE	20	500042	2	3/8" FLAT WASHER
4	500167	2	3/8" LOCK NUT	21	300108	1	SPEED LEVER
5	100059	2	FOUR PRONG KNOBS	22	500006	1	1/2" LOCK WASHER
6	500166	2	3/8" x 3" ALL THREAD CARRIAGE BOLT	23	500088	3	1/4" FLAT WASHER
7	300022	2	LOWER HANDLE	24	100327	2	SHIFTER CABLE
8	500072	6	5/16" NYLOC NUT	25	100053	1	CLUTCH CABLE
9	300024	1	CLUTCH CABLE BRACKET	26	100342	1	SPEED DECAL (NOT SHOWN)
10	500073	2	5/16" x 1-1/4" BOLT	27	100035	2	SPRING
11	500068	1	1/4" NYLOC NUT	28	500029	2	1/4" x 3/4" BOLT
12	500106	1	1/2" NUT	29	500232	2	3/8" STUDS
13	500134	2	3/8" x 1-1/4" BOLT	30	400224	2	5/16" THREADED BOLT
14	300109	1	SPEED GAUGE LEVER	31	300029	2	5/16" x 2" SPACER
15	100007	1	RUBBER GRIP	32	500085	2	5/16" WHIZ LOCK NUT
16	500130	1	3/8" LOCK WASHER	33	500083	2	5/16" FLAT WASHER
17	500118	1	1/4" x 1-3/4" BOLT				

SEEDER/MULTIPURPOSE BLADE ASSEMBLY



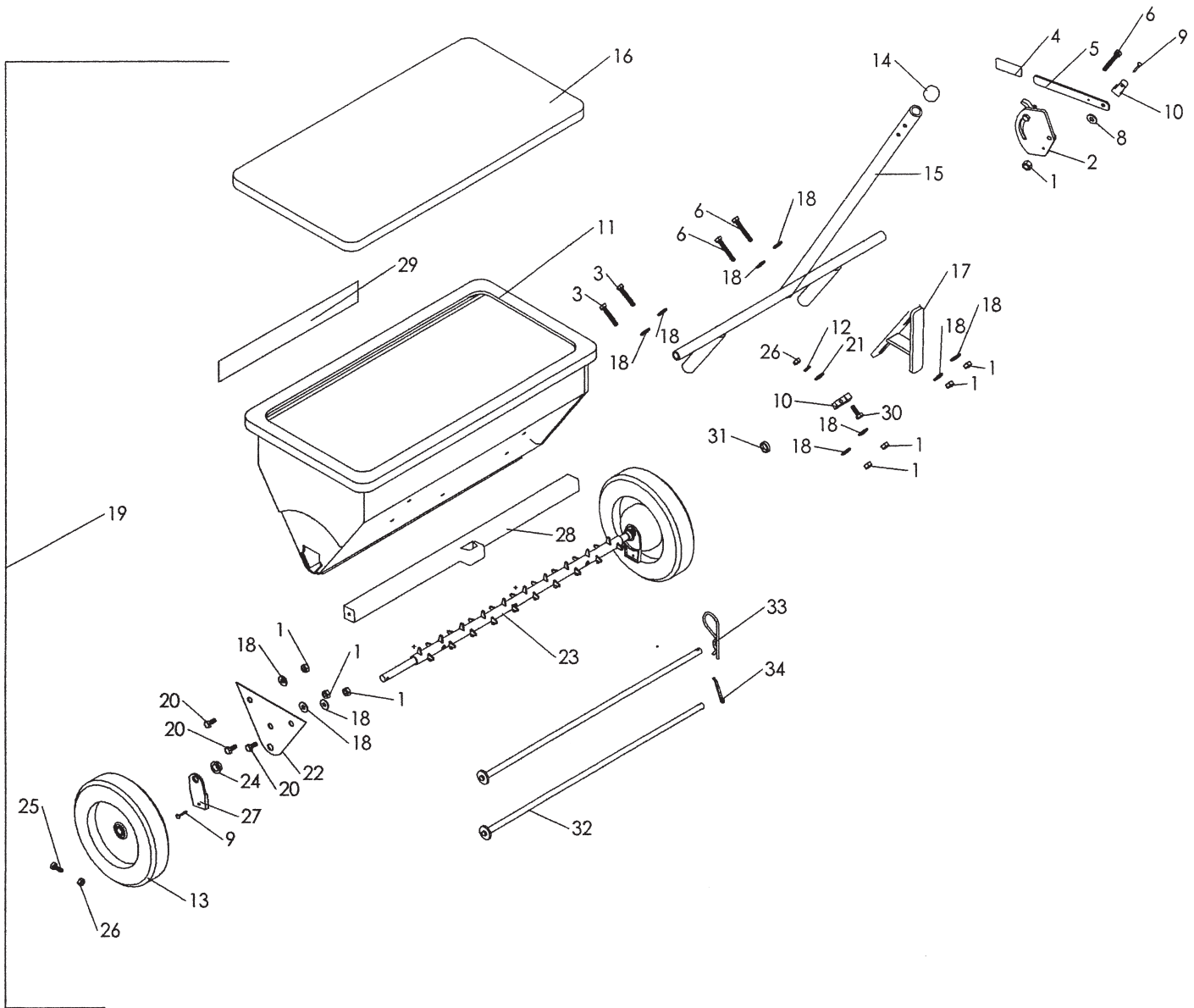
KEY	PART NO.	QTY/PER MACHINE	DESCRIPTION
1	700025	1	Shaft w/ Blade Holders, Multipurpose
2	100310	26	Blade w/ 15/16" Holes, Multipurpose
3	500216	52	Bolt, 5/16-18 x 3/4 Grade 8
4	500217	52	Nut, 5/16-18 Tap Lock
5	600030	1	Shaft/Blades Sub-Assembly, Multipurpose
6	900026	1	Complete Multipurpose Shaft Assembly (Includes Shaft, Blades, End Plates, Bearings, Pulley, Key & Fasteners) - Not Shown

SLICER BLADE ASSEMBLY (OPTIONAL)



KEY	PART NO.	QTY/PER MACHINE	DESCRIPTION
1	700025	1	Shaft w/ Blade Holders, Multipurpose
2	300032	26	Blade, Slicer Square
3	500180	52	Bolt, 1/4-20 x 3/4 Grade 8
4	500160	52	Nut, 1/4-20 Top Lock
5	600024	1	Shaft/Blades Sub-Assembly, Multipurpose
6	900016	1	Complete Slicing Shaft Assembly (Includes Shaft, Blades, End Plates, Bearings, Pulley, Key & Fasteners) - Not Shown

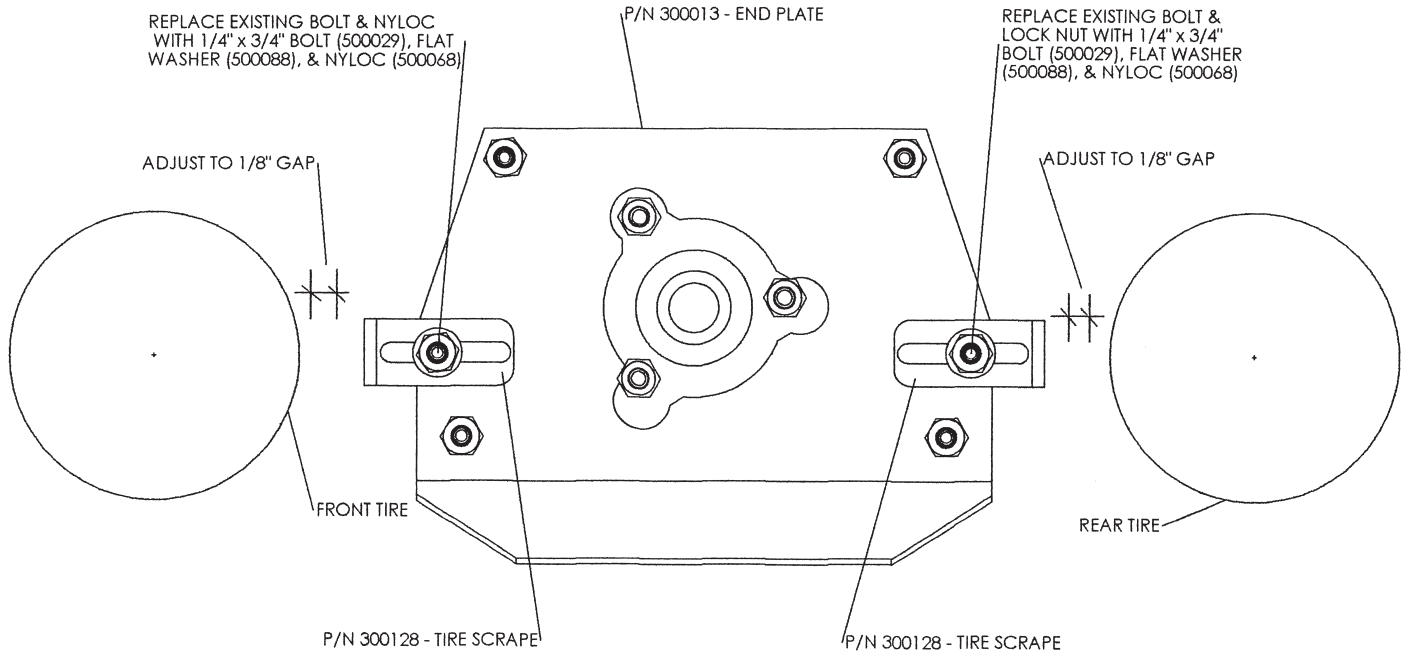
TSS-20 SEED BOX ASSEMBLY



KEY	PART NO.	QTY/PER MACHINE	DESCRIPTION
1	500068	8	1/4" NYLOC NUT
2	100140	1	GAUGE w/ BOLT & WING NUT
3	500089	2	1/4" x 1-1/2" BOLT
4	100142	1	CONTROL LEVER GRIP
5	100141	1	CABLE CONTROL LEVER
6	500118	3	1/4" x 1-3/4" BOLT
7	100139	1	CONTROL CABLE (NOT SHOWN)
8	100127	1	FRICTION WASHER
9	100229	3	#8 x 3/4" BLACK SCREW
10	100144	2	HOUSING CLIP
11	100357	1	SEED BOX
12	500226	1	3/16 LOCK WASHER
13	100355	2	8" SEED BOX DRIVE WHEEL
14	100067	2	SHAFT GUARD
15	400038	1	MOUNTING BRACKET
16	100078	1	VINYL SEED BOX COVER
17	400039	1	STABILIZING BRACKET

KEY	PART NO.	QTY/PER MACHINE	DESCRIPTION
18	500088	10	1/4" FLAT WASHER
19	900033	1	COMPLETE SEED BOX ASSEMBLY
20	500069	3	1/4" x 5/8" BOLT
21	500227	1	3/16" FLAT WASHER
22	300116	1	SIDE PLATE
23	400209	1	AXLE
24	100356	2	BEARING
25	500223	2	3/16 x 1" BOLT
26	500224	3	3/16" NUT
27	100358	2	SHUT-OFF END CLIP
28	100359	1	SHUT-OFF ASSEMBLY
29	100074	1	DECAL, "CLASSEN"
30	500225	1	3/16" x 3/4" BOLT
31	100020	1	PLASTIC TIE
32	400040	2	CONNECTING PINS
33	500096	1	5/32" x 3" HAIR PIN
34	500016	1	5/32" x 1-1/4" COTTER PIN

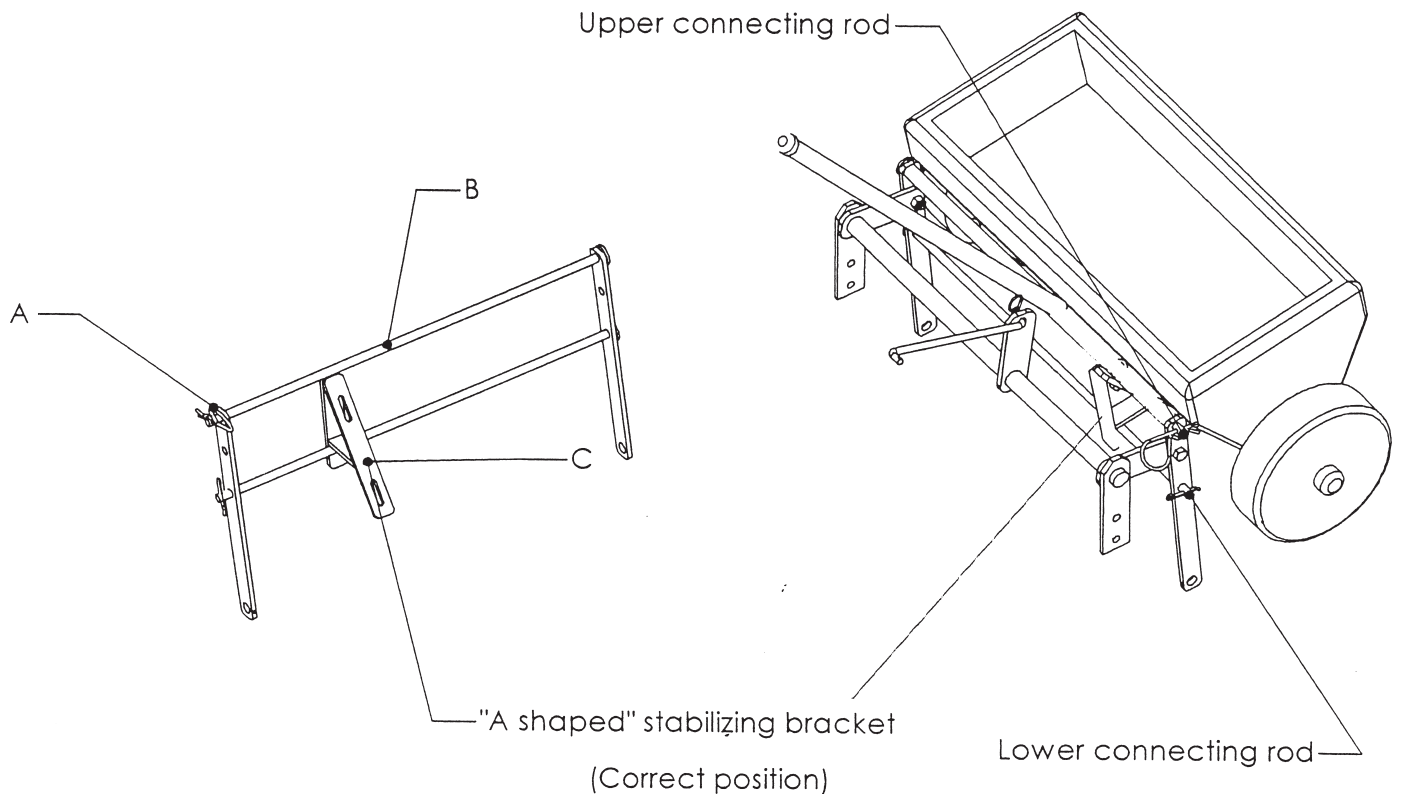
SEEDER TIRE SCRAPE INSTALLATION



SEED BOX INSTALLATION

For shipping purposes only, the seed box assembly is attached to machine improperly.

To set your machine correctly for operation, remove hairpin clip (A) from upper connecting rod (B). Slide upper rod out, allowing "A shaped" stabilizing bracket (C) on seed box to sit over lower connecting rod. (When mounted properly, wheels of seed box should be resting on front wheels of machine.) Reinsert rod and clip.



SAFETY DECALS

CLASSEN.

1

CAUTION
MUFFLER AND SHIELDS MAY EXCEED 150°F
100060

2

TRS-20

3

LIFT BAIL TO ENGAGE
RELEASE TO DISENGAGE
100071

4

CAUTION

1. READ INSTRUCTION MANUAL BEFORE OPERATING EQUIPMENT.
2. BE SURE THE TURF RAKE IS IN THE RAISED POSITION BEFORE STARTING THE ENGINE.
3. DO NOT OPERATE UNLESS ALL GUARDS ARE IN PLACE.
4. KEEP FEET, HANDS & ALL OBJECTS FROM UNDER DECK. KEEP PEOPLE AND PETS AT SAFE DISTANCE.
5. USE CAUTION ON SLOPES.
6. BEFORE LEAVING OPERATOR'S POSITION, SHUT OFF ENGINE.
7. BEFORE ADJUSTING RAKING DEPTH BE SURE ENGINE IS AT SLOWEST IDLE AND RAKING SHAFT HAS STOPPED ROTATING.
8. DISCONNECT SPARK PLUG WIRE BEFORE SERVICING OR CLEANING.
9. DO NOT ADD FUEL WHILE ENGINE IS WARM OR RUNNING.

100061

5

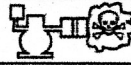
TSS-20

6

DANGER
KEEP HANDS and FEET AWAY

7

DANGER



ENGINES PRODUCE CARBON MONOXIDE WHICH IS AN ODORLESS DEADLY POISON
DO NOT OPERATE IN AN ENCLOSED AREA
100070

8

SEED APPLICATION CHART				LAWN PREPARATION:	
THERE SETTINGS ARE APPROXIMATE GUIDELINES. SEEDING RATES ARE SPEED DEPENDENT. FASTER SPEED DELIVERS LESS SEED.				MOW LAWN TO 1 TO 2 INCH HEIGHT. DO NOT WATER PRIOR TO SEEDING. POWER RAKE TO DESTROY LAWN AND REMOVE THATCH IN EXCESS OF 1/2 INCH. AERATE LAWN WITH CORE TYPE AERATOR. FERTILIZE LAWN WITH BROADCAST SPREADER.	
SEED TYPE	RATE LBS./ 1000 SQ. FT.	SETTING	SEED TYPE	RATE LBS./ 1000 SQ. FT.	SETTING
BENT GRASS	6.5	20	FESCUE	3.50	23
	1.5	25	(FALL)	4.50	26
	1.5	24		6.07	27
				7.25	30
BERMUDA	2.0	17			
	2.75	19	RYEGRASS	1.4	16
				2.19	18
BLUEGRASS	2.13	16		2.26	20
	4.26	14		4.5	22
				6.0	26
				7.2	27
FESCUE (CREEPING)	2.55	22		10	30
	3.5	25			
	4.50	27			
	6.50	29			
	7.5	30			

SEEDING RECOMMENDATIONS:
FOR BEST RESULTS, OVERSEED IN TWO PASSES OF 1/2 APPLICATION RATE AT RIGHT ANGLES ON IN A CRIBSCROSS PATTERN. WATER HEAVILY IMMEDIATELY THEN LIGHTLY FOR 10 TO 14 DAYS KEEPING SOIL MOIST. AFTER GERMINATION, WATER LESS OFTEN TO PROMOTE ROOT GROWTH.

9

CAUTION

DO NOT USE WITHOUT CATCHER BAG

10

KEY	PART NO.	MACHINE	DESCRIPTION
1	100074	2	Decal, "Classen"
2	100060	1	Decal, "CAUTION - Muffler and Shields May Exceed 150°"
3	100340	1	Decal, "TRS-20" (Turf Rake only)
4	100071	1	Decal, "Bail Engagement"
5	100061	1	Decal, "CAUTION - Operating Instructions"

KEY	PART NO.	MACHINE	DESCRIPTION
6	100341	1	Decal, "TSS-20" (Turf Seeder only)
7	100069	1	Decal, "DANGER, Keep Hands and Feet Away"
8	100070	1	Decal, "DANGER - Carbon Monoxide"
9	100138	1	Decal, "Seed Application Chart" (Turf Seeder only)
10	100228	1	Decal, "CAUTION - Catcher Bag (Turf Rake only)"
11	100054	1	Manual, Operators/Parts (Not Shown)

NOTES

CLASSEN[®]

Schiller-Pfeiffer, Inc.
1028 Street Road • Southampton, PA 18966
Telephone: 1-800-366-6268

TWO YEAR LIMITED WARRANTY

Effective April 1, 2007

For the period of two years from the date of purchase, CLASSEN MFG., INC. will repair or replace for the original purchaser free of charge, any part or parts found upon the examination of our factory authorized service station, or by the factory in Norfolk, Nebraska, to be defective in material or workmanship. All transportation charges on parts submitted for repair or replacement under this warranty shall be borne by the purchaser.

This warranty does not include engines or engine parts, tires, batteries, or gearboxes that are covered under separate warranties furnished by their manufacturer or supplier, nor does it include normal maintenance parts, including but not limited to, spark plugs, points, filters, blades, and lubricants.

All service under this warranty will be furnished or performed by our factory authorized service stations.

There is no other expressed warranty. Implied warranties, including those of merchantability and fitness for a particular purpose, are limited to two years from the date of purchase and to the extent permitted by law, any and all implied warranties are excluded. The above remedy of repair and replacement of defective parts is the purchaser's exclusive remedy for any defect, malfunction or breach of warranty. Liability for incidental or consequential damages under any and all warranties is excluded to the extent permitted by law.

NORMAL RESPONSIBILITIES OF THE SELLER AND THE USER

1. The Distributor or Dealer is responsible for the proper assembly and preparation of the product for delivery to the end user.
2. The User is responsible for reading the Manual and Instructions.
3. The User is responsible for proper operation and maintenance as described in the manual.
4. The User is responsible for the replacement of wear items such as blades, belts, tires, batteries, etc.
5. The User is responsible for damage due to improper operation and maintenance, as well as abuse.

All claims must be received by the factory 30 days after the end of the warranty period to receive warranty consideration.

Free Manuals Download Website

<http://myh66.com>

<http://usermanuals.us>

<http://www.somanuals.com>

<http://www.4manuals.cc>

<http://www.manual-lib.com>

<http://www.404manual.com>

<http://www.luxmanual.com>

<http://aubethermostatmanual.com>

Golf course search by state

<http://golfingnear.com>

Email search by domain

<http://emailbydomain.com>

Auto manuals search

<http://auto.somanuals.com>

TV manuals search

<http://tv.somanuals.com>