

BATCH BUCKET WITH DOLLY

BATCH BUCKETS **Cleveland Standard Features**

- Large, bucket for loading product load via hoist system into kettles
- Stainless steel construction
- Cone shape bottom with 14" diameter sliding dump gate
- Accepted for use in U.S.D.A. Inspected Facilities

Options & Accessories

- Special sizes upon request
- Bucket with 3" ball valve for loading liquids

BATCH BUCKET DOLLIES **Cleveland Standard Features**

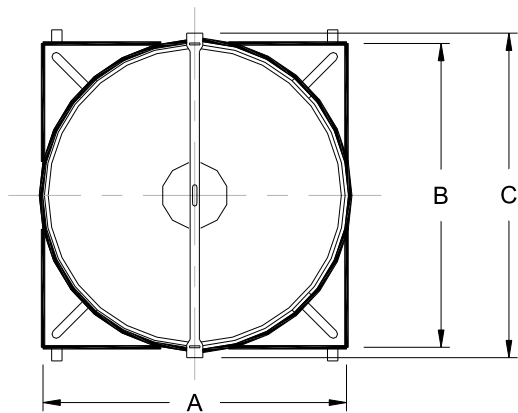
- Type 304 stainless steel construction
- Heavy duty design
- Large 5" diameter casters, two with brakes
- Accepted for use in U.S.D.A. Inspected Facilities

MODELS: BB-60 BB-100

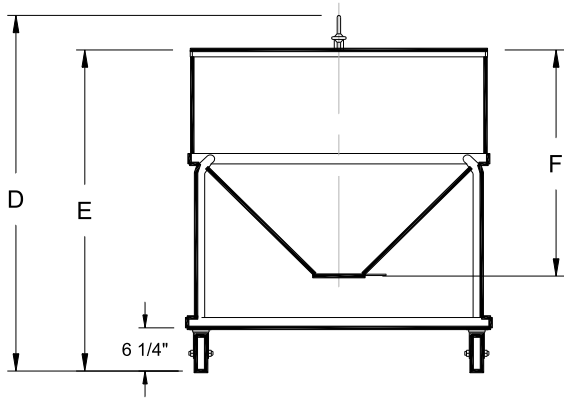


MODELS: BBD-60 BBD-100

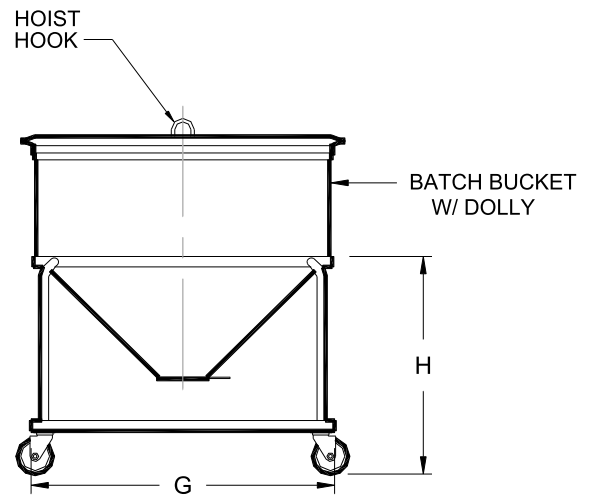




PLAN VIEW



FRONT VIEW



SIDE VIEW

DIMENSIONS

MODEL	A	B	C	D	E	F	G	H
BB-60	28 1/2"	28 1/2"	31 1/2"	40"	35"	21 1/4"	28 1/2"	23 3/4"
BB-100	34 1/2"	34 1/2"	37 1/2"	44"	39"	25 1/4"	34 1/2"	26 3/4"

Free Manuals Download Website

<http://myh66.com>

<http://usermanuals.us>

<http://www.somanuals.com>

<http://www.4manuals.cc>

<http://www.manual-lib.com>

<http://www.404manual.com>

<http://www.luxmanual.com>

<http://aubethermostatmanual.com>

Golf course search by state

<http://golfingnear.com>

Email search by domain

<http://emailbydomain.com>

Auto manuals search

<http://auto.somanuals.com>

TV manuals search

<http://tv.somanuals.com>