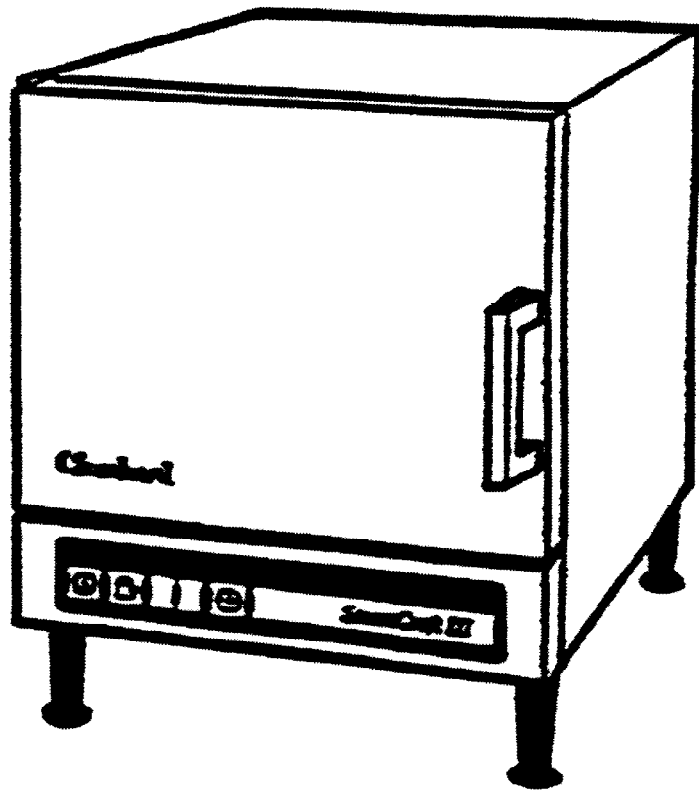


# *Cleveland*

## Service Manual

STEAMCRAFT III  
COUNTER TYPE CONVECTION STEAMER  
MODELS: CET-8



CTS-03 1/01

2/04

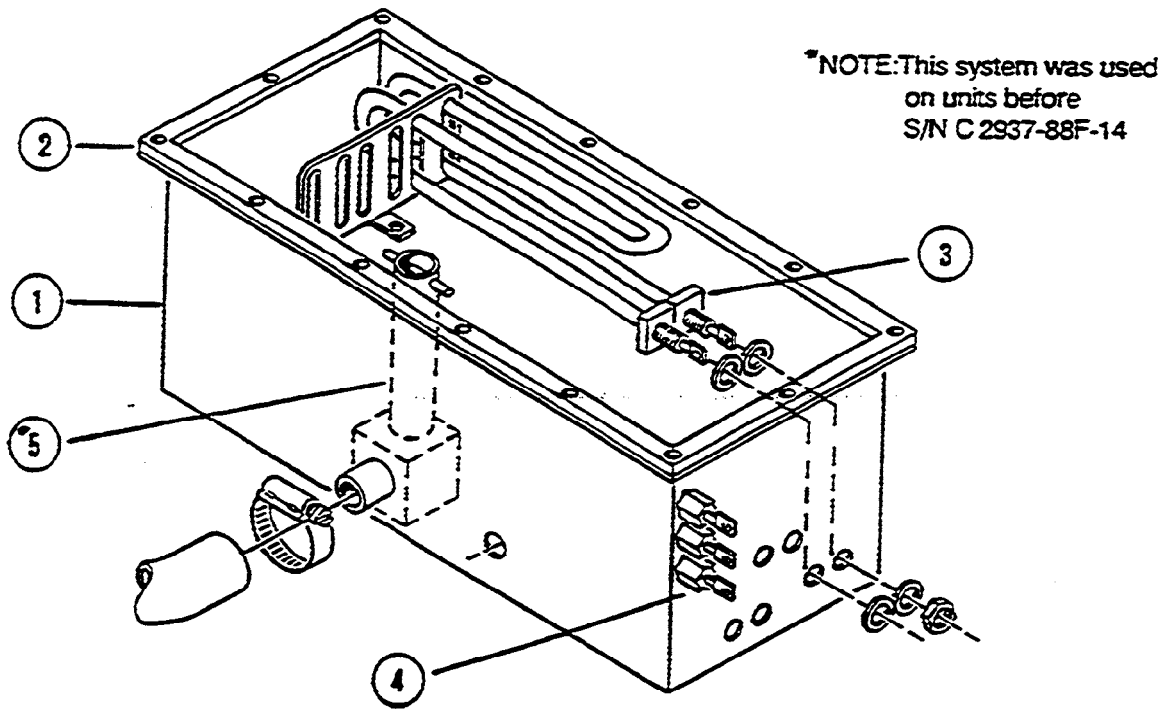
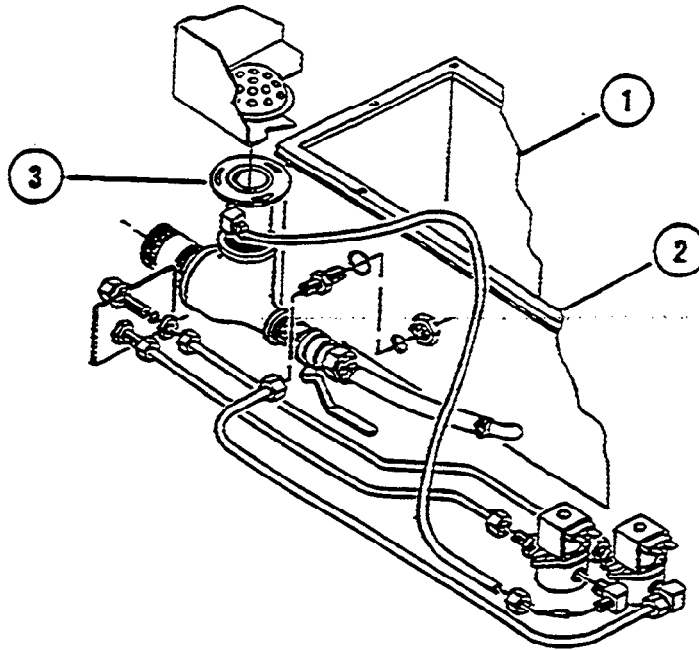


Fig. 4 STEAM GENERATOR ASSEMBLY

ITEM	PART NO.	DESCRIPTION	QTY
<b>STEAM GENERATOR ASSEMBLY</b>			
1	101281	Steam Generator Body	1
2	101309	Steam Generator Gasket	1
3		Heating Element(s) Assembly (see Fig. 7, pages 42-43)	
4		Probe Assembly (see Fig. 8, pages 44-47)	
*5	101431	Drain Stopper*	1



NOTE: This system was used on units after S/N C 2937-88F-13

Fig. 5 STEAM GENERATOR ASSEMBLY

ITEM	PART NO.	DESCRIPTION	QTY
		<b>STEAM GENERATOR ASSEMBLY</b>	
1	101281	Steam Generator Body	1
2	101309	Steam Generator Gasket	1
		Heating Element(s) Assembly (see Fig. 7, page 42)	
		Probe Assembly (see Fig. 9, page 44)	
3		Drain Valve Assembly (see Fig. 18, page 53)	

NOTE: This system was used on units after S/N C 5080-88J-00.

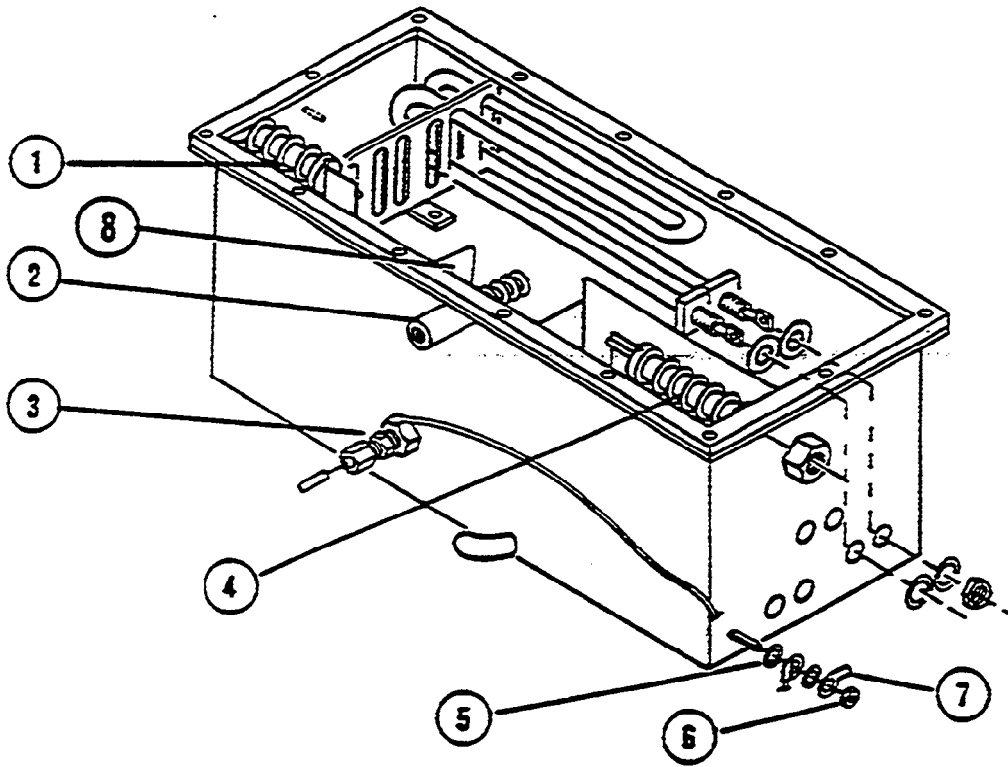


Fig. 6 STEAM GENERATOR ASSEMBLY

ITEM	PART NO.	DESCRIPTION	QTY
1	102519	Low Water Probe Assembly	1
2	102515	Flood Probe Assembly	1
3	102520	Bulkhead Ground, Wire Assembly	1
4	102518	Water Level Probe Assembly	1
5	23114	Washer, #10 S/S	2
6	14672	Nut, Hex, Lock, Elastic 10-32 Plated	1
7	20323	Terminal, #10 Ring	2
8	102649	Baffle, Flood Probe	1

NOTE: This system was used on units after S/N C 5080-88J-00.

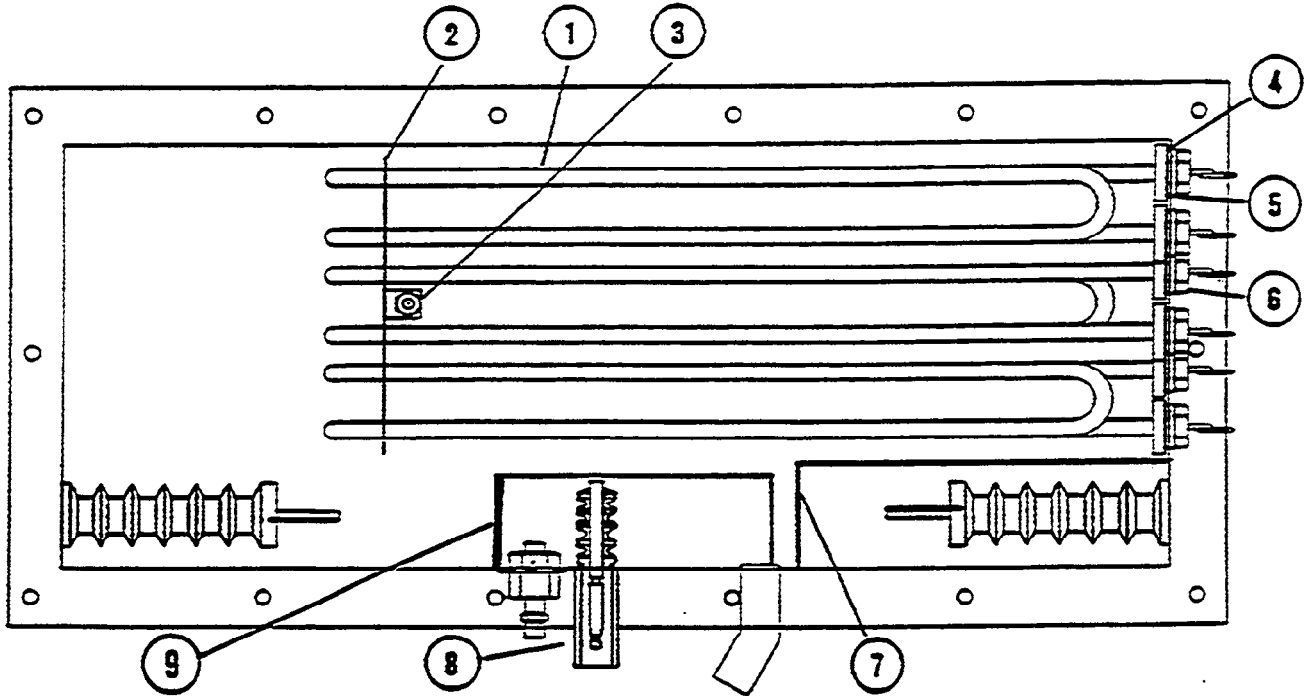


Fig. 6a TOP VIEW - Steam Generator Assembly\*

ITEM	PART NO.	DESCRIPTION	QTY
1		Heating Element Assembly (see voltage required)	
	101225	2.6 KW, 208 V	3
	1012251	2.6 KW, 220 V	3
	1012252	2.6 KW, 450 V	3
2	101312	Heating Element Spacer	1
3	14577	Acorn Nut, 1/4-20, S/S	1
4	101306	Sealing Washer, S/S	6
5	101768	Heater Washer, .515 LD., Zinc PL	6
6	101308	Hex Nut (brass), 1/4-20	6
7	1012781	Probe Baffle	1
8	102515	Flood Probe Assembly (see page 41)	
9	102649	Baffle, Flood Probe	1

\* Refer to Fig. 6b and 6c for further information.

NOTE: This system was used on units after S/N C 5080-88J-00

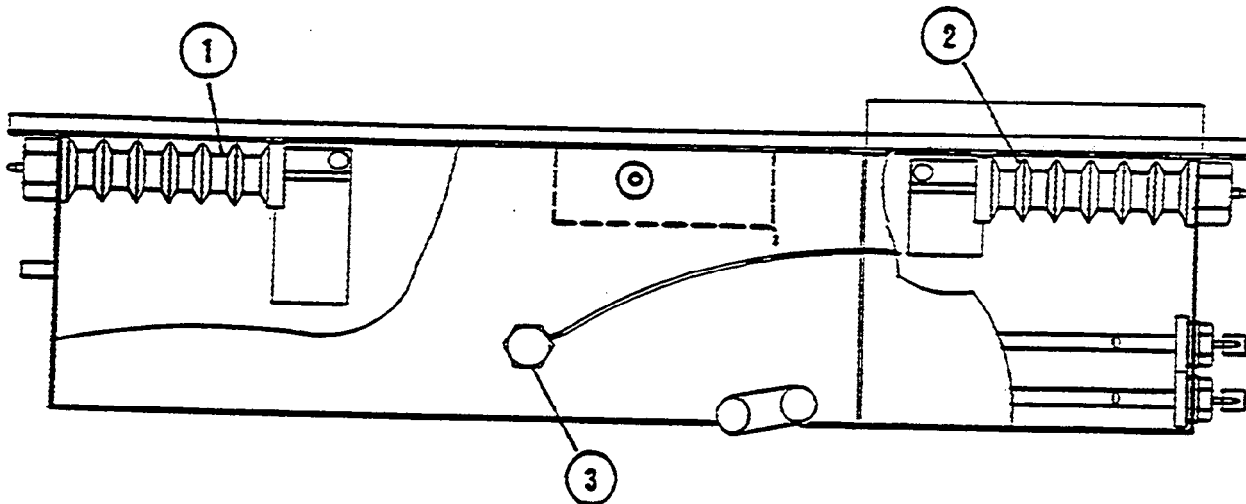


Fig. 6b LEFT SIDE VIEW - Steam Generator Assembly\*

ITEM	PART NO.	DESCRIPTION	QTY
1	102519	Low Water Probe Assembly	1
2	102518	Water Level Probe Assembly	1
3	102510	Wire, Bulkhead Ground Assembly	1

\* Refer to Fig. 6a and 6c for further information.

NOTE: This system was used on units after S/N C 5080-88J-00

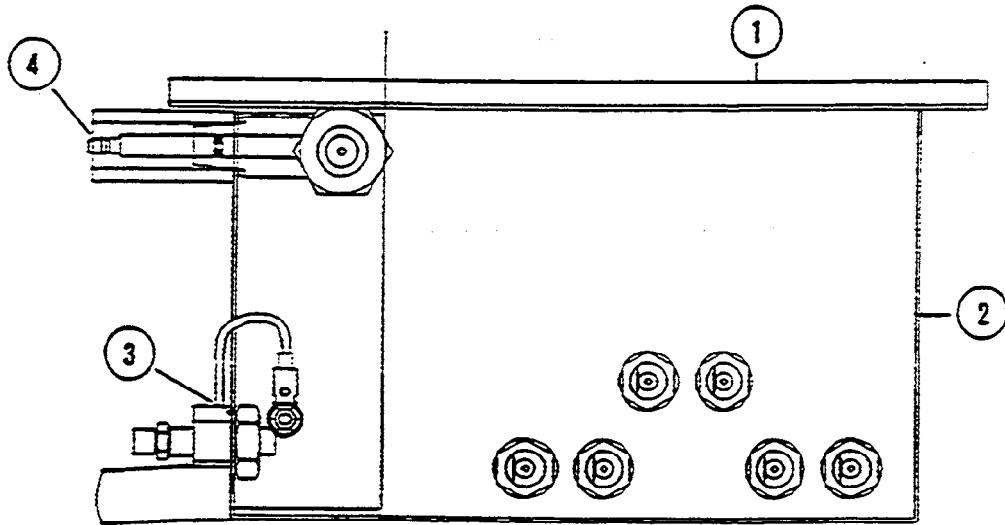
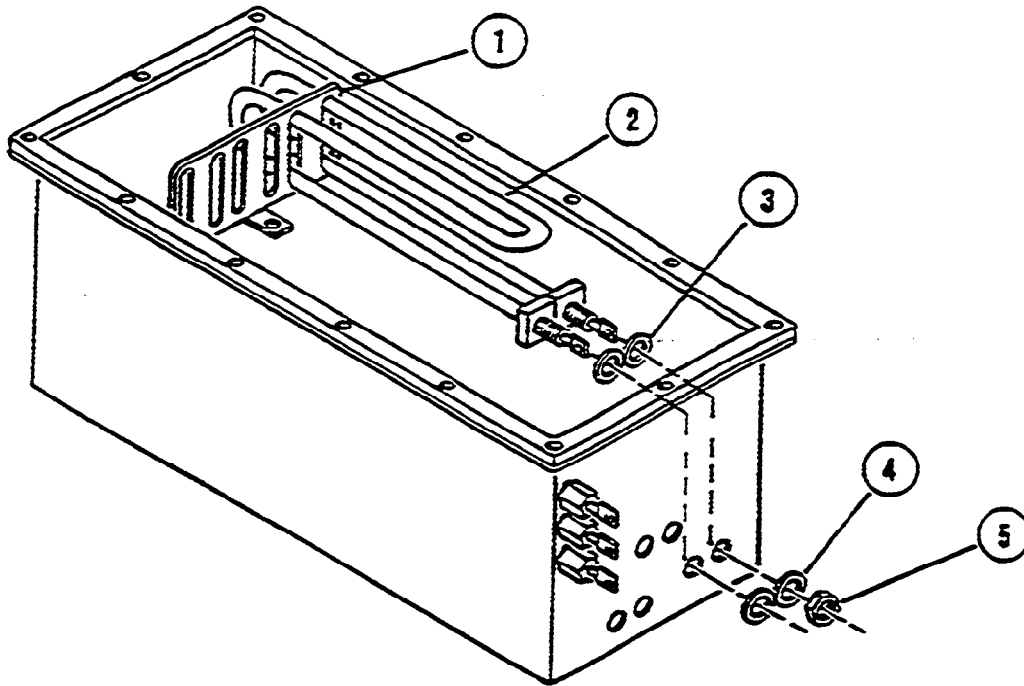


Fig. 6c FRONT VIEW - Steam Generator Assembly\*

ITEM	PART NO.	DESCRIPTION	QTY
1	101402	Steam Generator Gasket	1
2	102257	Steam Generator Weldment Assembly	1
3	102520	Wire, Bulkhead Ground Assembly	1
4	102515	Flood Probe Assembly	1

\* Refer to Fig. 6a and 6b for further information.



**Fig. 7 HEATING ELEMENT(S) ASSEMBLY**

ITEM	PART NO.	DESCRIPTION	QTY
		<b>HEATING ELEMENT ASSEMBLY -</b>	
1	101312	Bracket Heater Retainer	1
2		Heating Element Assembly (see Voltage req'd)	3
	101225	2666 Watt, 208 V	
	1012251	2666 Watt, 220-240 V	
	1012252	2666 Watt, 440-480 V	
3	101306	Gasket Washer	6
4	101768	Heating Element Washer	6
5	101308	Heating Element Nut, 1/2" - 20	6



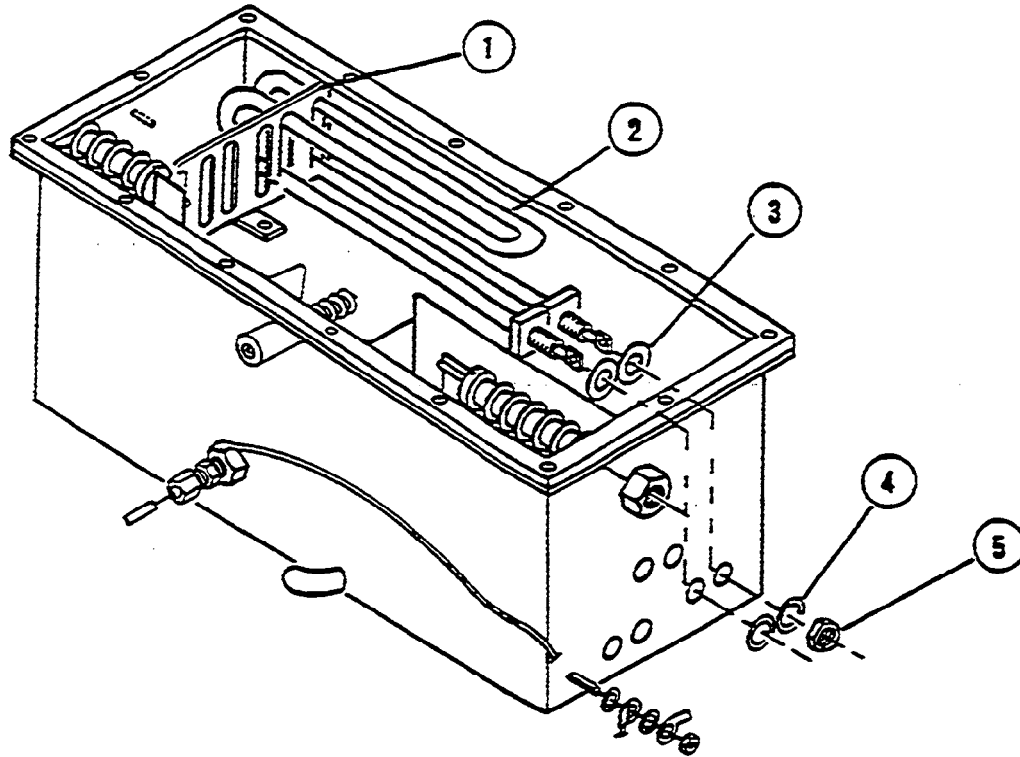


Fig. 8 HEATING ELEMENT(S) ASSEMBLY

ITEM	PART NO.	DESCRIPTION	QTY
		HEATING ELEMENT ASSEMBLY	
1	101312	Bracket Heater Retainer	1
2		Heating Element Assembly (see Voltage req'd)	3
	101225	2666 Watt, 208 V	
	1012251	2666 Watt, 220-240 V	
	1012252	2666 Watt, 440-480 V	
3	101306	Gasket Washer	6
4	101768	Heating Element Washer	6
5	101308	Heating Element Nut, 1/2" - 20	6

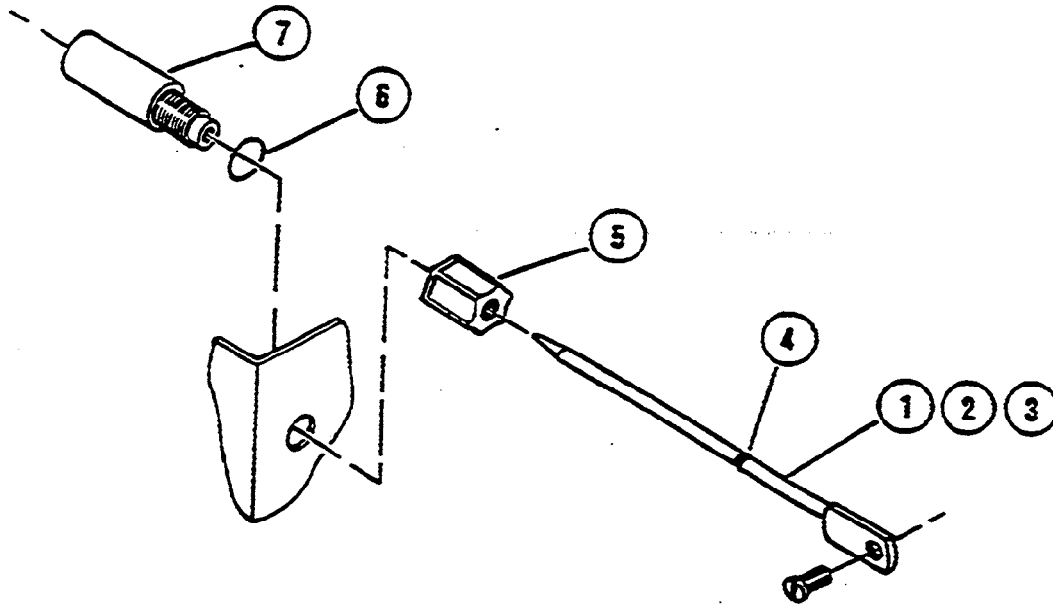


Fig. 9 PROBE ASSEMBLY

ITEM	PART NO.	DESCRIPTION	QTY
<b>PROBES ASSEMBLY</b>			
<b>Probes</b>			
			3
1	1012961	"Flood" Probe (Upper, shortest Probe)	1
2	101296	"Water" Probe (Middle Probe)	1
3	101296	"Low Water Cut-off" Probe (Lower Probe)	1
4	101302	Probe O-Ring, 5/64" I.D. x 13/64" O.D. x 1/16"	3
5	101316	Probe Nut Ferrule, 1/4"	3
6	101303	Seal, O-Ring, 3/8" I.D. x 1/2" O.D. x 1/16"	3
7	101298	Probe Bushing	3

NOTE: This system was used on units after S/N C 5080-88J-00.

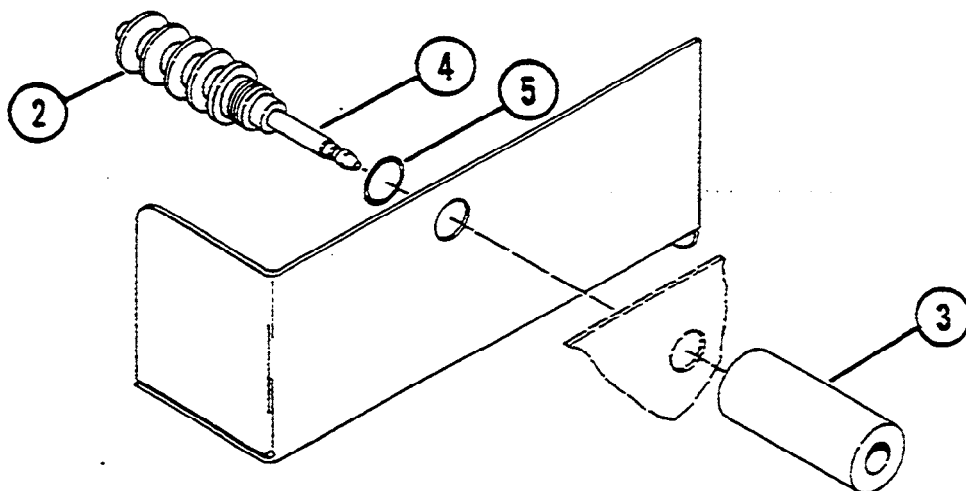


Fig. 10 FLOOD PROBE ASSEMBLY

ITEM	PART NO.	DESCRIPTION	QTY
1	102515	FLOOD PROBE ASSEMBLY	1
2	101298	Ribbed insulator	1
3	1013161	Nut, Probe	1
4	1012954	Probe, S/S	1
5	101303	Seal, O-ring 3/8" LD. x 1/2" O.D.	1
6	102649	Baffle	1

NOTE: This system was used on units after S/N C 5080-88J-00.

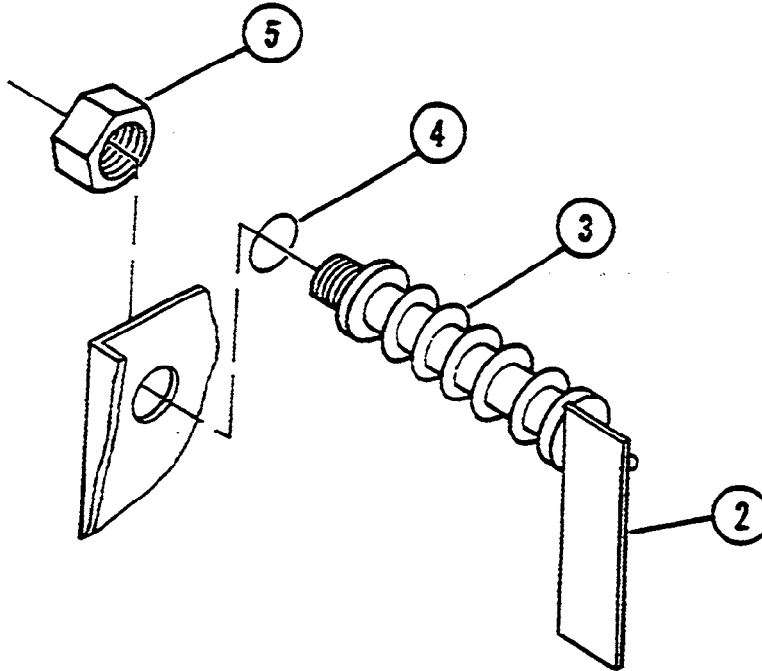


Fig. 11 LOW WATER PROBE ASSEMBLY

ITEM	PART NO.	DESCRIPTION	QTY
1	102519	LOW WATER PROBE ASSEMBLY	1
2	1022532	Probe Weldment Assembly	1
3	102236	Bushing, Insulator	1
4	1013023	Seal, O-ring 5/8" I.D. x 3/4" O.D.	1
5	102254	Nut, Hex 5/8"-11 Nylon	1

NOTE: This system was used on units after S/N C 5080-88J-00.

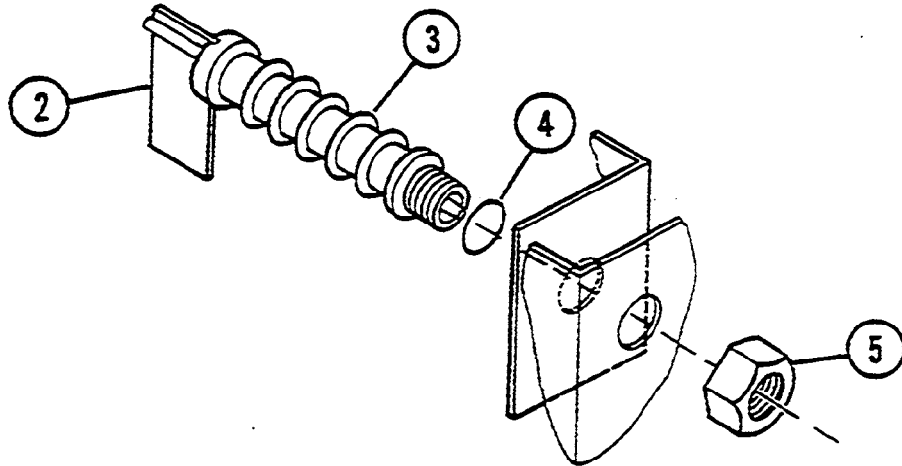


Fig. 12 WATER LEVEL PROBE ASSEMBLY

ITEM	PART NO.	DESCRIPTION	QTY
1	102518	WATER LEVEL PROBE ASSEMBLY	1
2	1022532	Probe Weldment Assembly	1
3	102236	Bushing, Insulator	1
4	1013023	Seal, O-ring 5/8" LD. x 3/4" O.D.	1
5	102254	Nut, Hex 5/8"-11 Nylon	1

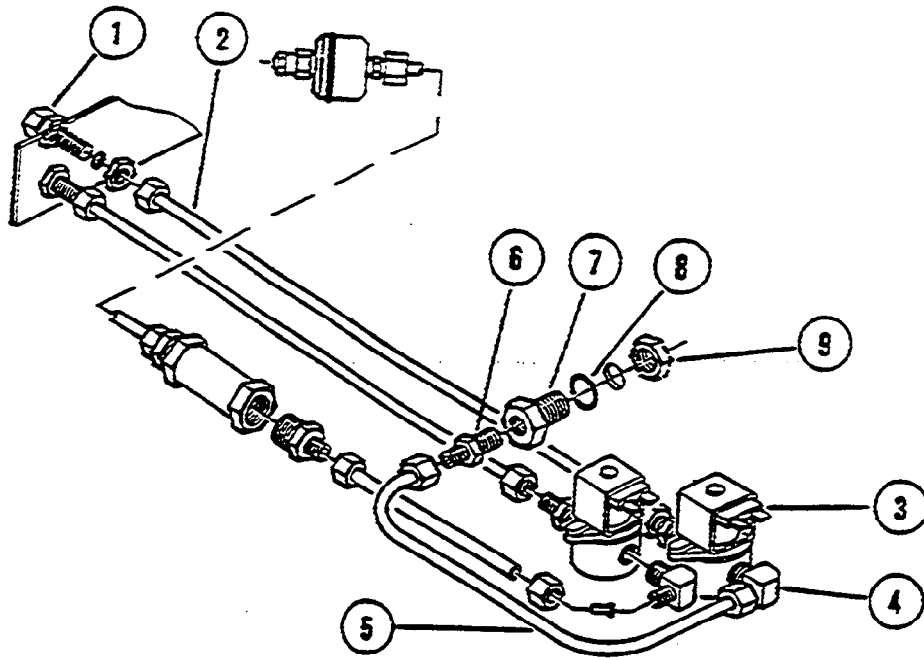
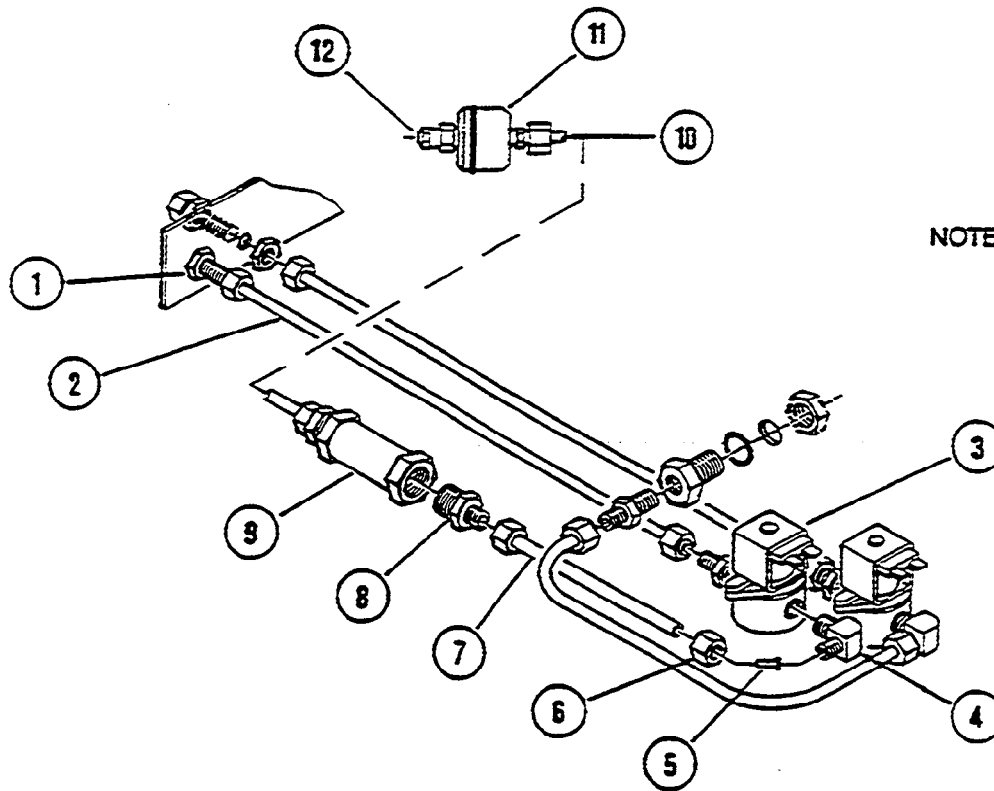


Fig. 13 WATER INLET TO STEAM GENERATOR

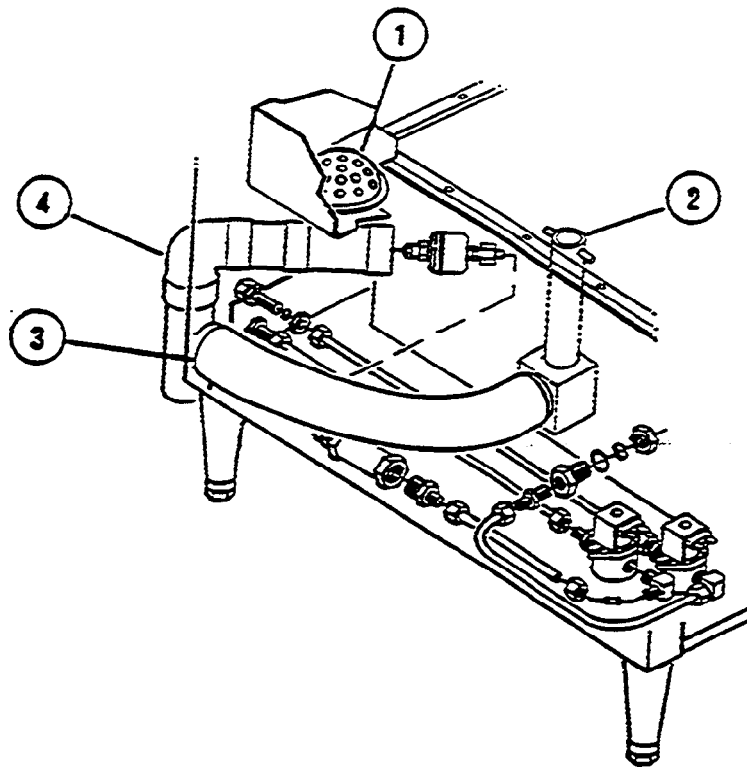
ITEM	PART NO.	DESCRIPTION	QTY
		<b>WATER INLET TO STEAM GENERATOR</b>	
1	101775	Incoming Water Connection, Fitting 1/4", Bulkhead	1
2	102486	Tubing 1/4", Polyethylene	(per ft.)
3	22218	Water Solenoid Valve	1
4	06214	Fitting 90°, 1/4" T x 1/8" P	1
5	102486	Tubing 1/4", Polyethylene	(per ft.)
6	06190	Compression Fitting, 1/4" T x 1/8" P	1
7	101674	Fitting, Steam Generator Inlet	1
8	1013022	O-Ring	1
9	101307	Nut, Steam Generator Inlet Fitting 7/16" x 20	1



NOTE: This system was used on units before S/N C 2937-88F-14

Fig. 14 WATER INLET TO CONDENSER SYSTEM

ITEM	PART NO.	DESCRIPTION	QTY
<b>WATER INLET TO CONDENSER SYSTEM</b>			
1	101775	Incoming Water Connection, Fitting 1/4", Bulkhead	1
2	102486	Tubing 1/4", Polyethylene	(per ft.)
3	22218	Water Solenoid Valve	1
4	06214	Fitting 90°, 1/4" T x 3/8" P	1
5	101774	1/4" Tubing Insert	
6	14661	1/4" Tube Fitting Nut	
7	102486	Tubing 1/4", Polyethylene	(per ft.)
8	06193	Tube Fitting, 1/4" T x 3/8" P	2
9	15463	Flow Regulator, 1/4 GPM	1
10	06190	1/8 - 1/4 Compression Fitting	
11	101258	Condenser Fitting	1
12	14556	Condenser Spray Nozzle	

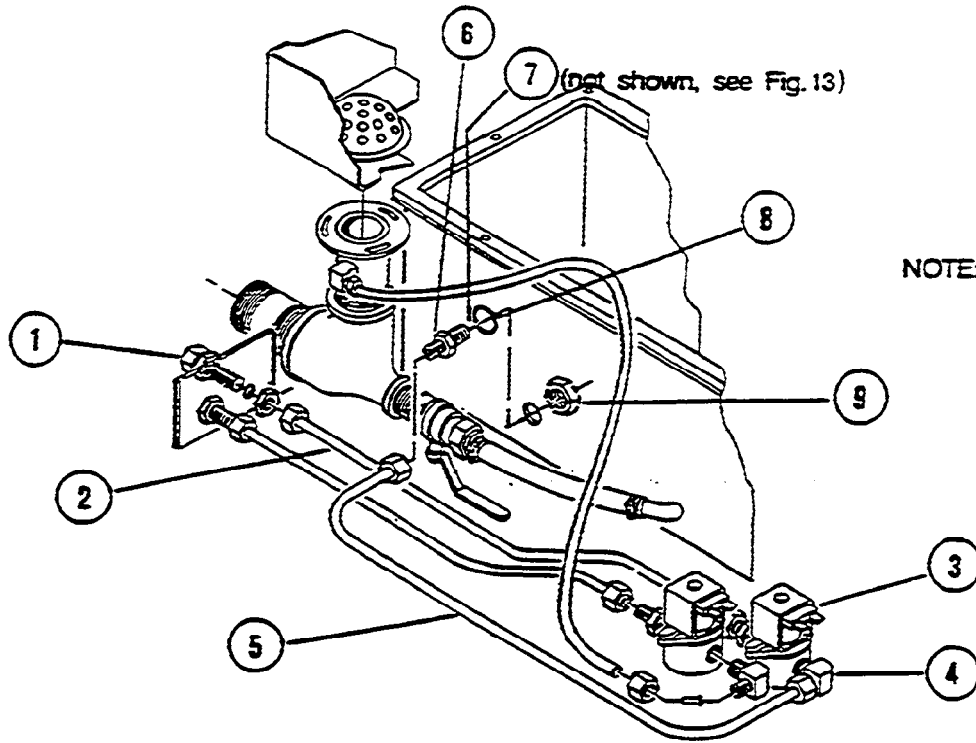


NOTE: This system was used on units before S/N C 2937-88F-14

Fig. 15 DRAINAGE SYSTEM

ITEM	PART NO.	DESCRIPTION	QTY
		<b>DRAINAGE SYSTEM</b>	
1	101735	Inner Drain Screen (should be welded in place)	1
2	101431	Drain Stopper (see note above)	1
3	085051250	Drain Hose (see note above)	1
4	1017461	Drain Assembly (see note above)	1

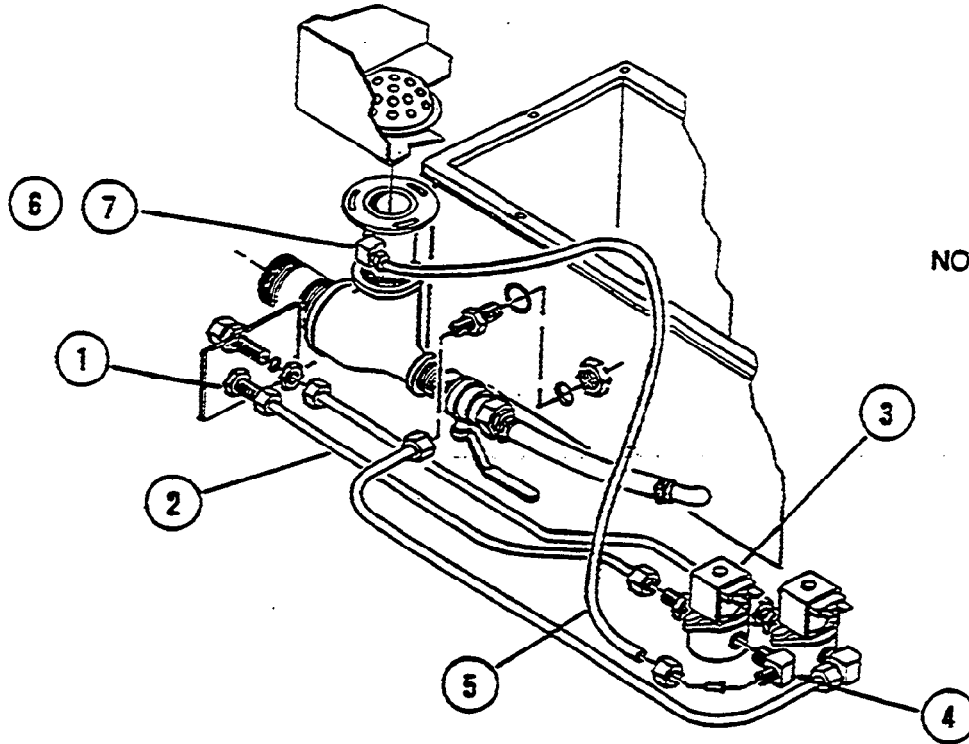




NOTE: This system was used on units after S/N C 2937-88F-13

Fig. 16 COLD WATER INLET TO STEAM GENERATOR

ITEM	PART NO.	DESCRIPTION	QTY
<b>WATER INLET TO CONDENSER SYSTEM</b>			
1	101775	Incoming Water Connection, Fitting 1/4", Bulkhead	1
2	1024862	Tubing 1/4", Polyethylene	24"
3	22218	Water Solenoid Valve	1
4	06214	Fitting 90°, 1/4" T x 1/8" P	1
5	1024861	Tubing 1/4", Polyethylene	18"
6	06190	Compression Fitting, 1/4" T x 1/8" P	1
7	101674	Fitting, Steam Generator Inlet	1
8	1013022	O-Ring	1
9	101307	Nut, Steam Generator Inlet Fitting 7/16" x 20	1



NOTE: This system was used on units after S/N C 2937-88F-13

Fig. 17 COLD WATER INLET TO STEAM GENERATOR

ITEM	PART NO.	DESCRIPTION	QTY
<b>WATER INLET TO CONDENSER SYSTEM</b>			
1	101775	Incoming Water Connection	1
2	1024862	Condenser Tubing	24"
3	22218	Condenser Solenoid Valve 1/4", 120V	1
4	06214	1/4" Tube 90° Compression Fitting, 1/4" MPT	1
5	1024862	Condenser Tubing	24"
6	06231	Fitting, 1/4" tube x 1/8" FPT, 90° Brass	1
7	14497	Nozzle, Condenser, Brass	1

NOTE: This system was used on units after S/N C 2937-88F-13.

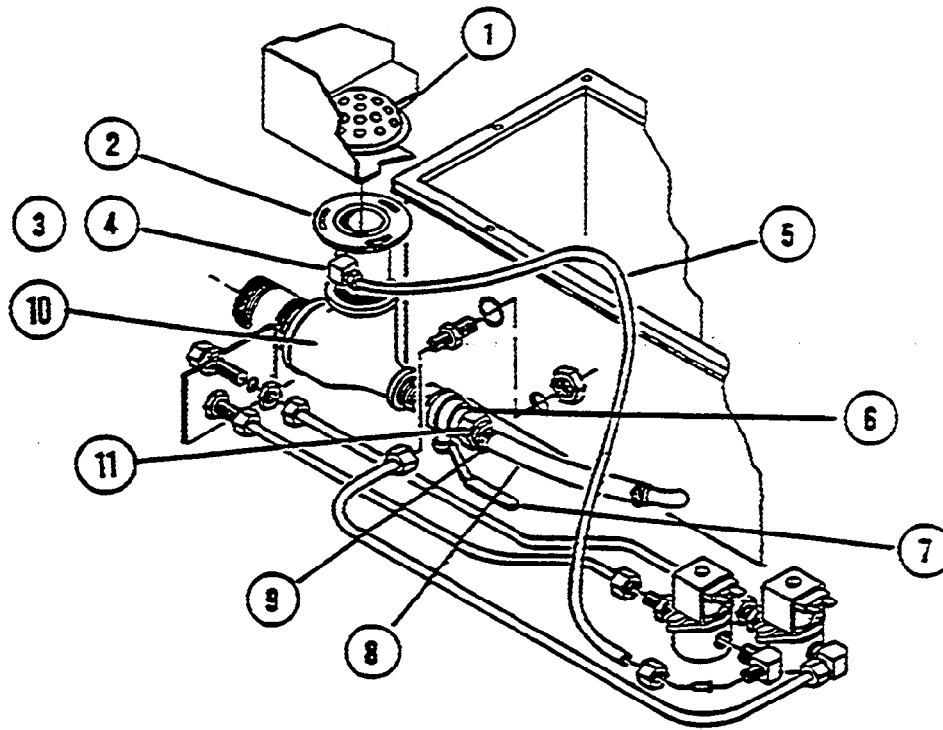
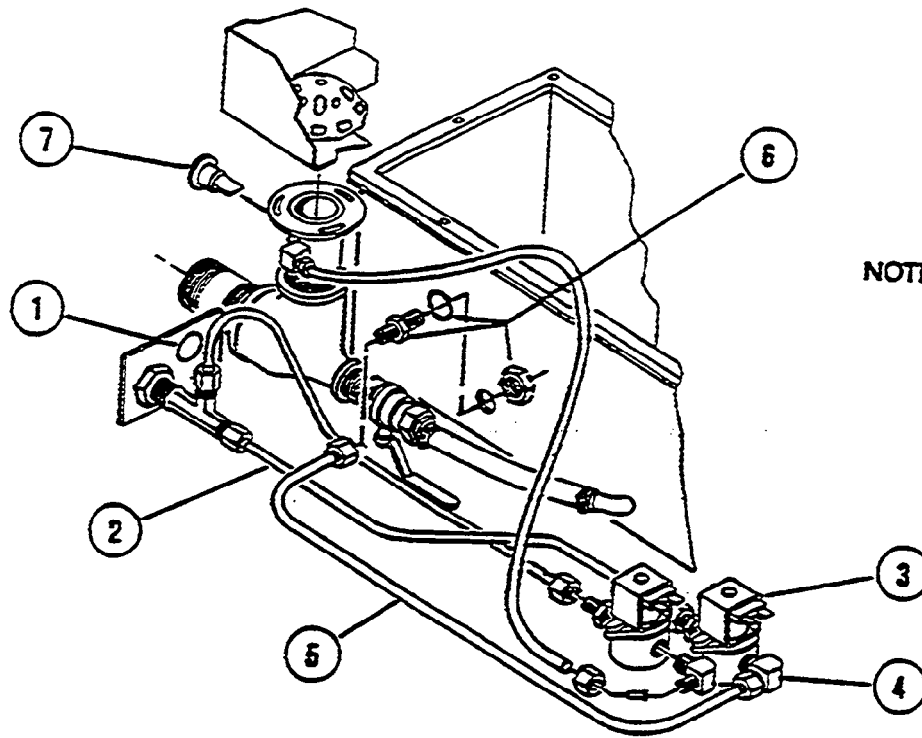


Fig. 18 DRAINAGE SYSTEM

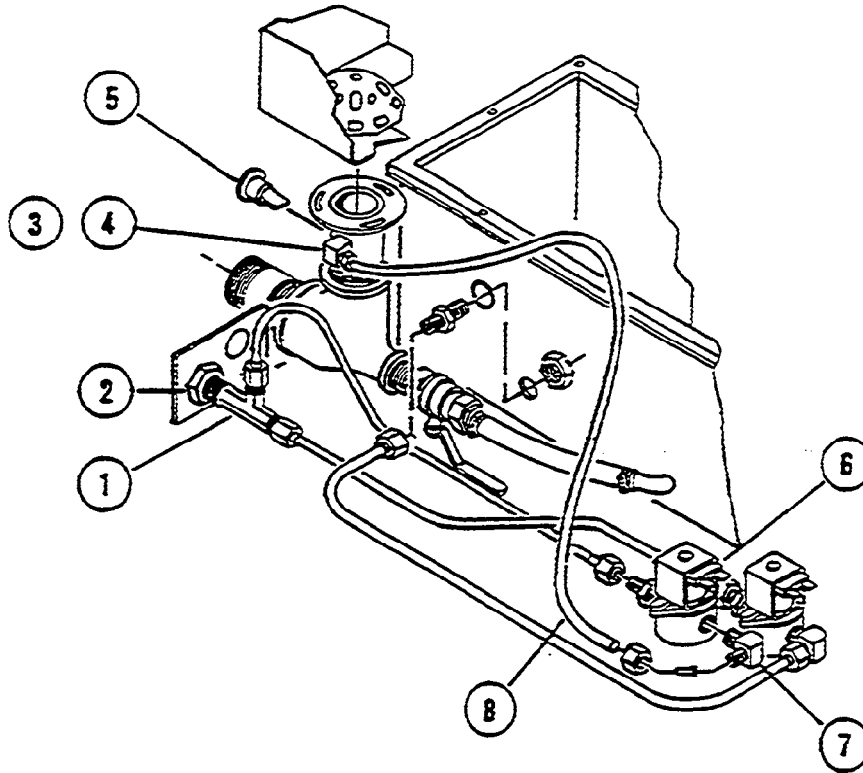
ITEM	PART NO.	DESCRIPTION	QTY
	102030	<b>DRAINAGE SYSTEM</b>	
1	101735	Inner Drain Screen (should be welded in place)	1
2	101970	<b>COMPARTMENT DRAIN ASSEMBLY</b>	
3	06231	Fitting, 1/4" tube x 1/8" FPT, 90° Brass	1
4	14497	Nozzle, Condenser, Brass	1
5	1024862	24" long tube 1/4"	24"
6	22243	Valve, Ball, 1/2" (Drain Valve)	1
7	222431	Drain Valve Handle	1
8	085250500	Hose, 5/8" O.D. x 1/16" w., Translucent Silicone Rubber	
9	03206	Clamp, Hose, Worm Drive, 1/2" x 29/32" dia.	2
10	20230	Tee - Black, 1-1/4" x 1/2" x 1-1/4"	1
11	06249	Fitting, 1/2" MPT x 5/8" I.D., Hose	1



NOTE: This system was used on units after S/N C 5519-88L-16

Fig. 19 COLD WATER INLET TO STEAM GENERATOR

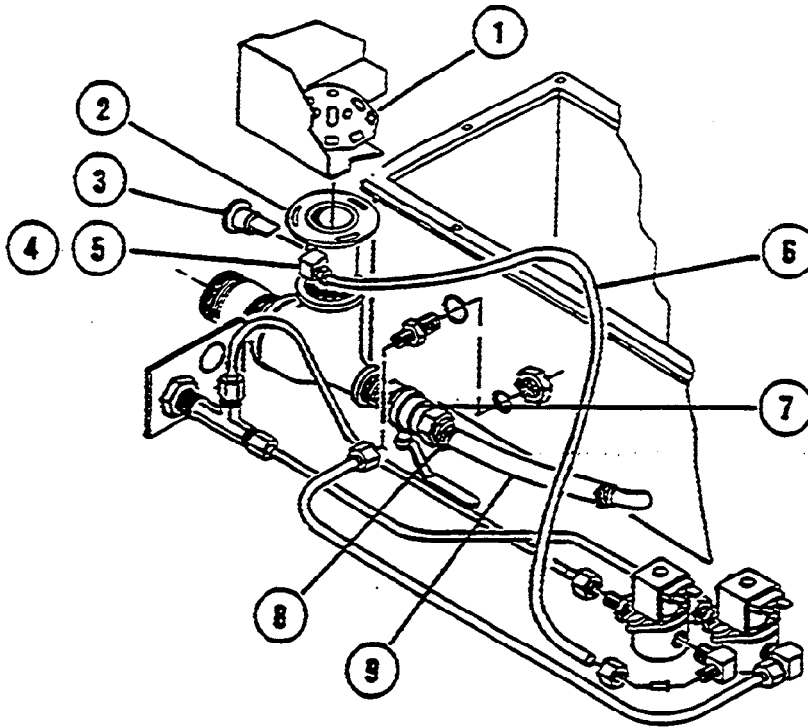
ITEM	PART NO.	DESCRIPTION	QTY
<b>COLD WATER INLET TO STEAM GENERATOR</b>			
1		Hole, location for Water Treatment System (optional)	
2	1024862	Tubing 1/4", Polyethylene	24"
3	22218	Water Solenoid Valve	1
4	06214	Fitting 90°, 1/4" T x 1/8" P	1
5	1024861	Tubing 1/4", Polyethylene	18"
6	102520	Bulkhead Ground, Wire Assembly	1
7	102424	Duckbill	1



NOTE: This system was used on units after S/N C 5519-88L-16

Fig. 20 COLD WATER INLET TO STEAM GENERATOR

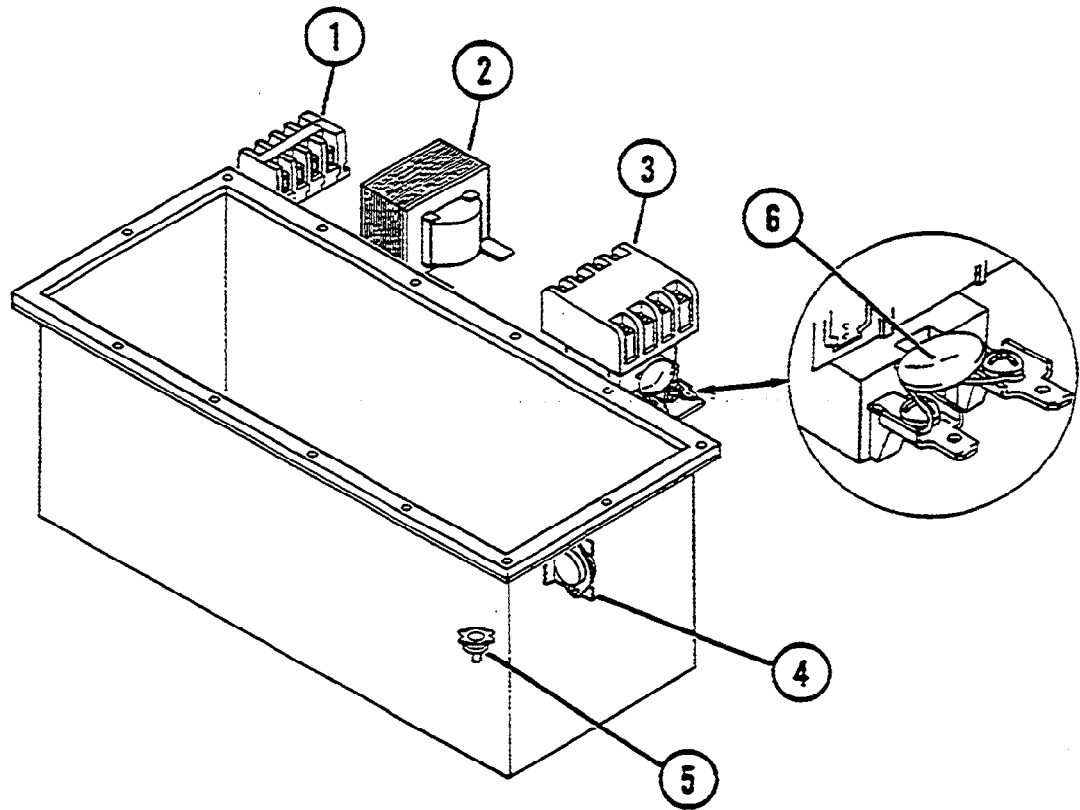
ITEM	PART NO.	DESCRIPTION	QTY
<b>COLD WATER INLET TO STEAM GENERATOR</b>			
1	06188	Tee, 1/4" Male Run, Brass	1
2	03641	Coupling, Bulkhead 1/4" Female	1
3	06231	Fitting, 1/4" tube x 1/8" FPT, 90° Brass	1
4	14497	Nozzle, Condenser, Brass	1
5	102424	Duckbill	1
6	22218	Condenser Solenoid Valve 1/4", 120V	2
7	06214	Fitting, 90°, 1/4" T x 1/8" P	1
8	1024862	Condenser Tubing	24"



NOTE: This system was used on units after S/N C 2937-88F-13

Fig. 21 DRAINAGE SYSTEM

ITEM	PART NO.	DESCRIPTION	QTY
<b>DRAINAGE SYSTEM</b>			
1	1017352	Inner Drain Screen (should be welded in place)	1
<b>DRAIN VALVE ASSEMBLY</b>			
2	102030	Duckbill	1
3	102424	Fitting, 1/4" tube x 1/8" FPT, 90° Brass	1
4	06231	Nozzle, Condenser, Brass	1
5	14497	24" long tube 1/4"	24"
6	1024862	Valve, Ball, 1/2" (Drain Valve)	1
7	22243	Clamp, Hose, - lined worm drive, 1/2" x 29/32" dia.	2
8	03206	Tubing, Braided - 5.00" length	5"
9	085300500		



**Fig. 22 ELECTRICAL COMPONENTS ASSEMBLY**

ITEM	PART NO.	DESCRIPTION	QTY
1	101352	Terminal Block 4 pole *	1
2	101640	150 V.A. Step Down Transformer *	1
3	101899	Contactora, 120 V, 50/60 cycle *	1
4	19980	Thermoswitch (Canadian Units Only) **	1
5	101543	Snap Disc Thermoswitch ***	1
6	102286	Contactora, Varistor 276-568 ****	1

\* Mounted to Base Plate.  
 \*\* Mounted to Steam Generator (Prior to CSA Approval).  
 \*\*\* Mounted to cooking compartment bottom.  
 \*\*\*\* Mounted terminal to terminal on contactora coil.

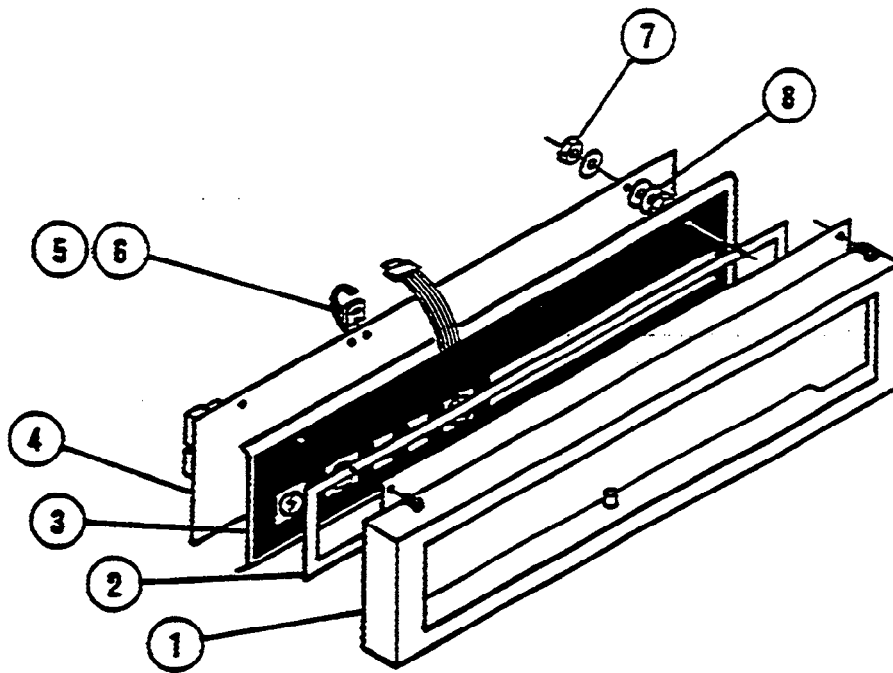


Fig. 23 FRONT CONTROL PANEL ASSEMBLY

ITEM	PART NO.	DESCRIPTION	QTY
	1018743	FRONT CONTROL PANEL ASSMBLY - After S/N 6790-89E-05	
	101874	FRONT CONTROL PANEL ASSMBLY - Before S/N 6790-89E-04	
1	1012921	Front Panel Weldment	1
2	101944	Front Panel Gasket	1
3	1019301	Membrane Switch Assembly	1
4	101606	Control Panel PCB	1
5	101684	Compartment Door Sensor bias Magnet, 1/4"	1
6	101710	Compartment Door Sensor bias Magnet Bracket	1
7	14598	8 x 32 hex nut	12
8	23148	#8 nylon washer	18
<p><b>NOTE:</b> Nuts and/or washers are used to maintain adequate space between support panel and control board.</p>			



NOTE: This system was used on units before S/N C 6100-89B-27.

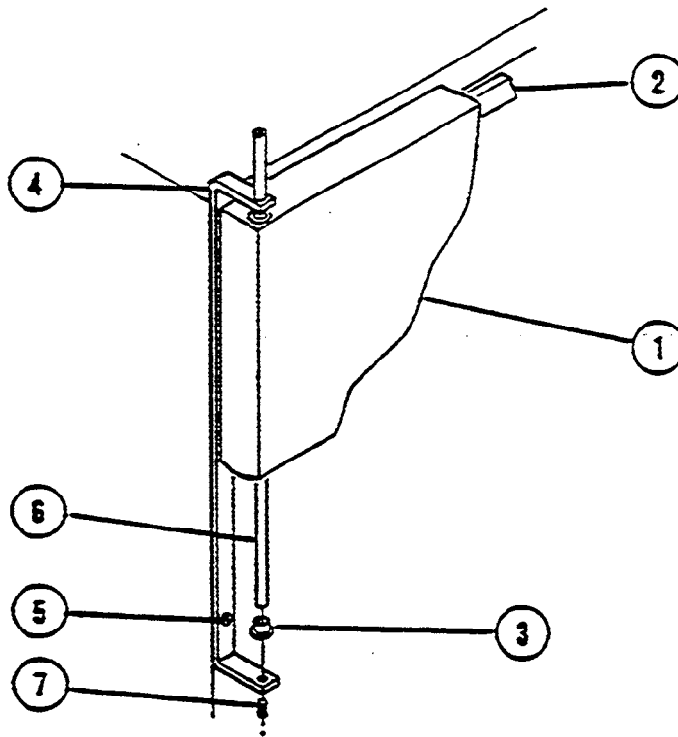
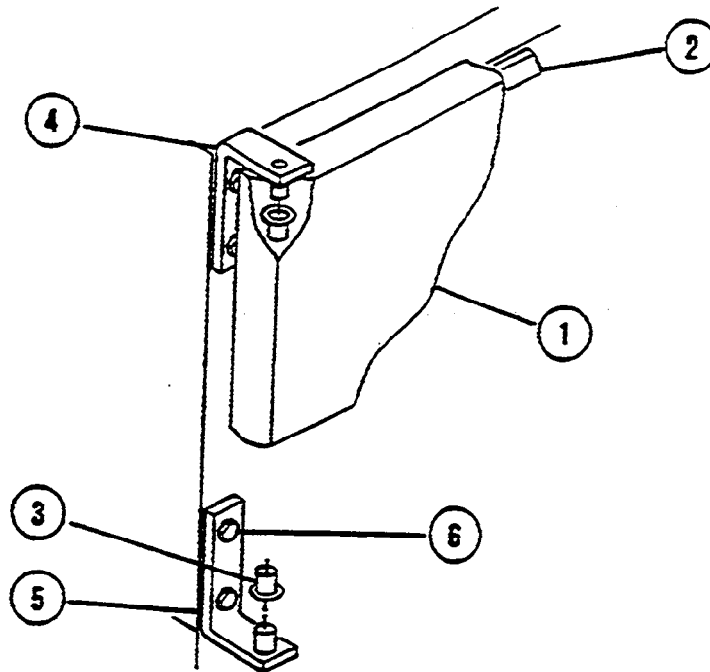


Fig. 24 COMPARTMENT DOOR AND HINGE ASSEMBLIES

ITEM	PART NO.	DESCRIPTION	QTY
<b>DOOR ASSEMBLY, COMPARTMENT</b>			
1	101772	Compartment Door Assembly, hinged left (standard)	1
2	101237	Door Gasket	1
3	101299	Nylon, Flanged Bushing	2
	1017721	Compartment Door Assembly, hinged right (optional)	1
<b>COMPARTMENT DOOR HINGE ASSEMBLY</b>			
4	101269	Compartment Door Hinge Bracket	1
5	101334	10 x 32 Pan Head Screw	2
6	101259	Compartment Door Hinge Rod	1
7	101270	10 x 32 x 1/2" Hex Head Screw	1



NOTE: This system was used on units after S/N C 6100-89B-27

Fig. 25 COMPARTMENT DOOR and HINGE ASSEMBLIES

ITEM	PART NO.	DESCRIPTION	QTY
<b>COMPARTMENT DOOR ASSEMBLY</b>			
1	101772	Compartment Door Assembly, hinged left (standard)	1
2	101237	Door Gasket	1
3	101299	Nylon, Flanged Bushing	2
	1017721	Compartment Door Assembly, hinged right (optional)	1
<b>COMPARTMENT DOOR HINGE ASSEMBLY</b>			
4	102000	Hinge Assembly, Top Left	1
	101998	Hinge, Door, Top Left	
5	102001	Hinge Assembly, Bottom Left	1
	101999	Hinge, Door, Bottom Left	
6	102129	Screw, 1/4"-28x1/2" Hex HD S/S	4

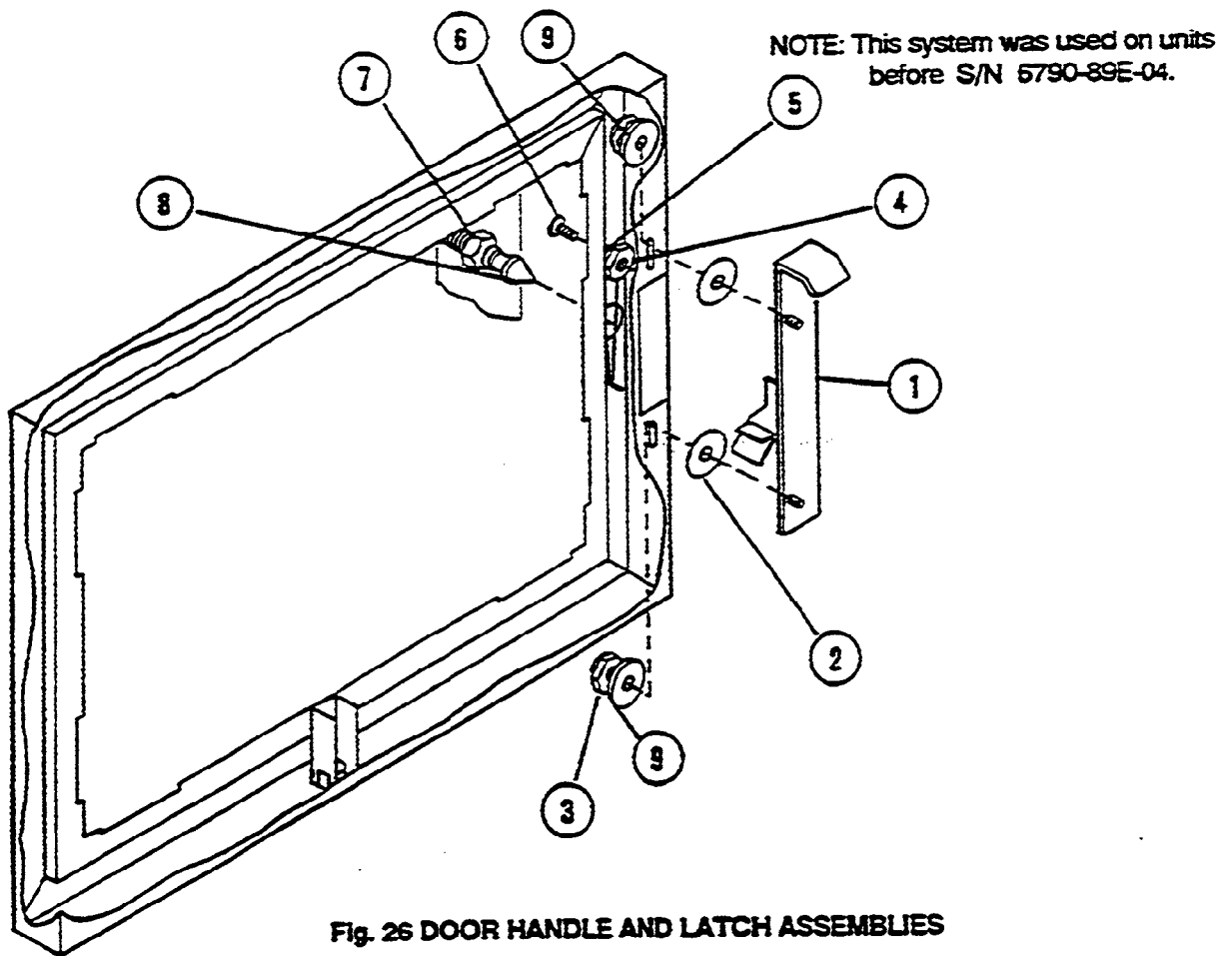


Fig. 26 DOOR HANDLE AND LATCH ASSEMBLIES

ITEM	PART NO.	DESCRIPTION	QTY
<b>DOOR HANDLE and LATCH ASSEMBLIES</b>			
1	101277	Handle, Door Assembly	1
2	101284	Washer, Teflon, Door Handle	4
3	101873	Nut, 1/4"-20 Hex elastic lock	2
4	101255	Nut, Spring	1
5	101260	Spring, Door Latch	1
6	101334	Screw #10-32 x 1/2" Slotted Pan Head S/S	1
7	101253	Nut, Jam, Door Strike Pin 3/8-24	1
8	101256	Strike Pin, Door	1
9	23116	Washer	2

NOTES:

1. This system was used on units after S/N 6790-89E-05.
2. All units with this style door use control panel P/N 1018743.

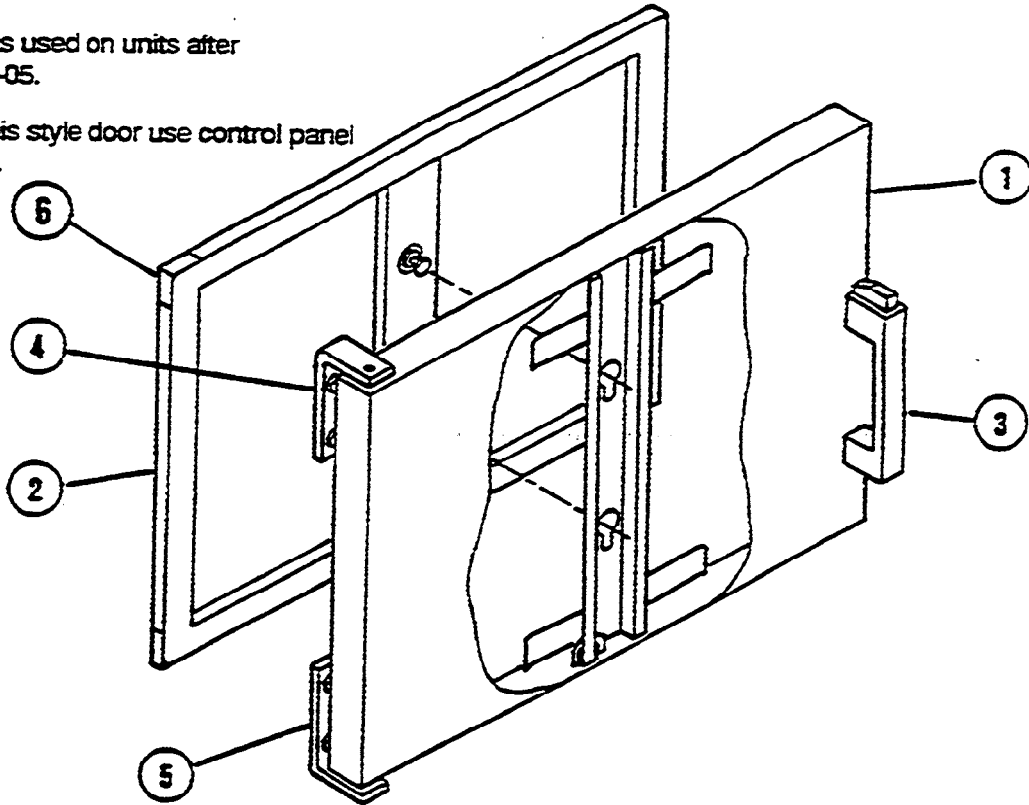


Fig. 27 DOOR ASSEMBLY

ITEM	PART NO.	DESCRIPTION	QTY
1	102240 1022401	DOOR ASSEMBLY Hinged Left Hinged Right	1
1	102237 1022371	OUTER DOOR Hinged Left Hinged Right	1
2	102239	INNER DOOR Hinged Left and Hinged Right	1
3	102231	Handle	1
4	102000 101998	HINGE ASSEMBLY, TOP LEFT Hinge, Door, Top Left	1
5	102001 101999	HINGE ASSEMBLY, BOTTOM LEFT Hinge, Door, Bottom Left	1
6	101237	Door Gasket	1

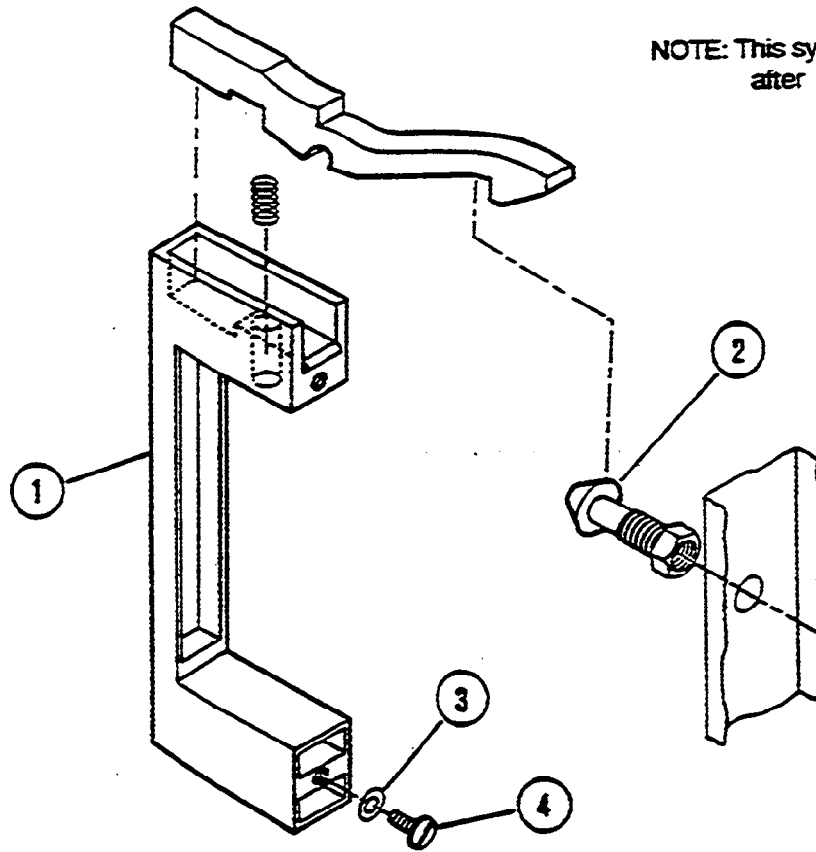
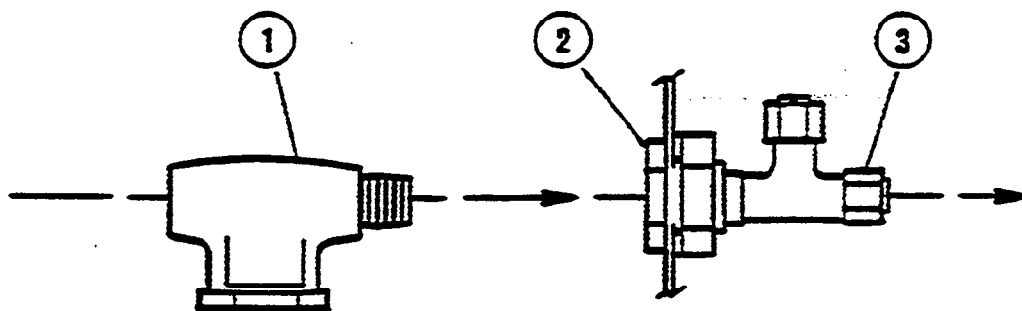


Fig. 28 HANDLE AND LATCH ASSEMBLY

ITEM	PART NO.	DESCRIPTION	QTY
1	102231	DOOR HANDLE ASSEMBLY	1
2	102241	Door Striker	1
3	23114	Washer #10-Int Tooth Lock S/S	2
4	101334	Screw #10-32 x 1/2 S/S Pan Head	2



**Fig. 29 COLD WATER INLET STRAINER ASSEMBLY**

ITEM	PART NO.	DESCRIPTION	QTY
	102383	COLD WATER INLET STRAINER ASSEMBLY	1
1	19870	Strainer, 1/4"	1
2	03641	Coupling, Bulkhead 1/4" Female	1
3	06188	Tee, Tubing Male Fitting	1

### Miscellaneous Parts List

<u>Description</u>	<u>Number</u>
Steam Generator Cover Assembly . . . . .	.101288
Pan Racks . . . . .	.414231
Wire Harness:	
Terminal Block to Contactor . . . . .	.101908
Contactor to Heater . . . . .	.101907
Control Circuit . . . . .	.101919
Leg, 4" . . . . .	.101450

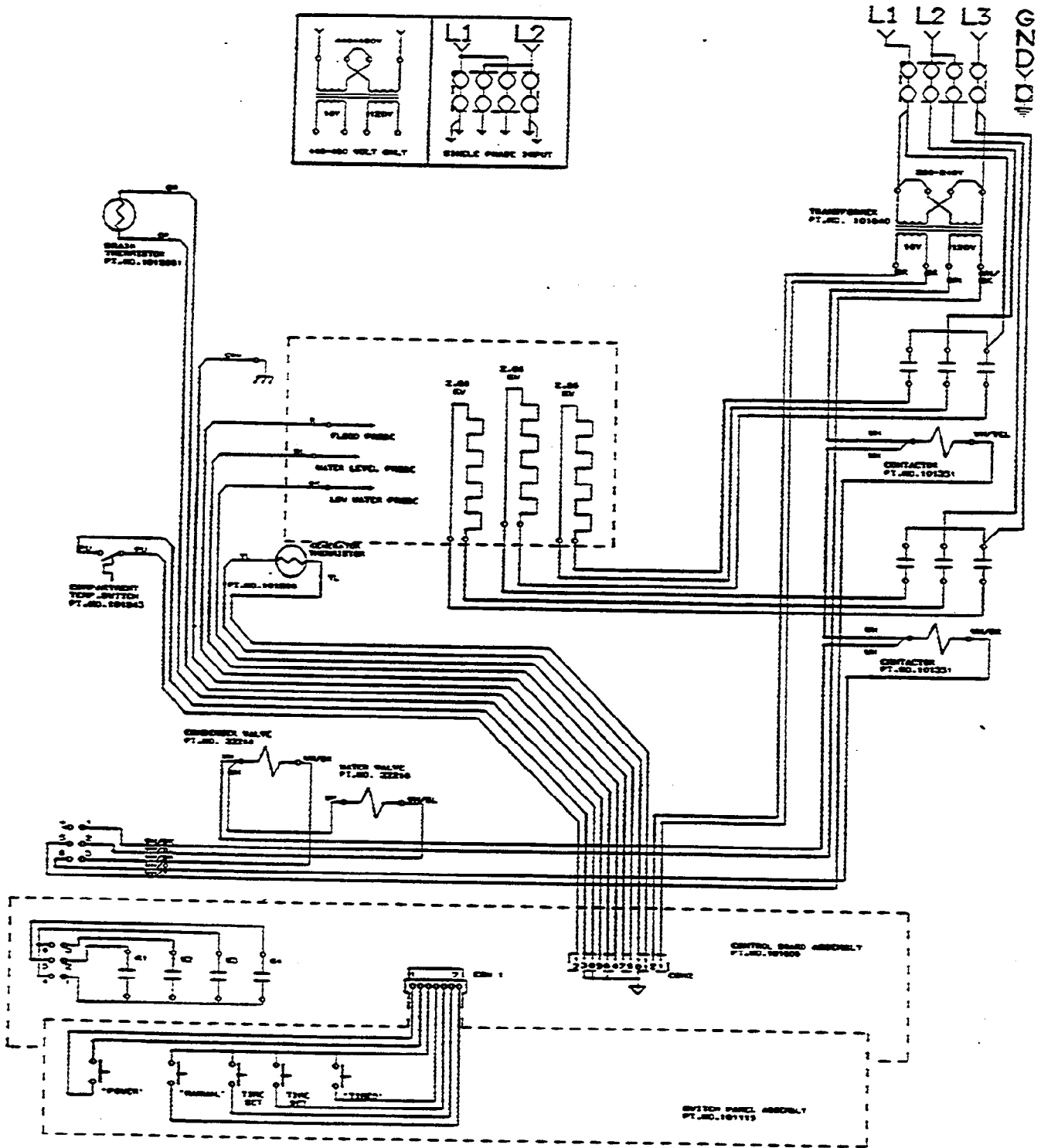


Fig.30 With 2 Thermistors and 2 Contactors



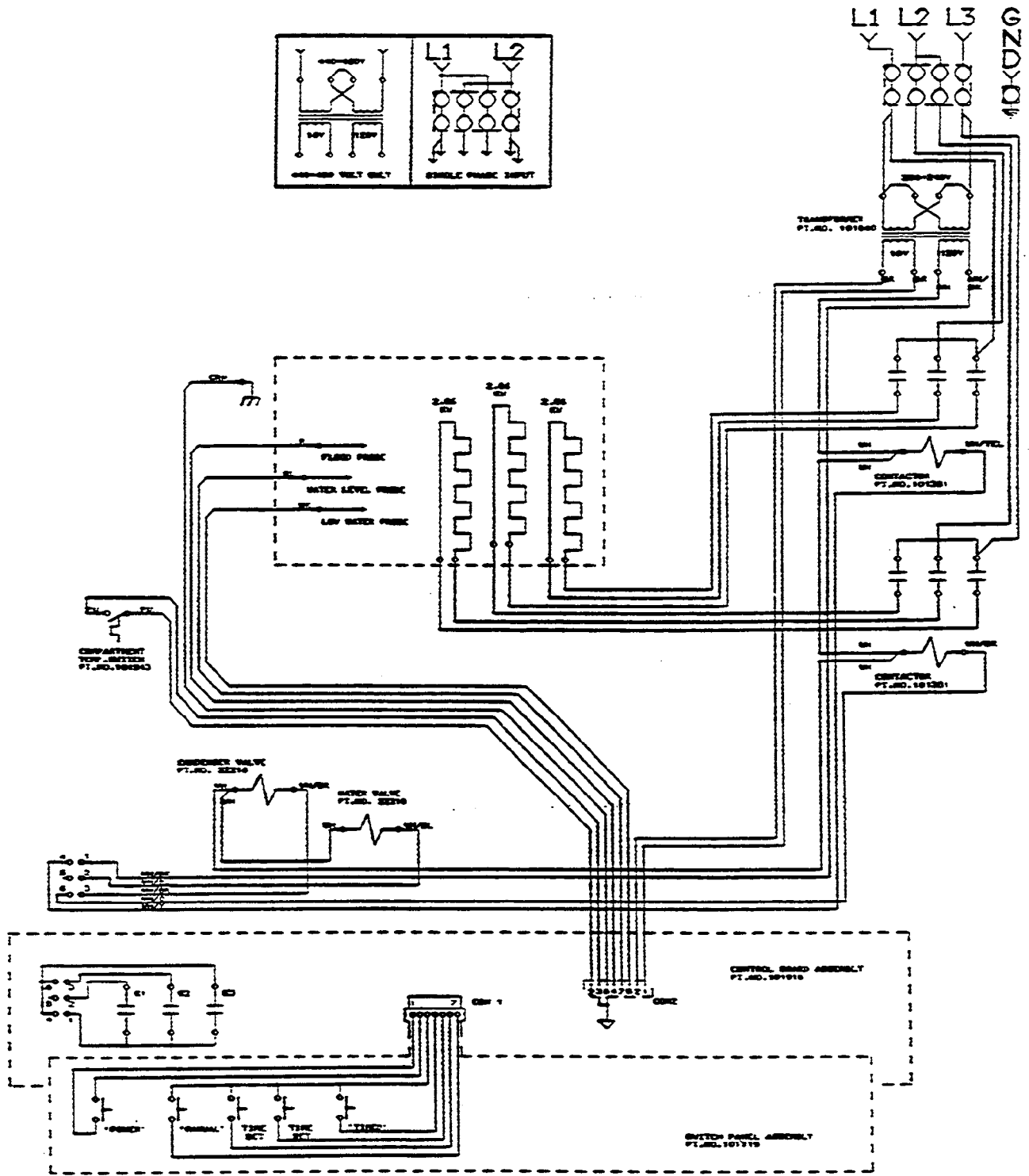


Fig.31 With No Thermistors and 2 Contactors

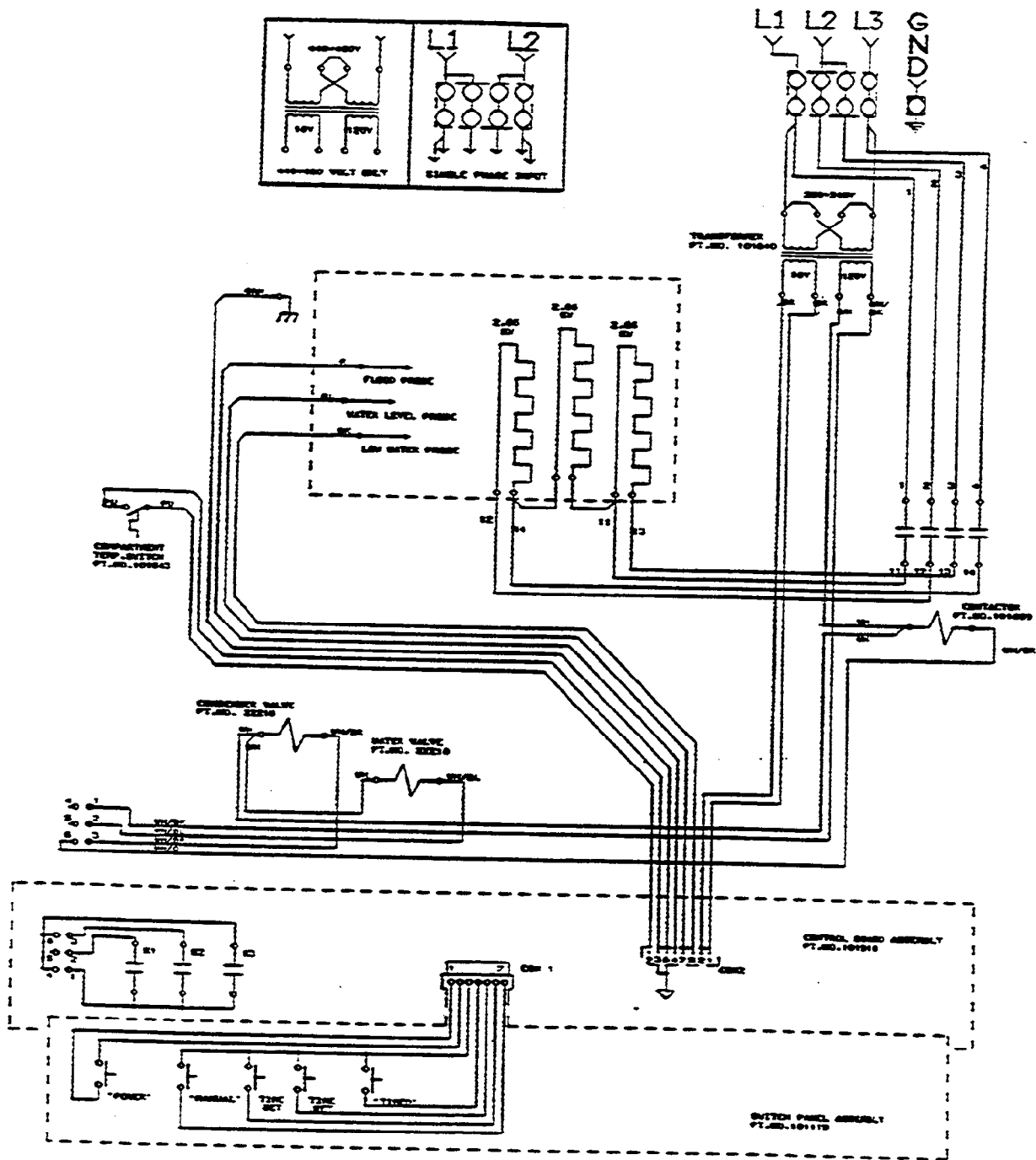


Fig. 32 With No Thermistors and 1 Contactor  
 (For Current Domestic Production)

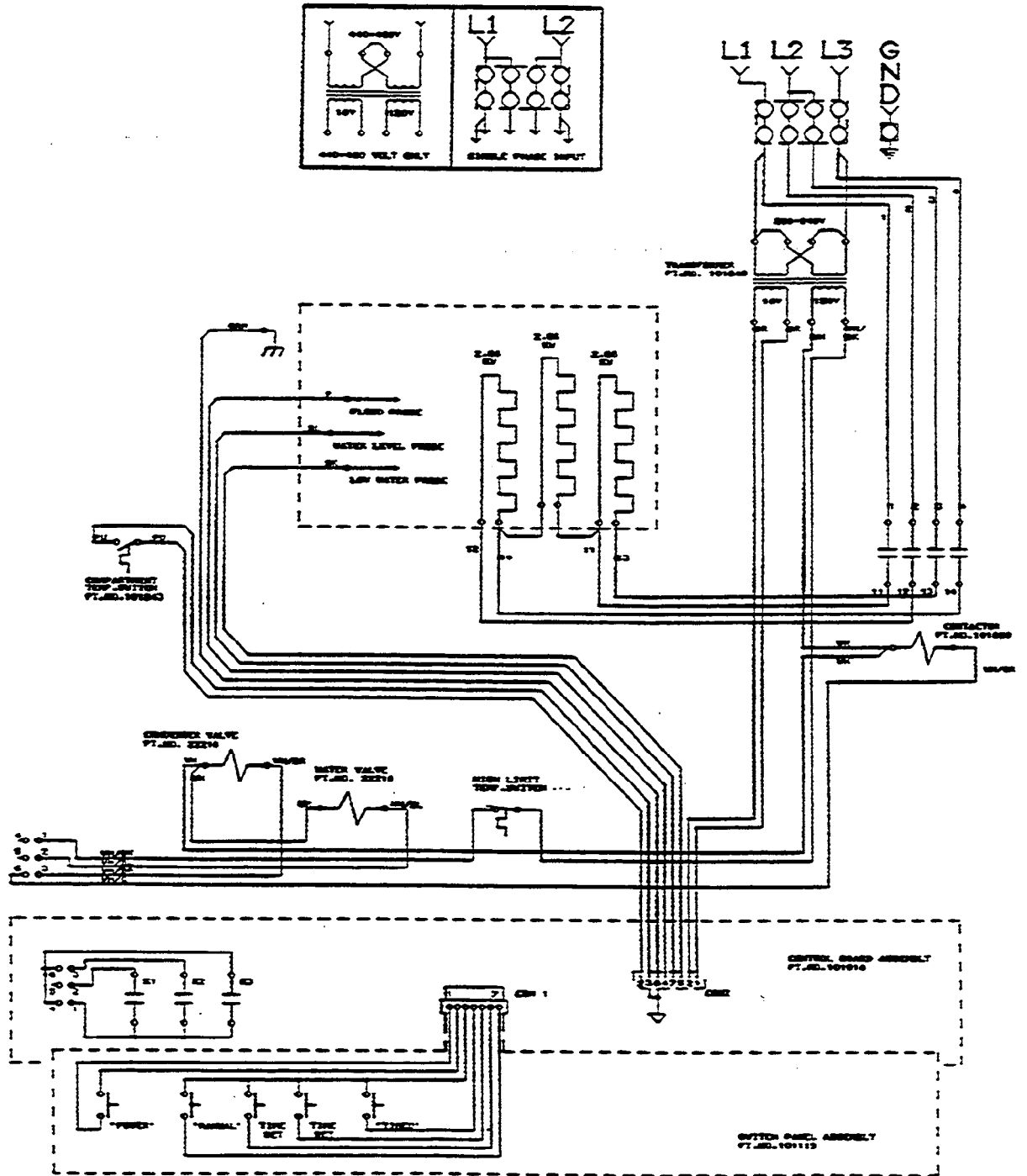


Fig. 33 With No Thermistors, 1 Contactor, 1 High Limit Thermostatic Switch  
(Canadian Units Only)

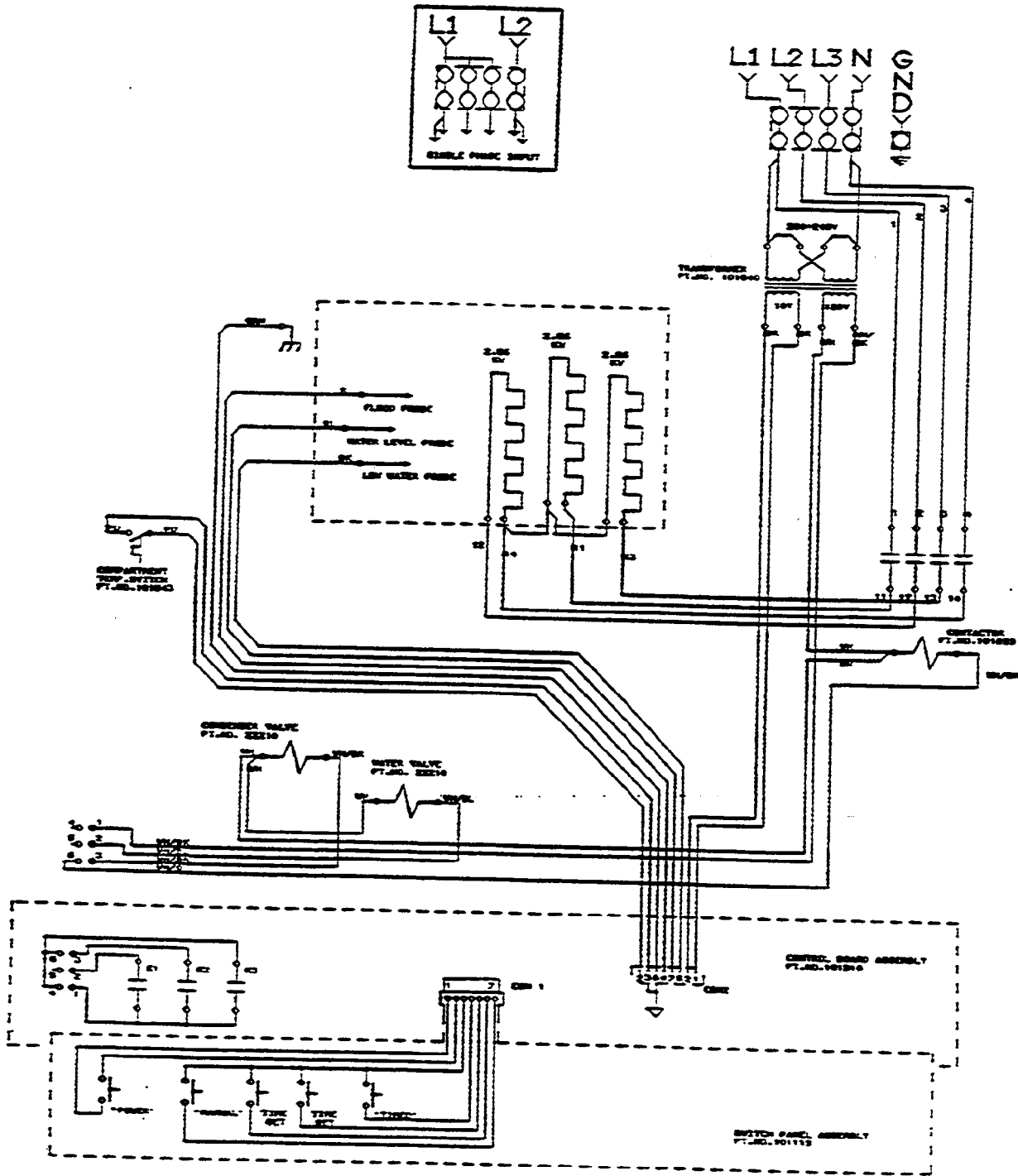


Fig. 34 Current Export Wiring Diagram

## Free Manuals Download Website

<http://myh66.com>

<http://usermanuals.us>

<http://www.somanuals.com>

<http://www.4manuals.cc>

<http://www.manual-lib.com>

<http://www.404manual.com>

<http://www.luxmanual.com>

<http://aubethermostatmanual.com>

Golf course search by state

<http://golfingnear.com>

Email search by domain

<http://emailbydomain.com>

Auto manuals search

<http://auto.somanuals.com>

TV manuals search

<http://tv.somanuals.com>