



STEAMCHEF™ CONVECTION STEAMERS

**SteamChef™ 3 & 6  
Equipment Stands**

OPEN TYPE STAND,  
ALL STAINLESS STEEL,



- MODELS:**  ES222834 - Economy Stand used for a single unit  
 ES222834PR - Deluxe Stand used for a single unit  
 ES222824S - Stacking Stand used for stacking two 22CET3.1  
 ES263044 - Stacking Stand used for stacking two 22CET6.1

**Cleveland Standard Features**

- Preset mounting holes for positioning unit into proper location
- All stainless steel welded construction with:
  - 1 1/4" square tubing for ES222834, ES222834PR and ES222824S
  - 1 1/2" square tubing ES263044
- Level adjustable feet (rear feet are flanged for floor bolting)

**Deluxe Stacking Stand**

**ES222824PR -**

Comes with bottom shelf and can accommodate two sets of pan racks (one set pan racks included)

ITEM NUMBER \_\_\_\_\_

JOB NAME / NUMBER \_\_\_\_\_

**Combination Units**



(2) ES222844S

**(2) 22CET3.1**

Requires field installation. This combination includes the following items:

- 2-each 22CET3.1 **SteamChef™** Counter Top Steamers
- 1-each ChefStackIt Direct Stacking Kit and install hardware
- Common drain and water connection manifold
- 1-each ES222824S Equipment Stacking Stand

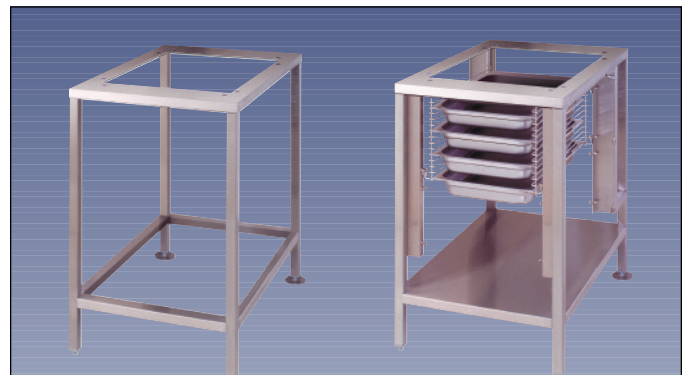


(2) ES263044

**(2) 22CET6.1**

Requires field installation. This combination includes the following items:

- 2-each 22CET6.1 **SteamChef™** Counter Top Steamers
- Common drain and water connection manifold
- 1-each ES263044 Equipment Stacking Stand

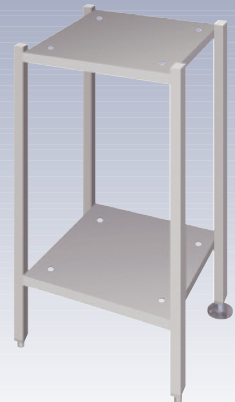


ES222834 Economy Style Stand  
(For mounting one 22CET3.1 or one 22CET6.1)

ES222834PR Deluxe Style Stand  
(For mounting one 22CET3.1 or one 22CET6.1)



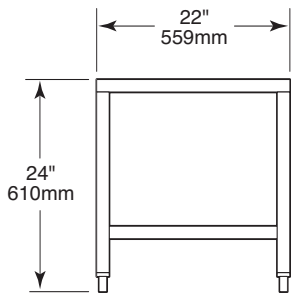
ES222824S  
(For stacking two 22CET3.1)



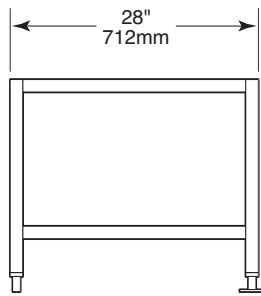
ES263044  
(For stacking two 22CET6.1)

**Short Form Specifications**

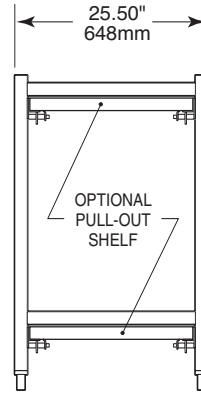
Shall be CLEVELAND, ES \_\_\_\_\_ open type Equipment Stands for mounting one or two **SteamChef™ 3's** or **6's**. All Stainless Steel welded construction with; 1 1/4" square tubing for ES222834, ES222834PR and ES222824S; 1 1/2" square tubing ES263044. Furnished with Level Adjustable Feet (rear feet are flanged for floor bolting). Preset mounting Holes for positioning unit into proper location.



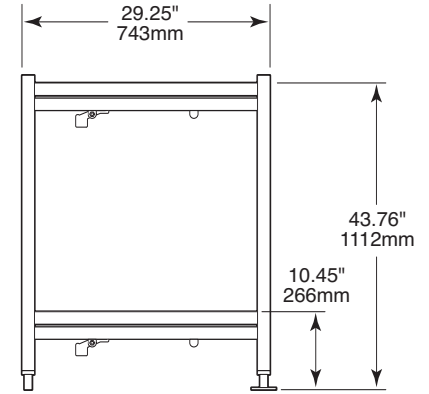
FRONT VIEW



RIGHT SIDE VIEW



FRONT VIEW

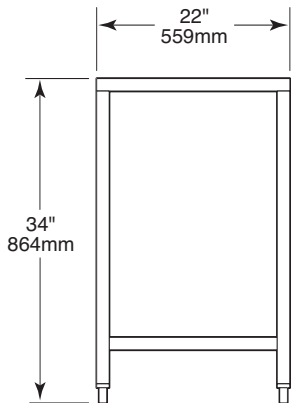


RIGHT SIDE VIEW

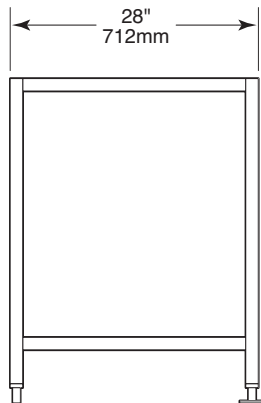
**MODEL: ES222824S**  
 STACKING STAND  
 USED FOR STACKING  
 TWO 22CET3.1



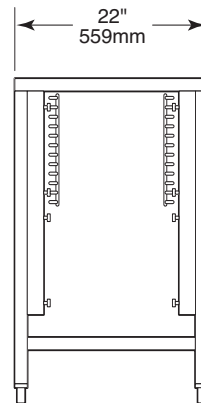
**MODEL: ES263044**  
 STACKING STAND  
 USED FOR STACKING  
 TWO 22CET6.1



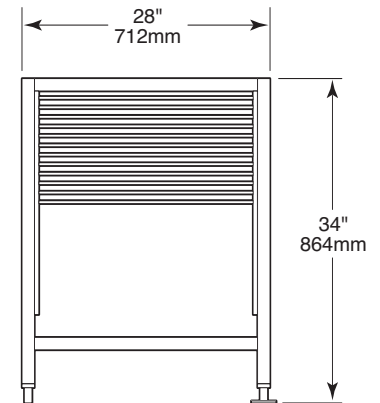
FRONT VIEW



RIGHT SIDE VIEW



FRONT VIEW



RIGHT SIDE VIEW

**MODEL: ES222834**  
 ECONOMY STYLE STAND  
 USED FOR MOUNTING  
 ONE SINGLE UNIT 22CET3.1  
 or  
 ONE SINGLE UNIT 22CET6.1



**MODEL: ES222834PR**  
 DELUXE STYLE STAND  
 USED FOR MOUNTING  
 ONE SINGLE UNIT 22CET3.1  
 or  
 ONE SINGLE UNIT 22CET6.1



## Free Manuals Download Website

<http://myh66.com>

<http://usermanuals.us>

<http://www.somanuals.com>

<http://www.4manuals.cc>

<http://www.manual-lib.com>

<http://www.404manual.com>

<http://www.luxmanual.com>

<http://aubethermostatmanual.com>

Golf course search by state

<http://golfingnear.com>

Email search by domain

<http://emailbydomain.com>

Auto manuals search

<http://auto.somanuals.com>

TV manuals search

<http://tv.somanuals.com>