

# Parts Manual

## Floor Type Gas Convection Steamer



### Series: Classic Gas Boiler Base Steamer

1333 East 179<sup>th</sup> Street  
Cleveland, Ohio 44110

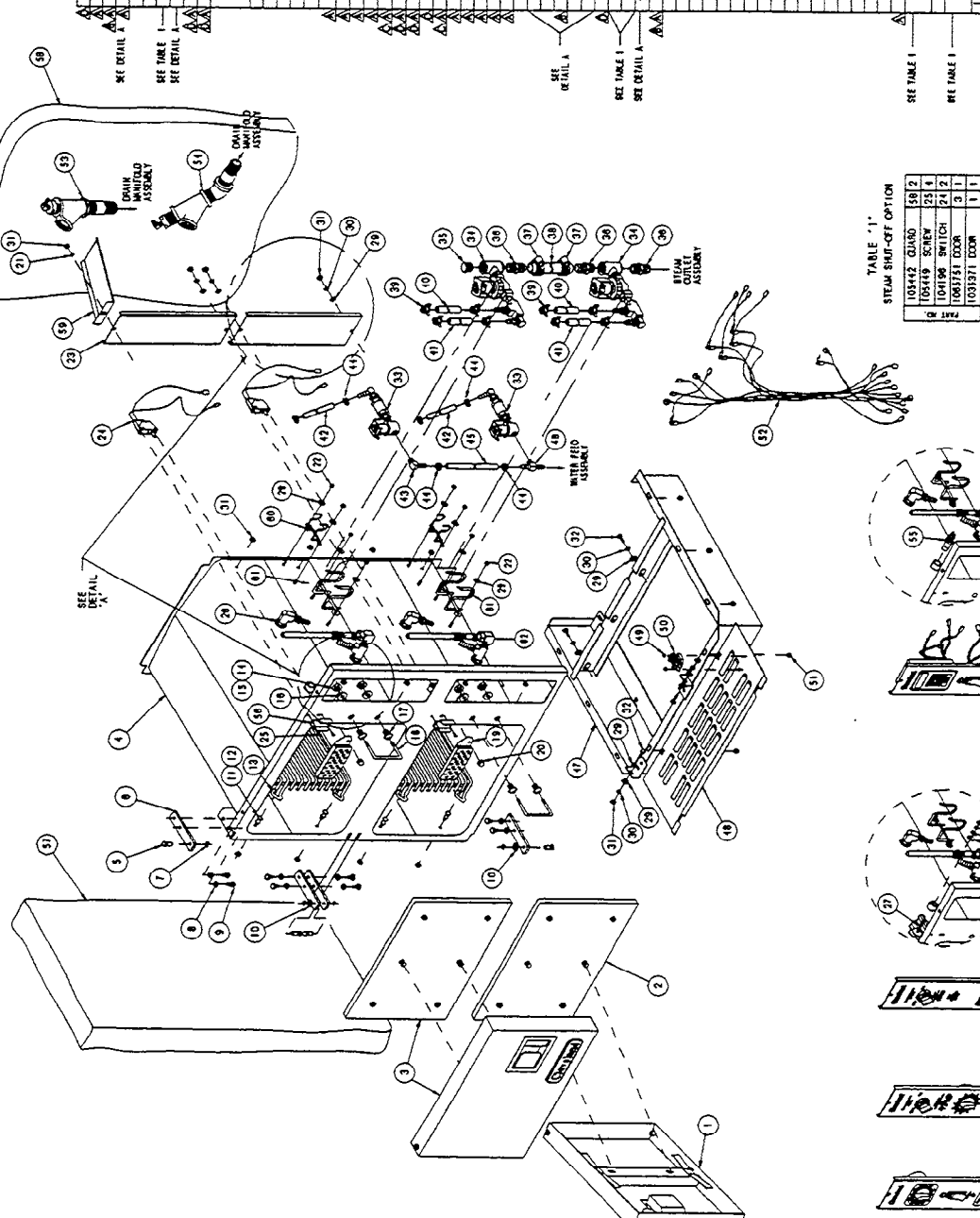
Phone: (216) 481-4900  
1-800-338-2204

Fax: (216) 481-3782  
[www.clevelandrange.com](http://www.clevelandrange.com)

 Cleveland

LET.	REVISIONS	DATE	BY
A	SEE E.O. 12-2587	03-01-94	PJD
B	SEE E.O. 12-2579 R1	05-24-94	PJD
C	SEE E.O. 12-2579 R2	07-22-94	PJD
D	SEE E.O. 12-2579 R3	07-22-94	PJD

ITEM NO.	DESCRIPTION	QTY	UNIT
1	DRINK WATER ASSEMBLY	1	EA
2	DRINK WATER ASSEMBLY	1	EA
3	DRINK WATER ASSEMBLY	1	EA
4	DRINK WATER ASSEMBLY	1	EA
5	DRINK WATER ASSEMBLY	1	EA
6	DRINK WATER ASSEMBLY	1	EA
7	DRINK WATER ASSEMBLY	1	EA
8	DRINK WATER ASSEMBLY	1	EA
9	DRINK WATER ASSEMBLY	1	EA
10	DRINK WATER ASSEMBLY	1	EA
11	DRINK WATER ASSEMBLY	1	EA
12	DRINK WATER ASSEMBLY	1	EA
13	DRINK WATER ASSEMBLY	1	EA
14	DRINK WATER ASSEMBLY	1	EA
15	DRINK WATER ASSEMBLY	1	EA
16	DRINK WATER ASSEMBLY	1	EA
17	DRINK WATER ASSEMBLY	1	EA
18	DRINK WATER ASSEMBLY	1	EA
19	DRINK WATER ASSEMBLY	1	EA
20	DRINK WATER ASSEMBLY	1	EA
21	DRINK WATER ASSEMBLY	1	EA
22	DRINK WATER ASSEMBLY	1	EA
23	DRINK WATER ASSEMBLY	1	EA
24	DRINK WATER ASSEMBLY	1	EA
25	DRINK WATER ASSEMBLY	1	EA
26	DRINK WATER ASSEMBLY	1	EA
27	DRINK WATER ASSEMBLY	1	EA
28	DRINK WATER ASSEMBLY	1	EA
29	DRINK WATER ASSEMBLY	1	EA
30	DRINK WATER ASSEMBLY	1	EA
31	DRINK WATER ASSEMBLY	1	EA
32	DRINK WATER ASSEMBLY	1	EA
33	DRINK WATER ASSEMBLY	1	EA
34	DRINK WATER ASSEMBLY	1	EA
35	DRINK WATER ASSEMBLY	1	EA
36	DRINK WATER ASSEMBLY	1	EA
37	DRINK WATER ASSEMBLY	1	EA
38	DRINK WATER ASSEMBLY	1	EA
39	DRINK WATER ASSEMBLY	1	EA
40	DRINK WATER ASSEMBLY	1	EA
41	DRINK WATER ASSEMBLY	1	EA
42	DRINK WATER ASSEMBLY	1	EA
43	DRINK WATER ASSEMBLY	1	EA
44	DRINK WATER ASSEMBLY	1	EA
45	DRINK WATER ASSEMBLY	1	EA
46	DRINK WATER ASSEMBLY	1	EA
47	DRINK WATER ASSEMBLY	1	EA
48	DRINK WATER ASSEMBLY	1	EA
49	DRINK WATER ASSEMBLY	1	EA
50	DRINK WATER ASSEMBLY	1	EA
51	DRINK WATER ASSEMBLY	1	EA
52	DRINK WATER ASSEMBLY	1	EA
53	DRINK WATER ASSEMBLY	1	EA
54	DRINK WATER ASSEMBLY	1	EA
55	DRINK WATER ASSEMBLY	1	EA
56	DRINK WATER ASSEMBLY	1	EA
57	DRINK WATER ASSEMBLY	1	EA
58	DRINK WATER ASSEMBLY	1	EA
59	DRINK WATER ASSEMBLY	1	EA
60	DRINK WATER ASSEMBLY	1	EA
61	DRINK WATER ASSEMBLY	1	EA
62	DRINK WATER ASSEMBLY	1	EA
63	DRINK WATER ASSEMBLY	1	EA
64	DRINK WATER ASSEMBLY	1	EA
65	DRINK WATER ASSEMBLY	1	EA
66	DRINK WATER ASSEMBLY	1	EA
67	DRINK WATER ASSEMBLY	1	EA
68	DRINK WATER ASSEMBLY	1	EA
69	DRINK WATER ASSEMBLY	1	EA
70	DRINK WATER ASSEMBLY	1	EA
71	DRINK WATER ASSEMBLY	1	EA
72	DRINK WATER ASSEMBLY	1	EA
73	DRINK WATER ASSEMBLY	1	EA
74	DRINK WATER ASSEMBLY	1	EA
75	DRINK WATER ASSEMBLY	1	EA
76	DRINK WATER ASSEMBLY	1	EA
77	DRINK WATER ASSEMBLY	1	EA
78	DRINK WATER ASSEMBLY	1	EA
79	DRINK WATER ASSEMBLY	1	EA
80	DRINK WATER ASSEMBLY	1	EA
81	DRINK WATER ASSEMBLY	1	EA
82	DRINK WATER ASSEMBLY	1	EA
83	DRINK WATER ASSEMBLY	1	EA
84	DRINK WATER ASSEMBLY	1	EA
85	DRINK WATER ASSEMBLY	1	EA
86	DRINK WATER ASSEMBLY	1	EA
87	DRINK WATER ASSEMBLY	1	EA
88	DRINK WATER ASSEMBLY	1	EA
89	DRINK WATER ASSEMBLY	1	EA
90	DRINK WATER ASSEMBLY	1	EA
91	DRINK WATER ASSEMBLY	1	EA
92	DRINK WATER ASSEMBLY	1	EA
93	DRINK WATER ASSEMBLY	1	EA
94	DRINK WATER ASSEMBLY	1	EA
95	DRINK WATER ASSEMBLY	1	EA
96	DRINK WATER ASSEMBLY	1	EA
97	DRINK WATER ASSEMBLY	1	EA
98	DRINK WATER ASSEMBLY	1	EA
99	DRINK WATER ASSEMBLY	1	EA
100	DRINK WATER ASSEMBLY	1	EA



TOLERANCES UNLESS OTHERWISE SPECIFIED	SCALE	DATE	REV.
± 1/32"	AS SHOWN	11-02-93	D
± 1/64"			
± 1/8"			

CLEVELAND RANGE INC.  
 1333 East 178th St. Cleveland, Ohio 44110-2574

DRAWN BY: [ ]  
 CHECKED BY: [ ]  
 APPROVED BY: [ ]

TITLE: CONNECTION H.L., FINAL ASSEMBLY PRODUCTION, ALL OPTIONS

DATE: 11-02-93  
 REV: D

ITEM NO.	DESCRIPTION	QTY	UNIT
104929	MECHANICAL CONTROL	1	EA
104931	CONTROL WITH BELL	1	EA
104932	CONTROL	1	EA
104930	ELECTRONIC CONTROL	1	EA
104933	CONTROL	1	EA

ITEM 59 (MOISTURE SHIELD) ELECTRONIC OPTION ONLY

ITEM OPTIONS - DETAIL A

104932 THERMAL SWITCH CLOSURE (MECHANICAL & ON/OFF)

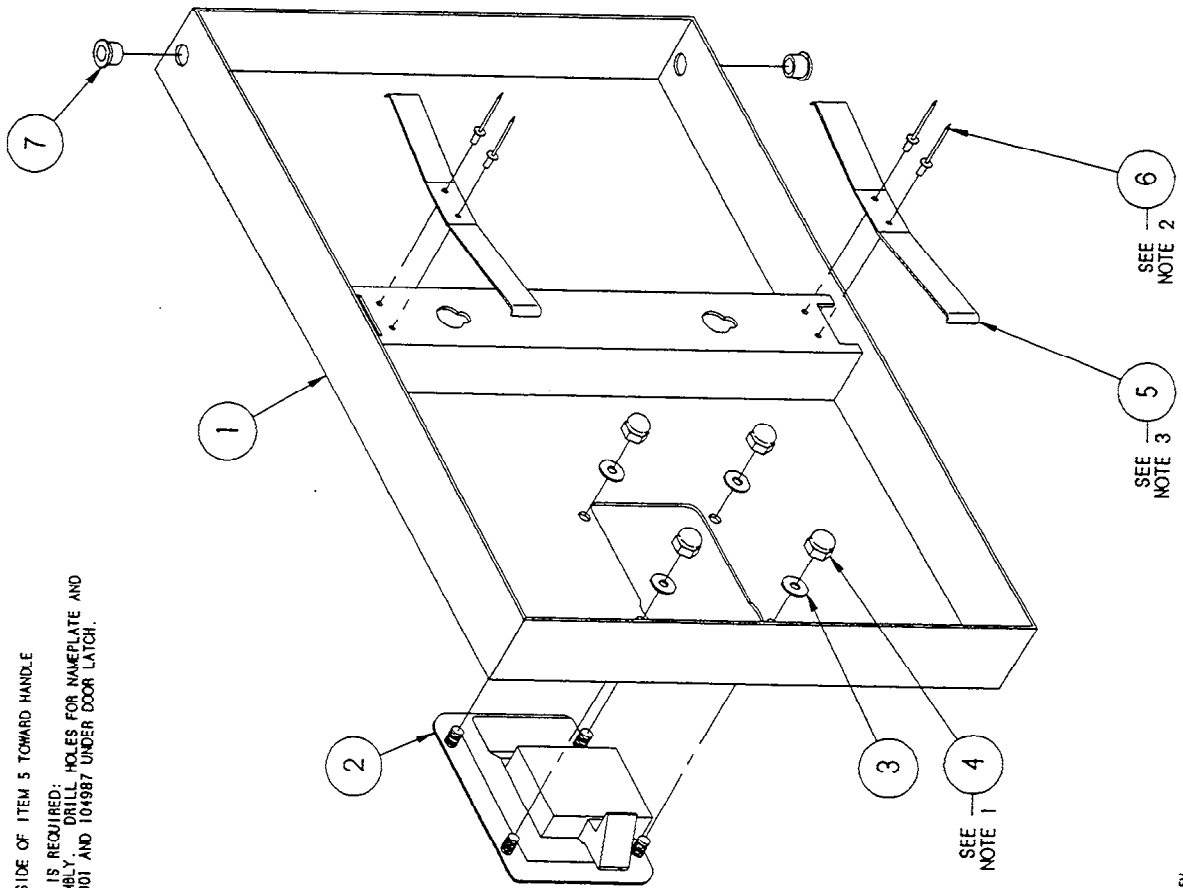
104930 THERMAL SWITCH (ELECTRONIC OPTION)

ITEM NO.	DESCRIPTION	QTY	UNIT
103442	OPTION	1	EA
103443	OPTION	1	EA
103444	OPTION	1	EA
103445	OPTION	1	EA
103446	OPTION	1	EA
103447	OPTION	1	EA
103448	OPTION	1	EA
103449	OPTION	1	EA
103450	OPTION	1	EA
103451	OPTION	1	EA
103452	OPTION	1	EA
103453	OPTION	1	EA
103454	OPTION	1	EA
103455	OPTION	1	EA
103456	OPTION	1	EA
103457	OPTION	1	EA
103458	OPTION	1	EA
103459	OPTION	1	EA
103460	OPTION	1	EA
103461	OPTION	1	EA
103462	OPTION	1	EA
103463	OPTION	1	EA
103464	OPTION	1	EA
103465	OPTION	1	EA
103466	OPTION	1	EA
103467	OPTION	1	EA
103468	OPTION	1	EA
103469	OPTION	1	EA
103470	OPTION	1	EA
103471	OPTION	1	EA
103472	OPTION	1	EA
103473	OPTION	1	EA
103474	OPTION	1	EA
103475	OPTION	1	EA
103476	OPTION	1	EA
103477	OPTION	1	EA
103478	OPTION	1	EA
103479	OPTION	1	EA
103480	OPTION	1	EA
103481	OPTION	1	EA
103482	OPTION	1	EA
103483	OPTION	1	EA
103484	OPTION	1	EA
103485	OPTION	1	EA
103486	OPTION	1	EA
103487	OPTION	1	EA
103488	OPTION	1	EA
103489	OPTION	1	EA
103490	OPTION	1	EA
103491	OPTION	1	EA
103492	OPTION	1	EA
103493	OPTION	1	EA
103494	OPTION	1	EA
103495	OPTION	1	EA
103496	OPTION	1	EA
103497	OPTION	1	EA
103498	OPTION	1	EA
103499	OPTION	1	EA
103500	OPTION	1	EA

THIS DESIGN DESCRIBES A PROPRIETARY ITEM AND IS THE PROPERTY OF CLEVELAND RANGE. THIS DRAWING IS NOT TO BE COPIED OR USED WITHOUT THE APPROVAL OF CLEVELAND RANGE.



- NOTES : 1.) USE LOCTITE #222 - LOW STRENGTH (104146) ON ITEM 4  
 2.) USE RTV (#00833) ON ITEM 6  
 3.) ORIENT LONGER SIDE OF ITEM 5 TOWARD HANDLE  
 4.) WHEN NAMEPLATE IS REQUIRED: DRILL HOLES FOR NAMEPLATE AND MOUNT P/Ns 105901 AND 104987 UNDER DOOR LATCH.



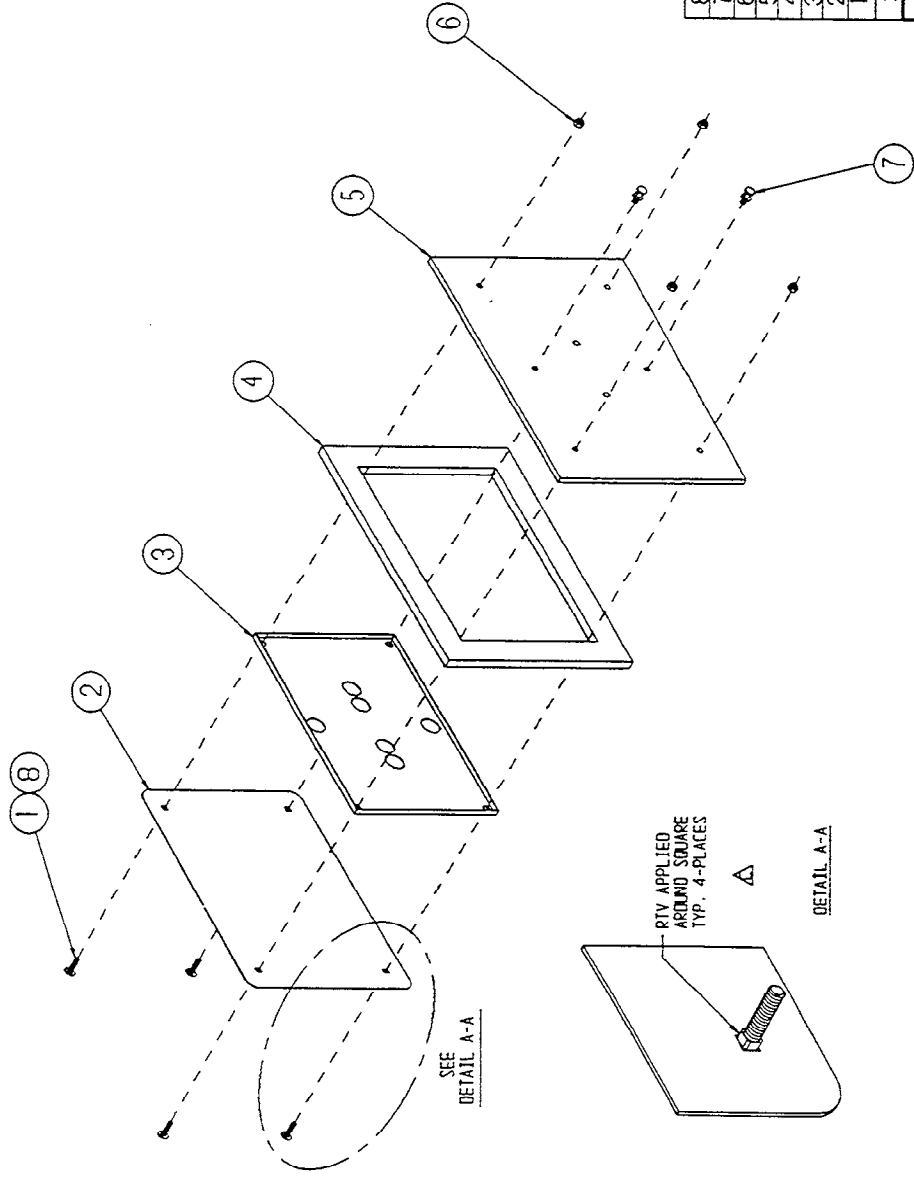
LET.	REVISIONS	DATE	BY
B	NOTE 3 WAS UPDATED, WAS ITEM 8 CALLOUT PER E.O. 4C-1908	04-01-91	DJP
C	NOTE 2 REVISED, WAS ITEM 7 CALLOUT PER E.O. 4C-1908 R1	03-19-92	PJD
D	P/Ns 103901 & 104987 ADDED PER E.O. 4C-2441 R2	08-28-93	PJD
E	P/Ns 103901 & 104987 REF. ONLY PER E.O. 4C-2441 R3	08-05-93	PJD
F	P/Ns 103901 & 104987 REMOVED PER E.O. 4C-2441 R5	12-13-93	PJD

ITEM	QTY.	PART NO.	DESCRIPTION
7	2	103841	BUSHING, BRONZE
6	4	19357	RIVET, 1/8" DIA. FLUSH BREAK, S/S
5	2	102228	SPRING, DOOR
4	4	14679	NUT, #10-24 ACORN, S/S
3	4	101635	WASHER, #10 FLAT, S/S
2	1	103843	LATCH, DOOR - PADLOCK TYPE
1	1	103527	OUTER DOOR WELDMENT, H.L.

TOLERANCES (UNLESS OTHERWISE SPECIFIED)	
RECTIVAL	SCALE 5/8"=1"
± IN/A	DRAWN BY DUTCHMAN
ANGULAR	APPROVED BY
± IN/A	TITLE DOOR, OUTER ASSEMBLY
CK	DATE 02-28-91
	DRAWING NO. C - 103537
	REV. F

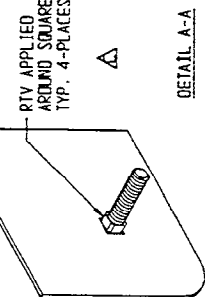
THIS DESIGN DESCRIBES A PROPRIETARY ITEM AND IS THE PROPERTY OF CLEVELAND RANGE. THIS DRAWING IS NOT TO BE COPIED OR USED WITHOUT THE APPROVAL OF CLEVELAND RANGE.

LET.	REVISIONS	DATE	BY
A	REVISED PER E.O. #C-1872 R5	2-28-91	PJD
B	REVISED PER E.O. #C-1872 R7	5-13-91	PJK
C	REVISED PER E.O. #C-1993	8-05-91	PJD



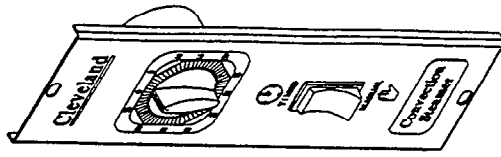
A/R	QTY.	PART NO.	DESCRIPTION
8	1	00932	SEALANT, RTV
7	2	19923	PIN GUIDE, INNER DOOR
6	4	14665	NUT, HEX LOCK 1/4-20
5	1	100745	INNER DOOR WELDMENT
4	1	07138	DOOR GASKET
3	1	66214	INNER GASKET RETAINER
2	1	66595	GASKET RETAINER PLATE
1	4	104719	BOLT, CARRIAGE 1/4-20 X 1.000"

TOLERANCES (EXCEPT AS NOTED)	SCALE	N/A	DRAWN BY	P. J. D.	APPROVED BY	D. S.
DECIMAL ± N/A	N/A					
ANGULAR ± N/A						
DATE	02-28-91					
CK						
<b>CLEVELAND RANGE INC.</b> 1333 East 17th St. Cleveland, Ohio 44110-2374						
TITLE DOOR, INNER ASS'Y. SC 3.1 CONV. (NEW STYLE MODEL C)						
DRAWING NO. B- 104101						

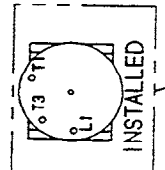
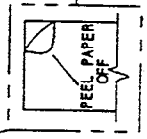
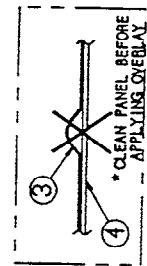
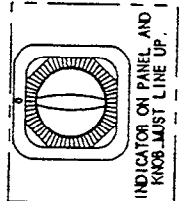
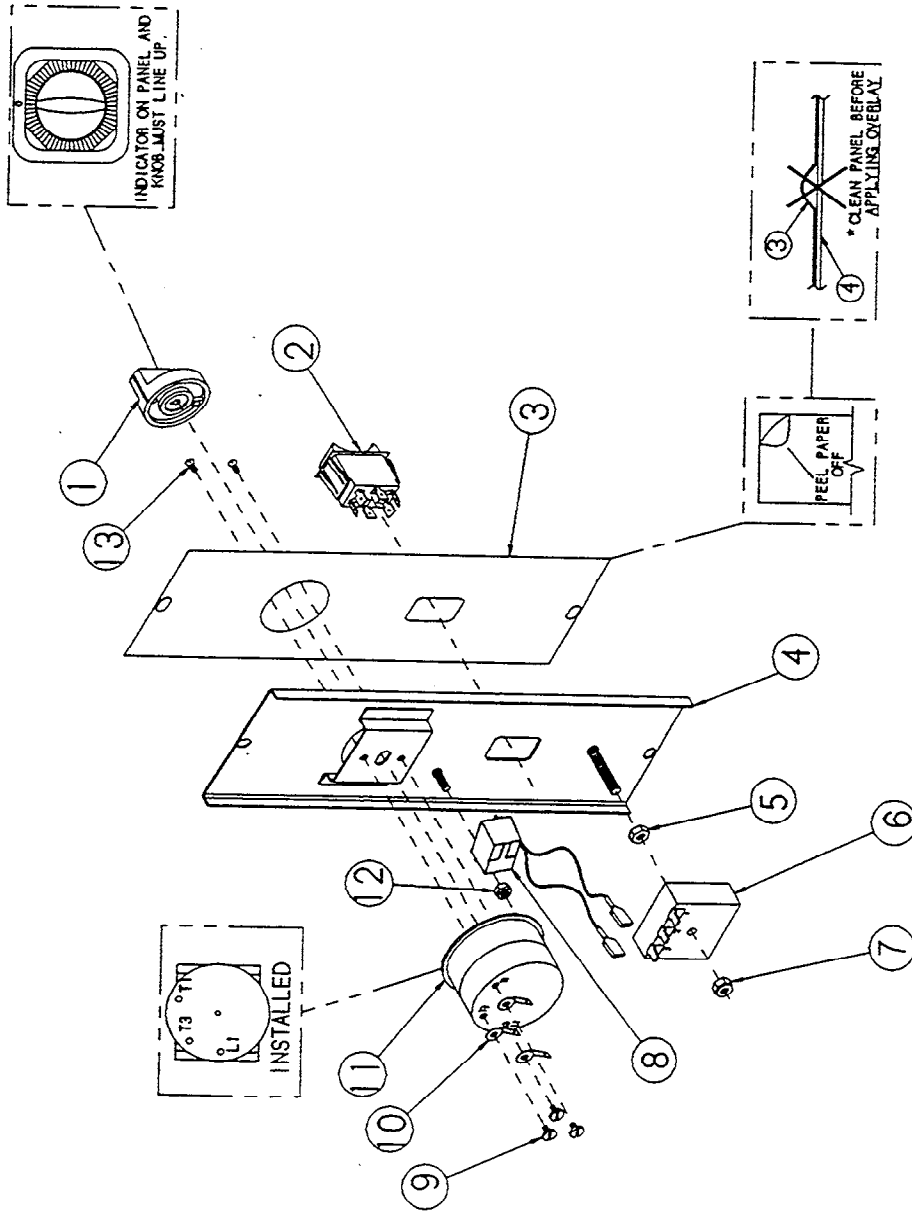


THIS DESIGN DESCRIBES A PROPRIETARY ITEM AND IS THE PROPERTY OF CLEVELAND RANGE. THIS DRAWING IS NOT TO BE COPIED OR USED WITHOUT THE APPROVAL OF CLEVELAND RANGE.

LET	REVISIONS	DATE	BY
A	HOLES ADDED TO LABEL P/N 101690 WAS 103720 EO #C-2182	04-06-92	PJD
B	101690 COLOR/ARTWORK CHANGE PER E.O. #C-2503 & C-2424	09-21-93	PJD



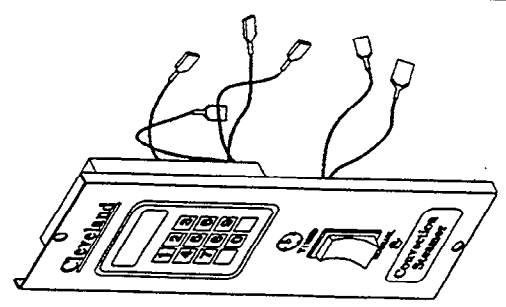
FRONT  
VIEW



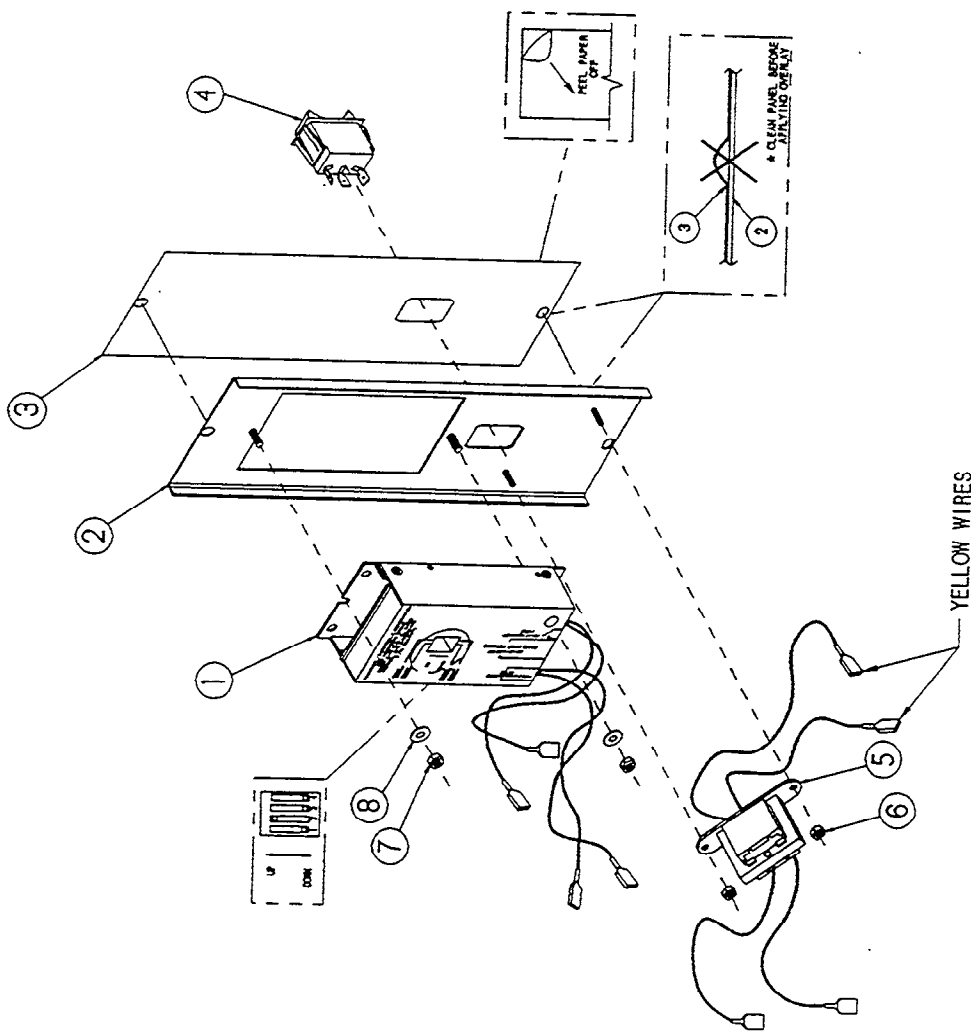
NO.	QTY.	PART NO.	DESCRIPTION
13	2	19201	SCREW 5-10 X .250 PAN HD. SLTD. S/S
12	1	14892	MUT. 10-20 ELASTIC LOCK, STEEL PLTD
11	1	20478	TIMER, 60 MIN, MECHANICAL SWITCHING
10	3	20323	TERMINAL, #10 RING / .25 WALE TAB
9	3	- - -	INCLUDED IN ITEM 10
8	1	41950	BIZZER ASSEMBLY WITH TERMINALS
7	1	101873	MUT. 1/4-20 ELASTIC LOCK
6	1	20477	TIMER, SOLID STATE, 3 SECOND DELAY
5	1	14818	MUT. HEX. 1/4-20 S/S
4	1	101690	PANEL, TIMER - CONY. MECHANICAL
3	1	101690	LABEL, PANEL - MECH. TIMER CONY.
2	1	19982	SWITCH, ROCKER, COMPT. BYPASS
1	1	11307	KNOB, TIMER
TOLERANCES (UNLESS OTHERWISE SPECIFIED)			
CLEVELAND RANGE INC. 1333 East 178th St. Cleveland, Ohio 44110-3374			
DESIGNER		DRAWN BY	
3		DUTCHMAN	
APPROVED BY		D.S.	
TITLE TIMER ASSEMBLY - BACK MOUNTED CONNECTION STEAMER MECHANICAL			
DATE		DRAWING NO.	
09-16-91		C-104929	
REV.		REV.	
B		B	

THIS DESIGN DESCRIBES A PROPRIETARY ITEM AND IS THE PROPERTY OF CLEVELAND RANGE. THIS DRAWING IS NOT TO BE COPIED OR USED WITHOUT THE APPROVAL OF CLEVELAND RANGE.

LET	REVISIONS	DATE	BY
A	HOLE ADDED TO LABEL P/N 105889 WAS 104478 EO #C-2182	01-08-92	PJD
B	105889 COLOR/ARTWORK CHANGE PER E.O. #C-2503 & C-2124	09-21-93	PJD



FRONT VIEW



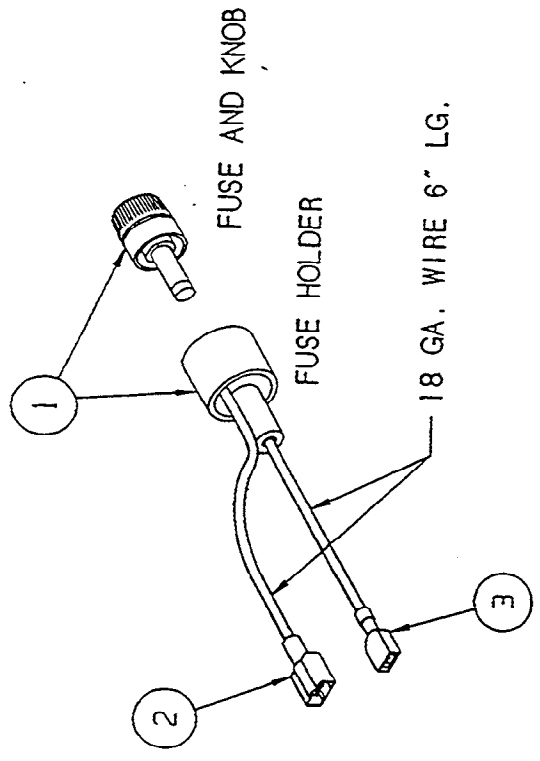
NO.	QTY.	PART NO.	DESCRIPTION
8	2	101655	WASHER, FLAT #10 9/32
7	2	14892	NUT, HEX 10-24 ELASTIC LOCK
6	2	104223	NUT, HEX 8-32 ELASTIC LOCK
5	1	104390	TRANSFORMER, ASSEMBLY
4	1	104224	SWITCH, MOUSER, SPOT WHITE FINISH
3	1	105889	LABEL, CONT. PANEL, REC - CONV.
2	1	104701	PANEL, WELDMENT ELECTRONIC
1	1	104389	TIMER, ASSEMBLY - REC

**CLEVELAND RANGE INC.**  
 1333 East 17th St. Cleveland, Ohio 44110-2174  
 SCALE 1/2" = 1" APPROVED BY  
 TITLE TIMER ASSEMBLY - BACK MOUNTED CONNECTION STEAMER ELECTRIC  
 DATE 09-17-91 DRAWING NO. C-104930 REV. B

THIS DESIGN DESCRIBES A PROPRIETARY ITEM AND IS THE PROPERTY OF CLEVELAND RANGE. THIS DESIGN IS NOT TO BE COPIED OR USED WITHOUT THE APPROVAL OF CLEVELAND RANGE.

LET.	REVISIONS	DATE	BY
A	PICTORIAL CHANGE PER E.O. #2591 R1	05-06-94	PJD

U.L. AND C.S.A.  
APPROVED



3	1	20351	TERMINAL, SLIP ON FEMALE
2	1	20370	TERMINAL, SLIP ON, MALE
1	1	106881	FUSE AND HOLDER ASSEMBLY
ITEM	QTY.	PART NO.	DESCRIPTION
TOLERANCES (EXCEPT AS NOTED)			
DECIMAL	SCALE		
± .030	2=1		
ANGULAR	DRAWN BY		
± 1°	DUTCHMAN		
APPROVED BY			
TITLE			
FUSE AND HOLDER WIRE ASSY. NCC TIMER RETROFIT			
CK	DATE	DRAWING NO.	REV.
	05-06-94	A - 106870	A

CLEVELAND RANGE INC.  
1333 East 179th St. Cleveland, Ohio 44110-2574

THIS DESIGN DESCRIBES A PROPRIETARY ITEM AND IS THE PROPERTY OF CLEVELAND RANGE. THIS DRAWING IS NOT TO BE COPIED OR USED WITHOUT THE APPROVAL OF CLEVELAND RANGE.



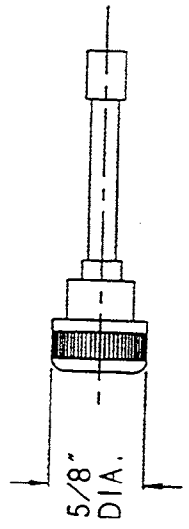
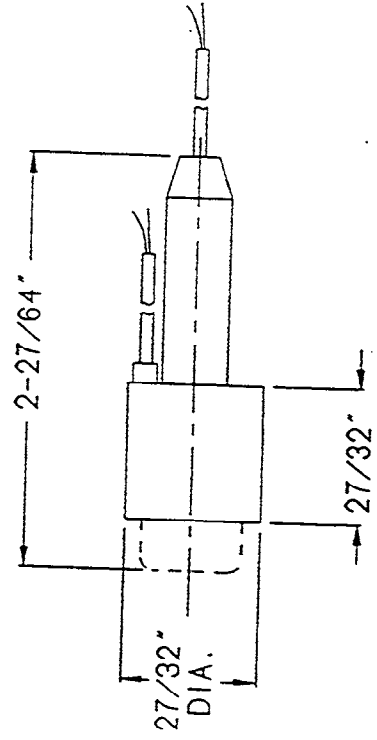
LET.	REVISIONS	DATE	BY

BUSSMAN HLR  
FUSE HOLDER

GUIDE #1ZLT2 U.L.  
FILE #B14853 U.L.  
CLASS #6225-01 C.S.A.  
FILE #47235 C.S.A.

BUSSMAN GLR 2 AMP  
NON-DELAY FUSE

GUIDE #JDYX U.L.  
FILE #E19180 U.L.  
CLASS #1422-01 C.S.A.  
FILE #53787 C.S.A.



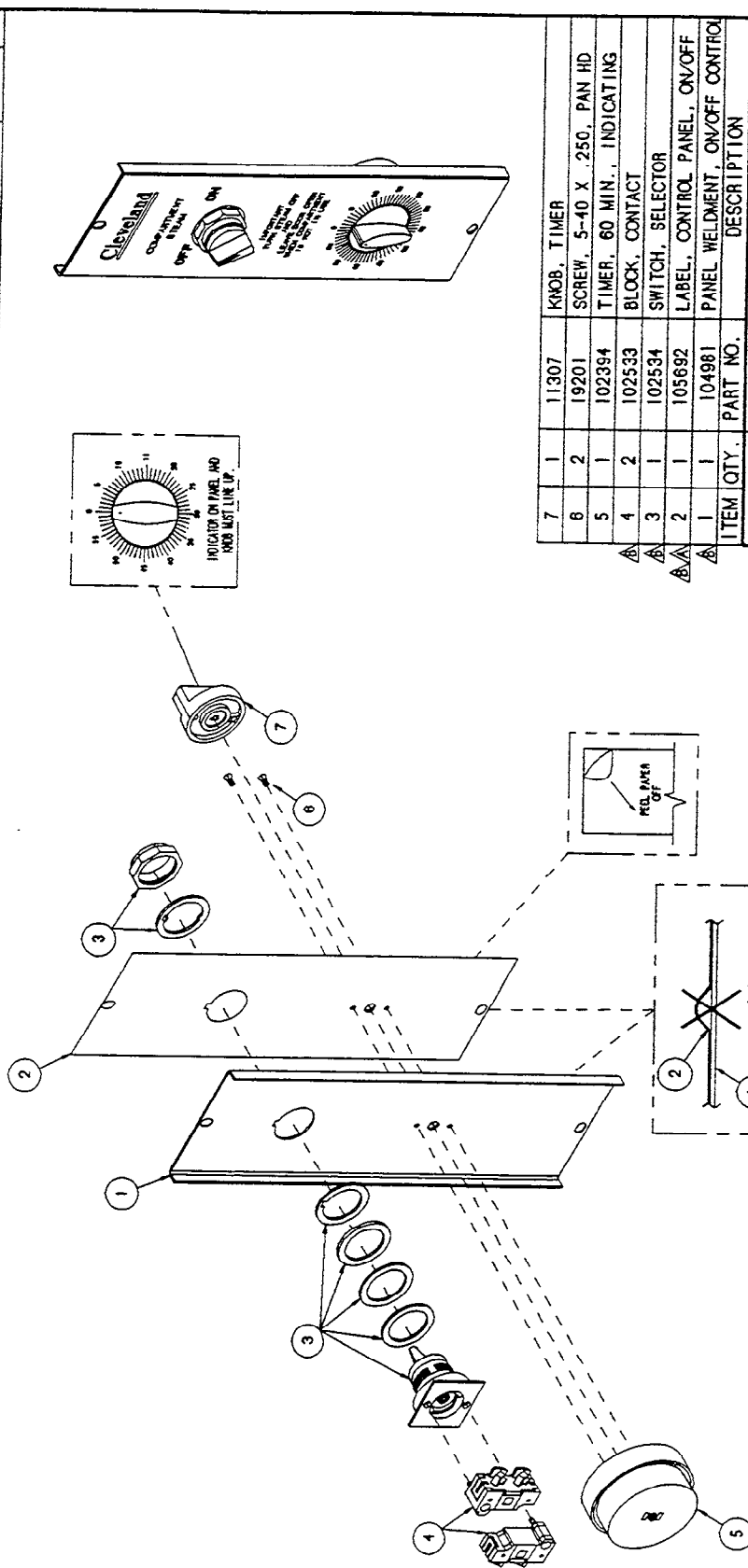
APPROVED SOURCE:

CONSOLIDATED ELECTRICAL DISTRIBUTORS, INC.  
7444 TYLER BLVD., MENTOR, OHIO 44060  
PHONE (216) 946-8850

THIS DESIGN DESCRIBES A PROPRIETARY ITEM  
AND IS THE PROPERTY OF CLEVELAND RANGE.  
THIS DRAWING IS NOT TO BE COPIED OR USED  
WITHOUT THE APPROVAL OF CLEVELAND RANGE.

ITEM	QTY.	PART NO.	DESCRIPTION
TOLERANCES (EXCEPT AS NOTED)			<b>CLEVELAND RANGE INC.</b> 1333 East 179th St. Cleveland, Ohio 44110-2574
DECIMAL ± .030		SCALE 2=1	DRAWN BY DUTCHMAN
ANGULAR ± 1°		TITLE	APPROVED BY -
CK		DATE 05-06-94	FUSE AND HOLDER ASSY. NCC TIMER RETROFIT
		DRAWING NO. A - 106881	REV. -

LET.	REVISIONS	DATE	BY
A	HOLES ADDED TO LABEL, P/N 105692 WAS 103719. EO C-2182.	04/06/92	PJD
B	UPDATED PICTORIALY PER E.O. 10C-2429 & 10C-2495 & 10C-2503	09/13/93	NLT



ITEM	QTY.	PART NO.	DESCRIPTION
7	1	11307	KNOB, TIMER
6	2	19201	SCREW, 5-40 X .250, PAN HD
5	1	102394	TIMER, 60 MIN., INDICATING
4	2	102533	BLOCK, CONTACT
3	1	102534	SWITCH, SELECTOR
2	1	105692	LABEL, CONTROL PANEL, ON/OFF
1	1	104981	PANEL WELDMENT, ON/OFF CONTROL

TOLERANCES (EXCEPT AS NOTED)

DECIMAL ± N/A

ANGULAR ± N/A

SCALE 3/8"=1

DRAWN BY DUTCHMAN

APPROVED BY BEDFORD

TITLE TIMER ASSEMBLY, ON/OFF CONTROL W/ INDICATING TIMER

DATE 09-19-91

DRAWING NO. B - 104931

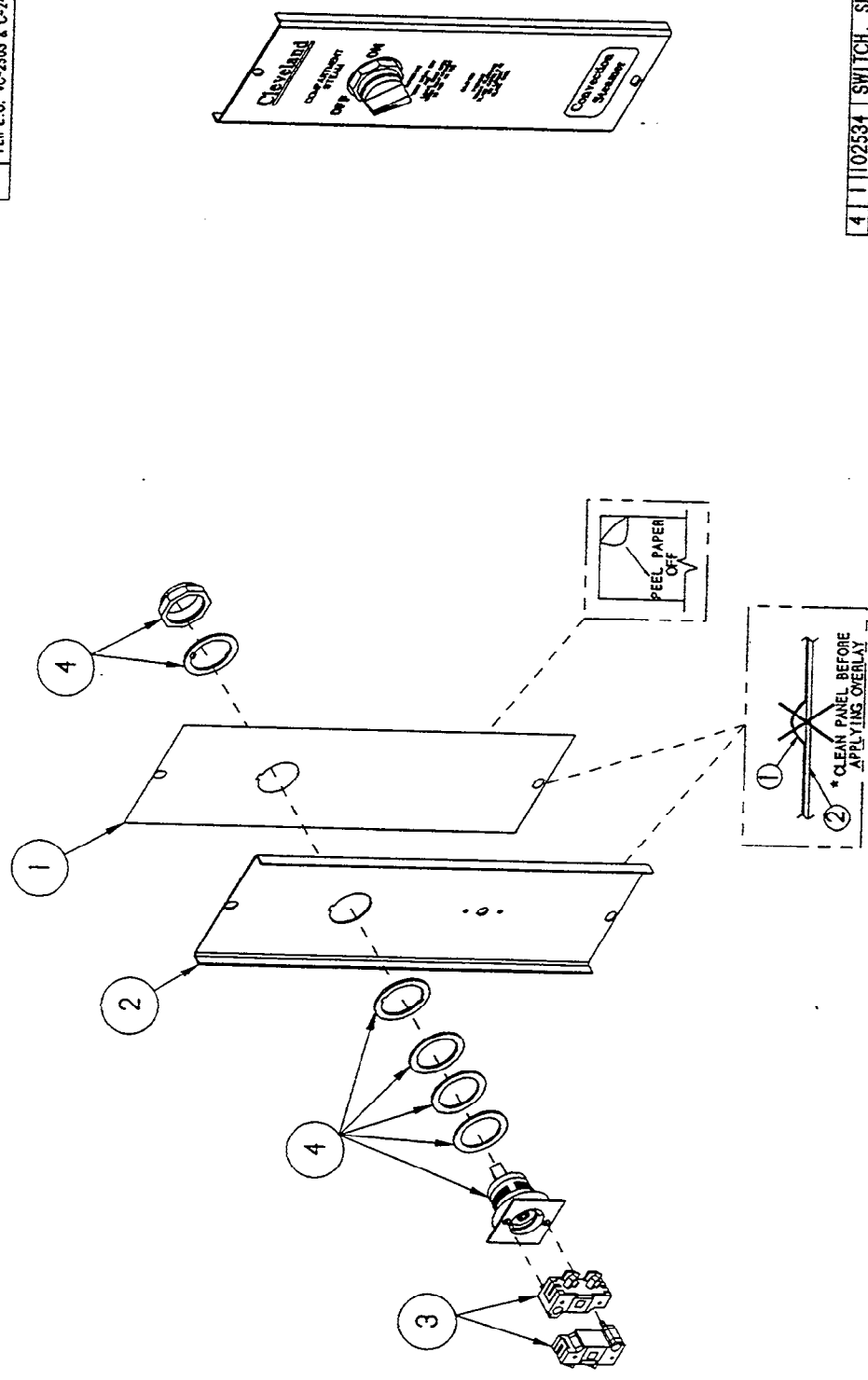
REV. B

CLEVELAND RANGE INC.  
1333 East 179th St. Cleveland, Ohio 44110-2574

\* CLEAN PANEL BEFORE APPLYING OVERLAY

THIS DESIGN DESCRIBES A PROPRIETARY ITEM AND IS THE PROPERTY OF CLEVELAND RANGE. THIS DRAWING IS NOT TO BE COPIED OR USED WITHOUT THE APPROVAL OF CLEVELAND RANGE.

LET	REVISIONS	DATE	BY
A	HOLES ADDED TO LABEL P/R 105691 WAS 103718 EO 1C-2182	04-08-92	PJD
B	103891 COLOR/ARTWORK CHANGE & 101981 HOLE PLACEMENT REVISED PER E.O. 1C-2503 & C-2424	09-21-93	PJD



NO.	QTY	PART	DESCRIPTION
4	1	102534	SWITCH, SELECTOR
3	2	102533	BLOCK, CONTACT
2	1	104981	PANEL, CONN, ON/OFF
1	1	105691	LABEL, PANEL, ON/OFF

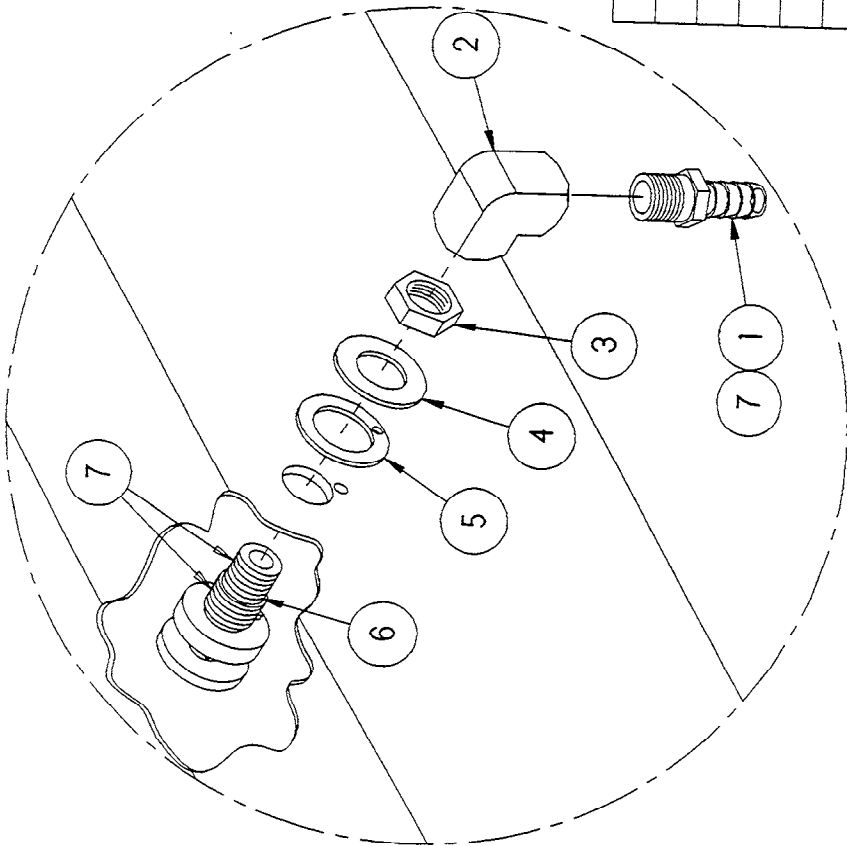
TOLENCES	CLEVELAND RANGE INC.		
1/2"	1223 East 121st St., Cleveland, Ohio 44110-2574	SCALE	1/2"
1/4"		DRAWN BY	DAUTCHMAN
1/8"		APPROVED BY	D.S.
ANGULAR		TITLE	TIMER ASSEMBLY - BACK MOUNTED CONNECTION STEAMER, ON/OFF
OK		DATE	09-18-91
		DRAWING NO.	C-104932
		REV.	B

THIS DESIGN DESCRIBES A PROPRIETARY ITEM AND IS THE PROPERTY OF CLEVELAND RANGE. REPRODUCTION OR COPYING OF THIS DRAWING IS NOT TO BE COPIED OR USED WITHOUT THE APPROVAL OF CLEVELAND RANGE.

LET.	REVISIONS	DATE	BY
A	SEE E.O. #C-2689	09-15-94	PJD

NOTES:

- 1.) ITEM 2 (P/N 05236) AND ITEM 1 (P/N 105277) TO BE ROTATED TO AN ANGLE THAT WILL MATCH THE OTHER SPRAY NOZZLES OR MEET A MATING HOSE FITTING.



TYPICAL APPLICATION

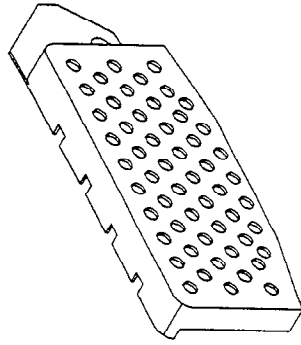
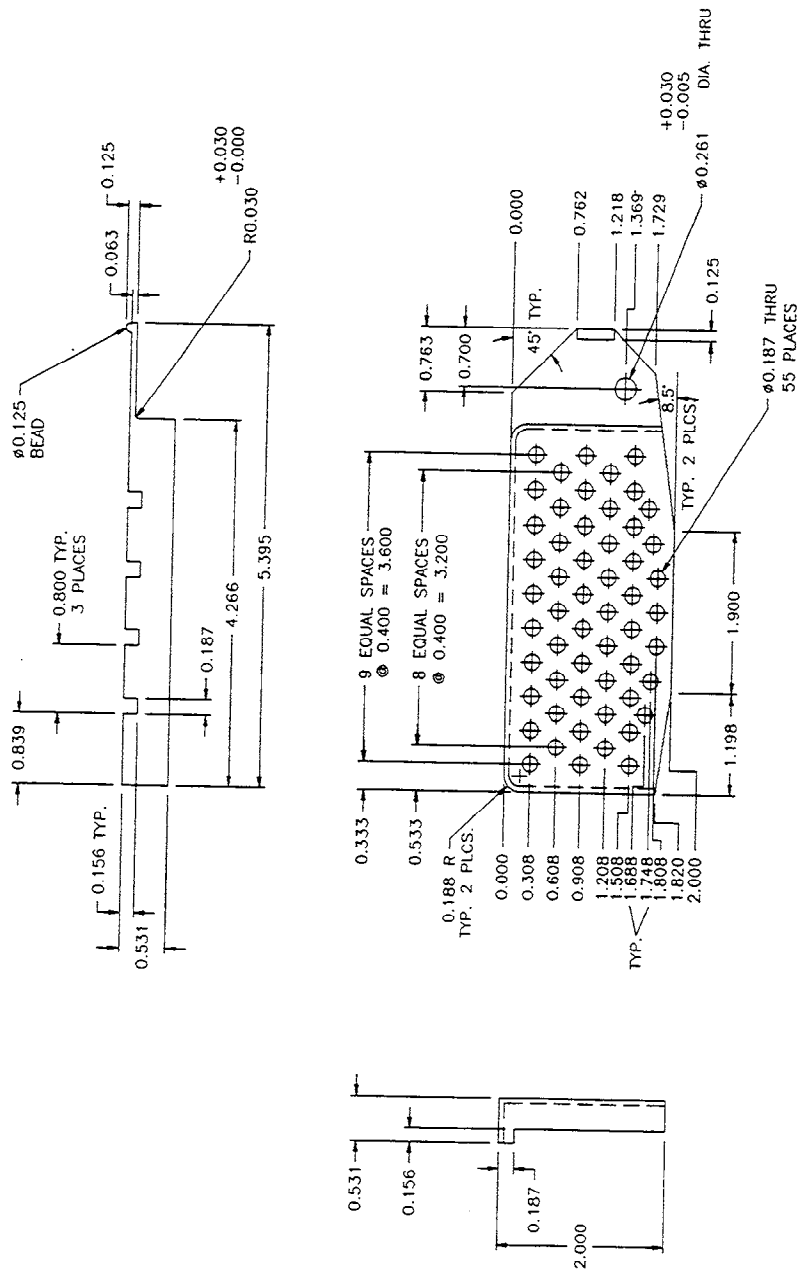
THIS DESIGN DESCRIBES A PROPRIETARY ITEM AND IS THE PROPERTY OF CLEVELAND RANGE. THIS DRAWING IS NOT TO BE COPIED OR USED WITHOUT THE APPROVAL OF CLEVELAND RANGE.

ITEM	QTY.	PART NO.	DESCRIPTION
7	A/R	00934	SEALANT, RECTORSEAL
6	1	104009	FITTING, ASSY, STEAM SUPPLY
5	1	104082	GASKET, STEAM INJECTOR
4	1	104232	WASHER, FLAT S/S
3	1	104081	NUT, JAM 5/8-18, BRASS
2	1	05236	ELBOW, 1/4" X 90°, BRASS
1	1	105277	FITTING, HOSE 3/8 H X 1/4 MPT

TOLERANCES (EXCEPT AS NOTED)		CLEVELAND RANGE INC. 1333 East 179th St. Cleveland, Ohio 44110-2574	
DECIMAL	SCALE 1/2"	DRAWN BY DUTCHMAN	APPROVED BY THOMPSON
± .030			
ANGULAR		TITLE SPRAY NOZZLE ASSY. (3/8" HOSE) CONVECTION AND CONVECTION PRO, STEAMCRAFT POWER 10 AND D.C. 10	
± 1°			
CK	DATE 12-14-92	DRAWING NO. A - 106230	REV. A

NOTE: TOLERANCES ARE NON-ACCUMULATIVE

REV.	REVISIONS	DATE	BY
C	REVISED/DRAWING DEVELOPED NEW ED. C-1889	07/08/91	DJP
D	REVISED/DRAWING .187 DIA. HOLES REPLACED BY GROUNDED SLOTS ED. C-1979	04/29/91	DJP
E	CHANGED BACK TO .187 DIA. HOLES & MATERIAL CHANGED TO TALC FILLED POLYPROPYLENE PER ED. C-2298 R2	09/24/93	NLT
F	ADDED APPROVED SOURCE PER ED. C-2853	07/31/95	DJP



MATERIAL: TALC FILLED POLYPROPYLENE  
 NOMINAL THICKNESS: 0.062 IN.  
 COLOR: NATURAL

APPROVED SOURCE:

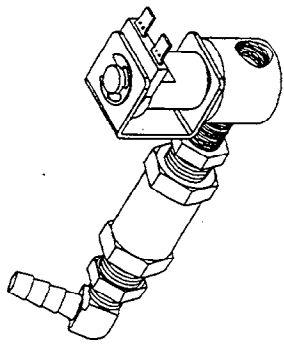
- 1.) ROYAL PLASTIC  
 MATERIAL SUPPLIER: FERRO CORP.  
 FORMULATION I.D. APP40GR17NA  
 NSF DCC F004593-001



THIS DESIGN RESERVES A.F. ITEM AND IS THE PROPERTY OF CLEVELAND RANGE. NO USE WITHOUT THE APPROVAL OF CLEVELAND RANGE.

ITEM	QTY	PART NO.	DESCRIPTION
TOLERANCES EXCEPT AS NOTED			<b>CLEVELAND RANGE INC.</b> 1333 East 17th St. Cleveland, Ohio 44110-2574
DECIMAL ± 0.30		SCALE 1=1	DRAWN BY NLT APPROVED BY
ANGULAR ± 1°		TITLE SCREEN DRAIN CO. MOLDED PLA	TENT.
AC		DATE 12/16/92	DRAWING NO. C-60708
			REV

LET. REVISIONS DATE BY



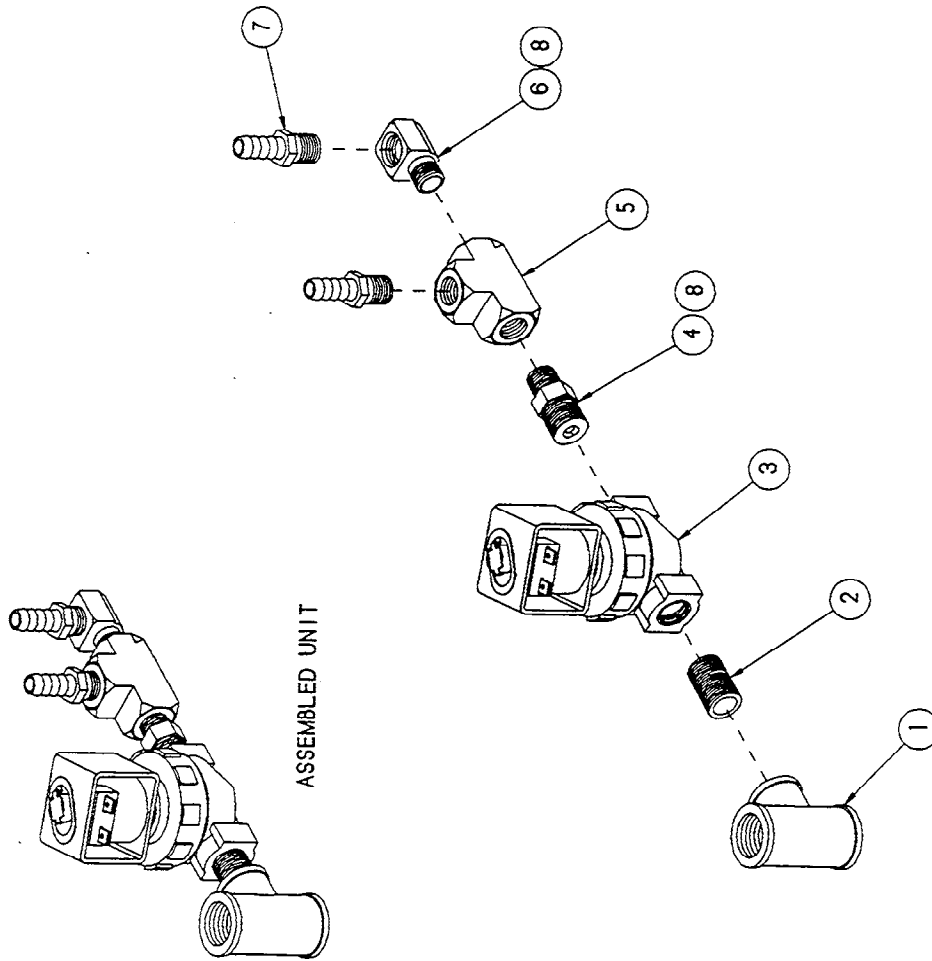
ASSEMBLED UNIT

PRODUCTION

5	1	15455	FLOW CONTROLLER, COND. REGULATOR, 3/8"
4	2	02594	BUSHING, HEX, 3/8 X 1/4, BRASS
3	1	14304	NIPLLE, 1/4 X CLOSE, YELLOW BRASS
2	1	22218	VALVE, SOLENOID
1	1	105786	FITTING, ROSEBERRY, 1/4MPT X 1/4H, 90°
ITEM QTY.		PART NO.	DESCRIPTION
TOLERANCES (EXCEPT AS NOTED)			
DECIMAL	± .030		
ANGULAR	± 1°		
CK	DATE	02-23-94	REV. -
		DRAWING NO.	B - 106831
		SCALE	5/8"
		DRAWN BY	Dutchman
		APPROVED BY	
TITLE WATER VALVE ASSEMBLY CONVECTION			
CLEVELAND RANGE INC. 1333 East 179th St. Cleveland, Ohio 44110-2574			

THIS DESIGN DESCRIBES A PROPRIETARY ITEM AND IS THE PROPERTY OF CLEVELAND RANGE. THIS DRAWING IS NOT TO BE COPIED OR USED WITHOUT THE APPROVAL OF CLEVELAND RANGE.

LET REVISIONS DATE BY



PRODUCTION

ITEM	QTY.	PART NO.	DESCRIPTION
8	A/R	00934	SEALANT, RECTORSEAL
7	2	105277	FITTING, HOSE BARR, 3/8 H X 1/4 NPT
6	1	05235	ELBOW, STREET 1/4" X 90°, BRASS
5	1	20199	TEE, 1/4" BRASS
4	1	105699	FITTING, FLOW RESTRICTOR, 3/8 X 1/4
3	1	22224	VALVE, STEAM SOLENOID 1-80 PSI
2	1	14427	NIPPLE, 3/8 X CLOSE, BRASS
1	1	100676	TEE, 1/2 X 3/8 X 1/2, BRASS

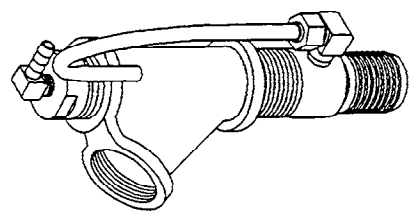
<b>CLEVELAND RANGE INC.</b> 1333 East 179th St., Cleveland, Ohio 44110-2574	
SCALE	1/2"
DRAWN BY	Dulichman
APPROVED BY	
TITLE	STEAM, INLET ASSEMBLY CONVECTION
DATE	02-23-94
DRAWING NO.	B - 106830
REV.	-

THIS DESIGN DESCRIBES A PROPRIETARY ITEM AND IS THE PROPERTY OF CLEVELAND RANGE. THIS DRAWING IS NOT TO BE COPIED OR USED WITHOUT THE APPROVAL OF CLEVELAND RANGE.

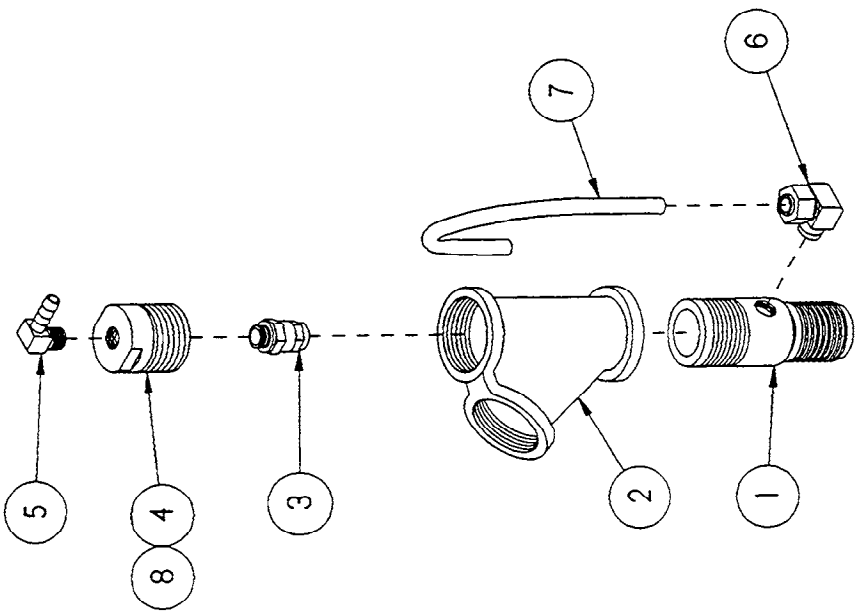
LET.	REVISIONS	DATE	BY
A	P/N 105787 WAS 08192 PER E.O. 12812	02-25-94	PJD

ITEM	QTY.	PART NO.	DESCRIPTION
8	A/R	101051	NEVER-SEEZ
7	1	70732	TUBE, COPPER, DRAIN VENT
6	1	06233	FITTING, COMP. 3/8 T X 1/8 90°
5	1	105787	FITTING 1/4 H X 1/8 MPT 90°
4	1	06230	FITTING, COMPARTMENT DRAIN
3	1	14555	NOZZLE, SPRAY, 1/8 FULL JET
2	1	02139	BEND, "Y" BLACK
1	1	565191	FITTING, HOSE 1" W/ 1/8" HOLE

TOLERANCES (EXCEPT AS NOTED)		CLEVELAND RANGE INC. 1333 East 179th St. Cleveland, Ohio 44110-2574	
DECIMAL ± N/A	SCALE 1/2" = 1"	DRAWN BY PJD	APPROVED BY
ANGULAR ± N/A	TITLE DRAIN ASSEMBLY, CONVECTION UPPER COMPARTMENT		
CK	DATE 11-01-93	DRAWING NO. B - 106473	REV. A



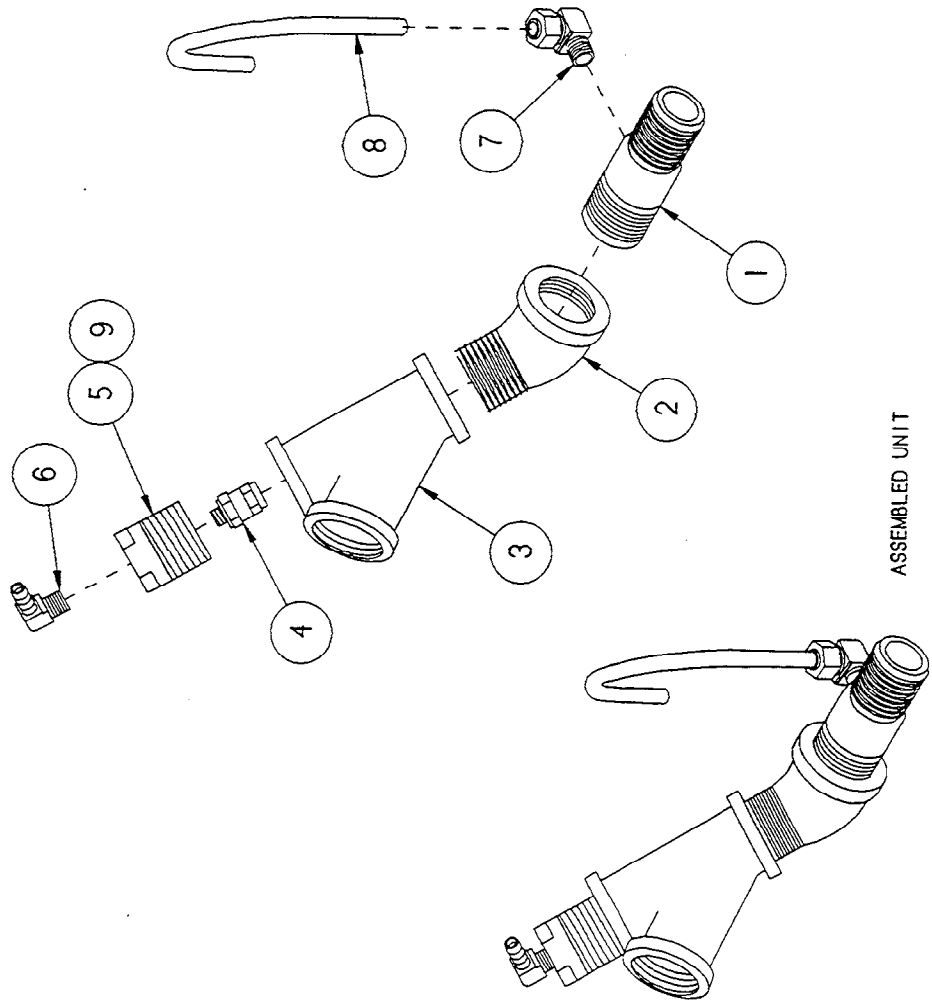
ASSEMBLED UNIT



THIS DESIGN DESCRIBES A PROPRIETARY ITEM AND IS THE PROPERTY OF CLEVELAND RANGE. THIS DRAWING IS NOT TO BE COPIED OR USED WITHOUT THE APPROVAL OF CLEVELAND RANGE.



LET.	REVISIONS	DATE	BY
A	P/N 105787 WAS 06192 PER E.O. #C-2579	02-25-94	PJD



ASSEMBLED UNIT

THIS DESIGN DESCRIBES A PROPRIETARY ITEM AND IS THE PROPERTY OF CLEVELAND RANGE. THIS DRAWING IS NOT TO BE COPIED OR USED WITHOUT THE APPROVAL OF CLEVELAND RANGE.

A/R	ITEM	QTY.	DESCRIPTION
9	101051	1	NEVER-SEEZ
8	70732	1	FITTING, HOSE 3/8 H X 1/8 MPT, 90°
7	06233	1	FITTING, COMP. 3/8 T X 1/8 90°
6	105787	1	FITTING 1/4 H X 1/8 MPT 90°
5	06230	1	FITTING, COMPARTMENT DRAIN
4	14555	1	NOZZLE, SPRAY, 1/8" FULL JET
3	02139	1	BEND, "Y" BLACK
2	05227	1	ELBOW, STREET 1" X 45° BLACK
1	565191	1	FITTING, HOSE 1" W/ 1/8" HOLE

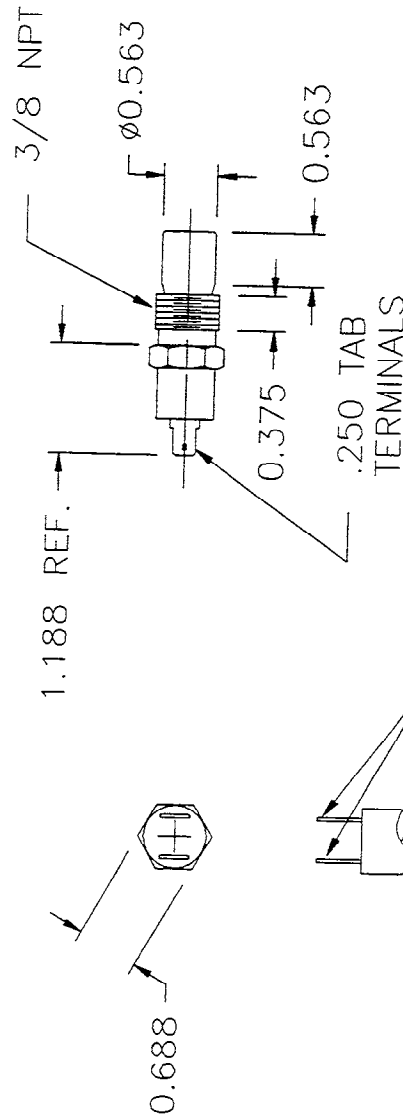
TOLERANCES (EXCEPT AS NOTED)	
DECIMAL	± N/A
ANGULAR	± N/A

SCALE	1/2" = 1"	DRAWN BY	PJD	APPROVED BY	
TITLE DRAIN ASSEMBLY, CONVECTION LOWER COMPARTMENT					
DATE	11-01-93	DRAWING NO.	B - 1064731	REV.	A

CLEVELAND RANGE INC.  
1333 East 179th St., Cleveland, Ohio 44110-2574



LET.	REVISIONS	DATE	BY
A	ADDED APPROVED SOURCE NO. 2	1-03-78	DK
B	1) WAS MODEL NO. 5022-2-181 2) ADDED TO APPROVED SOURCE NO.1	5-06-81	FGF
C	WAS MODEL NO. 08-810211-045 REVISED PER ECN #1017	1-16-85	JM
D	REF: FENWAL INC. ADD: C.S.A. FILE NO. PER ECO #1202	9-30-87	DJP
-	REDRAWN (ACAD), NO CHANGE	10-21-93	CCAD



SPECIFICATIONS:  
CLOSE ON RISE ~ 193 ± 5°F  
OPEN ~ 173 ± 7°F  
UL APPROVED

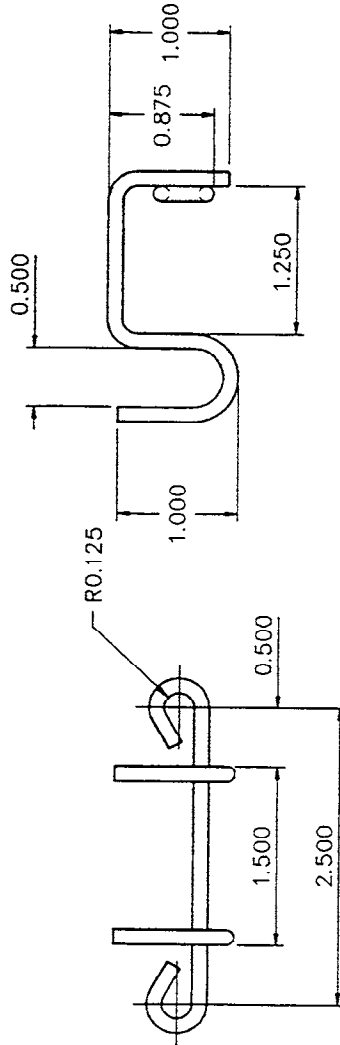
APPROVED SOURCE

1. PROTECTIVE CONTROLS INC.  
MODEL NO. 5100-002-181  
U.L. FILE NO. E 36687  
C.S.A. FILE NO. LR 25561
2. FENWAL INCORPORATED  
MODEL NO. 08-809004-001  
U.L. FILE NO. E18974C  
C.S.A. FILE NO. LR7378-111

THIS DESIGN DESCRIBES A PROPRIETARY ITEM AND IS THE PROPERTY OF CLEVELAND RANGE.  
THIS DRAWING NOT TO BE COPIED OR USED WITHOUT THE APPROVAL OF CLEVELAND RANGE

ITEM	QTY	PART NO.	DESCRIPTION
TOLERANCES (EXCEPT AS NOTED)			<b>CLEVELAND RANGE INC.</b> 1333 East 179th St. Cleveland, Ohio 44110-2574
DECIMAL ± --		SCALE 1=2	DRAWN BY TKB APPROVED BY
ANGULAR ± 1°		TITLE	THERMAL SWITCH
AC		DATE 5-29-74	DRAWING NO. A-19972
			REV D

LET.	REVISIONS	DATE	BY
A	REDESIGNED PER ED C-2579R1.	7-18-94	EJK



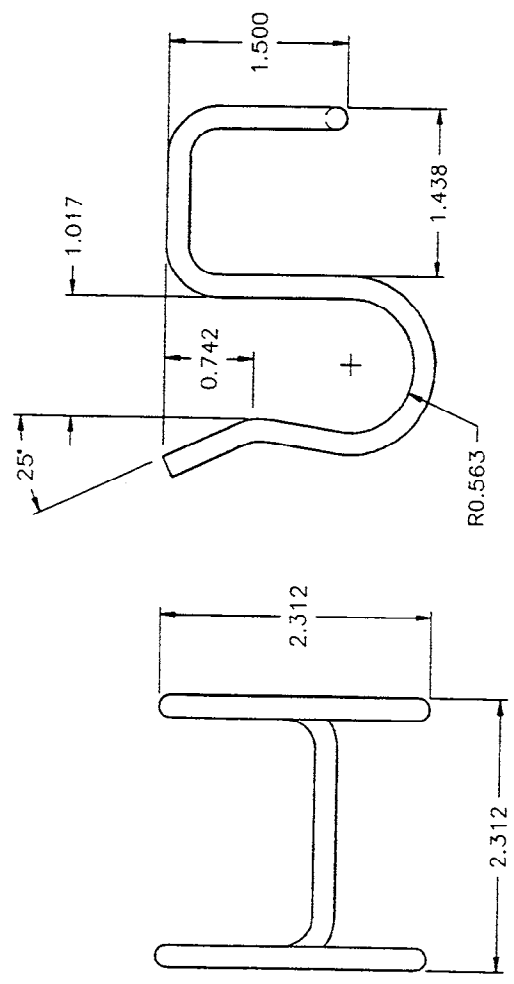
MATERIAL: 304 STAINLESS STEEL WIRE  
11 GAGE (.120)

ITEM	QTY	PART NO.	DESCRIPTION
TOLERANCES (EXCEPT AS NOTED)			<b>CLEVELAND RANGE INC.</b> 1333 East 179th St. Cleveland, Ohio 44110-2574
DIMENSIONAL $\pm .125$	SCALE 1=1	DRAWN BY EJK	APPROVED BY
ANGULAR $\pm 1^\circ$	TITLE BRACKET, WIRE CONDENSER SOL.		
AC	DATE 10-20-92	DRAWING NO. B-106159	REV A

THIS DESIGN DESCRIBES A PROPRIETARY ITEM AND IS THE PROPERTY OF CLEVELAND RANGE.  
THIS DRAWING IS NOT TO BE COPIED OR USED WITHOUT THE APPROVAL OF CLEVELAND RANGE

LET.	REVISIONS	DATE	BY
------	-----------	------	----

NOTES:  
 1. ALL BEND RADII ARE .25 UNLESS OTHERWISE SPECIFIED.

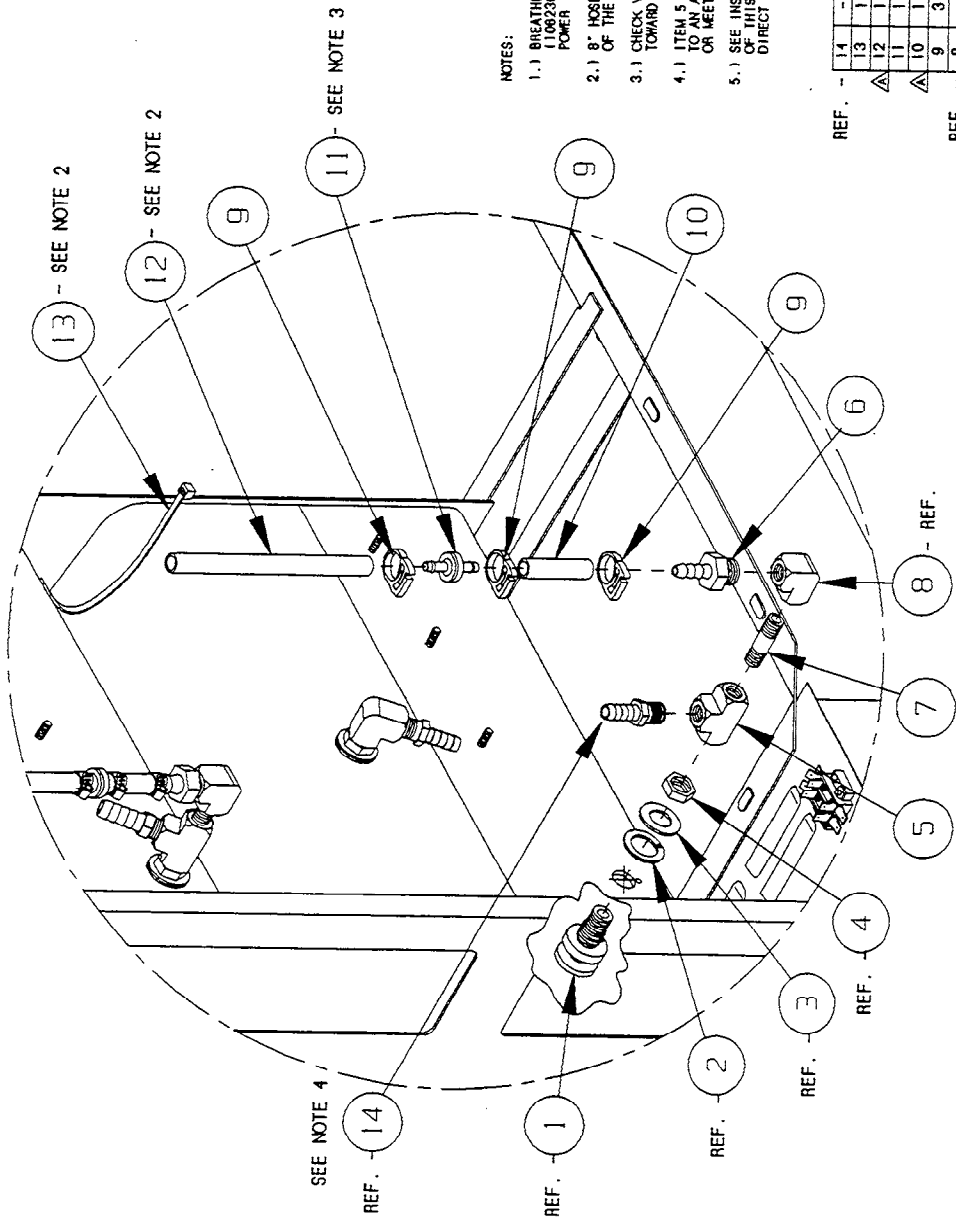


MATERIAL:  
 WIRE, STAINLESS STEEL, 304  
 3/16 DIA WIRE

ITEM	QTY	PART NO.	DESCRIPTION
<b>CLEVELAND RANGE INC.</b> 1333 East 179th St. Cleveland, Ohio 44110-2574			
TOLERANCES (EXCEPT AS NOTED)	SCALE 1=1	DRAWN BY JPB	APPROVED BY
DECIMAL $\pm .030$	TITLE <b>BRACKET, WIRE, VALVE SUPPORT</b>		
ANGULAR $\pm 1^\circ$	DATE 1/10/94	DRAWING NO. B-106752	REV -
AC			

THIS DESIGN DESC. PROPRIETARY ITEM AND IS THE PROPERTY OF CLEVELAND RANGE.  
 THIS DRAWING IS TO BE COPIED OR USED WITHOUT THE APPROVAL OF CLEVELAND RANGE.

LET.	REVISIONS	DATE	BY
A	SEE E.O. 10-2785	12-10-94	PJD



- NOTES:
- 1.1 BREATHER ASSY. PLACE PER CAVITY ON ALL CONNECTION, POWER 10 AND DIRECT CONNECT 10 UNITS.
  - 2.1 8" HOSE IS TO BE SECURED WITH NYLON CABLE TO THE HOSE OF THE SPRAY NOZZLE ASSY. DIRECTLY ABOVE THE NEW ASSY.
  - 3.1 CHECK VALVE - SIDE WHICH READS "VAC" MUST FACE DOWN TOWARD HOSE BARR
  - 4.1 ITEM 5 (P/N 20199) AND ITEM 14 (P/N 105277) TO BE ROTATED TO AN ANGLE THAT WILL MATCH THE OTHER SPRAY NOZZLES ON NEXT 4 MATING HOSE FITTING
  - 5.1 SEE INSTRUCTIONAL DRAWING 280ALC1-280ALC3 FOR INSTALLATION OF THIS ASSEMBLY INTO THE CONNECTION, POWER 10 AND DIRECT CONNECT STEAMER UNITS.

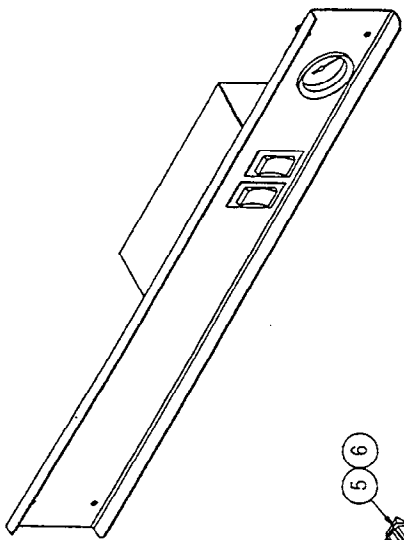
REF.	ITEM	QTY.	PART NO.	DESCRIPTION
14	1	105277	FITTING, 3/8 HOSE X 1/4 MPT	
13	1	20451	TIE, NYLON CABLE	
12	1	1043790500	HOSE, SILICONE 1/4 ID X 1/2 OD X 5	
11	1	107032	CHECK VALVE, PLASTIC DIAPHRAGM	
10	1	1043790300	HOSE, SILICONE 1/4 ID X 1/2 OD X 3	
9	3	14883	CLAMP, HOSE, NYLON	
8	1	05238	ELBOW, 1/4 X 90°, BRASS	
7	1	14411	NIPPLE, 1/4 X 1.5", BRASS	
6	1	104381	FITTING, 1/4 HOSE X 1/4 MPT	
5	1	20199	TEE, 1/4 BRASS	
4	1	104081	NUT, HEX JAM 5/8-18 BRASS	
3	1	104232	WASHER, FLAT 5/8	
2	1	104082	GASKET, STEAM INJECTOR	
1	1	104009	FITTING ASSY., STEAM SUPPLY	

TOLERANCES	DECIMAL	ANGULAR	± IN/A
(EXCEPT AS NOTED)	± 1/16" ± 1/32"	± 1/4°	± 1/4°

CLEVELAND RANGE, INC.	
1333 East 179th St. Cleveland, Ohio 44110-2574	
SCALE	DRAWN BY
3/16"=1"	BJT/CHMAN
TITLE	APPROVED BY
BREATHER/SPRAY NOZZLE ASSY. (3/8" HOSE) CONNECTION, POWER 10 AND D.C. 10	
DATE	DRAWING NO.
09-15-94	C - 107059
CK	REV. A

THIS DESIGN DESCRIBES A PROPRIETARY ITEM AND IS THE PROPERTY OF CLEVELAND RANGE. THIS DRAWING IS NOT TO BE COPIED OR USED WITHOUT THE APPROVAL OF CLEVELAND RANGE.

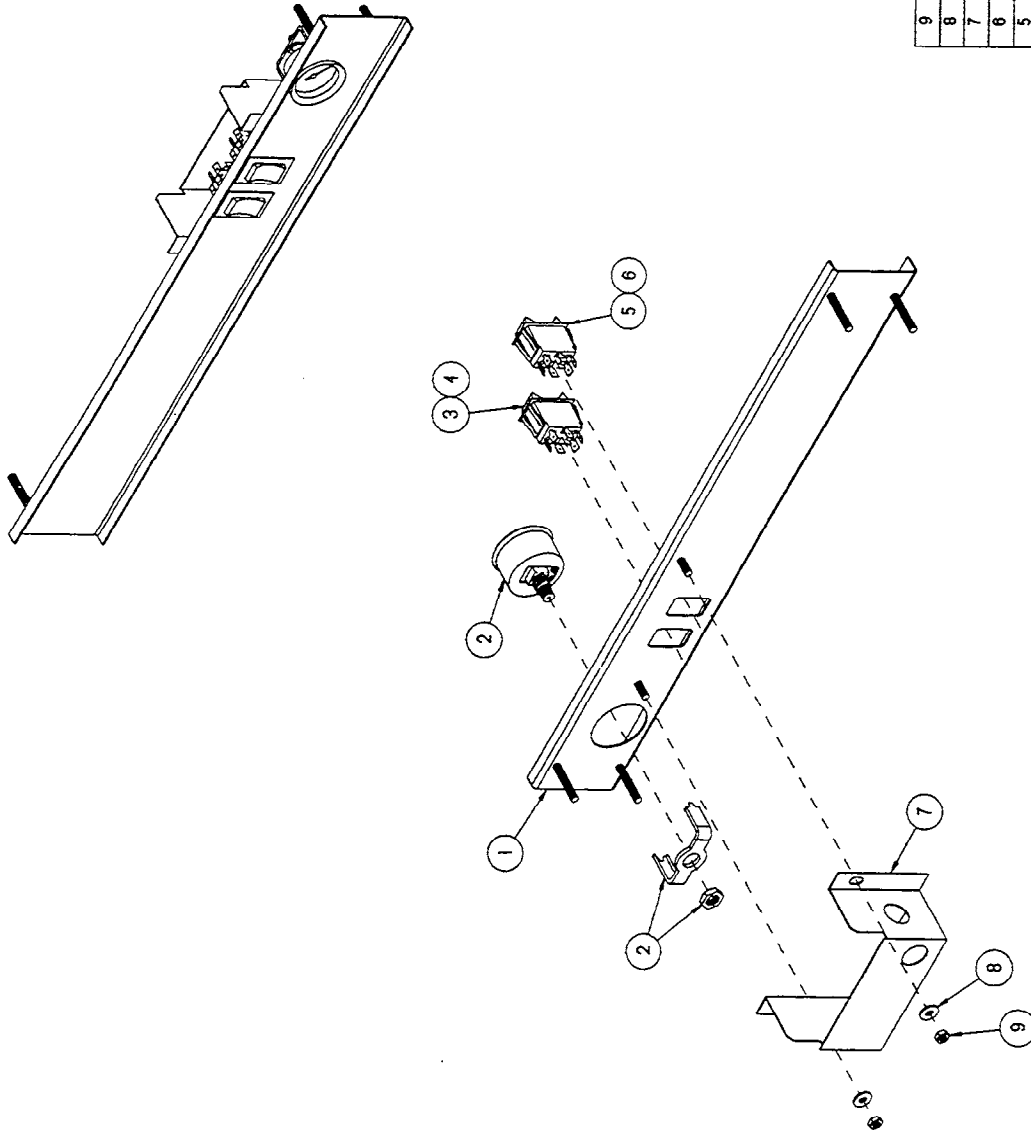
LET	REVISIONS	DATE	BY
A	DELETED P/H 23116. P/H'S REVISED:	05-19-94	EAG
-	1) 105133 WAS 1041543. 2) 105134 WAS		
-	1041544. 3) 105135 WAS 1041545.		
-	4) 1051331 WAS 104154. 5) 1051341 WAS		
-	1041541. 6) 1051331 WAS 1041542.		
-	7) P/H 106740 WAS 105516. E.O. C-2843		



ITEM	QTY.	PART NO.	DESCRIPTION
8	2	14665	NUT, HEX LOCK ELASTIC, 1/4-20, S/S
7	1	106740	BOX, SWITCH PROTECTION
6	1	15018	LABEL, POWER, CONSOLE SWITCH
5	1	19993	SWITCH, ROCKER, DPDT, ON-OFF, 6 AMP
4	1	15019	LABEL, STEAM-CONSOLE SWITCH
3	1	19994	SWITCH, ROCKER, SPST, 15 AMP
2	1	07168	GAUGE, PRESSURE, BACK MOUNT, 10 PSI
	1	1051351	CONSOLE STUD ASSY, 1050 MM 1 SWITCH
	1	1051341	CONSOLE STUD ASSY, 900 MM 1 SWITCH
1	1	1051331	CONSOLE STUD ASSY, 600 MM 1 SWITCH
	1	105135	CONSOLE STUD ASSY, 1050 MM 2 SWITCH
	1	105134	CONSOLE STUD ASSY, 900 MM 2 SWITCH
	1	105133	CONSOLE STUD ASSY, 600 MM 2 SWITCH

TOLERANCES UNLESS NOTED	SCALE	DRAWN BY	DUTCHMAN	APPROVED BY
± .005	3/8			
± .010				
± .015				
± .020				
± .030				
± .040				
± .050				
± .060				
± .070				
± .080				
± .090				
± .100				
± .120				
± .150				
± .200				
± .250				
± .300				
± .375				
± .450				
± .500				
± .625				
± .750				
± .875				
± 1.000				
± 1.250				
± 1.500				
± 1.750				
± 2.000				
± 2.500				
± 3.000				
± 3.750				
± 4.500				
± 5.000				
± 6.250				
± 7.500				
± 8.750				
± 10.000				
± 12.500				
± 15.000				
± 17.500				
± 20.000				
± 25.000				
± 30.000				
± 37.500				
± 45.000				
± 50.000				
± 62.500				
± 75.000				
± 87.500				
± 100.000				
± 125.000				
± 150.000				
± 175.000				
± 200.000				
± 250.000				
± 300.000				
± 375.000				
± 450.000				
± 500.000				
± 625.000				
± 750.000				
± 875.000				
± 1000.000				
± 1250.000				
± 1500.000				
± 1750.000				
± 2000.000				
± 2500.000				
± 3000.000				
± 3750.000				
± 4500.000				
± 5000.000				
± 6250.000				
± 7500.000				
± 8750.000				
± 10000.000				
± 12500.000				
± 15000.000				
± 17500.000				
± 20000.000				
± 25000.000				
± 30000.000				
± 37500.000				
± 45000.000				
± 50000.000				
± 62500.000				
± 75000.000				
± 87500.000				
± 100000.000				
± 125000.000				
± 150000.000				
± 175000.000				
± 200000.000				
± 250000.000				
± 300000.000				
± 375000.000				
± 450000.000				
± 500000.000				
± 625000.000				
± 750000.000				
± 875000.000				
± 1000000.000				
± 1250000.000				
± 1500000.000				
± 1750000.000				
± 2000000.000				
± 2500000.000				
± 3000000.000				
± 3750000.000				
± 4500000.000				
± 5000000.000				
± 6250000.000				
± 7500000.000				
± 8750000.000				
± 10000000.000				
± 12500000.000				
± 15000000.000				
± 17500000.000				
± 20000000.000				
± 25000000.000				
± 30000000.000				
± 37500000.000				
± 45000000.000				
± 50000000.000				
± 62500000.000				
± 75000000.000				
± 87500000.000				
± 100000000.000				
± 125000000.000				
± 150000000.000				
± 175000000.000				
± 200000000.000				
± 250000000.000				
± 300000000.000				
± 375000000.000				
± 450000000.000				
± 500000000.000				
± 625000000.000				
± 750000000.000				
± 875000000.000				
± 1000000000.000				
± 1250000000.000				
± 1500000000.000				
± 1750000000.000				
± 2000000000.000				
± 2500000000.000				
± 3000000000.000				
± 3750000000.000				
± 4500000000.000				
± 5000000000.000				
± 6250000000.000				
± 7500000000.000				
± 8750000000.000				
± 10000000000.000				
± 12500000000.000				
± 15000000000.000				
± 17500000000.000				
± 20000000000.000				
± 25000000000.000				
± 30000000000.000				
± 37500000000.000				
± 45000000000.000				
± 50000000000.000				
± 62500000000.000				
± 75000000000.000				
± 87500000000.000				
± 100000000000.000				
± 125000000000.000				
± 150000000000.000				
± 175000000000.000				
± 200000000000.000				
± 250000000000.000				
± 300000000000.000				
± 375000000000.000				
± 450000000000.000				
± 500000000000.000				
± 625000000000.000				
± 750000000000.000				
± 875000000000.000				
± 1000000000000.000				
± 1250000000000.000				
± 1500000000000.000				
± 1750000000000.000				
± 2000000000000.000				
± 2500000000000.000				
± 3000000000000.000				
± 3750000000000.000				
± 4500000000000.000				
± 5000000000000.000				
± 6250000000000.000				
± 7500000000000.000				
± 8750000000000.000				
± 10000000000000.000				
± 12500000000000.000				
± 15000000000000.000				
± 17500000000000.000				
± 20000000000000.000				
± 25000000000000.000				
± 30000000000000.000				
± 37500000000000.000				
± 45000000000000.000				
± 50000000000000.000				
± 62500000000000.000				
± 75000000000000.000				
± 87500000000000.000				
± 100000000000000.000				
± 125000000000000.000				
± 150000000000000.000				
± 175000000000000.000				
± 200000000000000.000				
± 250000000000000.000				
± 300000000000000.000				
± 375000000000000.000				
± 450000000000000.000				
± 500000000000000.000				
± 625000000000000.000				
± 750000000000000.000				
± 875000000000000.000				
± 1000000000000000.000				
± 1250000000000000.000				
± 1500000000000000.000				
± 1750000000000000.000				
± 2000000000000000.000				
± 2500000000000000.000				
± 3000000000000000.000				
± 3750000000000000.000				
± 4500000000000000.000				
± 5000000000000000.000				
± 6250000000000000.000				
± 7500000000000000.000				
± 8750000000000000.000				
± 10000000000000000.000				
± 12500000000000000.000				
± 15000000000000000.000				
± 17500000000000000.000				

LET REVISIONS DATE BY



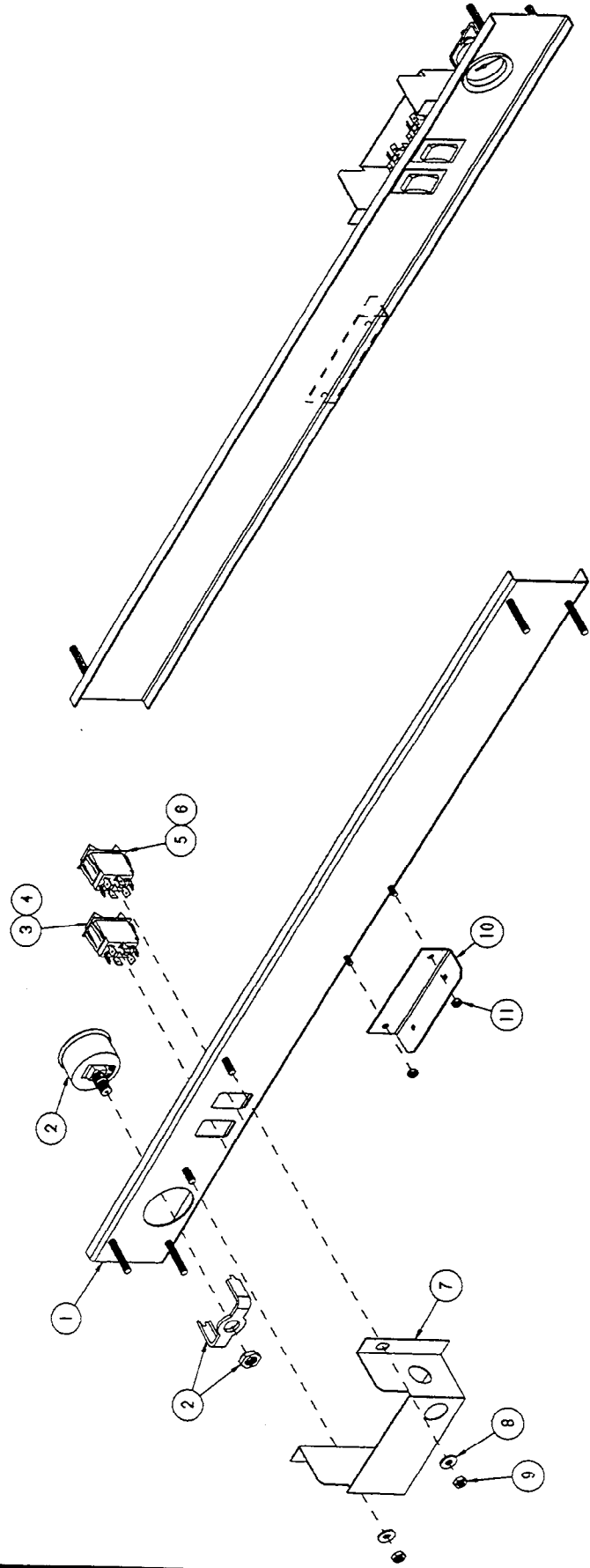
ITEM	QTY.	PART NO.	DESCRIPTION
9	2	14865	NUT, HEX LOCK ELASTIC, 1/4-20, S/S
8	2	23116	WASHER, FLAT, 1/4 1D X 5/8 OD X .085
7	1	105518	BOX, SWITCH PROTECTION
6	1	15018	LABEL, POWER, CONSOLE SWITCH
5	1	19993	SWITCH, ROCKER, DPDT, ON-OFF, 6 AMP
4	1	15019	LABEL, STEAM-CONSOLE SWITCH
3	1	19994	SWITCH, ROCKER, SPST, 15 AMP
2	1	07168	GAUGE, PRESSURE, BACK MOUNT, 10 PSI
1	1	1041543	CONSOLE STUD ASSY, 900 MM 2 SWITCH

TOLERANCES (UNLESS AS NOTED)		CLEVELAND RANGE INC. 1333 East 179th St. Cleveland, Ohio 44110-2574	
DECIMAL	SCALE	DRAWN BY	APPROVED BY
+ .001	3/8	E. GRIVEAS	NLT
ANGULAR	TITLE	CONSOLE ASSY, 800 MM, 2 SWITCH CONTROL	
± .1°	DATE	DRAWING NO.	REV
CK	10-08-93	C - 1048073	-

THIS DESIGN DESCRIBES A PROPRIETARY ITEM AND IS THE PROPERTY OF CLEVELAND RANGE. THIS DRAWING IS NOT TO BE COPIED OR USED WITHOUT THE APPROVAL OF CLEVELAND RANGE.



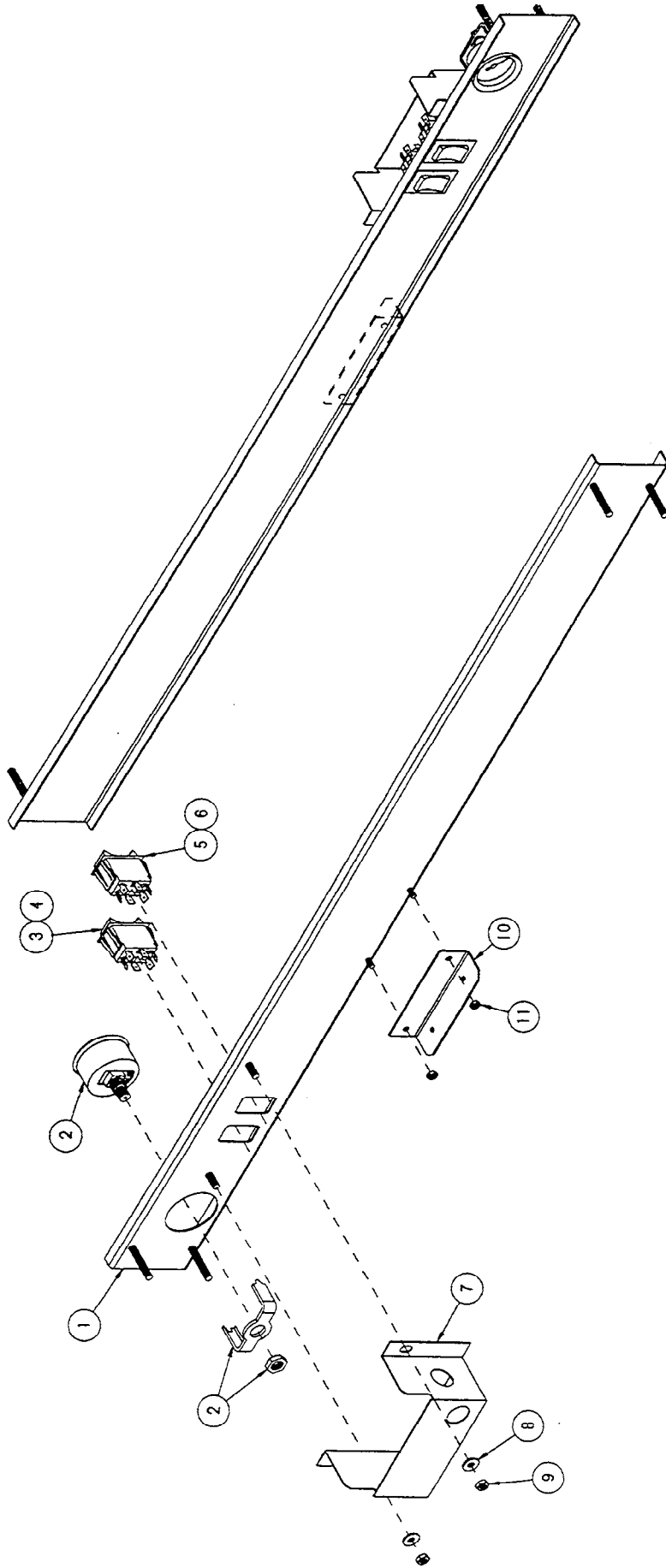




ITEM	QTY.	PART NO.	DESCRIPTION
11	2	14692	NUT, HEX LOCK ELASTIC, 10-24 ZINC PL
10	1	102535	BRACKET, MAGNET MOUNT
9	2	14865	NUT, HEX LOCK ELASTIC, 1/4-20, S/S
8	2	23116	WASHER, FLAT, 1/4 10 X 5/8 OD X .08
7	1	105516	BOX, SWITCH PROTECTION
6	1	15018	LABEL, POWER, CONSOLE SWITCH
5	1	19993	SWITCH, ROCKER, DPDT, ON-OFF, 6 AMP
4	1	15019	LABEL, STEAM-CONSOLE SWITCH
3	1	19994	SWITCH, ROCKER, SPST, 15 AMP
2	1	07168	GAUGE, PRESSURE, BACK MOUNT, 10 PSI
1	1	1041544	CONSOLE STUD ASSY, 900 MM 2 SWITCH

TOLERANCES (unless otherwise noted)		CLEVELAND RANGE INC.	
DECIMAL	ANGULAR	1333 East 179th St. Cleveland, Ohio 44110-2574	
± .004	± 1°	SCALE	3/8"
		DRAWN BY	E. GRIVEAS
		TITLE	CONSOLE ASSY, 900 MM, 2 SWITCH CONTROL
		DATE	09-20-93
		REV	C - 1048074

THIS DESIGN DESCRIBES A PROPRIETARY ITEM AND IS THE PROPERTY OF CLEVELAND RANGE. THIS DRAWING IS NOT TO BE COPIED OR USED WITHOUT THE APPROVAL OF CLEVELAND RANGE.



ITEM	QTY.	PART NO.	DESCRIPTION
11	2	14692	NUT, HEX LOCK ELASTIC, 10-24 ZINC PL
10	1	102535	BRACKET, MAGNET MOUNT
9	2	14665	NUT, HEX LOCK ELASTIC, 1/4-20, S/S
8	2	23116	WASHER, FLAT, 1/4 ID X 5/8 OD X .08
7	1	105516	BOX, SWITCH PROTECTION
6	1	15018	LABEL, POWER, CONSOLE SWITCH
5	1	19993	SWITCH, ROCKER, DPDT, ON-OFF, 6 AMP
4	1	15019	LABEL, STEAM-CONSOLE SWITCH
3	1	19994	SWITCH, ROCKER, SPST, 15 AMP
2	1	07168	GAUGE, PRESSURE, BACK MOUNT, 10 PSI
1	1	1041545	CONSOLE STUD ASSY, 1050 MM, 2 SWITCH

TOLERANCES (UNLESS AS NOTED)			
DECIMAL	SCALE	DRAWN BY	APPROVED BY
± N/A	3/8	E. GRIVEAS	MLT
ANGULAR	TITLE	CONSOLE ASSY, 1050 MM. 2 SWITCH CONTROL	
± 1°		DATE	REV
CK		08-17-93	-
		DRAWING NO.	C - 1048075

CLEVELAND RANGE INC.  
1333 East 179th St. Cleveland, Ohio 44110-2514

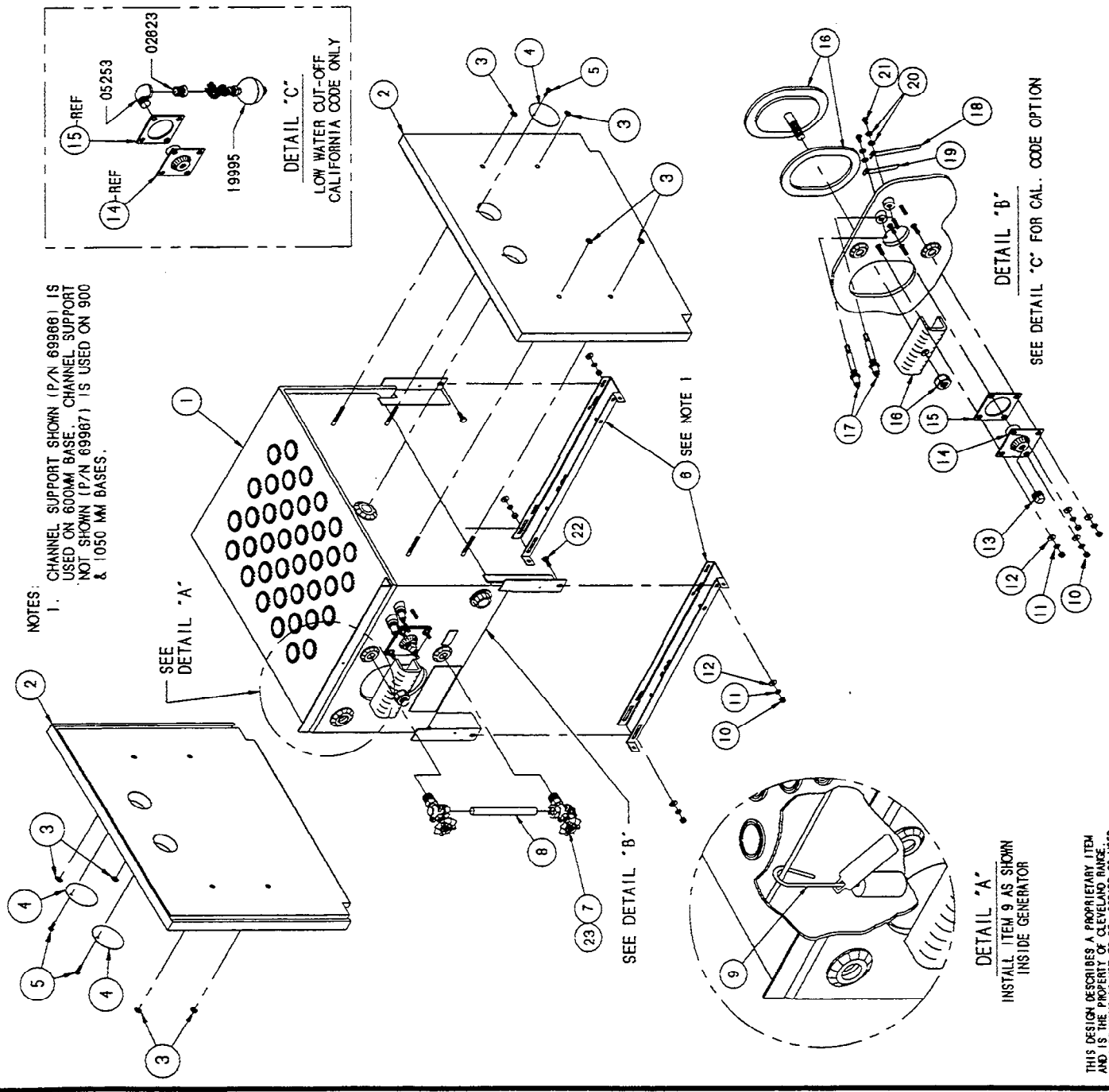
THIS DESIGN DESCRIBES A PROPRIETARY ITEM AND IS THE PROPERTY OF CLEVELAND RANGE. THIS DRAWING IS NOT TO BE COPIED OR USED WITHOUT THE APPROVAL OF CLEVELAND RANGE.

LET	REVISIONS	DATE	BY
23	A/V		
22	4		
21	2		
20	4		
19	1		
18	1		
17	2		
16	1		
15	1		
14	1		
13	1		
12	8		
11	8		
10	8		
9	1		
8	-		
5	3		
4	3		
3	8		
2	-		
1	1		

NO.	QTY.	PART NO.	DESCRIPTION
23	1	00934	SEALANT, RECTORSAL
22	4	19288	SCREW, HEX HEAD, 1/4-20 X 3/4
21	2	19218	SCREW, HEX HEAD, 1/4-20 X 3/8 S/S
20	4	23151	WASHER, INTERNAL TOOTH LOCK, 1/4
19	1	82452	EXTENSION, WATER PROBE 1/2 X 3-1/8
18	1	82453	EXTENSION, WATER PROBE, 1/2 X 1-5/8
17	2	18871	PROBE WARRIOR, 4-5/16" LG
16	1	40421	HAND HOLE PLATE & BAR ASSM
15	1	07128	GASKET, HEATER
14	1	41943	PLATE, MOUNTING
13	1	18802	FLUD, SQUARE 1/2 PIPE, BLACK
12	8	23116	WASHER, FLAT, 1/4 S/S
11	8	23105	WASHER, SPLIT LOCK, 1/4 S/S
10	8	14818	NUT, HEX, 1/4 - 20 S/S
9	1	43895	ANODE ASSM CORROSION PREVENTATIVE
8	1	07302	GAUGE, WATER, 5/8 X 6, GLASS
7	1	07176	GAUGE, FITTINGS, WATER, 1/2"
6	-	89968	SUPPORT, GEN. MTG. CHANNEL 600M S/S
5	3	89967	SUPPORT, GEN MTG CHANNEL 900/1050M
4	3	19116	SCREW, HEX WASH HD, #10 X 1/2
3	8	14203	FASTENER, PUSHNUT, 1/4" STD DIA.
2	-	100982	PANEL, INSULATION ASM, RIALT LP
1	1	40721	GENERATOR ASSY, GAS-WELDMENT

TOLERANCES (UNLESS NOTED)		CLEVELAND RANGE INC.	
DECIMAL	± .001	1333 East 178th St. Cleveland, Ohio 44116-2374	
ANGULAR	± .001	SCALE	3/8" = 1"
CK	08-11-93	DRAWN BY	GRUYAS
		TITLE	GAS GENERATOR ASSEMBLY
			3/4 BURNER, W/ REFERENCE PARTS
		DATE	08-11-93
		DRAWING NO.	C-40721WP
		REV.	-

NOTES:  
 1. CHANNEL SUPPORT SHOWN (P/N 89968) IS USED ON 600MM BASE. CHANNEL SUPPORT NOT SHOWN (P/N 89967) IS USED ON 900 & 1050 MM BASES.



DETAIL "A"  
 INSTALL ITEM 9 AS SHOWN  
 INSIDE GENERATOR

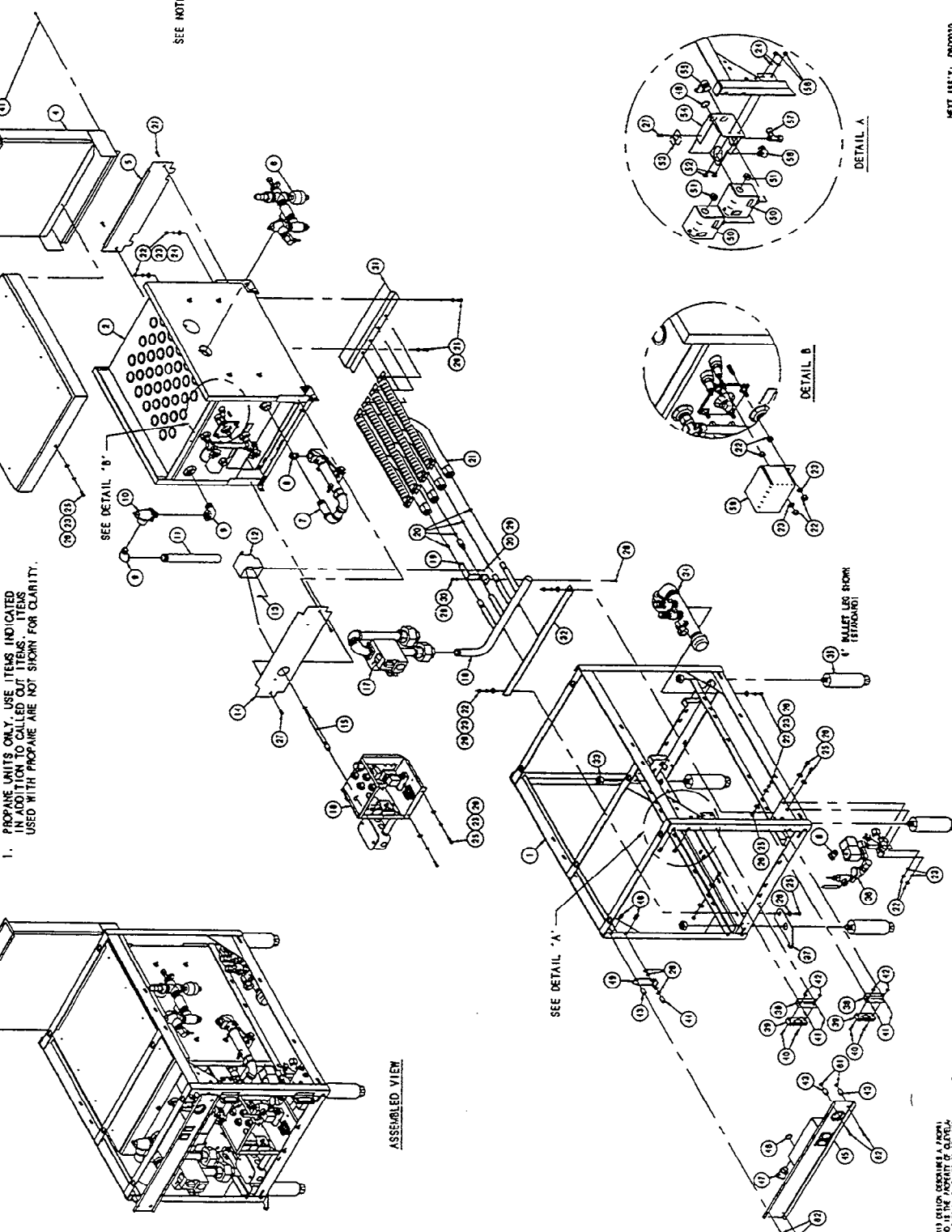
DETAIL "B"  
 SEE DETAIL "C" FOR CAL. CODE OPTION

DETAIL "C"  
 LOW WATER CUT-OFF  
 CALIFORNIA CODE ONLY

THIS DESIGN DESCRIBES A PROPRIETARY ITEM AND IS THE PROPERTY OF CLEVELAND RANGE. THIS DRAWING IS NOT TO BE COPIED OR USED WITHOUT THE APPROVAL OF CLEVELAND RANGE.

REV.	REVISIONS	DATE BY
A	ADD P/N 10404, P/N 20118 AS	10-20-51/AG
	- 07121, P/N 10409 AS 1041	
	- P/N E.O. 40-2013	

QTY	PART NO.	DESCRIPTION	REF
1	10404	COVER, FRONT	
1	10405	COVER, REAR	
1	10406	COVER, TOP	
1	10407	COVER, BOTTOM	
1	10408	COVER, SIDE	
1	10409	COVER, END	
1	10410	COVER, LEG	
1	10411	COVER, FOOT	
1	10412	COVER, HANDLE	
1	10413	COVER, LOCK	
1	10414	COVER, BUSH	
1	10415	COVER, RING	
1	10416	COVER, PIN	
1	10417	COVER, WASHER	
1	10418	COVER, NUT	
1	10419	COVER, SCREW	
1	10420	COVER, BRACKET	
1	10421	COVER, PLATE	
1	10422	COVER, GASKET	
1	10423	COVER, O-RING	
1	10424	COVER, SEAL	
1	10425	COVER, GROMMET	
1	10426	COVER, BUSHING	
1	10427	COVER, COLLAR	
1	10428	COVER, WEDGE	
1	10429	COVER, PINNACLE	
1	10430	COVER, RIVET	
1	10431	COVER, BRACKET	
1	10432	COVER, PLATE	
1	10433	COVER, GASKET	
1	10434	COVER, O-RING	
1	10435	COVER, SEAL	
1	10436	COVER, GROMMET	
1	10437	COVER, BUSHING	
1	10438	COVER, COLLAR	
1	10439	COVER, WEDGE	
1	10440	COVER, PINNACLE	
1	10441	COVER, RIVET	
1	10442	COVER, BRACKET	
1	10443	COVER, PLATE	
1	10444	COVER, GASKET	
1	10445	COVER, O-RING	
1	10446	COVER, SEAL	
1	10447	COVER, GROMMET	
1	10448	COVER, BUSHING	
1	10449	COVER, COLLAR	
1	10450	COVER, WEDGE	
1	10451	COVER, PINNACLE	
1	10452	COVER, RIVET	
1	10453	COVER, BRACKET	
1	10454	COVER, PLATE	
1	10455	COVER, GASKET	
1	10456	COVER, O-RING	
1	10457	COVER, SEAL	
1	10458	COVER, GROMMET	
1	10459	COVER, BUSHING	
1	10460	COVER, COLLAR	
1	10461	COVER, WEDGE	
1	10462	COVER, PINNACLE	
1	10463	COVER, RIVET	
1	10464	COVER, BRACKET	
1	10465	COVER, PLATE	
1	10466	COVER, GASKET	
1	10467	COVER, O-RING	
1	10468	COVER, SEAL	
1	10469	COVER, GROMMET	
1	10470	COVER, BUSHING	
1	10471	COVER, COLLAR	
1	10472	COVER, WEDGE	
1	10473	COVER, PINNACLE	
1	10474	COVER, RIVET	
1	10475	COVER, BRACKET	
1	10476	COVER, PLATE	
1	10477	COVER, GASKET	
1	10478	COVER, O-RING	
1	10479	COVER, SEAL	
1	10480	COVER, GROMMET	
1	10481	COVER, BUSHING	
1	10482	COVER, COLLAR	
1	10483	COVER, WEDGE	
1	10484	COVER, PINNACLE	
1	10485	COVER, RIVET	
1	10486	COVER, BRACKET	
1	10487	COVER, PLATE	
1	10488	COVER, GASKET	
1	10489	COVER, O-RING	
1	10490	COVER, SEAL	
1	10491	COVER, GROMMET	
1	10492	COVER, BUSHING	
1	10493	COVER, COLLAR	
1	10494	COVER, WEDGE	
1	10495	COVER, PINNACLE	
1	10496	COVER, RIVET	
1	10497	COVER, BRACKET	
1	10498	COVER, PLATE	
1	10499	COVER, GASKET	
1	10500	COVER, O-RING	
1	10501	COVER, SEAL	
1	10502	COVER, GROMMET	
1	10503	COVER, BUSHING	
1	10504	COVER, COLLAR	
1	10505	COVER, WEDGE	
1	10506	COVER, PINNACLE	
1	10507	COVER, RIVET	
1	10508	COVER, BRACKET	
1	10509	COVER, PLATE	
1	10510	COVER, GASKET	
1	10511	COVER, O-RING	
1	10512	COVER, SEAL	
1	10513	COVER, GROMMET	
1	10514	COVER, BUSHING	
1	10515	COVER, COLLAR	
1	10516	COVER, WEDGE	
1	10517	COVER, PINNACLE	
1	10518	COVER, RIVET	
1	10519	COVER, BRACKET	
1	10520	COVER, PLATE	
1	10521	COVER, GASKET	
1	10522	COVER, O-RING	
1	10523	COVER, SEAL	
1	10524	COVER, GROMMET	
1	10525	COVER, BUSHING	
1	10526	COVER, COLLAR	
1	10527	COVER, WEDGE	
1	10528	COVER, PINNACLE	
1	10529	COVER, RIVET	
1	10530	COVER, BRACKET	
1	10531	COVER, PLATE	
1	10532	COVER, GASKET	
1	10533	COVER, O-RING	
1	10534	COVER, SEAL	
1	10535	COVER, GROMMET	
1	10536	COVER, BUSHING	
1	10537	COVER, COLLAR	
1	10538	COVER, WEDGE	
1	10539	COVER, PINNACLE	
1	10540	COVER, RIVET	
1	10541	COVER, BRACKET	
1	10542	COVER, PLATE	
1	10543	COVER, GASKET	
1	10544	COVER, O-RING	
1	10545	COVER, SEAL	
1	10546	COVER, GROMMET	
1	10547	COVER, BUSHING	
1	10548	COVER, COLLAR	
1	10549	COVER, WEDGE	
1	10550	COVER, PINNACLE	
1	10551	COVER, RIVET	
1	10552	COVER, BRACKET	
1	10553	COVER, PLATE	
1	10554	COVER, GASKET	
1	10555	COVER, O-RING	
1	10556	COVER, SEAL	
1	10557	COVER, GROMMET	
1	10558	COVER, BUSHING	
1	10559	COVER, COLLAR	
1	10560	COVER, WEDGE	
1	10561	COVER, PINNACLE	
1	10562	COVER, RIVET	
1	10563	COVER, BRACKET	
1	10564	COVER, PLATE	
1	10565	COVER, GASKET	
1	10566	COVER, O-RING	
1	10567	COVER, SEAL	
1	10568	COVER, GROMMET	
1	10569	COVER, BUSHING	
1	10570	COVER, COLLAR	
1	10571	COVER, WEDGE	
1	10572	COVER, PINNACLE	
1	10573	COVER, RIVET	
1	10574	COVER, BRACKET	
1	10575	COVER, PLATE	
1	10576	COVER, GASKET	
1	10577	COVER, O-RING	
1	10578	COVER, SEAL	
1	10579	COVER, GROMMET	
1	10580	COVER, BUSHING	
1	10581	COVER, COLLAR	
1	10582	COVER, WEDGE	
1	10583	COVER, PINNACLE	
1	10584	COVER, RIVET	
1	10585	COVER, BRACKET	
1	10586	COVER, PLATE	
1	10587	COVER, GASKET	
1	10588	COVER, O-RING	
1	10589	COVER, SEAL	
1	10590	COVER, GROMMET	
1	10591	COVER, BUSHING	
1	10592	COVER, COLLAR	
1	10593	COVER, WEDGE	
1	10594	COVER, PINNACLE	
1	10595	COVER, RIVET	
1	10596	COVER, BRACKET	
1	10597	COVER, PLATE	
1	10598	COVER, GASKET	
1	10599	COVER, O-RING	
1	10600	COVER, SEAL	

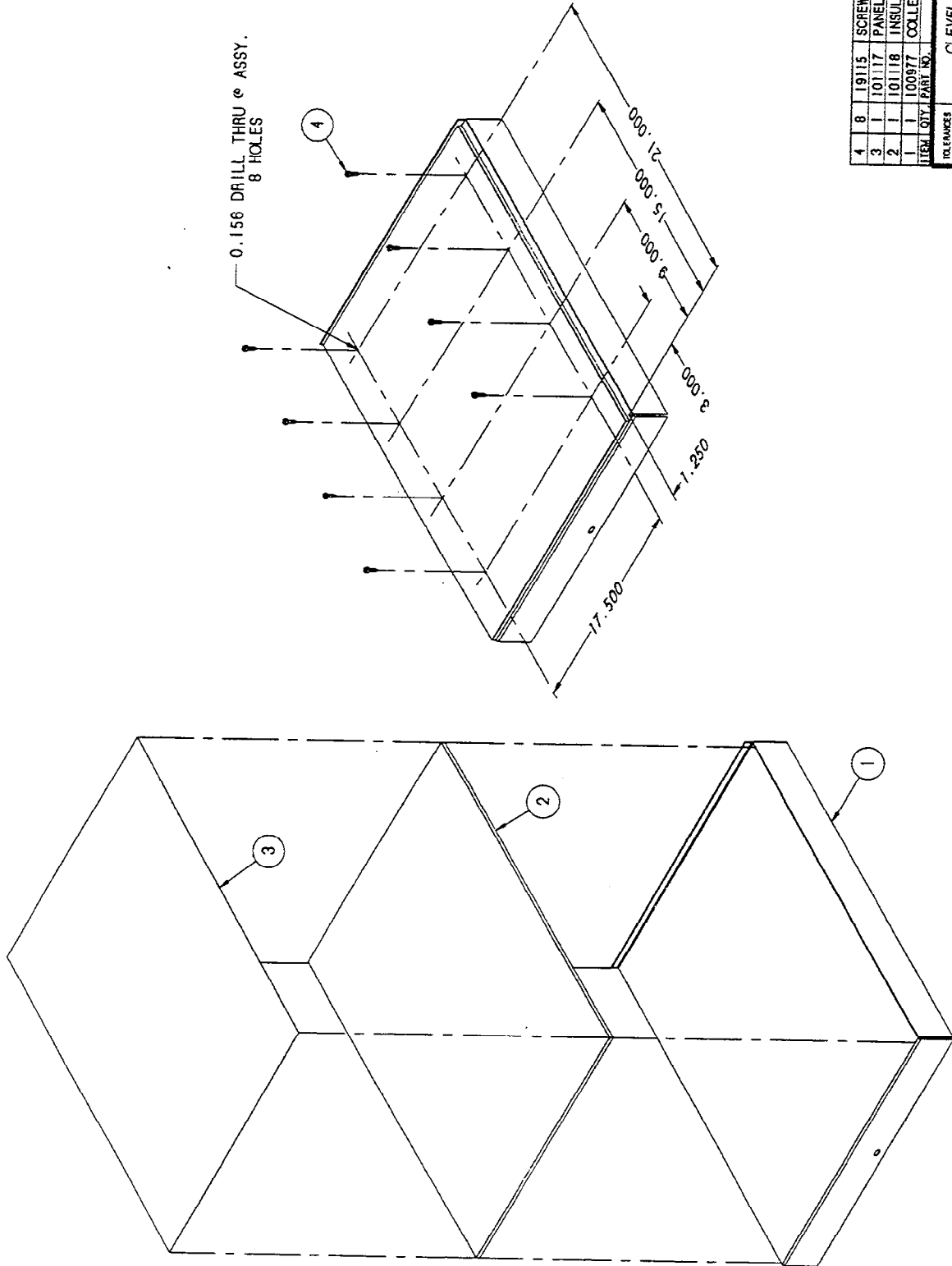


NOTES:  
 1. PROPANE UNITS ONLY. USE ITEMS INDICATED IN ADDITION TO CALLED OUT ITEMS. ITEMS USED WITH PROPANE ARE NOT SHOWN FOR CLARITY.

THIS DRAWING OBTAINED FROM THE ARCHIVE OF CLEVELAND RANGE, INC. THROUGH THE KINDNESS OF CLEVELAND RANGE, INC.

KEY: 10171: 000010

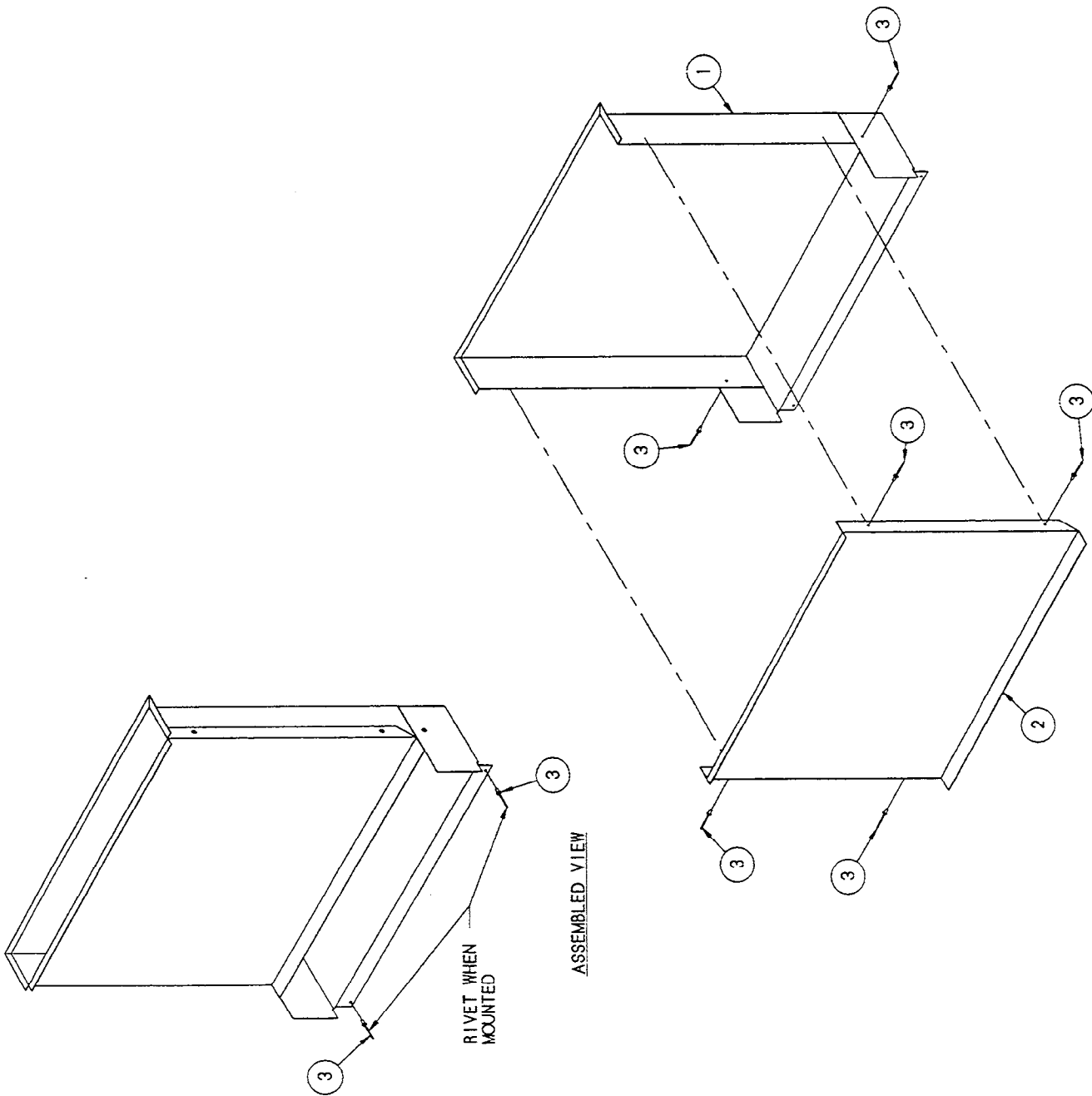
LET.	REVISIONS	DATE	BY
A	ITEM 4, WAS P/N 19287 E.O. C-1580	7-7-89	DP
B	REDRAWN & UPDATED PER B.O.M.	2-07-94	EAC
E.O. # C-2558			



4	8	19115	SCREW, HEX HEAD WASHER
3	1	10117	PANEL, INSULATION, 3/4 BURNER
2	1	10118	INSULATION, 3 & 4 BURNER
1	1	10087	COLLECTOR, TOP FLE., SM GAS
ITEM QTY PART NO. DESCRIPTION			
TOLERANCES UNLESS SHOWN			
DRAWN BY W. ERBEZHNIK APPROVED BY			
SCALE 1/4"=1" CLEVELAND, OHIO 44110-2174			
TITLE COLLECTOR ASSM. TOP FLE. SMALL GAS			
DATE	3-14-87	DRAWING NO.	C - 100981
CHK		REV	8

THIS DESIGN DESCRIBES A PROPRIETARY ITEM AND IS THE PROPERTY OF CLEVELAND RANGE. THIS DRAWING IS NOT TO BE COPIED OR USED WITHOUT THE APPROVAL OF CLEVELAND RANGE.

LET.	REVISIONS	DATE	BY



ITEM	QTY	PART NO.	DESCRIPTION
3	8	18957	RIVET, FLUSH BREAK, 1/8" DIA
2	1	101131	PANEL, FRONT, INT FLUE RISER
1	1	101132	PANEL, REAR, INT FLUE RISER

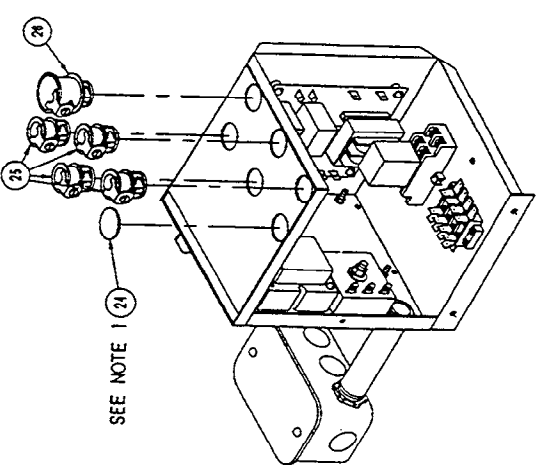
  

CLEVELAND RANGE, INC. 1333 East 125th St., Cleveland, Ohio 44110-2374	
TOLERANCES (unless otherwise noted)	DRAWN BY E. GRIVY SCALE 1/4"=1"
DECIMAL ± N/A	APPROVED BY TERNAL
FRACTIONAL ± N/A	TITLE FLUE RISER ASSEMBLY
DATE 11.00.00	DRAWING NO. C - 101130
REV. ~	REV. -

THIS DESIGN DESCRIBES A PROPRIETARY ITEM AND IS THE PROPERTY OF CLEVELAND RANGE. THIS DRAWING IS NOT TO BE COPIED OR USED

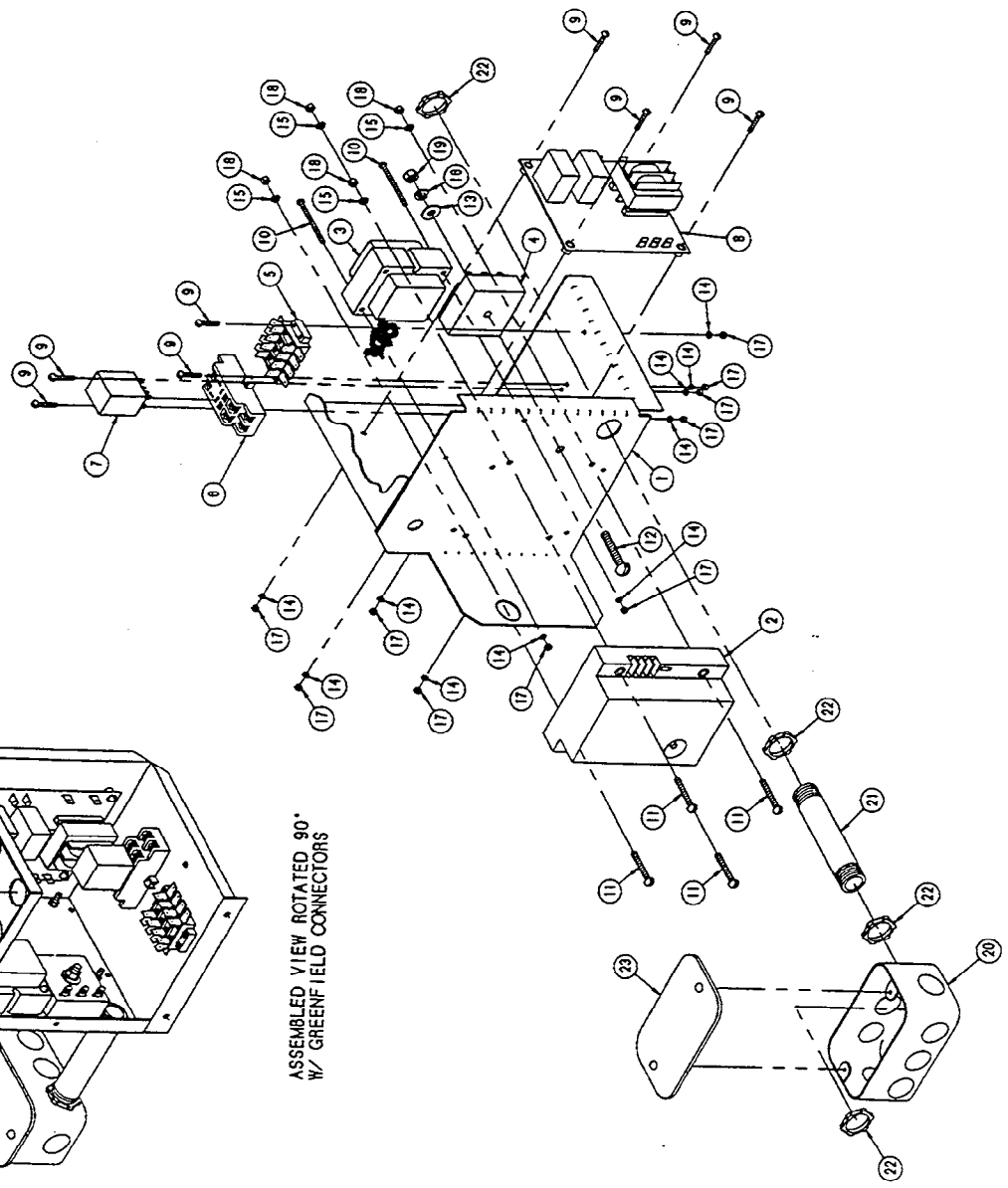
LET.	REVISIONS	DATE	BY

NOTES:  
 1. REMOVE P/N 19329 WHEN CAL. CODE / LKCO IS USED (SEE B.O.M. FOR APPROPRIATE CONNECTOR).



SEE NOTE 1 (24)

ASSEMBLED VIEW ROTATED 90° W/ GREEN FIELD CONNECTORS



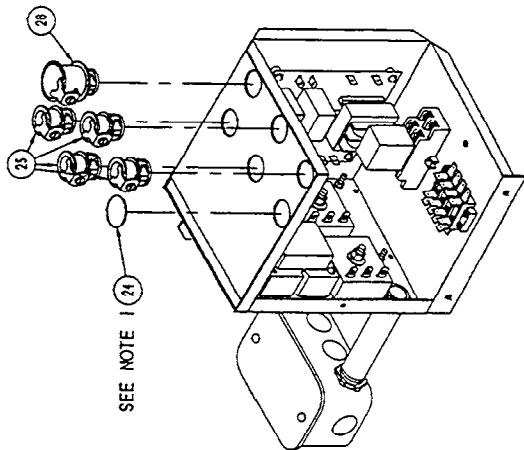
ITEM	QTY.	PART NO.	DESCRIPTION
20	1	105246	CONNECTOR, GREENFIELD, 1/2" SNAP-TITE
25	4	105243	CONNECTOR, GREENFIELD, 3/8" SNAP-TITE
24	1	19329	PLUG, SNAP-IN, 1/2" FOR 7/8" HOLE
23	1	02388	COVER, HAND-BOX
22	4	14614	NUT, LOCK, 1/2", ELECTRICAL
21	1	14334	NIPLA, 1/2" x 4", BLACK
20	1	02381	BOX, HAND-BOX, ELECTRICAL
19	1	14618	NUT, MET, 1/4"-20, 5/8", FULL FINISH
18	4	14598	NUT, MET, 8-32, ZINC PLATED
17	10	14674	NUT, MET, 8-32, ZINC PLATED
16	1	23105	WASHER, SPLIT LOCK, 1/4", 5/32
15	4	101337	WASHER, INTERNAL TOOTH LOCK, 10
14	10	23111	WASHER, INTERNAL TOOTH LOCK, 10
13	1	23116	WASHER, FLAT, 1/4" ID x .063 THK
12	1	19265	SCREW, ROUND HEAD SLOTTED, 6-32 x 1.25"
11	8	19150	SCREW, ROUND HEAD SLOTTED, 6-32 x 1.25"
10	4	19149	SCREW, ROUND HEAD SLOTTED, 6-32 x 1.25"
9	2	19163	SCREW, ROUND HEAD SLOTTED, 6-32 x 1.25"
8	1	23198	CONTROL, WATER LEVEL
7	1	03324	RELAY, 120 V., 30/200W, AC, DPDT
6	1	03225	SOCKET, RELAY
5	1	44184	TERMINAL BLOCK ASM. - 4 POLE, GAS UNITS
4	1	20178	TIMER, SOLID STATE INTERNAL, 3 MINUTE
3	1	20258	TRANSFORMER - SPARK IGNITION SUPPLY
2	1	03516	CONTROL, MODULE, DIRECT SPARK IGNITION
1	1	44139	BOX, WELDMENT, ELECTRIC FOR GAS, 2 PROBE

TOLERANCES (unless noted)		DESCRIPTION	
FRACTIONAL	+ N/A	CLEVELAND RANGE INC.	
DRAWN BY	E. GRIVEAS	1833 East 19th St. Cleveland, Ohio 44116-3874	
APPROVED BY			
TITLE	BOX, ELECTRIC ASSEMBLY		
SCALE	3/4"=1"		
DATE	2-15-94		
REV.	C - 10092901		

THIS DESIGN DESCRIBES A PROPRIETARY ITEM OF CLEVELAND RANGE. THIS DRAWING IS NOT TO BE COPIED OR USED WITHOUT THE APPROVAL OF CLEVELAND RANGE.



NOTES:  
 1. REMOVE P/N 19329 WHEN CAL. CODE / LWCO IS USED (SEE B.O.M. FOR APPROPRIATE CONNECTOR).



SEE NOTE 1 (2)

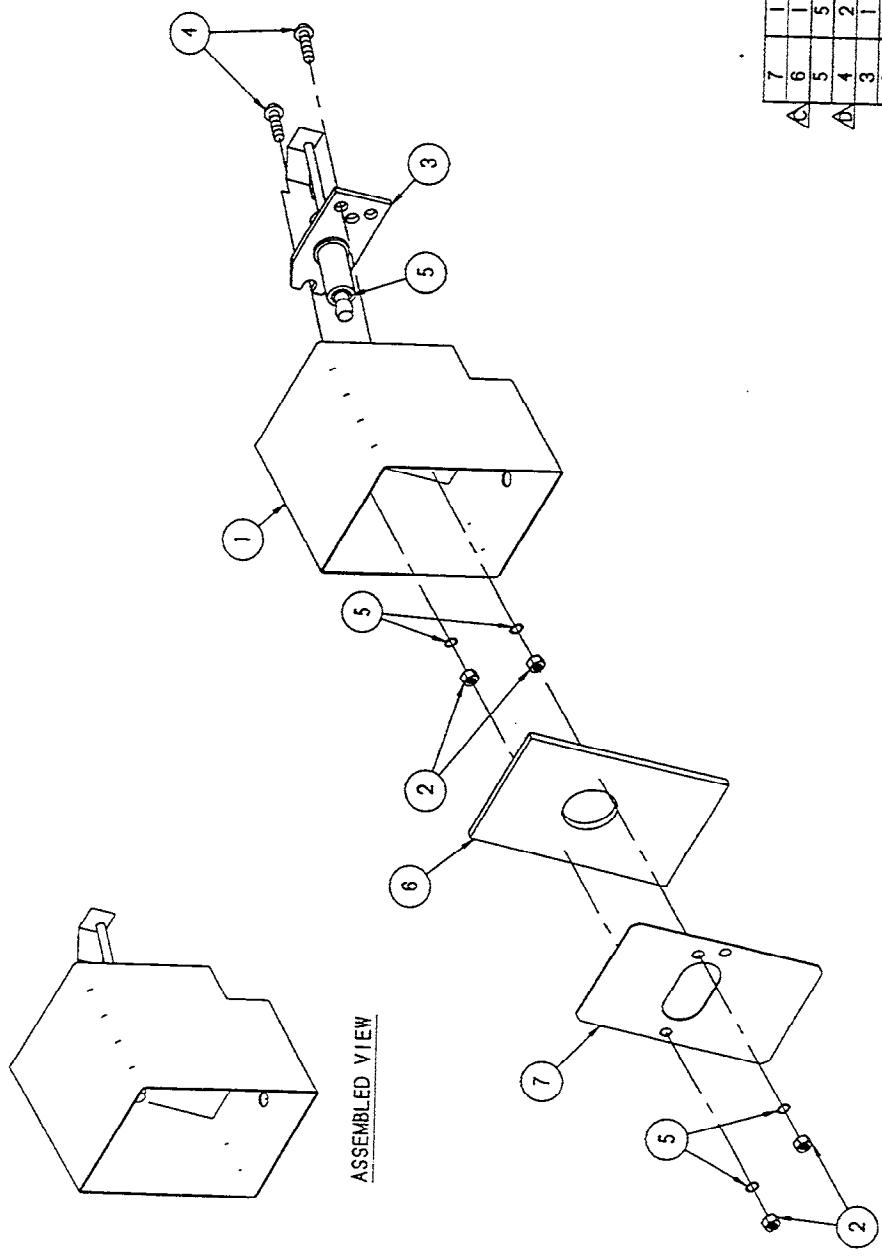
ASSEMBLED VIEW ROTATED 90° W/ GREEN FELD CONNECTORS

ITEM	QTY.	PART NO.	DESCRIPTION
28	1	104716	TIMER, RECOILING, GENERATOR W/ALUMINUM
27	1	19914	STUD, WELD, SIZE F, 1/4-20 X 1-1/2, S/S
26	1	105246	CONNECTOR, GREENFIELD, 1/2" SHAPTIITE
25	4	105243	CONNECTOR, GREENFIELD, 3/8" SHAPTIITE
24	1	19329	PLUG, SHAP-IN, 1/2" FOR 1/4" HOLE
23	1	02388	COVER, HAND-BOX
22	4	14814	NUT, LOCK, 1/2", ELECTRICAL
21	1	14334	PIPPLE, 1/2" x 1", BLACK
20	1	02381	BOX, HAND-BOX, ELECTRICAL
19	2	14818	NUT, HEX, 1/4-20, S/S, FULL FINISH
18	4	14599	NUT, HEX, 8-32, ZINC PLATED
17	10	14874	NUT, HEX, 8-32, ZINC PLATED
16	2	23105	WASHER, SPLIT LOCK, 1/4", S/S
15	4	101337	WASHER, INTERNAL TOOTH LOCK, 16
14	10	23111	WASHER, INTERNAL TOOTH LOCK, 16
13	2	23116	WASHER, FLAT, 1/4", 10 x .065, THK
12	1	19285	SCREW, ROUND HEAD, 1/4-20 x 1.5", S/S
11	8	19150	SCREW, ROUND HEAD SLOTTED, 8-32 x 1.25"
10	4	19149	SCREW, ROUND HEAD SLOTTED, 8-32 x 1.75"
9	2	19183	SCREW, ROUND HEAD SLOTTED, 8-32 x .75"
8	1	23198	CONTROL, WATER LEVEL
7	1	03524	RELAY, 120 V, 30/200HL, AC, DPDT
6	1	03525	SOCKET, RELAY
5	1	44184	TERMINAL BLOCK, ASM. - 4 POLE, GAS UNITS
4	1	20478	TIMER, SOLID STATE INTERVAL, 3 MINUTE
3	1	20258	TRANSFORMER - SPARK IGNITION SUPPLY
2	1	03540	CONTROL, MEMALE DIRECT SPARK IGNITION
1	1	44139	BOX, HELD-MNT. ELECTRIC FOR GAS, 2 PROBE

THIS DESIGN IS PROPRIETARY ITEM AND IS THE PROPERTY OF CLEVELAND RANGE. THIS DRAWING IS TO BE COPIED OR USED WITHOUT THE APPROVAL OF CLEVELAND RANGE.

**CLEVELAND RANGE, INC.**  
 1233 E. 17th St., Cleveland, OH 44115-2914  
 DRAWN BY: E. GRIVELS  
 CHECKED BY: [Blank]  
 TITLE: BOX, ELECTRIC, ASSEMBLY  
 DATE: 2-15-94  
 DRAWING NO.: C - 10092902  
 NET WT: [Blank]

LET.	REVISIONS	DATE	BY
A	WAS C-44097	1-24-84	NEAL
B	ITEM 1 WAS C-52823, ECN 1054	3-6-86	DP
C	ADD P/N B-100314 FOR ITEM 6	3-12-88	DP
D	REDRAW WAS C SIZE, P/N 19163 WAS 2-7-94		EAG
	19259, E.O.# C-2558		



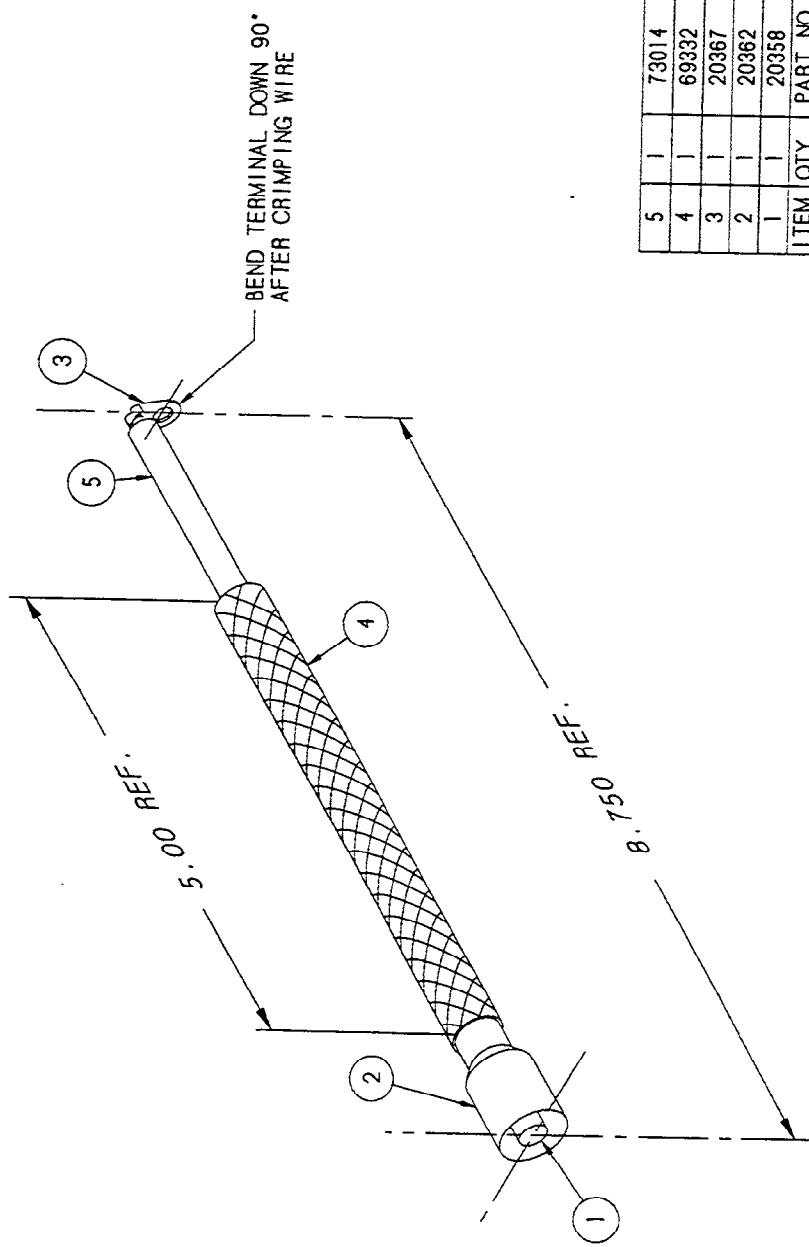
ASSEMBLED VIEW

ITEM	QTY.	PART NO.	DESCRIPTION
7	1	68149	RETAINER, INSULATION
6	1	100314	INSULATION, IGNITOR BOX
5	5	23111	WASHER, LOCK, INTERNAL TOOTH, #6
4	2	19163	SCREW, #8-32 x .75" LG.
3	1	05101	ELECTRODE, COMBINATION IGNITOR/SENSOR
2	1	14674	NUT, #8-32, HEX
1	1	52808	BOX, IGNITOR, GEN. GAS, 2 PROBE

TOLERANCES (EXCEPT AS NOTED)		CLEVELAND RANGE INC.	
1333 East 179th St., Cleveland, Ohio 44110-2574			
DECIMAL	± N/A	SCALE	5/8=1
ANGULAR	± N/A	TITLE	BOX ASM, IGNITOR
CK	DATE 12-6-94	DRAWN BY	E. LAWRENCE
		APPROVED BY	E. HENDESS
		DRAWING NO.	B - 44096
		REV.	D

THIS DESIGN DESCRIBES A PROPRIETARY ITEM AND IS THE PROPERTY OF CLEVELAND RANGE. THIS DRAWING IS NOT TO BE COPIED OR USED WITHOUT THE APPROVAL OF CLEVELAND RANGE.

LET.	REVISIONS	DATE	BY
------	-----------	------	----

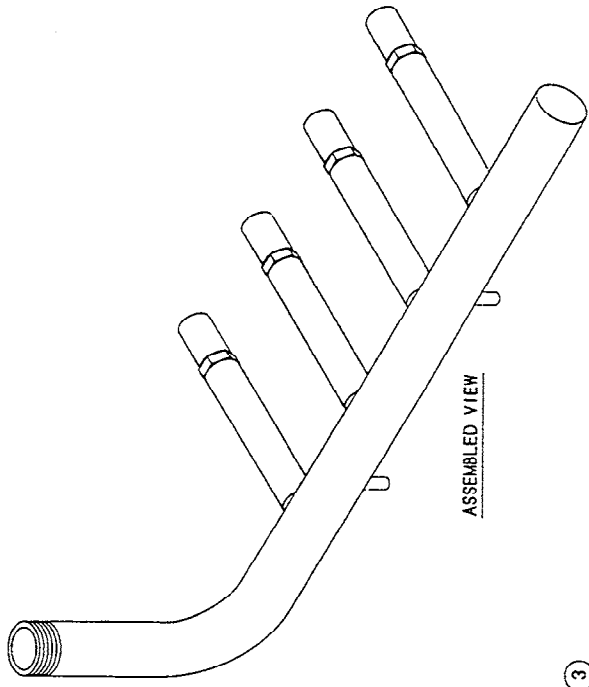


5	1	73014	WIRE, RADIX, 9" LONG
4	1	69332	SLEEVE, FIBERGLASS 5" INSULATING
3	1	20367	TERMINAL RING-#6, NON-INSULATED
2	1	20362	INSULATOR, RED SILICONE
1	1	20358	TERMINAL, IGNITION CABLE
ITEM	QTY.	PART NO.	DESCRIPTION

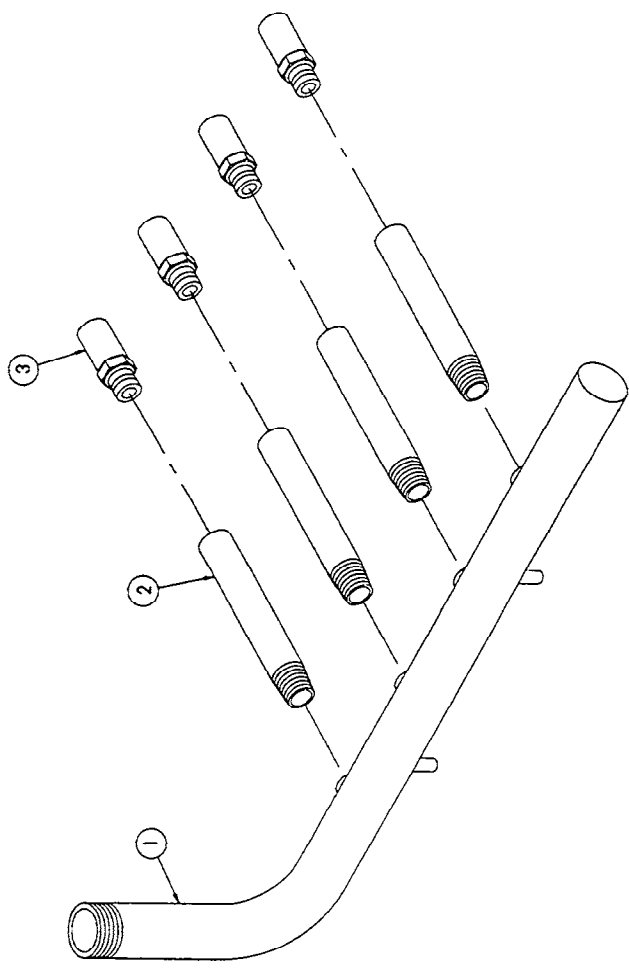
TOLERANCES (EXCEPT AS NOTED)		CLEVELAND RANGE INC.	
1333 East 179th St. Cleveland, Ohio 44110-2574		SCALE	1"=1"
DECIMAL	± N/A	DRAWN BY	E. GRIVEAS
ANGULAR	± N/A	TITLE	CABLE, IGNITION ASSEMBLY
CK		DATE	11-09-93
		DRAWING NO.	B 1169
		REV.	

THIS DESIGN DESCRIBES A PROPRIETARY ITEM AND IS THE PROPERTY OF CLEVELAND RANGE. THIS DRAWING IS TO BE COPIED OR USED WITHOUT THE APPROVAL OF CLEVELAND RANGE.

LET. REVISIONS DATE BY



ASSEMBLED VIEW

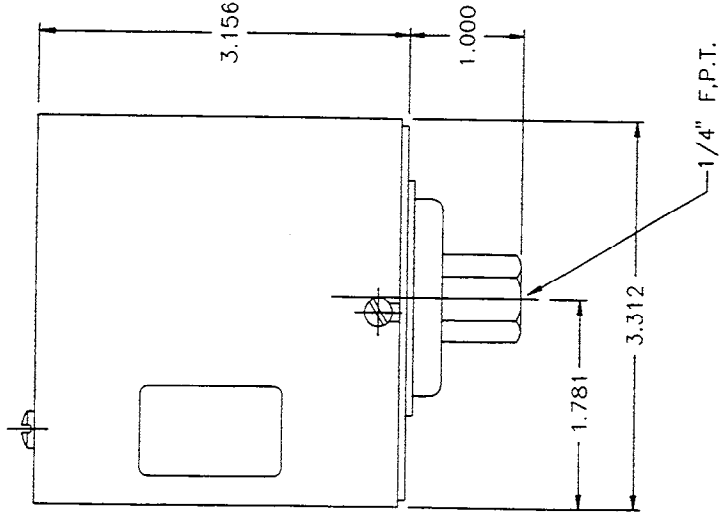
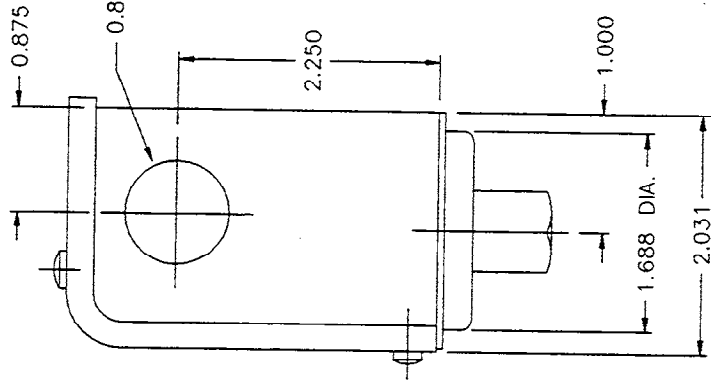


3	4	1.0832	SPIDS ORIFICE HOLDER, 5/8"
2	4	63180	EXTENSION, GAS MANIFOLD
1	1	63177	MANIFOLD, TUBE, 4 BURNER, GAS
ITEM QTY PART NO. DESCRIPTION			
CLEVELAND RANGE, INC. 1333 EAST 17TH ST. CLEVELAND, OHIO 44116-2174			
SCALE	DRAWN BY E. GRIVENS APPROVED BY		
TITLE	MANIFOLD, ASSM, R/B		
DATE	4 BURNER, GAS, 200 MBTU		
CK	11-10-93	DRAWING NO. C - 40920	

THIS DESIGN DESCRIBES A PROPRIETARY ITEM  
 AND IS THE PROPERTY OF CLEVELAND RANGE.  
 THIS DRAWING IS NOT TO BE COPIED OR USED  
 WITHOUT THE APPROVAL OF CLEVELAND RANGE.

LET.	REVISIONS	DATE	BY
A	REVISED ADJ. OPERATING RANGE SPEC.	11-28-84	RUC
-	WAS: 0.5 TO 9 PSI.	-	-
B	WAS: ADDITIVE DIFFERENTIAL	-	-
C	WAS: ADJ. DIFFERENTIAL: 1 TO 5 PSI, EO [C-2276]	07-07-86	TS
D	MODEL NO. WAS PANOMA (SUBRACTIVE DIFFERENTIAL)	07-31-92	DNP
	E.O. #2276R1	10-13-92	NLT

0.875 DIA. FOR 1/2" CONDUIT



SPECIFICATIONS:

PRESSURE ACTUATED HIGH LIMIT SAFETY CONTROL FOR STEAM HEATING BOILERS.  
 BREAKS AN ELECTRICAL CIRCUIT ON PRESSURE RISES.  
 MAX. OPERATING PRESSURE: 20 PSI  
 MAX. AMBIENT TEMPERATURE: 150° F.  
 ELECTRICAL RATING: 8.0 F.L.A. AT 120V. AC  
 SWITCH: PRESSURE ACTUATED SPST, SNAP-ACTION  
 ADJUSTMENT MEANS: OPERATING RANGE SET POINT—SCREW ON TOP OF CASE; DIFFERENTIAL SET POINT—DIAL INSIDE OF CASE.  
 ADJUSTABLE OPERATING RANGE: 3 TO 15 PSI.  
 ADJUSTABLE DIFFERENTIAL: 1 TO 5 PSI; FACTORY SET AT 1 PSI  
 SWITCH ACTION ON PRESSURE FALL: MAKES AT SET POINT MINUS DIFFERENTIAL.  
 SWITCH ACTION ON PRESSURE RISE: BREAKS AT SET POINT.  
 MOUNTING MEANS: 1/4" FEMALE PIPE THREADS

(A)  
(B)(C)

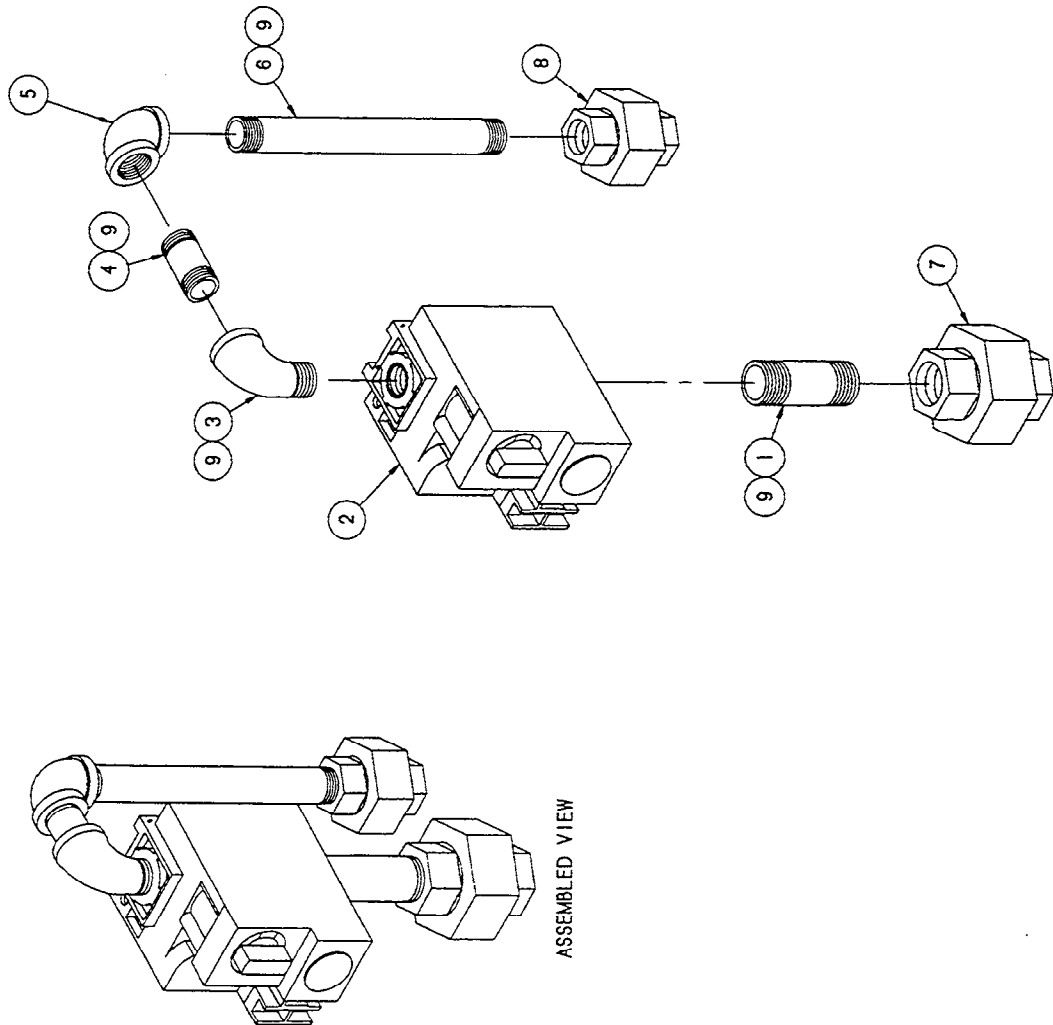
APPROVED SOURCE

- HONEYWELL  
 MODEL NO. PA404A-1056 (D)  
 U.L. FILE NO. MP466  
 C.S.A. FILE NO. LR1620

ITEM	QTY	PART NO.	DESCRIPTION
TOLERANCES (EXCEPT AS NOTED)			<b>CLEVELAND RANGE INC.</b> 1335 East 179th St. Cleveland, Ohio 44110-2574
DECIMAL ±		SCALE 1=1	DRAWN BY RJB APPROVED BY
ANGULAR ± 1°		TITLE	CONTROL, PRESSURE
AC		DATE 09-08-76	DRAWING NO. B-19947
			REV N

THIS DESIGN IS THE PROPERTY OF CLEVELAND RANGE. THIS DRAWING IS NOT TO BE COPIED OR USED WITHOUT THE APPROVAL OF CLEVELAND RANGE.

LET.	REVISIONS	DATE	BY



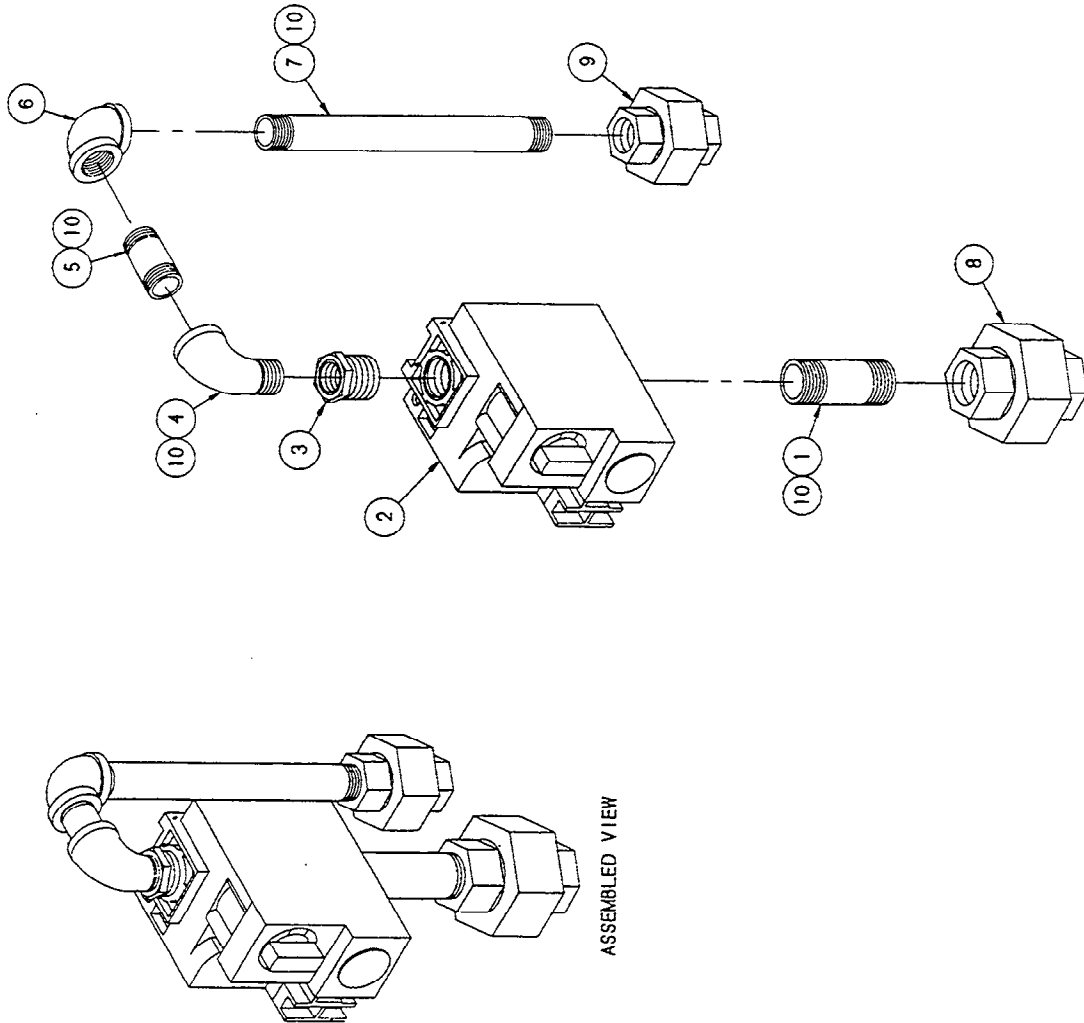
ASSEMBLED VIEW

ITEM	QTY.	PART NO.	DESCRIPTION
9	1	00934	SEALANT, RECTORSEAL
8	1	21302	UNION, BLACK, 1/2"
7	1	21305	UNION, 3/4", BLACK
6	1	14340	NIPPLE, 1/2" x 7.5" LG., BLACK
5	1	05249	ELBOW, 1/2", 90°, BLACK
4	1	14325	NIPPLE, 1/2" x 1-1/2", BLACK
3	1	05252	ELBOW, STREET, 90°, 1/2", BLACK
2	1	22228	VALVE, GAS CONTROL, NATURAL GAS
1	1	14345	NIPPLE, 3/4" x 2-1/2", BLACK

CLEVELAND RANGE INC.			
1333 East 179th St. Cleveland, Ohio 44110-2574			
TOLERANCES (EXCEPT AS NOTED)	SCALE	DRAWN BY	APPROVED BY
DECIMAL ± N/A	3/8=1	E. GRIVEAS	NLT
ANGULAR ± N/A	TITLE VALVE ASSEMBLY, NATURAL GAS- 100/200 BTU		
CK	DATE 11-08-93	DRAWING NO. B - 43663	REV. -

THIS DESIGN DESCRIBES A PROPRIETARY ITEM AND IS THE PROPERTY OF CLEVELAND RANGE. THIS DRAWING IS NOT TO BE COPIED OR USED WITHOUT THE APPROVAL OF CLEVELAND RANGE.

LET.	REVISIONS	DATE	BY
------	-----------	------	----

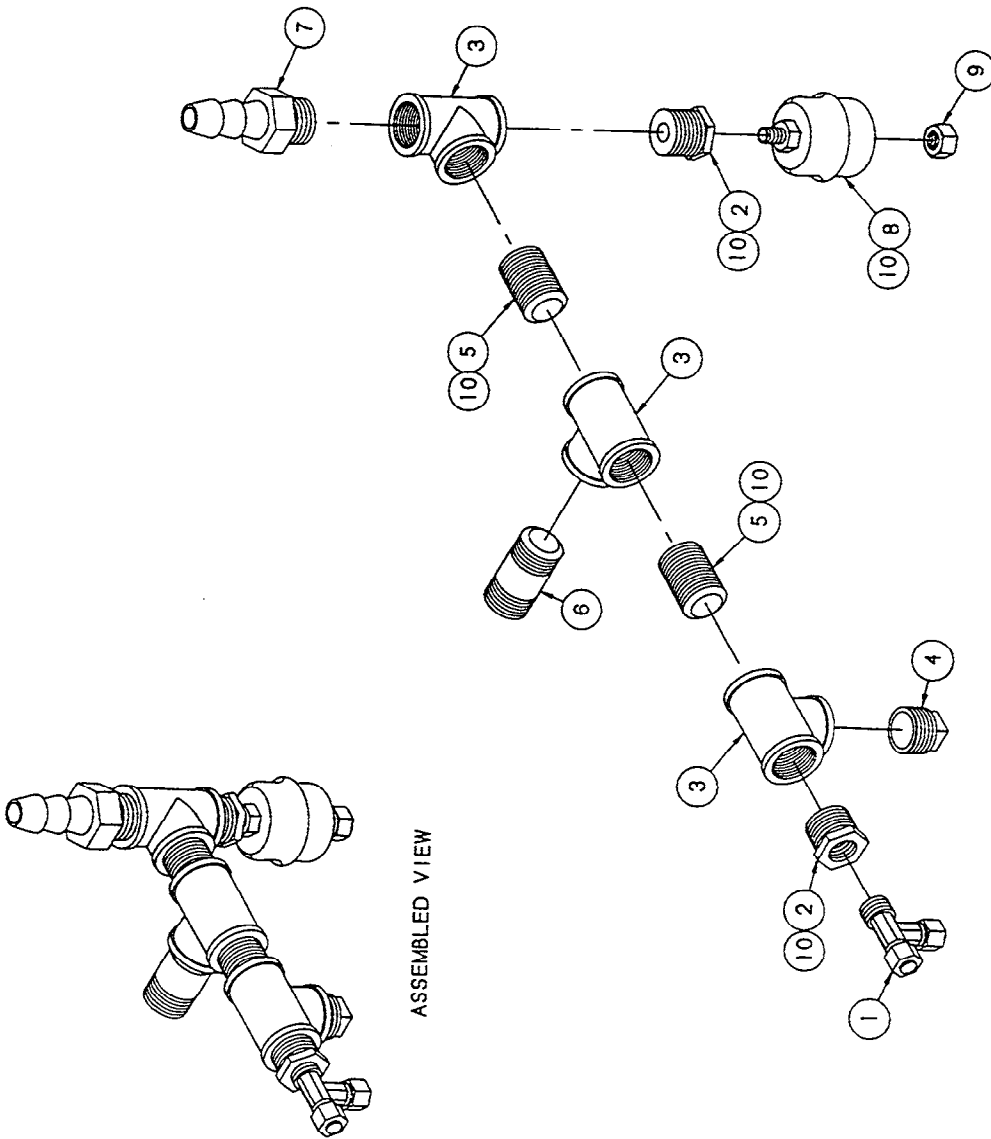


ASSEMBLED VIEW

ITEM	QTY.	PART NO.	DESCRIPTION
10	A/R	00934	SEALANT, RECTORSEAL
9	1	21302	UNION, BLACK, 1/2"
8	1	21305	UNION, 3/4", BLACK
7	1	14340	NIPPLE, 1/2" x 7.5" LG., BLACK
6	1	05249	ELBOW, 1/2", 90°, BLACK
5	1	14325	NIPPLE, 1/2" x 1-1/2", BLACK
4	1	05252	ELBOW, STREET, 90°, 1/2", BLACK
3	1	02565	BUSHING, HEX, 3/4 X 1/2, BLACK
2	1	22231	VALVE, GAS CONTROL, FOR LP
1	1	14345	NIPPLE, 3/4" x 2-1/2", BLACK

TOLERANCES (EXCEPT AS NOTED)			
DECIMAL	± N/A	SCALE	3/8"=1
ANGULAR	± N/A	TITLE	VALVE ASSEMBLY, LIQUID PROPANE 100/200 BTU
CK	11-08-93	DATE	
	B - 436	DRAWING NO.	
		APPROVED BY	E. GRIVEAS NLT
CLEVELAND RANGE INC. 1333 East 179th St. Cleveland, Ohio 44110-2574			

THIS DESIGN DESCRIBES A PROPRIETARY ITEM AND IS THE PROPERTY OF CLEVELAND RANGE. THIS DRAWING IS NOT TO BE COPIED OR USED WITHOUT THE WRITTEN CONSENT OF CLEVELAND RANGE.

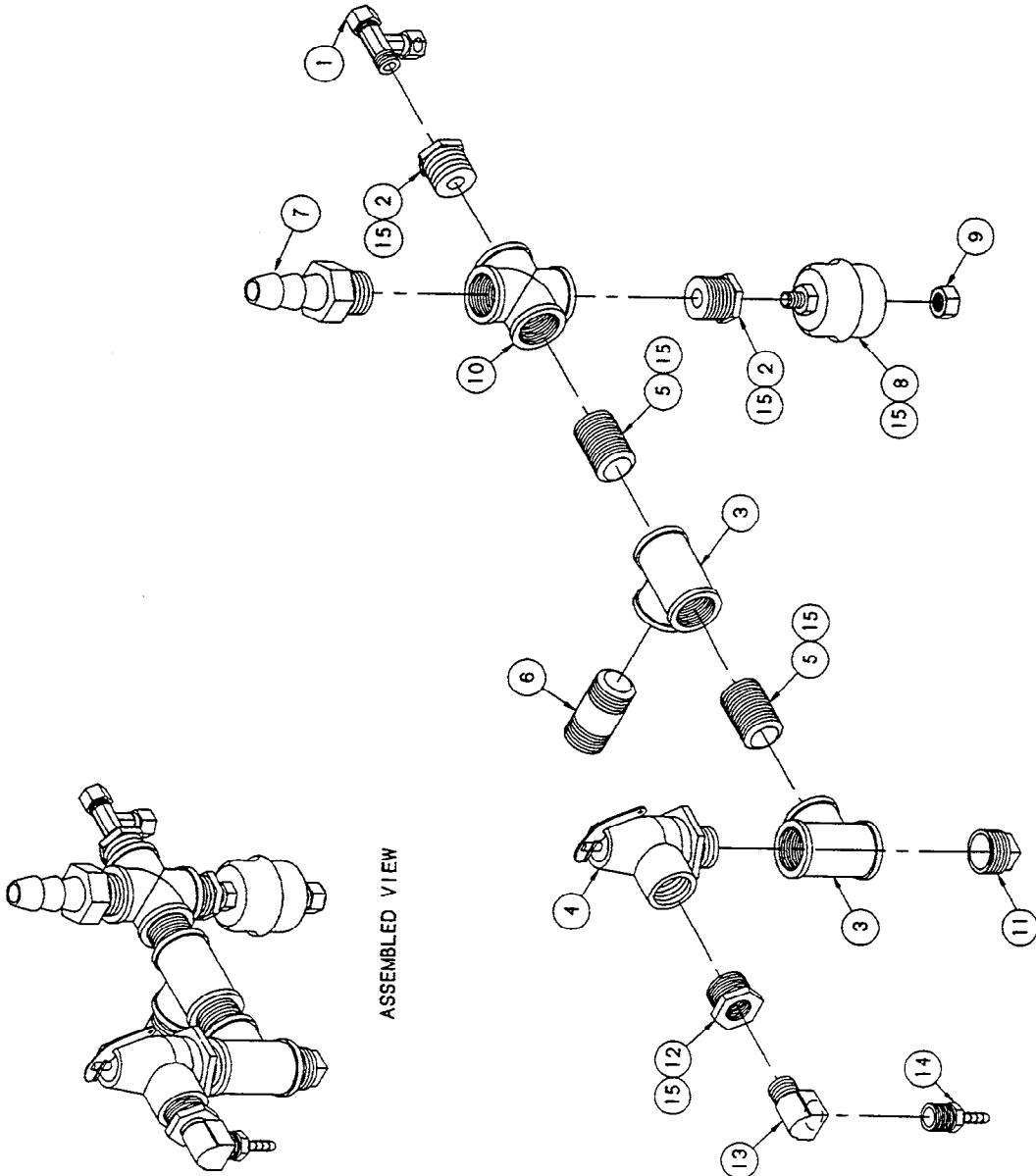


10	A/R	00934	SEALANT, RECTORSEAL
9	1	14681	NUT, COMPRESSION, 1/4 TUBE, BRASS
8	1	101207	TRAP, THERMOSTATIC, 1/4" X 1/4"
7	1	08240	FITTING, HOSE BARB 3/4 HOSE X 3/4 MPT BRASS
6	1	14431	NIPPLE, 3/4 X 2, BRASS
5	2	14342	NIPPLE, 3/4 X CLOSE, BRASS
4	1	18607	PLUG, SQUARE HEAD, 3/4, BRASS
3	3	20208	TEE, 3/4 BRASS
2	2	02569	BUSHING, REDUCING, 3/4 X 1/4, BRASS
1	1	100883	FITTING, COUPR. TEE 3/8T X 3/8MPT X 3/8T
			ITEM QTY. PART NO. DESCRIPTION

TOLERANCES (EXCEPT AS NOTED)		CLEVELAND RANGE, INC.	
DECIMAL	± N/A	1333 East 179th St., Cleveland, Ohio 44110-2574	
ANGULAR	± N/A	SCALE 1/2"=1'	DRAWN BY E. GRIVEAS APPROVED BY M.L.T.
CK			TITLE STEAM OUTLET ASSEMBLY
			REV. BEND GENERATOR (REV. 2)
		DATE 10-07-93	DRAWING NO. C - 428122
			REV.

THIS DESIGN DESCRIBES A PROPRIETARY ITEM AND IS THE PROPERTY OF CLEVELAND RANGE. THIS DRAWING IS NOT TO BE COPIED OR USED WITHOUT THE APPROVAL OF CLEVELAND RANGE.



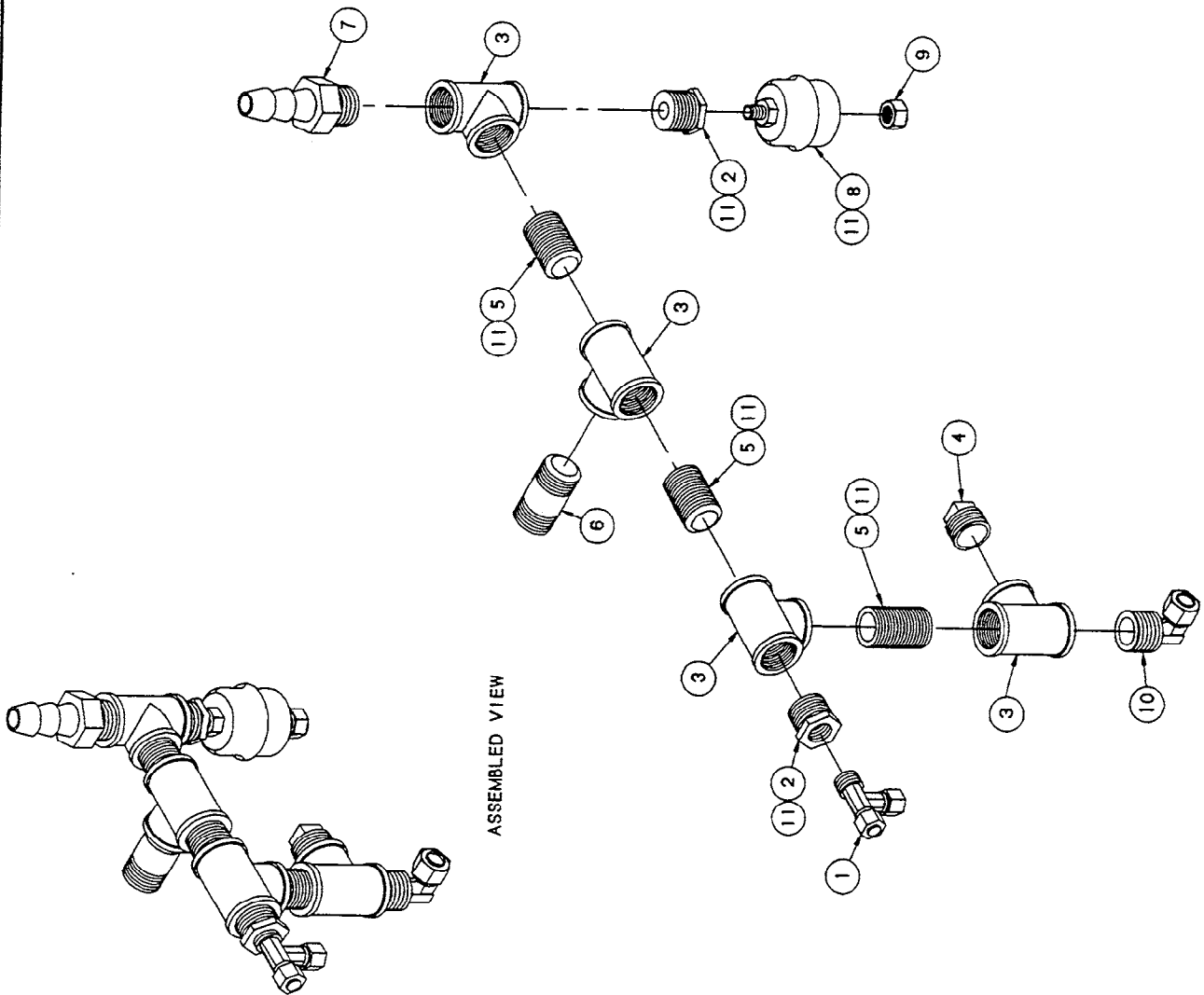


ASSEMBLED VIEW

ITEM	QTY.	PART NO.	DESCRIPTION
15	A/A	00934	SEALANT, RECTORSEAL
14	1	104382	FITTING, HOSE BARB, 1/4" H X 3/8" MPT
13	1	05280	ELBOW, STREET, 3/8" BRASS
12	1	02575	BUSHING, REDUCING, 3/4" X 3/8", BRASS
11	1	16607	PLUG, SQUARE HEAD, 3/4", BRASS
10	1	03732	CROSS, 4-WAY 3/4" BRASS
9	1	14661	M/T, THERMOSTATIC, 1/4 TUBE, BRASS
8	1	101207	TRAP, THERMOSTATIC, 1/4" X 1/4"
7	1	06240	FITTING, HOSE BARB 3/4 HOSE X 3/4 MPT BRASS
6	1	14431	NIPPLE, 3/4 X 2, BRASS
5	1	14342	NIPPLE, 3/4 X CLOSE, BRASS
4	1	101035	VALVE, SAFETY, 3/4", 12 PSI
3	2	20206	TEE, 3/4 BRASS
2	2	02363	BUSHING, REDUCING, 3/4 X 1/4, BRASS
1	1	100883	FITTING, COMP. TEE 3/8T X 1/4MPT X 3/8T

TOLERANCES UNLESS OTHERWISE SPECIFIED			
DECIMAL	± N/A	APPROVED BY	DLD
ANGULAR	± N/A	DRAWN BY	EAG
		TITLE	STEAM OUTLET ASSEMBLY
			SM GAS, 600MM
DATE	1-21-94	DRAWING NO.	C - 125
REV.	-		

CLEVELAND RANGE INC.  
 1393 East 179th St. Cleveland, Ohio 44110-2574



ASSEMBLED VIEW

ITEM	QTY	PART NO.	DESCRIPTION
11	1	00934	SEALANT, RECTORSAL
10	1	06187	FITTING, COMP., 90 DEG. 1/2" X 3/4" MPT
9	1	14681	NUT, COMPRESSION, 1/4" TUBE, BRASS
8	1	101207	TRAP, THERMOSTATIC, 1/4" X 1/4"
7	1	06240	FITTING, HOSE BARB 3/4" HOSE X 3/4" MPT BRASS
6	1	14431	NIPPLE, 3/4" X 2", BRASS
5	3	14342	NIPPLE, 3/4" X CLOSE, BRASS
4	1	18807	PLUG, SQUARE HEAD, 3/4", BRASS
3	4	20208	TEE, 3/4" BRASS
2	2	02369	BUSHING, REDUCING, 3/4" X 1/4", BRASS
1	1	100893	FITTING, COMP., TEE 3/8" X 3/8" MPT X 3/8"

TOLERANCES (unless as noted)	
DECIMAL	± 0.001
ANGULAR	± 0.001

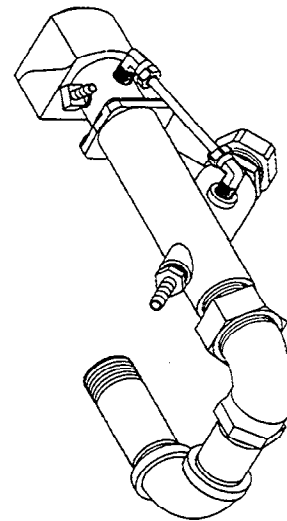
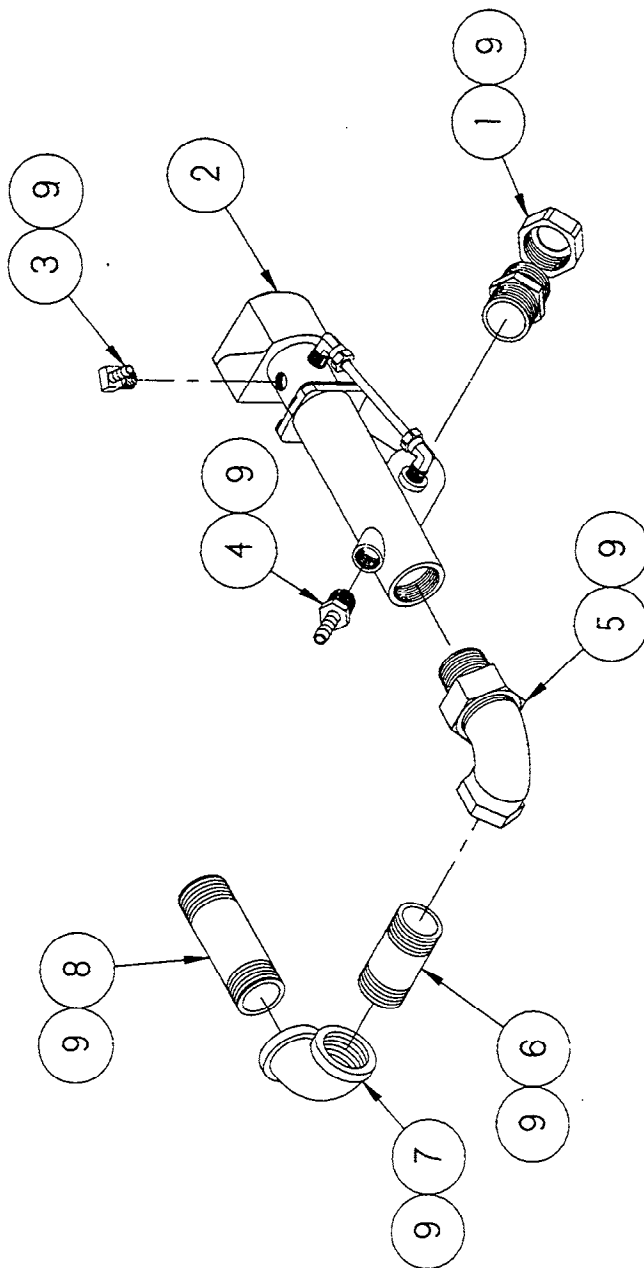
  

SCALE	1/2" = 1"	DRAWN BY	D. DOOSON	APPROVED BY	N.T.
TITLE				STEAM OUTLET ASSY., 42CKW/42CKM	
REV.				REV. BEND GENERATOR	
DATE	2-03-94	DRAWING NO.	C - 428126		
CK		REV.	-		

CLEVELAND RANGE INC.  
 1933 East 179th St., Cleveland, Ohio 44110-2374

THIS DESIGN DESCRIBES A PROPRIETARY ITEM AND IS THE PROPERTY OF CLEVELAND RANGE. THIS DRAWING IS NOT TO BE COPIED OR USED WITHOUT THE APPROVAL OF CLEVELAND RANGE.

NOTES:  
1. PARTS MUST BE ROTATED TO ILLUSTRATED ANGLES.



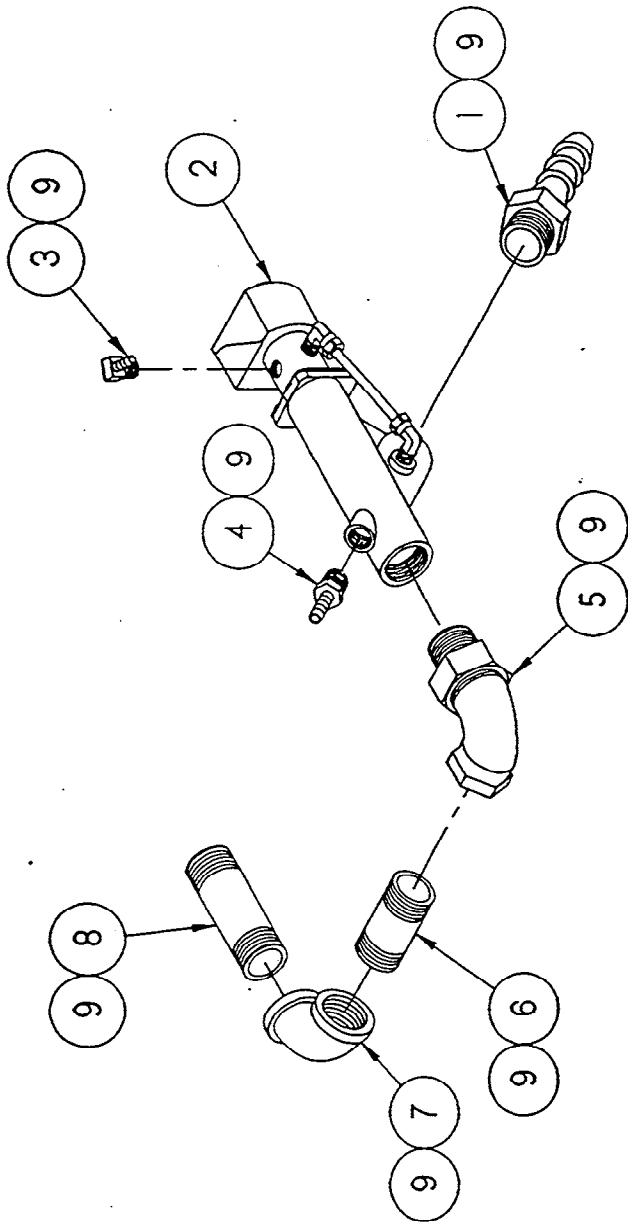
LET	REVISIONS	DATE	BY
A	P/N 20208 WAS 20219. ED 42075	11-12-91	SM
B	ROTATED P/N 22221 & ADDED NOTE 1	04-18-92	SM
C	P/N 06208 WAS 06207, P/N 22244 WAS 22221, P/N 104381 WAS 08216, P/N 11495 WAS 14490, P/N 05280 WAS 05281, P/N 105187 ADDED, P/Ns 03771, 20208 & 14321 OMITTED REF E.O. 14176	06-18-93	PJD

QTY.	PART NO.	DESCRIPTION
9	00934	SEALANT, RECTORSEAL
8	14495	NIPPLE, 3/4" NPT X 3, S/S
7	05280	ELBOW, 3/4" X 3/4", 90°
6	14431	NIPPLE, 3/4" X 2, BRASS
5	05283	ELBOW, RADIATOR, 3/4" X 90°
4	104381	FITTING, HOSE BARB, 1/4" H X 1/4" NPT
3	105187	FITTING, HOSE BARB, 1/4" H X 1/8" NPT 90°
2	22214	VALVE, SOLENOID, 1/2", 15 PSI
1	06208	COCK, FITTING, 3/4" x 3/4" NPT, ST.

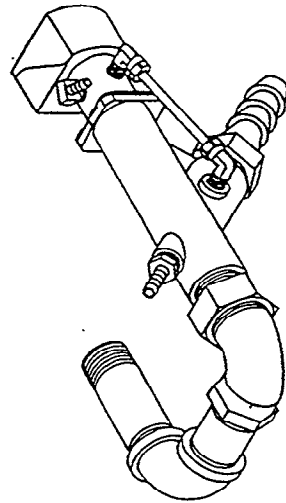
CLEVELAND RANGE INC.		DESCRIPTION	
1333 East 179th St., Cleveland, Ohio 44110-2574			
SCALE	DRAWN BY	APPROVED BY	
1" = 1/4"	S. MILEWSKI	DJP	
ANGULAR	TITLE		
± 1/4"	PIPING ASSEMBLY, BLOWDOWN		
CK	DATE	DRAWING NO.	REV.
	7-18-91	C	11 C

THIS DESIGN DESCRIBES A PROPRIETARY ITEM AND IS THE PROPERTY OF CLEVELAND RANGE. THIS DRAWING IS NOT TO BE COPIED OR USED WITHOUT THE APPROVAL OF CLEVELAND RANGE.

LET	REVISIONS	DATE	BY
A	P/W 20200 WAS 20149, ED #2015	11-15-91	SH
B	ROTATED P/W 02277 & ADDED NOTE 1	04-18-92	SH
C	P/W 02210 WAS 02211, P/W 22214 WAS 22211 P/W 104281 WAS 02218, P/W 03290 WAS 03291 P/W 14485 WAS 14490, P/W 03217 ADDED AND P/W'S 02277, 20200 & 14321 OMITTED PER E.O. 12812	08-18-93	PJD



NOTES:  
1. ROTATE TOWARDS S/S NIPPLE ABOUT 45°  
FOR SMALL GAS PRESSURES (1/2).



QTY	NO.	DESCRIPTION
1	00931	SEALANT, RECTORSAL
1	14495	NIPPLE, 3/4" IPT X 3, 1/2"
1	02280	ELBOW, 3/4" X 3/4, 90°
1	14431	NIPPLE, 3/4" X 2, BRASS
1	02283	BLACK RADIAION, 3/4" X 90°
1	104381	FITTING, HOSE END, 1/4" X 1/4" IPT
1	103787	FITTING, HOSE END, 1/4" X 1/4" IPT 90°
2	22214	VALVE, SOLIDROD, 1/2", 15 PSI
1	02210	FITTING, HOSE END, 3/4" X 3/4" IPT

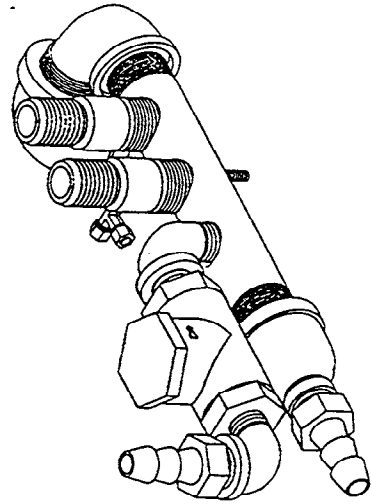
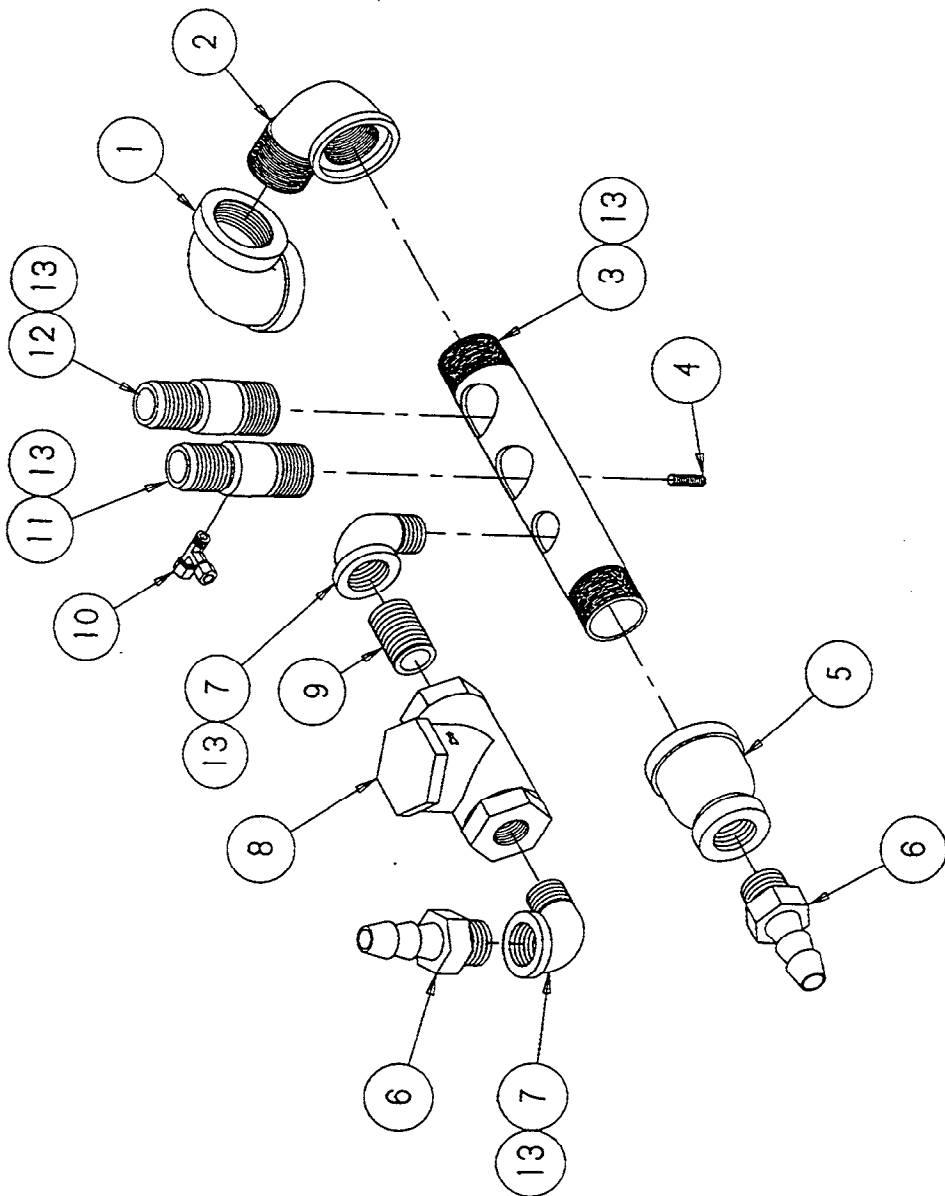
NO.	QTY.	PART NO.	DESCRIPTION
TOLERANCES			
(EXCEPT AS NOTED)			
DECIMAL	±	N/A	APPROVED BY
ANGULAR	±	N/A	DIT
±	N/A		
DATE	DRAWING NO. C - 408111		
11-07-91	REV. C		

CLEVELAND RANGE INC.  
1328 East 179th St. Cleveland, Ohio 44110-2374

SOLE DRAWN BY S. HILLEBRICH  
TITLE PIPING ASSEMBLY, BLOWDOWN  
3600A, 3600B, 3600C, 3600D, 3600E, 3600F, 3600G, 3600H, 3600I, 3600J, 3600K, 3600L, 3600M, 3600N, 3600O, 3600P, 3600Q, 3600R, 3600S, 3600T, 3600U, 3600V, 3600W, 3600X, 3600Y, 3600Z

THIS DESIGN DESCRIBES A PROPRIETARY ITEM  
AND IS THE PROPERTY OF CLEVELAND RANGE.  
THIS DRAWING IS NOT TO BE REPRODUCED OR USED  
WITHOUT THE APPROVAL OF CLEVELAND RANGE.

LET	REVISIONS	DATE	BY
-	PRODUCTION RELEASE E.O. #C-2008	09-10-91	PJD
A	P/N 05259 WAS QTY. OF 2 E.O. #C-2048	10-11-91	PJD
B	P/N 105541 WAS P/N 20249 E.O. #C-2134 R1	03-11-92	PJD
C	P/N 05259 WAS QTY. OF 3, P/N 105541 OMITTED, P/N 08240 WAS QTY. OF 3 PER E.O. #C-2448	07-21-93	PJD



ASSEMBLED UNIT

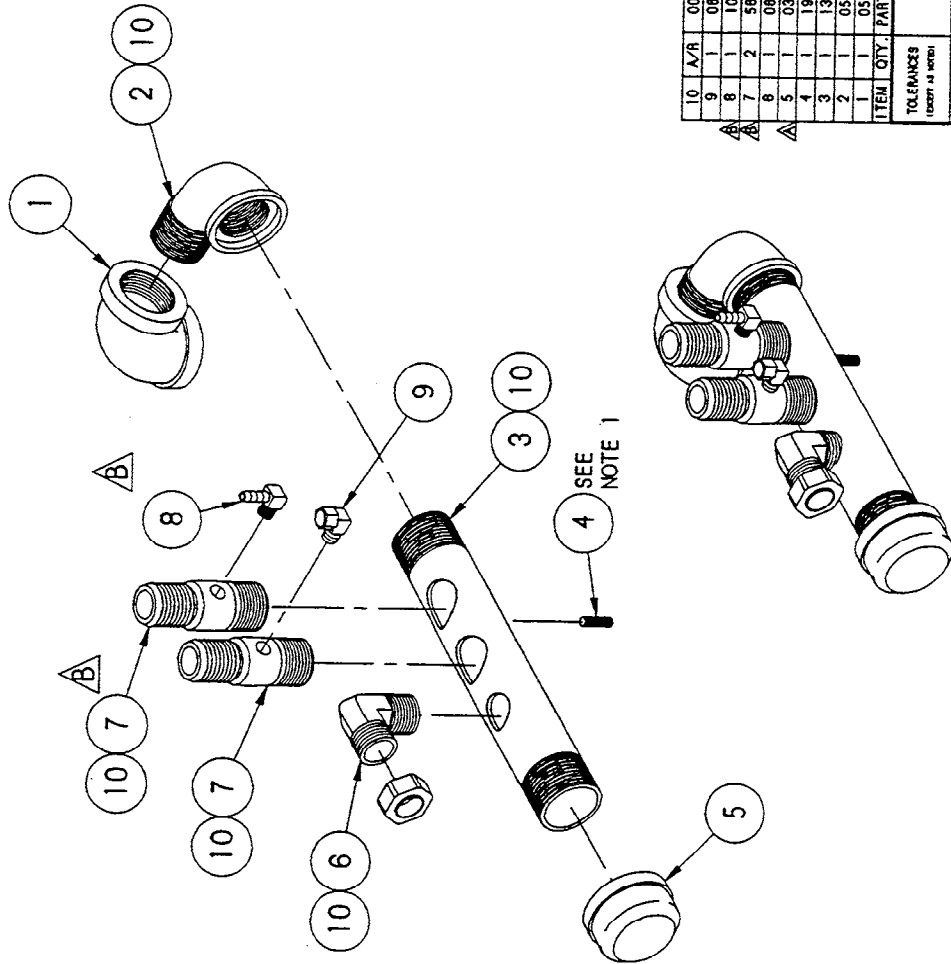
NO.	QTY.	PART NO.	DESCRIPTION
13	13	00924	SEALANT, RECTORSEAL
12	1	14481	FITTING, BARB, 1" HOSE X 1" NPT 5/8
11	1	368191	FITTING, HOSE - DRAIN MANIFOLD WITH 1/4" HOLE
10	1	101394	TEE, MALE RUN 1/4" T X 1/4" T X 1/8"
9	1	14343	HIPPLE, CLOSE, 3/4", BLACK
8	1	22119	VALVE, SWING CHECK, 3/4"
7	2	05259	ELBOW, STREET, 90°, 3/4", BLACK
6	2	08240	FITTING, HOSE BARB 3/4" HOSE X 3/4" NPT
5	1	03818	COUPLING, RED, 1-1/2 - 3/4" BLACK
4	1	19917	STUD, WELD, 1/4-20 X .875 5/8
3	1	13252	MANIFOLD, DRAIN 1-1/2 HPT BLACK
2	1	05292	ELBOW, STREET 1-1/2 HPT X 90° BLACK
1	1	05238	ELBOW, 1-1/2 HPT X 90° BLACK

<b>CLEVELAND RANGE INC.</b> 1932 East 179th St. Cleveland, OH 44110-2374	
SCALE	1/2"
DRAWN BY	P.J.D.
APPROVED BY	D.S.
TITLE	DRAIN MANIFOLD ASSEMBLY
ANGULAR	42CKGM/SM 42CKGM/LG.
DATE	09-10-91
DRAWING NO.	C-104873
REV.	C

THIS DESIGN DESCRIBES A PROPRIETARY ITEM AND IS THE PROPERTY OF CLEVELAND RANGE. THIS DRAWING IS NOT TO BE REPRODUCED OR USED WITHOUT THE APPROVAL OF CLEVELAND RANGE.

LET.	REVISIONS	DATE	BY
A	P/Ns 08192 & 08208 OMITTED AND P/N 03058 ADDED PER E.O. 12812	06-21-93	RD
B	P/N 585191 WAS P/N 14181, ADDED P/N 105787 & NOTES PER E.O.C-2554	1-25-94	EJG

NOTE:  
1. REFER TO DRAWING 280AHV FOR STUD LOCATION INSTRUCTIONS.

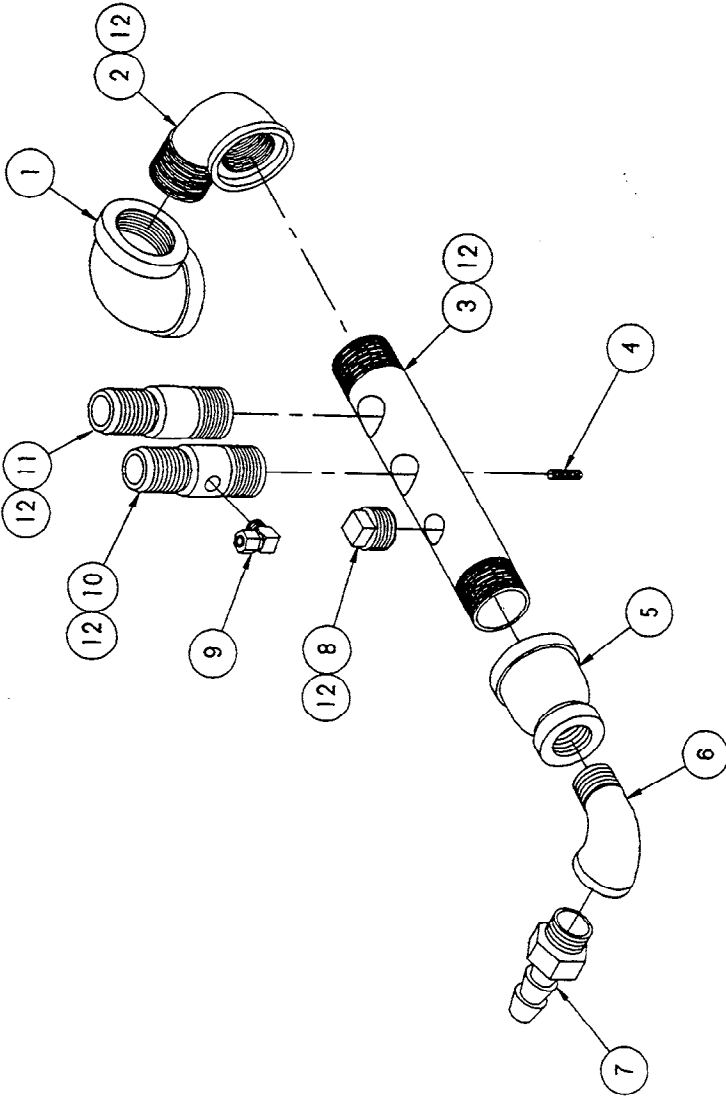


ITEM	QTY.	PART NO.	DESCRIPTION
10	1	00934	SEALANT, RECTORSEAL
9	1	08192	FITTING, COMP. 1/4" X 1/8" NPT 90°
8	1	105787	FITTING, HOSE DRAIN 90° 1/8" NPT X 1/4" H
7	2	585191	FITTING, HOSE DRAIN MANIFOLD W/ 1/8" HOLE
6	1	08209	FITTING, COMP. 3/4" X 3/4" NPT, 90°
5	1	03058	CAP, PIPE, 1-1/2" MALLEABLE IRON
4	1	19917	STD. WELD 1/4"-20 X 1/8" S/S
3	1	13952	MANIFOLD, DRAIN 1-1/2" NPT, BLACK
2	1	05292	ELBOW, STREET, 1-1/2" NPT X 90°, BLACK
1	1	05238	ELBOW, 1-1/2" NPT X 90°, BLACK
TOLERANCES (unless otherwise noted)			
DECIMAL ± 1/2" = 1"			
ANGULAR ± N/A			

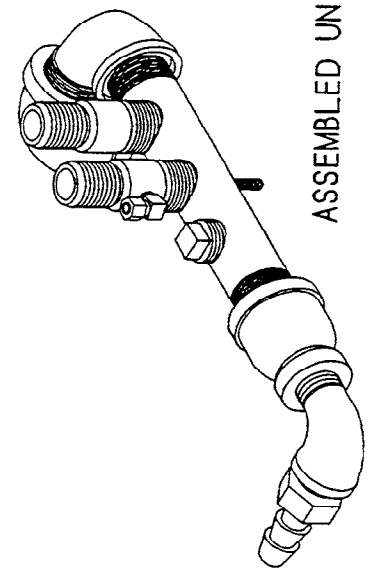
<b>CLEVELAND RANGE INC.</b> 1333 East 179th St., Cleveland, Ohio 44110-2874	
SCALE	DRAWN BY DUTCHMAN
1/2" = 1"	APPROVED BY
TITLE	DRAIN, MANIFOLD ASSEMBLY
DATE	10-01-91
CK	DRAWING NO. C - 42750
REV.	B

THIS DESIGN DESCRIBES A PROPRIETARY ITEM AND IS THE PROPERTY OF CLEVELAND RANGE. THIS DRAWING IS NOT TO BE COPIED OR USED WITHOUT THE APPROVAL OF CLEVELAND RANGE.

LET.	REVISIONS	DATE	BY
-	PRODUCTION RELEASE E.O. 14176-1994	08-23-91	P.J.D.
A	P/N 14347 & 20205 OMITTED AND P/N 06240 WAS QTY. OF 2 PER E.O. 14176-1994	08-24-90	P.D.



ITEM	QTY.	PART NO.	DESCRIPTION
12	1	00934	SEALANT, RECTORSEAL
11	1	14481	FITTING, BARB 1" H X 1" MPT S/S
10	1	565191	FITTING, HOSE, DRAIN MANIFOLD W/ 1/8 INLE
9	1	06192	FITTING, COMP. 1/4 T X 1/8 MPT 90°
8	1	16808	PLUG, SO. HEAD, 3/4" PIPE, BLACK
7	1	06240	FITTING, HOSE BARB 3/4 H X 3/4 MPT
6	1	05259	ELBOW, STREET 3/4 X 90°, BLACK
5	1	03816	COUPLING, RED, 1-1/2 X 3/4, BLACK
4	1	19917	STDL. WELD 1/4-20 X 7/8, S/S
3	1	13252	MANIFOLD, DRAIN 1-1/2 NPT, BLACK
2	1	05292	ELBOW, STREET 1-1/2 NPT X 90°, BLACK
1	1	05238	ELBOW, 1-1/2 NPT X 90°, BLACK



ASSEMBLED UNIT

<b>CLEVELAND RANGE, INC.</b> 1333 East 179th St., Cleveland, Ohio 44110-2374	
SCALE	1/2"
TITLE	PIPE ASSEMBLY, DRAIN
DATE	08-13-91
CK	C - - 1
REV.	A

THIS DESIGN DESCRIBES A PROPRIETARY ITEM AND IS THE PROPERTY OF CLEVELAND RANGE. THIS DRAWING IS NOT TO BE COPIED OR USED WITHOUT THE WRITTEN CONSENT OF CLEVELAND RANGE.

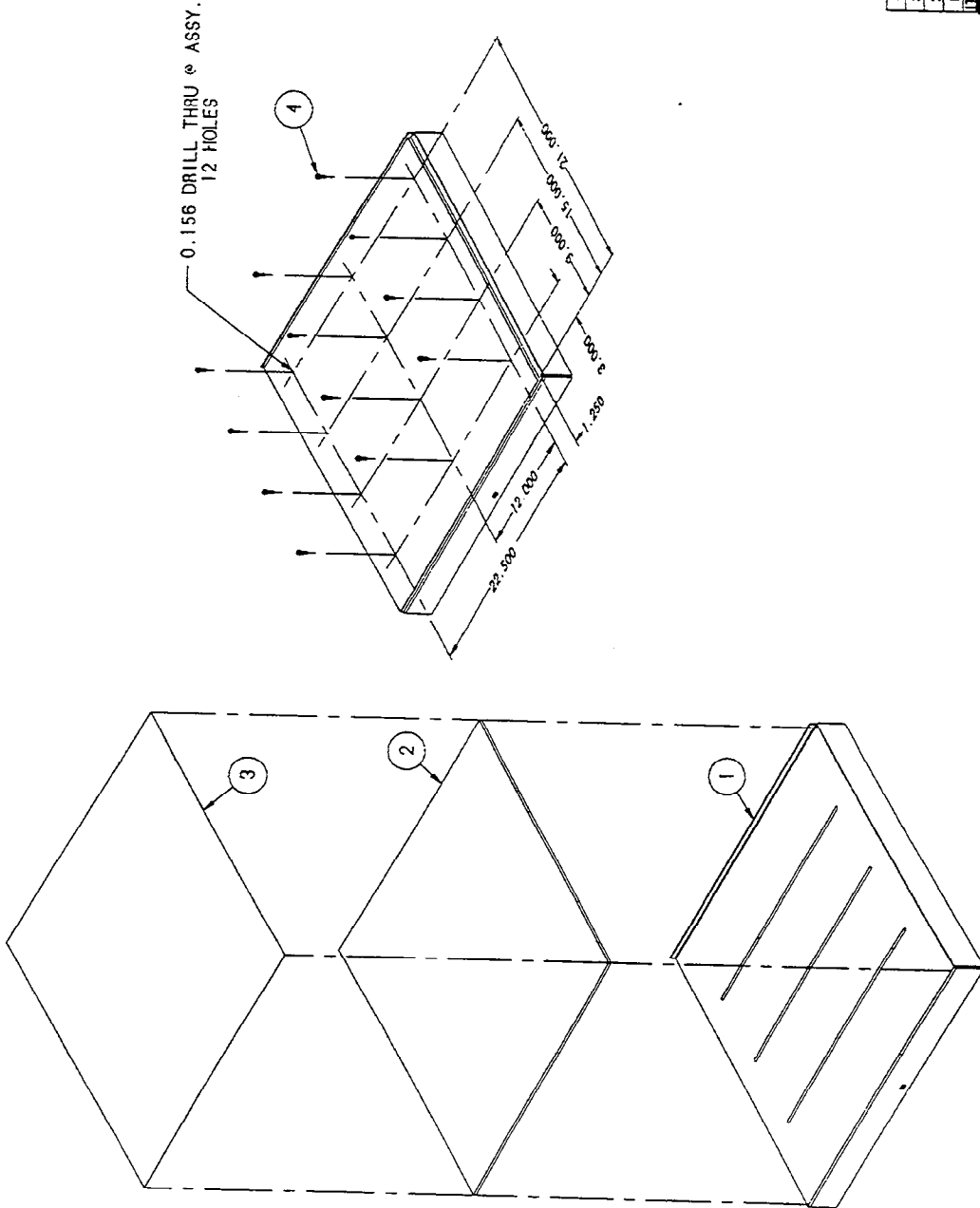








LET.	REVISIONS	DATE	BY
A	ITEM 4, WAS P/N 19287 E.O. C-1590	7-7-89	DP
B	REDRAWN & UPDATED PER D.O.M. E.O. # C-2558	2-07-91	EAG

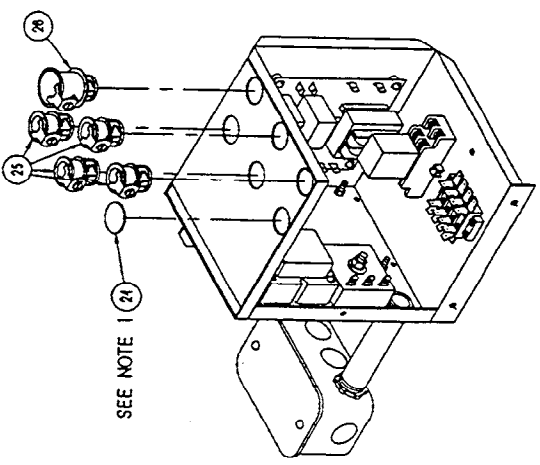


4	12	19116	SCREW, HEX HEAD WASH. SLTD. #10 x .15
3	1	101171	PANEL, INSULATION, S & B BURNER
2	1	101181	INSULATION, S & B BURNER
1	1	1009771	COLLECTOR, TOP FLUE, LARGE GAS
ITEM QTY. PART NO.		DESCRIPTION	
TOLERANCES (UNLESS OTHERWISE SPECIFIED)			
CLEVELAND RANGE, INC. 1533 East 191st St. Cleveland, Ohio 44116-2874			
DESIGN	SCALE	DRAWN BY	APPROVED BY
1/1/4	1:1	M. ERBEZNIK	
ASSEMBLY	TITLE	COLLECTOR ASSN. TOP FLUE LARGE GAS	
1/1/4		DATE	5-11-87
CK		DRAWING NO.	C-100
		TRG	A

THIS DESIGN DESCRIBES A PROPRIETARY ITEM AND IS THE PROPERTY OF CLEVELAND RANGE. THIS DRAWING IS NOT TO BE COPIED OR USED WITHOUT THE APPROVAL OF CLEVELAND RANGE.

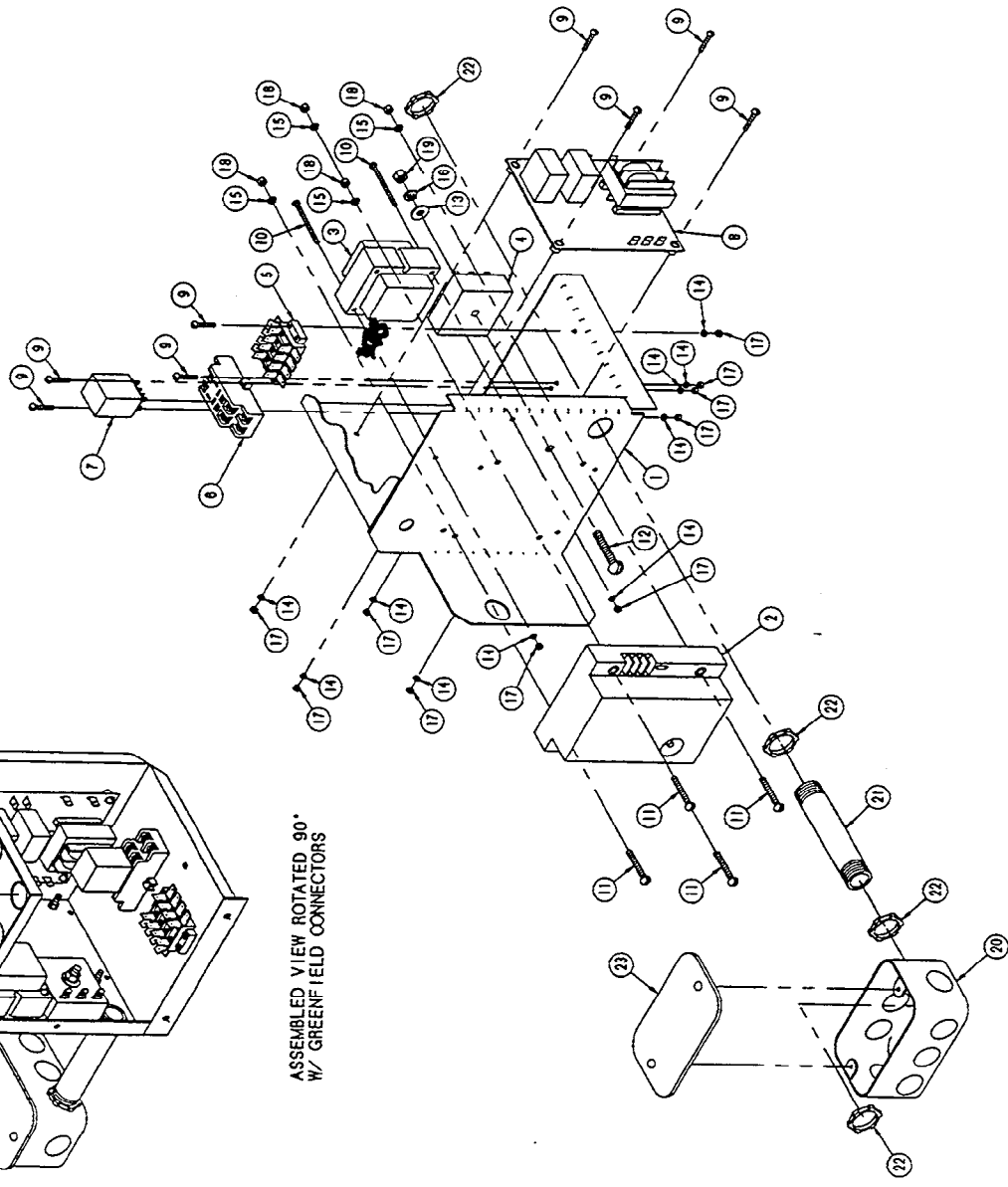
LET.	REVISIONS	DATE	BY

NOTES:  
 1. REMOVE P/N 19329 WHEN CAL. CODE / LWOO IS USED (SEE B.O.M. FOR APPROPRIATE CONNECTOR).



SEE NOTE 1 21

ASSEMBLED VIEW ROTATED 90°  
 W/ GREEN FELD CONNECTORS



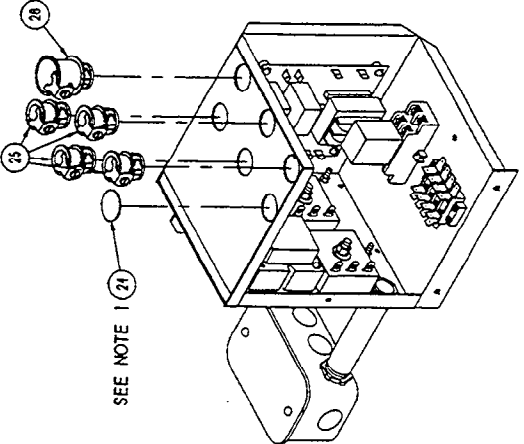
ITEM QTY	PART NO.	DESCRIPTION
26	1	103246 CONNECTOR, GREEN FELD, 1/2" SWAP TIE
25	4	103243 CONNECTOR, GREEN FELD, 3/8" SWAP TIE
24	1	19329 PLUG, SWAP-IN, 1/2" FOR 1/8" HOLE
23	1	02388 COVER, HAND-BOX
22	4	14814 NUT, LOCK, 1/2", ELECTRICAL
21	1	14834 NUT, 1/2" x 1", BLACK
20	1	02381 BOX, HAND-BOX, ELECTRICAL
19	1	14818 NUT, HEX, 1/4-20, S/S, FULL FINISH
18	4	14898 NUT, HEX, 8-32, ZINC PLATED
17	10	14874 NUT, HEX, 8-32, ZINC PLATED
16	1	23105 WASHER, SPLIT LOCK, 1/4", S/S
15	4	101837 WASHER, INTERNAL TOOTH LOCK, 48
14	10	23111 WASHER, INTERNAL TOOTH LOCK, 48
13	1	23116 WASHER, FLAT, 1/4" ID x .065" THK
12	1	19285 SCREW, ROUND HEAD, 1/4-20 x 1.5", S/S
11	8	19150 SCREW, ROUND HEAD, 8-32 x 1.25"
10	4	19149 SCREW, ROUND HEAD, 8-32 x 1.25"
9	2	19183 SCREW, ROUND HEAD, 8-32 x 1.25"
8	1	23198 CONTROL, WATER LEVEL
7	1	03524 RELAY, 120 V. 50/60Hz, AC, DPDT
6	1	03525 SOCKET, RELAY
5	1	44184 TERMINAL BLOCK ASM - 4 POLE, GAS UNITS
4	1	20478 TIMER, SOLID STATE INTERVAL, 3 MINUTE
3	1	20238 TRANSFORMER - SPARK IGNITION SUPPLY
2	1	03516 CONTROL, MODULE, DIRECT SPARK IGNITION
1	1	44139 BOX, WELDMENT, ELECTRIC FOR GAS, 2 POLE

TOLERANCES (UNLESS SHOWN)	
FRACTIONAL	3/64" ±
10/32"	±
DECIMAL	±
10/32"	±

CLEVELAND RANGE INC.	
1329 EAST 171 <sup>ST</sup> ST., CLEVELAND, OHIO 44110-4174	
SCALE	DRAWN BY E. GRIVEAS
3/8"=1"	APPROVED BY
TITLE	BOX, ELECTRIC, ASSEMBLY
DATE	2-15-94
OK	DRAWING NO. C - 10092901

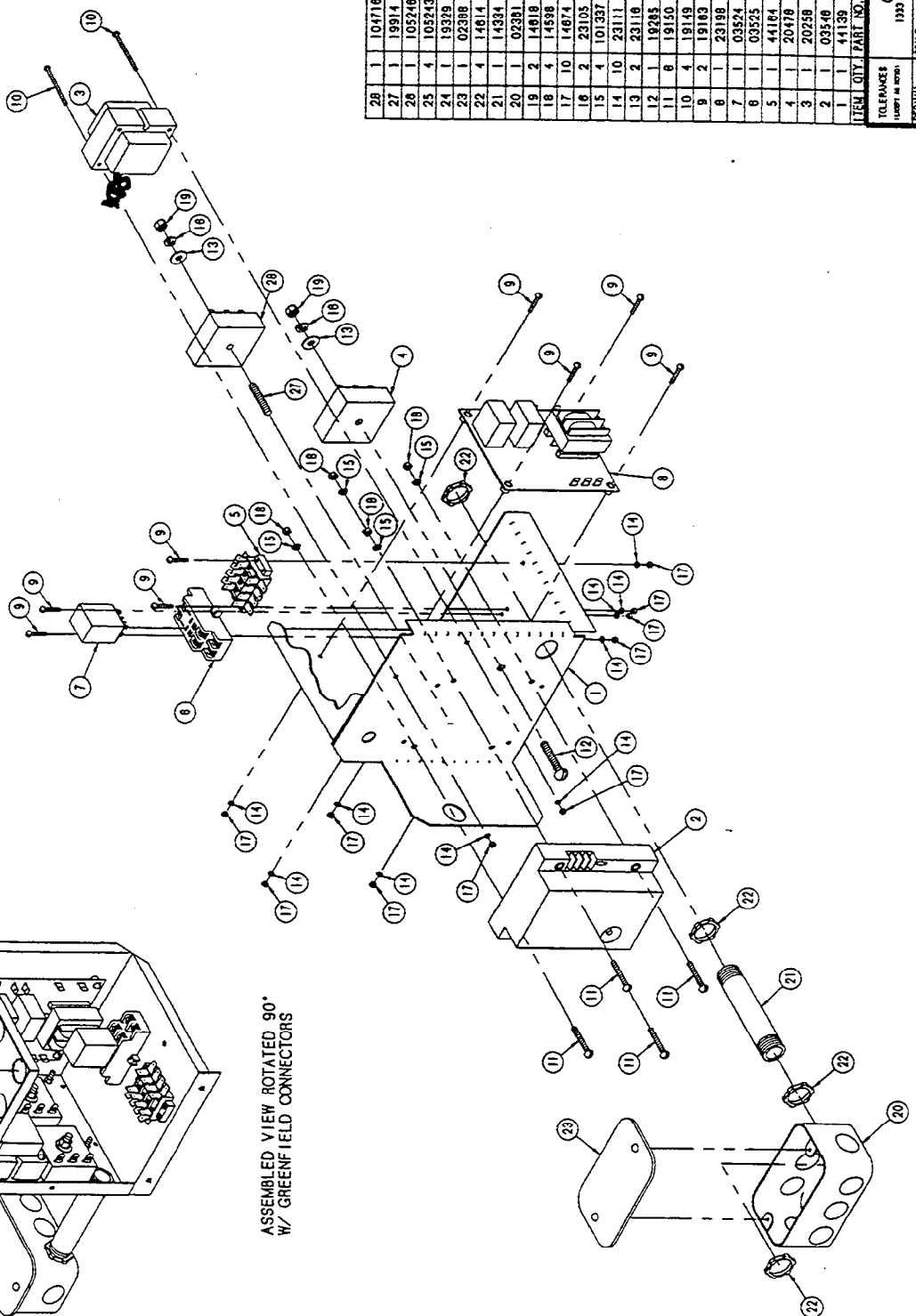
THIS DESIGN DESCRIBES A PROPRIETARY ITEM  
 AND IS THE PROPERTY OF CLEVELAND RANGE.  
 THIS DESIGN SHOULD NOT BE COPIED OR USED  
 WITHOUT THE APPROVAL OF CLEVELAND RANGE.

NOTES:  
 1. REMOVE P/N 19329 WHEN CAL. CODE / LWCO IS USED (SEE 8.O.M. FOR APPROPRIATE CONNECTOR).



SEE NOTE 1 (21)

ASSEMBLED VIEW ROTATED 90° W/ GREENFIELD CONNECTORS



ITEM	QTY	PART NO.	DESCRIPTION
28	1	104716	TIMER, RECYCLING, GENERATOR W/BLIND
27	1	19914	STUD, WELD, STYLE F, 1/4-20 X 1-1/2, S/S
26	1	105246	CONNECTOR, GREENFIELD, 1/2" SNAP-TITE
25	4	105243	CONNECTOR, GREENFIELD, 3/8" SNAP-TITE
24	1	19329	PLUG, SNAP-IN, 1/2" FOR 1/8" HOLE
23	1	02398	COVER, HANDI-BOX
22	4	14814	NUT, LOCK, 1/2", ELECTRICAL
21	1	14334	PIPE, 1/2" x 4", BLACK
20	1	02381	BOX, HANDI-BOX, ELECTRICAL
19	2	14818	NUT, HEX, 1/4-20, S/S, FULL FINISH
18	4	14596	NUT, HEX, 9-32, ZINC PLATED
17	10	14874	NUT, HEX, 9-32, ZINC PLATED
16	2	23105	WASHER, SPLIT LOCK, 1/4", S/S
15	4	101337	WASHER, INTERNAL TOOTH LOCK, 18
14	10	23111	WASHER, INTERNAL TOOTH LOCK, 18
13	2	23116	WASHER, FLAT, 1/4", ID x .065" THK
12	1	19285	SCREW, ROUND HEAD, 1/4-20 x 1.5", S/S
11	6	19150	SCREW, ROUND HEAD SLOTTED, 8-32 x 1.25"
10	4	19149	SCREW, ROUND HEAD SLOTTED, 6-32 x 1.75"
9	2	19143	SCREW, ROUND HEAD SLOTTED, 6-32 x .75"
8	1	23198	CONTROL, WATER LEVEL
7	1	03524	RELAY, 120 V, 50/60HZ, AC, DPDT
6	1	03525	SOCKET, RELAY
5	1	44164	TERMINAL BLOCK ASM - 4 POLE, GAS LIMITS
4	1	20478	TIMER, SOLID STATE, INTERVAL, 3 MINUTE
3	1	20239	TRANSFORMER - SPARK INHERITION SUPPLY
2	1	03540	CONTROL, KODALE, DIRECT SPARK IGNITION
1	1	44139	BOX, WELDABLE, ELECTRIC FOR GAS, 2 PROBE

TELEMARKETER  
 (LAWRENCE H. BROWN)

SCALE: 3/8"=1"

DESIGNED BY: E. GRIVEAS

APPROVED BY: BOB ROBE

WORKING TITLE: W/INTERMITTENT BLKDOWN, G

DATE: 2-15-94

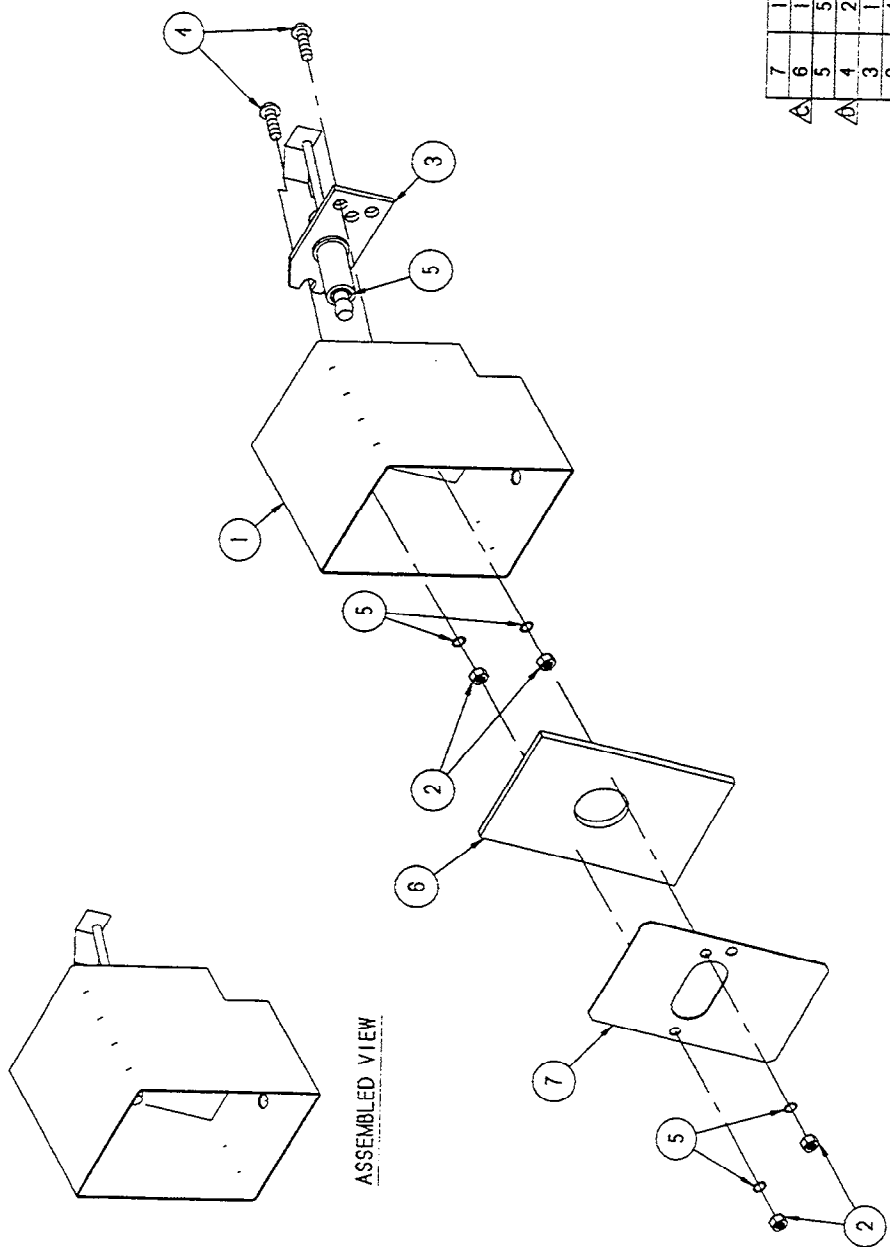
CK: [Signature]

DRWING NO.: C - 10092902

REV: [Blank]

PROPERTY ITEM  
 EVELAND RANGE  
 THIS DRAWING IS IN  
 WITHOUT THE APPROVAL  
 OF CLEVELAND RANGE

LET.	REVISIONS	DATE	BY
A	WAS C-44097	1-24-84	NEAL
B	ITEM 1 WAS C-52823, ECN 1054	3-6-86	DP
C	ADD P/N B-100314 FOR ITEM 6	3-12-86	DP
D	REDRAW WAS C SIZE, P/N 19163 WAS 19259, E.O.# C-2558	2-7-94	EAG



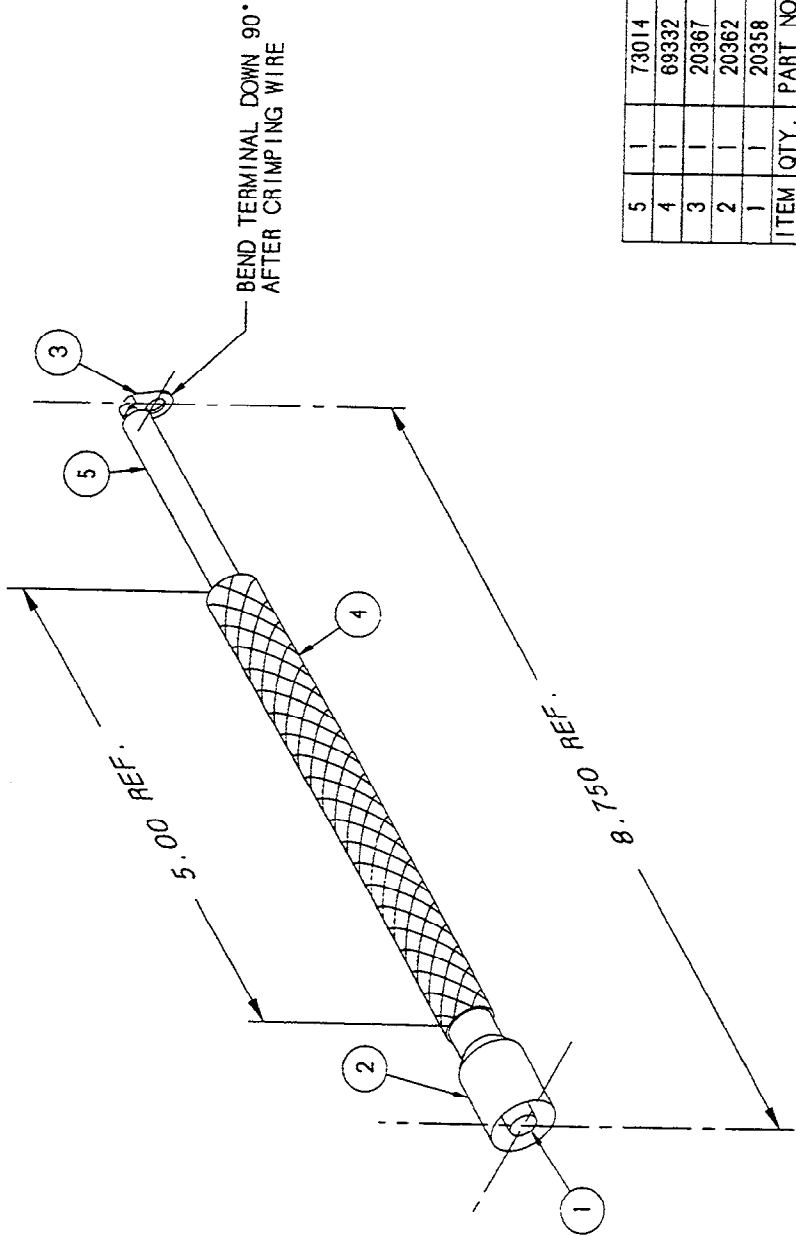
ASSEMBLED VIEW

ITEM	QTY.	DESCRIPTION
7	1	RETAINER, INSULATION
6	1	INSULATION, IGNITOR BOX
5	5	WASHER, LOCK, INTERNAL TOOTH, #6
4	2	SCREW, #6-32 x .75" LG.
3	1	ELECTRODE, COMBINATION IGNITOR/SENSOR
2	4	NUT, #6-32, HEX
1	1	BOX, IGNITOR, GEN. GAS, 2 PROBE

TOLERANCES (EXCEPT AS NOTED)		CLEVELAND RANGE INC.	
DECIMAL	SCALE	1333 East 179th St. Cleveland, Ohio 44110-2574	
± N/A	5/8=1	DRAWN BY	APPROVED BY
ANGULAR		E. LAWRENCE	E. HENDESS
± N/A		TITLE BOX ASM, IGNITOR	
CK	DATE	DRAWING NO.	REV.
	12-6-94	B - 44096	D

THIS DESIGN DESCRIBES A PROPRIETARY ITEM AND IS THE PROPERTY OF CLEVELAND RANGE. THIS DRAWING IS NOT TO BE COPIED OR USED WITHOUT THE APPROVAL OF CLEVELAND RANGE.

LET.	REVISIONS	DATE	BY
------	-----------	------	----

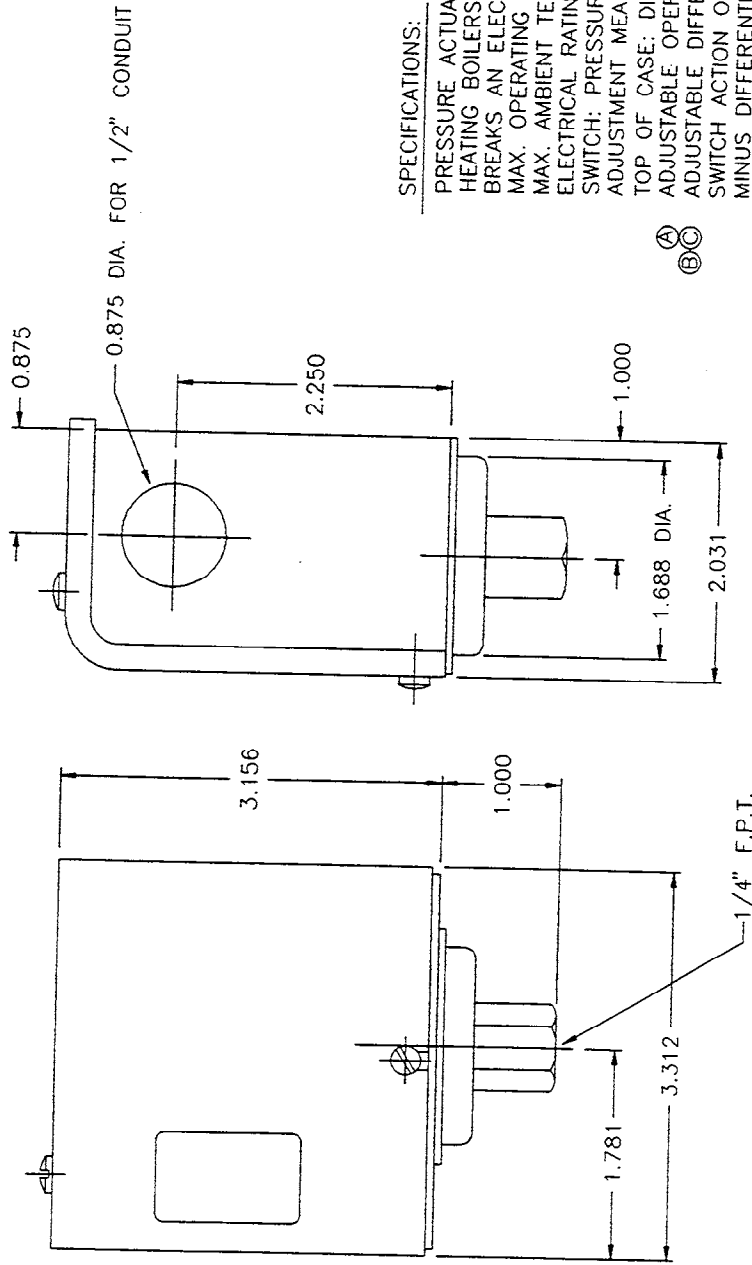


5	1	73014	WIRE, RADIX, 9" LONG
4	1	69332	SLEEVE, FIBERGLASS 5" INSULATING
3	1	20367	TERMINAL RING-#6, NON-INSULATED
2	1	20362	INSULATOR, RED SILICONE
1	1	20358	TERMINAL, IGNITION CABLE
ITEM	QTY.	PART NO.	DESCRIPTION

TOLERANCES (EXCEPT AS NOTED)		CLEVELAND RANGE, INC.	
1333 East 179th St. Cleveland, Ohio 44110-2574		SCALE	DRAWN BY
DECIMAL	± N/A	1=1	E. GRIVEAS
ANGULAR	± N/A	TITLE	APPROVED BY
CK	11-09-93	CABLE, IGNITION ASSEMBLY	
		DATE	DRAWING NO.
			B-44169
			REV.
			-

THIS DESIGN DESCRIBES A PROPRIETARY ITEM AND IS THE PROPERTY OF CLEVELAND RANGE. THIS DRAWING IS TO BE COPIED OR USED WITHOUT THE APPROVAL OF CLEVELAND RANGE.

LET.	REVISIONS	DATE	BY
A	REVISED ADJ. OPERATING RANGE SPEC.	11-28-84	RMC
-	WAS: 0.5 TO 9 PSI.	-	-
B	WAS: ADDITIVE DIFFERENTIAL	-	-
C	WAS: ADJ. DIFFERENTIAL: 1 TO 5 PSI, EO C-2276	07-07-86	TS
D	MODEL NO. WAS PA404A (SUBRACTIVE DIFFERENTIAL)	07-31-92	DJP
	E.O. #2276RT	10-13-92	NLI



**SPECIFICATIONS:**

PRESSURE ACTUATED HIGH LIMIT SAFETY CONTROL FOR STEAM HEATING BOILERS.  
 BREAKS AN ELECTRICAL CIRCUIT ON PRESSURE RISES.  
 MAX. OPERATING PRESSURE: 20 PSI  
 MAX. AMBIENT TEMPERATURE: 150° F.  
 ELECTRICAL RATING: 8.0 F.L.A. AT 120V. AC  
 SWITCH: PRESSURE ACTUATED SPST. SNAP-ACTION  
 ADJUSTMENT MEANS: OPERATING RANGE SET POINT-SCREW ON TOP OF CASE; DIFFERENTIAL SET POINT-DIAL INSIDE OF CASE.  
 ADJUSTABLE OPERATING RANGE: 3 TO 15 PSI.  
 ADJUSTABLE DIFFERENTIAL: 1 TO 5 PSI; FACTORY SET AT 1 PSI MINUS DIFFERENTIAL.  
 SWITCH ACTION ON PRESSURE FALL: MAKES AT SET POINT  
 SWITCH ACTION ON PRESSURE RISE: BREAKS AT SET POINT.  
 MOUNTING MEANS: 1/4" FEMALE PIPE THREADS

(A)  
(B)  
(C)

**APPROVED SOURCE:**

1. HONEYWELL  
 MODEL NO. PA404A-1066  
 U.I. FILE NO. MP466  
 C.S.A. FILE NO. LR1620

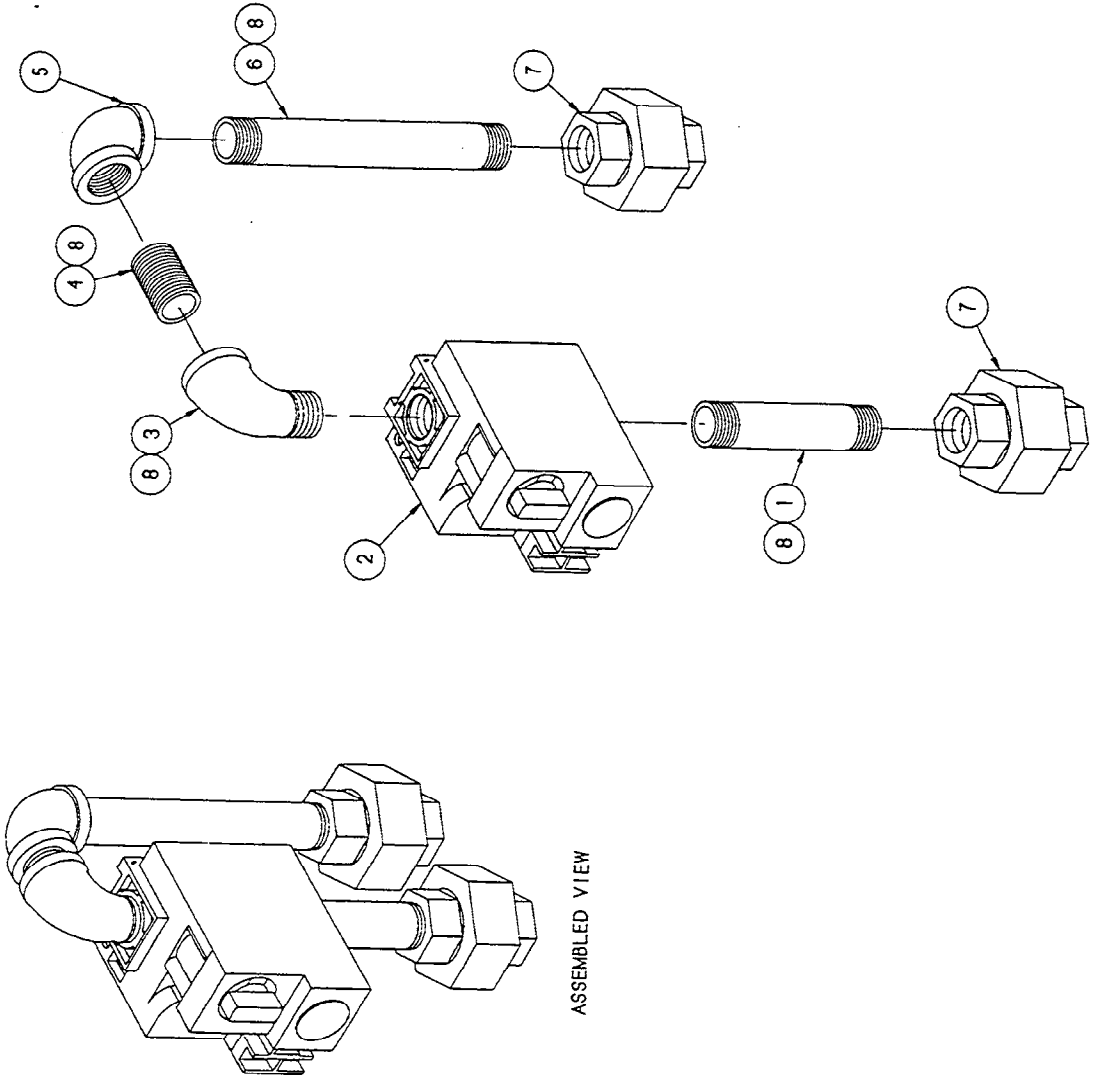
ITEM	QTY	PART NO.	DESCRIPTION
TOLEANCES (EXCEPT AS NOTED)			<b>CLEVELAND RANGE INC.</b> 1333 East 179th St. Cleveland, Ohio 44110-2574
DECIMAL ±	1 = 1	DRAWN BY RJB	APPROVED BY
ANGULAR ± 1°		TITLE CONTROL, PRESSURE	
AC	DATE 09-08-76	DRAWING NO. B-19947	REV D

THIS DESIGN DESCRIBES A PROPRIETARY ITEM AND IS THE PROPERTY OF CLEVELAND RANGE.  
 THIS DRAWING IS NOT TO BE COPIED OR USED WITHOUT THE APPROVAL OF CLEVELAND RANGE.





LET.	REVISIONS	DATE	BY



ASSEMBLED VIEW

ITEM	QTY.	PART NO.	DESCRIPTION
8	A/R	00934	SEALANT, RECTORSEAL
7	2	21305	UNION, 3/4", BLACK
6	1	14362	NIPPLE, 3/4" x 7.5" LG., BLACK
5	1	05258	ELBOW, 3/4" x 90°, BLACK
4	1	14343	NIPPLE, 3/4" x CLOSE, BLACK
3	1	05259	ELBOW, STREET, 90°, 3/4", BLACK
2	1	22230	VALVE, GAS CONTROL, NATURAL GAS
1	1	14347	NIPPLE, 3/4" x 3" LG., BLACK

<b>TOLERANCES</b> <small>(EXCEPT AS NOTED)</small>			
DECIMAL	± N/A	SCALE	3/8"=1
ANGULAR	± N/A	TITLE	VALVE ASSEMBLY, NATURAL GAS- 250/300 BTU
CK	DATE	DRAWING NO.	REV.
	11-08-93	B - 43664	-

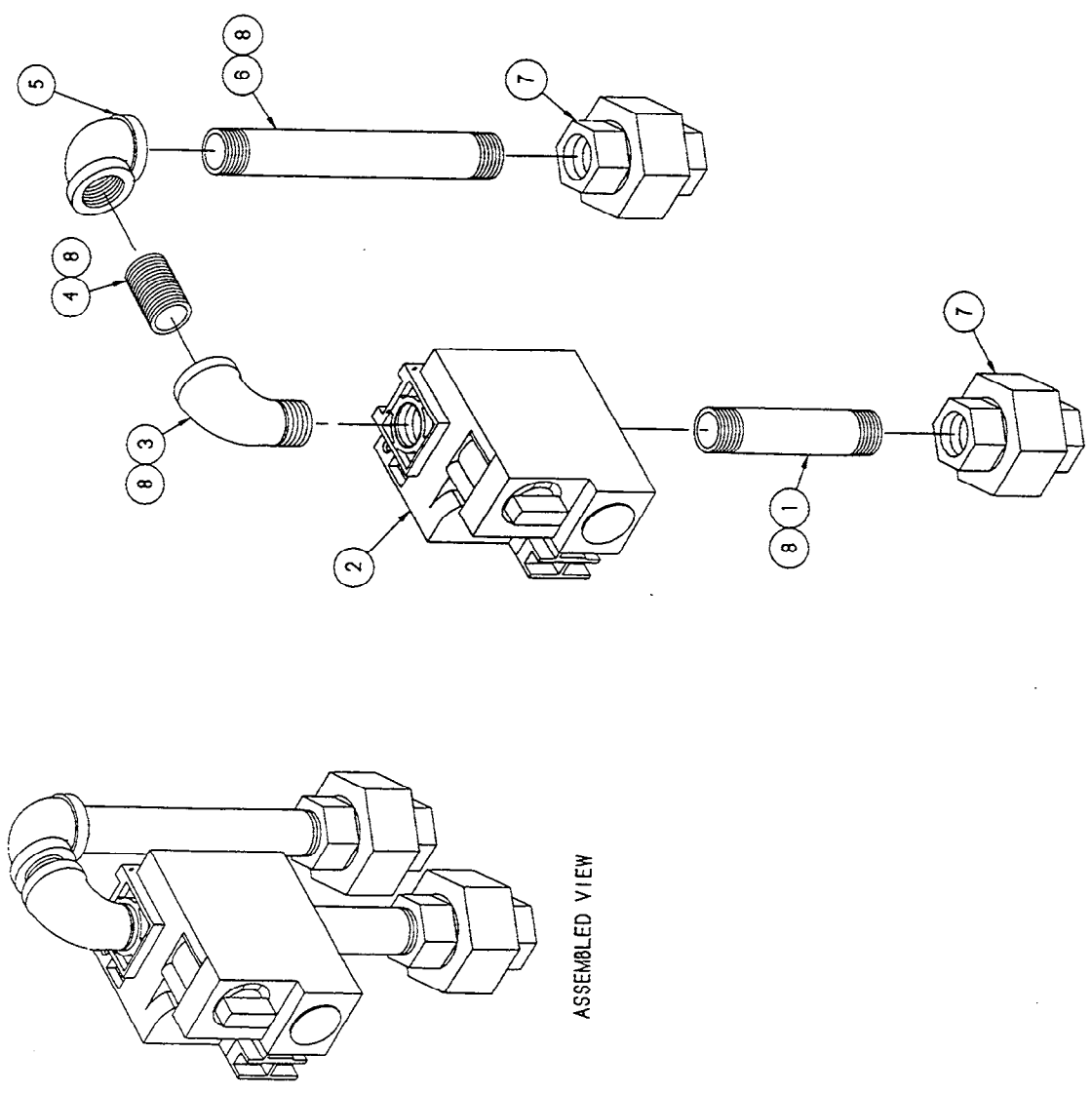
**CLEVELAND RANGE INC.**  
 1333 East 179th St., Cleveland, Ohio 44110-2574

DRAWN BY: E. GRIVEAS  
 APPROVED BY: NLT

TITLE: VALVE ASSEMBLY,  
 NATURAL GAS- 250/300 BTU

THIS DESIGN DESCRIBES A PROPRIETARY ITEM AND IS THE PROPERTY OF CLEVELAND RANGE. THIS DRAWING IS NOT TO BE COPIED OR USED WITHOUT THE APPROVAL OF CLEVELAND RANGE.

LET.	REVISIONS	DATE	BY



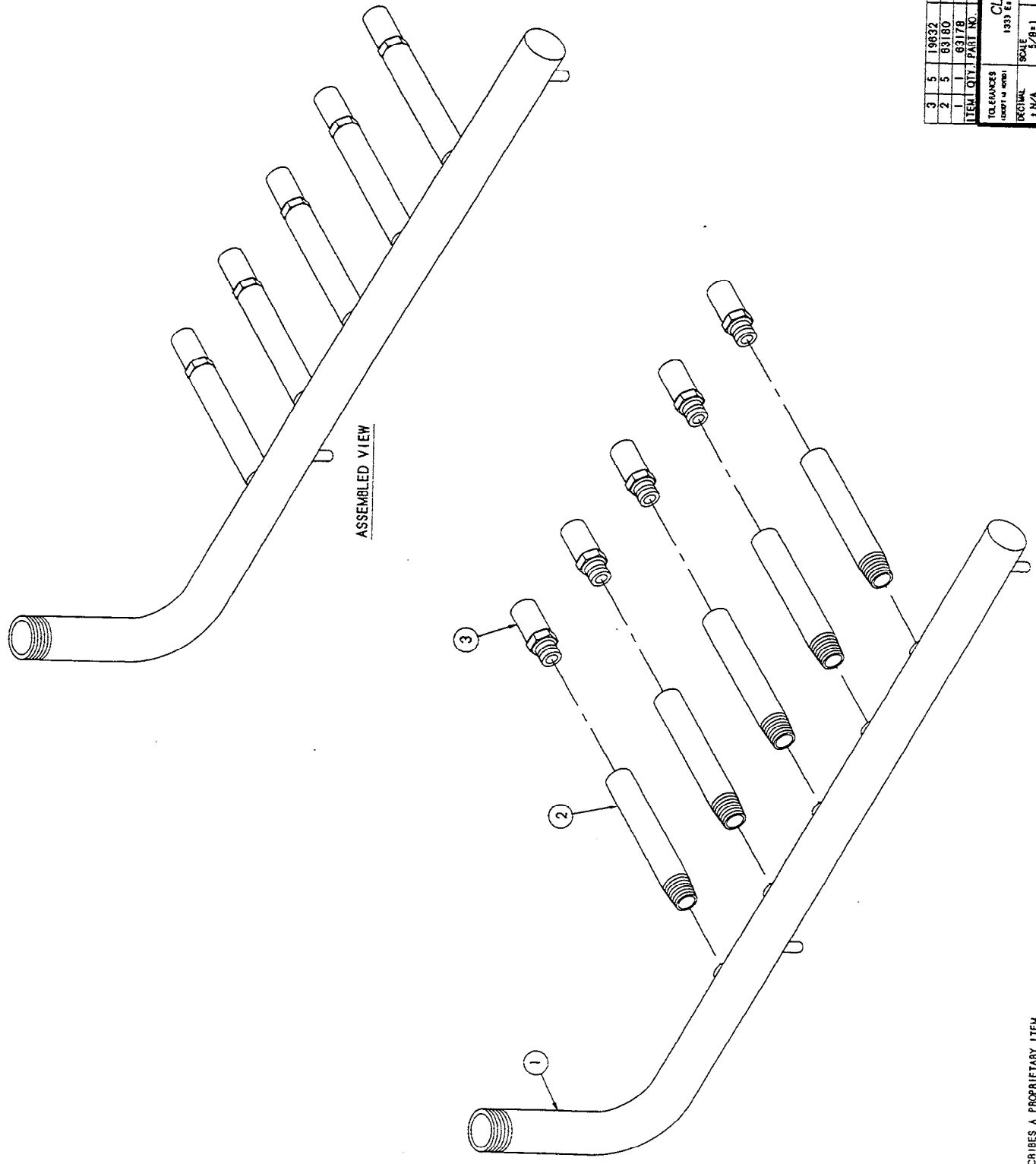
ASSEMBLED VIEW

ITEM	QTY.	PART NO.	DESCRIPTION
8	A/R	00934	SEALANT, RECTORSEAL
7	2	21305	UNION, 3/4" BLACK
6	1	14362	NIPPLE, 3/4" x 7.5' L.G., BLACK
5	1	05258	ELBOW, 3/4" 90° BLACK
4	1	14343	NIPPLE, 3/4" x CLOSE, BLACK
3	1	05259	ELBOW, STREET, 90°, 3/4", BLACK
2	1	22231	VALVE, GAS CONTROL FOR LP
1	1	14347	NIPPLE, 3/4" x 3' L.G., BLACK

TOLERANCES (EXCEPT AS NOTED)		CLEVELAND RANGE INC.	
1333 East 179th St. Cleveland, Ohio 44110-2574			
DECIMAL	SCALE	DRAWN BY	APPROVED BY
± N/A	3/8=1	E. GRIVEAS	NLT
ANGULAR	TITLE		
± N/A	VALVE ASSEMBLY, LIQUID PROPANE - 2" - 300 BTU		
CK	DATE	DRAWING NO.	REV.
	11-09-93	B - 43674	-

THIS DESIGN DESCRIBES A PROPRIETARY ITEM AND IS THE PROPERTY OF CLEVELAND RANGE. THIS DRAWING IS TO BE COPIED OR USED WITHOUT THE APPL. OF CLEVELAND RANGE.

LET. BY DATE

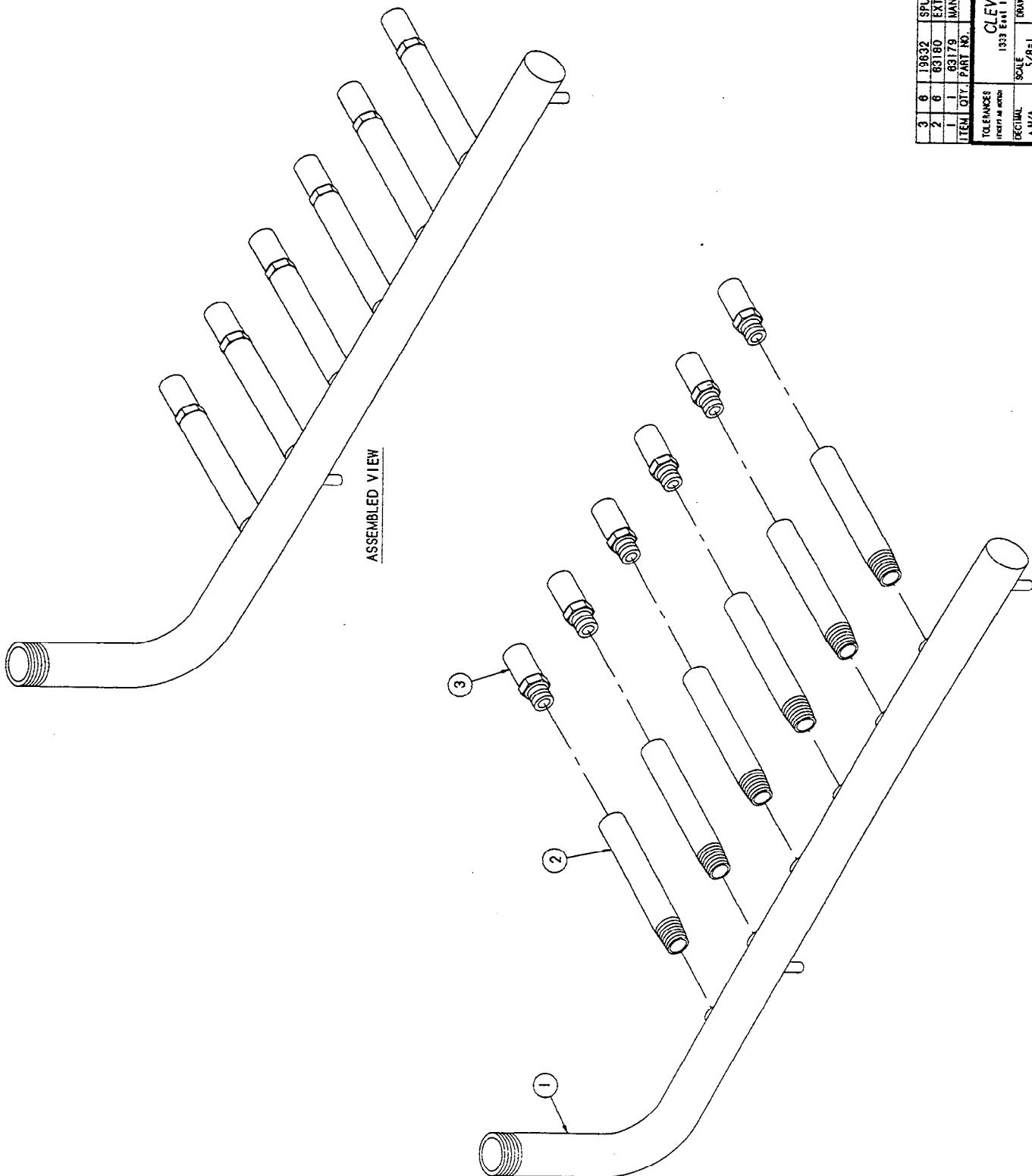


ASSEMBLED VIEW

3	5	18632	SPUDS, ORIFICE HOLDER, 5/8"
2	5	63180	EXTENSION, GAS MANIFOLD
1	1	63178	MANIFOLD, TUBE, 5 BURNER, GAS
ITEM QTY. PART NO.		DESCRIPTION	
TOLERANCES (UNLESS OTHERWISE SPECIFIED)			
DECIMAL		1/32 EXCEPT 1/16, 1/8, 1/4, 3/8, 1/2, 5/8, 3/4, 1, 1 1/2, 2, 3, 4, 5, 6, 8, 10, 12, 15, 20, 25, 30, 40, 50, 60, 70, 80, 100, 125, 150, 200, 250, 300, 400, 500, 600, 800, 1000	
FRACTIONAL		1/8, 1/4, 3/8, 1/2, 5/8, 3/4, 1, 1 1/2, 2, 3, 4, 5, 6, 8, 10, 12, 15, 20, 25, 30, 40, 50, 60, 70, 80, 100, 125, 150, 200, 250, 300, 400, 500, 600, 800, 1000	
ANGLE		1/4, 1/2, 3/4, 1, 1 1/2, 2, 3, 4, 5, 6, 8, 10, 12, 15, 20, 25, 30, 40, 50, 60, 70, 80, 100, 125, 150, 200, 250, 300, 400, 500, 600, 800, 1000	
HOLE		1/32 EXCEPT 1/16, 1/8, 1/4, 3/8, 1/2, 5/8, 3/4, 1, 1 1/2, 2, 3, 4, 5, 6, 8, 10, 12, 15, 20, 25, 30, 40, 50, 60, 70, 80, 100, 125, 150, 200, 250, 300, 400, 500, 600, 800, 1000	
CLEVELAND RANGE, INC. 1333 East 175th St., Cleveland, Ohio 44110-3374			
DRAWN BY		E. GRIVEAS	
APPROVED BY		[Signature]	
TITLE		MANIFOLD ASSM, R/B 5 BURNER, GAS, 230 RSTU	
DATE	11-10-93	DRAWING NO.	C - 40921
CHK		REV.	

THIS DESIGN DESCRIBES A PROPRIETARY ITEM AND IS THE PROPERTY OF CLEVELAND RANGE. THIS DRAWING IS NOT TO BE COPIED OR USED WITHOUT THE APPROVAL OF CLEVELAND RANGE.

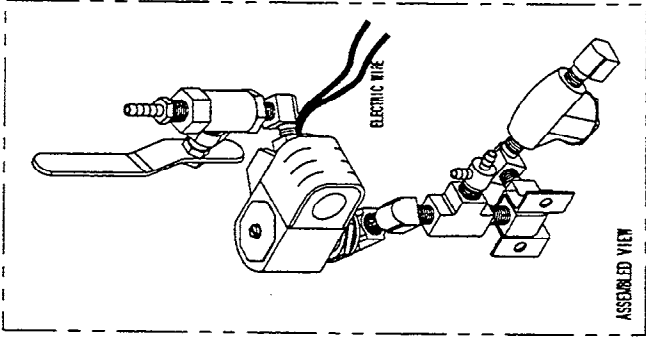
LET. REVISIONS DATE BY



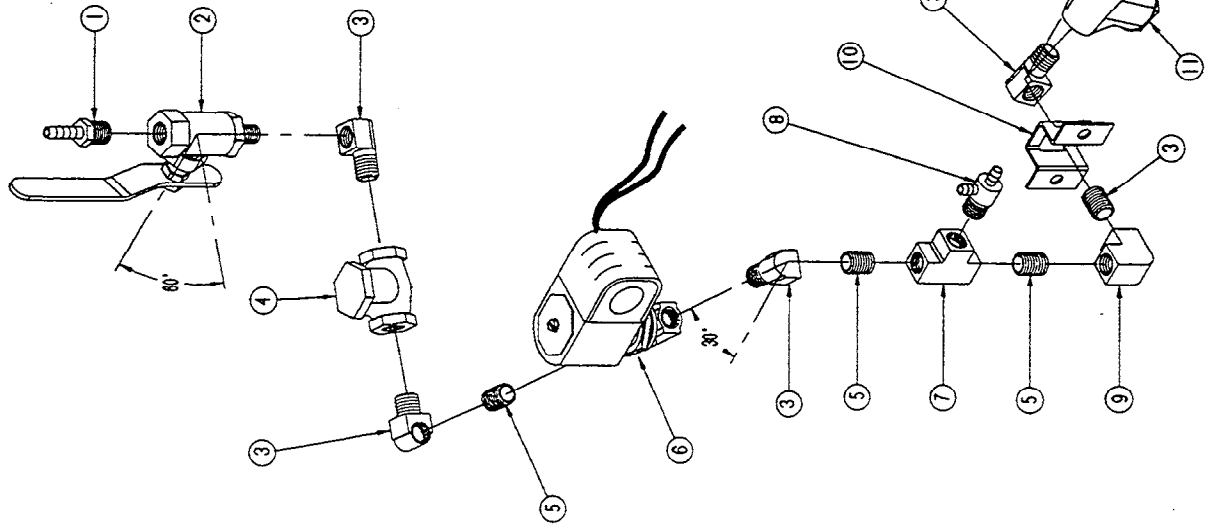
3	6	19632	SPADS, ORIFICE HOLDER, 5/8"
2	6	63180	EXTENSION, GAS MANIFOLD
1	1	63179	MANIFOLD, TUBE & BURNER, GAS
ITEM	QTY.	PART NO.	DESCRIPTION
<b>CLEVELAND RANGE, INC.</b> 1333 East 178th St., Cleveland, Ohio 44110-2814			
TOLERANCES (UNLESS NOTED)		SCALE 3/8"=1"	DRAWN BY E. GRI
DECIMAL ± 1/4	ANGULAR ± 1/4	TITLE MANIFOLD, & BURNER, GAS	APPROVED BY J. KBTU
DATE 11/10/00		DRAWING NO. C - 4110-2814	

THIS DESIGN DESCRIBED  
HEREIN IS THE PROPERTY  
OF CLEVELAND RANGE, INC.  
THIS DRAWING IS NOT  
TO BE REPRODUCED OR  
USED WITHOUT THE APPROVAL OF  
CLEVELAND RANGE, INC.

LET	REVISIONS	DATE	BY
G	ADDED 440702 PER E.O. C-1189	09-21-90	GS
H	P/N 06216 REMOVED FROM 440702 PER E.O. C-1994	08-13-91	PJD
J	P/N 06195 REMOVED FROM 440702 PER E.O. C-2092	11-26-91	SM
K	MOVED 440701 TO SEPARATE DRAWING	01-21-92	SM
L	NEW VALVE HOUSING ON P/N 22223 (PICTORIAL ONLY) E.O. C-2221 RI	02-04-93	PJD
M	REMOVED ASSY 410702, P/N 104381 WAS 06216, P/N 106588 WAS 06195, PER E.O. C-2448	08-22-93	EAG



ASSEMBLED VIEW



NOTE: 1. MOUNT P/N 100664 TO LOWER RIGHT FRONT CASSET (BASE FRAME).

QTY.	ITEM	PART No.	DESCRIPTION
11	18070		STRAINER - 1/4"
10	100664		CLAMP, MOUNTING
9	05236		ELBOW, 1/4" 90° BRASS
8	106588		TEE, 1/4" ROSE BARR
7	20159		TEE, 1/4" BRASS
6	22223		VALVE, SOLENOID 1/4" NPT (P2801)
4	14301		WIPPLE, CLOSE 1/4" BRASS
4	21002		VALVE, CHECK 1/4" NPT
4	05235		ELBOW, STREET 1/4"-90° BRASS
2	08276		VALVE, BALL 1/4" NPT
1	104381		FITTING, ROSE 1/4" H X 1/4" NPT

SEE NOTE 1

△△△

△

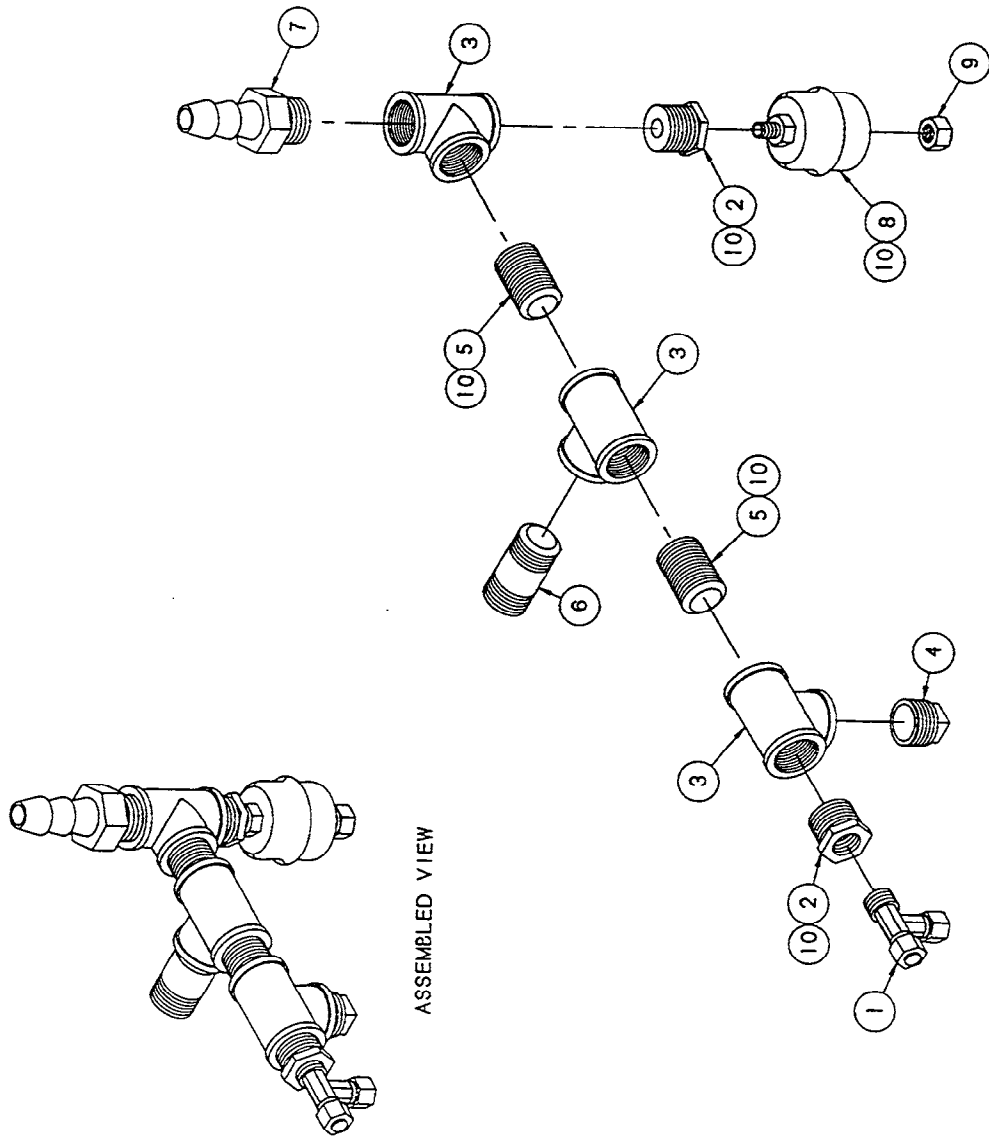
△△△

△△△

CLEVELAND RANGE INC.			
1333 East 179th St., Cleveland, Ohio 44110-3574			
SCALE	1/2"	DRAWN BY	ADDU
APPROVED BY	D.S.		
TITLE	PIPING ASSY., WATER FEED CONVECTION STEAMER ELECTRIC, AND GAS		
DATE	09-14-90	DRAWING NO.	C-44070
REV.	M.		

THIS DESIGN DESCRIBES A PROPRIETARY ITEM AND IS THE PROPERTY OF CLEVELAND RANGE. THIS DRAWING IS NOT TO BE COPIED OR USED WITHOUT THE APPROVAL OF CLEVELAND RANGE.

LET. DATE BY



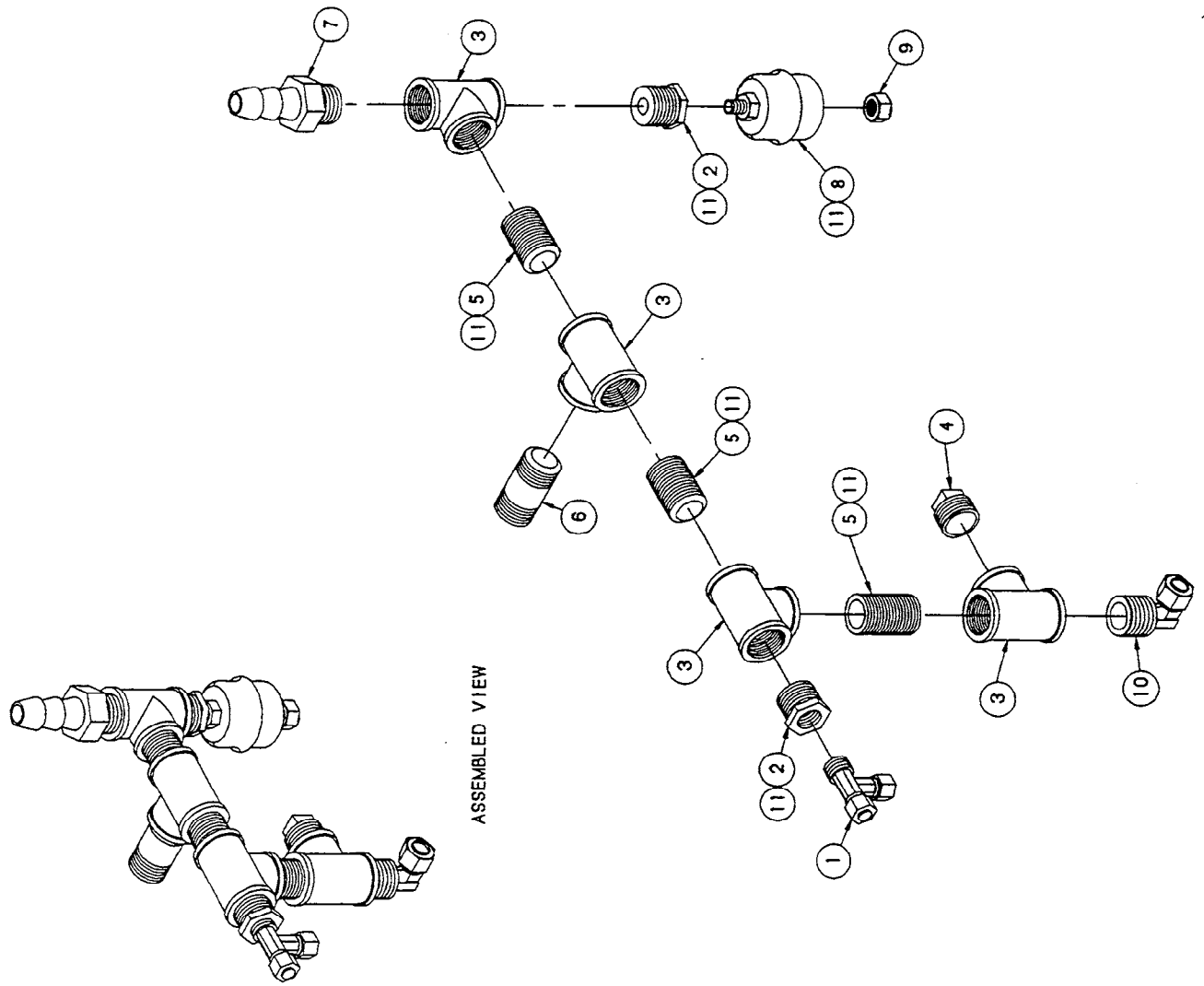
ASSEMBLED VIEW

ITEM	QTY.	PART NO.	DESCRIPTION
10	1	00934	SEALANT, RECTORSEAL
9	1	1468	NUT, COMPRESSION, 1/4" TUBE, BRASS
8	1	101207	TRAP, THERMOSTATIC, 1/4" X 1/4"
7	1	08240	FITTING, HOSE BARB 3/4" HOSE X 3/4" MPT BRASS
6	1	14481	NIPPLE, 3/4" X 2, BRASS
5	2	14342	NIPPLE, 3/4" X CLOSE, BRASS
4	1	16607	PLUG, SQUARE HEAD, 3/4, BRASS
3	3	20298	TEE, 3/4 BRASS
2	2	02583	BUSHING, REDUCING, 3/4 X 1/4, BRASS
1	1	100883	FITTING, COMP., TEE 3/8T X 3/8MPT X 3/8T

<b>CLEVELAND RANGE INC.</b> 1333 East 179th St., Cleveland, Ohio 44110-2514	
SCALE	DRAWN BY
1/2"=1"	E. GRIVEAS
TITLE	APPROVED BY
STEAM OUTLET ASSEMBLY	NLT
REV. BEND GENERAL	REV. 2/21
DATE	DRAWING NO.
10.07.00	C 400100

THIS DESIGN DESCRIBES  
 A BINARY ITEM  
 AND IS THE PROPERTY OF  
 CLEVELAND RANGE  
 THIS DRAWING IS NOT TO  
 BE REPRODUCED OR USED  
 WITHOUT THE APPROVAL OF  
 CLEVELAND RANGE.

LET. REVISIONS DATE BY



ASSEMBLED VIEW

ITEM	QTY.	PART NO.	DESCRIPTION
11	1	00934	SEALANT, RECTORSSEAL
10	1	08187	FITTING, COMP., 90 DEG. 1/2" X 3/4" MPT
9	1	14681	M/T. COMPRESSION, 1/4" TUBE, BRASS
8	1	101207	TRAP, THERMOSTATIC, 1/4" X 1/4"
7	1	08240	FITTING, HOSE MARB 3/4" HOSE X 3/4" MPT BRASS
6	1	14431	NIPPLE, 3/4 X 2, BRASS
5	3	14342	NIPPLE, 3/4 X CLOSE, BRASS
4	1	18807	PLUG, SQUARE HEAD, 3/4, BRASS
3	4	20208	TEE, 3/4 BRASS
2	2	02569	BUSHING, REDUCING, 3/4 X 1/4, BRASS
1	1	100883	FITTING, COMP., TEE 3/8" X 3/8" MPT X 3/8"

TOLERANCES		CLEVELAND RANGE INC.	
(UNLESS OTHERWISE SPECIFIED)		1333 East 179th St., Cleveland, Ohio 44110-2574	
DECIMAL	± N/A	SCALE	1/2"=1"
ANGULAR	± N/A	TITLE	STEAM OUTLET ASSY, 42XEW120XEN
CK		DATE	2-03-94
		DRAWING NO.	C - 428126
		REV.	-

ITEM	QTY.	PART NO.	DESCRIPTION
11	1	00934	SEALANT, RECTORSSEAL
10	1	08187	FITTING, COMP., 90 DEG. 1/2" X 3/4" MPT
9	1	14681	M/T. COMPRESSION, 1/4" TUBE, BRASS
8	1	101207	TRAP, THERMOSTATIC, 1/4" X 1/4"
7	1	08240	FITTING, HOSE MARB 3/4" HOSE X 3/4" MPT BRASS
6	1	14431	NIPPLE, 3/4 X 2, BRASS
5	3	14342	NIPPLE, 3/4 X CLOSE, BRASS
4	1	18807	PLUG, SQUARE HEAD, 3/4, BRASS
3	4	20208	TEE, 3/4 BRASS
2	2	02569	BUSHING, REDUCING, 3/4 X 1/4, BRASS
1	1	100883	FITTING, COMP., TEE 3/8" X 3/8" MPT X 3/8"

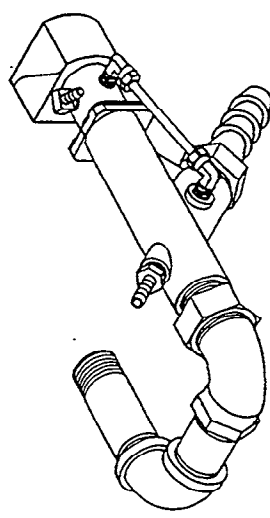
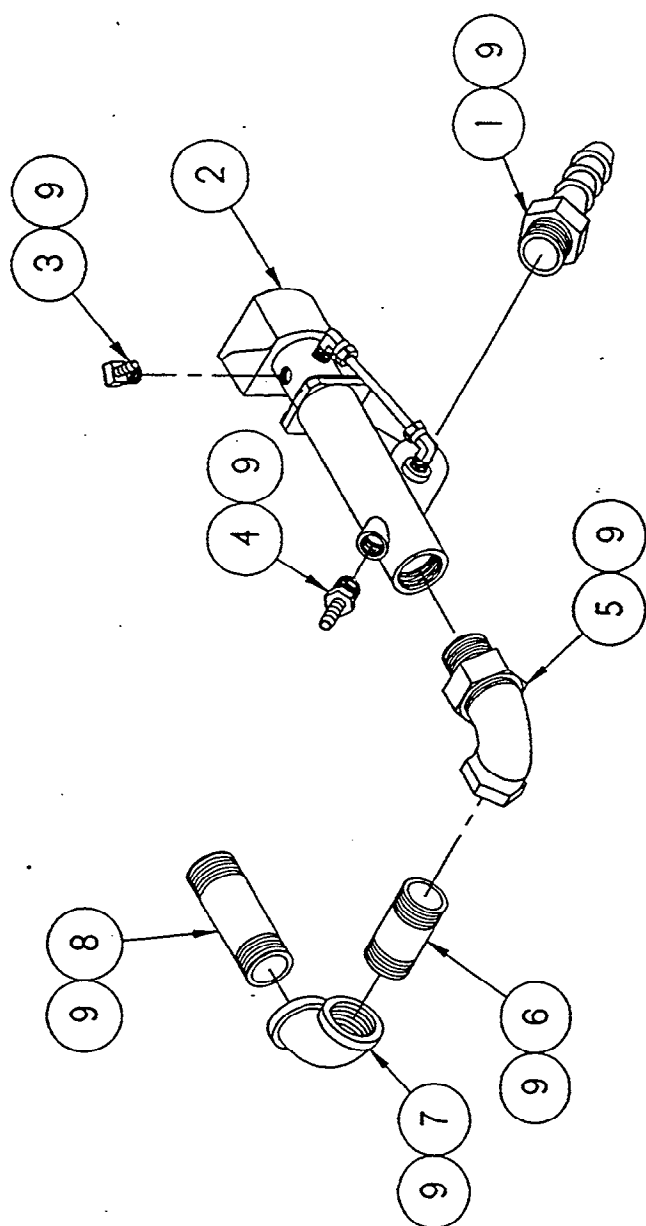
  

TOLERANCES		CLEVELAND RANGE INC.	
(UNLESS OTHERWISE SPECIFIED)		1333 East 179th St., Cleveland, Ohio 44110-2574	
DECIMAL	± N/A	SCALE	1/2"=1"
ANGULAR	± N/A	TITLE	STEAM OUTLET ASSY, 42XEW120XEN
CK		DATE	2-03-94
		DRAWING NO.	C - 428126
		REV.	-

THIS DESIGN DESCRIBES A PROPRIETARY ITEM AND IS THE PROPERTY OF CLEVELAND RANGE. THIS DRAWING IS NOT TO BE COPIED OR USED WITHOUT THE APPROVAL OF CLEVELAND RANGE.



LET	REVISIONS	DATE	BY
A	P/A 20208 WAS 20149, E/O 12013	11-13-91	SU
B	ROTATED P/A 63217 & ADDED NOTE 1	04-18-93	SU
C	P/A 09210 WAS 09211, P/A 22211 WAS 22221, P/A 104291 WAS 09216, P/A 03260 WAS 03261, P/A 11405 WAS 11406, P/A 105787 ADDED, NO P/S 02071, 20208 & 11921 Omitted, PER E.O. 12812	06-18-93	PJO



NOTES:  
1. ROTATE TOWARDS S/S NIPPLE ABOUT 45°  
FOR SMALL GAS PRESSURES (1/2).

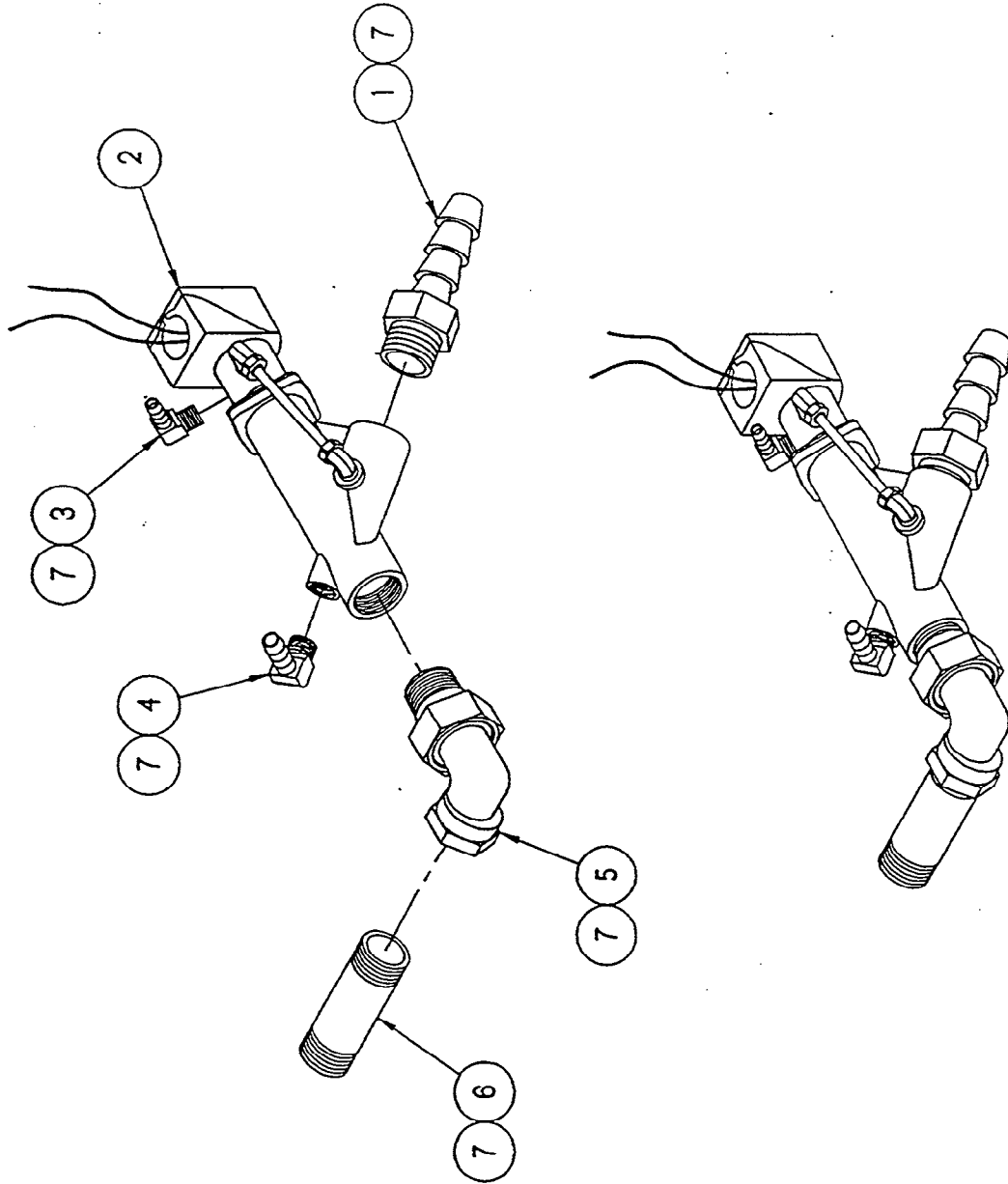
QTY.	PART NO.	DESCRIPTION
1	0931	SEALANT, RECTANGUL
1	11495	NIPPLE, 3/4" HT X 3, S/S
1	05280	ELBOW, 3/4" X 3/4, 90°
1	11431	NIPPLE, 3/4" X 2, BRASS
1	09203	ELBOW, RADIIATOR, 3/4" X 90°
1	10430	FITTING, ROSE BANG, 1/4" H X 1/4" HT
3	105787	FITTING, ROSE BANG, 1/4" H X 1/4" HT 90°
2	22211	VALVE, SOLENOID, 1/2", 15 PSI
1	06240	FITTING, ROSE BANG, 3/4" H X 3/4" HT

NO.	TELEPHONES	CLEVELAND RANGE INC.
(202) 414-8801	1320 East 171st St., Cleveland, Ohio 44110-2371	
DECIMAL	SCALE	DRAWN BY
1/4" = 1"	1/4" = 1"	S. MILLERSKI
APPROVED BY	TITLE	DATE
	PIPING ASSEMBLY, BLOWDOWN	11-07-91
	3600N, 3800D/16, 38FOCA, F04	REV. C
	DRAWING NO. C - 40811	

THIS DESIGN DESCRIBES A PROPRIETARY ITEM  
AND IS NOT TO BE REPRODUCED OR USED  
WITHOUT THE APPROVAL OF CLEVELAND RANGE.

NOTE:

1. ROTATE VALVE 45° (AS SHOWN) FOR 36PCEM.



ASSEMBLED UNIT

LET.	REVISIONS	DATE	BY
-	PRODUCTION RELEASE E.O. #C-2008	09-11-91	PJD
A	P/N 20208 WAS 20249 ADDED P/N 14990 & 00934 E.O. #C-2075	11-12-9	PJD
B	P/N 08240 WAS 06241, P/N 101381 WAS 06214, P/N 22244 WAS 22221, P/Ns 14326, 02568, 20206, 03277 & 14990 OMITTED. P/Ns 105787 & 14995 ADDED PER E.O. #C-2448	08-21-93	PJD

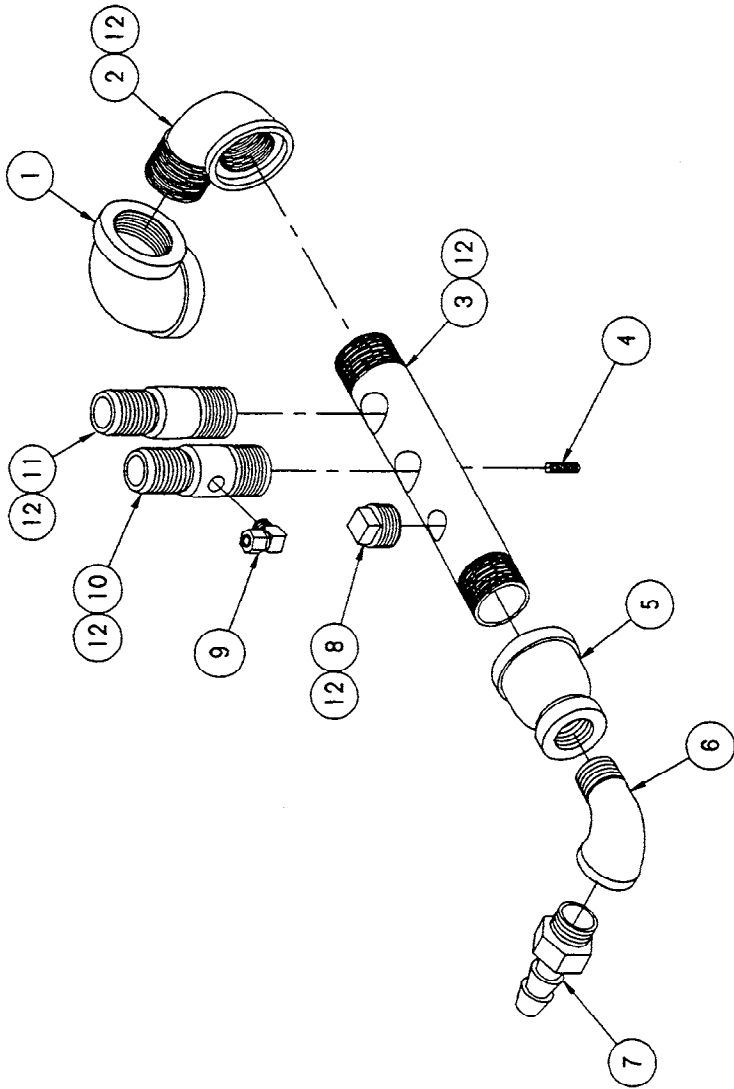
NO.	QTY.	PART NO.	DESCRIPTION
7	N/A	00934	SEALANT, RECTORSSEAL
6	1	14995	HIPPLE, 3/4 NPT X 3' LG., S/S
5	1	05283	ELBOW, UNION RADIATOR
4	1	105786	FITTING, HOSE BARB, 1/4" H X 1/4" NPT, 90°
3	1	105787	FITTING, HOSE BARB, 1/4" H X 1/4" NPT, 90°
2	1	22244	VALVE, SOLENOID, 1/2", 15 PSI
1	1	08240	FITTING, HOSE BARB, 3/4" H X 3/4" NPT

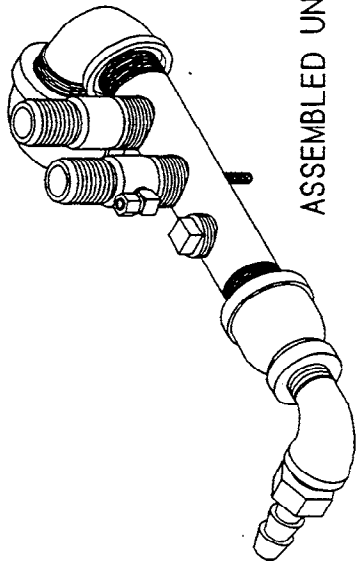
TOLERANCES (UNT. UNLESS NOTED)		CLEVELAND RANGE INC. 1333 East 173rd St., Cleveland, Ohio 44110-2171	
DECIMAL	± N/A	SCALE	3/8"=1"
ANGULAR	± N/A	DRAWN BY	DUTCHMAN
OK		APPROVED BY	
		TITLE	PIPING ASSY, BLOWDOWN, 36PCEM, 36PCEM, 36CEM16, 400CEM, 400CEM
		DATE	09-11-91
		DRAWING NO.	C-1005121
		REV.	B

THIS DESIGN DESCRIBES A PROPRIETARY ITEM AND IS THE PROPERTY OF CLEVELAND RANGE. IT IS TO BE USED WITHOUT THE APPROVAL OF CLEVELAND RANGE.

LET.	REVISIONS	DATE	BY
-	PRODUCTION RELEASE E.O. 12-1994	08-23-91	P.D.
A	P/A 14317 & 20205 OMITTED AND P/A 06240 WAS QTY. OF 2 PER E.O. 12-2448	08-22-98	P.D.



12	A/R	00934	SEALANT, RECTORSEAL
11	1	14481	FITTING, BARB 1" H X 1" MPT S/S
10	1	595191	FITTING, HOSE, DRAIN MANIFOLD W/ 1/8" HOLE
9	1	08192	FITTING, COMP. 1/4" T X 1/8" MPT 90°
8	1	18608	PLUG, SO. HEAD, 3/4" PIPE, BLACK
7	1	08240	FITTING, HOSE BARB 3/4" H X 3/4" MPT
6	1	05259	ELBOW, STREET 3/4" X 90°, BLACK
5	1	03616	COUPLING, RED. 1-1/2" X 3/4", BLACK
4	1	13917	STUD, WELD 1/4"-20 X 7/8", S/S
3	1	13252	MANIFOLD, DRAIN 1-1/2" NPT, BLACK
2	1	05292	ELBOW, STREET 1-1/2" NPT X 90°, BLACK
1	1	05238	ELBOW, 1-1/2" NPT X 90°, BLACK
ITEM	QTY.	PART NO.	DESCRIPTION
TOLERANCES (EXCEPT AS NOTED)			
DECIMAL	± 1/4	APPROVED BY	
ANGULAR	± 1/4	DRAWN BY P. J. D.	
CK	08-13-91	DATE	



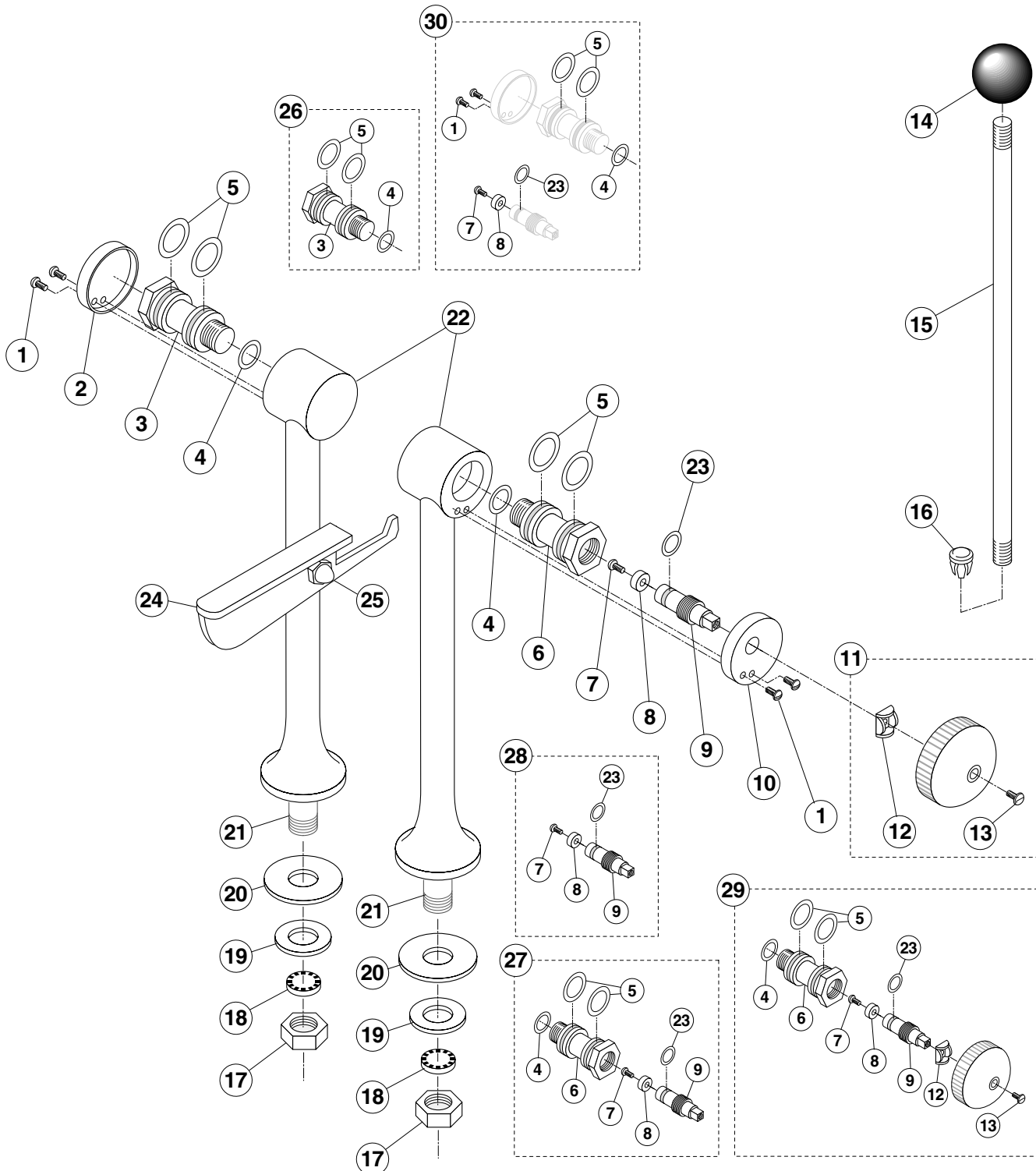
ASSEMBLED UNIT

CLEVELAND RANGE INC. 1933 East 179th St. Cleveland, OH 44110-2574	
SCALE	1/2"
TITLE	PIPING ASSEMBLY, DRAIN
DATE	08-13-91
REV.	A
DRAWING NO.	C - 31

THIS DESIGN DESCRIBES A PROPRIETARY ITEM AND IS THE PROPERTY OF CLEVELAND RANGE. THIS DESIGN IS NOT TO BE COPIED OR USED WITHOUT THE APPROVAL OF CLEVELAND RANGE.

# SERVICE PARTS

## STEAM CONTROL ASSEMBLY



# STEAM CONTROL ASSEMBLY

ITEM NO.	PART NO.	DESCRIPTION	QTY.
1.	FA11056	Binding Head Screw, 6-32 x 1/2" Ig. ....	4
2.	KE50458	End Cap, condensate return .....	1
3.	KE50455-1	Trunnion, condensate return .....	1
4.	FA05002-35	"O" Ring .....	2
5.	FA05002-37	"O" Ring .....	4
6.	KE50460-1	Trunnion, steam inlet .....	1
7.	FA11089	Binding Head Screw, 8-32 x 1/4" Ig. ....	1
8.	KE51713	Washer, steam valve .....	1
9.	KE50459	Operating Stem .....	1
10.	KE50457	End Cap, steam inlet .....	1
11.	SE00028	Steam Control Knob Assembly (c/w Item No. 12, 13 & Knob) .....	1
12.	KE51888	Retaining Washer .....	1
13.	FA11092	Binding Head Screw, 8-32 x 1/2" Ig. ....	1
14.	KE50151-E	Knob, threaded (after 07/94) .....	1
	KE50151	Knob, non threaded (prior to 06/94) .....	1
15.	KE50886-1	Handle, KDT-1-T .....	1
	KE50886-2	Handle, KDT-3-T .....	1
	KE50886-3	Handle, KDT-6-T & KDT-12-T .....	1
	KE50886-4	Handle, KDT-20-T .....	1
16.	KE50475	Plug Button .....	1
17.	KE52697	Lock Nut, 1/2" NPS .....	2
18.	FA32500	Lockwasher .....	2
19.	FA30502	Washer, satin coat .....	2
20.	KE50467	Washer, Foot .....	2
21.	KE50465	Service Pipe, KDT-1-T & KDT-3-T .....	2
	KE50462	Service Pipe, KDT-6-T. ....	2
	KE50463	Service Pipe, KDT-12-T .....	2
	KE50464	Service Pipe, KDT-20-T .....	2
22.	KE00203	Leg Assembly .....	2
23.	FA05002-12	"O" Ring .....	1
24.	KE01115	Marine Lock Latch, KDT-12-T & KDT20-T only .....	1
25.	KE52632	Crown Nut, KDT-12-T & KDT20-T only .....	1
26.	SE00096	Steam Outlet Assembly .....	1
27.	SE00011	Trunnion Assembly, steam inlet .....	1
28.	SE00029	Operating Stem Assembly, steam inlet .....	1
29.	SE00030	Steam Inlet Control Assembly .....	1
30.	SE00112	"O" Ring Replacement Kit .....	1

Requires Knob -  
Item No.  
KE50151-E

## Free Manuals Download Website

<http://myh66.com>

<http://usermanuals.us>

<http://www.somanuals.com>

<http://www.4manuals.cc>

<http://www.manual-lib.com>

<http://www.404manual.com>

<http://www.luxmanual.com>

<http://aubethermostatmanual.com>

Golf course search by state

<http://golfingnear.com>

Email search by domain

<http://emailbydomain.com>

Auto manuals search

<http://auto.somanuals.com>

TV manuals search

<http://tv.somanuals.com>