



## Trolley Systems for Table Type Models

### Roll-In Frame (for oven compartment)

Model #	Description
CRF-10	for models 6.10 & 10.10
CRF-20	for models 6.20 & 10.20



### Cassette Transport Trolley

Model #	Description
CCTT-10	for models 6.10 & 10.10
CCTT-20	for models 6.20 & 10.20



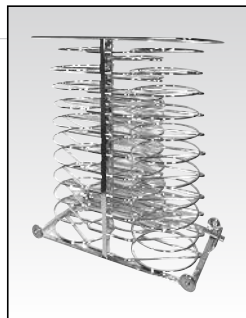
### Shelf Rack Cassette

Model #	Description
CSRC-610	for model 6.10
CSRC-1010	for model 10.10
CSRC-620	for model 6.20
CSRC-1020	for model 10.20



### Plate Rack Cassette

Model #	Description
CPRC-610	for model 6.10
CPRC-1010	for model 10.10
CPRC-620	for model 6.20
CPRC-1020	for model 10.20

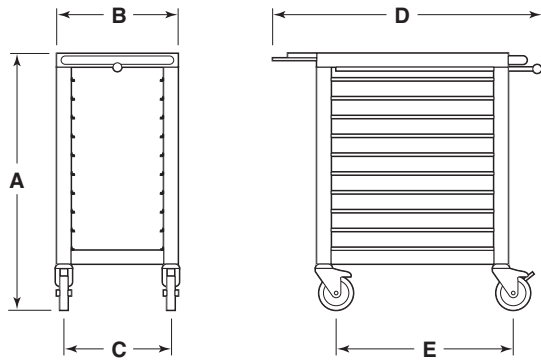


### Thermal Cover (for Plate Rack Cassette & Shelf Rack Cassette)

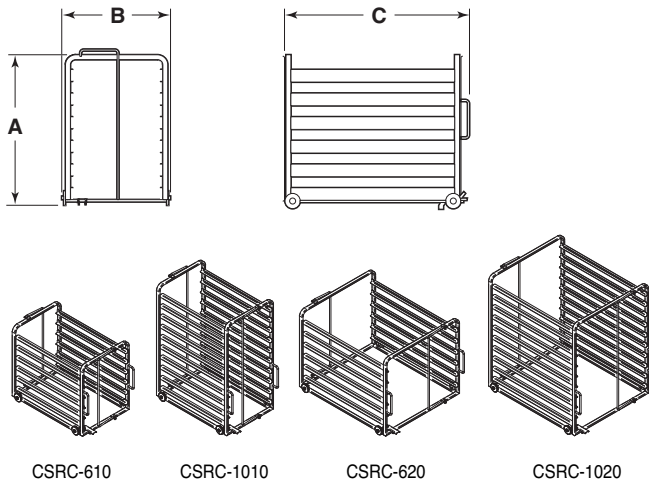
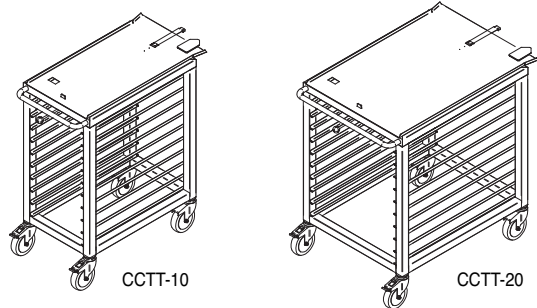
Model #	Description
CTC-610	for model 6.10
CTC-1010	for model 10.10
CTC-620	for model 6.20
CTC-1020	for model 10.20



### Cassette Transport Trolley



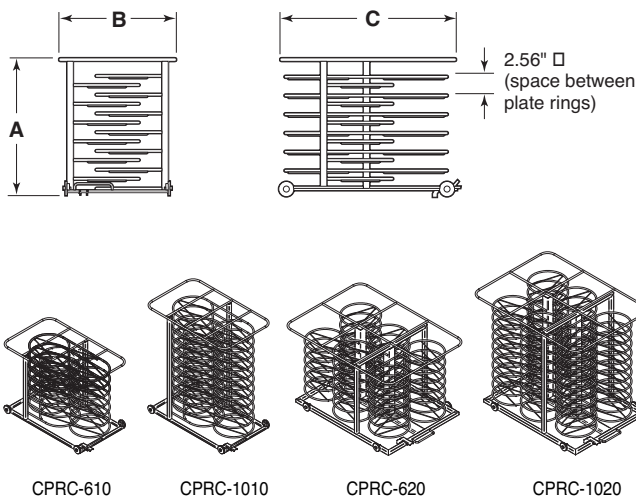
Model #	Dimensions (inches)				
	A	B	C	D	E
CCTT-10	36.06	16.26	14.65	35.67	27.78
CCTT-20	36.06	24.33	22.73	40.39	29.25



### Shelf Rack Cassette / Cassette Transport Trolley

Model #	Dimensions (inches)		
	A	B	C
CSRC-610	18.19	14.96	22.60
CSRC-1010	28.90	14.96	22.99
CSRC-620	20.00	23.03	27.32
CSRC-1020	28.86	23.03	27.32

Shelf Capacity	
CSRC-610	6 (12" by 20" by 2 1/2" steam table pans)
CSRC-1010	10 (12" by 20" by 2 1/2" steam table pans)
CSRC-620	6 (18" by 26" full size sheet pans)
CSRC-1020	10 (18" by 26" full size sheet pans)



### Plate Rack Cassette / Cassette Transport Trolley

Model #	Dimensions (inches)		
	A	B	C
CPRC-610	20.31	15.00	26.18
CPRC-1010	29.49	15.00	26.18
CPRC-620	20.31	24.21	33.07
CPRC-1020	29.17	24.21	33.07

Plate Capacity*	
CPRC-610	20
CPRC-1010	32
CPRC-620	42
CPRC-1020	63

\* Holds plates up to 12" dia.

#### NOTES:

Cleveland Range reserves right of design improvement or modification, as warranted.  
Many regional, state and local codes exist and it is the responsibility of the owner and installer to comply with the codes.  
Cleveland Range equipment is built to comply with applicable standards for manufacturers.

## Free Manuals Download Website

<http://myh66.com>

<http://usermanuals.us>

<http://www.somanuals.com>

<http://www.4manuals.cc>

<http://www.manual-lib.com>

<http://www.404manual.com>

<http://www.luxmanual.com>

<http://aubethermostatmanual.com>

Golf course search by state

<http://golfingnear.com>

Email search by domain

<http://emailbydomain.com>

Auto manuals search

<http://auto.somanuals.com>

TV manuals search

<http://tv.somanuals.com>