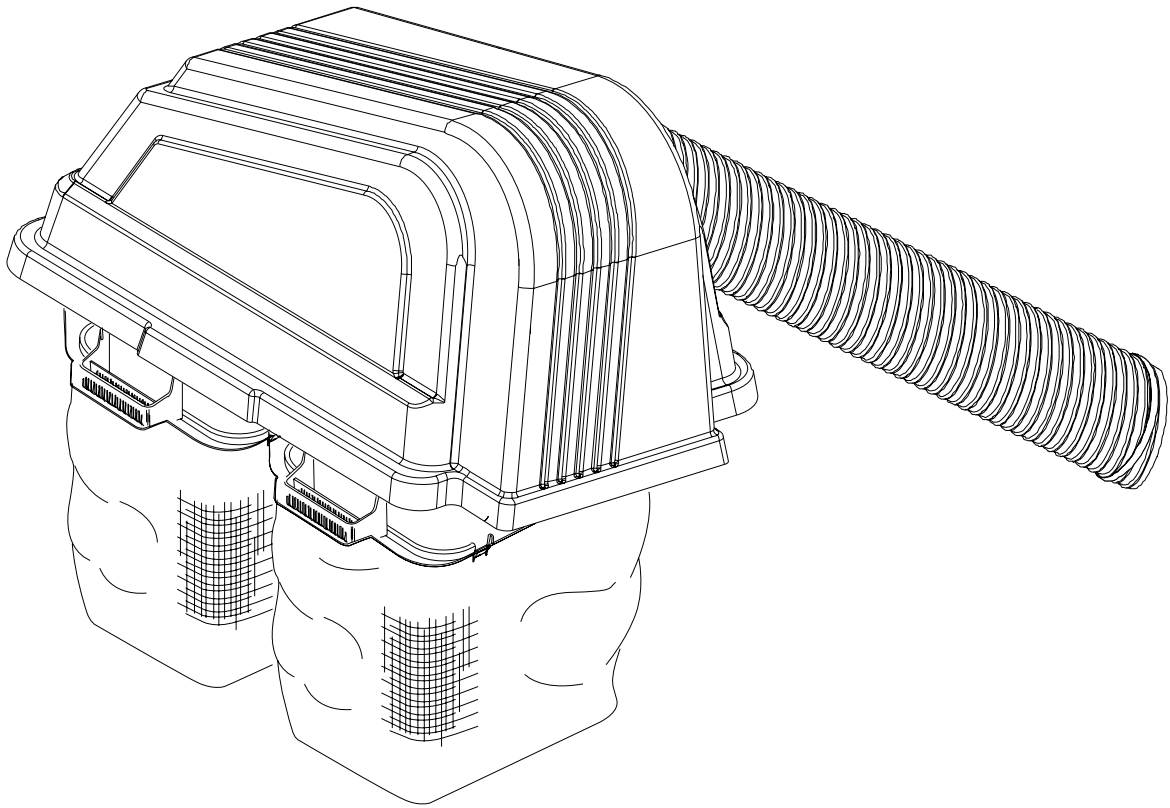


Operator and Parts Manual



Grass Bagger
Dixon SpeedZTR 36"
Kit 539 131305

CONGRATULATIONS on your purchase of a new Grass Bagger. It has been designed, engineered and manufactured to give you the best possible dependability and performance.

Should you experience any problem you cannot easily remedy, please contact your nearest authorized service center/ department. They have competent, well-trained technicians and the proper tools for service and repairs.

Please read and retain this manual. The instructions will enable you to assemble and maintain your Grass Bagger properly. Always observe the "SAFETY RULES".

KNOW YOUR GRASS BAGGER

READ THIS OPERATION MANUAL AND THE SAFETY RULES BEFORE ASSEMBLING OR OPERATING YOUR GRASS BAGGER. Compare the illustrations with the carton contents to familiarize yourself with the parts before starting the assembly. Study the operating instructions and safety precautions thoroughly to insure proper functioning of your Grass Bagger and to prevent injury to yourself and others. Save this manual for future reference.



WARNING

The operation of any mower can result in foreign objects thrown into the eyes, which can result in severe eye damage. ALWAYS wear safety glasses or eye shields before starting your mower and while mowing. We recommend a wide vision safety mask for over the spectacles or standard safety glasses.

TABLE OF CONTENTS

SAFETY RULES	4-6
CARTON CONTENTS	7
ASSEMBLY	8 - 10
OPERATION	11
CUSTOMER RESPONSIBILITIES	12
PARTS	13-14

SAFETY RULES



SAFE OPERATION PRACTICES FOR RIDE-ON MOWERS



DANGER !

THIS CUTTING MACHINE IS CAPABLE OF AMPUTATING HANDS AND FEET AND THROWING OBJECTS. FAILURE TO OBSERVE THE FOLLOWING SAFETY INSTRUCTIONS COULD RESULT IN SERIOUS INJURY OR DEATH.

I. GENERAL OPERATION

- Read, understand and follow all instructions in the manual and on the machine before starting.
- Only allow responsible adults, who are familiar with the instructions, to operate the machine.
- Clear the area of objects such as rocks, stones, toys, wire etc., which could be picked up and thrown by the blades.
- Be sure the area is clear of all people and pets before mowing. Stop the machine if anyone enters the area.
- Never carry passengers or children even with blades off.
- Do not mow in reverse unless absolutely necessary. Always look down and behind before and while backing.
- Be aware of the mower discharge direction and do not direct it towards anyone. Do not operate the mower without either the entire grass bagger or the guard in place.
- Slow down before turning.
- Never leave the machine unattended when the engine is running. Always turn off the blades, set the parking brake, stop the engine and remove the key before leaving the machine.
- Turn off blades when not mowing.
- Stop engine before removing grass bagger or unclogging chute.
- Mow only in daylight or good artificial light.
- Do not operate the machine while under the influence of alcohol or drugs.
- Watch out for traffic when operating near or crossing roadways.
- Use extra care when loading and unloading the machine onto a trailer or truck.
- Data indicates that operators, age 60 years and above, are involved in a large percentage of riding mower-related injuries. These operators should evaluate their ability to operate the riding mower safely enough to protect themselves and others from serious injury.
- **DO NOT** operate mower with grass bagger, unless the front weights are installed.

- Keep machine free of grass, leaves or other debris buildup which can touch hot exhaust/engine parts and burn. Do not allow the mower deck to plow leaves or other debris which can cause buildup to occur. Clean any oil or fuel spillage before operating or storing the machine. Allow machine to cool before storage.

II. SLOPE OPERATION

Slopes are a major factor related to loss-of-control and tip-over accidents, which can result in severe injury or death. All slopes require extra caution. If you cannot back up the slope or if you feel uneasy on it, do not mow it.

DO

- Mow up and down slopes (10° Max.), not across.
- Remove obstacles such as rocks, tree limbs, etc.
- Watch for holes, ruts, or bumps. Uneven terrain could overturn the machine. **Tall grass can hide obstacles.**
- Use slow speed. Choose a low speed so that you will not have to stop while on the slope.
- Use extra care with grass baggers or other attachments. These can change the stability of the machine.
- Keep all movement on the slopes **slow** and **gradual**. Do not make sudden changes in speed or direction.
- Avoid starting or stopping on a slope. If tires lose traction, disengage the blades and proceed slowly **straight** down the slope.

SAFETY RULES



SAFE OPERATION PRACTICES FOR RIDE-ON MOWERS



DO NOT

- **Do not** turn on slopes unless necessary, and then, turn slowly and gradually downhill, if possible.
- **Do not** mow near drop-off, ditches, or embankments. The mower could suddenly turn over if a wheel is over the edge of a cliff or ditch, or if an edge caves in.
- **Do not** mow on wet grass. Reduced traction could cause sliding.
- **Do not** try to stabilize the machine by putting your foot on the ground.

III. CHILDREN

Tragic accidents can occur if the operator is not alert to the presence of children. Children are often attracted to the machine and the mowing activity.

Never assume that children will remain where you last saw them.

- **NEVER allow children to operate the machine.**
- Keep children out of the mowing area and under the watchful care of another responsible adult.
- Be alert and turn off the machine if children enter the area.
- Before and when backing, look behind and **down** for small children.
- Never carry children. They may fall off and be seriously injured or interfere with safe machine operation.
- Use extra care when approaching blind corners, shrubs, trees, or other objects that may obscure vision.

IV. SERVICE

- The operation of any mower can result in foreign objects thrown into the eyes, which can result in severe eye damage. Always wear safety glasses or eye shields while operating your mower or performing any adjustments or repairs. We recommend a wide vision safety mask over spectacles or standard safety glasses.
- Use extra care in handling gasoline and other fuels. They are flammable and vapors are explosive.
 - Use only an approved container.
 - Never remove gas cap or add fuel with the engine running.
 - Allow engine to cool before refueling.
 - Do not smoke.
 - Never refuel the machine indoors.
 - Never store the machine or fuel container inside where there is an open flame, such as a water heater.
- Never run a machine inside a closed area.
- Keep nuts and bolts, especially blade attachment bolts, tight and keep equipment in good condition.
- Never tamper with safety devices. Check there proper operation regularly.
- Keep machine free of grass, leaves, or other debris buildup. Clean oil or fuel spillage. Allow machine to cool before storing.
- Stop and inspect the equipment if you strike an object. Repair, if necessary, before restarting.
- Never make adjustments or repairs with the engine running.
- Grass bagger components are subject to wear, damage, and deterioration, which could expose moving parts or allow objects to be thrown. Frequently check components and replace with manufacturer's recommended parts, when necessary.
- Mower blades are sharp and can cut. Wrap the blade(s) or wear gloves, and use extra caution when servicing them.
- Check brake operation frequently. Adjust and service as shown in the Operator's manual.

SAFETY RULES



SAFE OPERATION PRACTICES FOR RIDE-ON MOWERS



- **NEVER allow children to operate the machine.**
- Be sure the area is clear of other people before mowing. Stop machine if anyone enters the area.
- Never carry passengers or children even with the blades off.
- Do not drive in reverse unless absolutely necessary. Always look down and behind before and while backing.
- Never carry children. They may fall off and be seriously injured or interfere with safe machine operation.
- Keep children out of the mowing area and under the watchful care of another responsible adult.
- Be alert and turn machine off if children enter the area.
- Before and when backing, look behind and down for small children.
- Mow up and down slopes (10° Max), not across.
- Remove obstacles such as rocks, tree limbs, etc.
- Watch for holes, ruts, or bumps. Uneven terrain could overturn the machine. Tall grass can hide obstacles.
- Use a slow speed while on slope or hill.
- Avoid starting or stopping on a slope. If tires lose traction, disengage the blades and proceed slowly straight down the slope.
- If machine stops while going uphill, disengage blades, shift into reverse and back down slowly.
- Do not turn on slopes unless necessary, and then, turn slowly and gradually downhill, if possible.



CAUTION

Look for this symbol to point out important safety precautions. It means **CAUTION! BECOME ALERT! YOUR SAFETY IS INVOLVED.**



CAUTION

In order to prevent accidental starting when setting up, transporting, adjusting or making repairs, always disconnect spark plug wire and place wire where it cannot contact spark plug.



WARNING

DO NOT tow any trailers, etc. with this mower. They may jackknife or over turn causing damage to the mower and possibly serious injury to the operator.



WARNING

Engine exhaust, some of its constituents, and certain vehicle components contain or emit chemicals known to the State of California to cause cancer and birth defects or other reproductive harm.



WARNING

Battery posts, terminals and related accessories contain lead and lead compounds, chemicals known to the State of California to cause cancer and birth defects or other reproductive harm. Wash hands after handling.

UNPACKING INSTRUCTIONS

- Remove all parts and packing materials from both cartons.
- Check carton contents against list. Be sure all parts are there.

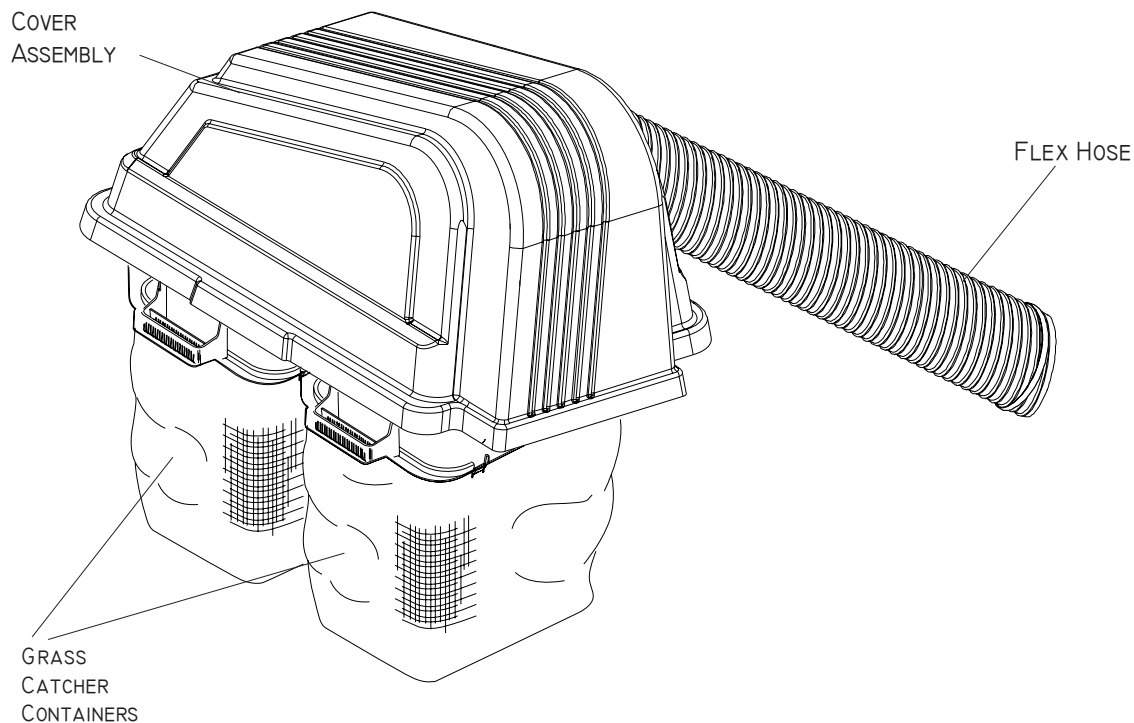
CARTON 1 CONTENTS

- | | |
|-----------------------------|--------------------|
| 1 - Upper Chute | 1 - Owner's Manual |
| 1 - Flex Hose | 1 - Hanger Bracket |
| 1 - Bagger Support | 1 - Weight Kit |
| 2 - High Lift Blades | 1 - Hose Clamp |
| 2 - Support Straps | 1 - Cast Weight |
| 1 - Weight Box | 1 - Baffle |
| 1 - Discharge Adapter | 1 - Decal |
| 1 - Discharge Mount Bracket | |

PARTS IDENTIFICATION

CARTON 2 CONTENTS

- | | |
|--------------------|-------------------------|
| 1 - Cover Assembly | 2 - Soft Bag Containers |
|--------------------|-------------------------|



NOTE: When right hand (R.H.) and left hand (L.H.) are mentioned in this manual, it means when you are seated on the mower in the operator's position.



CAUTION

BEFORE ASSEMBLING GRASS BAGGER TO MOWER:

- Set parking brake.
- Place motion control levers in "NEUTRAL" position.
- Turn ignition key "OFF" and remove key.
- Make sure the blades and all moving parts have completely stopped.
- Disconnect spark plug and place wire where it cannot come in contact with plug.

ASSEMBLY

1 CHANGING BLADES



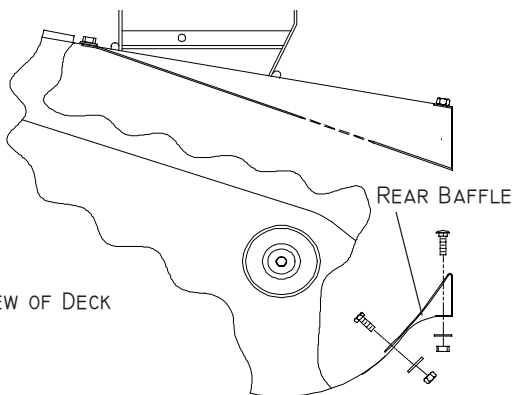
WARNING!

Blades are sharp. Protect your hands with gloves and/or wrap blades with a heavy cloth when handling.

For the collection system to operate properly you will need to replace the cutting blades on your unit with the high lift blades in the kit.

1. Remove mower deck from machine. Refer to Operator's Manual, if necessary.
2. Remove standard mower blades from deck and install high lift blades provided to mower deck. Individual preferences may vary, depending on mowing conditions and on the type and heaviness of grass to be bagged.

NOTE: There are two different types of high lift blades with the grass catcher. The blade with highest lift should be put on hub nearest the discharge opening. The blade with the lower lift should be put on the trim side hub.

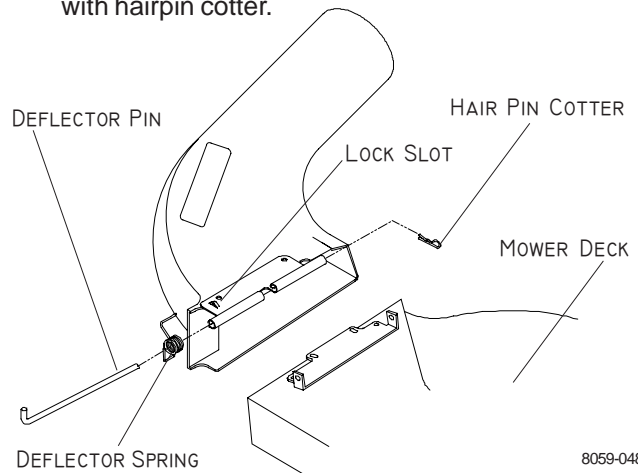


TOP VIEW OF DECK

3. Install rear baffle by aligning with holes at rear of discharge chute. From inside deck, install $\frac{1}{4}$ -20 x $\frac{3}{4}$ " bolt through slotted hole in baffle and extend through deck wall. Attach $\frac{1}{4}$ washer and $\frac{1}{4}$ -20 nyloc nut. Install $\frac{5}{16}$ -18 x $\frac{3}{4}$ " carriage bolt in square hole in the same manner and attach $\frac{5}{16}$ washer and $\frac{5}{16}$ -18 nyloc nut. Lift baffle to top of slot and tighten hardware.
4. Spin mower blade several times to check for sufficient clearance. CONTACT BETWEEN BLADE AND MULCHER PARTS MAY RESULT IN SERIOUS INJURY.

2 DISCHARGE ADAPTER

1. Reinstall deck to machine. Refer to Operator's Manual, if necessary.
2. Remove grass deflector from mower deck by pulling hairpin cotter and deflector pin.
3. Position discharge adapter assembly on deck. Run deflector pin through the deflector spring and the mounting brackets on the deflector and mower deck. Slip spring end through lock slot on the deflector mounting bracket. Secure deflector pin with hairpin cotter.

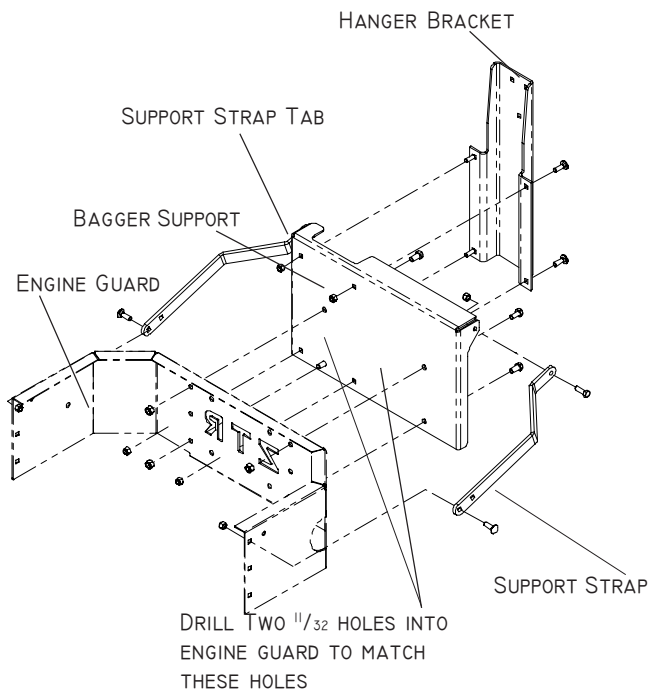


8059-048

ASSEMBLY

3 BAGGER SUPPORT ASSEMBLY

1. Attach bagger support to engine guard using four $\frac{3}{8}$ -16 x $\frac{3}{4}$ bolts and four $\frac{3}{8}$ -16 nyloc nuts.
2. Using bagger support as a template, drill two $\frac{11}{32}$ holes through the engine guard toward the bottom. (See illustration)
3. Attach hanger bracket to bagger support with four $\frac{5}{16}$ -18 x 1 carriage bolts and four $\frac{5}{16}$ nyloc nuts. (See illustration)
4. Remove top side bolts on the engine guard. Attach support straps and engine guard to frame using two $\frac{5}{16}$ -18 x 1 carriage bolts and two $\frac{5}{16}$ -18 nyloc nuts. (See illustration) Make sure support strap tabs are facing toward the rear. Attach tab end of support straps to bagger support using two $\frac{5}{16}$ -18 x 1 bolts and two $\frac{5}{16}$ -18 nyloc nuts.



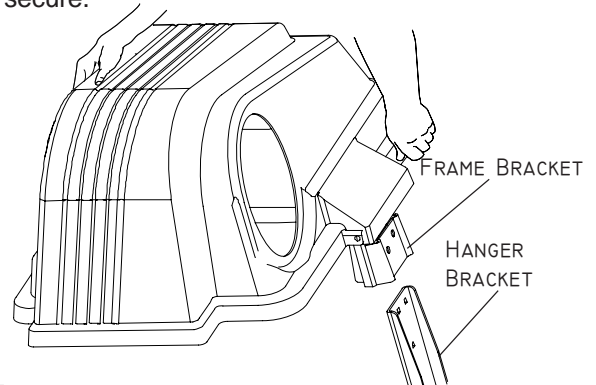
WARNING

DO NOT operate mower unless container is properly installed. Container is subject to wear and deterioration, check containers frequently, replace when cracked or damaged. Use only a recommended replacement container.

4 MOUNTING COVER ASSEMBLY TO SUPPORT ASSEMBLY

NOTE: For ease of assembly, you may wish assistance from another person for mounting the cover assembly to mower.

1. Position cover assembly on ground behind mower.
2. Lift and rotate cover to align the cover bracket with hanger bracket and slide the cover down until secure.

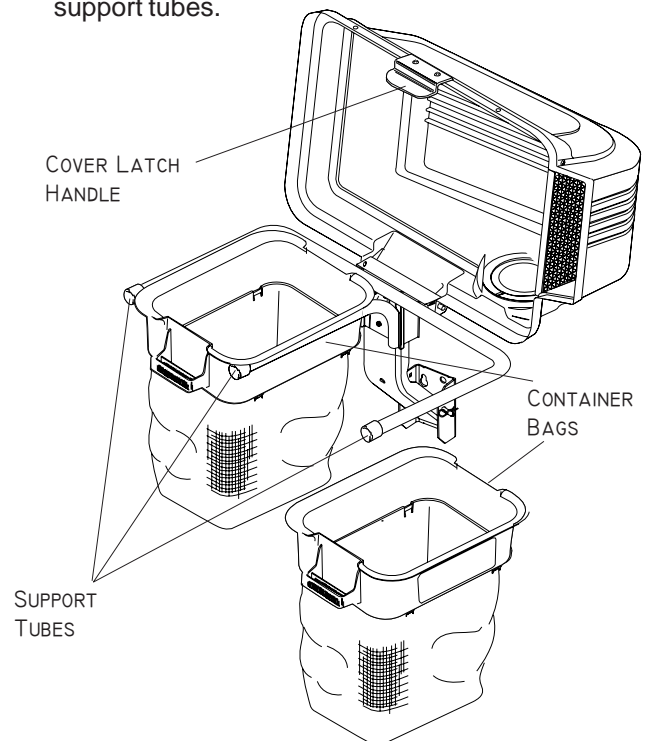


5 CONTAINER MOUNTING

1. Install container, centering between support tubes.

NOTE: One container should always overlap the other container at supports.

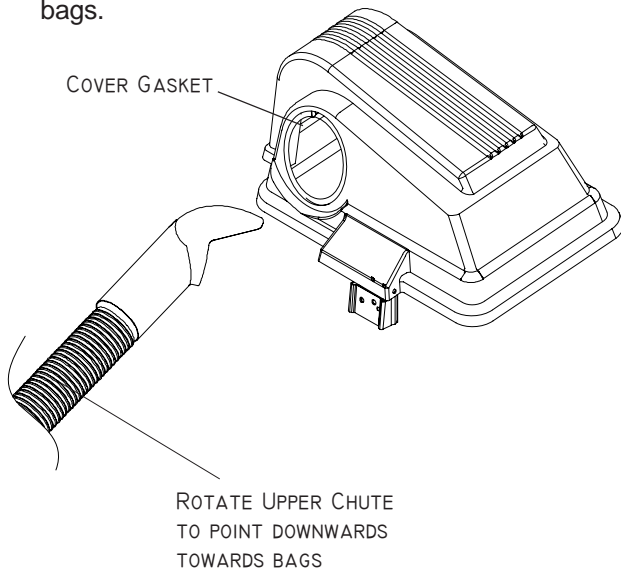
2. Close cover and lock latch handles over center support tubes.



ASSEMBLY

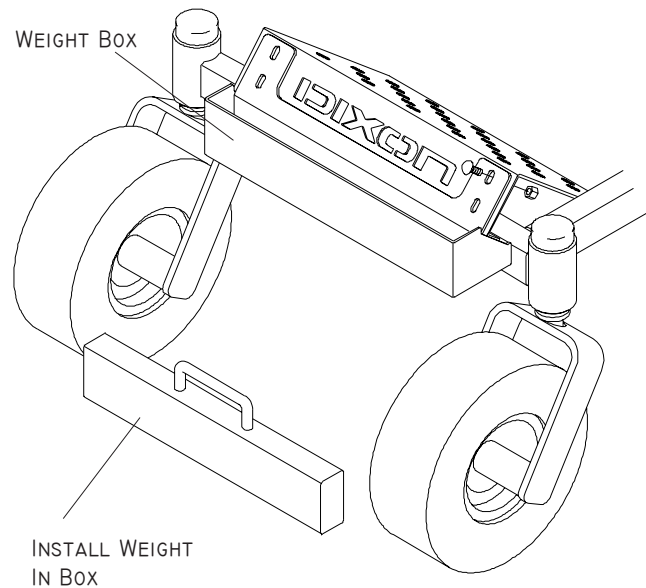
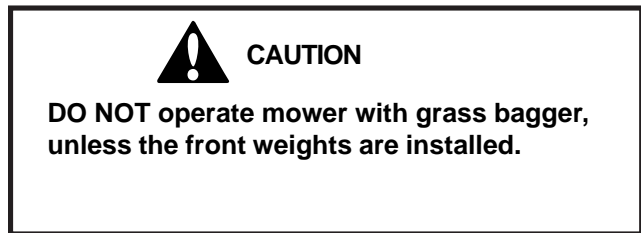
6 UPPER CHUTE

1. Attached flex tube to blower and secure with the hose clamp.
2. Slide opposite flex hose end into upper chute.
3. Push upper chute through the gasketed opening in the cover assembly.
4. Rotate flex tube and upper chute so that the chute opening is downwards toward the container bags.



7 FRONT WEIGHTS

1. Center the weight box on the front face of foot plate, as illustrated. Use the holes in weight box as a template to mark and drill four $1\frac{1}{32}$ " diameter holes in foot plate.
2. Attach the weight box to foot plate with four $\frac{5}{16}$ -18 x $\frac{1}{2}$ " carriage bolts and $\frac{5}{16}$ " nyloc nuts.
3. Install weight in weight box.



OPERATION

TIPS FOR IMPROVED BAGGING OPERATION

Follow the mower operation instructions in your mower operator's manual.

When operating your grass bagger on a lawn where grass and leaf bagging equipment has not been used, you are picking up thatch and debris that has accumulated for long periods of time. The amount collected and the total time of operation may be greater than you will experience with regular use of your grass bagger.

- Always run throttle at full speed when bagging.
- Select a speed low enough to give good mower cutting performance, good quality cut and good bagging performance.

NOTE: It may be necessary to overlap width of cut to suit your conditions.

- If grass is extremely tall, it should be mowed twice. The first time relatively high, the second time to desired height.
 - Use left hand side of mower for trimming.
 - Plastic trash bags (3.0 mil, 30 gallon) can be inserted inside grass bagger containers for ease of debris disposal. To remove the plastic trash bags when full:
 - a. Disengage blades, shift into neutral, engage the parking brake and stop the engine.
 - b. Unlatch and raise cover.
 - c. Remove one container at a time by grasping container handles and pulling toward the rear, off of the tube rails.
 - d. With the container resting on the ground, close and secure the top of the plastic lawn bag.
 - e. Tip the container on its side and slide the filled bag from the container.
 - f. Install a new plastic lawn bag with the edges of the bag draped over upper lip of the Container (for replacement bags refer to REPLACEMENT PARTS).
 - g. Repeat for other containers.
 - h. Reinstall containers making sure right container overlaps left container at center supports.
 - i. Close cover and secure latches over center support tubes.
- Avoid cutting wet grass or in the morning while the dew is still heavy. Grass clippings collected under these conditions tend to be sticky and adhere to the walls of the flow path causing clogging.
 - If the grass bagger fails to pick up cut grass or leaves, it is an indication that clogging has occurred in the system or that the grass bagger containers are full.
 - a. Disengage blades, place motion control levers in neutral position, engage parking brake and stop engine.
 - Unlatch and raise cover.
 - Slide out containers and dispose of clippings.
 - Replace containers, close cover, and latch.
 - b. Check for clogging.
 - Remove all debris in chute.
 - Reassemble chutes.



CAUTION

- **DO NOT operate mower with grass bagger partially installed.**
- **Disengage blades and stop engine before leaving mower seat to empty containers, unclogging chutes, etc.**
- **Close cover before starting.**
- **Disengage mower blades when crossing driveways or gravel surfaces and other areas where thrown objects could be a hazard.**
- **DO NOT attempt to vacuum up cans or other potentially hazardous projectiles.**

CUSTOMER RESPONSIBILITIES

GENERAL RECOMMENDATIONS

Always observe safety rules when performing any maintenance.

- Before each use check for loose fasteners.
- Clean unit thoroughly after each use.

BLADE CARE

For best results mower blades must be kept sharp. Replace bent or damaged blades.

- See BLADE CARE instructions in your mower operator's manual.

STORAGE

When grass bagger is to be stored for a period of time, clean it thoroughly, remove all dirt, grass, leaves, etc. Store in a clean, dry place.



CAUTION

BEFORE PERFORMING ANY MAINTENANCE, SERVICE OR ADJUSTMENTS:

- **Set parking brake.**
- **Place motion control levers in "NEUTRAL" position.**
- **Place clutch control in "DISENGAGED" position.**
- **Turn ignition key to "OFF" position.**
- **Make sure blades and all moving parts have completely stopped.**
- **Disconnect spark plug wire(s) from spark plug(s) and place wire where it cannot come in contact with plug.**



CAUTION

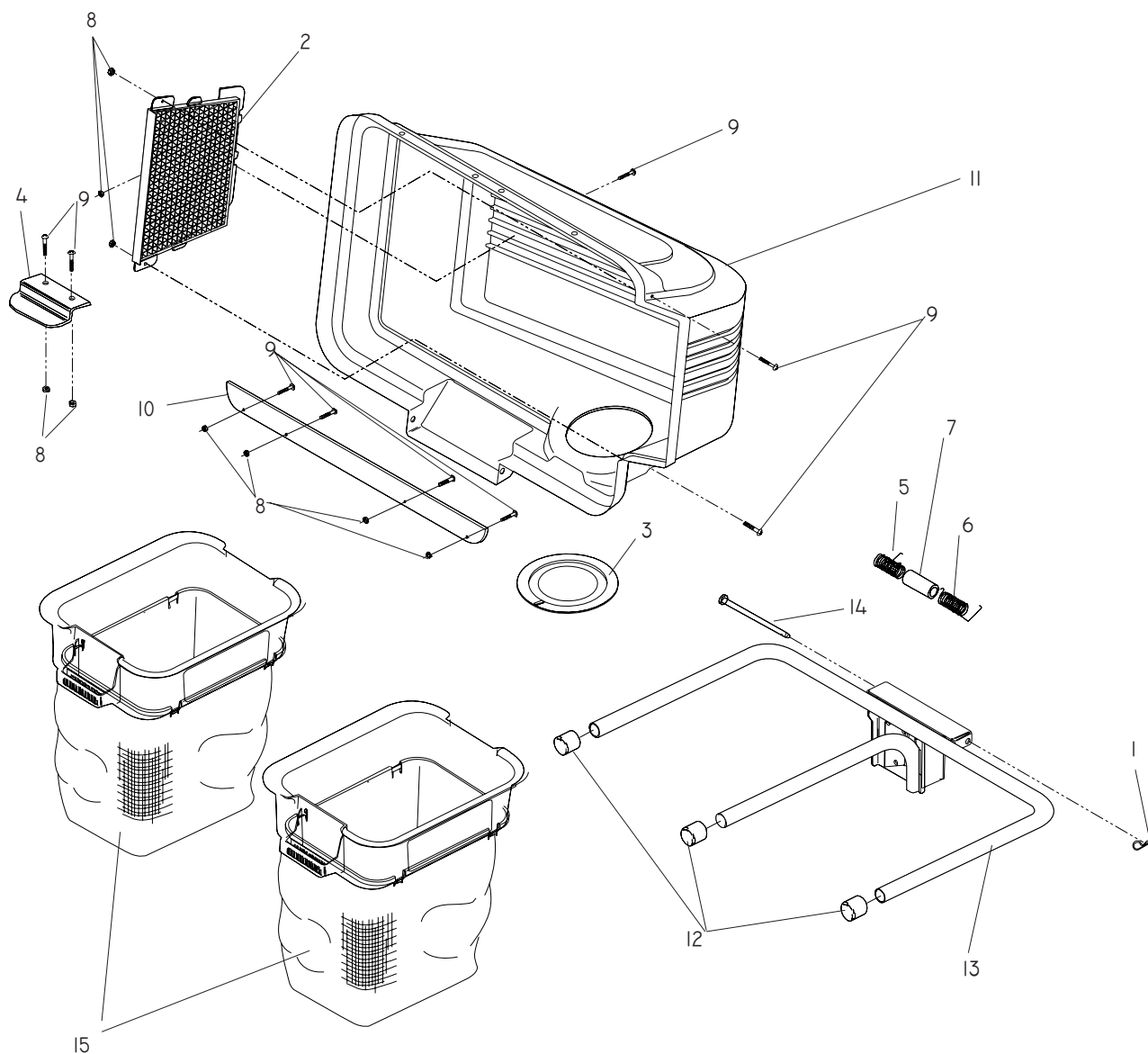
Do not leave grass in bagger containers. Empty containers after each use and before storing. Failure to do so may result in spontaneous combustion which could develop into a fire.



CAUTION

Grass bagger components are subject to wear, damage and deterioration, which could expose moving parts or allow objects to be thrown. Frequently check components and replace with manufacturer's recommended parts, when necessary.

PARTS



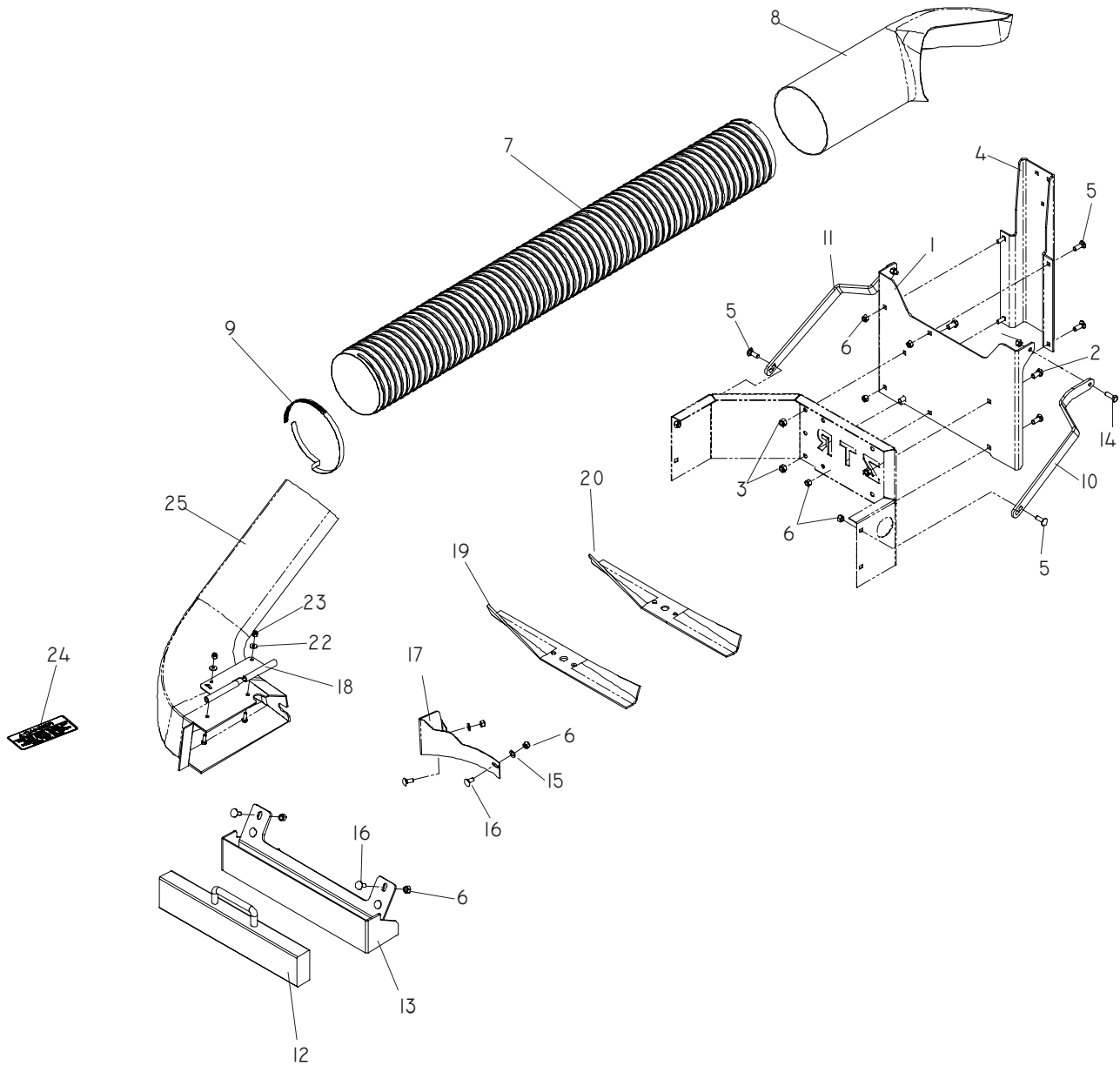
ITEM	P/N	QTY.	DESCRIPTION
------	-----	------	-------------

1	.. 532 124670 1	... RETAINER SPRING
2	.. 532 127533 1	... SCREEN, COVER
3	.. 539 108100 1	... GASKET, COVER
4	.. 532 130895 1	... LATCH. HANDLE, COVER
5	.. 532 132796 1	... SPRING COVER, LT
6	.. 532 132983 1	... SPRING COVER, RT
7	.. 532 133235 1	... SPACER, COVER
8	.. 539 976977 8	... NUT, 10-24 HEX W/NYLOC

ITEM	P/N	QTY.	DESCRIPTION
------	-----	------	-------------

9	.. 539 991034 8	... 10-24 x 5/8 WASHER HD ZD
10	.. 532 414173 1	... STRIP, REINFORCEMENT
11	.. 532 160274 1	... COVER TOP
12	.. 532 174083 3	... CAP PLUG TUBING END
13	.. 532 414172 1	... FRAME ASSEMBLY, 2-BIN
14	.. 532 192786 1	... PIN, HINGE PIVOT
15	.. 532 400226 2	... CONTAINER BAG SOFT

PARTS



PARTS

ITEM	P/N	QTY.	DESCRIPTION	ITEM	P/N	QTY.	DESCRIPTION
1	.. 539 131279 1	SUPPORT - BAGGER	14	.. 539 990209 2	HCS ⁵ / ₁₆ -18 x 1 GR 5 ZD
2	.. 539 990134 4	HCS ³ / ₈ -16 x ³ / ₄ GR 5 ZD	15	.. 539 990188 2	WASHER, ⁵ / ₁₆ , SAE
3	.. 539 976979 4	NUT ³ / ₈ -16 HEX NYLOC ZD	16	.. 539 990316 6	RHSNB, ⁵ / ₁₆ -18 X ³ / ₄ , GR5
4	.. 539 131277 1	BRACKET, HANGER	17	.. 539 115243 1	BAFFLE
5	.. 539 990208 6	RRSNB ⁵ / ₁₆ -18 X 1 GR 5 ZD	18	.. 539 116715 1	DISCHARGE MOUNT BRCKT
6	.. 539 990717	.. 14	NUT ⁵ / ₁₆ -18 HEX NYLOC ZD	19	.. 539 115244 1	HI LIFT BLADE, 36", RIGHT
7	.. 539 115938 1	FLEX HOSE, 50"	20	.. 539 115245 1	HI LIFT BLADE, 36", LEFT
8	.. 539 131190 1	UPPER CHUTE	21	.. 539 990580 2	HCS, ¹ / ₄ -20 X ³ / ₄ , GR5
9	.. 539 115719 1	HOSE CLAMP	22	.. 539 990055 2	WASHER, ¹ / ₄ , SAE
10	.. 539 131282 1	SUPPORT STRAP, LEFT	23	.. 539 976978 2	NUT, ¹ / ₄ -20, NYLOC
11	.. 539 131284 1	SUPPORT STRAP, RIGHT	24	.. 539 115401 1	DECAL, G.C. WARNING
12	.. 539 121399 1	CAST WEIGHT	25	.. 539 116714 1	DISCHARGE ADAPTER
13	.. 539 131343 1	WEIGHT BOX				

Free Manuals Download Website

<http://myh66.com>

<http://usermanuals.us>

<http://www.somanuals.com>

<http://www.4manuals.cc>

<http://www.manual-lib.com>

<http://www.404manual.com>

<http://www.luxmanual.com>

<http://aubethermostatmanual.com>

Golf course search by state

<http://golfingnear.com>

Email search by domain

<http://emailbydomain.com>

Auto manuals search

<http://auto.somanuals.com>

TV manuals search

<http://tv.somanuals.com>