

IMPORTANT - READ OPERATOR'S MANUAL BEFORE OPERATION.

## Seat Adjustment

Loosen Bolts on sliding brackets under each side of seat, slide seat forward or rearward to desired position. Re-tighten bolts. Do not operate mower with bracket bolts in a loose condition.

## Mower Blade Operation

To start mower blades, move lever on floor slowly to "ENGAGE" position. To stop mower blades, move lever on floor slowly to "DISENGAGE" position.

## Body Removal

1. Disconnect throttle cable from engine.
2. Disconnect the rear wiring loom (P/N 4109) from the body by lightly squeezing the Econo-Seal plug. This is located at the left rear of the body.
3. Note: Loosen bolts that hold body switch (P/N 4079) and slide switch away from engaging rod. Tighten one bolt just enough to hold switch in this position until body is reassembled.
4. Remove 4 control lever bolts and remove upper control levers (P/N 1501L-1501R).
5. Remove engaging handle (P/N 6089) by removing bolt and nut under handle.
6. Remove the 2 attach nuts on floor of body and 2 sheet metal screws at the rear of body.
7. Place height adjustment lever in vertical position, engage parking brake and carefully lift body up and off chassis.
8. Reverse the above procedure for assembly.

## Safety Checks

With the mower deck in the engaged position slide the body switch (P/N 4079) toward the engaging rod (P/N 6087-1) until the switch leaf just makes contact with the switch button. Tighten both bolts in switch bracket.

With mower deck engaged, attempt to start engine in all cutting height positions.

If engine starts in any cutting height position, re-adjust the switch. Disengage the mower deck and start the engine in each cutting height position. If engine fails to start in any cutting height position, re-adjust switch.

With operator in normal mowing/position, engage mower deck and remove weight from seat. The engine should stop. Repeat this procedure in each cutting height position. If engine does not stop when operator rises from seat in each cutting height position, return to an authorized Dixon dealer for adjustment & repairs.

## Parking Brake Adjustment

Remove body as described above. Tighten nut on brake rod (P/N2533) (Located in front of the transaxle on each side.), just enough to prevent brake from slipping when engaged. CAUTION: Over tightening may cause premature wear on brake band (P/N 5085).

## Mower Drive Belt Adjustment

Belt tension for mower drive belt (P/N 2412) is adjusted by loosening nut on the connecting arm assembly (P/N 2171-A) and turning bolt to achieve desired tension. Re-tighten nut. Tension should be checked with belt in engaged position.

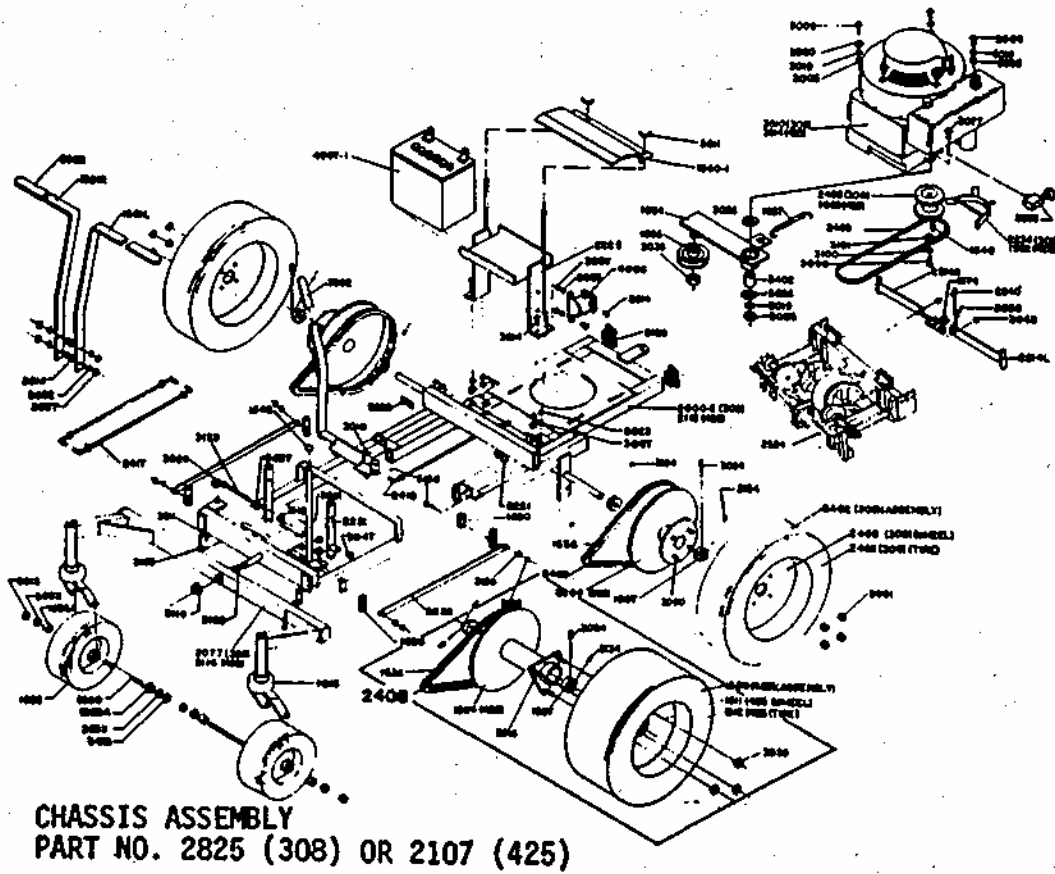
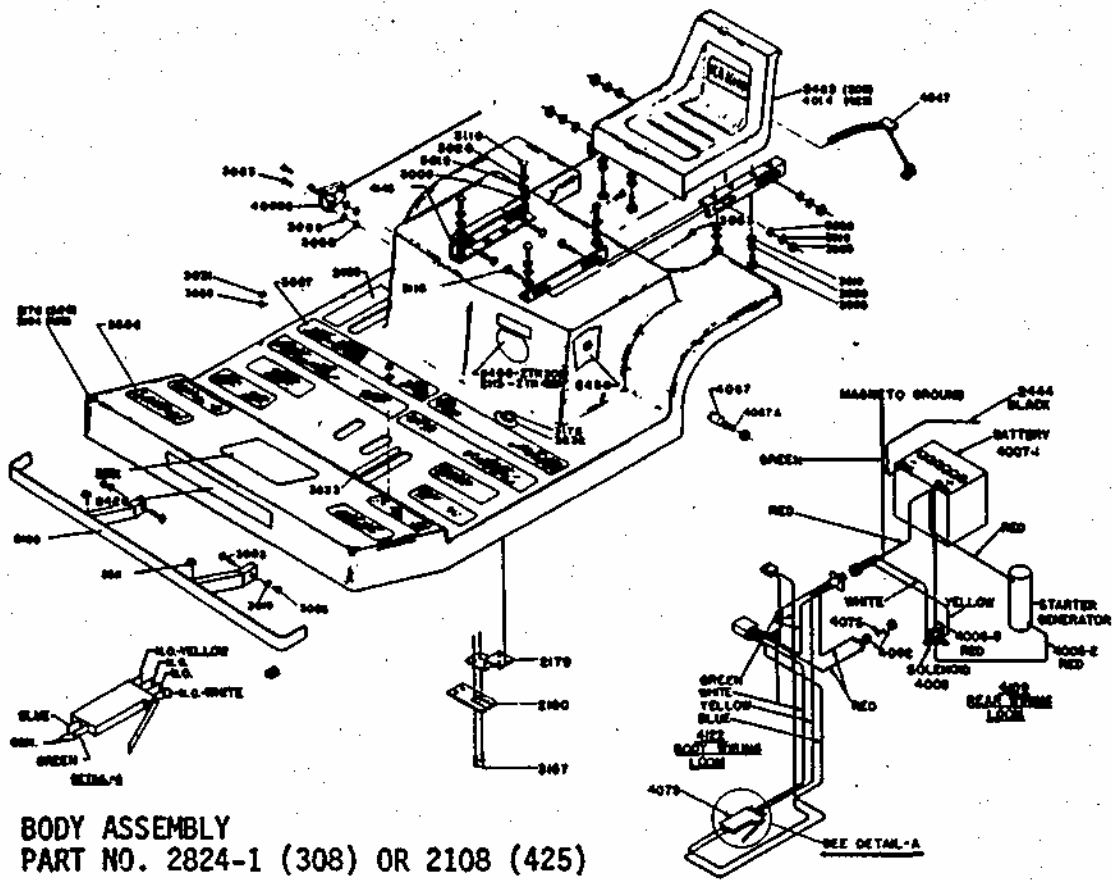
## Removing Mower Deck

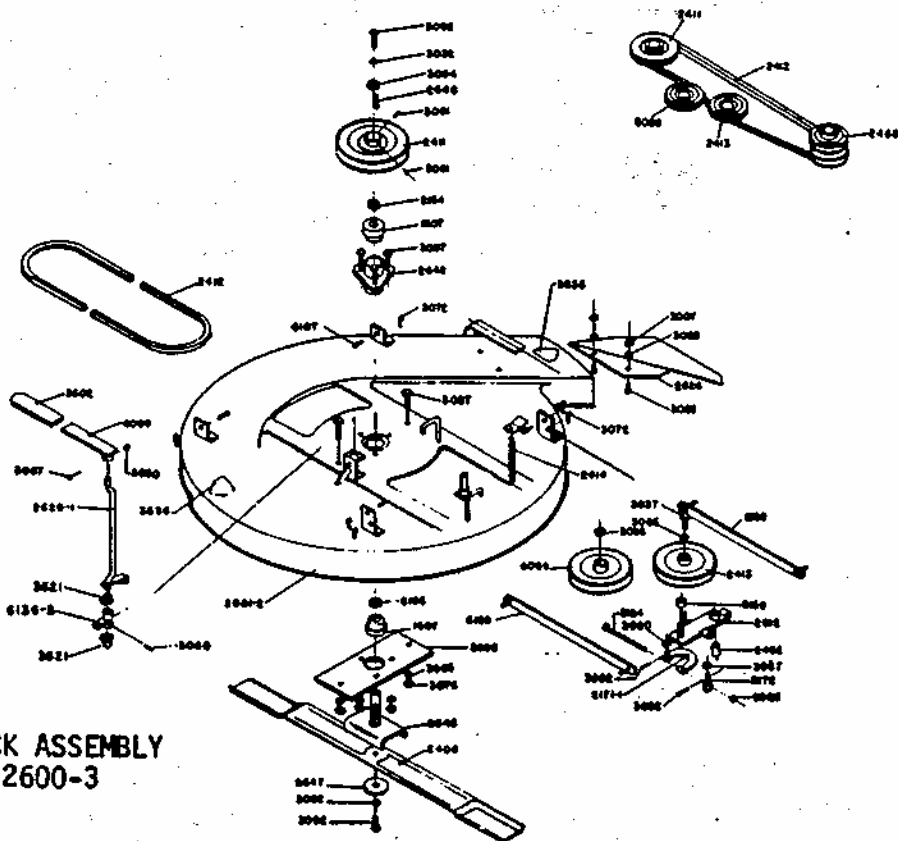
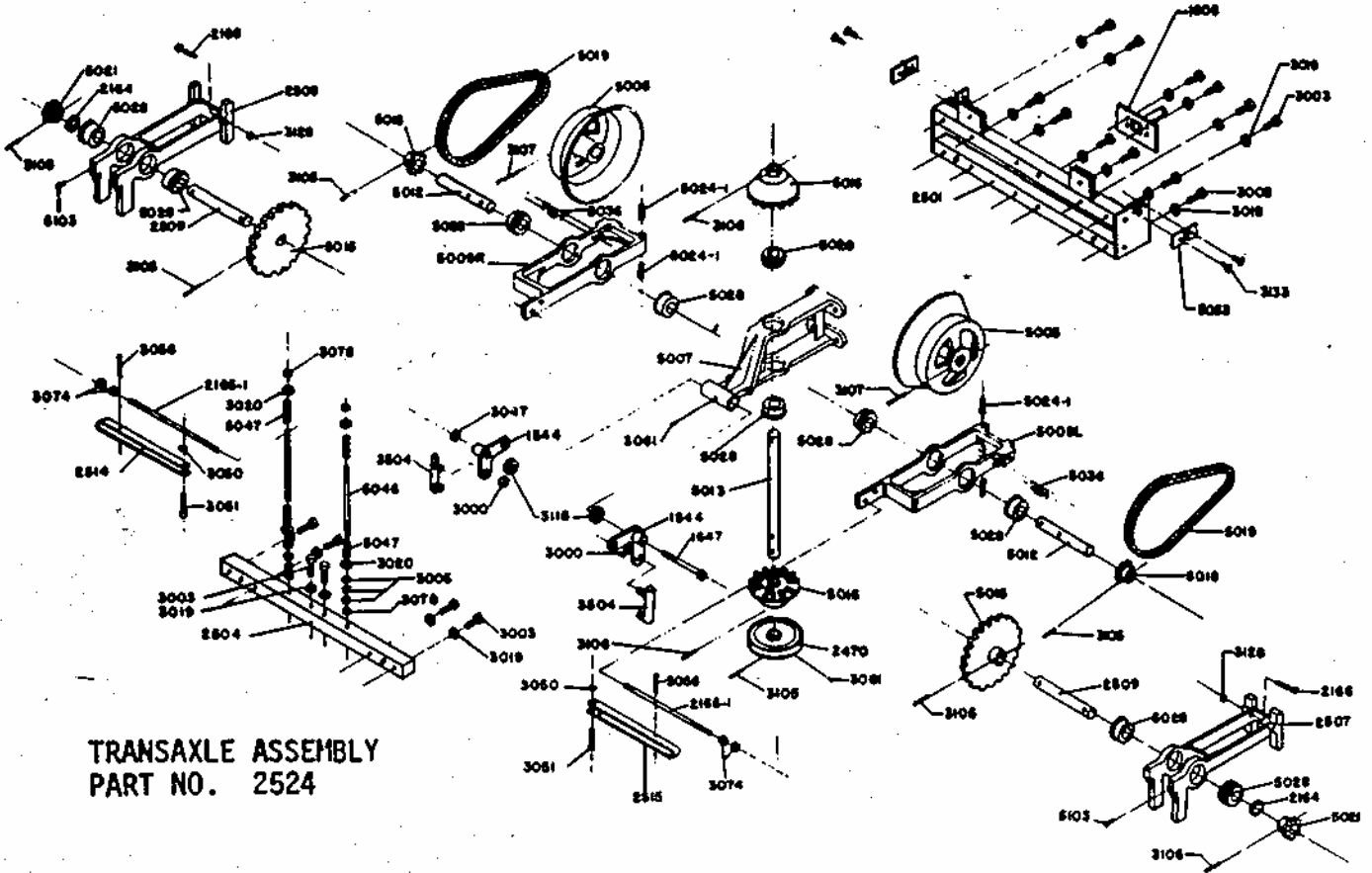
1. Remove engaging handle (P/N 6089) by removing bolt and nut under handle.
2. Loosen belt keeper (P/N 2234) located under engine by loosening 2 rear engine mount bolts to allow mower deck drive belt to come free of rear pulley.

Re-tighten belt keeper,

(continued on back)







ART #	NAME	PART #	NAME	PART #	NAME
1015	Caster Weldment	2444	Battery Ground Cable	4122	Body Wiring Loom
1020	Caster Axle	2449	Caster Nipple	4124	Solenoid
1022	Caster Wheel & Tire	2452	Engaging Idler Bshg.	4148	Seat Angle
1022A	Caster Wheel Bearing	2456	Model Decal-ZTR 308	5005	Discup
I030	Upper Lift Link-Rear	2460	Parking Brake Decal	5007	Cone Frame
I039	Lower Lift Link	2463	Seat	5009R	Cradle
1108	Tire - Front Wheel	2465	Rear Tire(16x6.5-8)	5009L	Cradle
1109	Inner Tube - Front Wheel	2466	Rear Rim (16x6.5-8)	5012	Cradle Shaft
1501R	Upper Control Lever	2468	Double Engine Pulley	5013	Cone Frame Shaft
ISOIL	Upper Control Lever	2469	V-Belt	5015	24T Sprocket
1507	Wheel/Deck Hub Bearing	2470	Transaxle Pulley	5016	Molded Cone
1536	Chain Connecting Link	2501	Rear Tube' Weldment	5018	9T Sprocket-Narrow
1540	Engine Shaft Key	2504	Front Tube	5019	Transaxle Chain
543	Lift Knob	2507	Support L	5021	9T Sprocket-Wide
544	Bellcrank	2508	Support R	5024-1	Cradle Spring
560-1	Battery Splash Guard	2509	Support Shaft	5028	Transaxle Bearing
574	Brake Pivot Weldment	2514	Torque Rod Stiffener R	5036	Pivot Spring
606	Brake Mount Weldment	2515	Torque Rod Stiffener L	5046	Positive Neutral R
647	Control Pin	2524	Transaxle	5047	Positive Neutral S
654	Transaxle Idler Weld.	2600-3	Mower Deck Assy.	5053	Brake Arm Retainer
655	Transaxle Idler Pulley	2601-2	Mower Deck Weldment	6059	Flat Idler Pulley
657	Transaxle Idler Spring	2612	Engaging Idler Weld.	6089	Engaging Handle
2000-2	Frame Weldment	2620-1	Engaging Rod	6107	Deck Pin
2077	Walking Beam Weldment	2626	Deflector Sheet	6136-2	Engaging Cam Weld.
2100	Bumper Weldment	2640	Mower Deck Hub Assy.	6159	Stabilizer Arm Wel
2105	Bumper Pad	2641	Mower Deck Hub Sub-Assy.		
2154	Hub Pulley Spacer	2642	Mower Deck Hub		
2155	Hub Bearing Spacer	2645	Blade Shaft Weldment		
2159	Engaging Idler Spacer	2647	Blade Washer		
2164	Support Sprocket Spacer	2648	Deck Hub Key		
2165-1	Torque Rod	2668	Stiffener		
2166	Pivot Bolt	2823	Oil Drain Assy.		
2171A	Connecting Arm Assy.	3029	Front Grommet		
2171-1	Connecting Arm Weldment	3120	Nylon Shoulder Bshg.		
2172	Swivel Fitting	3123	Control Pin		
2176	Body	3129	Plastic Tube Closure		
2179	Switch Bracket-Body	3502	Hand Grip		
2180	Switch Bracket-Sw. Sect.	3504	Double Ball Joint		
2204	Wheel Hub	3507	Floor Pad -Long		
2214R	Brake Arm Weldment R	3508	Floor Pad -Short		
2214L	Brake Arm Weldment L	3511	Adhesive Bumper Pad		
2221	Transaxle Shim 16ga	3521	Engaging Cam Mount Bshg.		
2222	Transaxle Shim 22ga	3531	Decal-Operating Inst.		
2225	Battery Box Weldment	3532	Decal-Blade Drive		
2231	Lower Control Lever Assy	3533	Decal-Cutting Height		
2234	Belt Keeper	3536	Warning Label-Danger		
2237	Tie Bar Assy.	4005B	Throttle Cable		
2238	Tie Bar	4006-2	Solenoid-Starter Cable		
2240	Short Brake Rod Assy.	4006-8	Solenoid-Battery Cable		
2402	Rear Wheel & Tire	4007-1	Battery-12V		
406	30" Mower Blade	4009	Wire Clip(not shown)		
408	Drive Chain Assy.	4013	Wire Tie (not shown)		
411	Mower Deck V-Pulley	4047	Seat Switch		
412	Deck Drive Belt	4067	Ignition Switch		
413	V-Idler Pulley	4067A	Switch Key (for 4067)		
414	Engaging Idler Tension Sprg	4075	10 AMP Fuse		
417	Control Rod Assy	4079	Body Switch		
418	Long Brake Rod Assy	4092	Fuse Holder		
422	Name Decal	4109	Rear Wiring Loom		
436	Switch Decal	4115	Wiring Kit		

## Free Manuals Download Website

<http://myh66.com>

<http://usermanuals.us>

<http://www.somanuals.com>

<http://www.4manuals.cc>

<http://www.manual-lib.com>

<http://www.404manual.com>

<http://www.luxmanual.com>

<http://aubethermostatmanual.com>

Golf course search by state

<http://golfingnear.com>

Email search by domain

<http://emailbydomain.com>

Auto manuals search

<http://auto.somanuals.com>

TV manuals search

<http://tv.somanuals.com>