

TECHNICAL DATA BROCHURE- ZTR 361

IMPORTANT - READ OPERATOR'S MANUAL BEFORE OPERATING OR MAKING ADJUSTMENTS

Seat Adjustment

Loosen bolts on sliding brackets under each side of the seat, slide seat forward or backward to desired position, tighten bolts. Do not operate the mower with bracket bolts in "loose" position.

Mower Blade Operation

1. To start mower blades, pull up slightly on blade drive switch handle and move it forward to the "ON" position.
2. To stop mower blades, move switch handle to the "OFF" position.

Body Removal

1. Disconnect throttle cable from engine.
2. Disconnect wiring loom from the body by turning threaded collar on the connector in a counterclockwise direction. This connector is located at the left rear of the body.
3. Remove four control lever bolts and remove upper control levers (P/N 9079 & 9080).
4. Remove the two acorn nuts on the body floor and release latches on the rear of body near each side.
5. Place height adjustment lever in the vertical position. Carefully lift body from chassis.
6. For assembly, reverse above procedure.

Safety Checks - "IMPORTANT"

1. After reassembly of body onto chassis and while seated on the mower, attempt to start engine with mower deck engaged. The engine should not start. If the engine does start, return mower to an Authorized Dixon Dealer for adjustment or repair.
2. Disengage mower deck and start engine with the operator in a normal seated position on the mower. Engage mower deck and remove weight from the seat. The engine should stop. If the engine continues to run when the operator rises from seat, return mower to an Authorized Dixon Dealer for adjustment or repair.

Parking Brake Adjustment

1. Remove body as described above.
2. Tighten nut on brake rod (P/N 2533), located in front of the transaxle on each side, just enough to prevent brake from slipping when engaged. CAUTION: Over tightening may cause premature wear on the brake band (P/N 5085).

Mower Deck Drive Belt Adjustment

No adjustment necessary The spring loaded idler pulley maintains proper tension throughout belt life.

Removing Mower Deck

1. Remove deck drive belt by pulling spring loaded idler pulley away from belt and remove belt from electric clutch.
2. Remove the clevis pins (P/N 3072) from the L-rods at rear of deck and slide free from slots.
3. Remove the clevis pin (P/N 3072) from the lift linkage at the front of deck.
4. Remove cotter pin from shaft (P/N 1332) located at front of mower deck on slide plates welded at battery box. Slide shaft free.
5. Raise front of mower chassis and roll mower free of mower deck assembly.
6. To install deck, reverse above procedure.

Removing Mower Blade

1. Secure mower blade (P/N 1324) from turning.
2. Observe blade position when removing.
3. Remove blade bolt (P/N 3268), lock washer (P/N 3065) and blade washer (P/N 6113).
4. To reinstall, reverse above procedure.
WARNING: Sharp edges on blade can cause injury! Caution should be exercised when service is required on the blade.

P/N 8111



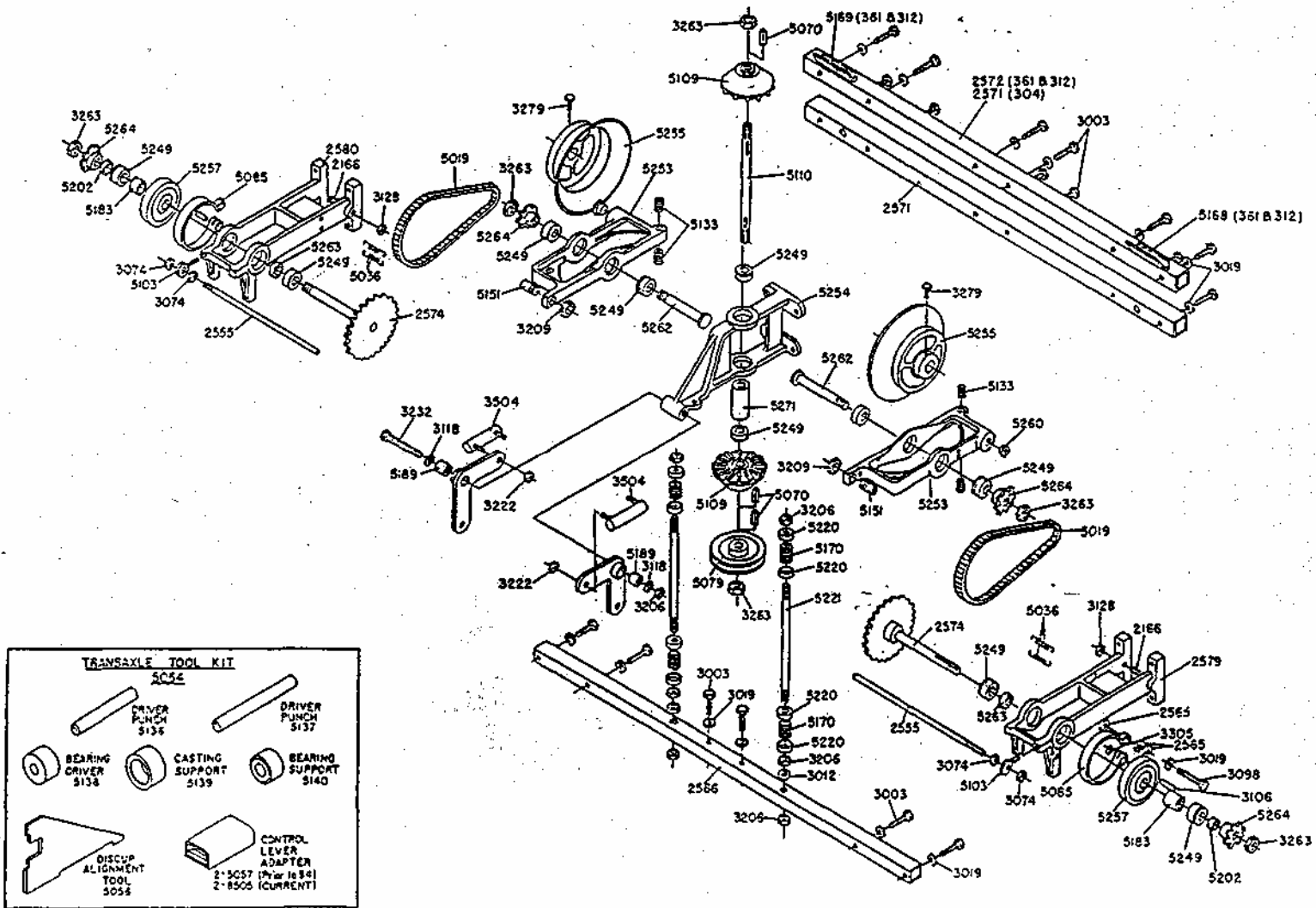
DIXON INDUSTRIES, INC.

A **Columbus** COMPANY

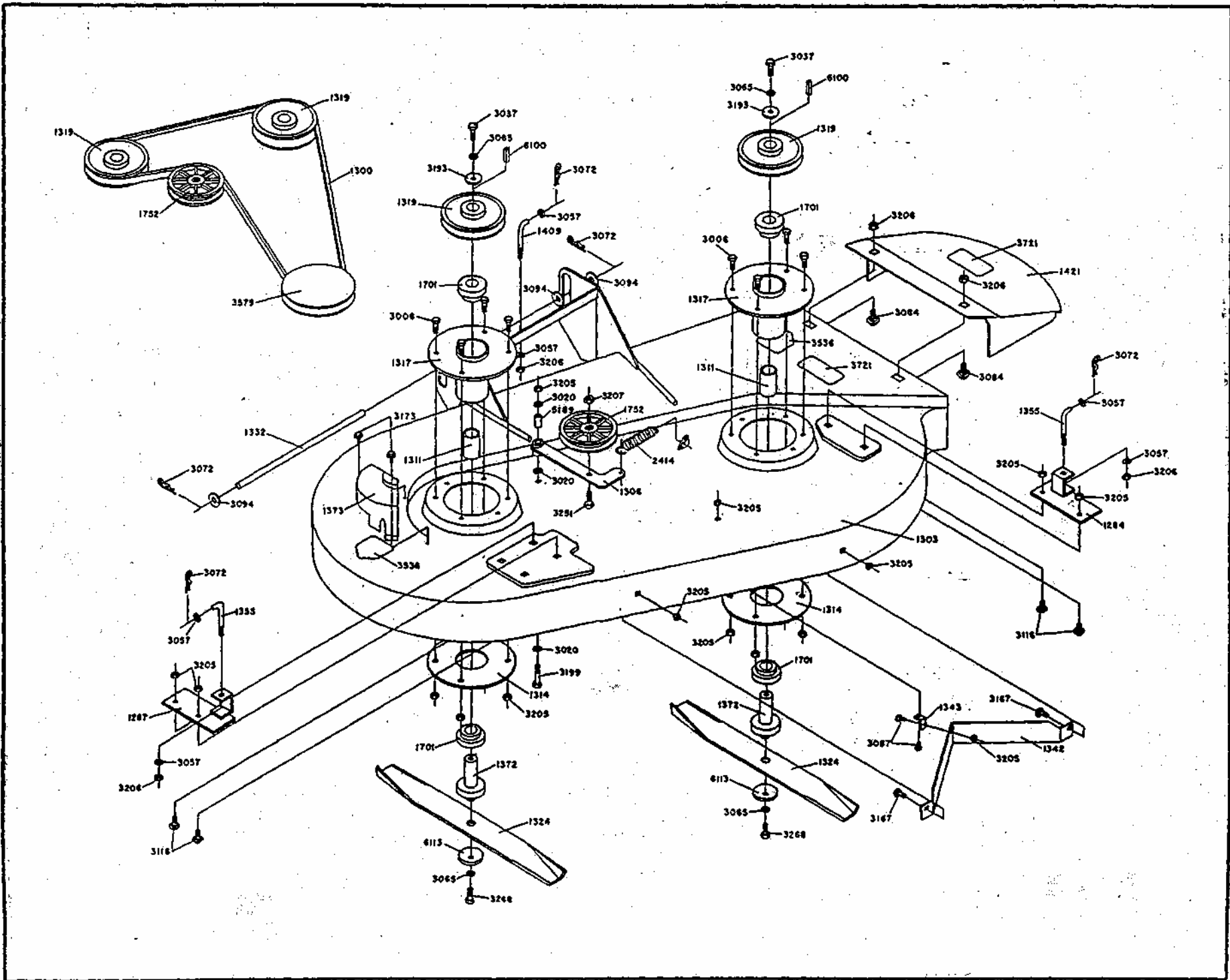
Box 1569

Coffeyville, Kansas 67337-0945 (316)251-2000

Airport Industrial Park



TRANSAXLE ASSEMBLY (MODEL ZTR 361)



MOWER DECK (MODEL 361)

Free Manuals Download Website

<http://myh66.com>

<http://usermanuals.us>

<http://www.somanuals.com>

<http://www.4manuals.cc>

<http://www.manual-lib.com>

<http://www.404manual.com>

<http://www.luxmanual.com>

<http://aubethermostatmanual.com>

Golf course search by state

<http://golfingnear.com>

Email search by domain

<http://emailbydomain.com>

Auto manuals search

<http://auto.somanuals.com>

TV manuals search

<http://tv.somanuals.com>