

IMPORTANT - READ OPERATOR'S MANUAL BEFORE OPERATION.Deluxe Seat Adjustment

Easy hand lever allows forward and back movement of seat. No bolts to loosen or tighten.

Mower Blade Operation

To start mower blades, pull out on blade drive switch handle, then lift to "ON" position.

To stop mower blades, move switch handle to "OFF" position.

Body Removal

1. Disconnect throttle cable from engine.
2. Disconnect the rear wiring loom (P/N 4191) from the body by lightly squeezing the Econo-Seal plug. This plug is located at the left rear of the body.
3. Remove 4 control lever bolts and remove upper control levers (P/N 1689 & T690)
4. Remove the 2 attach nuts on floor of body and unfasten latch located at center of body at the rear.
5. Place height adjustment lever in vertical position, engage parking brake and carefully lift body up and off chassis.
6. Reverse the above procedure for assembly.

Safety Checks

1. After reassembly, while on seat, attempt to start engine with mower deck engaged. Engine should not start. If engine does start, return to an authorized Dixon dealer for adjustment or repair.
2. Disengage the mower deck and start the engine. With operator in normal mowing position, engage mower deck and remove weight from seat. The engine should stop. If engine does not stop when operator rises from seat, return to an authorized Dixon dealer for adjustment or repair.

Parking Brake Adjustment

Remove body as described above. Adjustment points are located at rear of trans-axle on each side. Remove cotter pin from swivel fitting (P/N 2172). Turn swivel fitting on brake rod (P/N 5100) in to tighten - just enough to prevent brake from slipping when engaged.

CAUTION: Over tightening may cause premature wear on brake band (P/N 5085).

Mower Drive Belt Adjustment

No adjustment necessary, the spring-loaded idler pulley maintains proper tension throughout the belt life.

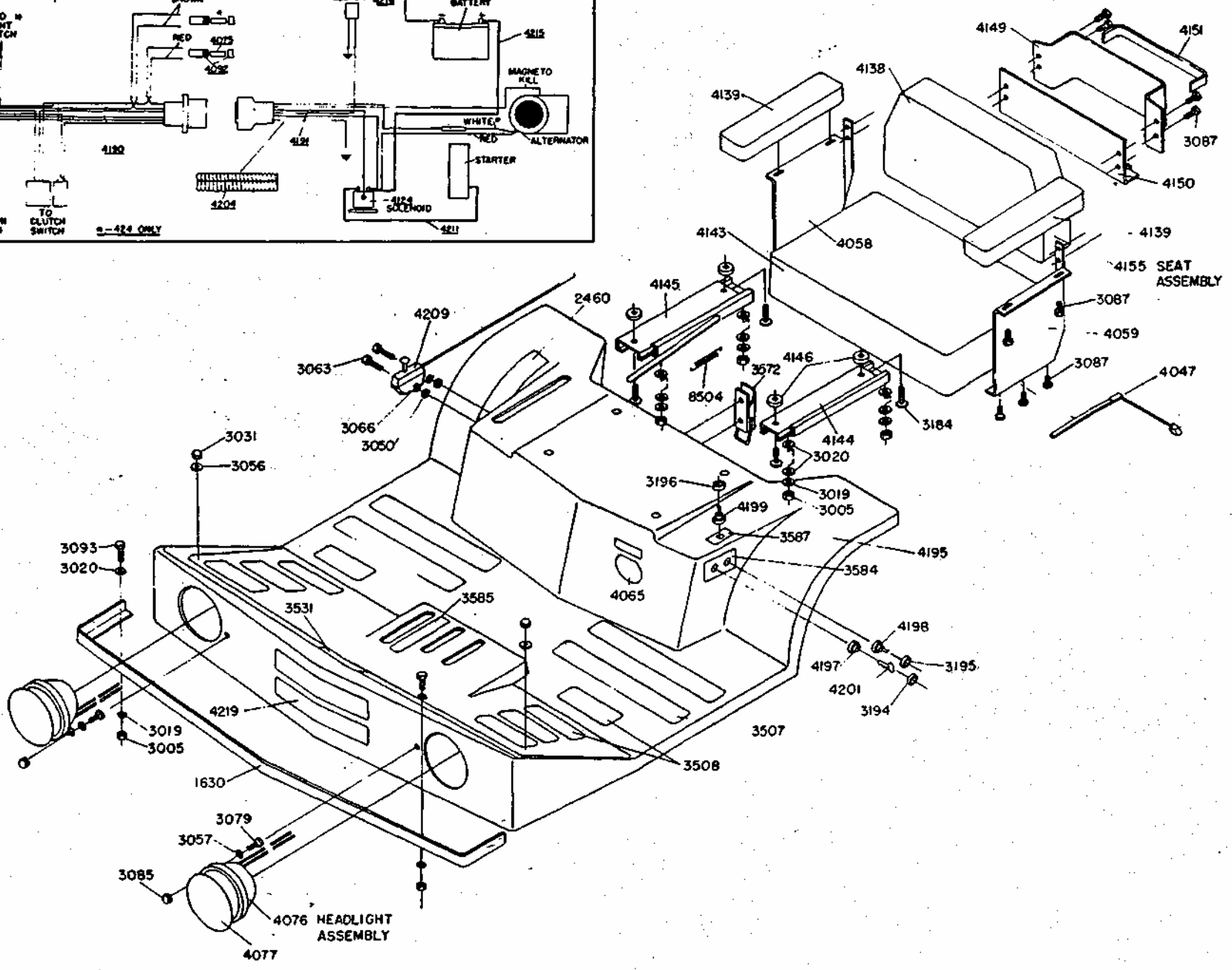
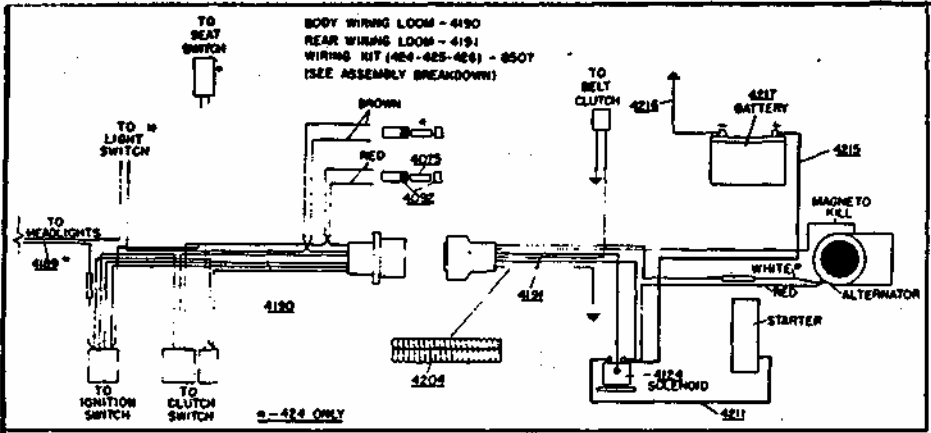
Removing Mower Deck

1. Remove mower deck drive belt (P/N 6111) by pulling idler assembly (P/N 1671) away from belt and remove belt from rear pulley.
2. Remove 4 attach pins (P/N 6107) and clips from 4 mower deck attach points and 2 stabilizer bars (P/N 6159).
3. Raise front of mower chassis and roll free of mower deck for service and/or replacement.
4. To re-install, reverse the above procedure.

Removing Mower Cutter Blade

Secure mower cutter blade (P/N 6092) from turning (observe blade position when removing) remove blade bolt from center of blade.





Free Manuals Download Website

<http://myh66.com>

<http://usermanuals.us>

<http://www.somanuals.com>

<http://www.4manuals.cc>

<http://www.manual-lib.com>

<http://www.404manual.com>

<http://www.luxmanual.com>

<http://aubethermostatmanual.com>

Golf course search by state

<http://golfingnear.com>

Email search by domain

<http://emailbydomain.com>

Auto manuals search

<http://auto.somanuals.com>

TV manuals search

<http://tv.somanuals.com>