

IMPORTANT -- READ OPERATOR'S MANUAL BEFORE OPERATING OR MAKING ADJUSTMENTS.

Deluxe Seat Adjustment

Easy hand lever action allows forward and backward movement, of seat.
No bolts to loosen or tighten.

Mower Blade Operation

1. To start mower blades, pull up slightly on blade drive switch handle and move it forward to the "ON" position.
2. To stop mower blades, move switch handle to the "OFF" position.

Body Removal

1. Disconnect throttle cable from engine.
2. Disconnect rear wiring loon from the body-by turning the threaded collar on connector in a counterclockwise direction. This plug is located at the right rear of body.
3. Remove the four control lever bolts and remove upper control levers (P/N 9079 A 9080).
4. Remove the two acorn nuts on floor of body and release latches on the rear of body near each side.
5. Place height adjustment lever in the vertical position, engage the parking brake and carefully lift body off the chassis.
6. Reverse above procedures to install body.

Safety Checks -- "Important"

1. After reassembly of body onto chassis and while seated on the mower, attempt to start the engine with mower deck engaged. The engine should not start. If engine does start, return mower to an Authorized Dixon Dealer for adjustment or repair.
2. Disengage mower deck and start engine with the operator in a normal seated position on the mower. Engage mower deck and remove weight from the seat. The engine should stop. If engine does not stop when operator rises from seat, return mower to an Authorized Dixon Dealer for adjustment or repair.

Parking Brake Adjustment

1. Remove body as described above.
2. Adjustment points are located at rear of transaxle on each side. Remove roll pins from swivel fitting (P/N 2172). Turn swivel fitting on brake rod (P/N 6100) in, to tighten. Just enough to prevent brake from slipping when engaged. 3. Reinstall roll pin.
CAUTION: Over tightening may cause premature wear, on brake band (P/N 6085).

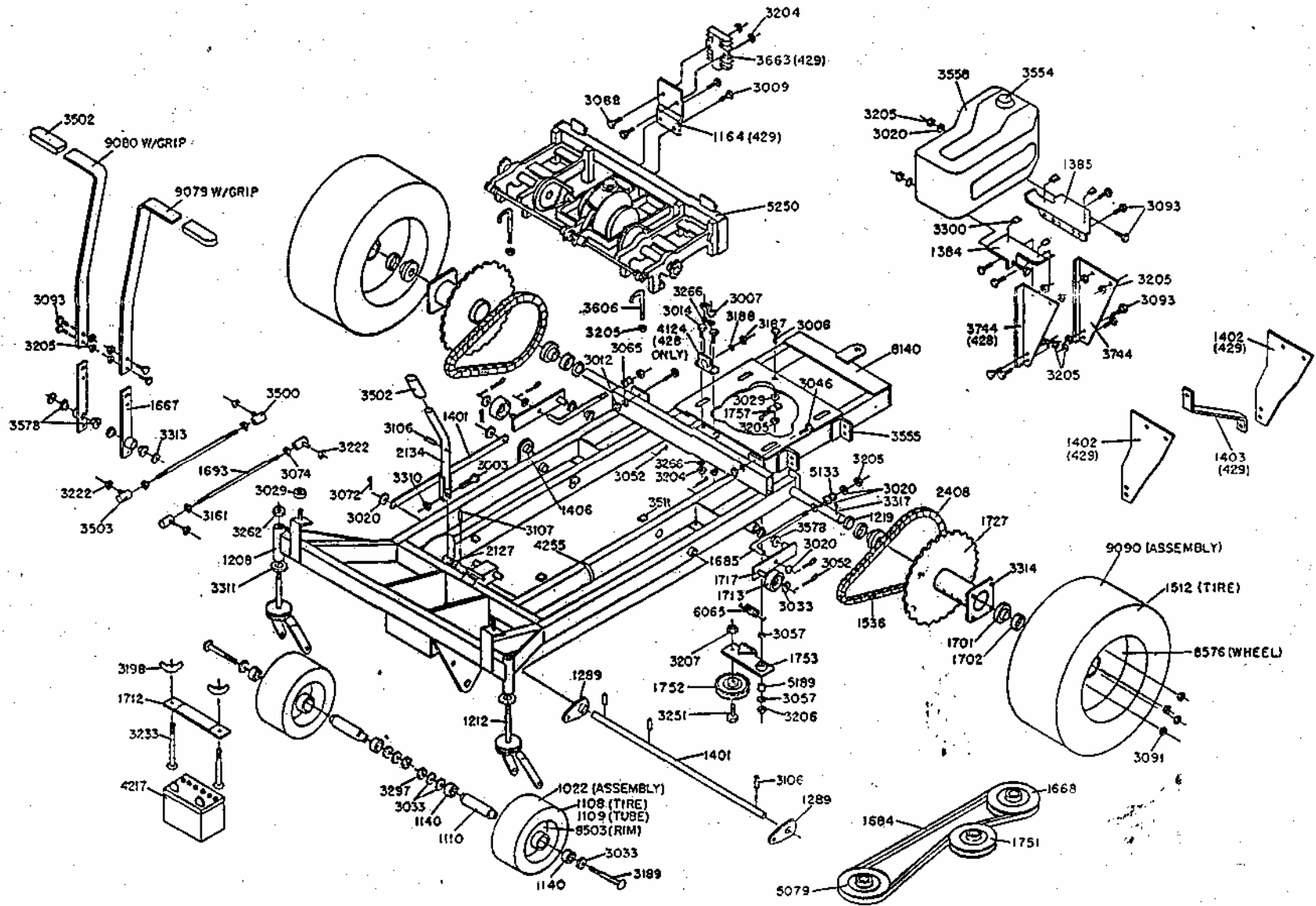
Dixon Industries, INC.

Box 1569

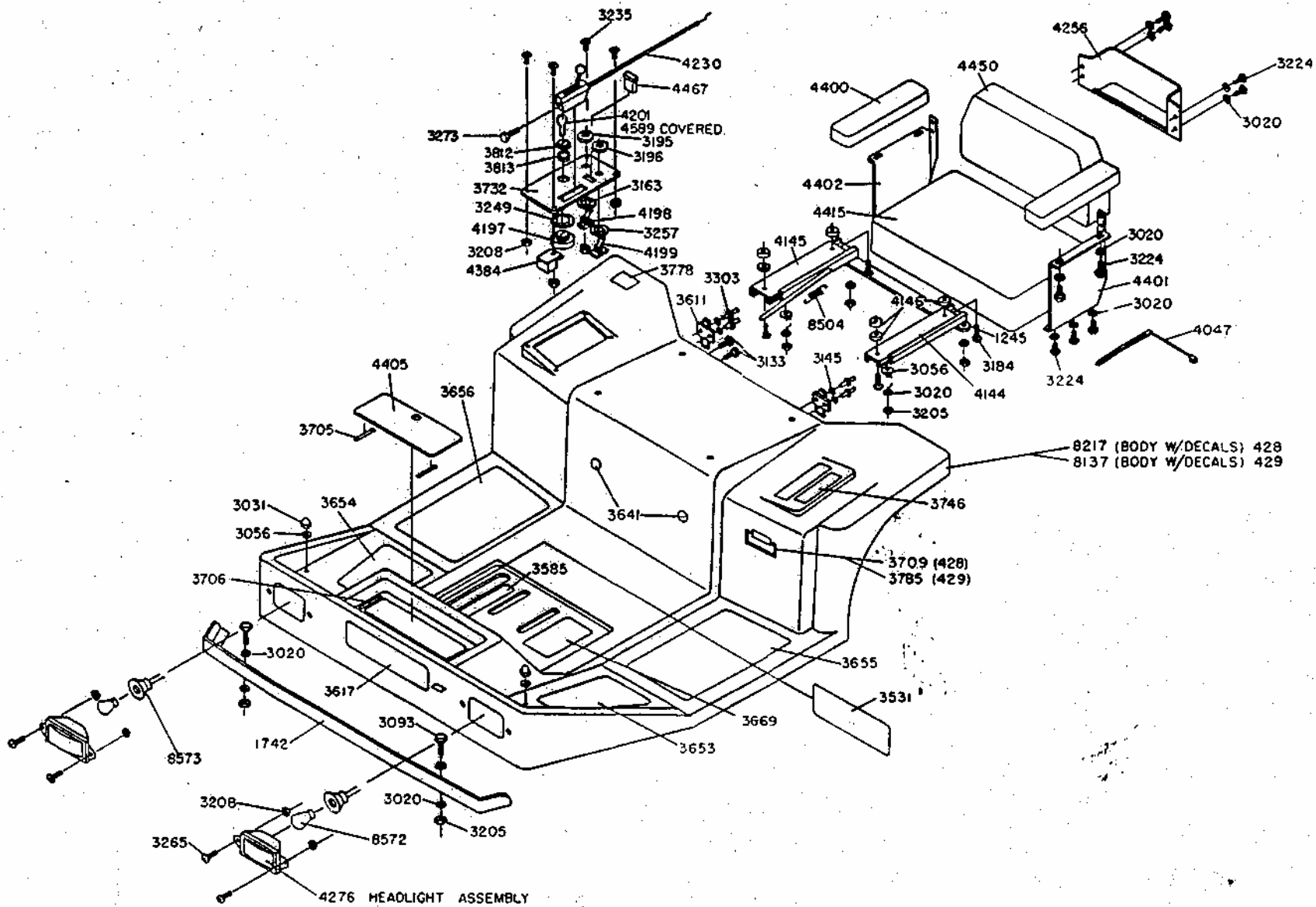
Coffeyville, Kansas 67337-0945 (316)251-2000

Airport Industrial Park

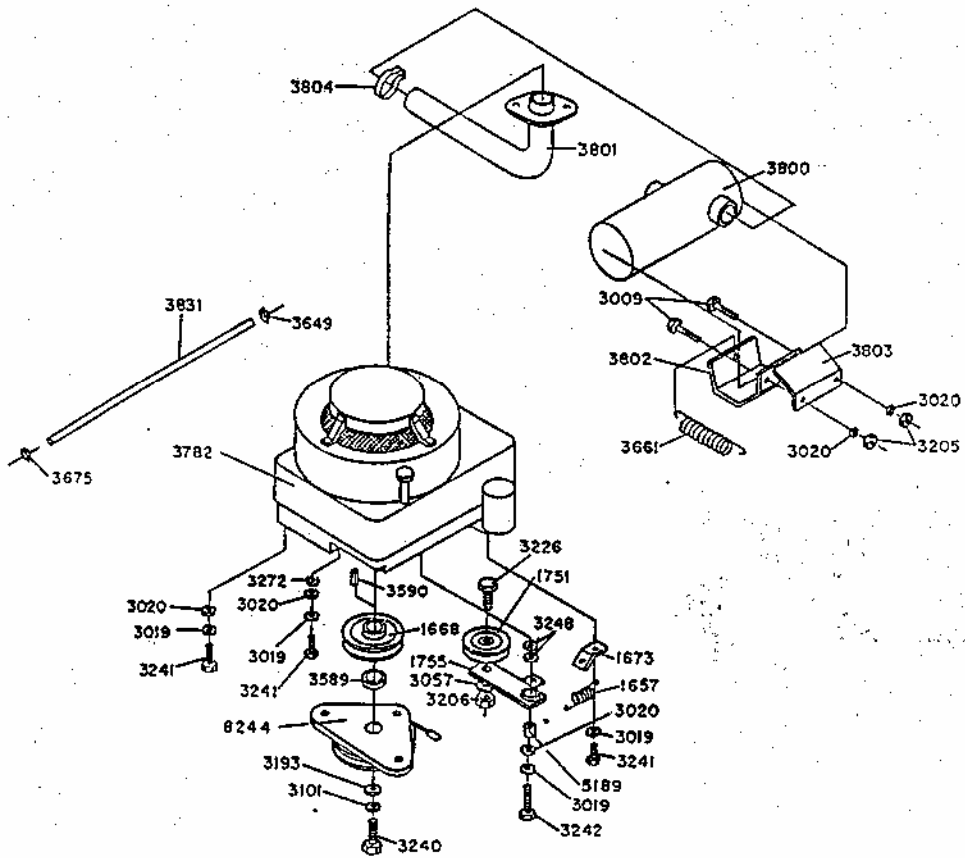
TELEX: 417109



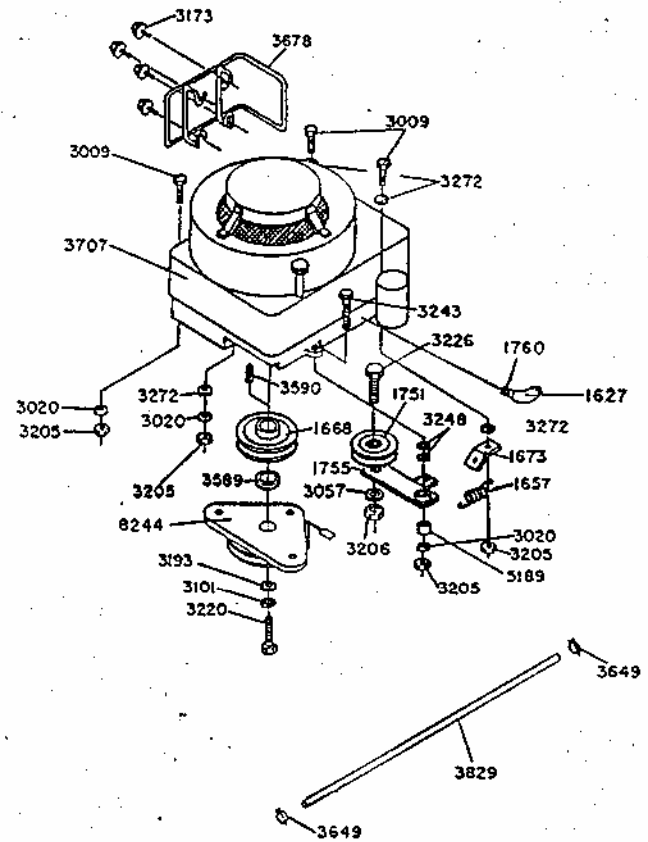
CHASSIS ASSEMBLY (MODEL 429 & 428)



BODY ASSEMBLY (MODEL 429 & 428)

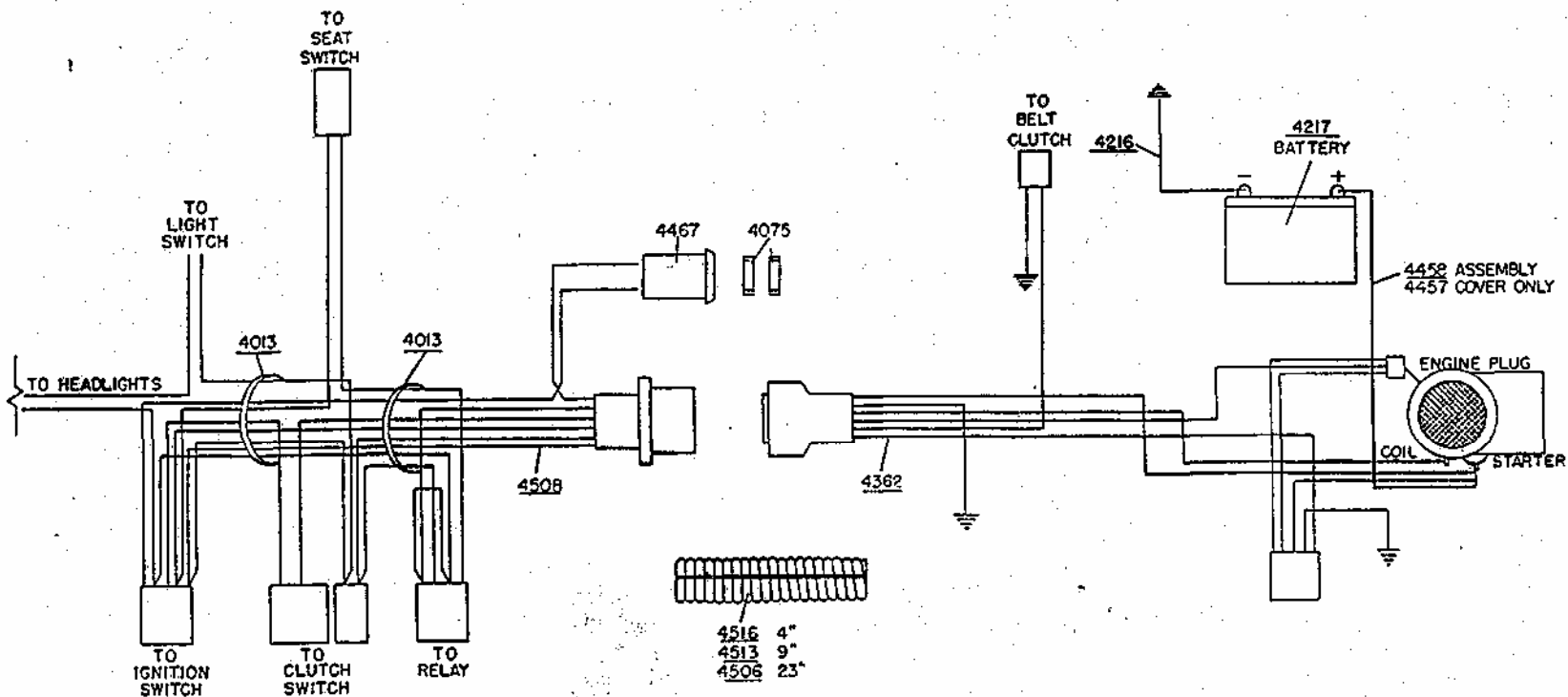


429 ONLY



428 ONLY

ENGINE ASSEMBLIES (MODEL 429 & 428)



BODY WIRING LOOM - 4508
 REAR WIRING LOOM - 4362
 WIRING KIT - 8687
 (SEE ASSEMBLY BREAKDOWN)

WIRING (MODEL 429 & 428)

Note: It is possible to install the engine to mower deck drive belt (P/N 0111) at this time; however, our engine Manufacturers have suggested that this, belt be installed after the engine has been fully serviced per Manufacturers' suggestions and allowed to operate at 1/2 to 3/4 throttle settings for approximately (3) Minutes. This will place the initial start up of the engine in a no load situation and allow complete engine lubrication.

Adjustment:

1. Install engine to Mower deck drive belt (P/N 6111).
2. Check and adjust tire pressures.
Front 19 to 21 psi; Rear 8 to 12 psi.
Tires May have been over inflated for shipping purposes.
3. Place the Mower on a level surface. Using the lift handle, raise the Mower deck to a height which will allow Measurements to be taken from the surface to the tops of the two outer Mower deck cutter blades (P/N 8688).
4. Align both outer Mower deck cutter blades to obtain a side to side Measurement. Starting with the left blade as viewed from operator's position, secure Measurement from level surface to the bottom of the - cutter blade tip, rotate blade and check Measurement on opposite end of cutter blade. Tip to tip measurement on the same cutter blade should not vary more than 1/8th of an inch. Maintain measurement taken and verify against the right outer cutter blade. If adjustment is required, loosen or tighten the nuts on the two rear L-rods.
5. Align both outer mower deck cutter blades front to rear as viewed from operator's position. Measure from surface to the bottom of the cutter blade tip, at the rear of the mower deck. Using the nut on the single front L-rod, loosen or tighten as required to place the mower deck at an attitude of approximately 1/8th of an inch higher in the rear than the front of the deck.
6. Recheck belt routing and alignment, start engine, burnish in electric blade clutch using at least (5) engagements at 3/4 to full throttle settings. Each engagement should last approximately (6) seconds.

Note: The completed adjustment places the mower deck in an attitude or position which will produce a quality cut. Ground speed, grass conditions, types of grass, tire pressures, dull or bent blades and loose belts are just some of the factors which will cause poor cut quality.



DIXON INDUSTRIES, INC.

Box1569

Coffeyville, Kansas 67337-0945 (316)251-2000

Airport Industrial Park

TELEX 417100

Free Manuals Download Website

<http://myh66.com>

<http://usermanuals.us>

<http://www.somanuals.com>

<http://www.4manuals.cc>

<http://www.manual-lib.com>

<http://www.404manual.com>

<http://www.luxmanual.com>

<http://aubethermostatmanual.com>

Golf course search by state

<http://golfingnear.com>

Email search by domain

<http://emailbydomain.com>

Auto manuals search

<http://auto.somanuals.com>

TV manuals search

<http://tv.somanuals.com>