

Owner's and Safety Manual

for Electric Chain Saws (pages 2 - 19)

Manuel d'emploi et de sécurité

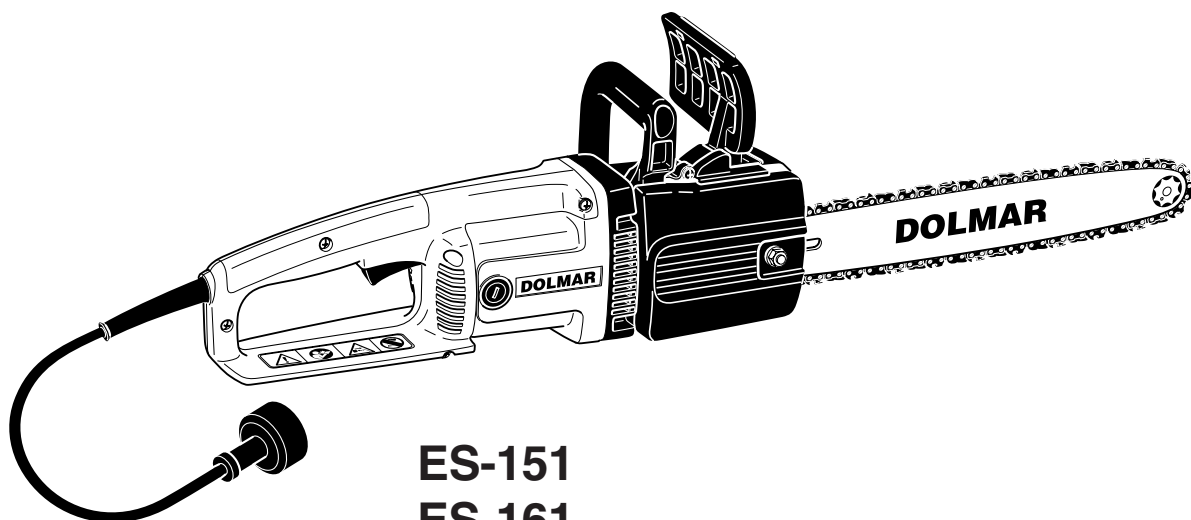
de tronçonneuses électrique (pages 20 - 37)

WARNING!

Read and understand this Manual. Always follow safety precautions in the Owner's and Safety Manual.
Improper use can cause serious injury!
Preserve this Manual carefully!

ATTENTION!

Suivez toujours les conseils de sécurité du présent manuel d'emploi et de sécurité.
Une utilisation incorrecte de la tronçonneuse peut entraîner des blessures graves!
Conservez avec soin ce manuel.
Lisez et comprenez ce manuel.



ES-151
ES-161
ES-171

DOLMAR



Thank you for your trust in our product

We congratulate you on your new DOLMAR electric chain saw. We are convinced that you will be satisfied with this modern machine.

DOLMAR electric chain saws are characterized by their robust, high-efficiency motors and high chain velocities which allow an excellent cutting efficiency. They are equipped with numerous state-of-the-art safety devices, are light, handy and can be put into operation immediately wherever electric power is provided.

In order to guarantee the optimal function and performance of your electric chain saw and to ensure your personal safety we would request you to perform the following:

Read and understand this instruction- and safety manual carefully before putting the electric chain saw into operation for the first time. Strictly observe the warnings and safety regulations! Failure to do so can result in serious injury to the operator and/or bystanders!

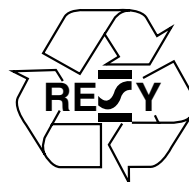


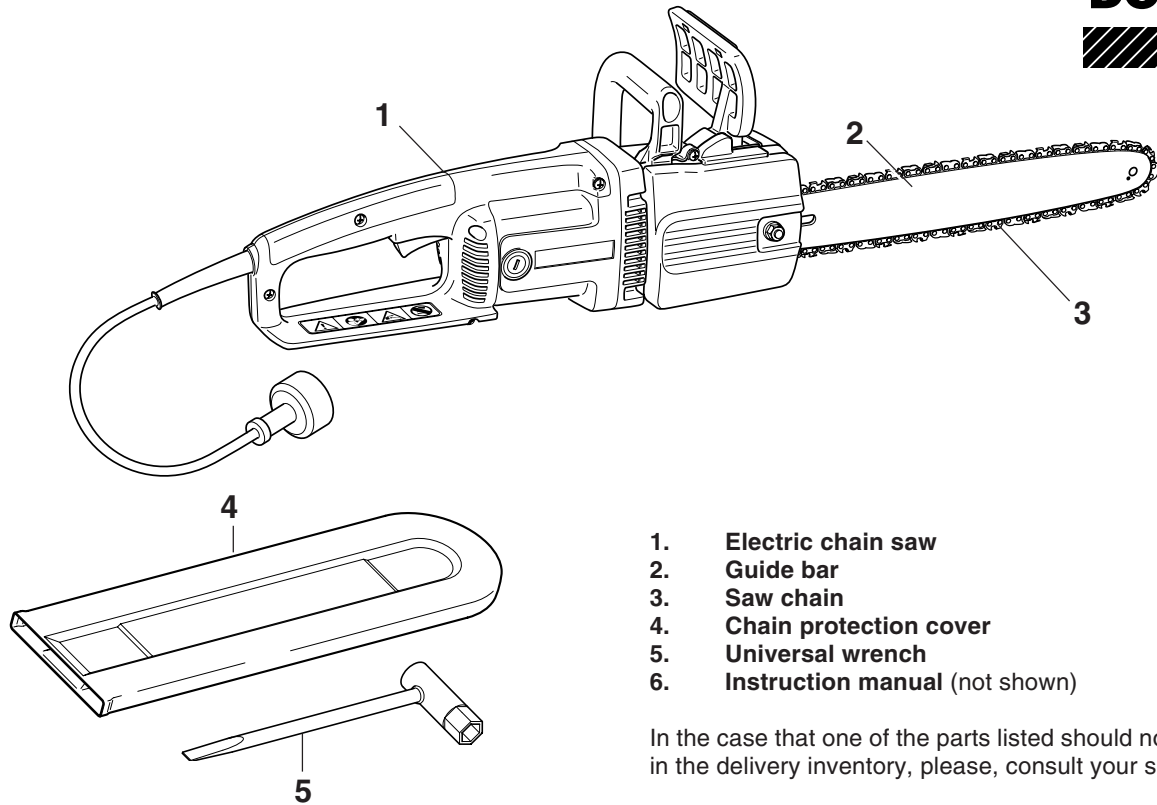
Table of contents	Page
Packing	2
Delivery inventory	3
Symbols	3
SAFETY INSTRUCTIONS	4-6
Use of extension cord	6
Chain saw nomenclature	7
PUTTING INTO OPERATION	
Mounting the guide bar and saw chain	8
Tightening the saw chain	8
Checking the chain tension	9
Chain brake	9
Saw chain oil	10
Refilling the oil tank	10-11
Switching on the motor	11
Holding the chain saw	11
Checking the chain brake	12
Checking the chain lubrication	12
Using the chain saw	12-13
MAINTENANCE	
Sharpening the saw chain	14-15
Cleaning the guide bar / lubricating the sprocket nose	15
Replacing the saw chain	16
Inspecting and replacing the carbon brushes	16
Trouble shooting	16
Instructions for periodic maintenance	17
Service, spare parts and guarantee	17-18
Extract of spare parts list	18
Accessories	18
Technical data	19
Adress list	38

Packing

The DOLMAR electric chain saw will be delivered in a protective cardboard box to prevent transport damages.

Cardboard is a basic raw material and is therefore consequently reuseable or suitable for recycling (waste paper recycling).





1. Electric chain saw
2. Guide bar
3. Saw chain
4. Chain protection cover
5. Universal wrench
6. Instruction manual (not shown)

In the case that one of the parts listed should not be included in the delivery inventory, please, consult your sales agent.

Symbols

You will notice the following symbols on the chain saw and in the instruction manual:

		Read instruction manual and follow the warnings and safety precautions!		Maximum permissible cut length
		Particular care and attention!		Wear protective gloves!
		Wear protective helmet, eye and ear protection!		WARNING: To Reduce the Risk of Electric Shock, do not Expose the Unit to Water or Operate on Wet Ground!
		Pull out the power supply plug!		
		Pull out the power supply plug if the cable is damaged!		Direction of chain travel
		Chain brake released		Double protective insulation
		Chain brake actuated		Saw chain oil
		Caution, kickback!		First aid
		Forbidden!		Recycling

IMPORTANT SAFETY INSTRUCTIONS

WARNING: WHEN USING AN ELECTRIC CHAIN SAW, BASIC SAFETY PRECAUTIONS SHOULD ALWAYS BE FOLLOWED TO REDUCE THE RISK OF FIRE, ELECTRIC SHOCK, AND INJURY TO PERSONS, INCLUDING THE FOLLOWING:

READ ALL INSTRUCTIONS (1)

- Keep Work Area Clean

Cluttered areas invite injuries. Do not start cutting until you have a clear work area, secure footing, and a planned retreat path from the falling tree.

- Consider Work Area Environment

Use extreme caution when cutting small size brush and saplings because the slender material may catch the saw chain and be whipped toward you or pull you off balance. Do not operate a chain saw in a tree unless specifically trained to do so. When cutting a limb that is under tension be alert for spring back so that you will not be struck when the tension in the wood fibers is released. Don't expose chain saw to rain (3). Don't use chain saw in damp or wet locations. Do not use chain saw in presence of flammable liquids or gases.

- Guard Against Electric Shock

Prevent body contact with grounded surfaces. For example: metal pipes, wire fences.

- Keep Children Away

Do not let visitors contact chain saw or extension cord. All visitors should be kept away from work area (4).

- Store Idle Chain Saw

When not in use, chain saws should be stored in a dry and high or locked up place-out of the reach of children. When storing saw, use a scabbard or carrying case.

- Don't Force Chain Saw

It will do the job better and safer at the rate for which it was intended.

- Use Right Tool

Cut wood only. Don't use chain saw for purpose not intended - for example - Don't use chain saw for cutting plastic, masonry non- wood building materials.

- Dress Properly

Do not wear loose clothing or jewelry. They can get caught in moving parts. Rubber gloves and non-skid footwear are recommended when working outdoors. Wear protective hair covering to contain long hair.

- Use Safety Glasses

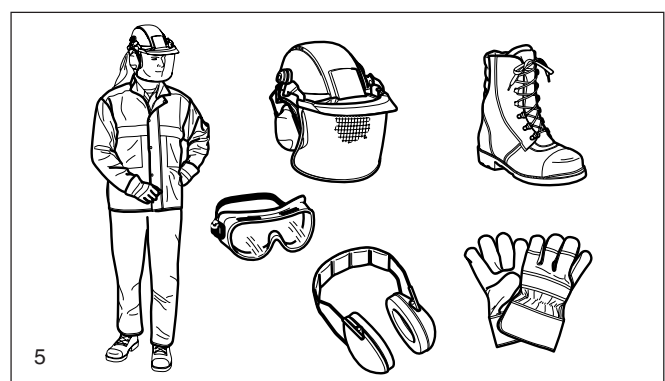
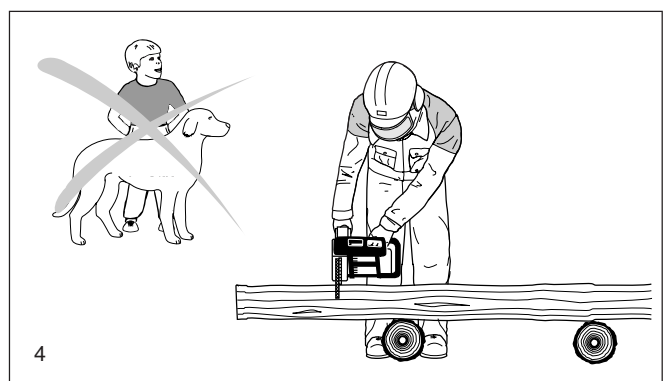
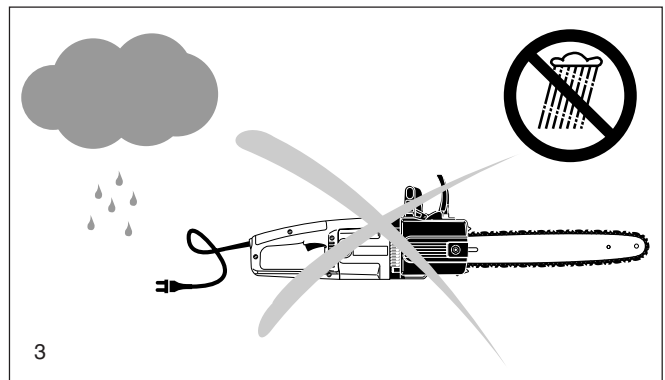
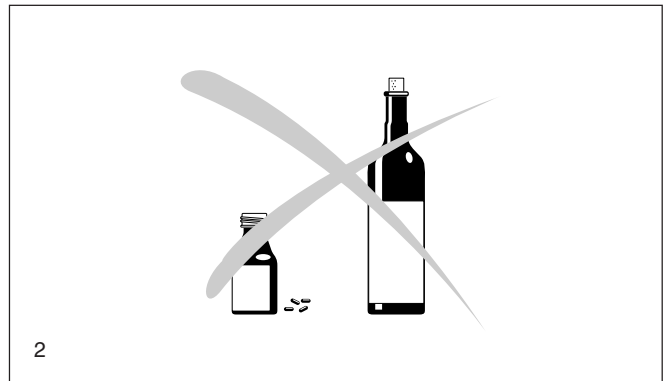
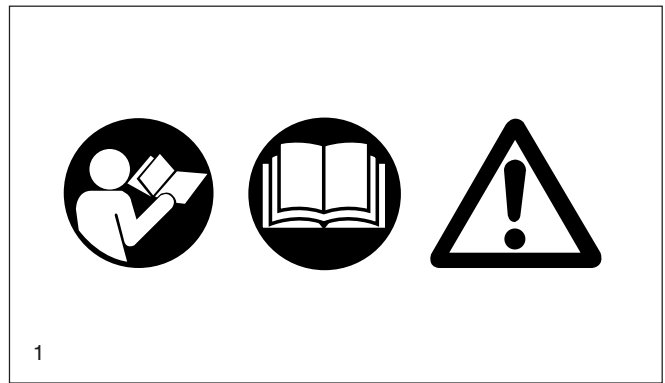
Also use safety footwear; snug fitting clothing; protective gloves; hearing and head protection (5).

- Carrying Saw

Carry the chain saw by the front handle with the saw stopped, finger off the switch, the guide bar and saw chain, covered with the chain protection, to the rear.

- Maintain Chain Saw With Care

Inspect chain saw cords periodically and if damaged, have repaired by authorized service facility. Keep cord clear of the chain and operator at all times. Never carry



saw by the cord or pull it to disconnect from receptacle. Keep cord from oil and sharp edges. Inspect extension cords periodically and replace if damaged. Keep tools sharp and clean for better and safer performance. Follow instructions for lubricating and changing accessories. Keep handles dry, clean, and free from oil and grease.

- **Disconnect Chain Saw**

Disconnect chain saw when not in use, before servicing, and when changing accessories and attachments, such as saw chain and guard (6).

- **Outdoor Use Extension Cords**

Use only extension cords intended for use outdoors and so marked.

- **Stay Alert**

Watch what you are doing. Use common sense. Do not operate chain saw when you are tired. Keep all parts of the body away from the saw chain when the motor is operating. Before you start the saw, make sure the saw chain is not contacting anything.

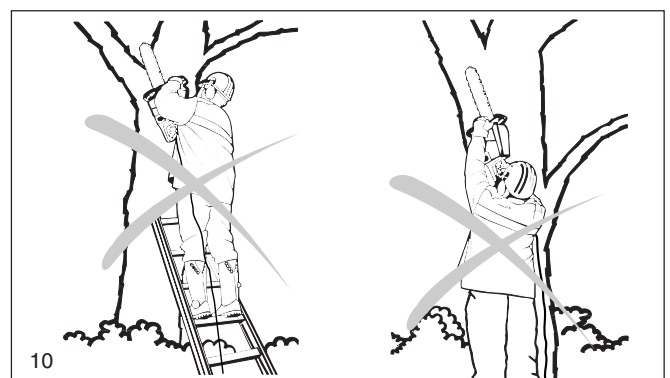
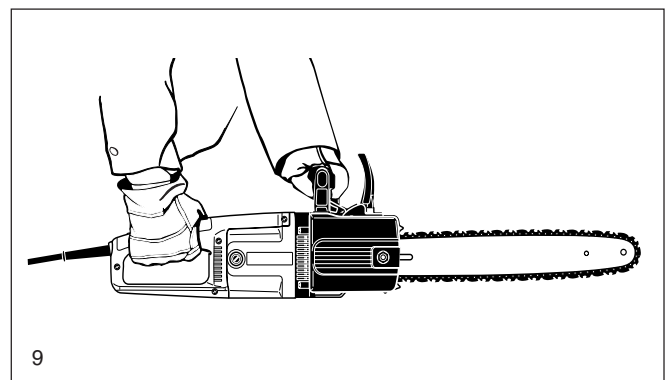
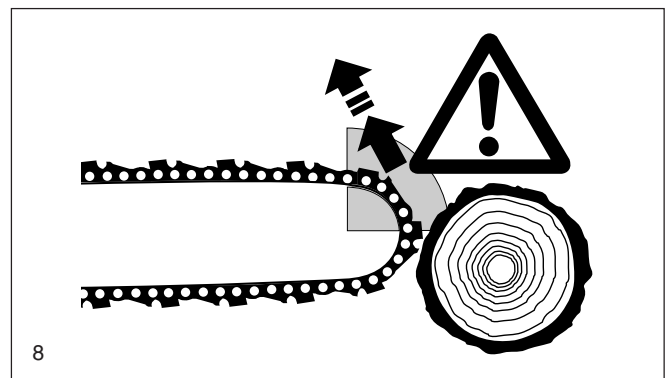
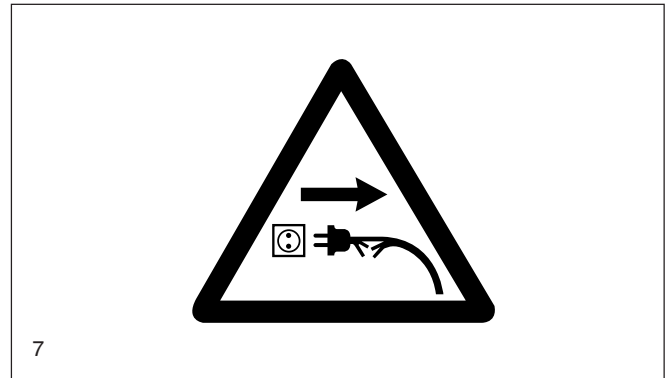
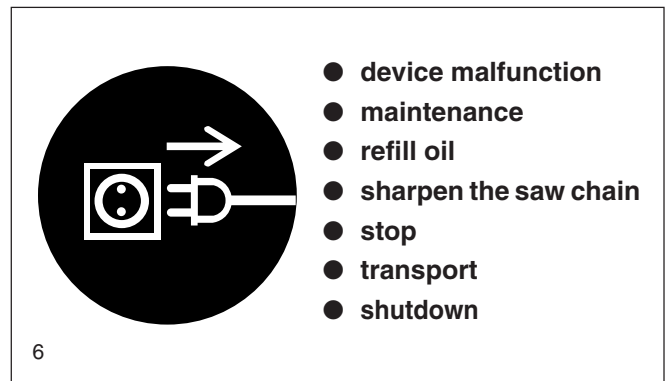
- **Check Damaged Parts**

Before further use of the chain saw, a guard or other part that is damaged should be carefully checked to determine that it will operate properly and perform its intended function. Check for alignment of moving parts, binding of moving parts, breakage of parts, mounting, and any other conditions that may affect its operation. A guard or other part that is damaged should be properly repaired or replaced by an authorized service center unless otherwise indicated elsewhere in this instruction manual. Have defective switches be replaced by authorized service center. Do not use chain saw if the switch does not turn the saw on and off. Do not operate a chain saw that is damaged, improperly adjusted, or is not completely and securely assembled (7). Be sure that the saw chain stops moving when the trigger is released.

- **Guard Against Kickback**

WARNING: KICKBACK may occur when the nose or tip of the guide bar touches an object (8), or when the wood closes in and pinches the saw chain in the cut. Tip contact in some cases may cause a lightning fast reverse reaction, kicking the guide bar up and back towards the operator. Pinching the saw chain along the top of the guide bar may push the guide bar rapidly back towards the operator. Either of these reactions may cause you to lose control of the saw which could result in serious injury to user. The following precautions should be followed to minimize kickback:

- Grip saw firmly. Hold the chain saw firmly with both hands when the motor is running (9). Use a firm grip with thumbs and fingers encircling the chain saw handles.
- Do not over reach.
- Keep proper footing and balance at all times.
- Don't let the nose of the guide bar contact a log, branch, ground, or other obstruction.
- Don't cut above shoulder height (10).
- Use devices such as low kickback chain, chain brakes and special guide bars that reduce the risks associated with kickback.
- Only use replacement bars and chains specified by the manufacturer.



- Power Supply

Connect chain saw to correct voltage, that is, be sure that the voltage supplied is the same as that specified on the nameplate of the tool (11).

- Replacement Parts

When servicing, use only identical replacement parts (11).

- Polarized Plugs

To reduce the risk of electric shock, this equipment has a polarized plug (one blade is wider than the other). This plug will fit in a polarized outlet only one way. If the plug does not fit fully in the outlet, reverse the plug. If it still does not fit, contact a qualified electrician to install the proper outlet. Do not change the plug in any way.

- Wear ear protectors during operation.

- Before making a felling cut, remove dirt, stones, loose bark, nails, staples and wire from the tree.

- Secure the log so that it will not rol or move suddenly during operation.

- AVOID UNINTENTIONAL STARTING. Don't carry plugged-in tool with finger on switch. Be sure switch is OFF when plugging in.

- Attention! Do not expose this tool to rain (12) and pull plug immediately if the supply cable is damaged or cut (13).

- The chain saw must not be left outdoors during rain and it must not be used when wet.

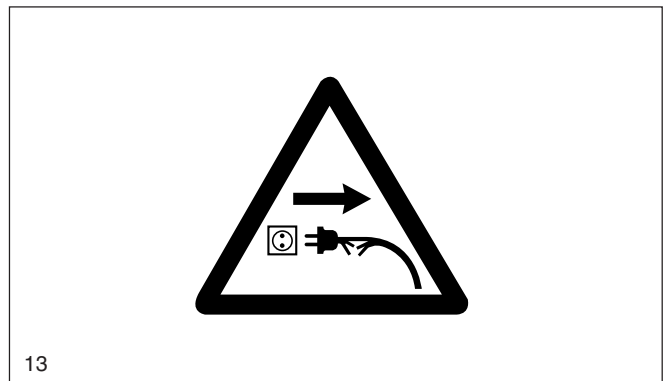
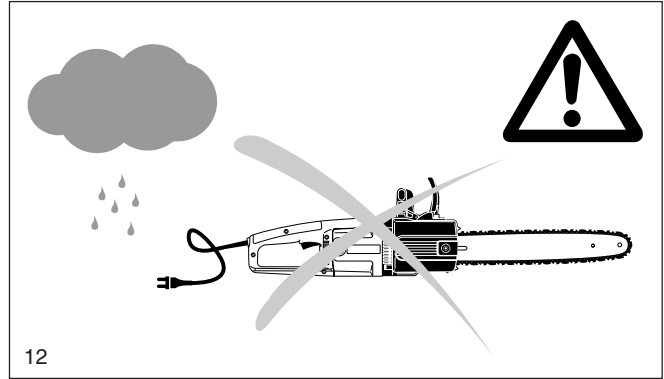
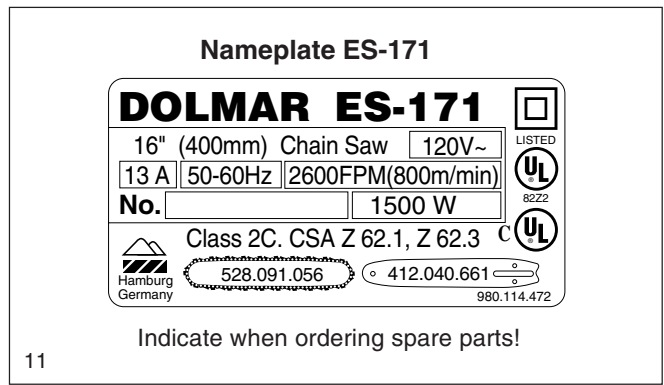
VOLTAGE WARNING:

Before connecting the tool to a power source (receptacle outlet, etc.) be sure the voltage supplied is the same as that specified on the nameplate of the tool. A power source with voltage greater than that specified for the tool can result in **SERIOUS INJURY** to the user - as well as damage to the tool. If in doubt, **DO NOT PLUG IN THE TOOL**. Using a power source with voltage less than the nameplate rating is harmful to the motor.

Use of Extension Cord

If the extension cord is intended to be used outdoors, the cord shall be marked with the suffix W-A following the cord type designation, for example - SJTW-A, to indicate it is acceptable for outdoor use. Use an extension cord heavy enough to carry the current the tool will draw. Undersize cord will cause a drop in line voltage resulting in loss of power and over-heating. Make sure the extension cord is in good condition before using. Keep the cord away from the cutting area and to position cord so that it will not be caught on branches, and the like, during cutting. Use the table below to determine the proper wire size required in the extension cord.

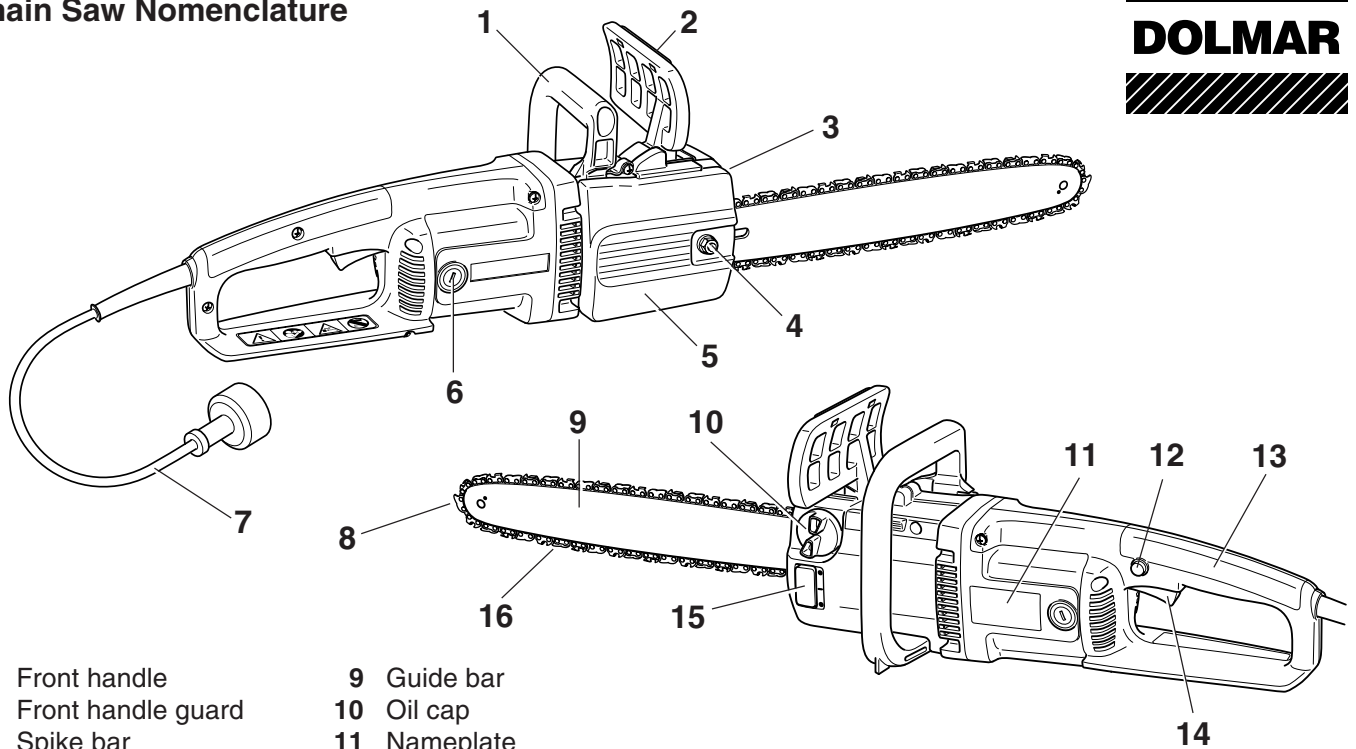
Contact DOLMAR Authorized or Factory Service Center if a proper extension cord cannot be found.



Ampere rating (on nameplate)	0-5.0	5.1-10.0	10.1-13.0	13.1-15.0
Ext. Cord Length	Wire Size (American Wire Gauge)			
25 Ft.	18	18	16	14
50 Ft.	18	16	16	14
75 Ft.	18	16	14	14
100 Ft.	16	14	12	12
125 Ft.	16	12	12	12
150 Ft.	16	12	12	-

SAVE THESE INSTRUCTIONS !

Chain Saw Nomenclature



- | | |
|----------------------|---|
| 1 Front handle | 9 Guide bar |
| 2 Front handle guard | 10 Oil cap |
| 3 Spike bar | 11 Nameplate |
| 4 Fastening nut | 12 Lock-off button |
| 5 Sprocket guard | 13 Rear handle |
| 6 Carbon brush cover | 14 Trigger switch |
| 7 Cord | 15 Oil tank with sightglass for oil level |
| 8 Guide bar nose | 16 Saw chain |

Bucking: The process of cross cutting a felled tree or log into lengths.

Chain Brake: A device used to stop the chain saw.

Chain Saw Powerhead: A chain saw without the saw chain and guide bar.

Clutch - A mechanism for connecting and disconnecting a driven member to and from a rotating source of power.

Drive Sprocket or Sprocket: The toothed part that drives the saw chain.

Felling - The process of cutting down a tree.

Felling Back Cut : The final cut in a tree felling operation made on the opposite side of the tree from the notching undercut.

Front Handle: The support handle located at or toward the front of the chain saw.

Front Handle Guard: A structural barrier between the front handle of a chain saw and the guide bar, typically located close to the hand position on the front handle and sometimes employed as an activating lever for a chain brake.

Guide Bar: A solid railed structure that supports and guides the saw chain.

Kickback: The backward or upward motion, or both of the guide bar occurring when the saw chain near the nose of the top area of the guide bar contacts any object such as a log or branch, or when the wood closes in and pinches the saw chain in the cut.

Kickback, Pinch: The rapid pushback of the saw which can occur when the wood closes in and pinches the moving saw chain in the cut along the top of the guide bar.

Kickback, Rotational: The rapid upward and backward motion of the saw which can occur when the moving saw chain near the upper portion of the tip of the guide bar contacts an object, such as a log or branch.

Low-Kickback Chain: A chain that complies with the kickback performance requirements of ANSI B175.1 when tested on a representative sample of chain saws.

Normal Cutting Position: Those positions assumed in performing the bucking and felling cuts.

Notching Undercut: A notch cut in a tree that directs the tree's fall.

Oiler Control: A system for oiling the guide bar and saw chain.

Rear Handle: The support handle located at or toward the rear of the saw.

Reduced Kickback Guide Bar: A guide bar which has been demonstrated to reduce kickback significantly.

Replacement Saw Chain: A chain that complies with the kickback performance requirements of ANSI B175.1 when tested with specific chain saws. It may not meet the ANSI performance requirements when used with other saws.

Saw Chain: A loop of chain having cutting teeth, that cut the wood, and that is driven by the motor and is supported by the guide bar.

Spike Bar (Spike): The pointed tooth or teeth for use when felling or bucking to pivot the saw and maintain position while sawing.

Switch: A device that when operated will complete or interrupt an electrical power circuit to the motor of the chain saw.

Lock-Off Button: A movable stop that prevents the unintentional operation of the switch until manually actuated.

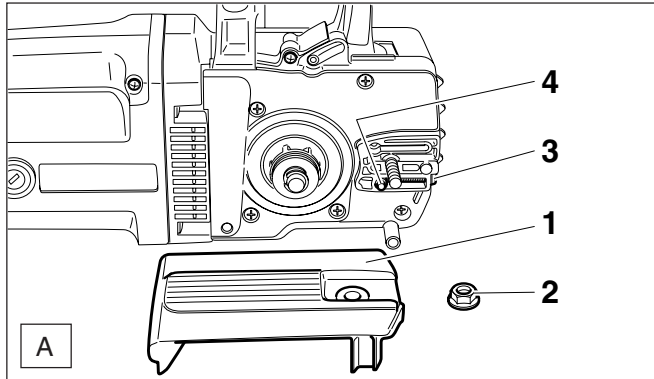
PUTTING INTO OPERATION



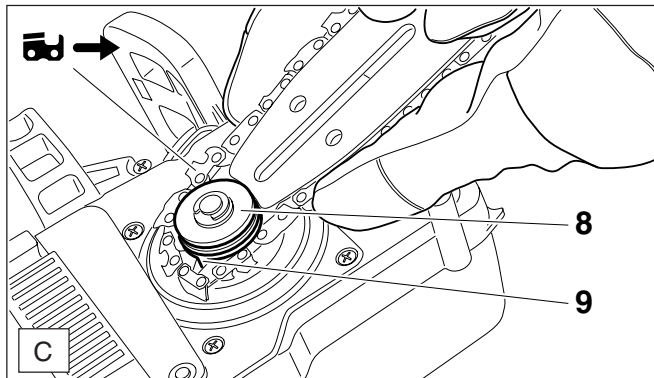
Mounting the guide bar and saw chain

Use the universal wrench delivered with the machine.

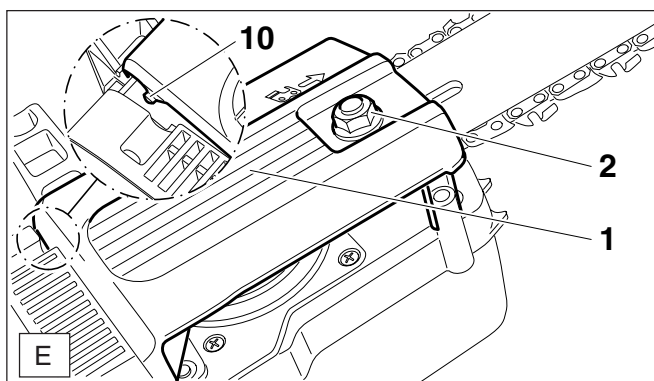
Put the electric chain saw on a stable surface and carry out the following operations for mounting the bar and chain:



- Unscrew retaining nut (A/2).
- Pull off the sprocket guard (A/1).
- Turn the chain adjusting screw (A/3) to the left (counter-clockwise) until the pin (A/4) is at the left stop.



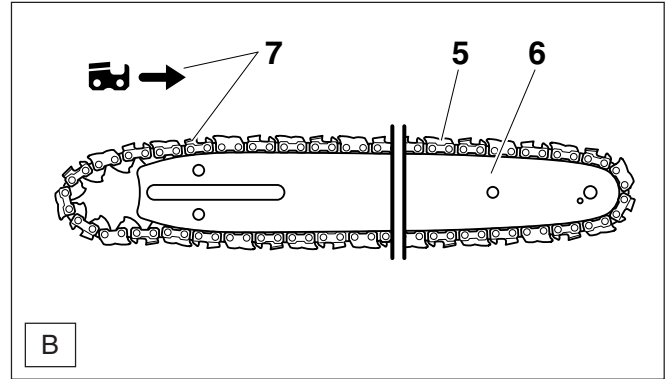
- Pull the chain around the sprocket (C/8) and into the sprocket teeth (C/9).



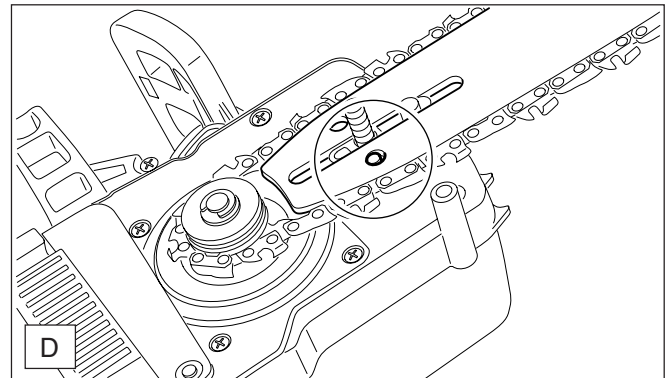
- When putting on the sprocket guard (E/1) make sure that the sprocket guard lug (E/10) fits into the hole (see enlarged illustration).
- Tighten mounting nut (E/2) lightly by hand.

CAUTION: When working on the guide bar or saw chain always wear protective gloves and pull out the power supply plug.

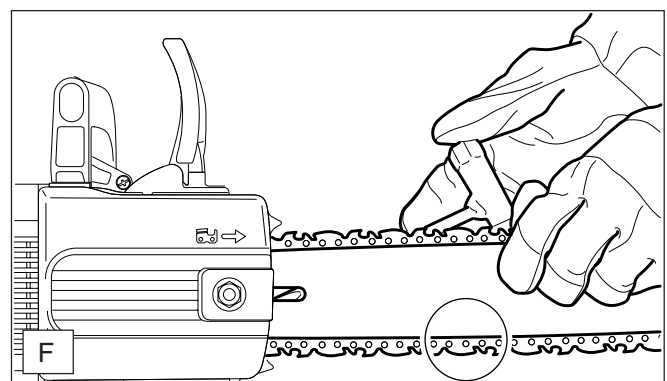
CAUTION: Switch on the electric chain saw only after having assembled it completely and inspected!



- Lay the chain (B/5) on the guide bar (B/6).
- The cutting edges (B/7) of the chain on the top edge of the guide bar must face in the direction shown by the arrow.



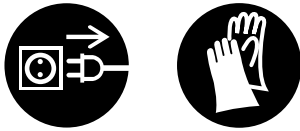
- Position the guide bar. Take care that the pivot (A/4) of the chain tightener is inserted into the bore (see circle) of the guide bar.



Tightening the saw chain

- Slightly lift the end of the guide bar and turn the chain tightener screw (A/3) to the right (clockwise) until the saw chain rests against the bottom side of the guide bar (see circle).
- Continue to lift the guide bar end and firmly tighten the fastening nut (E/2) by means of the universal wrench.

Checking the chain tension



The chain has the proper tension when it lies against the bottom edge of the guide bar and can be easily pulled by hand about 5 mm (a little under 1/4") up from the guide bar.

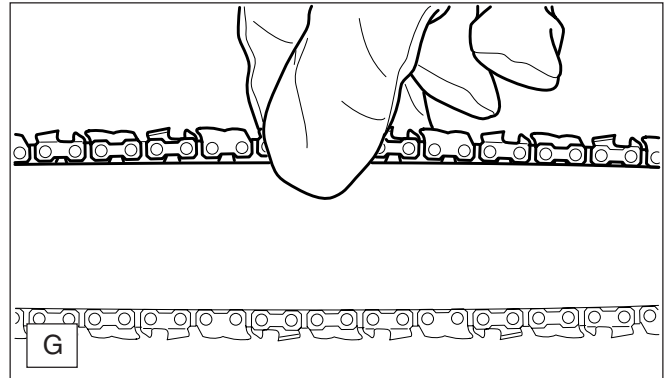
Check the chain tension frequently - new chains tend to get longer during use!

When checking the chain tension the motor must be **switched off** and the power supply plug **pulled out**.

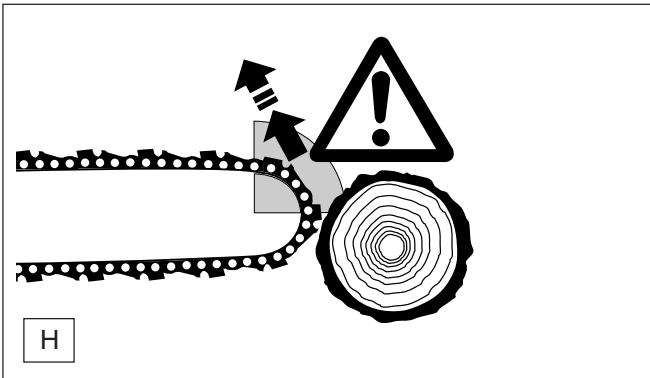
HINT:

Use 2 or 3 saw chains alternately for even wear of the chains, sprocket and guide bar running surfaces.

In order to guarantee a uniform wear of the groove in the bar the bar should be turned over whenever replacing the chain.

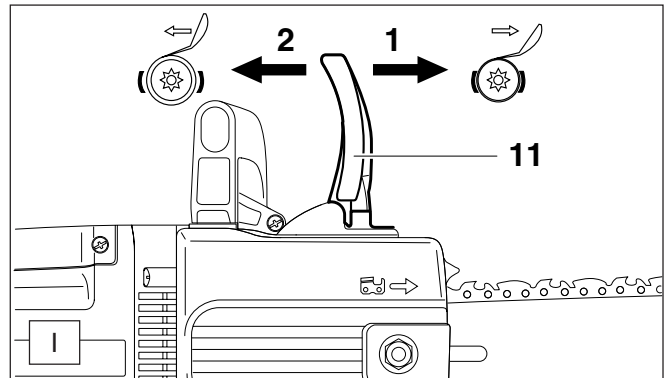


Chain brake



The ES-151, ES-161 and ES-171 comes with an inertia chain brake as standard equipment. If kickback occurs due to contact of the guide-bar tip with wood (see SAFETY PRECAUTIONS, page 5), the chain brake will stop the chain through inertia if the kickback is sufficiently strong.

The chain will stop within a fraction of a second.



Engaging the chain brake (braking)

If the kickback is strong enough the sudden acceleration of the guide bar combined with the inertia of the hand guard (I/11) will **automatically** actuate the chain brake.

To engage the chain brake **manually**, simply push the hand guard (I/11) forward (towards the tip of the saw) with your left hand (arrow 1).

Releasing the chain brake

Pull the hand guard (I/11) towards you (arrow 2) until you feel it catch. The brake is now released.

Note:

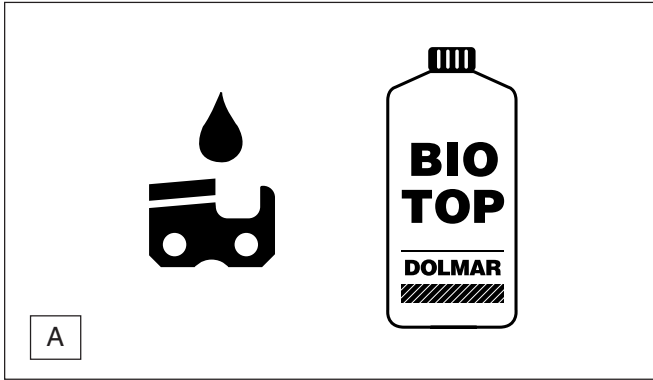
When the chain brake is actuated the power supply to the motor will be cut off. Testing of the chain brake is described on page 12.

Chain brake maintenance



The chain brake is a very important safety feature, and like any other part it is subject to a certain amount of wear. Regular inspection and maintenance is important for your personal safety, and can be properly performed only by a DOLMAR service center.

Saw chain oil



Use a special oil with adhesive addition for lubricating the saw chain and bar. The adhesive addition prevents that the oil is centrifuged too fast from the sawing device.

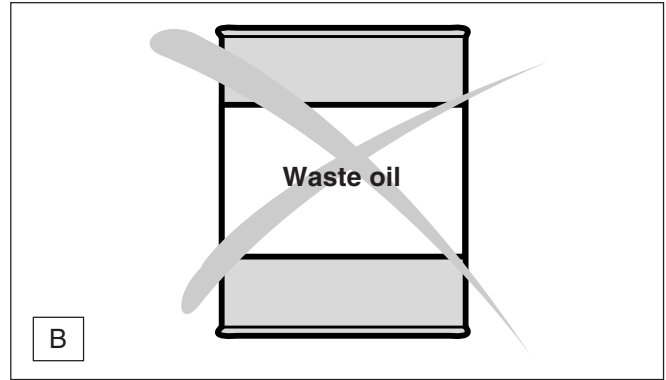
Do not use mineral oils. In order to protect the environment the use of biologically decomposeable oil is prescribed.

The saw chain oil sold by DOLMAR, called BIOTOP, is made of special vegetable oils and is biologically decomposeable to 100%. BIOTOP has been granted the "blue angel" for being particularly favourable to the environment (RAL UZ 48).

Biologically decomposeable oil is stable only for a limited period of time. It should be consumed within 2 years from the date of manufacture (printed on the container).

BIOTOP oil is available in the following packing sizes to suit your individual requirements:

1 liter	order number 980 008 210
5 liters	order number 980 008 211
20 liters	order number 980 008 213



Never use waste oil

Waste oil is very dangerous for the environment.

Waste oil contains high amounts of carcinogenic substances.

The residues in the waste oil result in a high degree of wear and tear at the oil pump and the sawing device.

In the case of damage caused by using waste oil or inappropriate saw chain oil the product guarantee will be null and void.

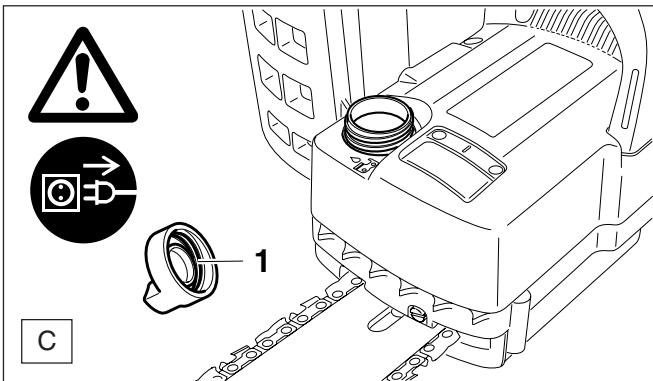
Your salesman will inform you about the use of saw chain oil.

Avoid skin and eye contacts

Mineral oil products as well as oil degrease the skin. If your skin repeatedly comes in contact with these substances for a longer period of time, it will desiccate. Various skin diseases may result. In addition, allergic reactions are known.

Eyes can be irritated by contact with oil. If oil gets into your eyes, immediately wash them with clear water. If your eyes are still irritated, go to see a doctor.

Refilling the oil tank



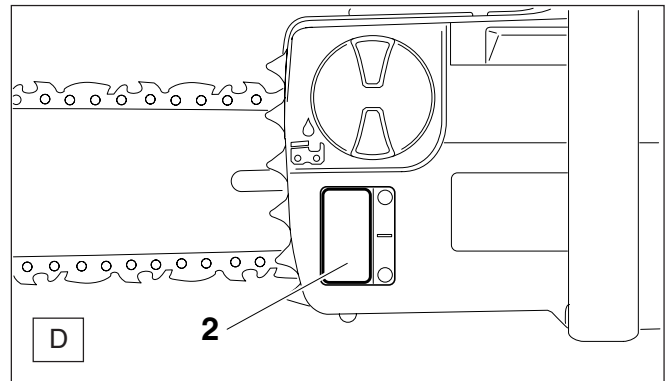
Only if the motor is switched off and the power supply plug is pulled out

- Thoroughly clean the oil tank around the cap to prevent dirt from entering the tank.
- Unscrew the tank cap (C/1) and fill in chain oil until it is on a level with the bottom edge of the filler socket.
- Tightly screw on the tank cap.
- Thoroughly remove any oil that has overflowed.

Important!

Before operating the saw for the first time, the oil feed system must be completely filled, until the chain oil lubricates the chain and guide bar.

This procedure can take up to two minutes.



- The oil level can be controlled in the sight glass (D/2).

Lubricating the saw chain

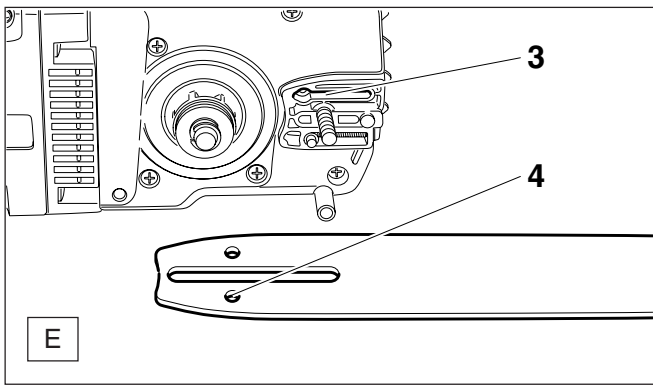
In order to ensure sufficient lubrication of the saw chain there must always be enough oil in the tank. Its contents (120 ml) is sufficient for approx. 1/2 hour at continuous operation.

Important note on bio-degradable chain oils:

If you are not planning to use the saw again for an extended period of time, empty the oil tank and put in a small amount of regular engine oil (SAE 30), and then run the saw for a time. This is necessary to flush out all remaining bio-degradable oil from the oil tank, oil-feed system, chain and guide bar, as many such oils tend to leave sticky residues over time, which can cause damage to the oil pump or other parts.

The next time you use the saw, fill the tank with BIOTOP chain oil again.

The next time you use the saw refill the tank with new BIOTOP chain oil.



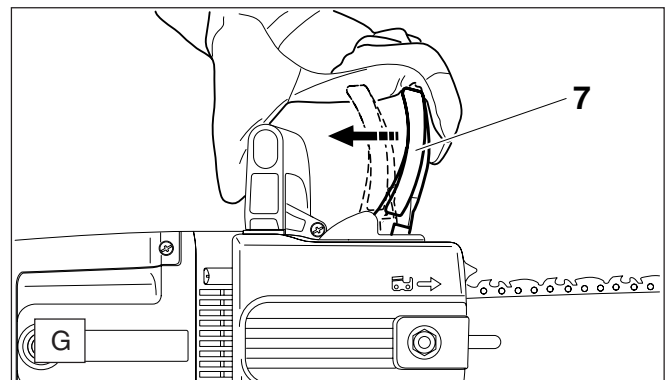
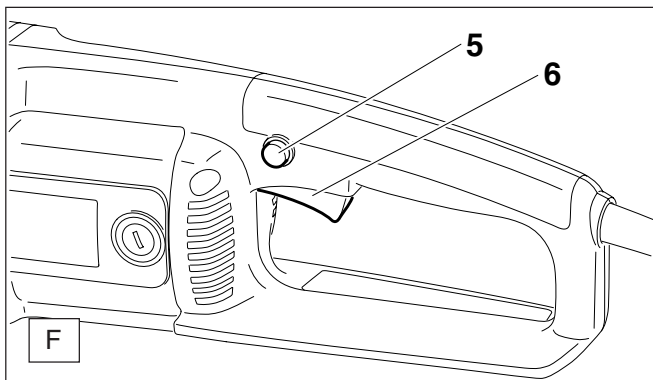
To guarantee a troublefree operation of the oil pump the oil guide groove (E/3) as well as the oil inlet bore in the guide bar (E/4) must be cleaned in regular intervals.

Note:

After the saw has been turned off it is normal for residual chain oil to drip from the oil feed system, the guide bar and the chain for a time. This does not constitute a defect!

Place the saw on a suitable surface.

Switching on the motor   



- Plug in the saw.
- **When switching on the electric chain saw always hold it with both hands.**
- Take the back handle with the right hand and the tubular handle with the left hand. Hold the handles tightly with your thumbs facing your fingers. The bar and chain must not be in contact with any object.
- First depress the locking button (F/5) and then the power switch (F/6). Then release the locking button (F/5).
- **Attention: The chain starts running immediately.** Keep the power switch depressed as long as the motor is to run.

NOTE:

When the chain brake is actuated the power supply to the motor will be cut off.

If the saw does not start when the ON/OFF switch (F/6) is actuated, it will be necessary to release the chain brake.

- Pull the hand guard (G/7) firmly in the direction of the arrow until you feel it catch.

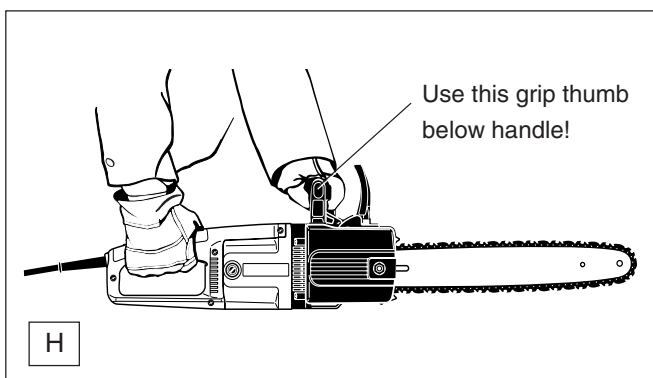
CAUTION:

Never lock the power switch in the ON position.

Switching off the motor:

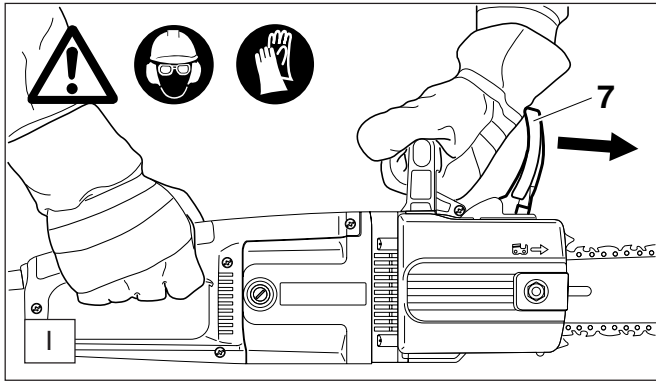
- Release the power switch (F/6).

Holding the chain saw   



Always grip each handle with the thumb and fingers encircling the handle as shown in Fig. H.

Checking the chain brake

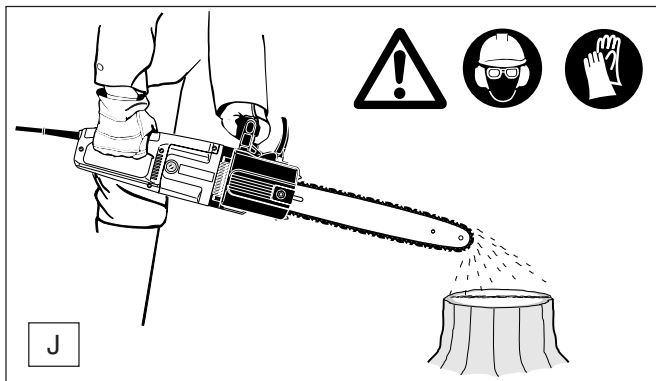


Do not work with the chain saw without first checking the chain brake!

- Start the motor as described (make sure you have a good footing, and place the chain saw on the ground in such a way that the guide bar is free of contact).
- Grasp the tubular handle firmly with one hand and hold the grip with the other.
- Switch on the motor and press the hand guard (1/7) in the direction of the arrow with the back of your hand until the chain brake engages. The chain should stop immediately.
- Switch the motor off immediately and release the chain brake.

IMPORTANT: If the saw chain does not stop instantly when you carry out this test, do not under any circumstances use the saw! Take the chain saw to a DOLMAR service center.

Checking the chain lubrication



Never saw when a sufficient chain lubrication is not guaranteed. Otherwise the life of the sawing device will be reduced. Before starting work check the oil level in the tank and the oil feeding. Check the fed oil quantity by following the instructions below:

- Start the electric chain saw.
- Hold the running chain saw approx. 6" (15 cm) above a trunk or the ground (use an appropriate surface).

If the lubrication is sufficient, you will see a light oiltrace because oil will be centrifuged from the chain saw.

Pay attention to the direction the wind is blowing and avoid unnecessary exposure to the oil spray!

Using the chain saw

Always be sure of your footing and hold the chain saw firmly with both hands while the motor is running.

Felling a tree

When bucking and felling operations are being performed by two or more persons, at the same time, the felling operation should be separated from the bucking operation by a distance of at least twice the height of the tree being felled. Trees should not be felled in a manner that would endanger any person, strike any utility line or cause any property damage. If the tree does make contact with any utility line, the utility company should be notified immediately.

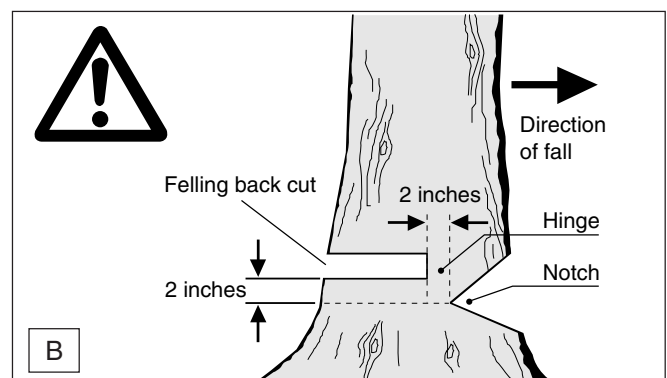
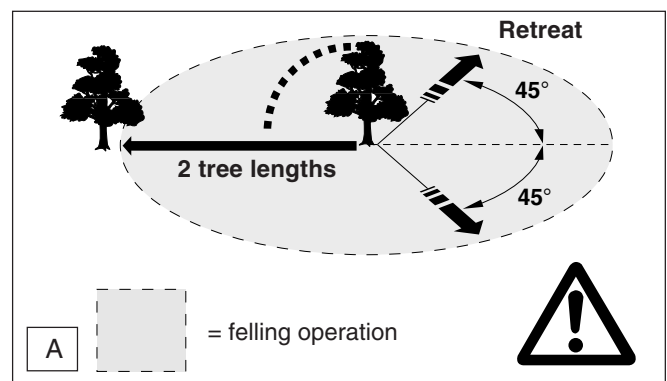
The chain saw operator should keep on the uphill side of the terrain as the tree is likely to roll or slide downhill after it is felled.

A retreat path should be planned and cleared as necessary before cuts are started. The retreat path should extend back and diagonally to the rear of the expected line of fall as shown in Fig. A. The next working place is at least 2 tree lengths away.

Before felling is started, consider the natural lean of the tree, the location of larger branches and the wind direction to judge which way the tree will fall. Remove dirt, stones, loose bark, nails, staples, and wire from the tree where felling cuts are to be made.

Notching undercut

Make the notch 1/3 the diameter of the tree, perpendicular to the direction of fall as shown in Fig.B. Make the lower horizontal notching cut first. This will help to avoid pinching of either the saw chain or the guide bar when the second notch is being made.



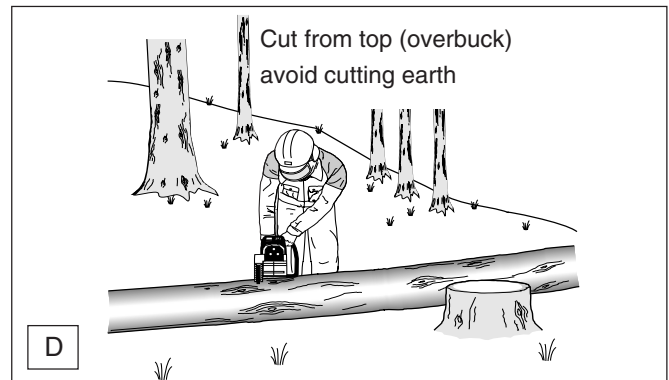
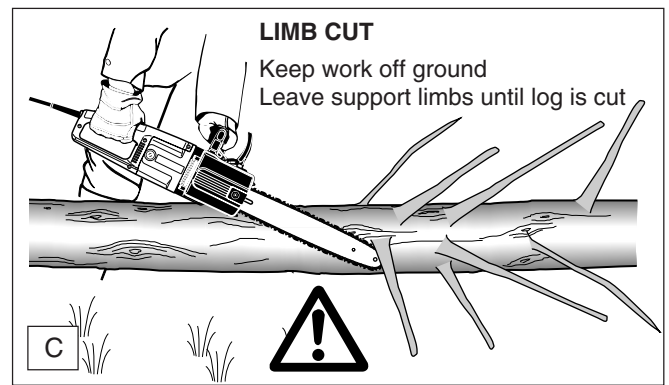
Felling back cut

Make the felling back cut at least 2 inches (50.8 mm) higher than the horizontal notching cut as shown in Fig. B. Keep the felling back cut parallel to the horizontal notching cut. Make the felling back cut so enough wood is left to act as a hinge. The hinge wood keeps the tree from twisting and falling in the wrong direction. Do not cut through the hinge.

As the felling cut gets close to the hinge the tree should begin to fall. If there is any chance that the tree may not fall in the desired direction or it may rock back and bind the saw chain, stop cutting before the felling back cut is complete and use wedges of wood, plastic or aluminum to open the cut and drop the tree along the desired line of fall. When the tree begins to fall remove the chain saw from the cut, stop the motor, put the chain saw down, then use the retreat path planned. Be alert for overhead limbs falling and watch your footing.

Limbing a tree

Limbing is removing the branches from a fallen tree. When limbing, leave larger lower limbs to support the log off the ground. Remove the small limbs in one cut as shown in Fig. C. Branches under tension should be cut from the bottom up to avoid binding the chain saw.



Bucking a log

Bucking is cutting a log into lengths. It is important to make sure your footing is firm and your weight is evenly distributed on both feet. When possible, the log should be raised and supported by the use of limbs, logs or chocks. Follow the simple directions for easy cutting.

When the log is supported along its entire length as shown in Fig. D, it is cut from the top (overbuck).

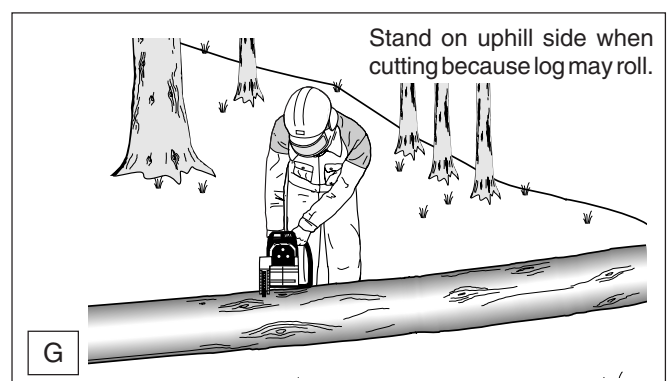
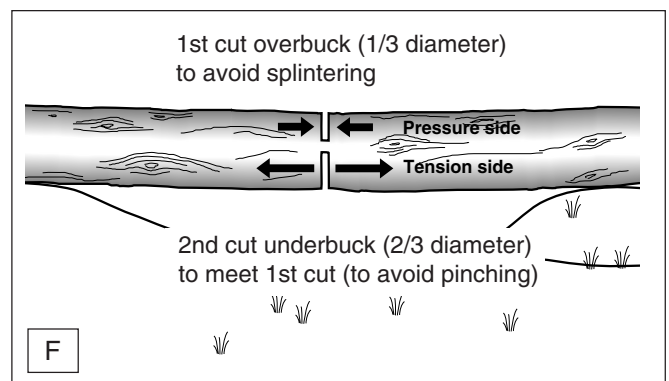
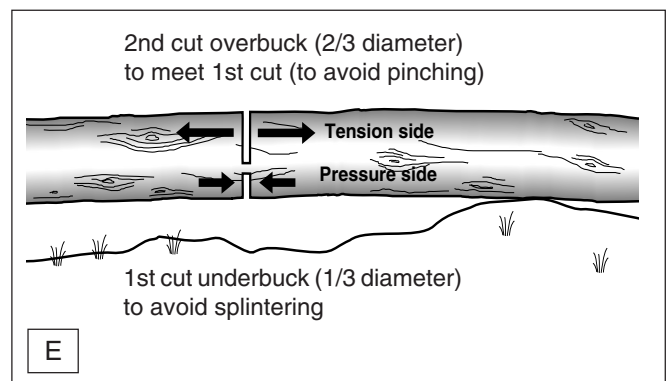
When the log is supported on one end, as shown in Fig. E, cut 1/3 the diameter from the underside (underbuck). Then make the finished cut by overbucking to meet the first cut.

When the log is supported on both ends, as shown in Fig. F, cut 1/3 of that diameter from the top overbuck. Then make the finished cut by underbucking the lower 2/3 to meet the first cut.

When bucking on a slope, always stand on the uphill side of the log, as shown in Fig. G. When "cutting through", to maintain complete control, release the cutting pressure near the end of the cut without relaxing your grip on the chain saw handles. Don't let the chain contact the ground. After completing the cut, wait for the saw chain to stop before you move the chain saw. Always stop the motor before moving from tree to tree.

Carrying tool

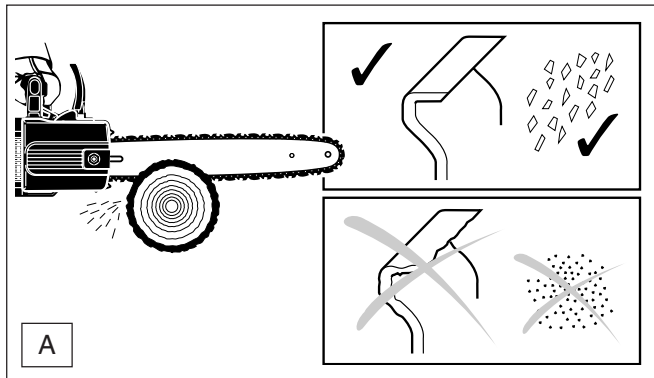
Carry the tool by the front handle with the tool turned off, finger off the switch. Use the chain protection cover to cover the guide bar and the saw chain.



MAINTENANCE

Sharpening the saw chain

When working on the saw chain you must always pull out the power supply plug and wear protective gloves.



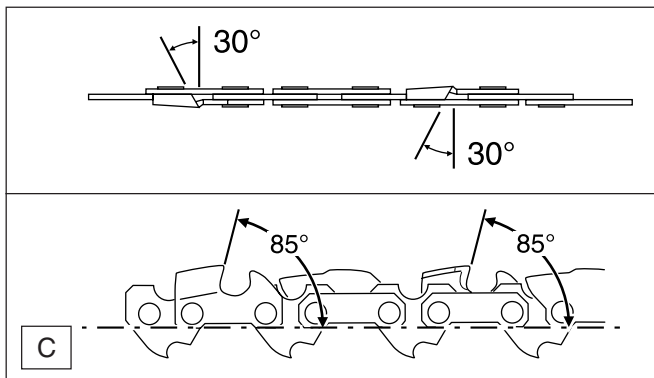
The chain needs sharpening when:

- the sawdust from sawing humid wood looks like wood flour.
- the saw chain penetrates the wood only under great pressure.
- the cutting edge is visibly damaged.
- the sawing device is pulled to the left or the right during the sawing operation. This is caused by uneven sharpening of the chain or by damage to one side of it.

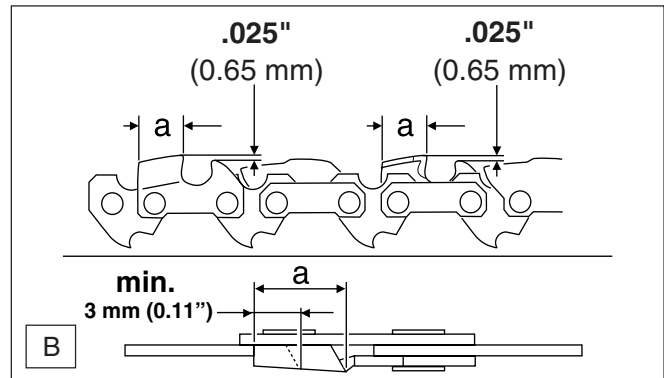
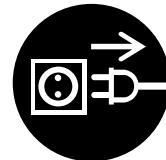
Important: Sharpen frequently, but without removing too much metal!

Generally, 2-3 strokes of the file will be enough.

Have the chain resharpened in a service center when you have sharpened it yourself several times.



- All cutters must be sharpened to the same angle, 30°. Different angles result in a roughly, irregularly running chain, increase wear and tear and cause chain beakage.
- The 85° front rake of the cutter results from the cut depth of the round file. If the proper file is used in the right manner, the correct front rake will be obtained automatically.



Proper sharpening:

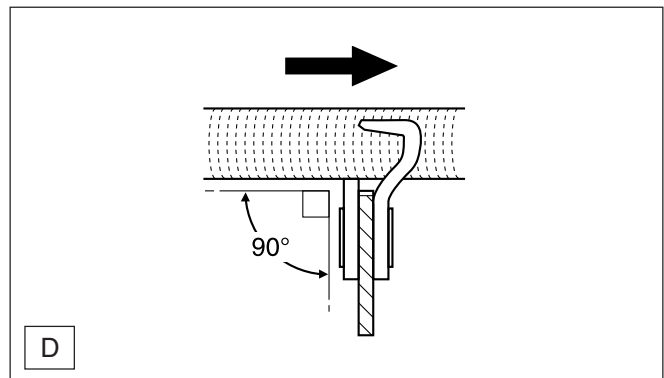
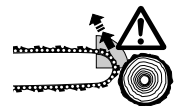
CAUTION:

Use only chains and guide bars designed for this saw (see the Extract from the spare-parts list)!

- All cutters must be of the same length (dimension a). Cutters with different lengths result in rough running of the chain and can cause cracks in the chain.
- Minimum cutter length is 0.11" (3 mm). Do not resharpen the chain when the minimum cutter length has been reached; at this point, the chain must be replaced (see the Extract from the spare-parts list and "Replacing the chain").
- The depth of the cut is determined by the difference in height between the depth limiter (round nose) and the cutting edge.
- The best results are obtained with a depth-limiter depth of .025" (0.65 mm).

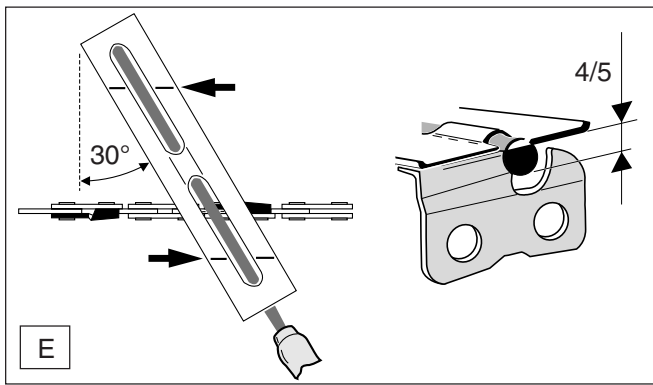
CAUTION:

Excessive depth increases the risk of kickback!

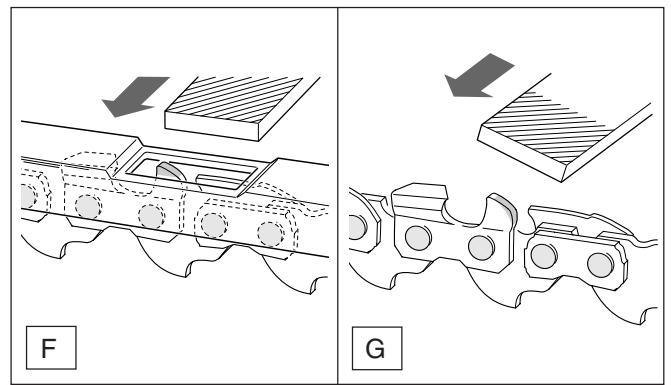


Files and how to work with them

- Use a special round file dia. 4.0 mm for chains for sharpening the chain. Normal round files are not appropriate for this work. See "Accessories" for the order number.
- The file should cut only when pushed forwards (arrow). Lift the file when leading it backwards.
- First sharpen the shortest cutter. The length of this cutter is then the standard for all other cutters of the chain.
- Always guide the file as in fig. "D" shown.



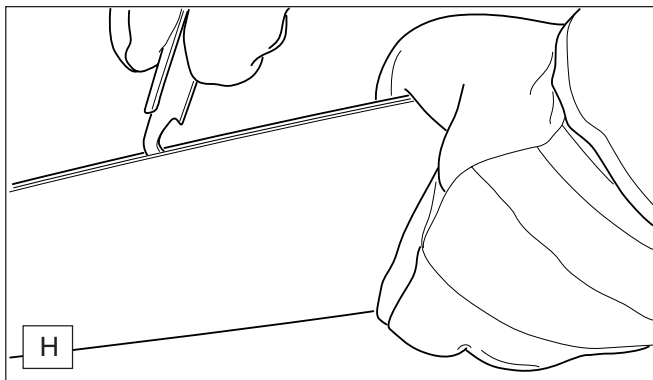
- The file holder makes file guidance easier. It is marked for the correct 30° sharpening angle (keep the marks parallel with the chain when filing, see illustration) and limits the cut depth to the correct 4/5 of the file diameter. See "Accessories" for the order number.



- After having sharpened the chain, the height of the depth limiter must be checked by means of a chain gauge. See "Accessories" for the order number.
- Correct even the smallest excess height with a special flat file (F). See "Accessories" for the order number.
- Round off the front of the depth limiter (G).

Cleaning the guide bar lubricating the sprocket nose

CAUTION:
Protective gloves must be worn.



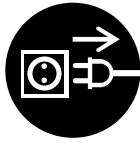
Regularly inspect the bearing surfaces of the guide bar for damage, and clean them with a suitable tool.

If the saw is used intensively it will be necessary to lubricate the return sprocket bearings regularly (once a week). To do this, first **thoroughly** clean the 2 mm hole at the tip of the guide bar, and then press in a small amount of multi-purpose grease.

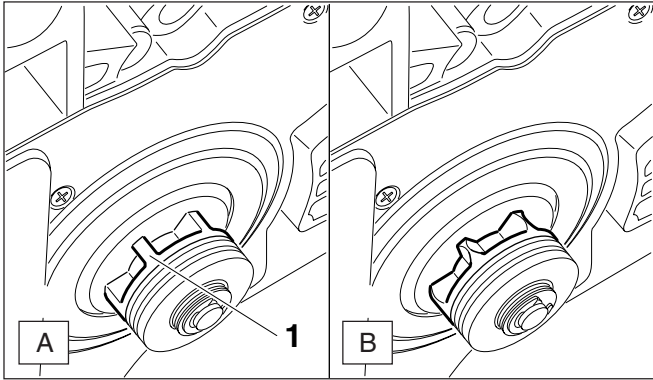
Multi-purpose grease and grease guns are available as accessories.

Multi-purpose grease	(order no. 944 360 000)
Grease gun	(order no. 944 350 000)

Replacing the saw chain



CAUTION: Use only chains and guide bars designed for this saw (see the Extract from the spare parts list)!



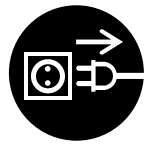
Check the sprocket (A/1) before mounting a new chain. The sprocket is located underneath the clutch drum (I/2).

CAUTION:

Worn out sprockets (B) may damage the new chain and must therefore be replaced.

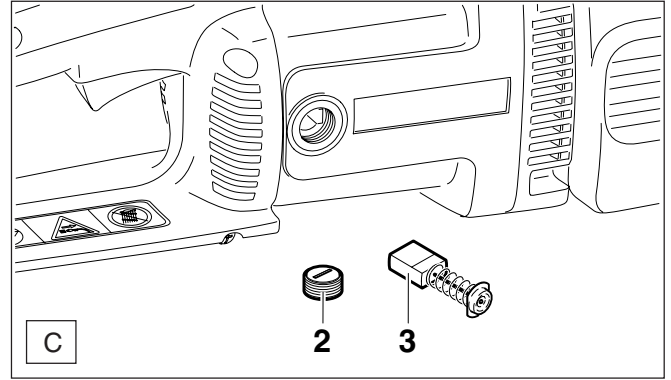
Do not attempt to replace the sprocket yourself. Sprocket replacement requires special training and tools and must be done at a DOLMAR service center.

Inspecting and replacing the carbon brushes



IMPORTANT:

Inspect the carbon brushes at regular intervals! A notch on the brush shows the limit of wear.



NOTE:

The carbon brush is very delicate, so be careful not to let it drop. **When taking it out, be sure to note the position it was installed in, since each brush is run in with the rotor.**

- Use the combination wrench to unscrew the cover (C/2), and then pull out the brush (C/3).
- If the wear limit has not yet been reached, put the brush back in the same position and screw the cover (C/2) back on.
- Run the saw briefly (about a minute) so the brushes can run in again.



To maintain product **SAFETY** and **RELIABILITY**, repairs, any other maintenance or adjustment should be performed by **DOLMAR** Authorized or Factory Service Centers, always using **DOLMAR** replacement parts.

Trouble shooting

Malfunction	System	Observation	Cause
Chain saw does not work	total	electric motor does not function	no power supply, cable defective chain brake actuated Mains fuse blown
insufficient performance	Carbon brushes	low pulling power	Carbon brushes worn down
no chain lubrication	Oil tank, oil pump	no oil on the saw chain	oil tank empty, oil guide groove dirty
Chain brake	Brake	Saw chain does not stop instantly	Brake band worn down

Instructions for periodic maintenance

To ensure long life, prevent damage and ensure the full functioning of the safety features the following maintenance must be performed regularly. Guarantee claims can be recognized only if this work is performed regularly and properly. Failure to perform the prescribed maintenance work can lead to accidents!

The user of the electric chain saw is not allowed to perform maintenance works which are not described in the instruction manual. All other works must be carried out by a DOLMAR service center.

			Page
General work	Electric chain saw Plastic case	Regularly clean the outside. Check for cracks and ruptures. In case of damage have it immediately repaired at a service center.	
	Saw chain	Resharpen regularly. Replace in time.	
	Guide bar	Turn over after a certain period of time so that the bearing surfaces are uniformly worn. Replace in time.	
	Sprocket Chain brake	Have it replaced in time at a service center. Have it inspected regularly at a service center.	
Each time before putting the saw into operation	Saw chain	Check for damage and sharpness. Check the chain tension.	14-15 9
	Guide bar	Check for damage, and remove burrs if necessary.	
	Chain lubrication	Functional check.	12
	Chain brake	Functional check.	12
	Power switch	Functional check.	11
	Power supply cable	In case of damage have it replaced at a service center.	
	Oil tank cap	Check for tightness.	
After each shutdown	Guide bar	Clean the oil inlet bore.	11
	Chain carrier	Clean, especially the oil guide groove.	15
Storage	Chain oil tank Saw chain/guide bar	Empty. Demount, clean and lubricate slightly. Clean the guide groove of the guide bar.	10
	Electric chain saw	Store safely in a dry place. After a long storage time, have the electric chain saw checked at a service center (residual oil can become resinic and the valve of the oil pump clogged).	

Service, spare parts and guarantee

Maintenance and repair

The maintenance and repair work of modern electric motors as well as all safety related assemblies require qualified technical training and the availability of a special workshop equipped with special tools and testing devices.

We therefore recommend you to consult a DOLMAR service center for the performance of all work not described in this instruction manual.

The DOLMAR service centers are provided with all the necessary equipment and skilled and experienced personnel to work out correct customer solutions and to advise you in all matters accordingly.

Please contact the general agent or importer indicated on the back cover of this Instruction Manual, who will gladly provide you with the address of your nearest DOLMAR service center.

Spare parts

A reliable and continuous operation as well as the safety of your chain saw is also subject to the quality of the spare parts used. Use original DOLMAR spare parts only, marked:



Only original spare parts and accessories guarantee the highest quality in material, dimensions, functioning and safety.

Original spare parts and accessories can be obtained from your local dealer. He will also have the relative spare part lists to determine the required spare part numbers, and will be constantly informed about the latest improvements and also about spare part innovations.

Please, take in mind that in the case that foreign spare parts are used instead of the original DOLMAR spare parts this will automatically invalidate the DOLMAR product guarantee.

Guarantee

DOLMAR guarantees the highest quality and will therefore reimburse all costs for mending through replacement of damaged parts as a result of material or production faults, which occur within the guarantee time after purchase.

Please, note that in some countries particular guarantee conditions may exist. In case of any doubts, please, contact your salesman who is responsible for the guarantee of the product.

We ask for your understanding that we cannot accept any responsibility for damage caused by:

- Disregard of the instruction manual.
- Non-performance of the required maintenance and cleaning instructions.
- Normal wear and tear.
- Obvious overload due to permanent excess of the upper limits of capacity.
- Use of guide bars and saw chains which have not been approved.
- Use of guide bar and saw chain lengths which have not been approved.
- Use of force, improper use, misuse or accidents.
- Damage caused by overheating due to dirt obstructing the cool air supply at the motor case.
- Use of unsuitable spare parts or parts which are not original DOLMAR parts, as far as they have caused the damage.
- Use of unsuitable or old oil.
- Damage related to conditions arising from lease or rent contracts.
- Works on the chain saw by unskilled persons or performance of inappropriate repairs.

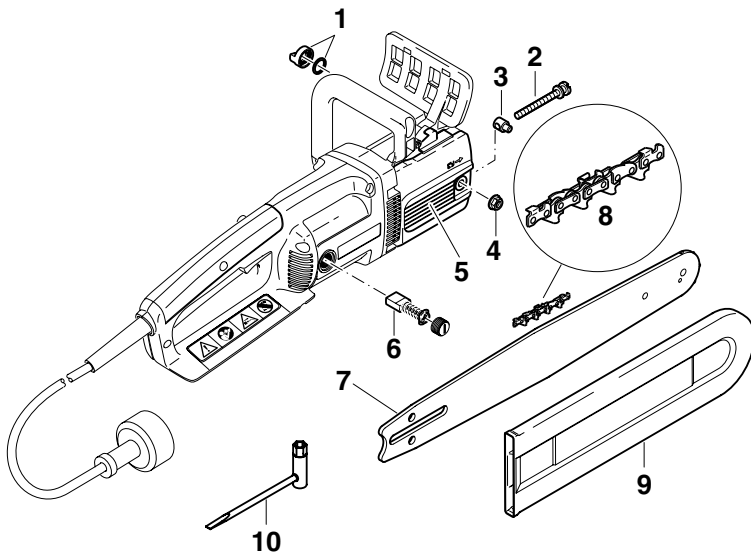
Cleaning, servicing and adjustment works are not covered by the guarantee. All repairs covered by the guarantee are to be performed by a DOLMAR service center.

Extract from the spare parts list

CAUTION: These accessories or attachments are recommended for use with your DOLMAR tool specified in this manual. The use of any other accessories or attachments might present a risk of injury to persons. The accessories or attachments should be used only in the proper and intended manner.

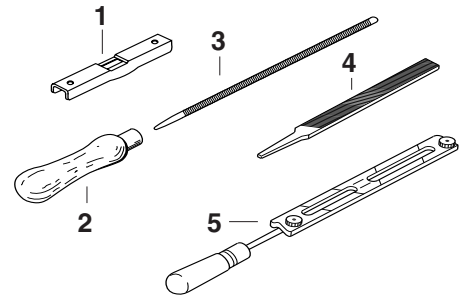


Included in the delivery inventory



Accessories

(not included in the delivery inventory)



Pos.	DOLMAR No.	Qty.	Denomination	151	161	171
1	205 114 203	1	Oil tank cap compl.	1	1	1
2	901 505 354	1	Screw for chain tightener	1	1	1
3	001 213 042	1	Nut with pin	1	1	1
4	923 208 004	1	Fastening nut	1	1	1
5	225 213 102	1	Sprocket guard	1	1	1
6	957 802 410	2	Carbon brushes	1	1	1
7	412 030 661	1	Sprocket nose bar 12" (30 cm)	1		
7	412 035 661	1	Sprocket nose bar 14" (35 cm)		1	
7	412 040 661	1	Sprocket nose bar 16" (40 cm)			1
8	528 091 046	1	Saw chain 3/8" for 12"	1		
8	528 091 052	1	Saw chain 3/8" for 14"		1	
8	528 091 056	1	Saw chain 3/8" for 16"			1
9	952 100 133	1	Chain protection cover (12"-16")	1	1	1
10	941 713 001	1	Universal wrench	1	1	1

Pos.	DOLMAR No.	Qty.	Denomination
1	953 100 090	1	Chain gauge 3/8"
2	953 004 010	1	File handle
3	953 003 090	1	Round file ø 4 mm
4	953 003 060	1	Flat file
5	953 030 010	1	File holder compl. 3/8"

Technical data

	ES-151	ES-161	ES-171
Chain type	091	091	091
Chain pitch inch	3/8"	3/8"	3/8"
Max. speed chain m/s	13.3	13.3	13.3
Length of a cut inch (cm)	12 (30)	14 (35)	16 (40)
Dimensions with bar and chain (length) inch (cm)	30.3 (77)	32.2 (82)	34.2 (87)
Weight (without bar/chain) kg	4.2	4.2	4.2

Space for notes

Nous vous remercions pour votre confiance!

Nous vous félicitons d'avoir choisi la nouvelle tronçonneuse électrique DOLMAR et nous sommes convaincus que cet outil moderne satisfera à vos exigences.

Les tronçonneuses électriques DOLMAR se caractérisent de moteurs robustes et puissants ainsi que d'une grande vitesse de chaîne garantissant ainsi une performance de tronçonnage excellente. Nos tronçonneuses électriques disposent d'un système de sécurité ample correspondant aux normes actuelles de la technique, elles sont légères, facilement maniables et prêtes à être utilisées à tout moment partout où un raccordement électrique est disponible.

Afin de toujours garantir un fonctionnement et une performance optimaux de votre nouvelle tronçonneuse électrique et afin d'assurer votre sécurité personnelle, nous vous prions de bien vouloir tenir compte du suivant:

Avant la première mise en marche veuillez lire attentivement les instructions d'emploi et respecter surtout les directives de sécurité! La non-observation de ces instructions risque d'entraîner des blessures mortelles!

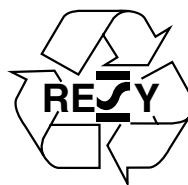


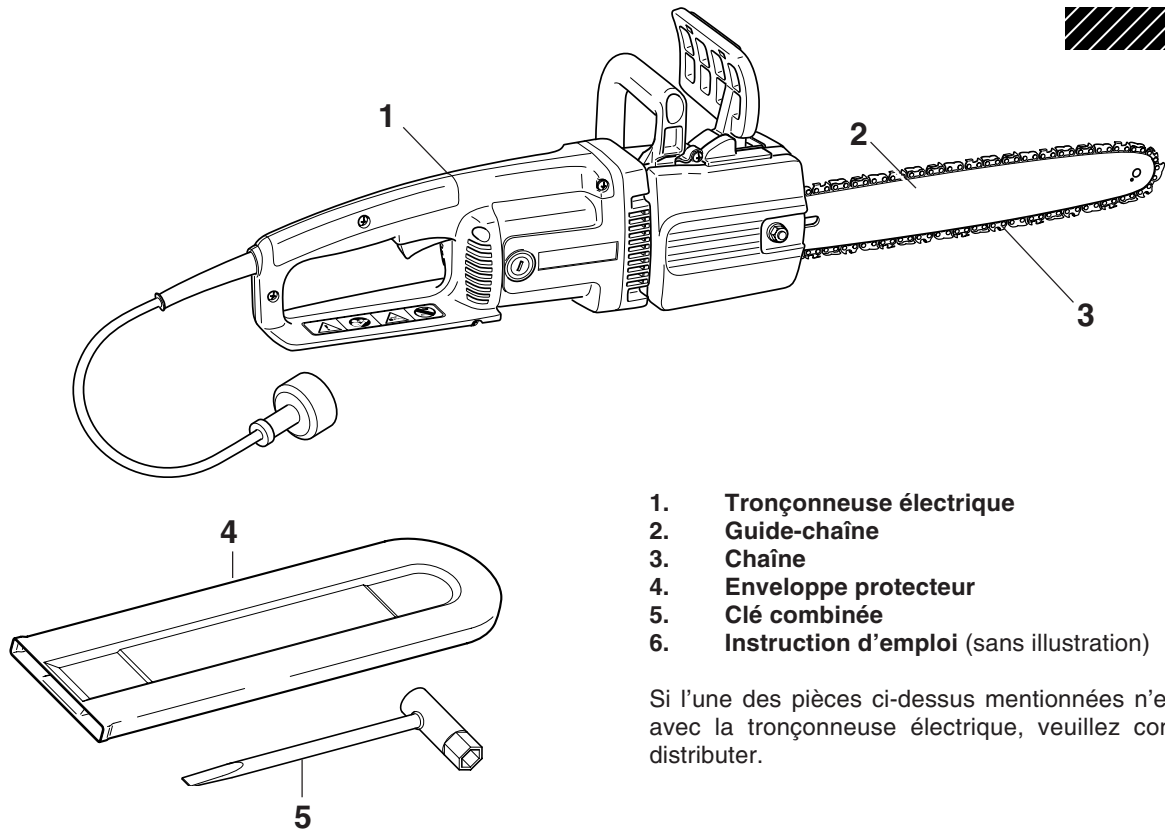
Table de matières	Page
Emballage	20
Livraison complète	21
Symboles	21
INSTRUCTIONS DE SÉCURITÉ	22-24
Utilisation du cordon prolongateur	24
Nomenclature des pièces de la tronçonneuse	25
MISE EN ROUTE	
Montage du guide-chaîne et de la chaîne	26
Tendre la chaîne de sciage	26
Contrôle de la tension de la chaîne	27
Frein de chaîne	27
Huile de chaînel	28
Remplir le réservoir d'huile	28-29
Mettre le moteur en marche	29
Maintenance de la tronçonneuse	29
Contrôle de la frein de chaîne	30
Vérifier la lubrification de la chaîne	30
Utilisation de la tronçonneuse	30-31
TRAVAUX DE MAINTENANCE	
Affûter la chaîne	32-33
Nettoyer le guide-chaîne / lubrifier l'étoile de renvoi	33
Nouvelle chaîne de sciage	34
Remplacer les balais de charbon	34
Recherche de pannes	34
Instructions d'entretien et de maintenance	
périodiques	35
Service après vente de l'atelier,	
pièces de rechange, garantie	35-36
Extrait de la liste des pièces de rechange	36
Accessoires	36
Caractéristiques techniques	37
Liste de service	38

Emballage

Votre tronçonneuse électrique DOLMAR est emballée dans une caisse en carton afin de la protéger contre des endommagements éventuels pendant le transport.

Les caisses en carton sont des matières premières. Ainsi elles peuvent être recyclées ou réintroduites dans le cycle des matières premières (recyclage de vieux papiers).





1. Tronçonneuse électrique
2. Guide-chaîne
3. Chaîne
4. Enveloppe protecteur
5. Clé combinée
6. Instruction d'emploi (sans illustration)

Si l'une des pièces ci-dessus mentionnées n'est pas livrée avec la tronçonneuse électrique, veuillez contacter votre distributeur.

Symboles

Vous rencontrerez les symboles suivants sur l'appareil et dans le manuel d'emploi:

	Lire instructions d'emploi et suivre les consignes de sécurité et d'avertissement!		Longueur de coupe maximale autorisée
	Recommandations particulières!		Porter des gants de protection!
	Porter le casque, les lunettes et acoustiques de protection!		AVERTISSEMENT: Pour réduire les risques de choc électrique, ne pas exposer la tronçonneuse à l'eau ou s'en servir sur un sol mouillé!
	Enlever la fiche de contact!		Sens de la chaîne de sciage
	Enlever la fiche de contact en cas d'endommagement du câble!		Double isolation
	Frein de chaîne desserré		L'huile de chaîne
	Frein de chaîne activé		Premiers secours
	Contrecoup (kickback)!		Recyclage
	Interdit!		

MESURES DE SECURITE IMPORTANTES

AVERTISSEMENT: RESPECTEZ EN TOUTE OCCASION LES MESURES DE SECURITE ELEMENTAIRES LORSQUE VOUS UTILISEZ UNE TRONÇONNEUSE ELECTRIQUE. CES PRECAUTIONS AIDERONT A REDUIRE LES RISQUES D'INCENDIE, DE CHOC ELECTRIQUE ET DE BLESSURE CORPORELLE. RESPECTEZ EGALEMENT LES INSTRUCTIONS SUIVANTES:

LISEZ ATTENTIVEMENT LES INSTRUCTIONS SUIVANTES (1)

- Maintenez la zone de travail propre et rangée

Le désordre est propice aux accidents. Ne commencez pas la coupe avant d'avoir dégagé la zone de travail, de vous être assuré une position stable au sol et d'avoir prévu une voie de repli vous permettant de vous retirer lorsque l'arbre s'abattrà.

- Tenez compte de l'environnement de travail

Soyez extrêmement prudent lorsque vous coupez des broussailles et des jeunes arbres de petites dimensions car du petit bois peut se prendre dans la chaîne de la tronçonneuse et être projeté vers vous ou vous tirer en vous faisant perdre l'équilibre. Ne travaillez jamais dans un arbre à moins d'y avoir été spécialement formé. Lorsque vous coupez des grosses branches qui forcent, faites attention à la détente pour ne pas être heurté lorsque la tension sur les fibres du bois se relâchera. N'exposez pas la tronçonneuse à la pluie (3). N'utilisez pas la tronçonneuse dans des lieux humides ou mouillés ou encore en présence de liquides ou de gaz inflammables.

- Préservez-vous des chocs électriques

Evitez le contact corporel avec les surfaces à la terre comme les tuyaux métalliques ou les clôtures.

- Eloignez les enfants

Interdisez à quiconque de toucher la tronçonneuse ou son cordon d'alimentation. Eloignez toute personne de votre zone de travail (4).

- Rangez convenablement la tronçonneuse lorsqu'elle ne fonctionne pas

Lorsqu'elle ne fonctionne pas, rangez la tronçonneuse en hauteur, hors de portée des enfants, dans un endroit sec et fermant à clé. Utilisez une housse ou une caisse de transport.

- Ne forcez pas sur la tronçonneuse

Elle remplira d'autant mieux son office qu'elle est utilisée conformément à ses spécifications.

- Utilisez les outils convenables

Coupez uniquement du bois. N'utilisez pas la tronçonneuse pour d'autres applications comme la découpe de plastique ou de matériaux de construction n'étant pas en bois.

- Portez une tenue appropriée

Ne portez aucun vêtement ample ni bijoux, ils pourraient être happés par les pièces en mouvement. Il est recommandé de porter des gants de caoutchouc et des chaussures antidérapantes si vous devez travailler à l'extérieur. Portez un couvre-chef pouvant contenir les cheveux longs.

- Utilisez des lunettes de protection

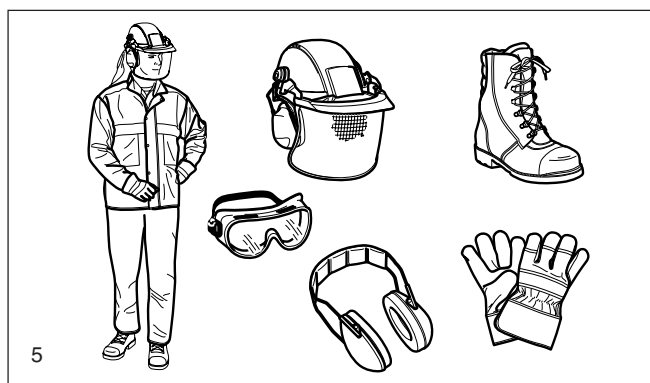
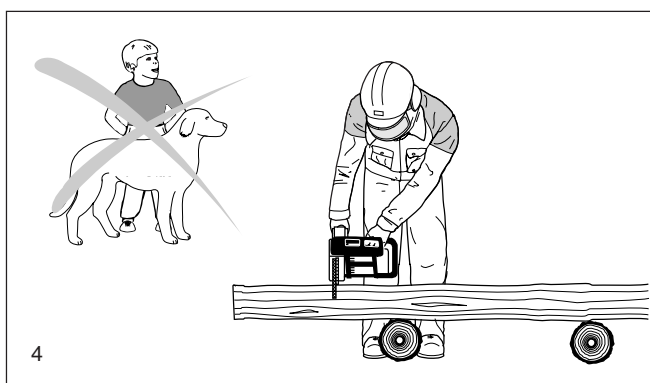
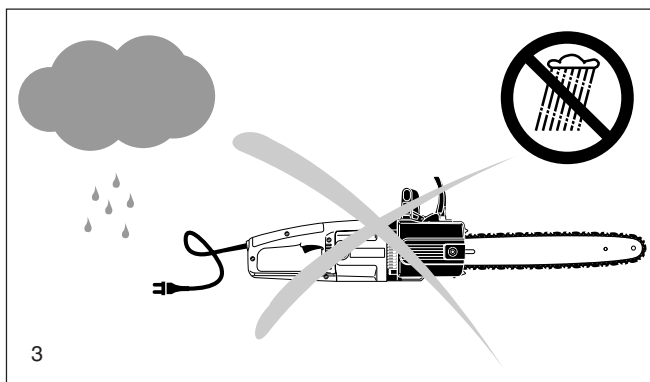
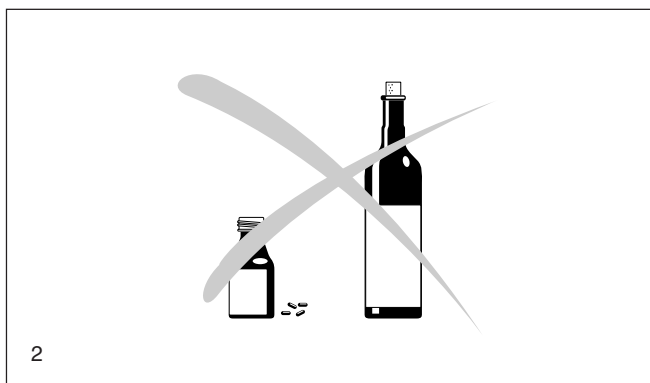
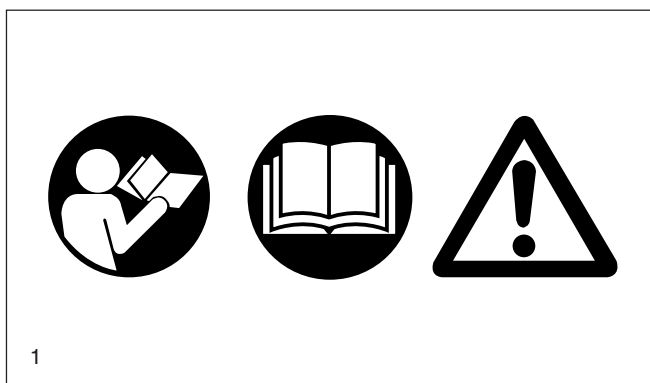
ainsi que des chaussures de sécurité, des vêtements près du corps, des gants de protection, des protections auditives et un casque de protection (5).

- Transport de la tronçonneuse

Transportez la tronçonneuse arrêtée en la tenant par la poignée avant, le doigt à l'écart de l'interrupteur, le guide et la chaîne orientés vers l'arrière et couverts par la protection.

- Entretenez avec soin votre tronçonneuse

Inspectez régulièrement les cordons électriques et faites-les réparer dans un point de service autorisé. Maintenez en permanence le cordon à l'écart de la chaîne et de



l'utilisateur. Ne transportez jamais la tronçonneuse en la tenant par le cordon. Ne tirez jamais sur le cordon pour retirer la prise du socle. Protégez les cordons de l'huile et des arêtes coupantes. Inspectez les cordons régulièrement et procédez à leur remplacement s'ils sont endommagés. Pour de meilleures performances, maintenez les outils propres et affûtés. Suivez les instructions de lubrification et de remplacement d'accessoires. Maintenez les poignées sèches et libres d'huile ou de graisse.

- **Débranchez la tronçonneuse**

Débranchez la tronçonneuse lorsqu'elle ne sert pas, avant de l'entretenir et pour procéder au remplacement d'accessoires ou de pièces comme la chaîne ou la protection (6).

- **Cordons d'alimentation pour utilisation en extérieur**

Utilisez exclusivement des cordons pour utilisation extérieure marqués en conséquence.

- **Restez vigilant**

Soyez conscient de vos actes. Faites preuve de bon sens. N'utilisez pas la tronçonneuse si vous êtes fatigué. Maintenez toutes les parties du corps à l'écart de la chaîne lorsque le moteur fonctionne. Avant de démarrer la tronçonneuse, assurez-vous que la chaîne n'est en contact avec aucun objet.

- **Vérifiez les pièces endommagées**

Avant de poursuivre l'utilisation de la tronçonneuse, vérifiez avec soin la protection ou toute autre pièce éventuellement endommagée pour vos assurer qu'elle fonctionnera convenablement et conformément à sa destination. Vérifiez que les pièces mobiles sont convenablement alignées, non tordues; assurez-vous également qu'aucune pièce n'est brisée et contrôlez les fixations, ainsi que toutes autres circonstances pouvant affecter le fonctionnement de la tronçonneuse. Une protection ou toute autre pièce endommagée doit être convenablement réparée ou remplacée par un centre de service autorisé, à moins que cela ne soit mentionné différemment dans le présent manuel. Faites remplacer les interrupteurs défaillants par un centre de service autorisé. N'utilisez pas la tronçonneuse si l'interrupteur ne permet plus de la démarrer et de l'arrêter. N'utilisez pas une tronçonneuse endommagée, mal réglée ou non assemblée complètement et de manière sûre (7). Assurez-vous que la tronçonneuse s'immobilise dès que la gâchette est relâchée.

- **Protégez-vous du choc de retour**

AVERTISSEMENT: le choc de recul peut se produire lorsque la pointe ou l'extrémité du guide touche un objet (8) ou lorsque le bois se referme et coince la chaîne dans la coupe. Le contact peut arrêter brutalement la chaîne et, dans certains cas, causer une réaction inverse extrêmement rapide, entraînant un déplacement du guide vers le haut et vers l'arrière en direction de l'utilisateur. L'une ou l'autre de ces réactions peut vous faire perdre le contrôle de la tronçonneuse et provoquer des blessures graves. L'utilisateur de la tronçonneuse emploiera les précautions suivantes pour minimiser le choc de recul:

- Lorsque le moteur tourne, tenez fermement la tronçonneuse et maintenez-la des deux mains (9). Tenez fermement les poignées de la tronçonneuse en les entourant avec le pouce et les autres doigts.

- Ne coupez pas en extension.

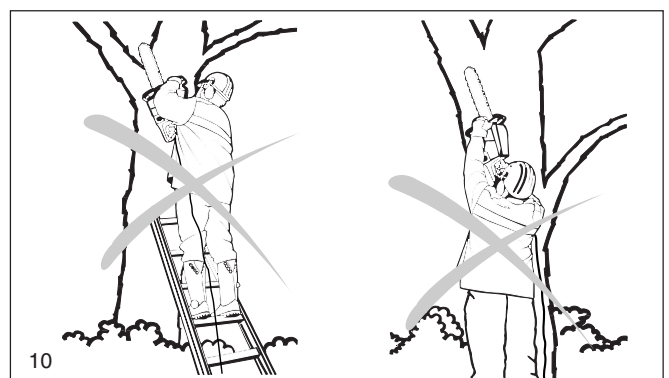
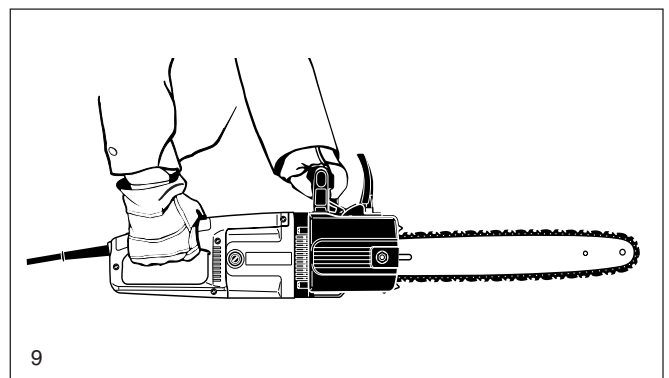
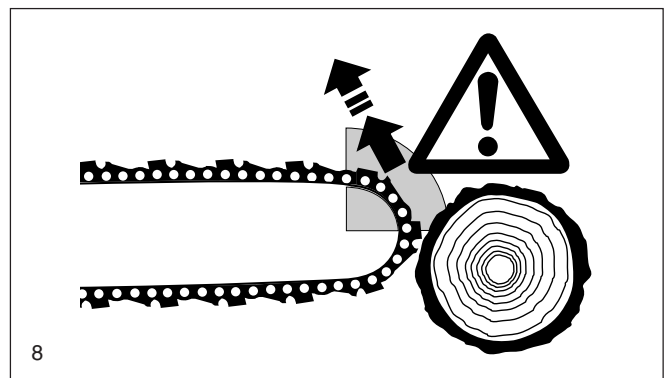
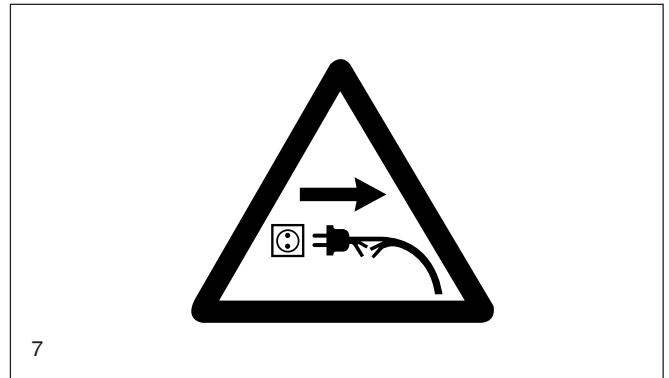
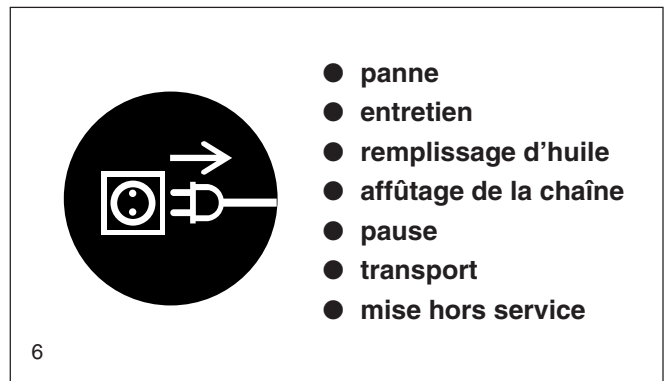
- Conservez à tout moment une position ferme et maintenez votre équilibre.

- Ne laissez pas la pointe du guide toucher le rondin, la branche, le sol ou tout autre obstacle.

- Ne coupez pas plus haut qu'à hauteur d'épaules (10).

- Utilisez des chaînes à faible effet de retour, ainsi que des freins et des guides spéciaux réduisant les risques associés à l'effet de retour.

- N'utilisez que les guides et les chaînes de remplacement spécifiés par le fabricant.



- Alimentation électrique

Connectez la tronçonneuse à une prise de voltage approprié. Assurez-vous que le voltage correspond aux indications de la plaque de type de l'outil (11).

- Pièces détachées

Pour l'entretien, utilisez exclusivement des pièces détachées identiques (11).

- Prises électriques polarisées

Pour réduire le risque de choc électrique, cet équipement possède une prise polarisée (l'une des fiches est plus large que l'autre). Ainsi, la prise ne pourra être introduite que dans un seul sens dans le socle correspondant. Si la prise ne pénètre pas dans le socle, tournez-la. En cas d'échec, contactez un électricien qualifié qui procédera à l'installation d'un socle adéquat. Ne modifiez en aucune manière la prise vous-même.

- Portez une protection auditive lorsque la tronçonneuse fonctionne.

- Avant de couper un arbre, retirez la saleté, les pierres, les morceaux d'écorce, ainsi que les clous, agrafes et fils de fer.

- Maintenez fermement le rondin de façon à ce qu'il ne roule pas ou se déplace subitement pendant la coupe.

- EVITEZ TOUTE MISE EN MARCHÉ INTÉMPÊSTIVE. Ne transportez pas la tronçonneuse en maintenant le doigt sur l'interrupteur lorsqu'elle est branchée. Assurez-vous que l'interrupteur est en position d'arrêt au moment de brancher la prise.

- Attention ! Maintenez cet outil à l'abri de la pluie (12) et retirez immédiatement la prise si le câble d'alimentation est endommagé ou sectionné (13).

- Ne laissez pas la tronçonneuse à l'extérieur en cas de pluie. N'utilisez pas la tronçonneuse si elle est mouillée.

REMARQUE IMPORTANTE SUR LE VOLTAGE:

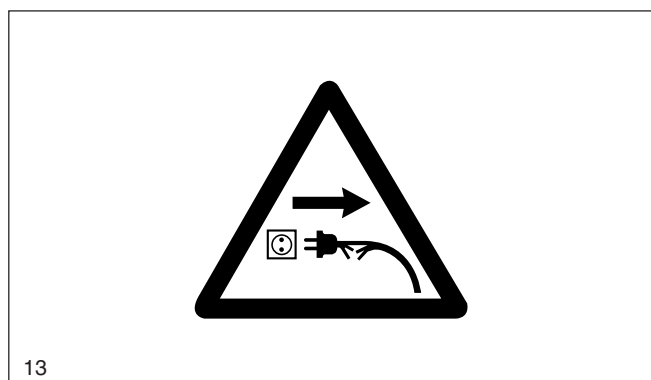
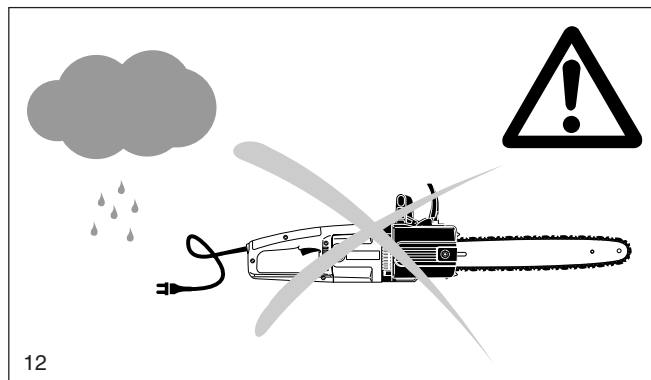
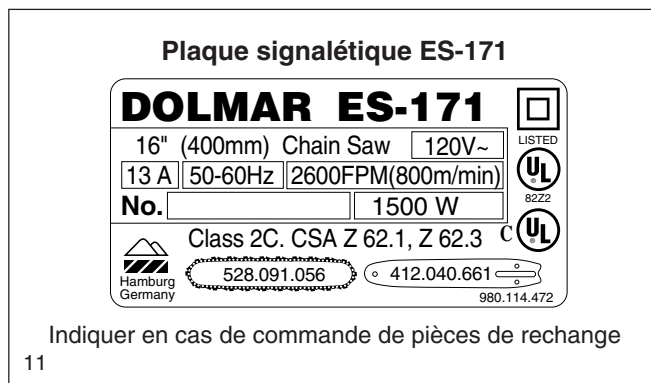
Avant de connecter l'outil à une alimentation électrique (socle, etc.), assurez-vous que le voltage délivré coïncide avec les spécification mentionnées sur la plaque signalétique de l'outil. L'utilisateur peut subir des BLESSURES GRAVES si le voltage de la source d'énergie est supérieur au voltage spécifié sur l'outil. En cas de doute, NE BRANCHEZ PAS L'OUTIL. Un voltage inférieur à la mention de la plaque signalétique est sans conséquence pour le moteur.

Utilisation du cordon prolongateur

Si le cordon prolongateur est destiné à être utilisé en extérieur, le marquage de sa désignation de type devra comporter le suffixe W-A. Par exemple, SJTW-A indique que le cordon peut être utilisé en extérieur. Utilisez un cordon de section conforme aux besoins de la tronçonneuse. Un cordon de dimensions insuffisantes a pour effet d'abaisser le voltage en raison de la chute de puissance et de la surchauffe. Avant de commencer le travail, assurez-vous que le cordon prolongateur est en bon état. Eloignez le cordon de la zone de travail et placez-le de façon à ce qu'il ne se prenne pas dans les branchages etc. pendant la coupe. Le tableau ci-contre vous aidera à déterminer les dimensions du cordon dont vous aurez besoin.

Contactez un centre de service DOLMAR autorisé si vous ne parvenez pas à trouver le prolongateur adéquat.

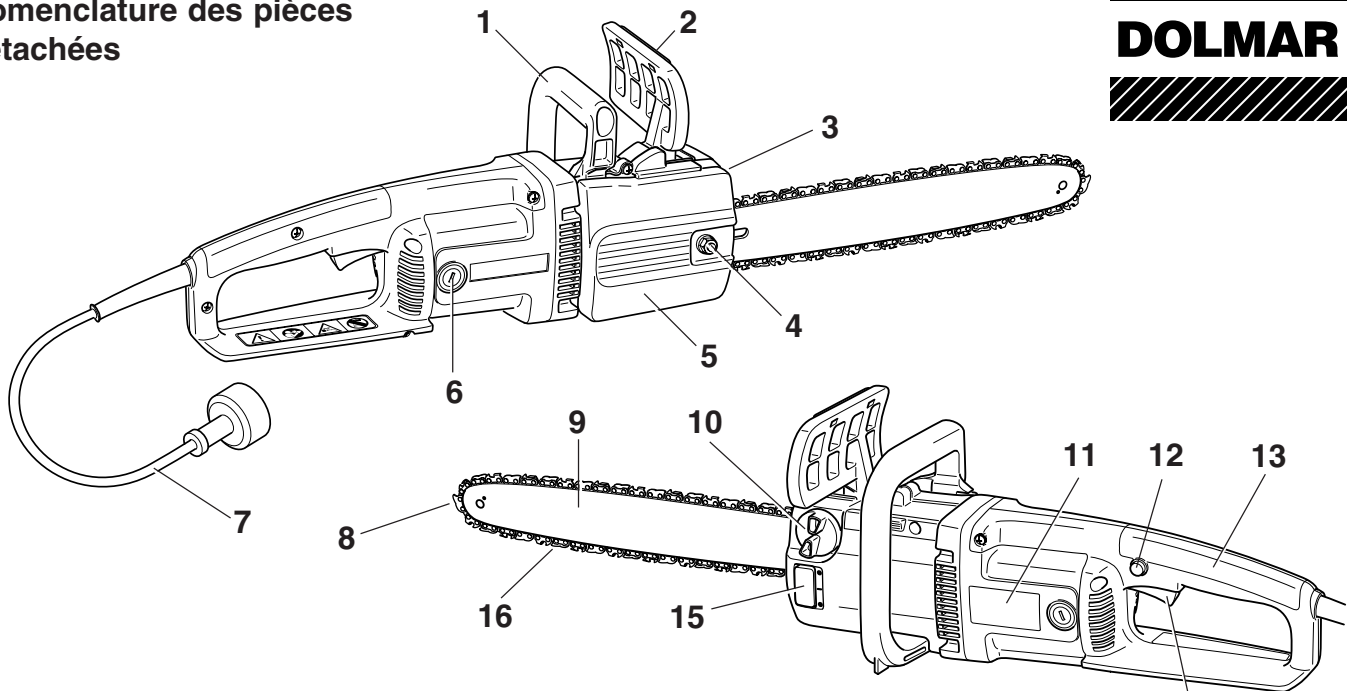
CONSERVEZ AVEC SOIN CES INSTRUCTIONS !



Ampérage (sur plaque de type)	0-5.0	5.1-10.0	10.1-13.0	13.1-15.0
Longueur du prolongateur	Taille de conducteur (American Wire Gauge)			
25 Ft.	18	18	16	14
50 Ft.	18	16	16	14
75 Ft.	18	16	14	14
100 Ft.	16	14	12	12
125 Ft.	16	12	12	12
150 Ft.	16	12	12	-

Nomenclature des pièces détachées

DOLMAR



- | | |
|-----------------------------------|--|
| 1 Poignée avant | 9 Guide-chaîne |
| 2 Protection de la poignée avant | 10 Capot de fermeture pour réservoir d'huile |
| 3 Barre dentée | 11 Plaque signalétique |
| 4 Erou de fixation | 12 Bouton de blocage |
| 5 Protection de la roue à chaîne | 13 Poignée arrière |
| 6 Couvercle pour charbons de bois | 14 Interrupteur de mise en marche/d'arrêt |
| 7 Câble | 15 Cadran indiquant le niveau d'huile |
| 8 Avant du guide | 16 Chaîne |

Abattage: opération consistant à couper un arbre.

Bouton de blocage: un dispositif de blocage mobile prévenant la sollicitation intempestive de l'interrupteur jusqu'à ce qu'il soit manuellement actionné.

Chaîne à faible effet de retour: un chaîne de tronçonneuse conforme aux exigences ANSI B175.1 testée parmi un échantillon représentatif de chaînes de tronçonneuse.

Chaîne de remplacement: une chaîne conforme aux exigences ANSI B175.1 en matière de retour; performances démontrées en test avec des chaînes de tronçonneuse spécifiques. Elle pourrait ne pas satisfaire aux exigences ANSI si elle est utilisée sur une autre tronçonneuse.

Chaîne de tronçonneuse: une chaîne possédant des dents de coupe pour le sciage du bois. La chaîne, qui repose sur le guide, est entraînée par le moteur.

Corps de tronçonneuse: une tronçonneuse sans sa chaîne et son guide.

Coupe d'abattage: la coupe finale d'abattage pratiquée de l'autre côté de l'encoche d'abattage.

Débitage: opération consistant à découper à longueur un arbre ou un rondin.

Embrayage: un mécanisme dont la fonction est de connecter ou déconnecter un organe entraîné d'une source de puissance rotative.

Encoche: une coupe pratiquée dans le tronc pour orienter le sens de chute de celui-ci.

Frein de chaîne: un dispositif destiné à arrêter la chaîne de la tronçonneuse.

Guide à faible effet de retour: un guide-chaîne dont il est démontré qu'il réduit de manière significative l'effet de retour.

Guide-chaîne: une pièce robuste munie d'une gorge servant à supporter et à guider la chaîne.

Huileur: un dispositif dont la fonction est de lubrifier le guide et la chaîne de la tronçonneuse.

Interrupteur: un dispositif qui, selon sa sollicitation, établit ou coupe l'alimentation électrique du moteur de la tronçonneuse.

Poignée arrière: la poignée de soutien située à l'arrière de la tronçonneuse.

Poignée avant: la poignée de maintien située à l'avant de la tronçonneuse.

Position normale de coupe: les positions adoptées pendant les opérations de débitage et d'abattage.

Protection de la poignée avant: barrière structurale située entre la poignée avant de la tronçonneuse et le guide de chaîne. Cette protection est généralement placée à proximité de l'emplacement de la main sur la poignée avant et est parfois employée comme levier de déclenchement du frein de chaîne.

Retour: le mouvement du guide de chaîne vers le bas, vers le haut ou dans les deux sens, lorsque la chaîne entre en contact, à la pointe du guide, avec un objet comme un rondin ou une branche, ou lorsque le bois se resserre sur la chaîne et la pince.

Retour, pincement: le mouvement rapide de retour de la tronçonneuse pouvant se produire lorsque le bois se resserre et pince la chaîne en mouvement dans la coupe.

Retour, rotation: le mouvement rapide vers le haut et vers le bas de la tronçonneuse pouvant se produire lorsque la chaîne en mouvement entre en contact avec un objet, rondin ou branche, près de la portion supérieure du guide-chaîne.

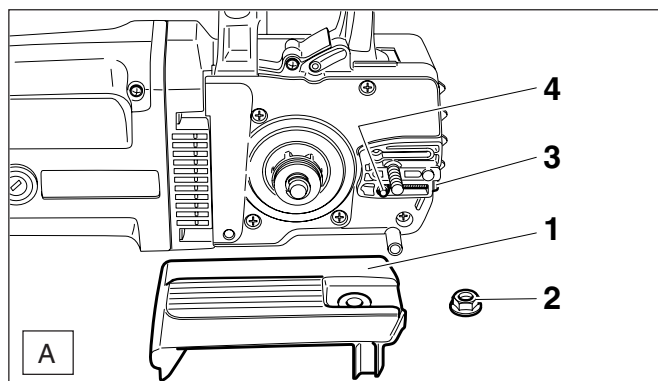
Rive dentée (griffes): dents ou griffes utilisées pendant le débitage ou l'abattage pour faire pivoter la tronçonneuse et maintenir la position.

Roue d'entraînement ou roue à chaîne: pièce dentée qui entraîne la chaîne de sciage.

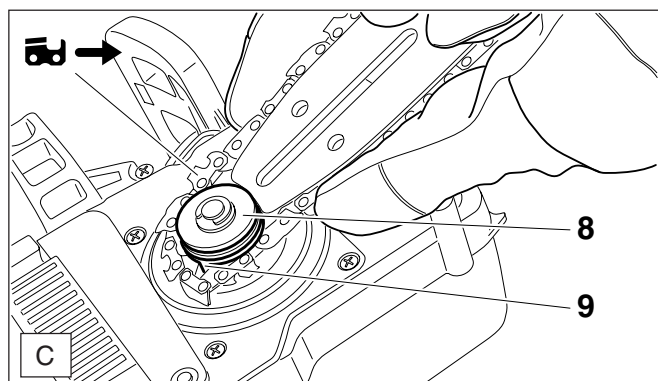
MISE EN ROUTE

Montage du guide-chaîne et de la chaîne

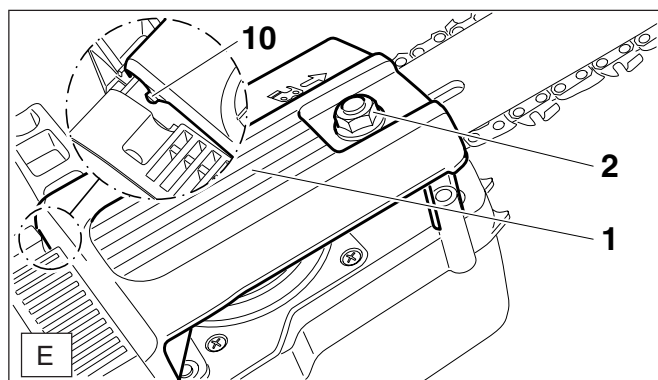
Utiliser la clé combinée livrée avec la tronçonneuse électrique.
Poser la tronçonneuse électrique sur un support stable et procéder de la façon suivante pour monter la chaîne et le guide-chaîne:



- Dévisser l'écrou de fixation (A/2).
- Retirer la protection de la roue à chaîne (A/1).
- Tourner la vis de serrage de la chaîne (A/3) dans le sens contraire des aiguilles jusqu'à ce que le tourillon (A/4) se trouve face à la butée de gauche.



- Enrouler la chaîne sur la roue à chaîne (C/8) et la tirer dans la denture (C/9).

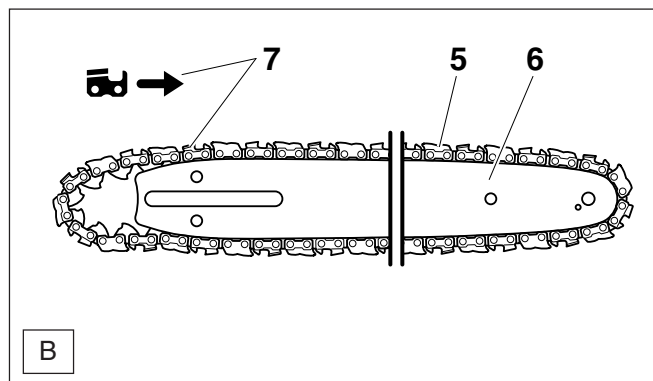


- En posant la protection de la roue à chaîne (E/1), veiller à ce que nez (E/10) de la protection de la roue à chaîne se prenne dans le logement (voir photo agrandie).
- Serrer légèrement l'écrou de fixation (E/2) à la main.

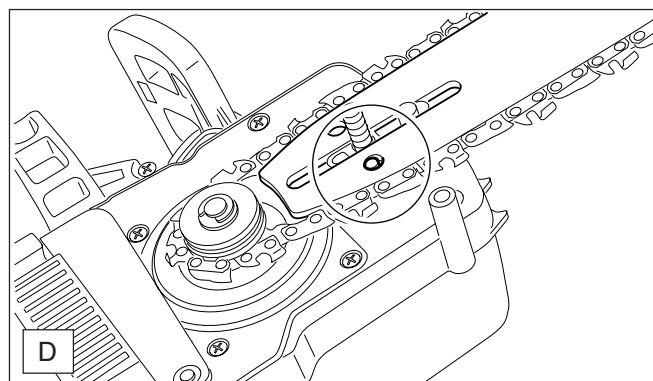


ATTENTION: Porter obligatoirement des gants de protections pour tous les travaux à la chaîne et au guide-chaîne. Enlever la fiche de contact.

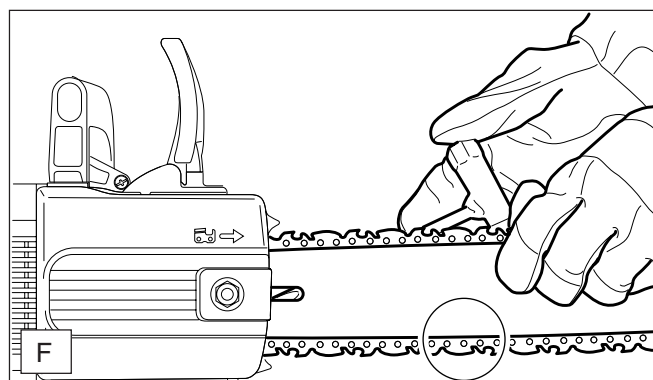
ATTENTION: La tronçonneuse électrique ne peut être démarrée qu'après le montage complet et le contrôle effectué!



- Poser la chaîne (B/5) sur le guide-chaîne (B/6).
- Les dents de rabotage (B/7) sur la partie supérieure du guide-chaîne doivent être tournées dans le sens de la flèche.



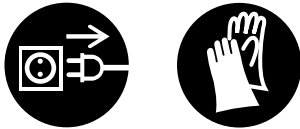
- Monter le guide-chaîne. Veillez à ce que le tourillon (A/4) du tendeur de la chaîne pénètre dans le trou (voir cercle) du guide-chaîne.



Tendre la chaîne de sciage

- Relever légèrement la pointe du guide-chaîne de sciage et tourner la vis de tension de la chaîne (A/3) vers la droite (dans le sens des aiguilles d'une montre) jusqu'à ce que la chaîne s'applique sur la face inférieure du rail (voir cercle).
- Continuer à relever la pointe du guide-chaîne et bloquer les écrous de fixation (E/2) avec la clé combinée.

Contrôle de la tension de la chaîne



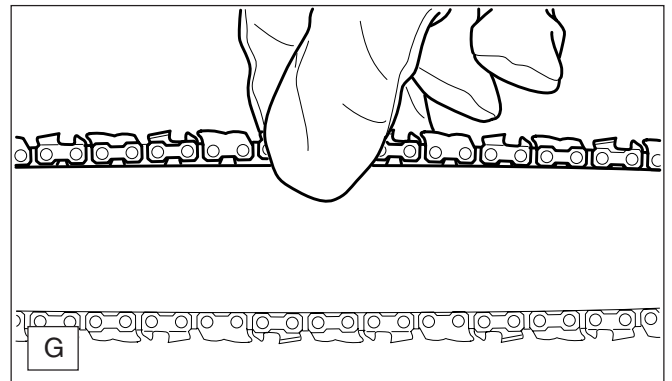
La tension correcte de la chaîne est alors garantie si la chaîne repose bien sur la partie inférieure du guide-chaîne et peut être soulevée de 5 mm env. du guide-chaîne à la main.

Contrôler fréquemment la tension de la chaîne, les chaînes neuves ayant tendance à s'allonger!
Pour cela, vérifier souvent la tension de la chaîne avec le **moteur en arrêt** et la **fiche de contact étant enlevée**.

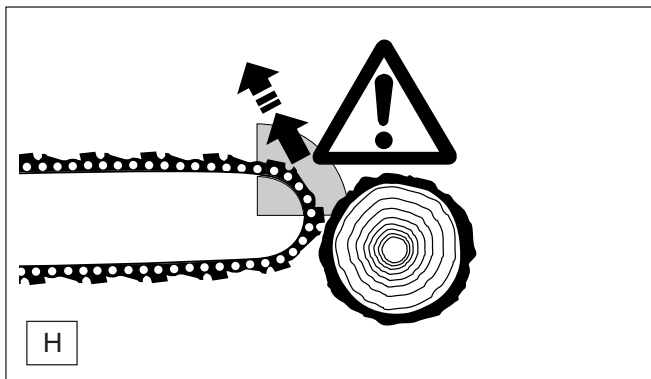
CONSEIL PRATIQUE:

Utiliser 2 ou 3 chaînes en alternance de manière à ce que la chaîne, la roue à chaîne et les surfaces de roulement du guide-chaîne s'usent régulièrement.

Pour atteindre une usure régulière des rails, on devra retourner le guide-chaîne lors du changement de la chaîne.

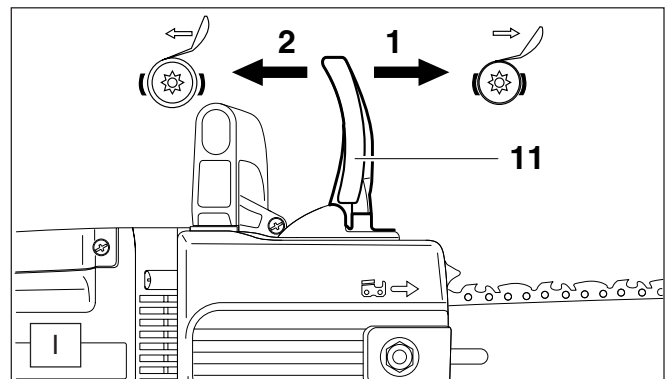


Frein de chaîne



La tronçonneuse ES-151, ES-161 et ES-171 est équipée en série d'un frein de chaîne à déclenchement d'accélération. Si un contrecoup se produit (kickback), dû à un heurt de la pointe du guide contre le bois (voir chapitre «CONSIGNES DE SECURITE» à la page 23), le frein de chaîne se déclenche automatiquement en cas de contrecoup suffisamment fort par inertie de masse.

La chaîne de sciage est interrompue pendant une fraction de seconde.



Enclencher le frein de chaîne (bloquer)

Lors d'un choc de recul, la rapide accélération du guide-chaîne et l'inertie de la masse du protège-main (I/11) provoquent l'enclenchement **automatique** du frein de chaîne.

Lors d'un enclenchement **manuel** le protège-main (I/11) est poussé par la main gauche en direction de la pointe du guide-chaîne (flèche 1).

Libérer le frein à main

Tirer le protège-main (I/11) en direction de la poignée en étrier (flèche 2) jusqu'à son enclenchement. Le frein à frein est libéré.

REMARQUE:

Lorsque le frein de chaîne est actionné l'arrivée du courant au moteur s'interrompt. Le contrôle du frein de chaîne est décrit à la page 29.

Entretien du frein de chaîne et du frein de ralentissement

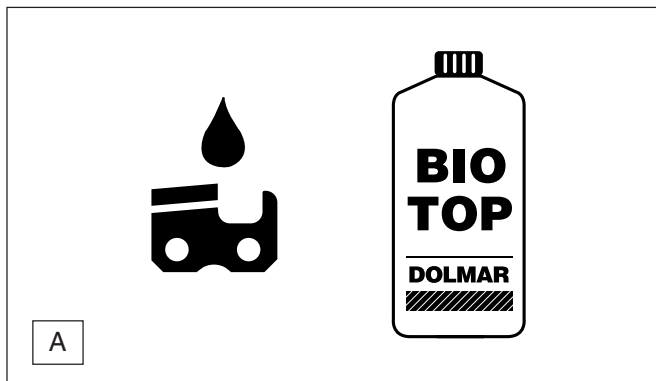
DOLMAR



SERVICE

Les systèmes de freinage sont des dispositifs de sécurité très importants et sont, comme toute pièce, soumis à une certaine usure. Un contrôle et entretien régulier sont destinés à votre sécurité personnelle et peuvent être effectués par un atelier spécialisé DOLMAR.

Huile de chaîne



Utiliser une huile de chaîne contenant un agent adhésif pour lubrifier la chaîne et le guide-chaîne. Cet agent adhésif évite que l'huile soit jetée trop vite du dispositif de tronçonnage.

N'utilisez pas de pétroles. Pour protéger l'environnement, l'utilisation d'huile biodégradable est prescrite.

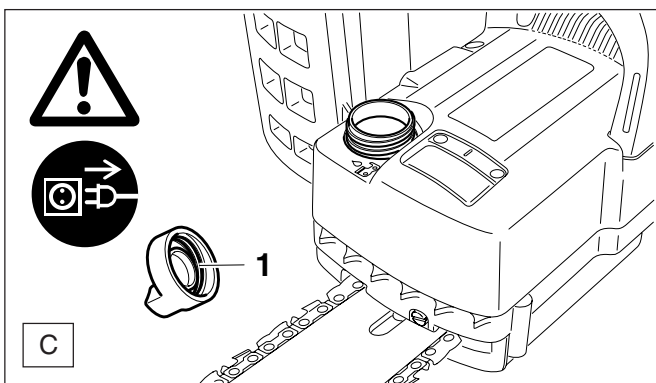
L'huile BIOTOP offerte par DOLMAR est produite à base d'huiles végétales de première qualité et est biodégradable à 100 %. BIOTOP a reçu „L'Ange Bleu“ (RAL UZ 48). (Étiquette donnée par les autorités allemandes à tous les produits favorables à l'environnement)

L'huile de chaîne biodégradable ne se conserve qu'un temps limité et devrait être utilisée dans un délai de 2 ans après la date de fabrication imprimée sur l'emballage.

L'huile de chaîne BIOTOP est vendue dans les quantités indiquées ci-dessous dépendant de la consommation:

1 litre	no. de commande 980 008 210
5 litres	no. de commande 980 008 211
20 litres	no. de commande 980 008 213

Remplir le réservoir d'huile



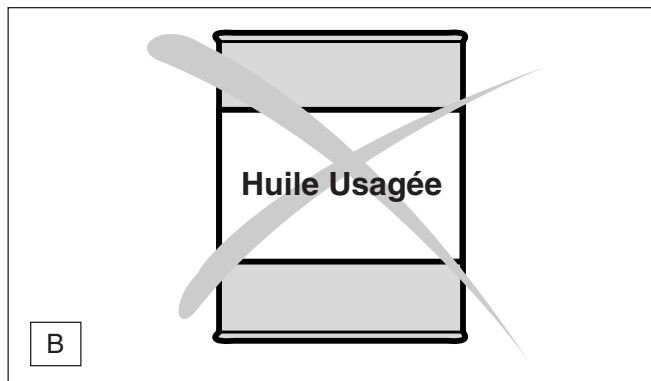
Remplir le réservoir d'huile seulement lorsque le moteur est en arrêt et lorsque la fiche de contact est débranchée!

- Afin d'éviter l'introduction d'impuretés dans le réservoir d'huile nettoyez soigneusement l'endroit à proximité du capot de fermeture.
- Dévisser le capot de fermeture (C/1) et remplir le réservoir d'huile jusqu'au bord inférieur de la tubulure de remplissage.
- Bloquer le capot de fermeture à nouveau.
- Le cas échéant essuyer l'huile ayant débordée.

Remarque Importante!

Lors de la première mise en service, le système de conduite d'huile doit être d'abord rempli entièrement jusqu'à ce que l'huile de chaîne de sciage graisse le dispositif de sciage.

Cette opération peut durer jusqu'à deux minutes.



L'huile usée est fortement nuisible à l'environnement!

Les huiles usées ont un grand pourcentage de substances dont les effets cancérigènes ont été prouvés.

Les impuretés dans l'huile usée entraînent une grande usure à la pompe à huile et au dispositif de tronçonnage.

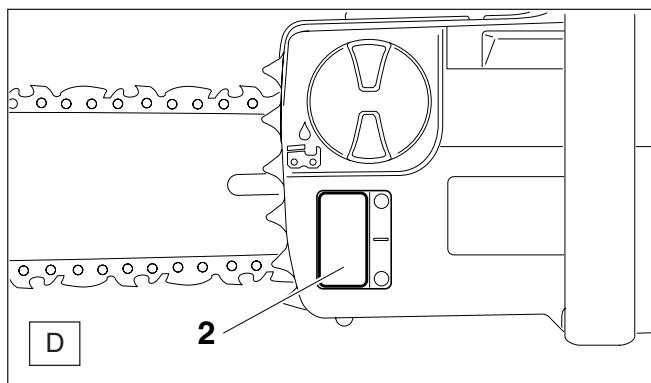
La garantie ne couvre pas les dommages dus à l'utilisation d'huile usée ou d'une huile de chaîne inappropriée.

Votre distributeur qualifié vous informera sur l'utilisation correcte de l'huile de chaîne.

Éviter le contact avec la peau et les yeux

Les produits pétroliers, et aussi les huiles, dégraissent la peau. Après un contact répété ou d'une longue durée avec ces produits, la peau dessèche. Ceci peut mener à de différentes maladies de peau. En outre, des réactions allergiques sont connues.

Lorsque l'huile entre en contact avec les yeux des irritations se manifestent. Dans ce cas rincer immédiatement l'œil avec de l'eau propre. Si l'irritation persiste, consulter immédiatement un médecin.



- Le niveau de remplissage est indiqué dans le cadran (H/14).

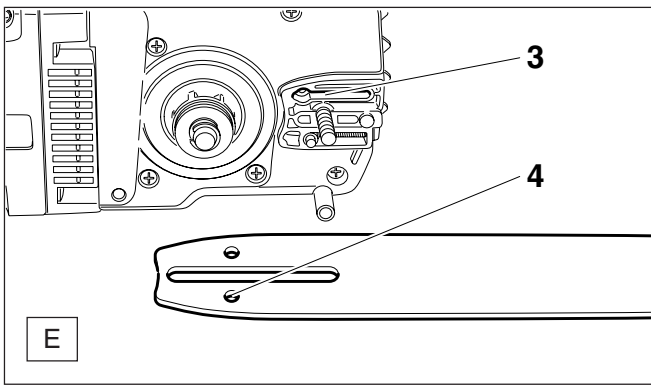
Lubrification de la chaîne

Afin de lubrifier la chaîne d'une façon suffisante il doit se trouver toujours assez d'huile dans le réservoir. La quantité maximale du réservoir (120 ml) est suffisante pour un fonctionnement continu d'environ 1/2 heure.

Remarque Importante pour les huiles de chaîne de sciage bio

Avant une longue mise hors service, le réservoir à huile doit être vidé et rempli ensuite d'un peu d'**huile moteur** (SAE 30). Ensuite, faire marcher la scie électrique pendant quelques temps de manière à rincer les restes d'huile bio du réservoir, du système de conduite d'huile et du dispositif de sciage. Cette mesure est indispensable car différentes huiles bio ont tendance à coller ce qui peut détériorer la pompe à huile ou des éléments d'alimentation d'huile.

Pour une remise en marche, remplir à nouveau de l'huile pour chaîne de scie BIOTOP.



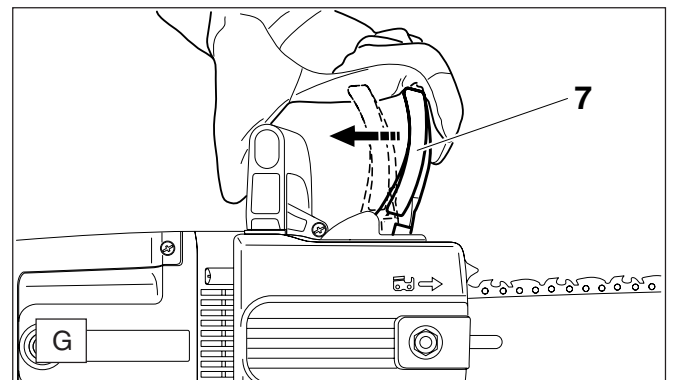
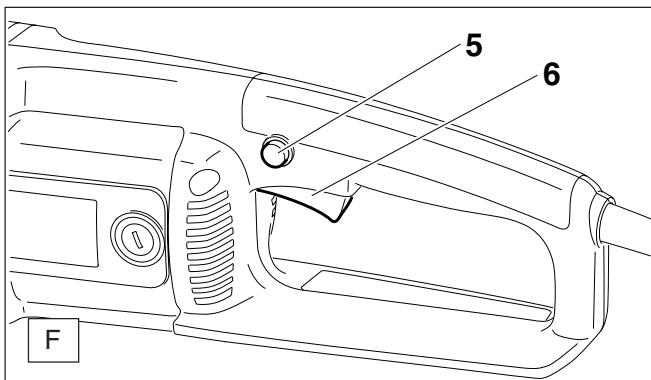
Afin d'assurer le bon fonctionnement de la pompe à huile, la rainure de guidage d'huile (E/3) ainsi que le perçage d'entrée d'huile dans le guide-chaîne (E/4) doivent être nettoyés régulièrement.

Remarque:

Après la mise hors service de la tronçonneuse, il est normal que de petites quantités d'huile de chaîne restant encore dans le système de conduite d'huile et sur le guide s'écoulent encore un certain temps. Il ne s'agit pas d'un défaut dans ce cas.

Utiliser un support adéquat!

Mettre le moteur en marche   



- Brancher la tronçonneuse
- **Lorsque la tronçonneuse électrique est mise en marche, il faut la tenir par les deux mains.** La main droite doit tenir la poignée arrière, la main gauche la poignée tubulaire. Empoigner les poignées fermement avec les pouces. Le guide-chaîne et la chaîne ne doivent pas être en contact avec d'autres objets.
- D'abord appuyer sur le bouton de blocage (F/5), puis appuyer sur l'interrupteur de mise en marche/d'arrêt (F/6) et relâcher le bouton de blocage (F/5).
- **Attention: La chaîne se met immédiatement en marche!** Tenir l'interrupteur de mise en marche/d'arrêt en position enfoncée aussi longtemps que le moteur doit être mise en marche.

ATTENTION:

Il est interdit de fixer l'interrupteur de mise en marche/d'arrêt en position de mise en marche!

Arrêter le moteur:


- Relâcher l'interrupteur de mise en marche/d'arrêt (F/6).

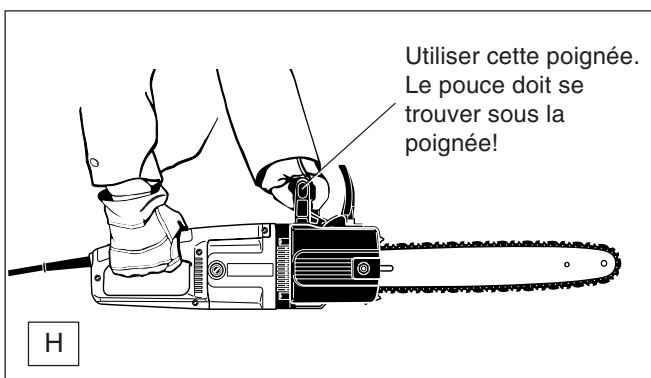
REMARQUE:

Si le frein de chaîne est actionné, l'arrivée du courant au moteur s'interrompt.

Si la tronçonneuse ne démarre pas à la pression du bouton marche/d'arrêt (F/6), le frein à chaîne doit être desserré.

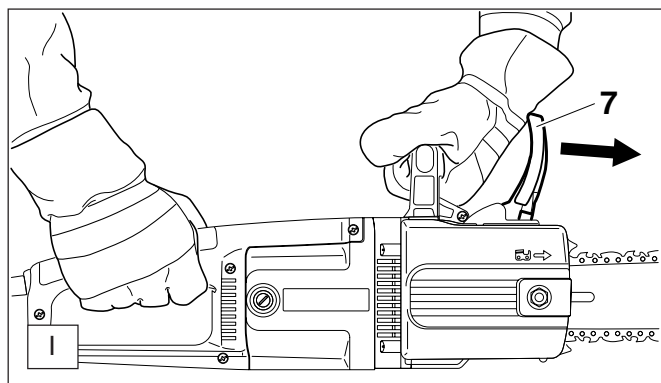
- Tirez le protège-mains (G/7) d'un coup sec dans le sens de la flèche jusqu'à ce que vous l'entendez s'enclencher.

Maintien de la tronçonneuse   

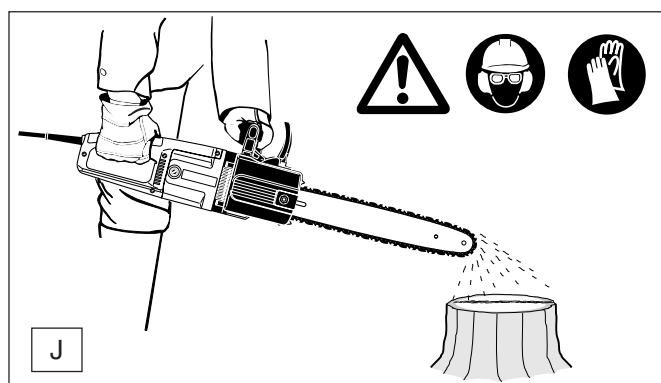


Toujours empoigner fermement chaque poignée. Le pouce et les doigts enserrant la poignée comme indiqué ci-dessus dans la Fig. H.

Contrôle de la frein de chaîne



Vérifier la lubrification de la chaîne



Utilisation de la tronçonneuse

Adoptez en toute occasion une position stable et maintenez la tronçonneuse fermement des deux mains pendant que le moteur tourne.

Abattage d'un arbre

Si deux personnes ou plus effectuent simultanément des opérations d'abattage et de débitage, maintenez une distance égale à au moins le double de la hauteur de l'arbre à abattre entre la zone d'abattage et la zone de débitage. Pendant l'abattage, évitez toute circonstance de nature à présenter un danger pour les personnes, entraîner la chute de l'arbre sur une ligne électrique ou causer des dommages matériels. Si l'arbre tombe sur une ligne électrique, informez immédiatement la compagnie d'électricité.

Sur un terrain en pente, l'utilisateur de la tronçonneuse se maintiendra au-dessus de l'arbre car une fois abattu, celui-ci pourrait rouler ou glisser.

Prévoir et dégager si nécessaire une voie de repli avant de procéder à l'abattage. Cette voie doit être opposée à la direction prévue de la chute de l'arbre et présenter un angle comme indiqué sur la Fig. A. La prochaine zone d'abattage sera située à au moins 2 longueurs d'arbre.

Avant de débiter l'abattage, examinez l'apparence de l'arbre, recherchez l'emplacement des grosses branches et appréciez le sens du vent afin d'évaluer le sens de chute. Retirez la saleté, les pierres, les écorces, clous, agrafes et fils de fer avant de débiter l'abattage.

Encoche d'abattage

Faites une coupe de 1/3 du diamètre de l'arbre, perpendiculairement au sens de chute de celui-ci (Fig. B). Commencez par la coupe inférieure afin d'éviter le pincement de la chaîne ou du guide lorsque vous attaquez la seconde coupe.

Le frein de chaîne doit être vérifié avant de commencer tous travaux.

- Démarrer le moteur comme décrit (prendre une position stable et poser la tronçonneuse sur le sol de façon à ce que le dispositif de sciage soit libre).
- Bien tanier la poignée-étrier d'une main, l'autre main étant sur la manette.
- Démarrer le moteur et appuyer sur le protège-mains (1/7) avec le dos de la main dans la sens de la flèche jusqu'à ce que le frein de chaîne se bloque. La chaîne de sciage doit immédiatement s'immobiliser.
- Arrêter immédiatement le moteur au ralenti et redesserrer le frein de chaîne.

Attention: Si la chaîne ne s'arrête pas immédiatement lors de ce contrôle, il est strictement interdit de commencer à travailler. Contrôler le frein de ralentissement. Prière de consulter un atelier spécialisé DOLMAR.

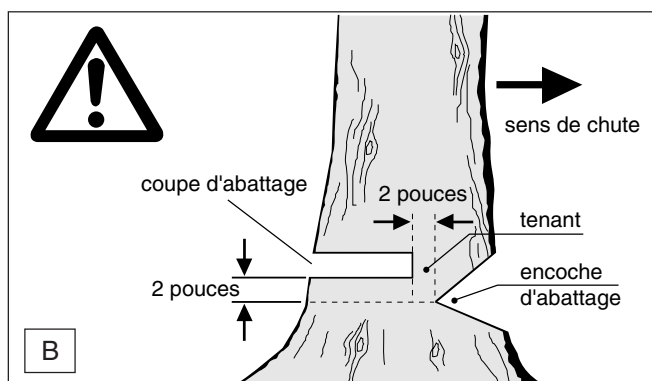
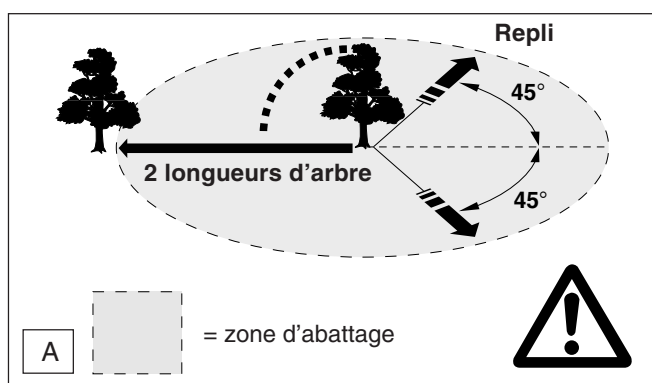
Ne jamais tronçonner avec une lubrification de la chaîne insuffisante. Cela diminue la longévité du dispositif de tronçonnage!

Avant de commencer à travailler vérifier la quantité d'huile dans le réservoir et le refoulement d'huile.

Ce contrôle du refoulement d'huile peut s'effectuer de la façon suivante:

- mettre la tronçonneuse électrique en marche
- tenir la chaîne tournant à environ 6" (15 cm) au-dessus d'une souche d'arbre ou du sol (utiliser un support approprié).

Lorsque la chaîne est lubrifiée d'une façon suffisante, il se produit une légère trace d'huile provoquée par l'huile éclaboussant. Faire attention à la direction du vent et ne pas s'exposer inutilement à la vapeur d'huile.



Coupe d'abattage

La coupe d'abattage sera située au moins 2 pouces (50,8 mm) plus haut que l'encoche d'abattage horizontale comme indiqué dans la Fig. B. La coupe d'abattage sera parallèle à l'encoche d'abattage horizontale. Laissez suffisamment de bois pour faire office de tenant. Le tenant évite la torsion de l'arbre et sa chute dans la mauvaise direction. Ne coupez pas le tenant.

L'arbre devrait entamer sa chute à mesure que la coupe d'abattage se rapproche du tenant. Interrompez immédiatement la coupe si l'arbre semble ne pas tomber dans la direction choisie ou s'il pourrait basculer vers l'arrière et coincer la chaîne. Utilisez des coins en bois, en plastique ou en aluminium pour ouvrir la coupe d'abattage et faire chuter l'arbre dans le sens choisi. Dès que l'arbre entame sa chute, retirez la tronçonneuse de la coupe, arrêtez le moteur et déposez la tronçonneuse. Retirez-vous de la zone d'abattage dans le sens prévu. Veillez à la chute de branchages et conservez une station stable.

Ebranchage

L'ébranchage consiste à couper les branches d'un arbre abattu. Laissez les branches inférieures pour maintenir le tronc à une certaine distance du sol. Coupez les petites branches en une coupe comme indiqué sur la Fig. C. Coupez par le bas les branches sous tension pour éviter le pincement de la chaîne.

Débitage

Le débitage consiste à découper un rondin en plusieurs morceaux. Il est important de conserver une position stable et de répartir le poids du corps sur les deux pieds. Si possible, soulevez le tronc au moyen de branches, de rondins ou de cales. Suivez les instructions élémentaires de sciage.

Si le tronc est supporté sur toute sa longueur comme dans la Fig. D, la coupe se fera par le dessus (coupe par le dessus).

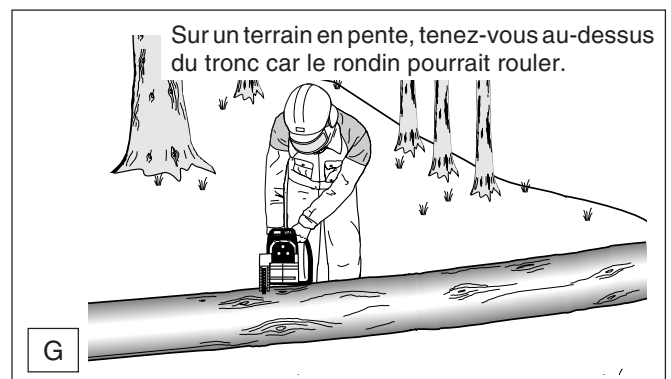
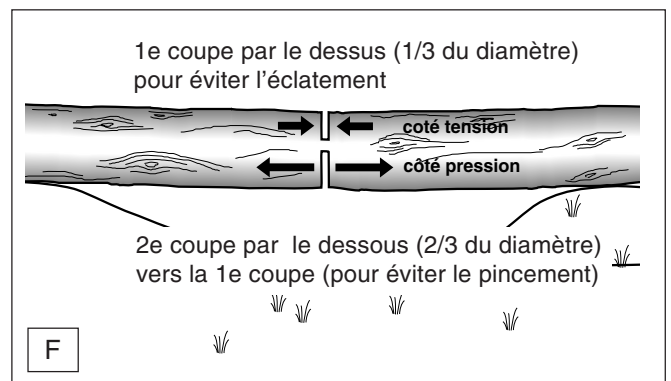
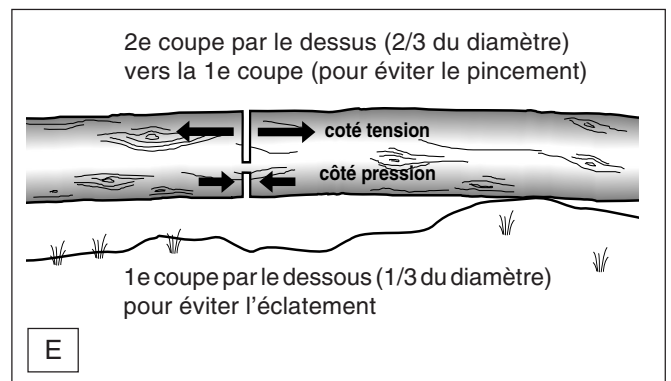
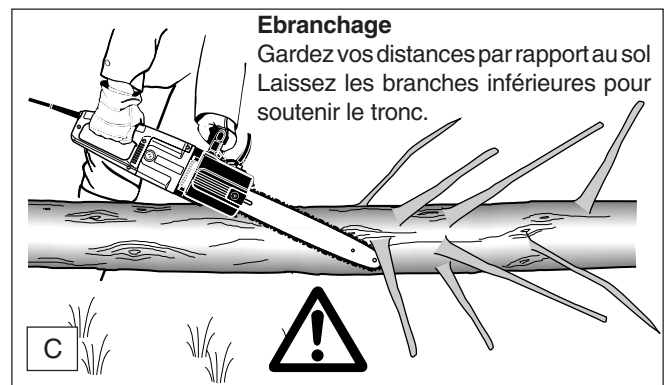
Si le tronc est supporté par l'une de ses extrémités seulement, Fig. E, coupez sur 1/3 du diamètre par le dessous (coupe par le dessous). Terminez ensuite la coupe par le dessus.

Si le tronc est supporté par ses deux extrémités, Fig. F, coupez sur 1/3 du diamètre par le dessus et terminez la coupe par les 2/3 inférieurs.

Si le débitage s'effectue sur un terrain en pente, restez toujours au-dessus comme indiqué dans la Fig. G. Pour les coupes de sectionnement, relâchez la pression sur la tronçonneuse avant de terminer la coupe sans relâcher la prise des mains sur les poignées. Ne laissez pas la chaîne entrer en contact avec le sol. Une fois la coupe achevée, attendez l'immobilisation de la chaîne avant de retirer la tronçonneuse. Arrêtez toujours le moteur avant de vous déplacer d'arbre en arbre.

Transport de l'outil

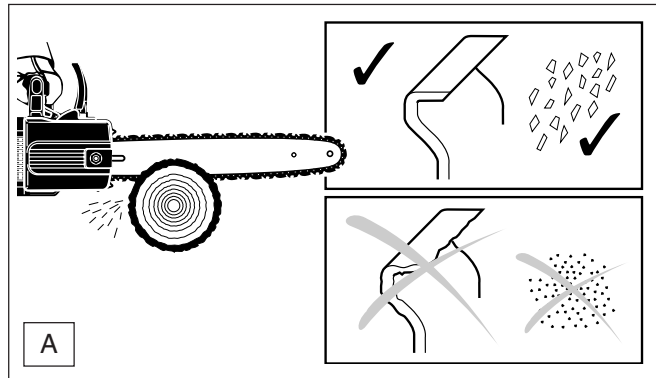
Transportez l'outil débranché en le portant par la poignée avant, le doigt retiré de l'interrupteur. Utilisez la protection de chaîne pour recouvrir le guide et la chaîne.



TRAVAUX DE MAINTENANCE

Affûtage de la chaîne

Porter absolument des gants de production et débrancher la fiche de contact lorsque des travaux sont effectués à la chaîne!



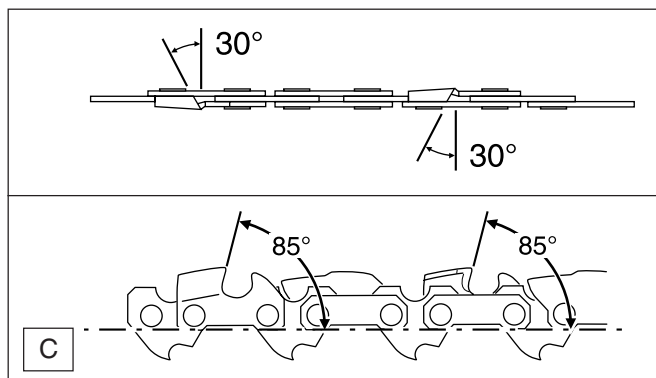
La chaîne de sciage doit être affûtée lorsque:

- les copeaux deviennent farineux en sciant du bois humide.
- la chaîne, tout en exerçant une forte pression, ne „tire“ que péniblement dans le bois.
- les arêtes de coupe sont visiblement endommagées.
- le dispositif de sciage gauchit dans le bois latéralement vers la gauche ou la droite. Ceci est dû à un affûtage irrégulier de la chaîne de sciage ou d'un endommagement d'un côté.

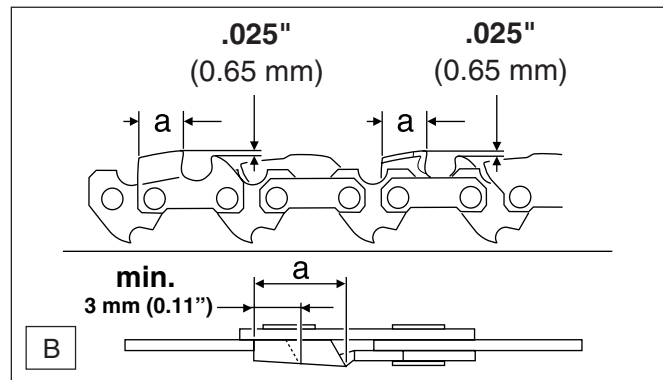
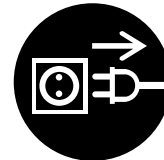
Important: affûter souvent, sans enlever de trop de matériau!

Lors d'un simple affûtage, il suffit souvent de 2 à 3 coups de lime.

Après avoir effectué soi-même plusieurs affûtages, faire affûter la chaîne à l'atelier spécialisé.



- L'angle d'affûtage de 30° doit être absolument identique pour toutes les dents de rabotage. Des angles différents provoquent une marche irrégulière et rude de la chaîne, augmentent l'usure et aboutissent à des ruptures de chaîne!
- L'angle d'arasement de la dent de rabotage de 85° s'obtient par la profondeur de pénétration de la lime ronde. Si la lime prescrite est guidée correctement, l'angle d'arasement correct s'obtient par lui-même.



Critères d'affûtage:

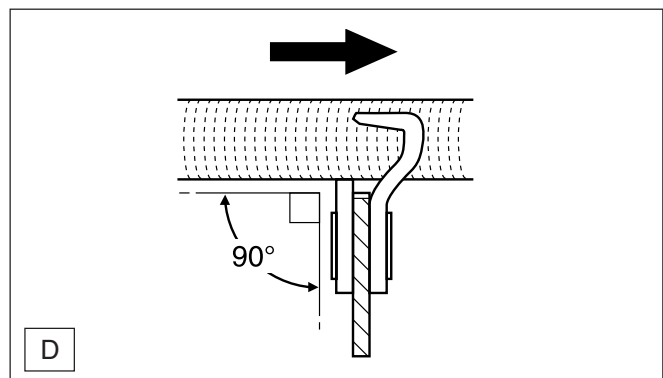
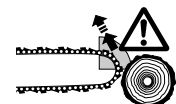
ATTENTION:

N'utiliser que des chaînes et guide-chaîne permis pour cette tronçonneuse (voir extrait de la liste de pièces de rechange)!

- Toutes les dents de rabotage doivent avoir la même longueur (dimension a). Des dents de rabotage de hauteur différente signifient une marche dure de la chaîne et peuvent provoquer des ruptures de chaîne!
- Longueur minimale de dent de rabotage: 0.11" (3 mm). Ne pas raffûter la chaîne de sciage lorsque la longueur minimale de dent de rabotage est atteinte. Une nouvelle chaîne de sciage doit être alors montée (voir „extrait de la liste des pièces de rechange“ et chapitre „Nouvelle chaîne de sciage“).
- L'écart entre le limiteur de profondeur (nez rond) et l'arête de coupe détermine l'épaisseur du copeau.
- Les meilleurs résultats de coupe sont obtenus avec une distance du limiteur de profondeur de .025" (0.65 mm).

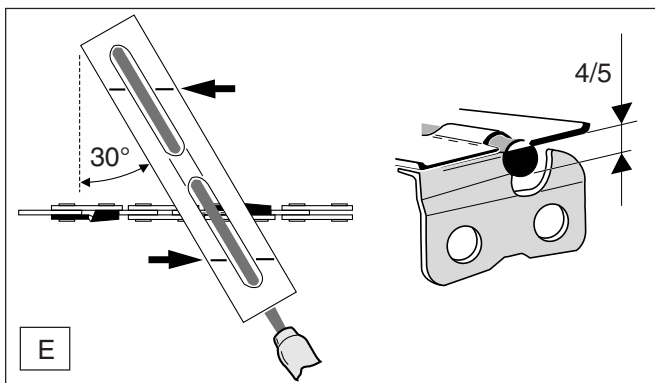
ATTENTION:

Une distance trop grande augmente le danger d'un choc de recul!

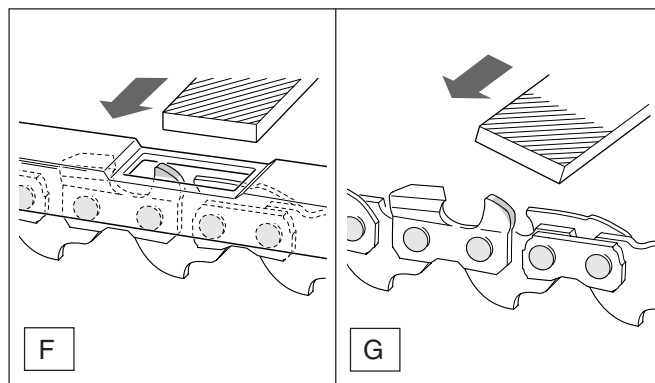


Lime et guidage de la lime

- Pour l'affûtage il faut utiliser une lime de chaîne de sciage spéciale (ø 4,0 mm). Les limes rondes normales ne sont pas appropriées. Numéro de commande, voir accessoires.
- La lime ne doit attaquer que lors de la passe en avant (flèche). Lors du retour, relever la lime du matériel.
- La dent de rabotage la plus courte est affûtée la première. La longueur de cette dent est alors la mesure type pour toutes les autres dents de rabotage de la chaîne de sciage.
- Conduire la lime montré sur la illustration „D“.



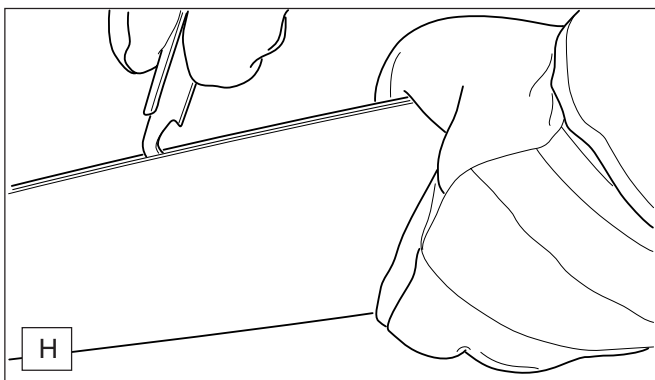
- Un porte-lime facilite le guidage de la lame, il porte des repères pour l'angle d'affûtage correct de 30° (orienter les repères parallèlement à la chaîne de scie) et limite la profondeur de pénétration (4/5 du diamètre de la lime). Voir accessoires pour le n° de commande.



- A la suite du nouvel affûtage, vérifier la hauteur du limiteur de profondeur avec la jauge de mesure pour chaîne. Voir accessoires pour le n° de commande.
- Enlever avec la lime plate spéciale (F) tout dépassement, même le moindre.
- Arrondir à nouveau le limiteur de profondeur à l'avant (G).

Nettoyer le guide-chaîne Regraisser l'étoile de déviation

ATTENTION!
Porter impérativement des gants de protection.



Les surfaces de roulement du guide-chaîne doivent être régulièrement vérifiées pour voir si elles ne sont pas endommagées et nettoyées avec un outillage adapté.

En cas d'utilisation intense de la tronçonneuse électrique, il est nécessaire de regraisser régulièrement (1 x par semaine) le palier de l'étoile de déviation. Nettoyer **avec précaution** le perçage de 2 mm sur la pointe du guide-chaîne avant le graissage et y presser une faible quantité de graisse polyvalente.

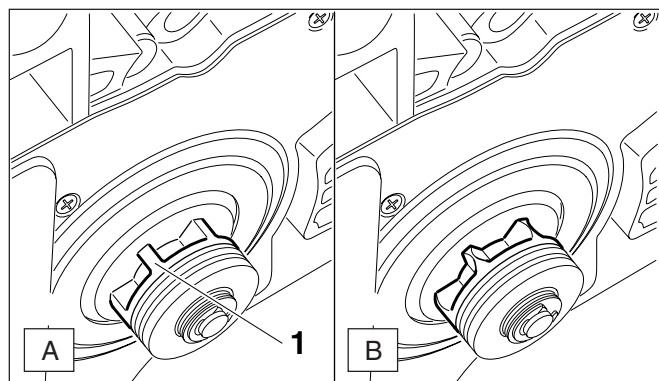
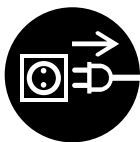
La graisse polyvalente et la pompe à graisse sont disponibles en option.

Graisse polyvalente	(n° de commande 944 360 000)
Pompe à graisse	(n° de commande 944 350 000)

Nouvelle chaîne de sciage

ATTENTION:

N'utiliser que des chaînes et guide-chaîne permises pour cette tronçonneuse (voir extrait de la liste de pièces de rechange)!



Avant de monter une nouvelle chaîne de sciage, il faut vérifier l'état de la roue à chaîne (A/1).

ATTENTION:

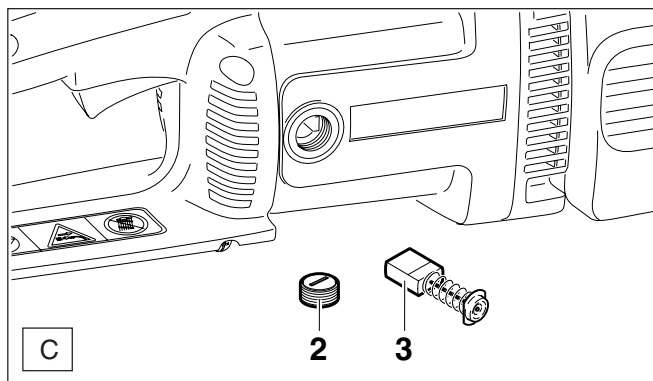
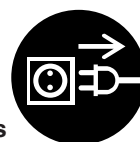
Des roues à chaîne usées (B) provoquent des détériorations sur une nouvelle chaîne de sciage et doivent impérativement être remplacées.

Le remplacement de la roue à chaîne exige une formation spécialisée et doit être effectué par un atelier spécialisé DOLMAR équipé d'un outillage spécial.

Vérifier / remplacer les balais de charbon

ATTENTION:

Contrôler les balais de charbon à intervalles réguliers. Une entaille sur le balais de charbon indique la limite d'usure.



IMPORTANT:

Le balai de charbon est très fragile. Veiller à ce qu'il ne tombe pas. **En enlevant le balai de charbon, repérer impérativement son emplacement, étant donné que le balai de charbon est rodé sur le rotor.**

- Dévisser le couvercle (C/2) avec la clé combinée et retirer le balai de charbon.
- Si la limite d'usure n'est pas encore atteinte, remettre le balai de charbon (C/3) à la même position et visser le couvercle (C/2).
- Faire fonctionner la tronçonneuse pendant une courte durée (1 minute env.) de manière à ce que les balais de charbon se réadaptent.

DOLMAR



Pour conserver la SURETE et la FIABILITE de votre outil, confiez vos travaux de réparation, d'entretien et de réglage à l'usine ou à un centre de service autorisé par DOLMAR. Veillez toujours à ce que des pièces détachées d'origine DOLMAR soient utilisées.

Recherche de pannes

Panne	Système	Observation	Cause
tronçonneuse ne fonctionne pas	complet	moteur électr. ne fonctionne pas	sans alimentation électr., câble défectueux frein de chaîne est déclenché fusible de secteur déclenché
performance insuffisante	balais	puissance	balais de charbon usés
pas de graissage de la chaîne	réservoir d'huile, pompe d'huile	pas d'huile de chaîne sur la chaîne de sciage	réservoir d'huile vide rainure d'alimentation d'huile encrassée
Frein de chaîne	frein	chaîne de sciage ne s'arrête pas brusquement	bande de frein usée

Indications de maintenance et d'entretien périodiques

De manière à garantir une longue durée de vie et le plein fonctionnement des dispositifs de sécurité et à éviter des détériorations, il faut effectuer régulièrement les travaux de maintenance décrits ci-dessous. Les réclamations ne pourront être reconnues comme telles si ces travaux ont été effectués régulièrement et correctement. Des accidents risquent de se produire en cas de non-observation.

Les utilisateurs de tronçonneuses doivent effectuer que les travaux de maintenance et d'entretien qui sont décrits dans la instruction d'emploi. Les travaux non compris dans cette liste ne doivent être exécutés que dans un atelier spécialisé de DOLMAR.

Page

Généralités	tronçonneuse électr. compl. carter en plastique chaîne guide-chaîne pignon frein de chaîne	nettoyage extérieur régulier. vérifier s'il y a des cassures ou fissures. En cas d'endommagement faire réparer immédiatement par un atelier qualifié. réaffûter régulièrement. échanger à temps. tourner après un certain temps pour user la surface de roulement d'une façon régulière. échanger à temps. faire échanger à temps par l'atelier qualifié. faire contrôler régulièrement par un atelier qualifié.	
Avant chaque mise en marche	chaîne guide-chaîne lubrification de la chaîne frein de chaîne interrupteur de mise en marche/ d'arrêt câble de raccordement capot de fermeture pour réservoir d'huile	vérifier s'il y a des endommagements, vérifier l'acuité. contrôler la tension de la chaîne. contrôler si défectueux, supprimer des bavures le cas échéant. test de fonctionnement. test de fonctionnement. test de fonctionnement. si défectueux faire échanger par l'atelier qualifié. vérifier l'étanchéité.	32-33 29 32 31 31
Après chaque mise hors service	guide-chaîne logement du guide-chaîne	nettoyer le perçage d'entrée d'huile. nettoyer, surtout la rainure de guidage d'huile.	31 33
Placement	réservoir d'huile de chaîne Chaîne et railguide tronçonneuse électrique compl.	vider. démonter, nettoyer, lubrifier légèrement. nettoyer la rainure de guidage du guide-chaîne. placer dans un endroit sûr et sec. après un placement d'une durée plus longue la faire contrôler par un atelier qualifié (l'huile restant peut devenir résineuse et encombrer la soupape de la pompe à huile).	30

Service après vente de l'atelier, pièces de rechange et garantie

Entretien et réparations

L'entretien et la réparation de moteurs électriques modernes ainsi que de sousgroupes relevant du domaine de la sécurité exigent une qualification spéciale et un atelier ayant des outils spéciaux et des appareils de contrôle spécifiques. Pour cela, DOLMAR vous recommande de faire effectuer tous les travaux n'étant pas décrits dans cette instruction d'emploi par des ateliers qualifiés DOLMAR.

Le spécialiste dispose de la qualification demandée, de l'expérience et de l'équipement pour pouvoir vous proposer la meilleure solution à tout problème à un prix favorable et il fera tout le possible pour vous aider.

Veillez vous adresser à la représentation générale indiquée au dos de la présente notice ou à l'importateur désigné. Vous y recevrez l'adresse de l'atelier spécialisé la plus proche de chez vous.

Pièces de rechange

Le fonctionnement fiable et la sécurité de votre appareil dépendent également de la qualité des pièces de rechange utilisées. Utiliser exclusivement des pièces de rechange DOLMAR, signalées par 

Seules les pièces d'origine proviennent de la chaîne de production de l'appareil et vous assurent donc la qualité optimale du matériau, du respect des dimensions et du fonctionnement et une sécurité irréprochables.

Vous recevez les pièces de rechange et les accessoires originales chez votre distributeur qualifié. Il dispose également des listes des pièces de rechange nécessaires pour trouver les numéros correspondant aux pièces de rechange demandées et il est toujours au courant quant aux améliorations de détail et aux nouveautés concernant la gamme des pièces de rechange.

Veillez tenir compte que l'utilisation des pièces n'étant pas des pièces d'origine DOLMAR exclut toute garantie de la part de la société DOLMAR.

Garantie

DOLMAR garantit une qualité irréprochable et supporte les frais pour une amélioration par remplacement des pièces défectueuses dans le cas de défauts de matériel ou de fabrication qui se présentent dans le délai de garantie après le jour de vente. Veuillez noter que dans quelques pays des conditions de garantie spécifiques sont valables. En cas de doute, contactez votre distributeur. C'est lui en tant que dist teur du produit qui est responsable de la garantie.

Veuillez comprendre que toute garantie est exclue dans les cas suivants:

- Inobservance des instructions d'emploi.
- Omission de travaux d'entretien et de nettoyage nécessaires.
- Usure par usage normal.
- Surcharge évidente due à un franchissement permanent des limites supérieure de puissance.
- Utilisation de chaînes et de guides-chaînes non admis.
- Utilisation de longueurs de guides-chaînes ou de chaînes non admises.
- Utilisation en employant la force, utilisation inappropriée, abus ou accident.
- Endommagements de surchauffe dûs à une alimentation en air de refroidissement pollué au carter.
- Utilisation de pièces de réchange inappropriées ou de pièces non originales DOLMAR si elles sont à l'origine de l'endommagement.
- Utilisation de carburants inappropriés ou ayant été stockés trop longtemps.
- Endommagement dûs aux conditions d'utilisation prescrites par le distributeur louant l'appareil.
- Opérations de la part de personnes non qualifiées ou des essais de réparation inappropriés.

Les travaux de nettoyage, d'entretien ou d'ajustage ne sont pas reconnus en tant que prestations de garantie. Tous les travaux de garantie doivent être effectués par votre distributeur DOLMAR.

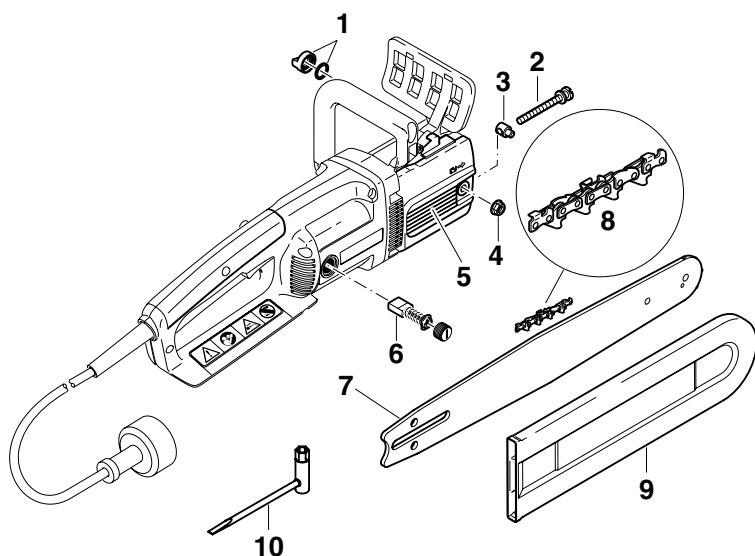
Extrait de la liste de pièces de rechange

ATTENTION: ces pièces et accessoires sont recommandés pour être utilisés avec l'outil DOLMAR spécifié dans ce manuel. L'utilisation d'autres pièces ou accessoires peut présenter un risque de dommages corporels. Utilisez les pièces et accessoires conformément à leur destination.

DOLMAR

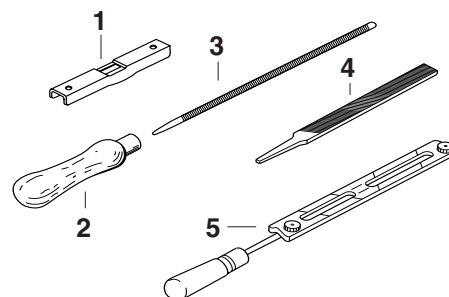


Livraison complète



Accessoires

Ne sont pas livrés avec la tronçonneuse électrique



Pos. No. DOLMAR	Pièce Désignation	151	161	171
1 205 114 203	1 Capot de ferm. du réserv. d'huile	1	1	1
2 901 505 354	1 Vis pour tendeur de chaîne	1	1	1
3 001 213 042	1 Ecran à tenons	1	1	1
4 923 208 004	1 Ecran de fixation	1	1	1
5 225 213 102	1 Protection roue à chaîne	1	1	1
6 957 802 410	2 Balais de charbon	1	1	1
7 412 030 661	1 Guide à étoile 12" (30 cm)	1		
7 412 035 661	1 Guide à étoile 14" (35 cm)		1	
7 412 040 661	1 Guide à étoile 16" (40 cm)			1
8 528 091 046	1 Chaîne 3/8" pour 12"	1		
8 528 091 052	1 Chaîne 3/8" pour 14"		1	
8 528 091 056	1 Chaîne 3/8" pour 16"			1
9 952 100 133	1 Enveloppe protect. (12"-16")	1	1	1
10 941 713 001	1 Clé combinée	1	1	1

Pos. No. DOLMAR	Pièce Désignation	1
1 953 100 090	1 Jauge de chaîne 3/8"	1
2 953 004 010	1 Manche de lime	1
3 953 003 090	1 Lime ronde ø 4 mm	1
4 953 003 060	1 Lime plate	1
5 953 030 010	1 Porte-lime, cpl. 3/8"	1

DOLMAR



POWER PRODUCTS

Download from www.Somanuals.com. All Manuals Search And Download.

Specifications subject to change without notice
Changements sans préavis

Form: 995 702 113 (6.05 GB, F)

Free Manuals Download Website

<http://myh66.com>

<http://usermanuals.us>

<http://www.somanuals.com>

<http://www.4manuals.cc>

<http://www.manual-lib.com>

<http://www.404manual.com>

<http://www.luxmanual.com>

<http://aubethermostatmanual.com>

Golf course search by state

<http://golfingnear.com>

Email search by domain

<http://emailbydomain.com>

Auto manuals search

<http://auto.somanuals.com>

TV manuals search

<http://tv.somanuals.com>