
DOLMAR

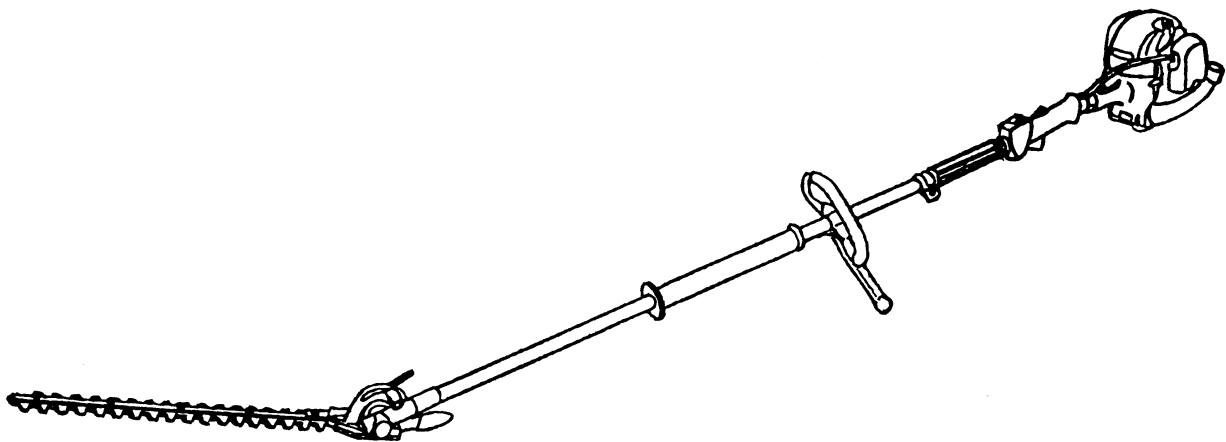
English / French / Spanish



Pole Hedge Trimmer ***Taille haie à Rallonge*** ***Cortasetos Articulado de Altura***

MH-2556

Instruction Manual
Manuel d'instructions
Manual de instrucciones



Important:

Read this instruction manual thoroughly before using the Pole Hedge Trimmer and follow the safety regulations carefully. Be sure to keep this instruction manual for future reference.

Important:

Lire entièrement ce manuel d'instructions avant d'utiliser la taille haie à rallonge et respecter toutes les consignes de sécurité. S'assurer de conserver ce manuel d'instructions pour toute référence ultérieure.

Importante:

Lea completamente este manual de instrucciones antes de utilizar el Cortasetos Articulado de Altura y respete cuidadosamente las instrucciones para su seguridad. Guarde este manual de instrucciones en un lugar a mano para su referencia en cualquier momento.

Thank you very much for choosing the DOLMAR Pole Hedge Trimmer. We are pleased to offer you a product that is the result of an extensive development program and many years of knowledge and experience.

To safely obtain the best possible results from your DOLMAR Pole Hedge Trimmer, please read this manual thoroughly before using the machine, and follow all instructions given herein to assure proper operation of the DOLMAR Pole Hedge Trimmer.



Table of Contents

Symbols	2
Safety instructions	3~6
Specifications	7
Parts Breakdown	8
Connecting the trimmer unit to the pole	9
Attaching the handle	9
Using the shoulder strap	9
Fuel/refueling	10
Precautions before starting the engine	11
Starting the engine	11
Stopping the engine	12
Checking and adjusting the idling speed	12
Operating the Pole Hedge Trimmer	13~14
Maintenance	14~16
Storage	17
Maintenance schedule	17
Troubleshooting	17

SYMBOLS

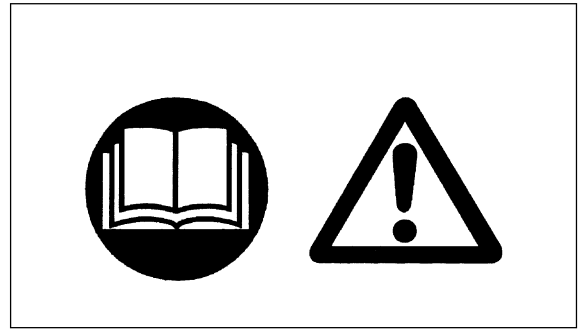
Please note the following symbols when reading this instruction manual

	WARNING/DANGER		Beware of pinching
	Before usage, carefully read and fully understand the instructions in this manual		Beware of electrical lines, risk of electrical shock
	PROHIBITION		Gasoline/oil mixture
	No smoking		Engine manual-start
	No naked flame		Emergency stop
	Wear protective shoes		First aid
	Wear protective gloves		Recyclable
	Keep working area clear of persons and pets		ON/START
	Wear a protective helmet and eye and ear protection		OFF/STOP

SAFETY INSTRUCTIONS

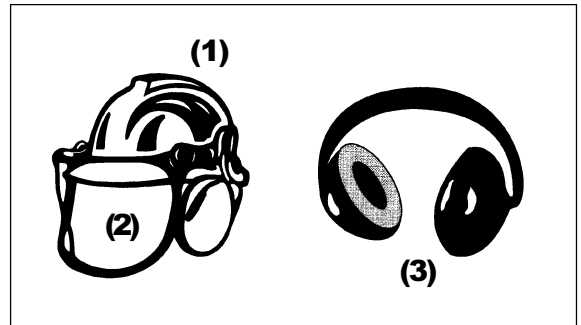
General Instructions

- Before usage, carefully read this manual and thoroughly familiarize yourself with how to correctly handle the pole hedge trimmer. **THIS EQUIPMENT CAN CAUSE SERIOUS INJURY IF USED IMPROPERLY!**
- Always provide detailed instructions on how to correctly use the pole hedge trimmer when lending the equipment to another person. Make sure that the instruction manual is handed over together with the pole hedge trimmer.
- First-time users should ask their dealer for basic instructions on the correct handling of the pole hedge trimmer.
- Store this manual in a location where it is easily accessible for quick reference.
- Do not allow persons under the age of 18 to operate the pole hedge trimmer. Individuals over 16 years old, however, may use the pole hedge trimmer for training purposes if under the constant supervision of an adult familiar with the operation of the pole hedge trimmer.
- Always use the pole hedge trimmer with the utmost care and attention.
- Serious injury may result if the pole hedge trimmer is used in the following circumstances. Do not use the pole hedge trimmer:
 - When feeling tired or ill.
 - After consumption of alcohol and/or medication.
 - At night or in poor lighting conditions.
 - During pregnancy.



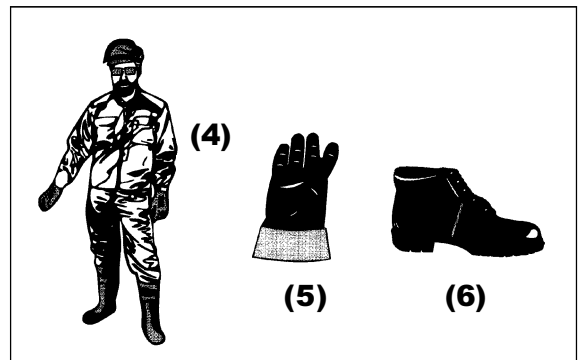
Intended use

- This pole hedge trimmer has been designed for the sole purpose of trimming hedges and bushes with a maximum branch diameter of 6 mm. Do not use the trimmer for any other purposes.



Personal protective equipment

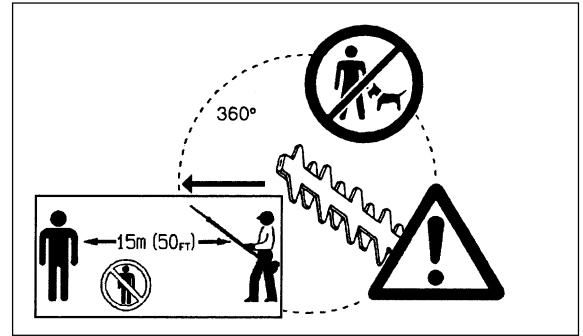
- Clothes worn should be functional and tight-fitting without restricting movement. Do not wear clothing or jewelry that could get entangled in underbrush or in the machine.
- For adequate protection against injuries to head, eyes, feet, hands, as well as hearing impairment, the following protective equipment and clothing must be used when working with the pole hedge trimmer.
- To prevent injury to the head or the eyes, always wear a protective helmet (1) with goggles or a visor (2).
- To avoid hearing impairment, wear adequate ear defenders (3) at all times.
- Use of a well-fitting work overalls (4) is strongly recommended.
- Always wear rugged, leather working gloves (5) when operating the pole hedge trimmer.
- When using the pole hedge trimmer, always wear sturdy shoes (6) with a non-slip sole. Special work shoes ensure good footing and protect against injury.



Starting the Pole Hedge Trimmer

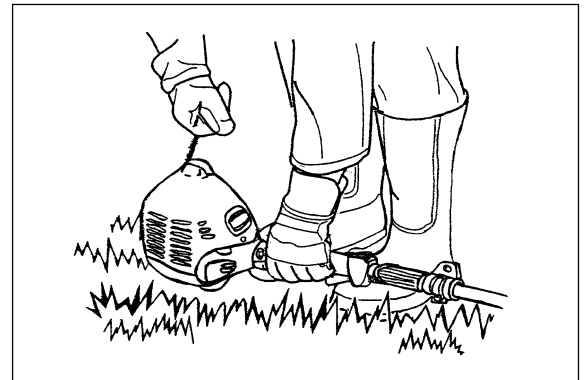
- At all times allow a 15-meter diameter safety zone around the working area. Make sure that all persons (in particular children) and/or animals remain outside this zone. In general, avoid using the hedge trimmer whenever people (in particular children) are nearby.
- Before starting the Pole Hedge Trimmer, always make sure that the machine is in safe operational condition.
- Check the operation of the throttle lever safety mechanism. The lock-off lever should have a smooth and easy action. Make sure that the lock-off lever functions properly. Check that the handles are clean and dry and test the STOP switch to ensure that it is functioning properly.

Always start the pole hedge trimmer in accordance with the directions provided in this instruction manual.



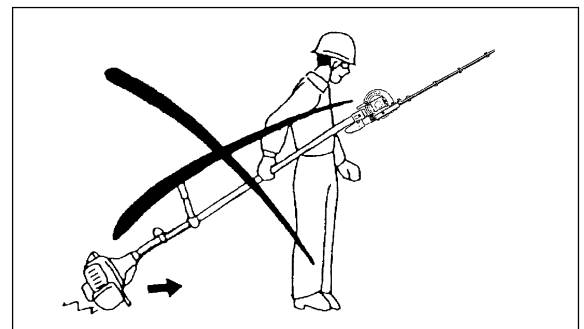
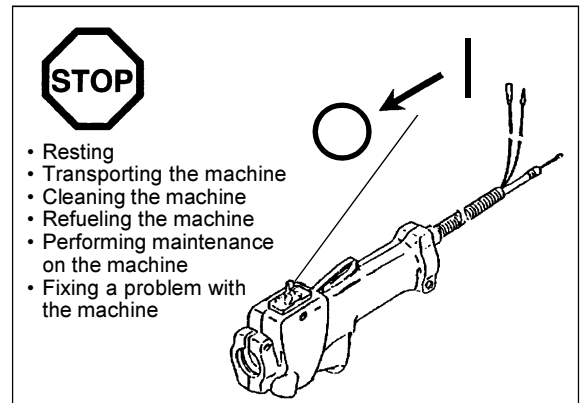
Follow the instructions below to start the pole hedge trimmer

- Start the pole hedge trimmer only after the machine has been completely assembled and all accessory parts have been attached.
- Before starting the engine, make sure that cutter blades are not obstructed by any foreign objects such as stones, branches, etc.
- Stop the engine immediately if engine problems occur.
- When operating the pole hedge trimmer, always maintain a firm grip on both handles. Wrap your fingers tightly around each handle, cradling the handle between thumb and forefinger. To keep the pole hedge trimmer under control at all times, avoid changing your grip during operation. Make sure that the control handles are in good condition and free of moisture, mud, oil or grease.



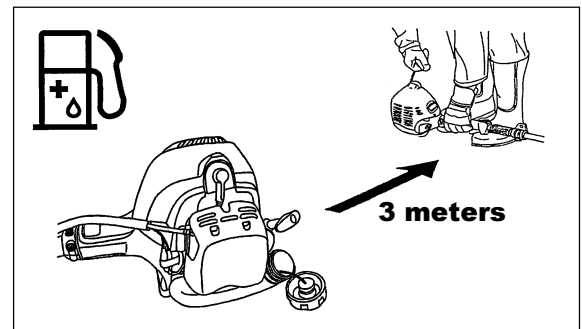
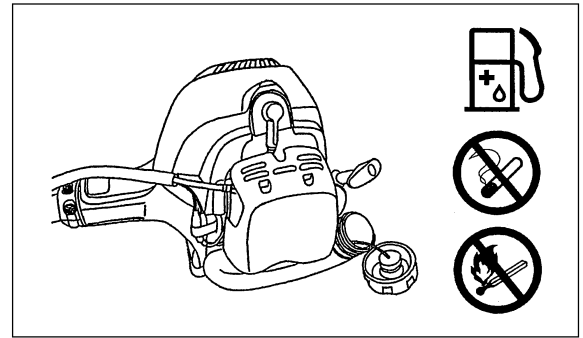
Always ensure secure and well-balanced footing

- Only use the pole hedge trimmer outdoors.
- Always stop the engine immediately and discontinue operation if engine trouble occurs or if the machine starts making unusual noise.
- Exhaust fumes are poisonous. Never operate the machine in an enclosed room or tunnel without ventilation (risk of suffocation and gas poisoning). Note that carbon monoxide is an odorless gas. Always make sure that areas where the engine is operated are adequately ventilated.
- Stop the engine when resting, or when the pole hedge trimmer is left unattended. Place the machine in a safe location and make sure that no combustible material is nearby.
- Never place a hot hedge trimmer onto dry grass or combustible material.
- To reduce the risk of fire, keep the engine and muffler free of debris, leaves or excessive lubricant.
- Never operate the engine if the muffler is malfunctioning.
- Turn off the engine before transportation.
- Always stop the engine in the following circumstances. When:
 - Resting
 - Transporting the machine
 - Cleaning the machine
 - Refueling the machine
 - Performing maintenance on the machine
 - Fixing a problem with the machine
- When transporting the machine in a vehicle, always securely attach the pole hedge trimmer to avoid leakage of residual fuel.
- Always empty the fuel tank before transporting the pole hedge trimmer in a vehicle.
- When unloading the machine from a vehicle, take extra care not to drop the pole hedge trimmer to the ground, as this may seriously damage the fuel tank.
- Except in an emergency, never drop the pole hedge trimmer as this may seriously damage the machine.
- When transporting the pole hedge trimmer, always lift the machine completely off of the ground. Never drag the engine across the ground as this may damage the fuel tank and possibly cause a fire.
- Always use the cutter cover provided to protect and secure the cutting section of the pole hedge trimmer during transportation and storage.



Refueling

- Before refueling, stop the engine.
- Never refuel near naked flames
- Do not smoke when refueling.
- Always allow sufficient time for the engine to cool down before refueling.
- Take care not to let your skin come into contact with petroleum products. Do not inhale gasoline fumes and always wear protective gloves when refueling. Change and clean protective wear at regular intervals.
- Take extra care to avoid spilling gasoline and oil in order to avoid contamination of the ground (environmental protection). If gasoline or oil has been spilled onto the hedge trimmer, immediately wipe the surface of the hedge trimmer with a rag. To avoid spontaneous combustion, allow wet rags to dry sufficiently before discarding them into an appropriate, covered container.
- Make sure that no fuel comes in contact with your clothing. Change fuel-contaminated clothing immediately (fire hazard).
- Close the fuel tank and tighten the fuel tank cap securely. To restart the engine, transfer the pole hedge trimmer to a location at least 3 meters away from the place of refueling.
- Check the fuel tank cap at regular intervals to make sure that the cap is securely fastened.
- Never refuel the machine in an enclosed room. Fuel vapors accumulate at ground level (risk of explosion).
- Store fuel in appropriate containers only, and make sure that stored fuel is out of the reach of children.
- To prevent damage to fuel lines and engine parts, avoid using gasoline that contains ethanol or methanol (types of alcohol) when mixing gasoline with two-stroke engine oil.



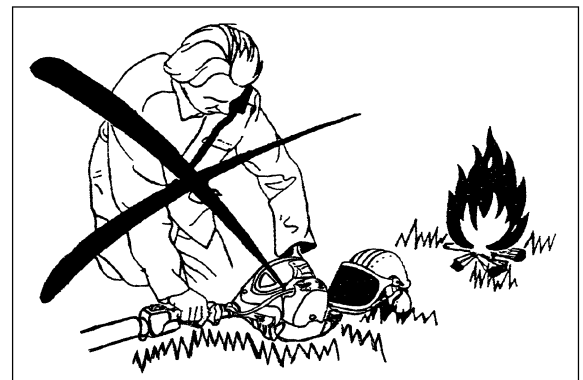
Operation

- During operation, hold the pole hedge trimmer with both hands at all times.
- Only use the pole hedge trimmer in good light and visibility conditions. Beware of slippery and wet areas (ice and snow) during the cold season (danger of slipping), and always ensure secure footing.
- Never use the pole hedge trimmer while standing on an unstable surface or a steep slope.
- Never use the pole hedge trimmer while standing on a ladder.
- Never climb a tree to use the pole hedge trimmer from the tree.
- To avoid stumbling or falling over objects, never walk backwards when working with the pole hedge trimmer.
- Always stop the engine before cleaning or servicing the machine. Also, refrain from replacing parts before the engine has been stopped.
- Do not operate the pole hedge trimmer if the cutting unit is damaged or worn.



Maintenance instructions

- Always do your utmost to keep pollution and noise emissions as low as possible when operating the pole hedge trimmer. Pay special attention to correct adjustment of the carburetor.
- Clean the hedge trimmer at regular intervals and periodically check whether all nuts and bolts are securely tightened.
- Never service or store the pole hedge trimmer in the vicinity of naked flames, sparks, etc.
- Empty the fuel tank before storage, and always store the pole hedge trimmer in a well-ventilated locked room. Make sure the pole hedge trimmer is out of children's reach at all times.
- To prevent further damage and/or personal injury, refrain from repairing a malfunctioning pole hedge trimmer if not qualified to do so. For repairs always contact your dealer or an authorized service agent.



Do not attempt to modify or remodel the pole hedge trimmer as this may affect operation safety.

Maintenance work that can be performed by the user is limited to the activities described in this instruction manual. Any other procedures are to be executed by an authorized service agent.

Use only genuine spare parts and accessories supplied by DOLMAR via authorized service centers.

Use of unauthorized accessories and tools may increase the risk of accident and injury. DOLMAR accepts no liability whatsoever for accidents or damage resulting from the use of unauthorized accessories and parts.

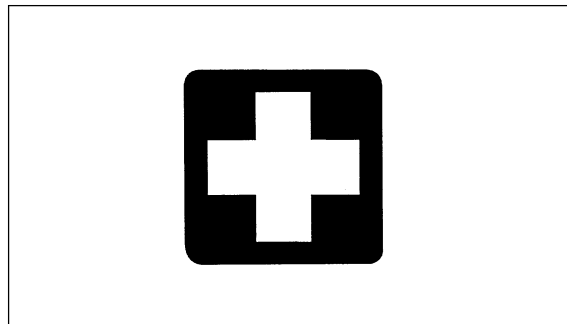
First aid

As a precaution for the occurrence of an accident, make sure that a fully stocked first aid kit is ready at hand.

Replace any items taken from the first aid kit as soon as possible.

When asking for help in the case of an emergency, give the following information:

- Place of accident
- What happened
- Number of injured people
- Extent of injuries
- Your name



Packaging

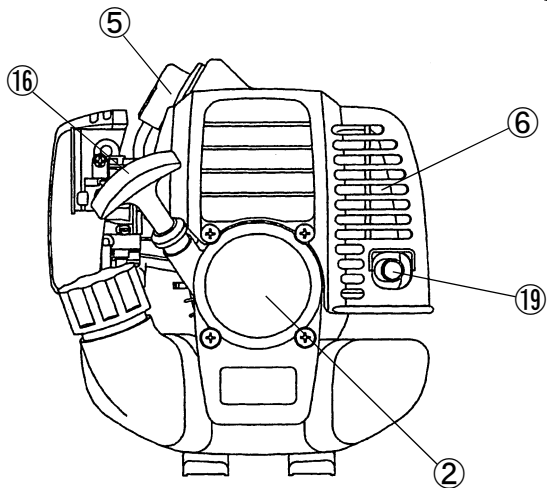
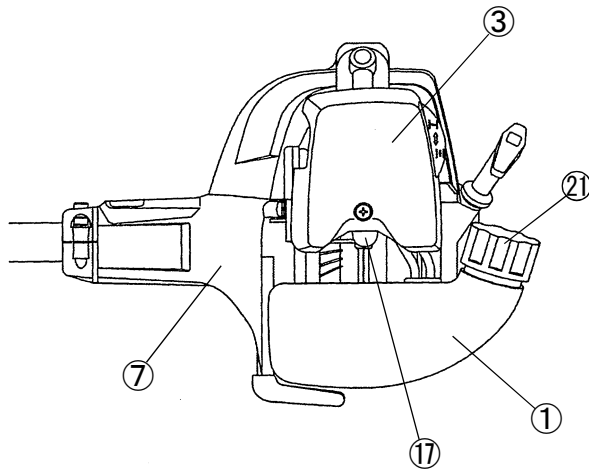
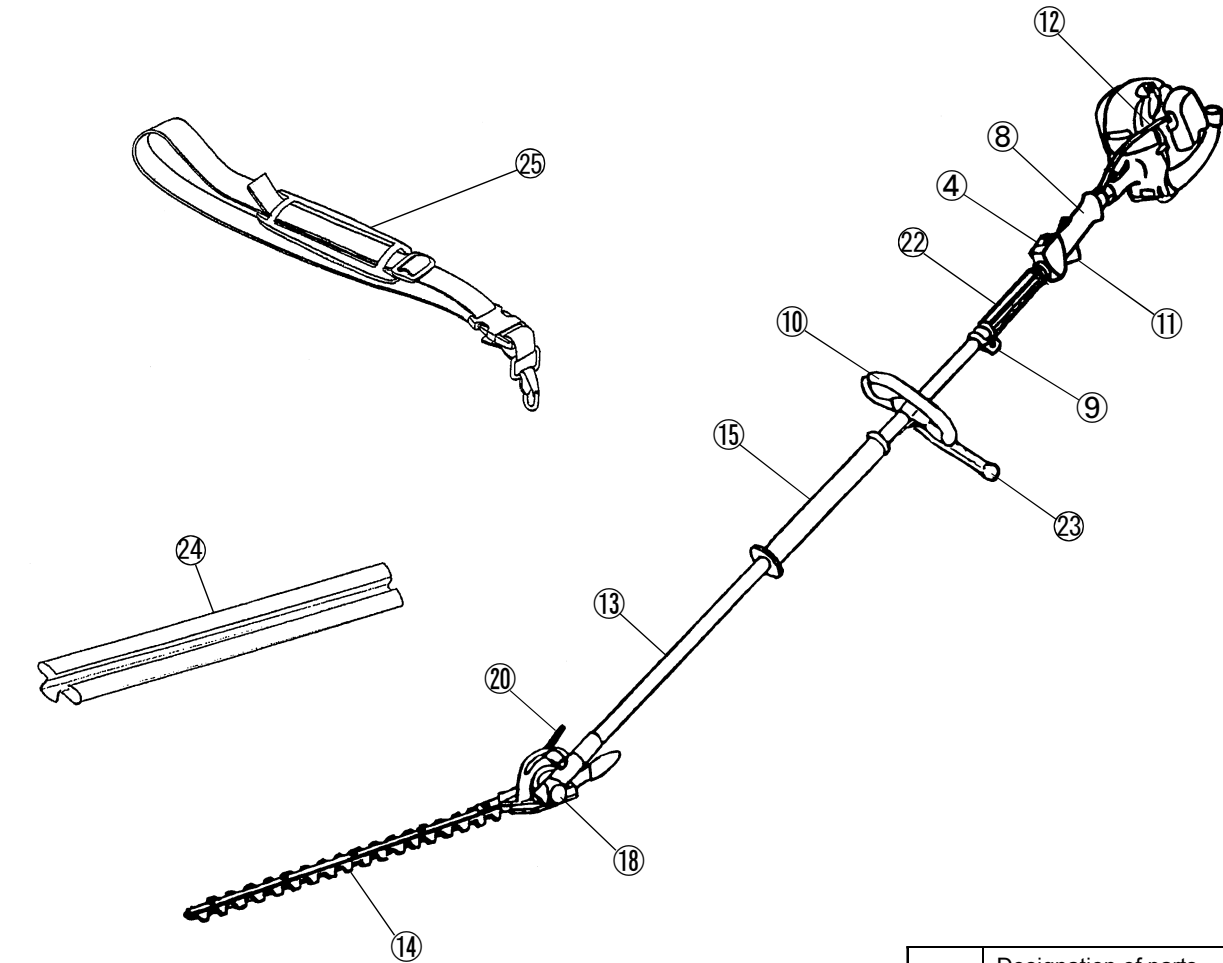
The pole hedge trimmer is delivered in a protective cardboard box to prevent damage during shipping. Cardboard is a basic raw material that can be reused and recycled (waste paper recycling).



TECHNICAL DATA : MH-2556

Model		MH-2556
		Loop handle and Grip handle
Dimensions (L x W x H)	mm	2400 x 350 x 220
Mass	kg	6.1
Volume (fuel tank)	L	0.65
Cutting length	mm	535
Engine displacement	cm ³	24.5
Maximum engine performance		0.75 kW at 7000 min ⁻¹
Engine speed At recommended max, spindle speed	min ⁻¹	10,000
Fuel consumption	kg/h	0.54
Specific fuel consumption	g/kWh	735
Idling speed	min ⁻¹	3000
Clutch engagement speed	min ⁻¹	4100
Carburetor (Diaphragm carburetor)	type	WALBRO WYJ
Ignition system	type	Solid state ignition
Spark plug	type	NGK BMR7A
Electrode gap	mm	0.6-0.7
Mixture ratio (Fuel: DOLMAR 2-stroke oil)		50:1
Gear ratio		1/4

DESIGNATION OF PARTS



Designation of parts	
1	Fuel tank
2	Recoil starter
3	Air cleaner
4	I-O switch (ON/OFF)
5	Spark plug
6	Muffler
7	Clutch case
8	Rear grip
9	Hanger
10	Handle
11	Throttle lever
12	Throttle cable
13	Shaft
14	Cutter blades
15	Front grip
16	Starter knob
17	Primer pump
18	Gear box
19	Exhaust pipe
20	Clamp lever
21	Fuel tank cap
22	Distance collar
23	Barrier
24	Blade cover
25	Shoulder strap

CONNECTING THE TRIMMER UNIT TO THE POLE

Important:

Make sure that the engine is turned off, and remove the spark plug cap before assembling the pole hedge trimmer.

Wear protective gloves!

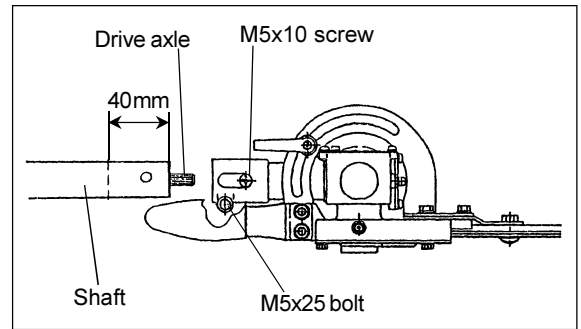
Secure blades with the blade cover provided when connecting the trimmer unit to the pole.

- Loosen the M5x10 screw and M5x25 bolt.
- Insert shaft into gear case

NOTE: Make sure that the shaft is completely inserted into the gear case (approx. 40mm/1.57").

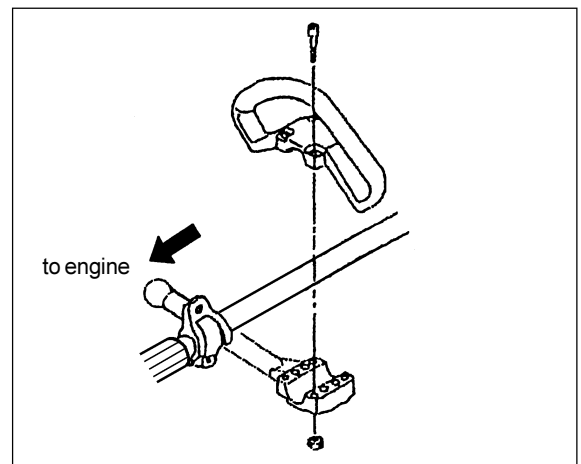
If you are having trouble inserting the shaft, manually rotate the drive axle a little and try again.

- Confirm that the shaft is properly inserted and then tighten the M5x10 screw and the M5x25 bolt.



ATTACHING THE HANDLE

- Attach the protective barrier together with the handle so that the barrier juts out to the left as viewed from the operating position.
- Make sure not to set the handle too close to the control grip (use the distance collar provided for this purpose).



USING THE SHOULDER STRAP

How to wear the shoulder strap

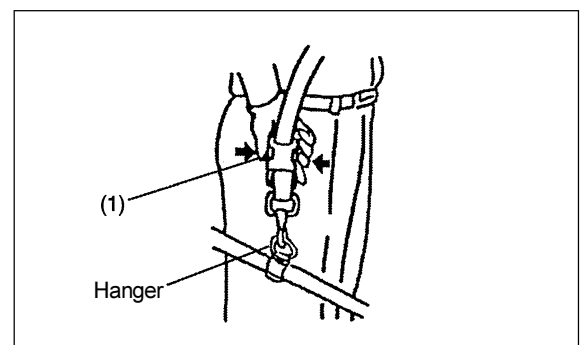
- Wear the shoulder strap over the left shoulder.
- Keep the pole hedge trimmer unit on the right hand side of the body.
- Attach the strap to the fitting provided on the pole hedge trimmer and adjust the length of the strap to attain a comfortable working position.



Detachment

- In an emergency, push the notches (1) at both sides, and you can detach the machine from you.
- Be extremely careful to maintain control of the machine at this time. Do not allow the machine to be deflected toward you or anyone in the work vicinity.

WARNING: Failure to maintain complete control of the machine at all could result in serious bodily injury or DEATH.



FUEL/REFUELING



Gasoline/oil mixture

- The engine of the pole hedge trimmer is a highly efficient two-stroke engine that runs on a mixture of gasoline and two-stroke engine oil. The engine is designed to use regular unleaded gasoline with a min. octane value of 91 ROZ. If such gasoline is not obtainable, instead use gasoline with the highest octane value available. This will not cause any damage to the engine, but may result in poor engine performance. Similar results are to be expected when leaded gasoline is used. To obtain optimal engine performance, and for the sake of human health and the environment, where possible use unleaded fuel.
- Two-stroke engine oil (quality grade: TSC-3) must be added to the gasoline in order to lubricate the engine. The engine has been designed to use environment-friendly DOLMAR 2-stroke oil, which is to be mixed at a ratio of 50:1. This specially developed oil ensures prolonged engine service life and reliable engine performance with an absolute minimum of exhaust gas emissions. It is imperative to strictly observe the 50:1 mixture (Gasoline/DOLMAR 2-stroke oil), as reliable performance of the pole hedge trimmer cannot be guaranteed otherwise.
- Correct gasoline/oil mixture:
Mix 50 parts gasoline with 1 part DOLMAR 2-stroke engine oil (see also table on the right).

NOTE: When preparing the gasoline/oil mixture, first mix all of the amount of oil required with half the amount of gasoline required. Add the remaining gasoline and shake the mixture well before replenishing the tank. Do not add more oil than prescribed. If too much oil is added this will produce additional combustion residue, thus polluting the environment and clogging the muffler and the cylinder exhaust channel. In addition, overall fuel consumption will also increase and poorer engine performance is to be expected.

Handling of petroleum products

Always handle fuel with the utmost care and attention. Since fuel contains substances similar to solvents, refueling must be done outdoors or in well-ventilated areas. Do not inhale gasoline fumes and avoid any skin contact with gasoline or oil. Human skin will dry out if in contact with petroleum over an extended period of time. This may result in various skin diseases and allergic reactions.

Gasoline or oil coming into contact with the eyes can cause severe eye irritation. Should gasoline or oil come into contact with your eyes, immediately rinse your eyes with large amounts of clean water. Do not hesitate to see a doctor if irritation persists.

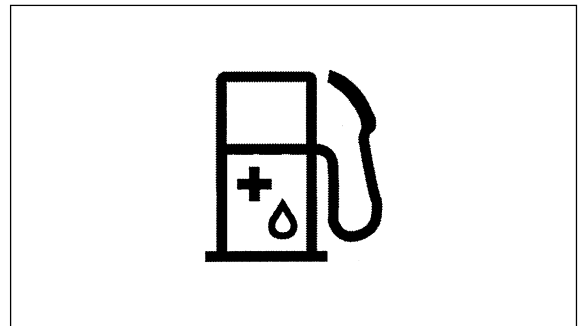
Refueling

The engine must be switched off.

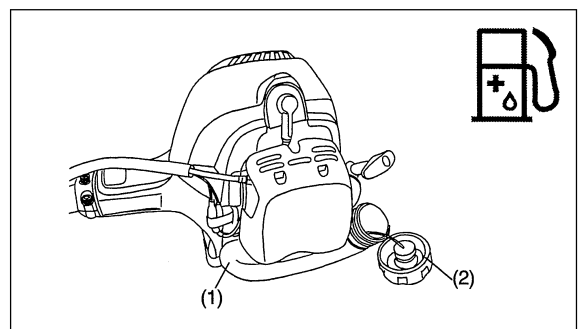
- Thoroughly clean the area around the fuel filler cap (2), to prevent dirt from getting into the fuel tank (1).
- Unscrew the fuel filler cap (2) and fill the tank with fuel.
- Tightly screw on the fuel filler cap (2).
- Clean screw fuel filler cap (2) and tank after refueling.

Fuel storage

- Fuel deteriorates if stored over an extended period of time.
- Purchase only the amount of fuel to be used over a 4-week period.
- Use only approved petroleum-storage containers.



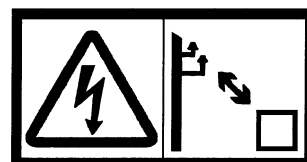
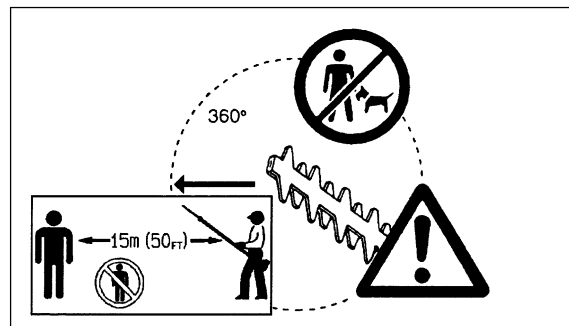
Gasoline	Oil
1000mL (1L) 5000mL (5L) 10000mL (10L)	20mL 100mL 200mL



PRECAUTIONS BEFORE STARTING THE ENGINE



- At all times allow a 15-meter diameter safety zone around the working area. Make sure that all persons (in particular children) and/or animals remain outside this zone.
- Before using the pole hedge trimmer, make sure that the machine is in safe operational condition. Make sure that the cutter blades are not damaged, and check the throttle lever for easy action. Confirm that the cutter blades are not in motion when the engine is idling. If the machine is not operating normally, contact your dealer to have the machine adjusted. Make sure that the handles are clean and dry, and test whether the I-O switch is functioning properly. Start the engine only in accordance with the instructions given in this manual. Do not use any other methods to start the pole hedge trimmer (see , "Starting the Engine").
- Start the engine of the pole hedge trimmer only after having read and fully understood the instructions. Never attempt to start a pole hedge trimmer that has not been fully assembled. Serious injury may result otherwise.
- Before starting the engine, always make sure that the cutter blades are not obstructed by stones, branches or any other solid objects.
- Check the working area for wires, cord, glass or other foreign objects that could get caught in the cutter blades.
- Electrical shock: Be aware of all electrical lines in the vicinity. Check the entire work area for the presence of power lines and electrical fences before starting to work.



STARTING THE ENGINE



If the machine has just been refueled, move at least 3 meters away from the location where the pole hedge trimmer was refueled. Place the pole hedge trimmer on a reasonably clean spot on level ground, and make sure that the cutter blades are not in contact with the ground or any other solid objects.

Cold start (cold engine / engine was stopped for more than 5 minutes / after refueling)

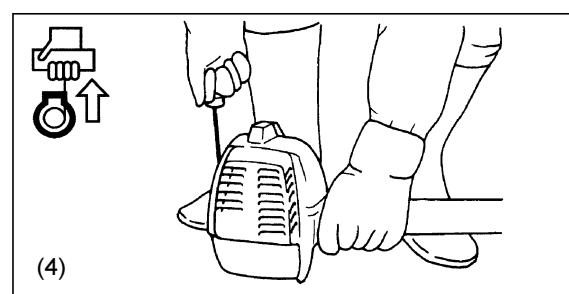
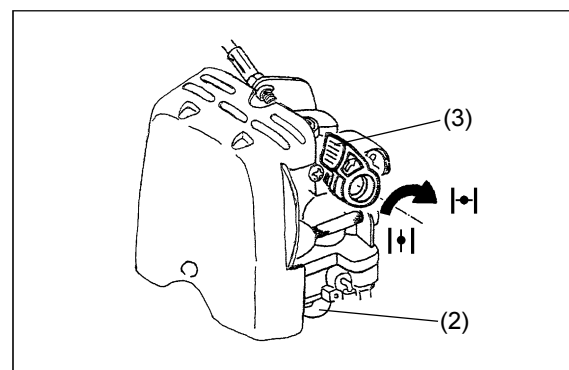
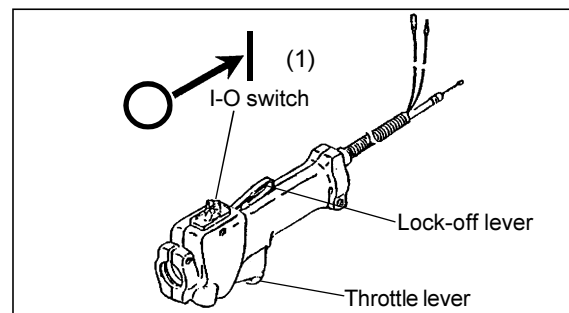
1. Move the I-O switch to the "I" position (1).
2. Push the primer pump (2) repeatedly (7 to 10 times) until fuel enters the bulb of pump.
3. Move the choke lever (3) into the "H" (vertical) position.
4. With one hand hold the engine firmly on the ground (4).
5. Pull the starter cord for approx. 10~15 cm until resistance can be felt.
6. Pull firmly (repeatedly if necessary) on the cord until the engine starts.
7. Return choke lever to position "I" after the engine has started. Note that the choke lever returns automatically when the throttle lever is operated. Squeeze the throttle lever together with the lock-off lever.
8. Warm up the engine at a moderate speed for approx. 1~2 minutes.
9. After the engine is warm the engine runs evenly and transition from low speed to high speed is smooth and without interruption.

Note: Pulling the starter rope repeatedly with the choke in "H" position results in excessive fuel intake, which can make it difficult for the engine to start. In the case of excessive fuel intake, remove the spark plug and pull the starter rope slowly to remove excess fuel. Dry the spark plug electrode and replace the spark plug.

Warm start (immediate restart after engine-stop)

Do not operate the choke (3) when restarting the engine immediately after stoppage. If the engine does not start, execute steps 1~8 as described above (cold start).

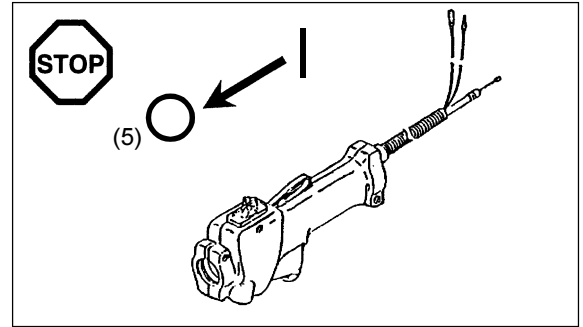
Note: Do not release the starter knob immediately after pulling the starter rope, but guide the knob back to its original position.



STOPPING THE ENGINE



1. Release the throttle lever.
2. Push the I-O switch to the "O" position (5) to stop the engine.

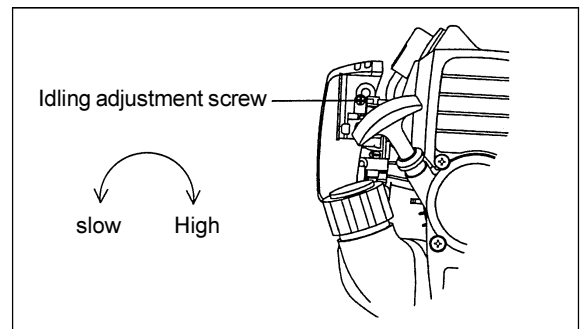


CHECKING AND ADJUSTING THE IDLING SPEED

The cutter blades of the pole hedge trimmer should not move when the throttle lever is released.

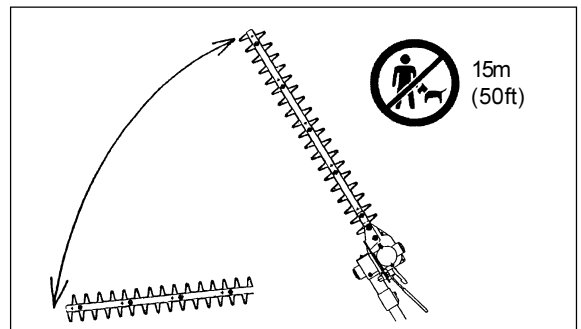
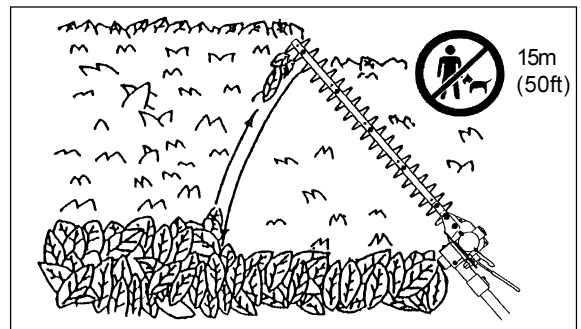
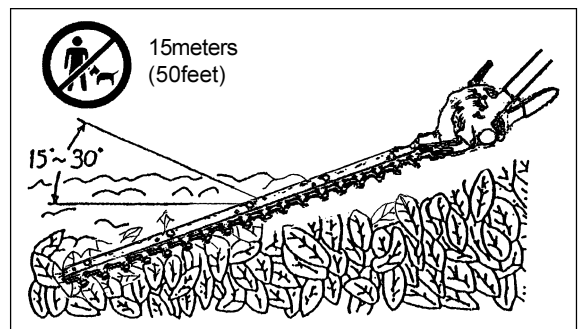
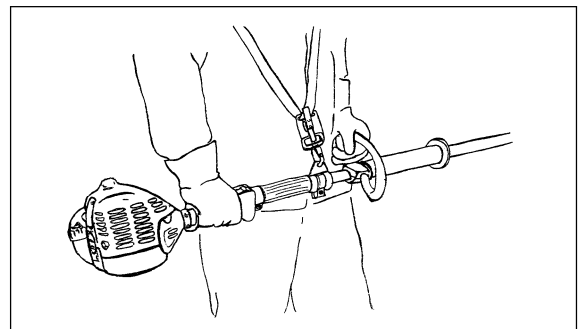
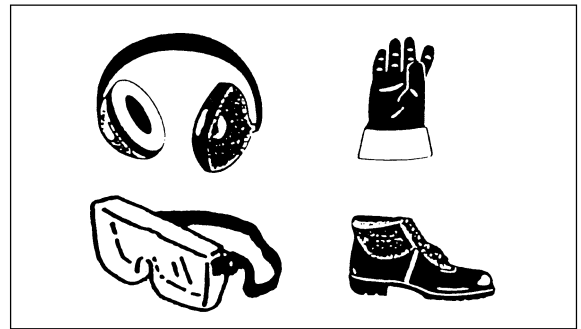
- The correct idling speed is 3000 min⁻¹. If necessary, adjust the idling speed using the idling adjustment screw (reduce revs until the cutter blades do not move anymore).

- Turn screw clockwise: Idling speed increases
 - Turn screw counter-clockwise: Idling speed decreases.
- Allow an adequate difference between the idling rate and the rate at which the clutch engages (reduce idling speed further if necessary). Should the cutter blades still move in spite of accurate idling speed settings, consult your nearest authorized service agent.
- The clutch should engage at a minimum rate of 4000 min⁻¹.
 - Check that the STOP switch, the lock-off lever and the throttle lever are all functioning properly.



OPERATING THE POLE HEDGE TRIMMER

- When working with the pole hedge trimmer, firmly grasp the handles with both hands.
- Do not touch the cutter blade portion of the pole hedge trimmer during operation, or when the engine is running.
- Take extra care not to inhale exhaust gases when working with the pole hedge trimmer. Never operate the pole hedge trimmer in an enclosed room or an area with insufficient ventilation (risk of suffocation and gas poisoning). Note that carbon monoxide is an odorless gas that is, it cannot be detected by the sense of smell.
- Always wear adequate protective wear before starting to work with the pole hedge trimmer.
- Stop the engine immediately if the muffler is not functioning properly.
- Only use the pole hedge trimmer in good light and visibility conditions.
- Do not operate the pole hedge trimmer in darkness or fog. Beware of slippery and wet areas (ice and snow) during the cold season (danger of slipping), and always ensure secure footing.
- Never use the pole hedge trimmer while standing on an unstable surface or a steep slope.
- Never use the pole hedge trimmer while standing on a ladder.
- Never climb a tree to use the pole hedge trimmer from the tree.
- Continuously check the working area for wires, cord, glass or other foreign objects that could get caught in the cutter blades.
- Confirm that the cutter blades are in rapid motion before starting to cut.
- Always grip the pole hedge trimmer with both hands and maintain a firm grip when working with the machine.
- To assure optimal control over the pole hedge trimmer, always completely wrap your hands around the handles (use your thumb for counter pressure) and apply a firm grip on the handles.
- Note that the cutter blades will remain in motion for up to two seconds after the throttle lever has been released.
- Do not cut with the pole hedge trimmer at low engine speed.
- The speed of the cutter blades cannot be adjusted properly with the throttle lever when the engine is running at low speed.
- To trim the top surface of a hedge, first align the cutting tool at an angle of 15°~30° in the cutting direction and keep the pole hedge trimmer in a horizontal position. Then start trimming the hedge using a swinging movement, much like drawing circle segments with the hedge trimmer shaft.
- To trim the sides of a hedge, align the blades parallel to the surface to be cut and start trimming with semi-circular upward (down-up) movements.
- Pay attention when trimming a hedge that has grown along a fence. Be especially careful not to allow the cutter blades from coming into contact with solid matter such as a metal fence. Cutting into solid matter such as metal, stone, concrete or thick wood may damage the blades and/or cause overall breakdown of the machine.
- Do not use the pole hedge trimmer over an extended period of time. As a general rule, for every 50 minutes of operation take a 10-20 minutes rest.
- If the cutter blades come into contact with stones or other solid objects, stop the engine immediately and check the blades for damage. Replace the blades if damaged.
- If the pole hedge cutter develops a problem during operation (strange noises, vibration, etc.), immediately stop the engine. Do not use the machine again until the problem has been recognized and solved.
- Always do your utmost to keep pollution and noise emissions as low as possible when operating the pole hedge trimmer. Pay special attention to correct carburetor adjustment and accurate gasoline/oil mixture.
- If thick branches get jammed in the cutter blades, immediately stop the engine, lay the equipment on the ground and remove the obstruction. Check the blades for damage before using the machine again.

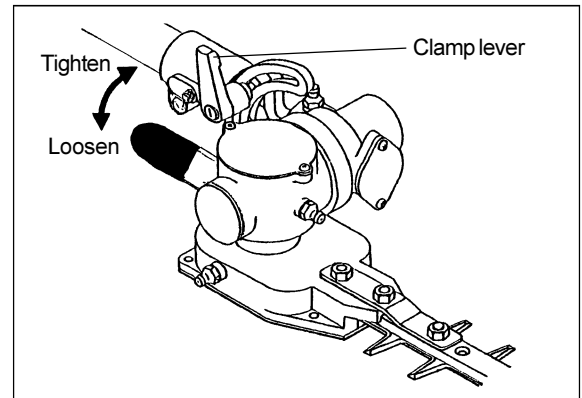


Adjustment of cutting angle

1. Stop the pole hedge trimmer engine and lay the machine on the ground.
2. To adjust the angle of the cutter unit, loosen the clamp lever located at the top of the cutter unit by turning it counter-clockwise.
3. Adjust the angle of the cutter unit and turn the clamp lever clockwise to secure.
 - The cutter unit can be adjusted anywhere between 45° and 90°.

Note:

- Do not adjust the cutter unit while the pole hedge trimmer is in an upright position.
- Move the I-O switch to the "O" position and lay the pole hedge trimmer flat on the ground to adjust the cutting angle.
- Always secure the blades with the blade cover provided before adjusting cutting angle.



MAINTENANCE

- Before performing any maintenance work on the pole hedge cutter (blade cleaning, etc.), always stop the engine and wait until the engine has cooled down. As an additional safety precaution, also remove the spark plug cap.
- Do not try to straighten or weld a bent or broken cutting blade. Always replace damaged blades.
- Stop the engine at regular intervals to check the cutter blades for possible damage (perform a tapping-resonance test to detect hard-to-see hairline cracks). Always make sure that the teeth of the blades are sharp.
- Clean the pole hedge trimmer at regular intervals. During cleaning also check that all screws, nuts and bolts are well tightened.
- To reduce the risk of fire, never service or store the pole hedge trimmer in the vicinity of open fires.
- Always wear rugged protective gloves when handling the cutter blades.
- Contact your dealer for replacement cutter blades.



Sharpening the blade

If the cutting blades have become blunt and cutting performance is poor, have the blades sharpened by an authorized service agent.

Blade adjustments

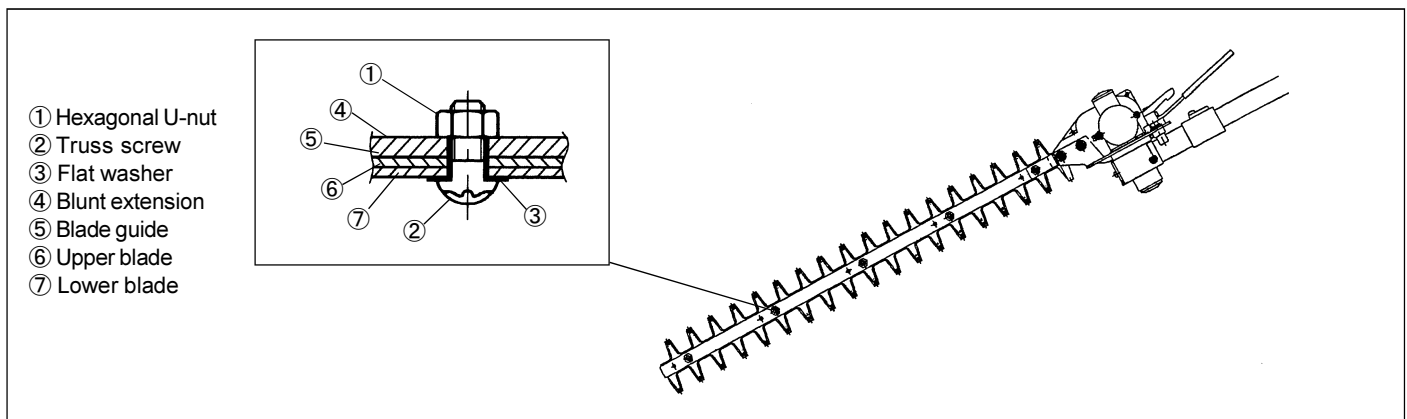


Extended use of the pole hedge trimmer will gradually wear down the blades. Readjust the blades if cutting performance deteriorates noticeably. For adjustment of the blades follow the instructions below.

1. Release nut ①.
2. Tighten screw ② lightly until resistance is felt. Then turn the screw in the opposite direction for a quarter or half turn.
3. Hold screw ② in place with a screwdriver and tighten nut ①.
4. After adjustment lubricate the blades with a thin film of light oil.
5. Start the engine and pull the throttle lever several times to set the blades in motion. Continue for approx. one minute.
6. Stop the engine and wait until the blades come to a standstill. Cautiously touch the blades with your bare hand. Adjustment is correct if the blades are warm, but not too hot to touch. If the blades are too hot to be touched, release screw ② for another quarter to half a turn and repeat steps 5~6 to confirm proper adjustment.

NOTE: Always stop the engine and remove the spark plug cap before adjusting the blades!

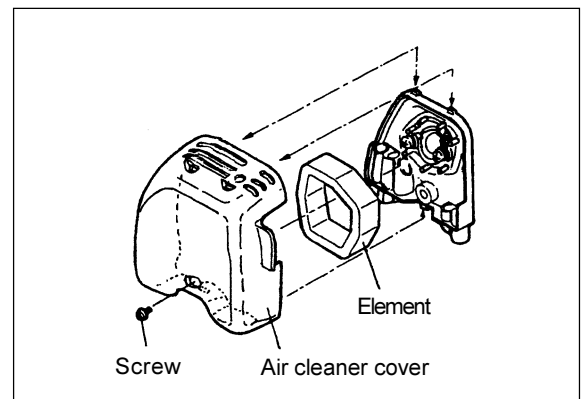
The blades have grooves around the truss screws ②. Always keep these grooves clean so that they can be inspected for possible damage.



Cleaning the air cleaner - Every 8 hours (daily)

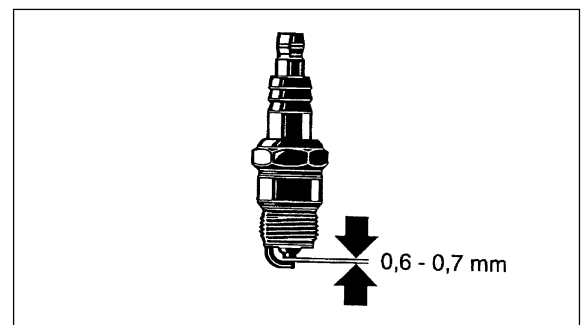
- Remove the air cleaner cover.
- Remove the sponge element. Wash the sponge element in lukewarm water and allow to dry completely.
- Replace the cleaned and dried sponge element and then replace the air cleaner cover.

Note: Clean the air cleaner on a daily basis. A clogged air cleaner may make it difficult or impossible to start and/or accelerate the engine.



Checking the spark plug - Every 8 hours (daily)

- Only use the universal wrench provided to remove and replace the spark plug.
- The spark plug gap should be 0.6~0.7 mm. Adjust the spark plug gap if it is too wide or too narrow. Clean or replace the spark plug if contaminated and/or clogged with carbon residue. Always replace with the same type of spark plug.

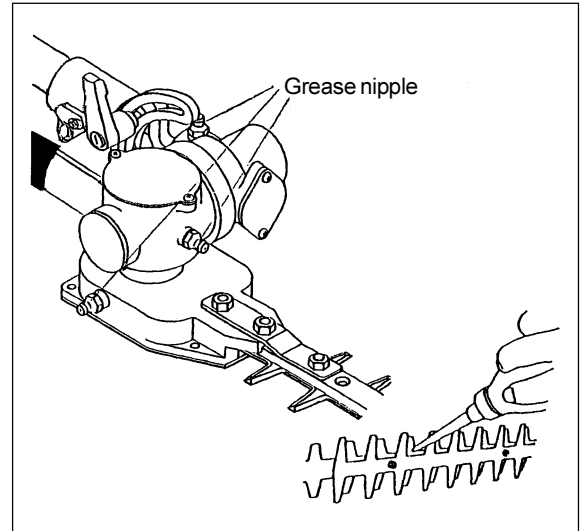




Adding grease and lubricant

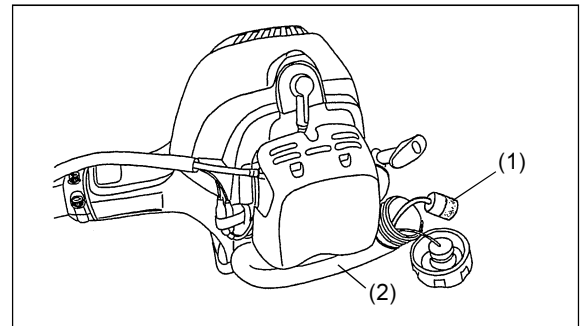
- The gearbox of the pole hedge trimmer should be greased every 20 working hours. Add approx. 10cc of lubricant (Shell Alvania No. 3 or equivalent) to the gearbox via the grease nipples. (Some grease will emerge from the head of the gearbox (located at the base of the blade) when the pole hedge trimmer is set in motion the first time after greasing. Use this as a rough indicator for the amount of grease to supply.)

Note: Observe greasing intervals and the amount of grease to be supplied. Mechanical parts of the pole hedge trimmer may be damaged if grease is not supplied at the prescribed intervals or if an insufficient amount of grease is added.



Fuel tank filter

- The inside of the fuel tank is equipped with a filter (1) that cleans the fuel before it enters the carburetor.
- Visually check the filter at regular intervals. To do so, use a piece of wire formed into a hook and draw the filter out of the tank (2). Replace the filter if it is hardened, clogged up, or excessively contaminated.
- Inadequate fuel supply as a result of a deteriorated fuel filter may result in poor engine performance. In order to ensure that the required amount of fuel enters the carburetor, replace the fuel filter whenever in doubt of its condition.



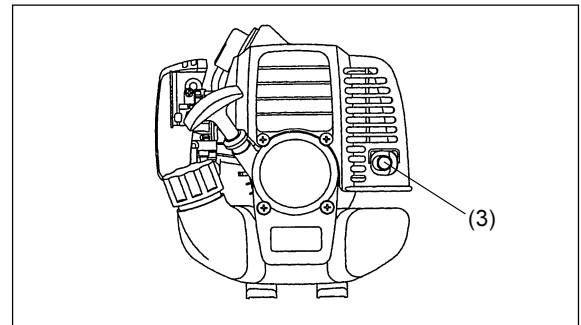
Cleaning the muffler outlet

- Check the condition of the muffler outlet (3) at regular intervals.
- Use a suitable tool to remove excessive carbon residue that accumulates around the muffler outlet. Take special care to prevent removed carbon residue from entering engine parts.

Cleaning the spark arrester

- The spark arrester should be cleaned every 50 working hours.
- Have the spark arrester cleaned at your dealership or by an authorized service agent.

For all maintenance work not mentioned in this instruction manual, please contact your dealership or an authorized service agent.



Daily inspection and maintenance

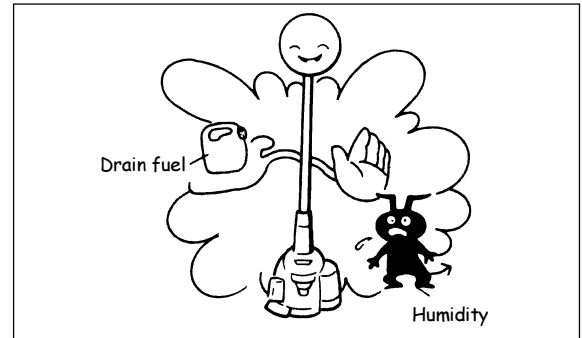
To ensure a long service life of your pole hedge trimmer, perform the following inspections and maintenance on a daily basis.

- Always check for loose or missing parts before starting operation. Pay special attention to the cutting unit and make sure that the cutter blade lock screws are well tightened.
- Check for clogging of the cooling air passages and the cooling fins of the cylinder before starting operation. Clean if necessary.
- Each day after using the pole hedge trimmer perform the following.
 - Clean the outside of the pole hedge trimmer; check for damage and loose parts.
 - Clean the air filter. Clean the filter several times a day if working in extremely dusty conditions.
 - Check the cutter blades for damage. Make sure that the blades are securely mounted.

STORAGE

If the pole hedge trimmer is to be stored for an extended period of time, proceed as follows:

- Drain all fuel from the tank and carburetor.
- Remove the spark plug and add a few drops of two-stroke oil through the spark plug hole. Gently pull out the starter rope to ensure that the oil is evenly distributed inside the engine. Replace and tighten the spark plug.
- Clean the entire pole hedge trimmer and apply a thin layer of oil to the metallic surfaces of the machine. Secure and protect the blades with the blade cover provided. Store the pole hedge trimmer in location that is free of humidity.



MAINTENANCE SCHEDULE

General	Engine Screws, nuts, bolts	Check general condition and safety Visually check for damage Confirm that screws, nuts and bolts are secure
After refueling	Throttle lever Lock-off lever STOP switch	Check functioning Check functioning Check functioning
Daily	Air filter Cooling air duct Cutting tool Idling	Clean Clean Check for damage, confirm sharp Confirm that the cutter blades are not in motion
Every 20 hours	Gearbox	Add grease
Weekly	Spark plug Muffler	Check, replace if necessary Check, clean outlet if necessary
Quarter annually	Fuel filter Fuel tank	Clean or replace, if necessary Clean inside
Before extended storage	Fuel tank Carburetor	Drain tank Keep engine running until fuel runs out

TROUBLESHOOTING

Problem	System	Observation	Cause
Engine does not start or difficulty starting	Ignition	Ignition spark is present	Problem with fuel supply or compression system, mechanical defect
		No ignition spark	STOP switch in OFF-position, broken wire, defective spark plug or connector, defective ignition module
	Fuel supply	Fuel available	Wrong choke setting, defective carburetor, fuel filter contaminated, broken or bent fuel hose
	Compression	Inside engine	Defective cylinder gasket, damaged crankshaft seals, defective piston and/or cylinder rings
Outside engine		Loose spark plug	
Warm start problems	Mechanical	Starter not functional	Defective starter spring, mechanical defect inside engine
		Fuel available Ignition functioning	Carburetor contaminated (have carburetor cleaned)
Engine starts but stalls immediately	Fuel supply	Fuel available	Incorrect idling adjustment, carburetor or fuel filter contaminated Defective fuel tank vent, broken fuel hose, defective STOP switch (loose contact, etc.)
Poor performance	Several systems may be affected simultaneously	Engine idling	Contaminated air filter, carburetor contaminated, clogged muffler, clogged cylinder exhaust duct

EMISSION COMPLIANCE PERIOD

For handheld engine : The Emissions

Compliance Period referred to on the Emissions

Compliance label indicates the number of operating hours for which the engine has been shown to meet Federal emission requirements.

Category C=50 hours, B=125 hours, and A=300 hours.

FEDERAL EMISSION COMPONENT DEFECT WARRANTY

EMISSION COMPONENT DEFECT WARRANTY COVERAGE - This emission warranty is applicable in all States, except the State of California

Makita U.S.A., Inc., La Mirada, California, (herein "MAKITA") warrant to the initial retail purchaser and each subsequent owner, that this utility equipment engine (herein "engine") was designed, built, and equipped to conform at the time of initial sale to all applicable regulations of the U.S. Environmental Protection Agency (EPA), and that the engine is free of defects in materials and workmanship which would cause this engine to fail to conform with EPA regulations during its warranty period.

For the components listed under PARTS COVERED, Makita Factory Service Center or service center authorized by MAKITA will, at no cost to you, make the necessary diagnosis, repair, or replacement necessary to ensure that the engine complies with applicable U.S. EPA regulations.

EMISSION COMPONENT DEFECT WARRANTY PERIOD

The warranty period for this engine begins on the date of sale to the initial purchaser and continues for a period of 2 years.

PARTS COVERED

Listed below are the parts covered by the Emission Component Defect Warranty. Some of the parts listed below may require scheduled maintenance and are warranted up to the first scheduled replacement point for that part.

- 1) Fuel Metering System
 - (i) Carburetor and internal parts
 - (ii) Fuel filter, if applicable
 - (iii) Throttle stopper, if applicable
 - (iv) Choke System, if applicable
- 2) Air Induction System
 - (i) Air cleaner plate
 - (ii) Air cleaner case
 - (iii) Air cleaner element

- 3) Ignition System
 - (i) Spark plug
 - (ii) Flywheel Magneto
 - (iii) Ignition Coil
- 4) Miscellaneous Items Used in Above Systems
 - (i) Fuel hoses, clamps and sealing gaskets

OBTAINING WARRANTY SERVICE

To obtain warranty service, take your engine to the nearest Makita Factory Service Center or Service Center authorized by MAKITA. Bring your sales receipts indicating date of purchase for this engine. The dealer or service center authorized by MAKITA will perform the necessary repairs or adjustments within a reasonable amount of time and furnish you with a copy of the repair order. All parts and accessories replaced under this warranty become the property of MAKITA.

WHAT IS NOT COVERED

- * Conditions resulting from tampering, misuse, improper adjustment (unless they were made by the dealer or service center authorized by MAKITA during a warranty repair), alteration, accident, failure to use the recommended fuel and oil, or not performing required maintenance services.
- * The replacement parts used for required maintenance services.
- * Consequential damages such as loss of time, inconvenience, loss of use of the engine or equipment, etc.
- * Diagnosis and inspection charges that do not result in warranty-eligible service being performed.
- * Any non-authorized replacement part, or malfunction of authorized parts due to use of non-authorized parts.

OWNER'S WARRANTY RESPONSIBILITIES

As the engine owner, you are responsible for the performance of the required maintenance listed in your owner's manual, MAKITA recommends that you retain all receipts covering maintenance on your engine, but MAKITA can not deny warranty solely for the lack of receipts or for your failure to ensure the performance of all scheduled maintenance.

As the engine owner, you should however be aware that the MAKITA may deny your warranty coverage if your engine or a part has failed due to abuse, neglect, improper maintenance or unapproved modifications.

You are responsible for presenting your engine to the nearest Makita Factory Service Center or service center authorized by MAKITA when a problem exists.

If you have any questions regarding your warranty rights and responsibilities, you should contact the Makita Warranty Service Department at 1-800-4-MAKITA for the information.

THINGS YOU SHOULD KNOW ABOUT THE EMISSION CONTROL SYSTEM WARRANTY

MAINTENANCE AND REPAIRS

You are responsible for the proper use and maintenance of the engine. You should keep all receipts and maintenance records covering the performance of regular maintenance in the event questions arise. These receipts and maintenance records should be transferred to each subsequent owner of the engine. MAKITA reserves the rights to deny warranty coverage if the engine has not been properly maintained. Warranty claims will not be denied, however, solely because of the lack of required maintenance or failure to keep maintenance records.

MAINTENANCE, REPLACEMENT OR REPAIR OF EMISSION CONTROL DEVICES AND SYSTEMS MAY BE PERFORMED BY ANY REPAIR ESTABLISHMENT OR INDIVIDUAL; HOWEVER, WARRANTY REPAIRS MUST BE PERFORMED BY MAKITA FACTORY SERVICE CENTER OR SERVICE CENTER AUTHORIZED BY MAKITA. THE USE OF PARTS THAT ARE NOT EQUIVALENT IN PERFORMANCE AND DURABILITY TO AUTHORIZED PARTS MAY IMPAIR THE EFFECTIVENESS OF THE EMISSION CONTROL SYSTEM AND MAY HAVE A BEARING ON THE OUTCOME OF WARRANTY CLAIM.

If other than the parts authorized by MAKITA are used for maintenance replacements or for the repair of components affecting emission control, you should assure yourself that such parts are warranted by their manufacturer to be equivalent to the parts authorized by MAKITA in their performance and durability.

HOW TO MAKE A CLAIM

All repairs qualifying under this limited warranty must be performed by Makita Factory Service Center or service center authorized by MAKITA. In the event that any emission-related part is found to be defective during the warranty period, you shall notify Makita Warranty Service Department at 1-800-4-MAKITA and you will be given the appropriate warranty service facilities where the warranty repair can be performed.

Nous vous remercions pour l'achat de la Taille haie à Rallonge DOLMAR. Nous sommes heureux de pouvoir vous offrir un produit qui est le fruit d'un programme de développement intensif et de plusieurs années de savoir et d'expérience. Prière de lire entièrement ce manuel avant d'utiliser l'appareil et de suivre les instructions données afin d'obtenir le meilleur résultat et le bon fonctionnement de la Taille haie à Rallonge DOLMAR.

Table des matières	Page
Symboles	21
Consignes de sécurité	22~25
Spécifications	26
Nomenclature	27
Raccordement de la taille haie à la rallonge	28
Montage de la poignée	28
Utilisation de la bandoulière	28
Alimentation en carburant	29
Précautions avant démarrage du moteur	30
Démarrage du moteur	30
Arrêt du moteur	31
Vérification et réglage de la vitesse de marche à vide	31
Fonctionnement de la taille haie à rallonge	32~33
Entretien	33~35
Remisage	36
Programme d'entretien	36
Dépannage	36



SYMBOLES

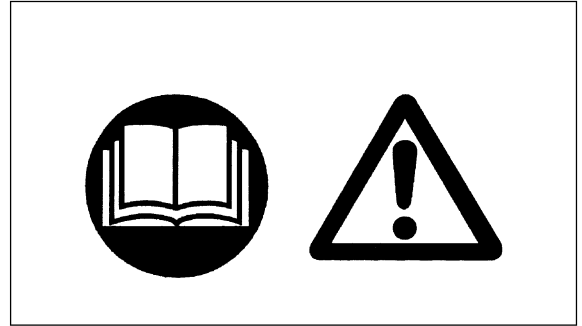
Prière de noter les symboles suivants en lisant le manuel d'instructions.

	AVERTISSEMENT/DANGER		Faire attention à ne pas se faire pincer
	Avant toute utilisation, lire attentivement et comprendre les instructions dans ce manuel.		Faire attention aux lignes électriques, risque d'électrocution
	INTERDICTION		Essence/ mélange de carburant
	Interdit de fumer		Démarrage manuel du moteur
	Pas de flamme nue		Arrêt d'urgence
	Port de chaussures de protection		Premiers secours
	Port de gants de protection		Recyclage
	Maintenir toute personne et tout animal à l'écart de la zone de travail		On/Démarrage
	Porter un casque de protection et des protections visuelles et auditives		Off/Arrêt

CONSIGNES DE SÉCURITÉ

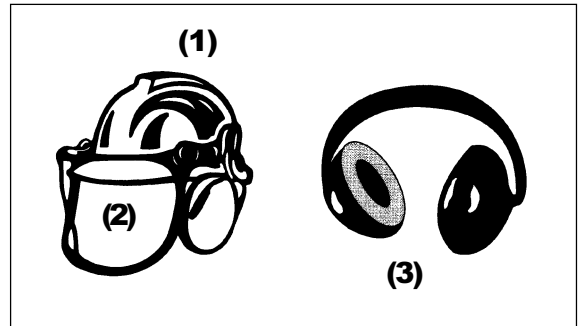
Instructions générales

- Avant d'utiliser la machine, l'utilisateur doit lire ce manuel d'instructions afin de se familiariser avec la manipulation de la taille haie à rallonge. **CET APPAREIL PEUT CAUSER DES BLESSURES GRAVES S'IL N'EST PAS CORRECTEMENT UTILISÉ !**
- Il faut toujours donner des instructions détaillées sur l'utilisation de la taille haie à rallonge avant de la prêter à une autre personne. S'assurer de leur remettre le manuel d'instructions avec la machine.
- Les utilisateurs novices doivent demander au revendeur de leur expliquer les instructions de base pour la manipulation de la taille haie à rallonge.
- Ranger le manuel dans un endroit facilement accessible en cas de besoin.
- Les jeunes gens de moins de 18 ans ne doivent pas être autorisés à utiliser la taille haie à rallonge. Cependant, les jeunes de plus de 16 ans peuvent apprendre à utiliser la machine sous la surveillance d'un adulte expérimenté dans l'utilisation de la taille haie à rallonge.
- Utiliser la taille haie à rallonge avec le plus de soin et d'attention possibles.
- Il y a un risque de blessures graves si la taille haie à rallonge est utilisée dans les circonstances suivantes. Ne pas utiliser la taille haie à rallonge :
 - En cas de maladie ou de fatigue.
 - Après absorption d'alcool et/ou de médicaments.
 - La nuit ou dans de mauvaises conditions d'éclairage.
 - En cas de grossesse.



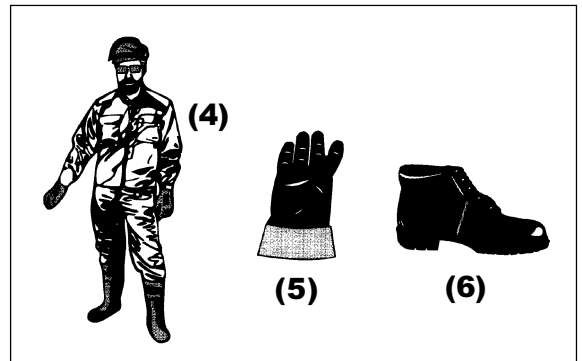
Application

- La taille haie à rallonge est destinée uniquement à couper les haies et les buissons avec des branches d'un diamètre maximum de 6 mm. La machine ne doit jamais être utilisée pour autre chose.



Équipement personnel de protection

- Les vêtements doivent être fonctionnels et adaptés, ils doivent par exemple être serrés sans toutefois entraver les mouvements. Ne pas porter de bijoux ou de vêtements qui risquent de s'accrocher dans les buissons ou la machine.
- Porter l'équipement et les vêtements de protection suivants lors de l'utilisation de la taille haie à rallonge pour éviter tout risque de blessures à la tête, aux yeux, aux mains ou aux pieds et pour protéger son ouïe.
- Pour se protéger la tête et les yeux, porter toujours un casque de protection (1) avec des lunettes ou une visière (2).
- Porter toujours un équipement de protection contre le bruit approprié pour éviter une détérioration de l'ouïe (3).
- Il est vivement conseillé de porter une combinaison de travail (4).
- Porter toujours des gants de travail (5) en cuir épais lors de l'utilisation de la taille haie.
- Lors de l'utilisation de la taille haie, il faut toujours porter des chaussures solides munies d'une semelle antidérapante. Les chaussures spécial travail permettent d'éviter tout risque de blessure et de déséquilibre.



Démarrage de la taille haie à rallonge

- Il faut toujours aménager une zone de sécurité de 15 mètres autour de la zone de travail. S'assurer qu'aucune autre personne (en particulier les enfants) et/ou qu'aucun animal ne se trouve dans la zone de travail. Eviter, en général, d'utiliser la taille haie si des personnes (et en particulier des enfants) se trouvent à proximité.
- Vérifier toujours que la taille haie peut fonctionner en toute sécurité avant de la démarrer.
- Vérifier le fonctionnement du mécanisme de sécurité du levier des gaz. Le levier de déverrouillage doit pouvoir être actionné facilement. Le vérifier. Vérifier que les poignées sont propres et sèches et essayer le bouton d'arrêt STOP pour voir s'il fonctionne correctement.

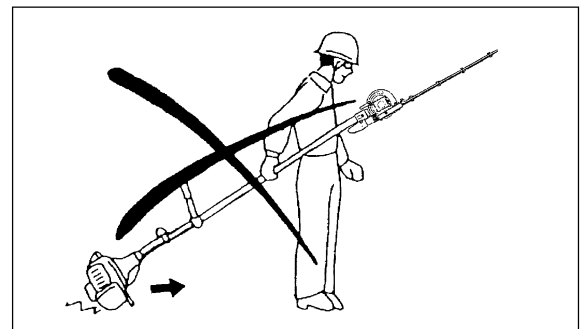
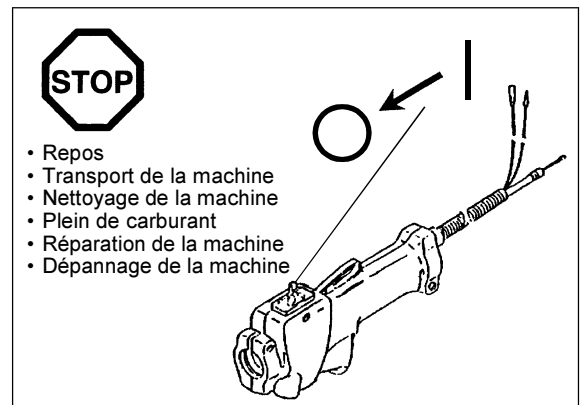
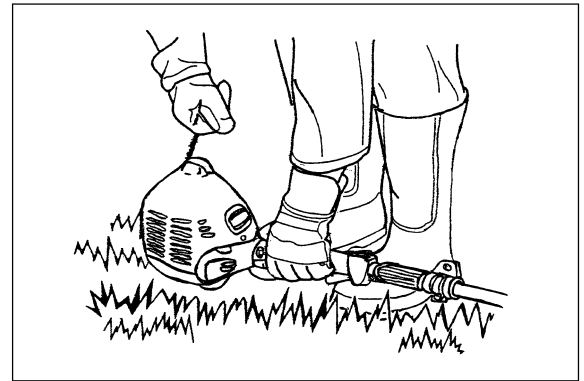
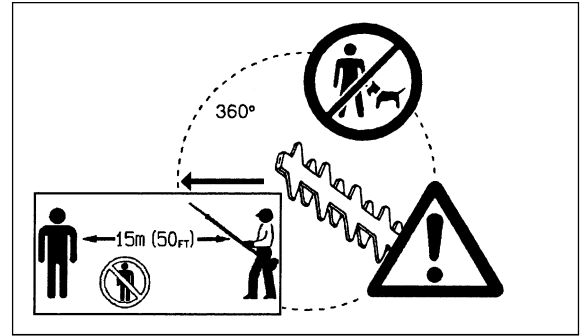
Mettre la taille haie en marche en appliquant strictement les instructions données dans ce manuel.

Suivre les instructions ci-dessous pour démarrer la taille haie à rallonge

- Ne démarrer la taille haie qu'une fois entièrement montée et tous les accessoires fixés.
- Avant de démarrer le moteur, s'assurer que l'outil de coupe n'est pas en contact avec des objets durs tels que des branches ou des pierres.
- Arrêter immédiatement le moteur en cas de problèmes.
- Tenir toujours la taille haie des deux mains lors du fonctionnement. Mettre les doigts bien autour de chaque poignée et serrant le pouce et l'index. Pour garder le contrôle de la taille haie, éviter de changer la poignée de main pendant l'utilisation. Vérifier que les poignées sont en bonne condition sans humidité, ni terre, huile ou graisse.

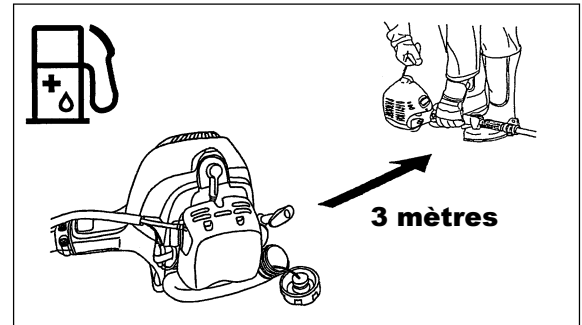
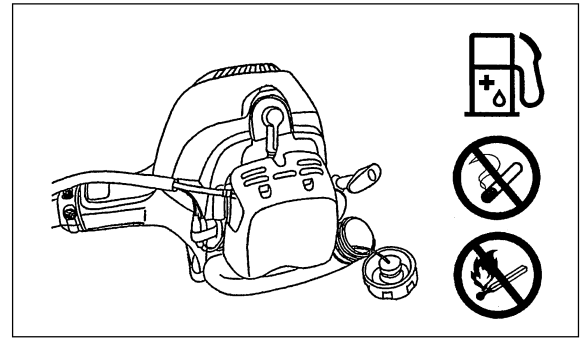
Assurer toujours une position équilibrée des pieds

- Utiliser la taille haie uniquement à l'extérieur.
- Arrêter toujours le moteur immédiatement et ne plus utiliser la machine en cas de problème ou si elle émet un bruit étrange.
- Les gaz d'échappement sont toxiques. Ne jamais utiliser la machine dans un endroit clos ou dans un tunnel sans ventilation (risque d'asphyxie et d'intoxication). Noter que le gaz carbonique est sans odeur. Vérifier que les endroits où la machine est utilisée est bien ventilé.
- Arrêter le moteur pour se reposer ou lorsque la taille haie est sans surveillance. Placer l'appareil dans un endroit sûr loin de tout produit combustible.
- Ne jamais placer la taille haie chaude sur du gazon sec ou un produit combustible.
- Pour réduire le risque d'incendie, garder le moteur et le pot d'échappement libre de tout débris ou feuilles et sans excès de lubrifiant.
- Ne jamais utiliser le moteur si le pot d'échappement ne fonctionne pas.
- Arrêter le moteur avant le transport.
- Arrêter toujours le moteur dans les conditions suivantes :
 - Repos
 - Transport de la machine
 - Nettoyage de la machine
 - Plein de carburant
 - Réparation de la machine
 - Dépannage de la machine
- Lors du transport de la taille haie dans un véhicule, bien l'attacher pour éviter toute fuite de carburant résiduel.
- Vider toujours le réservoir de carburant avant de transporter la taille haie dans un véhicule.
- En déchargeant la machine d'un véhicule, faire attention à ne pas la faire tomber sur le sol ce qui risque d'endommager sérieusement le réservoir de carburant.
- Sauf en cas d'urgence, ne jamais laisser tomber la taille haie au risque de l'endommager.
- Pour transporter la taille haie, la soulever complètement du sol. Ne jamais tirer le moteur sur le sol au risque d'endommager le réservoir de carburant et de provoquer un incendie.
- Utiliser toujours le couvercle de la lame de coupe fourni pour protéger et fixer la section de coupe de la taille haie lors du transport ou du rangement.



Ravitaillement

- Arrêter le moteur avant le ravitaillement en carburant.
- Pendant le ravitaillement, se tenir à l'écart des flammes nues.
- Ne pas fumer pendant le ravitaillement.
- Laisser le moteur refroidir avant d'effectuer le ravitaillement.
- Faire attention à ne pas laisser la peau en contact avec les produits pétroliers. Ne pas inhaler les vapeurs de carburant et porter toujours des gants de protection lors du ravitaillement. Changer et nettoyer régulièrement les vêtements de protection.
- Faire très attention à ne pas renverser le carburant et l'huile sur le sol pour ne pas le contaminer (protection de l'environnement). Si le carburant ou l'huile vient à se renverser dans la taille haie, essuyer immédiatement la surface avec un chiffon. Pour éviter une combustion spontanée, laisser sécher suffisamment les chiffons avant de les jeter dans un récipient approprié et couvert.
- Faire attention à ne pas salir les vêtements avec le carburant. Changer immédiatement de vêtements s'ils sont contaminés par le carburant (risque d'incendie).
- Fermer le réservoir de carburant et serrer le bouchon. Pour redémarrer le moteur, déplacer la taille haie à 3 mètres de l'endroit de ravitaillement.
- Vérifier le bouchon du réservoir de carburant à intervalles réguliers pour s'assurer qu'il est bien fermé.
- Ne jamais ravitailler la machine dans un endroit clos. Les vapeurs de carburant s'accumulent au niveau du sol (risque d'explosion).
- Ranger le carburant dans des récipients adéquats uniquement et s'assurer qu'ils sont hors de portée des enfants.
- Pour éviter d'endommager les lignes de carburant et les pièces du moteur, éviter d'utiliser du carburant contenant de l'éthanol ou du méthanol (types d'alcool) lors du mélange de carburant avec de l'huile à moteur à deux cycles.



Fonctionnement

- Pendant le fonctionnement, tenir toujours la taille haie avec les deux mains.
- Utiliser la taille haie seulement dans des conditions de bonne visibilité et de lumière adéquate. Faire attention aux endroits glissants et mouillés (verglas et neige) pendant la saison froide (danger de glissade) et assurer toujours une bonne stabilité sur les pieds.
- Ne jamais utiliser la taille haie en se tenant sur une surface instable ou une pente.
- Ne jamais utiliser la taille haie en se tenant sur une échelle.
- Ne jamais grimper sur un arbre pour utiliser la taille haie.
- Pour éviter de basculer ou de tomber sur des objets, ne jamais marcher à reculons en travaillant avec la taille haie.
- Arrêter toujours le moteur avant le nettoyage et la réparation de la machine. Éviter de remplacer des pièces alors que le moteur est encore en marche.
- Ne pas utiliser la taille haie si la lame de coupe est endommagée ou cassée.



Instructions d'entretien

- Faire très attention à maintenir la pollution et les émissions de bruit aussi bas que possible lors de l'utilisation de la taille haie. Faire attention à régler en particulier le carburateur.
- Régler périodiquement la taille haie à rallonge et vérifier régulièrement si tous les boulons et les vis sont fermement serrés.
- Ne jamais réparer ou ranger la taille haie à proximité de flammes nues, bougies ou autres.
- Vider le réservoir de carburant avant de ranger la machine dans un endroit bien ventilé et fermant à clé. -Faire attention à toujours garder la taille haie hors de portée des enfants.
- Pour éviter tout dommage et/ou accident, ne pas faire réparer la machine par une personne non qualifiée. Pour la réparation, s'adresser toujours au revendeur ou à un réparateur agréé.



Ne pas tenter de modifier ou de remodeler la taille haie au risque de rendre son utilisation dangereuse.

Le travail d'entretien pouvant être effectué par l'utilisateur est limité aux activités décrites dans le manuel d'instructions. Toute autre procédure doit être effectuée par un réparateur agréé.

Utiliser uniquement les pièces de rechange et les accessoires d'origine fournis par DOLMAR via des centres après-vente agréés.

L'utilisation d'accessoires et d'outils non autorisés augmente le risque d'accident et de blessure.

DOLMAR n'assume aucune responsabilité en cas d'accident ou de dommage suite à l'utilisation de pièces et d'accessoires non autorisés.

Premier secours

Vérifier qu'une boîte de premier secours est toujours disponible à proximité du lieu de travail par précaution.

Remplacer immédiatement tout article prélevé dans la boîte de premier secours.

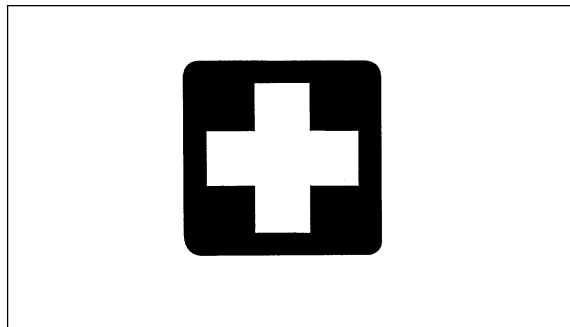
En demandant du secours en cas d'urgence, indiquer les informations suivantes :

- Le lieu de l'accident
- Description de l'accident
- Le nombre de personnes blessées
- Le type de blessures
- Votre nom

Emballage

La Taille haie à Rallonge est livrée dans un carton de protection afin d'éviter tout dommage au cours du transport.

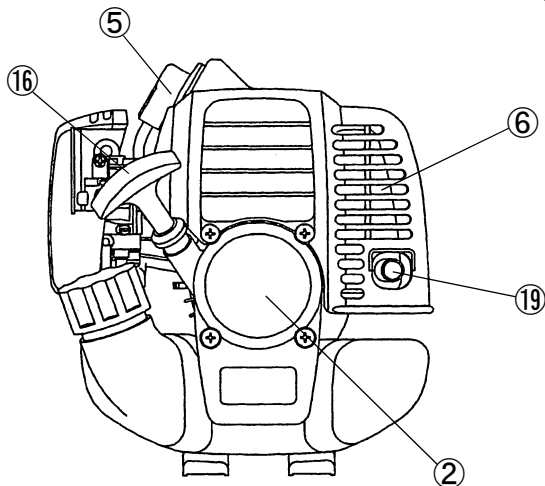
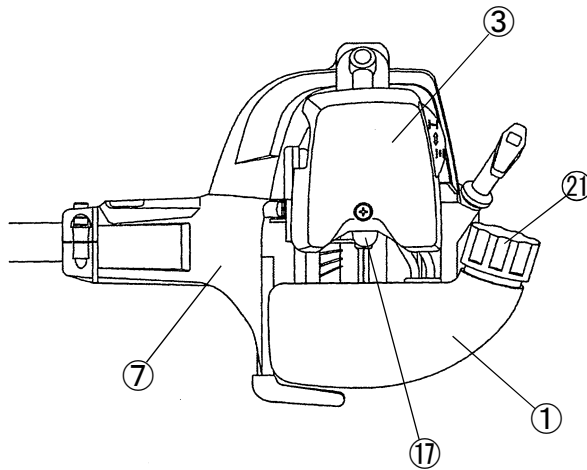
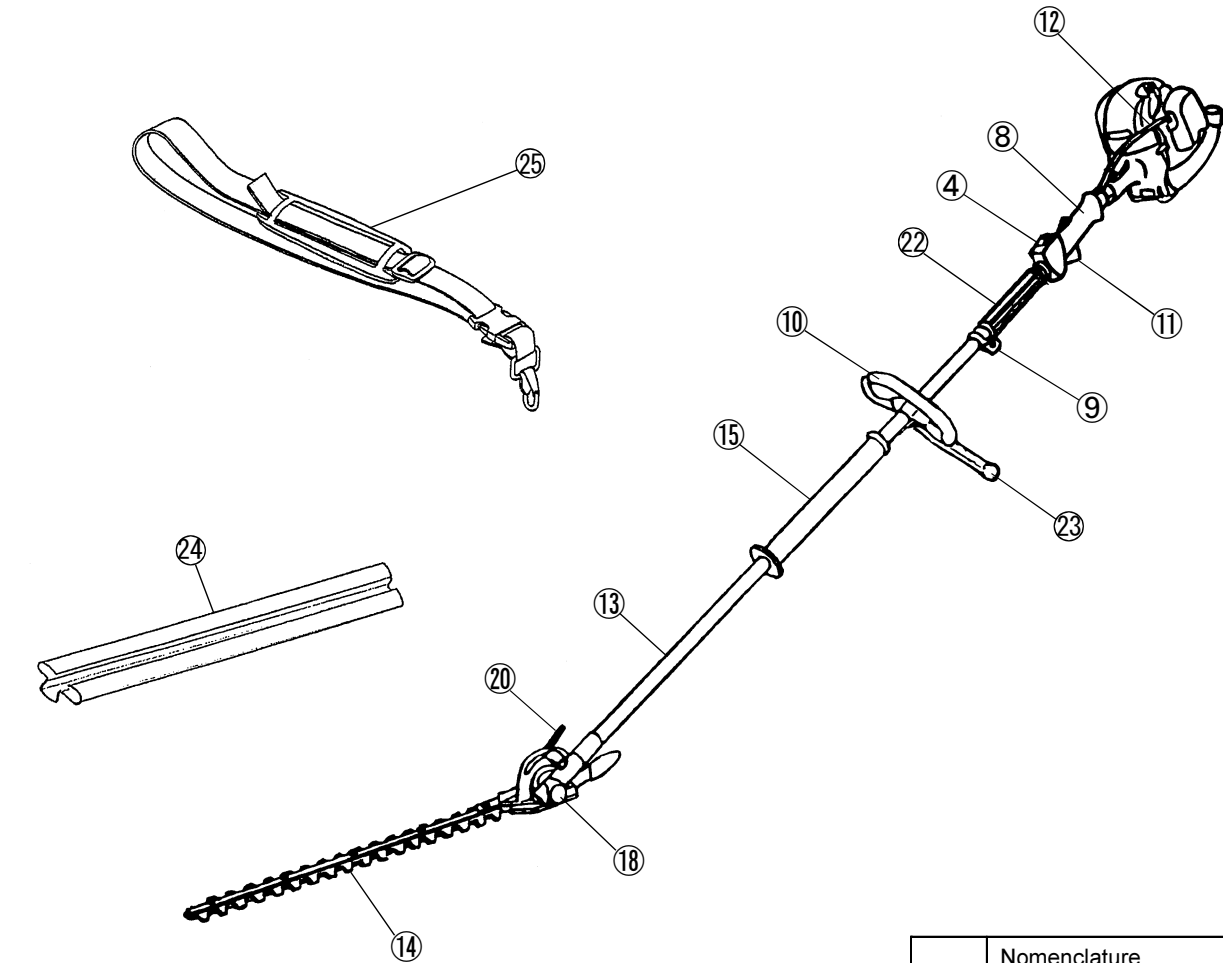
Le carton est une matière première réutilisable ou recyclable (recyclage des vieux papiers).



SPÉCIFICATIONS : MH-2556

Modèle		MH-2556
		Poignée et manche
Dimensions (L x P x H)	mm	2400 x 350 x 220
Poids	kg	6.1
Volume (réservoir de carburant)	L	0.65
Longueur de coupe	mm	535
Cylindrée du moteur	cm ³	24.5
Puissance maximale du moteur		0.75 kW à 7000 min ⁻¹
Vitesse du moteur A vitesse max. recommandée	min ⁻¹	10,000
Consommation de carburant	kg/h	0.54
Consommation de carburant spécifique	g/kWh	735
Vitesse de marche à vide	min ⁻¹	3000
Vitesse d'embrayage	min ⁻¹	4100
Carburateur (Carburateur diaphragme)	type	WALBRO WYJ
Système d'allumage	type	Allumage monolithique
Bougie d'allumage	type	NGK BMR7A
Ecartement des électrodes	mm	0.6-0.7
Mélange (carburant:huile 2 temps DOLMAR)		50:1
Rapport d'engrenage		1/4

NOMENCLATURE



Nomenclature	
1	Réservoir de carburant
2	Démarrreur de retour
3	Epurateur d'air
4	Interrupteur I-O (ON/OFF)
5	Bougie d'allumage
6	Silencieux
7	Carter d'embrayage
8	Manche arrière
9	Anneau d'accrochage
10	Poignée
11	Levier d'étrangleur
12	Câble d'étrangleur
13	Axe
14	Lames de coupe
15	Manche avant
16	Bouton du démarrreur
17	Pompe de démarrage
18	Boîte de vitesses
19	Pot d'échappement
20	Levier de serrage
21	Bouchon du réservoir de carburant
22	Collier d'espacement
23	Barrière
24	Cache lame
25	Bandoulière

RACCORDEMENT DE LA TAILLE-HAIE À LA RALLONGE

Important:

S'assurer que le moteur est arrêté et retirer le cache de la bougie d'allumage avant d'assembler la taille haie à rallonge.

Porter des gants de protection!

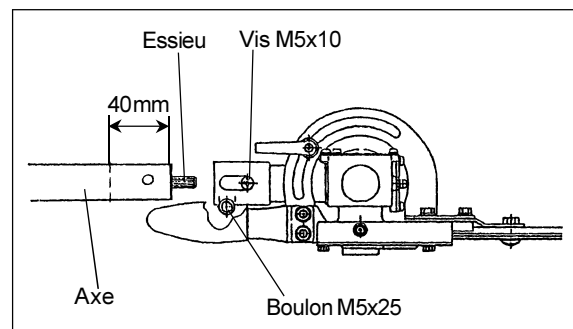
Couvrir les lames avec le cache lors du raccordement de la taille haie à la rallonge.

- Desserrer la vis M5x10 et le boulon M5x25.
- Insérer l'axe dans la boîte à vitesses.

Remarque: S'assurer que l'axe est complètement inséré dans la boîte à vitesses (environ 40 mm/1.57").

En cas de problème pour insérer l'axe, tourner manuellement l'essieu de commande et essayer de nouveau.

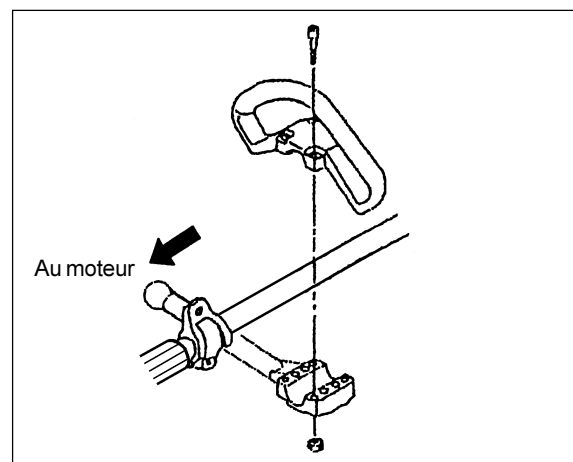
- Confirmer que l'axe est correctement inséré, puis serrer la vis M5x10 et le boulon M5x25.



FIXATION DE LA POIGNÉE

- Fixer la barrière de protection avec la poignée de façon à ce qu'elle dépasse vers la gauche tel qu'observé de la position d'utilisation.

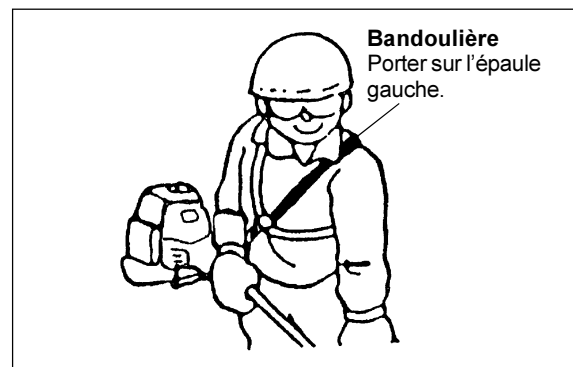
- S'assurer de ne pas régler la poignée trop près du manche de commande (utiliser le collier d'espacement fourni pour cet effet).



UTILISATION DE LA BANDOULIÈRE

Comment porter la bandoulière

- Porter la bandoulière sur l'épaule gauche.
- Tenir la taille haie à rallonge du côté droit du corps.
- Fixer la bandoulière à l'attache sur la taille haie, puis régler la longueur de la bandoulière afin d'avoir une position de travail confortable.

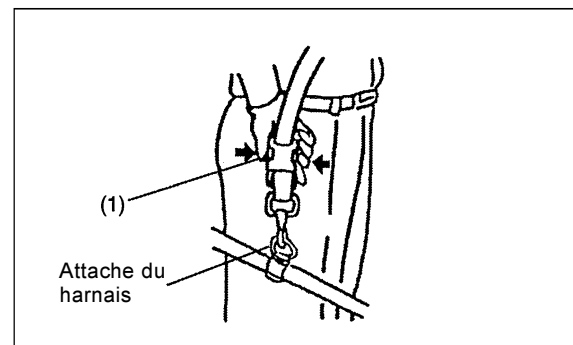


Retrait

- En cas d'urgence, poussez les entailles (1) sur les deux côtés, et vous pouvez détacher la machine de vous.

Etre extrêmement prudent pour garder le contrôle de la machine lors de cette opération. Ne pas laisser la machine dévier dans votre direction ou vers toute autre personne se trouvant à proximité de la zone de travail.

AVERTISSEMENT: La non-observation de cette précaution peut se traduire par de blessures corporelles graves ou la MORT.



ALIMENTATION EN CARBURANT



Mélange carburant /huile

- Le moteur de la taille haie à rallonge est un moteur à deux temps très puissant qui fonctionne avec un mélange de carburant et d'huile moteur à deux temps. Le moteur est conçu pour marcher avec du carburant ordinaire sans plomb avec une valeur minimale d'octane de 91ROZ. Si ce genre de carburant n'est pas disponible, utiliser le carburant avec la valeur d'octane la plus élevée disponible. Ceci n'endommagera pas le moteur, mais ses performances seront réduites. Il en est de même pour le carburant avec plomb. Pour obtenir les performances optimales et pour la protection de la santé publique et de l'environnement, utiliser tant que possible du carburant sans plomb.
- De l'huile moteur à deux temps (niveau de qualité : TSC-3) doit être ajoutée au carburant pour lubrifier le moteur. Le moteur est conçu pour utiliser l'huile à deux temps DOLMAR écologique, à mélanger à un pourcentage de 50 :1. Cette huile spécialement développée assure une longue durée de vie et les meilleures performances pour le moteur avec le minimum d'échappement de gaz. Il est impératif de respecter le mélange 50 :1 (Carburant / huile à deux temps DOLMAR) afin d'obtenir une bonne performance de la taille haie.
- Mélange carburant/huile correct:
Mélanger 50 parts de carburant à une part d'huile moteur à deux temps DOLMAR (voir aussi le tableau à droite).

Remarque: Lors de la préparation du mélange carburant/huile, mélanger d'abord toute la quantité nécessaire d'huile avec la moitié de carburant. Ajouter l'autre moitié de carburant et mélanger avant de remplir le réservoir.
Ne pas ajouter plus d'huile que décrit. S'il y a trop d'huile, plus de résidu de combustion est produit, ce qui pollue l'environnement et bouche les conduits du silencieux et du cylindre. De plus, la consommation de carburant augmente et les performances de la machine diminuent.

Manipulation des produits pétroliers

Manipuler le carburant le plus de précaution possible. Le carburant contient des substances similaires aux solvants, par conséquent le ravitaillement doit se faire à l'extérieur ou dans un endroit bien ventilé. Ne pas inhaler les vapeurs de carburant et éviter tout contact du carburant ou de l'huile avec la peau. La peau devient sèche si elle est en contact prolongé avec des produits pétroliers. Ceci peut provoquer des maladies de peau et des réactions allergiques.
Le carburant ou l'huile risquent de provoquer des irritations graves en contact avec les yeux. Si le cas se produit, rincer immédiatement les yeux avec une grande quantité d'eau fraîche. Ne pas hésiter à contacter un médecin si l'irritation persiste.

Ravitaillement

Le moteur doit être coupé!

- Nettoyer soigneusement la zone entourant le bouchon de remplissage de carburant (2) afin d'empêcher que la saleté ne s'introduise dans le réservoir de carburant (1).
- Dévisser le bouchon de remplissage de carburant (2) et remplir le réservoir de carburant.
- Revisser fermement le bouchon de remplissage de carburant (2).
- Nettoyer le bouchon de remplissage de carburant fileté (2) et le réservoir après le ravitaillement!

Stockage du carburant

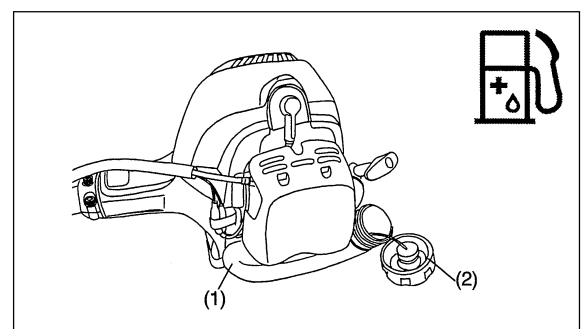
- Le carburant se détériore s'il est stocké pendant longtemps.
- Acheter la quantité de carburant nécessaire pour une période de 4 semaines.
- Utiliser les récipients de carburant appropriés.



Observer les instructions de sécurité à la page 24



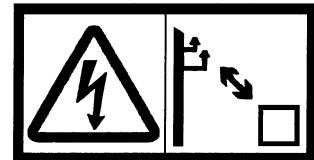
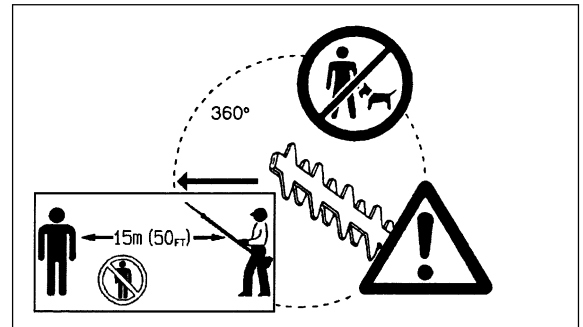
Carburant		Huile
	+	
1000mL (1L) 5000mL (5L) 10000mL (10L)		20mL 100mL 200mL



PRÉCAUTIONS AVANT LE DÉMARRAGE DU MOTEUR



- Laisser toujours une zone de sécurité de 15 mètres autour de la zone de travail. S'assurer que toutes les personnes (en particulier les enfants) et/ou les animaux se trouvent en dehors de cette zone.
- Avant d'utiliser la taille haie à rallonge, s'assurer qu'elle est en bonne condition de travail. Vérifier que les lames de coupe ne sont pas endommagées et que le levier d'étrangleur peut être actionné facilement. Vérifier que les lames de coupe ne sont pas en mouvement lorsque le moteur est en marche à vide. Si la machine ne fonctionne pas correctement, contacter le revendeur pour la régler. Vérifier que les poignées sont propres et sèches et que l'interrupteur I-O fonctionne correctement. Démarrer le moteur selon les instructions données dans le manuel. Ne pas utiliser d'autre méthode pour démarrer la taille haie (voir « Démarrage du moteur »).
- Ne démarrer le moteur de la taille haie à rallonge qu'après avoir lu et compris les instructions. Ne jamais tenter de démarrer une taille-haies qui n'est pas entièrement montée. Il y a un grand risque de blessures.
- Avant de démarrer le moteur, s'assurer que les lames de coupe ne sont pas bouchées par des cailloux, branches ou tout autre objet solide.
- Vérifier la zone de travail pour tout fil, cordon, morceau de verre ou objet étranger qui risquent de s'attraper dans les lames de coupe.
- Electrocutation : Faire attention aux lignes électriques aux alentours. Vérifier toute la zone de travail pour la présence de lignes électriques ou de clôture électrique avant de commencer le travail.



DÉMARRAGE DU MOTEUR



Si la machine vient d'être alimentée en carburant, se déplacer d'environ 3 mètres de l'endroit de ravitaillement. Placer la taille haie à rallonge sur le sol dans un endroit raisonnablement propre et s'assurer que les lames de coupe ne touchent pas le sol ou tout autre objet solide.

Démarrage à froid (moteur froid / arrêt du moteur pendant plus de 5 minutes / Après ravitaillement)

1. Déplacer l'interrupteur I-O sur la position "I" (1).
2. Pousser répétitivement (7 à 10 fois) la pompe d'amorçage (2) jusqu'à ce que le carburant entre dans la pompe.
3. Déplacer le levier de starter (3) dans la position "I" (verticale).
4. Tenir fermement le moteur avec une seule main au sol (4).
5. Tirer la corde du starter d'environ 10~15 cm jusqu'à sentir une résistance.
6. Tirer fermement (répétitivement si nécessaire) sur la corde jusqu'à ce que le moteur démarre.
7. Remettre le levier de starter sur la position "II" après le démarrage du moteur. Noter que le levier de starter revient automatiquement lorsque le levier d'étrangleur est actionné. Presser le levier d'étrangleur avec le levier de déverrouillage.
8. Chauffer le moteur à une vitesse modérée pendant environ 1 à 2 minutes.
9. Une fois le moteur chaud, il tourne normalement et la transition de la vitesse faible à la vitesse élevée est douce sans interruption.

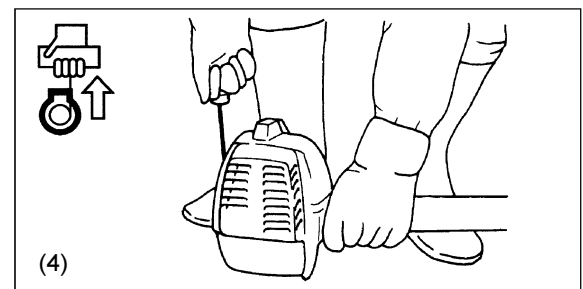
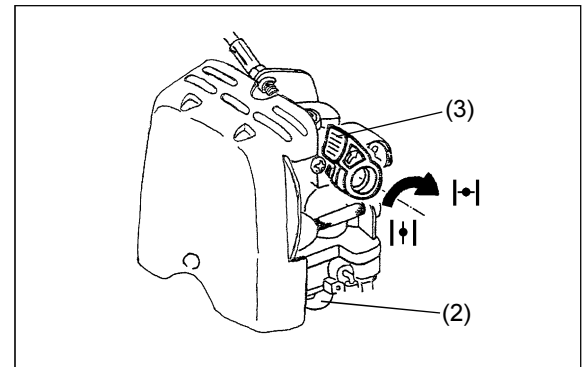
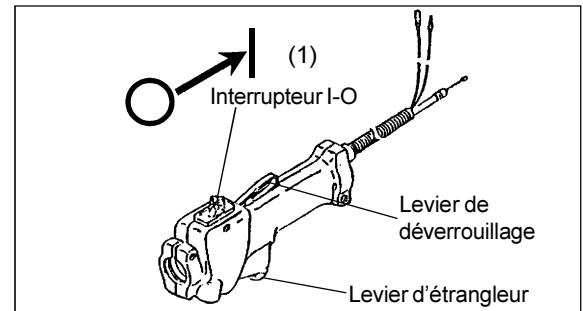
Remarque : Si la corde du starter est tirée répétitivement avec le starter sur la position "I", il y a une prise excessive de carburant ce qui rendra le démarrage du moteur difficile.

S'il y a trop de carburant, retirer la bougie d'allumage et tirer doucement la corde du starter pour dégager l'excès de carburant. Sécher l'électrode de la bougie d'allumage et remettre la bougie.

Démarrage à chaud (démarrage immédiat après arrêt du moteur)

Ne pas utiliser le starter (3) pour redémarrer immédiatement le moteur. Si le moteur ne s'arrête pas, exécuter les étapes 1 à 8 décrites ci-dessus (Démarrage à froid).

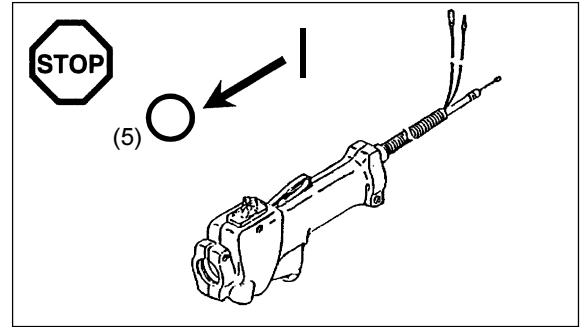
Remarque : Ne pas lâcher immédiatement le bouton du starter après avoir tiré sur la corde du starter mais le guider vers sa position d'origine.



ARRÊT DU MOTEUR



1. Relâcher le levier d'étrangleur.
2. Pousser l'interrupteur I-O sur la position "O" pour arrêter le moteur.



VÉRIFICATION ET RÉGLAGE DE LA VITESSE DE MARCHÉ À VIDE

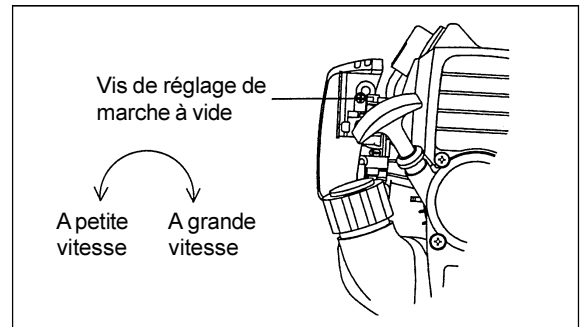
Les lames de coupe de la taille haie ne doivent pas tourner lorsque le levier d'étrangleur est relâché.

- La vitesse de marche à vide correcte est de 3000 min^{-1} . Régler, si nécessaire, la vitesse de marche à vide à l'aide de la vis de réglage (réduire la révolution jusqu'à ce que les lames s'arrêtent de tourner).

- Tourner la vis dans le sens des aiguilles d'une montre :
La vitesse de marche à vide augmente.
- Tourner la vis dans le sens contraire des aiguilles d'une montre :
La vitesse de marche à vide diminue.

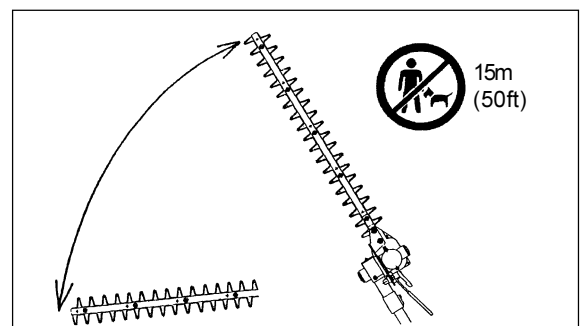
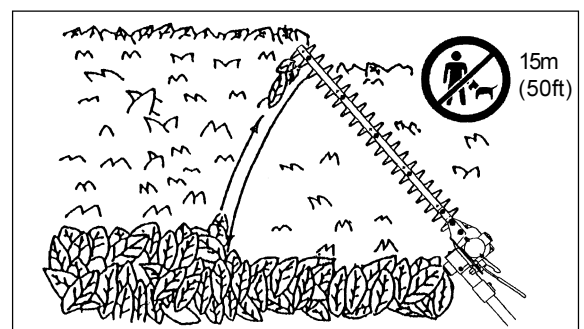
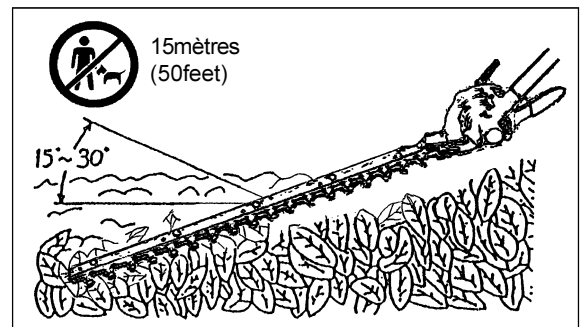
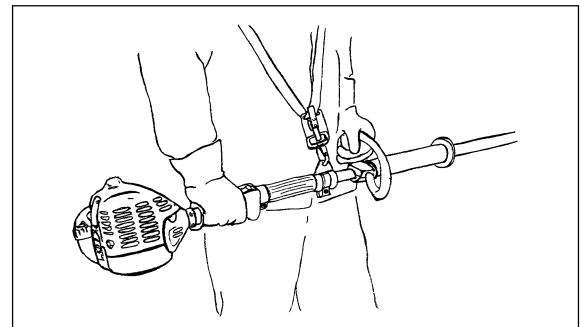
Laisser une certaine différence entre la vitesse de marche à vide et celle d'embrayage (réduire plus la vitesse de marche à vide si nécessaire). Si les lames de coupe continuent de tourner même après un réglage adéquat de la vitesse de marche à vide, consulter le réparateur autorisé le plus proche.

- L'embrayage s'enclenche à une vitesse minimale de 4000 min^{-1} .
- Vérifier que l'interrupteur d'arrêt STOP, le levier de déverrouillage et le levier d'étrangleur fonctionnent correctement.



FONCTIONNEMENT DE LA TAILLE-HAIES À RALLONGE

- En travaillant avec la taille haie, tenir fermement la poignée avec les deux mains.
- Ne pas toucher la lame de coupe de la taille haie pendant l'utilisation ou lorsque le moteur est en marche.
- Faire attention à ne pas inhaler les gaz d'échappement en travaillant avec la taille haie. Ne jamais utiliser la taille haie dans un endroit clos ou sans ventilation suffisante (risque d'asphyxie et d'intoxication). Noter que le gaz carbonique est un gaz inodore ne pouvant être détecté ni par l'odorat.
- Porter toujours des vêtements de travail adéquats avant de commencer le travail avec la taille haie.
- Arrêter immédiatement le moteur si le silencieux ne fonctionne pas correctement.
- N'utiliser la taille haie que dans de bonnes conditions de lumière et de visibilité.
- Ne pas utiliser la taille haie dans l'obscurité ou le brouillard. Faire attention aux endroits mouillés et glissants (neige et verglas) pendant la saison froide (danger de glissade) et assurer toujours un bon équilibre sur les jambes.
- Ne jamais utiliser la taille haie en se tenant sur une surface instable ou une pente.
- Ne jamais utiliser la taille haie en se tenant sur une échelle.
- Ne jamais grimper sur un arbre pour utiliser la taille haie.
- Vérifier toujours la zone de travail et retirer tout fil, corde, verre ou objet étranger qui risque d'être pris les lames.
- Vérifier que les lames de coupe tournent vite avant de commencer à couper.
- Tenir toujours la taille haie des deux mains et maintenir une bonne prise en travaillant avec la machine.
- Pour assurer un contrôle optimal de la taille haie, mettre les mains bien autour des poignées (utiliser le pouce pour la contre pression) et les serrer.
- Noter que les lames de coupe restent en mouvement jusqu'à 2 secondes après avoir relâché le levier d'étrangleur.
- Ne pas couper avec la taille haie à faible vitesse.
- La vitesse des lames de coupe ne peut pas être correctement réglée avec le levier d'étrangleur lorsque le moteur tourne à bas régime.
- Pour couper le haut d'une haie, aligner tout d'abord l'outil de coupe à un angle de 15° ~ 30° dans la direction de coupe et garder la taille haie en position horizontale. Commencer à couper la haie en un mouvement basculant comme en dessinant des cercles avec l'axe de la taille haie.
- Pour couper les bords de la haie, aligner les lames parallèlement avec la surface à couper et commencer à couper avec des mouvements semi-circulaires (de bas en haut).
- Faire attention en coupant une haie qui a poussé le long d'une clôture. Faire attention à ne pas mettre en contact les lames de coupe et clôture métallique. Le fait de couper dans du métal, pierre, ciment ou bois épais risque de casser les lames et/ou d'endommager toute la machine.
- Ne pas utiliser la taille haie pendant une longue durée. En général, pour chaque 50 minutes de travail, arrêter la machine pendant environ 10 à 20 minutes.
- Si les lames de coupe viennent à toucher des pierres ou un objet solide, arrêter immédiatement le moteur et vérifier les lames. Remplacer les lames cassées.
- S'il y a un problème en cours d'utilisation de la taille haie (bruit étrange, vibrations, etc.), arrêter immédiatement le moteur. Ne pas utiliser de nouveau la machine jusqu'à trouver la cause du problème et la réparer.
- Faire son possible pour garder au minimum la pollution et les émissions de gaz en utilisant la taille haie. Faire attention particulièrement au réglage du carburateur et au mélange carburant/huile.
- Si des branches épaisses sont coincées entre les lames, arrêter immédiatement le moteur, allonger la taille haie sur le sol et retirer l'obstacle. Vérifier que les lames n'ont pas été endommagées avant de reprendre le travail.



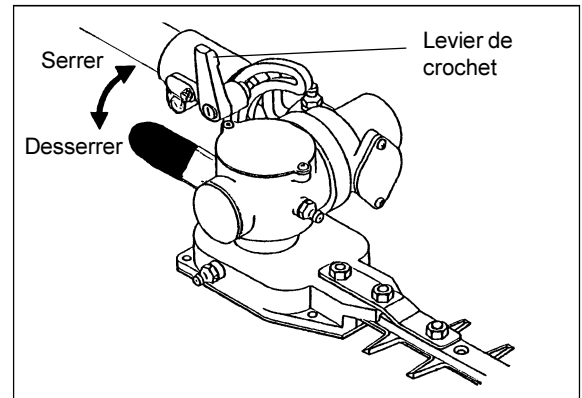
Réglage de l'angle de coupe



1. Arrêter le moteur de la taille haie et allonger la machine sur le sol.
2. Pour régler l'angle de l'élément de coupe, desserrer le levier de crochet situé au-dessus de l'élément de coupe en le tournant dans le sens contraire des aiguilles d'une montre.
3. Régler l'angle de l'élément de coupe et tourner le levier de crochet dans le sens des aiguilles d'une montre pour les serrer.
 - L'élément de coupe peut être réglé entre 45° et 90°.

Remarque :

- Ne pas régler l'élément de coupe alors que la taille haie est en position verticale.
- Déplacer l'interrupteur I-O sur la position "O" et allonger la taille haie sur le sol pour régler l'angle de l'élément de coupe.
- Couvrir toujours les lames avec le cache fourni avant de régler l'angle de coupe.



ENTRETIEN



- Avant d'effectuer tout travail d'entretien de l'élément de coupe de la taille haie (nettoyage de lame, etc.), arrêter toujours le moteur et attendre qu'il refroidisse. Par précaution, retirer également la bougie d'allumage.
- Ne pas essayer de consolider ou de redresser une lame de coupe cassée. Remplacer toujours les lames endommagées.
- Arrêter le moteur à des intervalles réguliers pour vérifier si les lames de coupe ne sont pas endommagées (effectuer un léger test de résonance pour détecter d'éventuelles fissures invisibles). Vérifier toujours que les dents des lames sont aiguisées.
- Nettoyer la taille haie à intervalles réguliers. Vérifier également pendant le nettoyage que toutes les vis, écrous et boulons sont bien vissés.
- Pour réduire le risque de feu, ne jamais réparer ou ranger la taille haie à proximité de flammes nues.
- Porter toujours des gants épais de protection en manipulant les lames.
- Contacter le revendeur pour remplacer les lames.

Aiguiser les lames

Si les lames de coupes ne sont plus tranchantes et que la performance de coupe n'est pas bonne, faire aiguiser les lames par un réparateur autorisé.

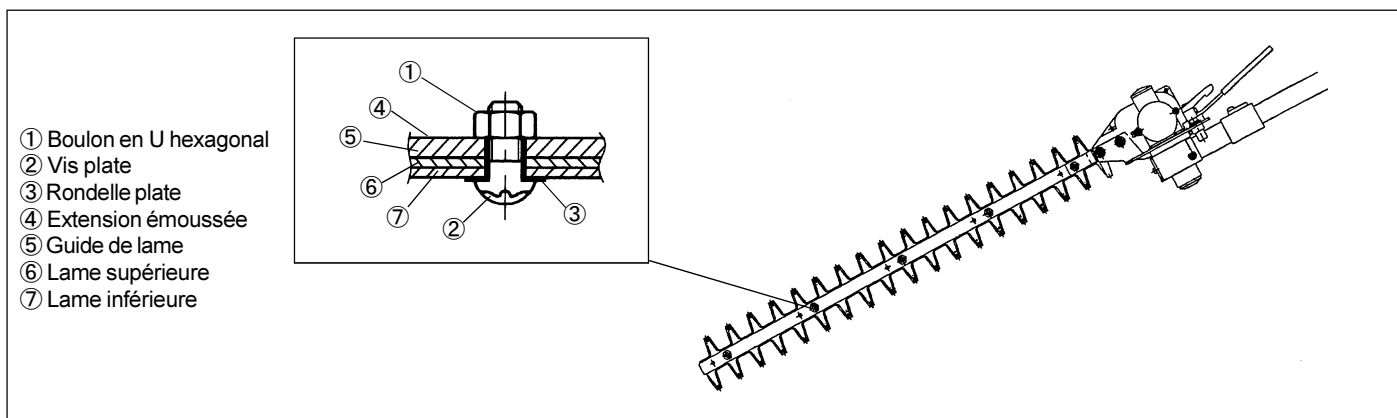
Réglage des lames



L'utilisation prolongée de la taille haie abîme graduellement les lames. Ajuster de nouveau les lames si les performances de coupe se détériorent remarquablement. Pour régler les lames, suivre les instructions ci-dessous.

1. Desserrer l'écrou ①.
2. Serrer légèrement la vis ② jusqu'à sentir une légère résistance. Tourner la vis dans la direction opposée d'un quart ou d'un demi-tour.
3. Maintenir la vis ② en place avec un tournevis et serrer l'écrou ①.
4. Après le réglage, graisser les lames avec un film fin ou une huile légère.
5. Démarrer le moteur et tirer plusieurs fois sur le levier d'étrangleur pour faire tourner les lames. Continuer pendant environ une minute.
6. Arrêter le moteur et attendre que les lames s'arrêtent complètement. Toucher doucement les lames à la main. Le réglage est correct si les lames ne sont trop chaudes au toucher. Si les lames sont trop chaudes au toucher, desserrer la vis ② d'un autre quart ou demi-tour et répéter les étapes 5 et 6 pour confirmer le réglage.

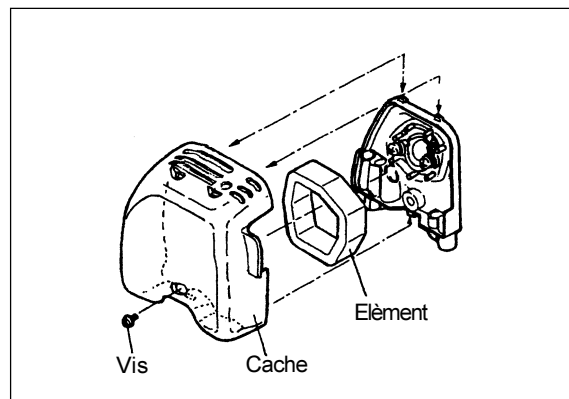
Remarque: Arrêter toujours le moteur et retirer la bougie d'allumage avant de régler les lames ! Les lames possèdent des encoches autour des vis plates ②. Garder toujours ces encoches propres pour pouvoir les inspecter pour tout dommage éventuel.



Nettoyage de l'épurateur d'air – chaque 8 heures (quotidiennement)

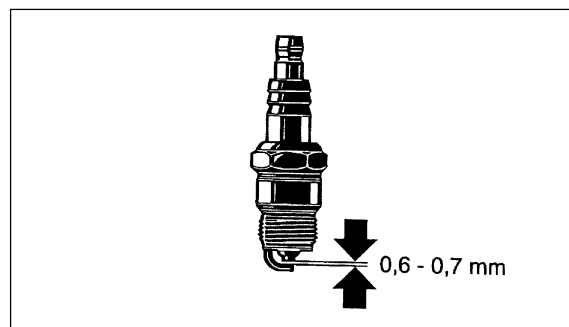
- Retirer le cache de l'épurateur d'air.
- Retirer l'éponge. La laver à l'eau et la laisser sécher complètement.
- Remettre l'éponge propre et sèche, puis le cache de l'épurateur d'air.

Remarque : Nettoyer quotidiennement l'épurateur d'air. Un épurateur d'air bouché rend le démarrage et/ou l'accélération du moteur difficile ou impossible.



Vérification de la bougie d'allumage – Chaque 8 heures (quotidiennement)

- Utiliser seulement la clé universelle fournie pour retirer et remettre la bougie d'allumage.
- L'espacement de la bougie d'allumage doit être de 0.6~0.7 mm. Ajuster l'espacement de la bougie d'allumage s'il est trop large ou trop serré. Nettoyer ou remplacer la bougie d'allumage si elle est sale et/ou bouchée par le résidu de carbone. Remplacer toujours le même type de bougie d'allumage.

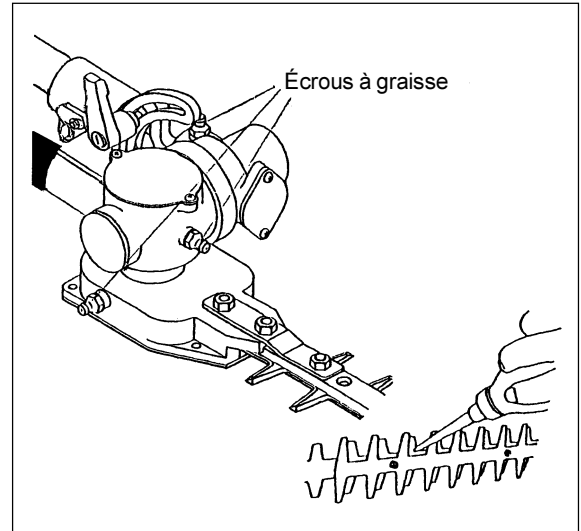




Ajout de graisse et de lubrifiant

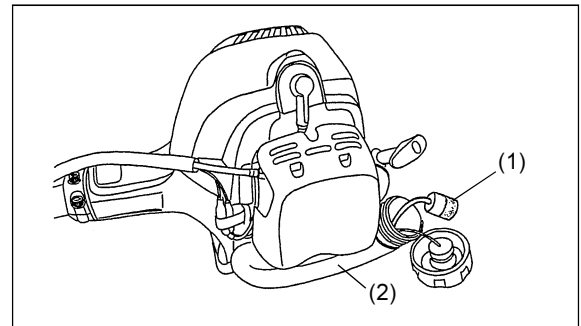
- La boîte de vitesses de la taille haie à rallonge doit être graissée toutes les 20 heures de travail. Ajouter environ 10 CC de lubrifiant (Shell Alvania No. 3 ou équivalent) à la boîte de vitesse via les écrous à graisse. Un peu de graisse peut sortir de la tête de la boîte à vitesses (située à la base de la lame) lorsque la taille haie est mise en marche la première fois après le graissage. Utiliser cela comme indicateur approximatif de la quantité de graisse à fournir.

Remarque: Respecter les intervalles de graissage et la quantité de graisse à fournir. Les parties mécaniques de la taille haie risquent d'être endommagées si elles ne sont pas graissées à des intervalles réguliers et si la quantité de graisse est insuffisante.



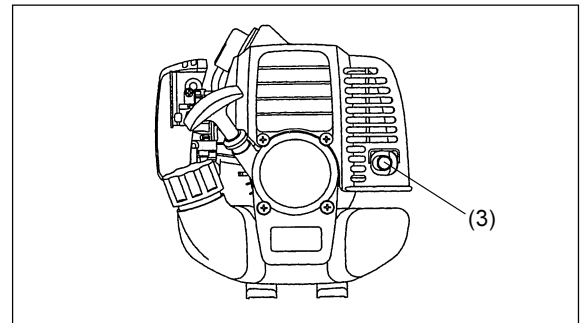
Filtre du réservoir à carburant

- L'intérieur du réservoir à carburant est équipé d'un filtre (1) qui nettoie le carburant avant de passer dans le carburateur.
 - Vérifier visuellement le filtre à des intervalles réguliers. Pour cela, utiliser une pièce métallique en forme de crochet et sortir le filtre du réservoir (2). Remplacer le filtre s'il est dur, bouché ou très sale.
 - Une mauvaise alimentation en carburant à cause d'un filtre sale peut causer une mauvaise performance du moteur. Pour s'assurer que la quantité requise de carburant entre dans le carburateur, remplacer le filtre de carburant chaque fois que l'on a des doutes sur sa condition.



Nettoyage de l'orifice du silencieux

- Vérifier la condition de l'orifice du silencieux (3) à intervalles réguliers.
 - Utiliser un outil approprié pour retirer les résidus excessifs de carbone qui s'accumulent autour de l'orifice du silencieux. Faire attention à ne pas faire entrer les résidus de carbone dans les pièces du moteur.



Nettoyage de l'arrêt de bougie

- L'arrêt de bougie doit être nettoyé toutes les 50 heures de travail.
 - Faire nettoyer l'arrêt de bougie par le revendeur ou par un réparateur autorisé.

Pour tout travail d'entretien non mentionné dans ce manuel, contacter le revendeur ou un réparateur autorisé.

Inspection et entretien quotidiens

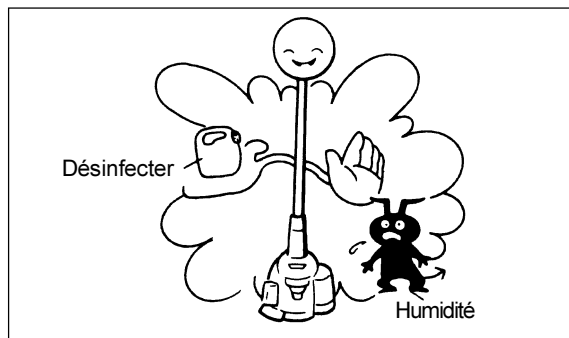
Pour assurer une longue durée de vie de la taille haie, effectuer quotidiennement les inspections et entretiens suivants.

- Vérifier toujours s'il y a des pièces manquantes ou mal fixées avant de commencer le travail. Faire très attention à la lame de coupe et vérifier si les vis du verrouillage de la lame de coupe sont bien serrés.
- Vérifier si les passages d'air et les fentes de refroidissement du cylindre ne sont pas bouchés avant de commencer le travail. Les nettoyer si nécessaire.
- Chaque fois après l'utilisation de la taille haie à rallonge :
 - Nettoyer la surface extérieure de la taille haie et chercher toute pièce éventuelle endommagée ou mal serrée.
 - Nettoyer le filtre à air. Nettoyer le filtre plusieurs fois par jour si le lieu du travail est très poussiéreux.
 - Vérifier si les lames de coupe ne sont pas endommagées. S'assurer que les lames sont fermement montées.

REMISAGE

Si la taille haie doit être rangée pendant une longue période, procéder comme suit :

- Vider le carburant du réservoir et du carburateur.
- Retirer la bougie d'allumage et ajouter quelques gouttes d'huile à deux temps dans la fente de la bougie d'allumage. Tirer doucement sur la corde du starter pour s'assurer que l'huile est bien distribuée dans le moteur. Remettre la bougie d'allumage et la serrer.
- Nettoyer toute la taille haie et appliquer une fine couche d'huile sur les parties métalliques. Couvrir les lames avec le cache fourni. Ranger la taille haie dans un endroit sec sans humidité.



PROGRAMME D'ENTRETIEN

Général	Moteur, Vis, écrous, boulons	Vérifier visuellement la condition générale et la sécurité Vérifier visuellement s'il y a une panne S'assurer que les vis, écrous et boulons sont serrés.
Après le ravitaillement	Levier d'étranglement Levier de déverrouillage Interrupteur d'arrêt STOP	Vérifier le fonctionnement Vérifier le fonctionnement Vérifier le fonctionnement
Quotidiennement	Filtre à air Conduit d'aération Outil de coupe Marche à vide	Nettoyer Nettoyer Vérifier tout dommage, confirmer Confirmer que les lames de coupe ne tournent pas.
Chaque 20 heures	Boîte à vitesses	Ajouter de la graisse
Hebdomadaire	Bougie d'allumage Silencieux	Vérifier, remplacer si nécessaire Vérifier, nettoyer si nécessaire
Chaque trimestre	Filtre de carburant Réservoir à carburant	Nettoyer ou remplacer si nécessaire Nettoyer dedans
Avant emmagasinage long	Réservoir à carburant Carburateur	Vider le réservoir Garder le moteur en marche jusqu'à la fin de carburant

DÉPANNAGE

Problème	Système	Observation	Cause
Le moteur ne démarre pas ou démarre difficilement	Allumage	Bougie d'allumage présente	Problème avec l'alimentation en carburant ou le système de compression, panne mécanique.
		Pas de bougie d'allumage	Interrupteur STOP en position OFF, fil cassé, bougie d'allumage défectueuse ou connecteur défectueux, module d'allumage défectueux.
	Alimentation en carburant	Carburant disponible	Mauvais réglage de l'étrangleur, carburateur défectueux, filtre à carburant contaminé, tuyau de carburant cassé ou plié.
		Compression	Dans le moteur
Problème de démarrage	Mécanique	Hors du moteur	Bougie d'allumage desserré.
		Starter ne fonctionne pas	Ressort du starter défectueux, panne mécanique dans le moteur
	Carburant disponible Allumage en marche	Carburateur contaminé (faire nettoyer le carburateur)	
Le moteur démarre mais cale immédiatement	Alimentation en carburant	Carburant disponible	Réglage de marche à vide incorrect, carburateur ou filtre à carburant contaminé. Ventilation du réservoir à carburant défectueux, Tuyau de carburant cassé, interrupteur STOP défectueux (contact desserré, etc.)
Mauvaise performance	Plusieurs systèmes peuvent être affectés simultanément	Marche à vide du moteur	Filtre à air contaminé, carburateur contaminé, Silencieux bouché ou pot d'échappement cylindre bouché.

Muchas gracias por su elección del Cortasetos Articulado de Altura de DOLMAR. Nos complace ofrecerles un producto que es el resultado de un gran programa de desarrollo, al que dedicamos muchos años de conocimientos y experiencia. Para obtener los mejores resultados posibles de su Cortasetos Articulado de Altura de DOLMAR, lea completamente este manual antes de utilizar la máquina y siga todas las instrucciones contenidas para asegurarse que hace funcionar correctamente el Cortasetos Articulado de Altura de DOLMAR.



Índice	Página
Símbolos	37
Instrucciones para su seguridad	38-41
Especificaciones	42
Avería de piezas	43
Conexión de la unidad de cortasetos en el articulado de altura	44
Instalación del mango	44
Utilización de la correa al hombro	44
Combustible/carga de combustible	45
Precauciones antes de arrancar el motor	46
Arranque del motor	46
Parada del motor	47
Verificación y ajuste de la velocidad de marcha mínima	47
Funcionamiento del Cortasetos Articulado de Altura	48-49
Mantenimiento	49-51
Almacenamiento	52
Programa de mantenimiento	52
Localización de averías	52

SÍMBOLOS

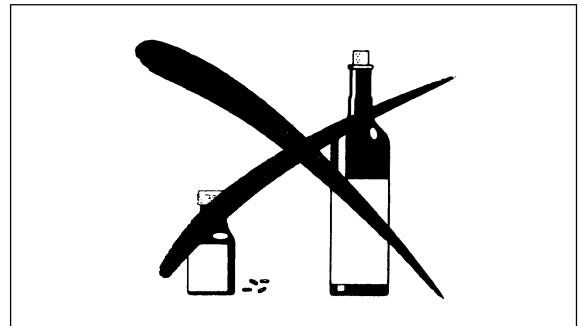
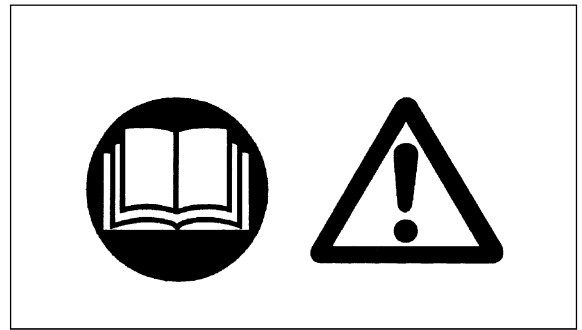
Preste atención a los siguientes símbolos cuando lea este manual de instrucciones

	ADVERTENCIA/PELIGRO		Cuidado con atraparse
	Antes del uso, lea cuidadosa y entienda todas las instrucciones de este manual		Cuidado con las líneas eléctricas, puede recibir una descarga eléctrica
	PROHIBICIÓN		Mezcla de gasolina/aceite
	No fumar		Arranque manual del motor
	No exponga a llamas o fuego		Parada de emergencia
	Utilice zapatos protectores		Primeros auxilios
	Utilice guantes protectores		Reciclable
	Mantenga alejadas a las personas y animales domésticos del lugar de trabajo		ON/START
	Utilice un casco protector y protección para ojos y oídos		OFF/STOP

INSTRUCCIONES PARA SU SEGURIDAD

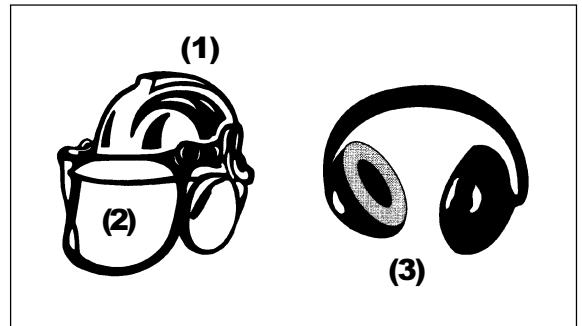
Instrucciones generales

- Antes de utilizar, lea cuidadosamente este manual y familiarícese con el manejo correcto del Cortasetos Articulado de Altura. ¡ESTE EQUIPO PUEDE PROVOCAR HERIDAS DE GRAVEDAD SI LO UTILIZA MAL!
- Explique detalladamente el uso correcto del Cortasetos Articulado de Altura cuando preste el equipo a otra persona. Entregue siempre el manual de instrucciones junto con el Cortasetos Articulado de Altura.
- Las personas que lo utilizan por primera vez deben solicitar que la tienda le dé instrucciones básicas sobre el manejo correcto del Cortasetos Articulado de Altura.
- Guarde este manual en un lugar de fácil acceso para consultarlo rápidamente.
- No permita que las personas de menos de 18 años utilicen el Cortasetos Articulado de Altura. Sin embargo, los mayores de 16 años pueden utilizar el Cortasetos Articulado de Altura para entrenamiento si están bajo supervisión constante de un adulto familiarizado con el uso del Cortasetos Articulado de Altura.
- Utilice siempre el Cortasetos Articulado de Altura con máximo cuidado y atención.
- Puede herirse gravemente si utiliza el Cortasetos Articulado de Altura en los siguientes casos. No utilice el Cortasetos Articulado de Altura:
 - Cuando está cansado o enfermo.
 - Después de tomar bebidas alcohólicas y/o medicamentos.
 - De noche o cuando hay poca luz.
 - Si está embarazada.



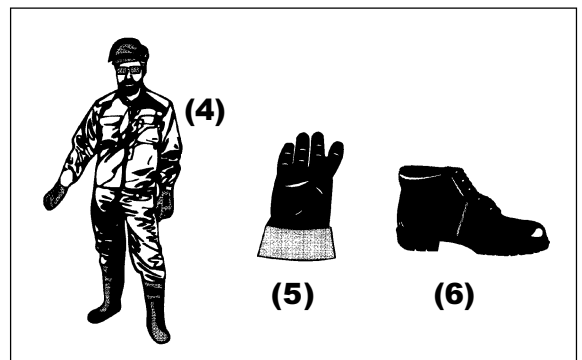
Usos propuestos

- Este Cortasetos Articulado de Altura fue diseñado exclusivamente para cortar setos y arbustos con un diámetro de rama máximo de 6 mm. No utilice el Cortasetos para ningún otro propósito.



Equipo de protección personal

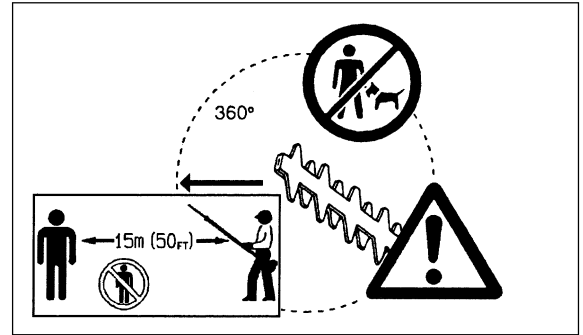
- Utilice ropa funcional y ajustada al cuerpo, sin que impida sus movimientos. No utilice ropa o joyas que puedan enredarse en los setos o en la máquina.
- Para una buena protección contra heridas en la cabeza, ojos, pies, manos y problemas de audición, debe utilizar el siguiente equipo de protección y ropa para trabajar con el Cortasetos Articulado de Altura.
- Para no herir la cabeza o los ojos, utilice un casco protector (1) con gafas de visor (2).
- Para evitar problemas de audición, utilice tapones para oídos (3) en todo momento.
- Se recomienda el uso de un overol (4) o mono ajustado al cuerpo.
- Utilice siempre guantes de trabajo de cuero (5) cuando haga funcionar el Cortasetos Articulado de Altura.
- Cuando utilice el Cortasetos Articulado de Altura, póngase siempre zapatos resistentes con suela no deslizante. Los zapatos de trabajo especiales aseguran un buen apoyo en el suelo y protección contra heridas.



Arranque del Cortasetos Articulado de Altura

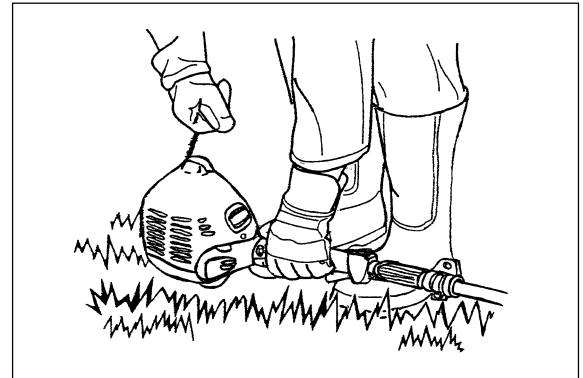
- En todo momento deje una zona de seguridad de 15 metros de diámetro alrededor del área de trabajo. Asegúrese de que todas las personas (especialmente los niños) y/o animales están fuera de esta zona. En general, evite el uso del Cortasetos cuando haya gente (especialmente niños) cerca.
- Antes de arrancar el Cortasetos Articulado de Altura, compruebe que la máquina está en condiciones de funcionamiento seguro.
- Confirme el funcionamiento del mecanismo de seguridad de la palanca de la mariposa de gases. La palanca de bloqueo debe moverse suave y fácilmente. Compruebe que la palanca de bloqueo funciona correctamente. Compruebe que los mangos están limpios y secos y pruebe el interruptor STOP para confirmar que funciona bien.

Arranque siempre el Cortasetos Articulado de Altura de acuerdo con las instrucciones de este manual.



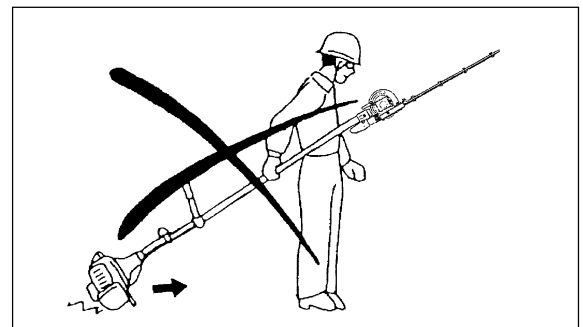
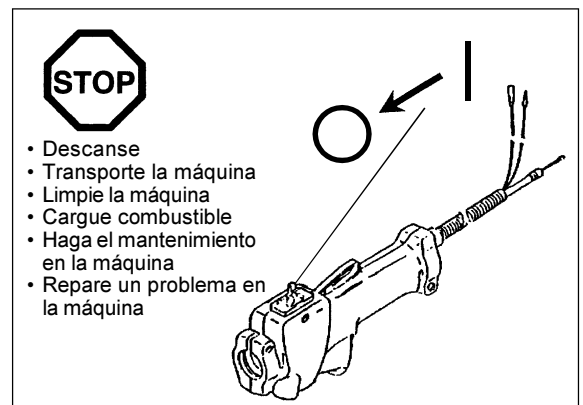
Respete las siguientes instrucciones para el arranque del Cortasetos Articulado de Altura

- Arranque el Cortasetos Articulado de Altura solo después de armar completamente la máquina y de instalar todos los accesorios.
- Antes de arrancar el motor, compruebe que las cuchillas cortadoras no están obstruidas por objetos extraños tales como piedras, ramas, etc.
- Pare inmediatamente el motor si tiene problemas en el motor.
- Cuando haga funcionar el Cortasetos Articulado de Altura, empuñe firmemente ambos mangos. Utilice sus dedos para empuñar sus mangos, envolviendo el mango entre el pulgar y el dedo índice. Para controlar el Cortasetos Articulado de Altura en todo momento, no cambie la forma de empuñar el mango durante el uso. Confirme que los mangos de control están en buen estado, libre de humedad, barro, aceite o grasa.



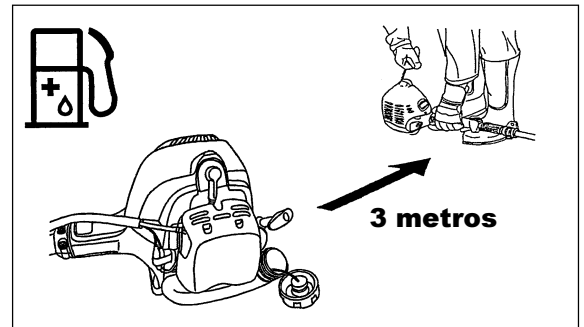
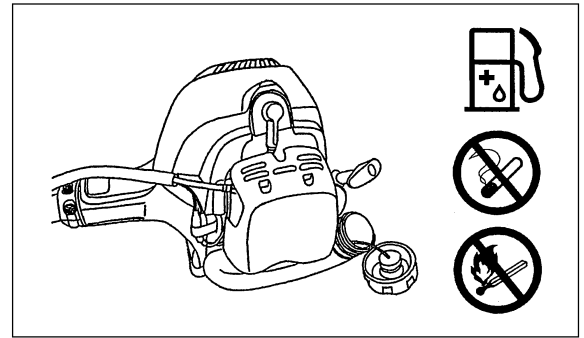
Asegure siempre que su apoyo sobre los pies está bien balanceado

- Utilice el Cortasetos Articulado de Altura sólo en exteriores.
- Pare siempre el motor inmediatamente y deje de utilizar si se producen problemas en el motor o si se escuchan ruidos extraños.
- El humo del escape es venenoso. No haga funcionar la máquina en una habitación cerrada o túnel sin circulación de aire (puede asfixiarse o envenenarse con el gas). Recuerde que el monóxido de carbono es un gas sin olor. Compruebe que el área donde haga funcionar el motor tenga Buena circulación de aire.
- Para el motor mientras descansa o cuando deja el Cortasetos Articulado de Altura sin vigilancia. Guarde la máquina en un lugar seguro y confirme que no hay material combustible cerca.
- No deje nunca el Cortasetos caliente sobre pasto seco o material combustible.
- Para reducir el peligro de un incendio, mantenga el motor y silenciador libre de restos, hojas o excesiva lubricación.
- No haga funcionar el motor si hay problemas en el silenciador.
- Apague el motor antes de transportarlo.
- Pare siempre el motor en los siguientes casos. Cuando:
 - Descanse
 - Transporte la máquina
 - Limpie la máquina
 - Cargue combustible
 - Haga el mantenimiento en la máquina
 - Repare un problema en la máquina
- Cuando transporte la máquina en un vehículo, asegure firmemente el Cortasetos Articulado de Altura para evitar fugas de los restos de combustible que puedan quedar.
- Vacíe siempre el tanque de combustible antes de transportar el Cortasetos Articulado de Altura en un vehículo.
- Cuando baje la máquina de un vehículo, tenga especial cuidado de no dejar caer el Cortasetos Articulado de Altura al suelo porque puede dañar gravemente el tanque de combustible.
- Excepto en una emergencia, no deje caer el Cortasetos Articulado de Altura ya que puede dañar seriamente la máquina.
- Cuando transporte el Cortasetos Articulado de Altura, siempre levante la máquina completamente del suelo. No arrastre el motor por el suelo porque puede dañar el tanque de combustible provocar un incendio.
- Utilice siempre una cubierta de cuchilla cortadora incluida para proteger y asegurar la sección de corte del Cortasetos Articulado de Altura durante el transporte y almacenamiento.



Carga de combustible

- Antes de cargar el combustible, pare el motor.
- No cargue el combustible cerca de una llama
- No fume durante la carga de combustible.
- Espere el tiempo suficiente como para que el motor se enfríe antes de cargar el combustible.
- Tenga cuidado y no permita que la piel entre en contacto con productos basándose en petróleo. No respire los vapores de gasolina y utilice siempre guantes protectores cuando cargue el combustible. Cambie y limpie la ropa de protección a intervalos regulares.
- Tenga especial cuidado y evite derramar gasolina y aceite para no contaminar el suelo (protección del medio ambiente). Si ha derramado gasolina o aceite en el Cortasetos, limpie inmediatamente la superficie del Cortasetos con un trapo. Para evitar una combustión espontánea, espere hasta que los trapos se sequen lo suficiente antes de deshacerse de ellos en un recipiente tapado, apropiado.
- Compruebe que su ropa no se ensucia con el combustible. Cambie inmediatamente la ropa si se ha ensuciado con el combustible (peligro de incendio).
- Cierre el tanque de combustible y apriete firmemente la tapa de combustible. Para volver a arrancar el motor, transfiera el Cortasetos Articulado de Altura a un lugar alejado por lo menos 3 metros del lugar de carga de combustible.
- Inspeccione el tanque de combustible a intervalos regulares para confirmar que está bien apretada.
- No cargue combustible en la máquina en un lugar cerrado. Los vapores de combustibles se acumulan cerca del suelo (peligro de explosión).
- Guarde el combustible en un recipiente apropiado y asegúrese de que el combustible guardado está fuera del alcance de los niños.
- Para evitar que se dañen los tubos de combustible y piezas del motor, evite el uso de gasolina que contenga etanol o methanol (tipos de alcohol) cuando mezcle gasolina con el aceite de motor de dos carreras.



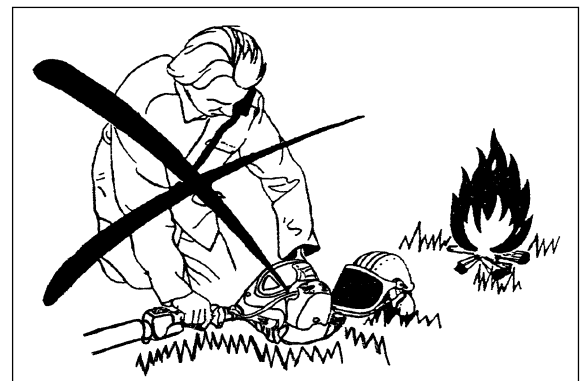
Funcionamiento

- Durante el funcionamiento, sujete el Cortasetos Articulado de Altura con ambas manos en todo momento.
- Sólo utilice el Cortasetos Articulado de Altura en lugares con buena luz y visibilidad. Tenga cuidado en lugares resbalosos y mojados (hielo y nieve) durante la estación fría (peligro de patinar), y párese firmemente con los pies bien apoyados.
- No utilice el Cortasetos Articulado de Altura mientras está parado sobre una superficie inestable o pendiente pronunciada.
- No utilice el Cortasetos Articulado de Altura mientras esté subido a una escalera.
- No suba a un árbol para utilizar el Cortasetos Articulado de Altura subido a un árbol.
- Para no tropezar o caerse sobre un objeto, no camine hacia atrás cuando trabaje con el Cortasetos Articulado de Altura.
- Pare siempre el motor antes de limpiar o hacer el servicio de la máquina. No cambie piezas antes de que el motor haya parado completamente.
- No haga funcionar el Cortasetos Articulado de Altura si la unidad de corte está dañada o desgastada.



Instrucciones de mantenimiento

- Haga todo lo que pueda para reducir las emisiones de polución y ruido al mínimo cuando haga funcionar el Cortasetos Articulado de Altura. Preste especial atención al ajuste correcto del carburador.
- Limpie el Cortasetos a intervalos regulares e inspeccione periódicamente que todas las tuercas y pernos están bien apretados.
- Nunca haga el servicio o guarde el Cortasetos Articulado de Altura cerca de llamas, chispas, etc.
- Vacíe el tanque de combustible antes de guardar, y guarde siempre el Cortasetos Articulado de Altura en una habitación cerrada bajo llave y con buena circulación de aire. Asegúrese de que el Cortasetos Articulado de Altura está fuera del alcance de los niños, en todo momento.
- Para evitar daños adicionales y/o heridas, no repare un Cortasetos Articulado de Altura averiado si no está calificado para ello. Para las reparaciones, llame siempre a su tienda o taller de servicio autorizado.



No trate de modificar o renovar el Cortasetos Articulado de Altura porque puede afectar su funcionamiento seguro.

Los trabajos de mantenimiento que pueda hacer el usuario por su cuenta están limitados a las actividades descritas en este manual de instrucciones. Todo otro procedimiento debe hacerse en un taller de servicio autorizado.

Utilice solo piezas de repuesto auténticas suministradas por DOLMAR a través de sus centros de servicio autorizados.

El uso de accesorios y herramientas no autorizados puede aumentar el riesgo de accidentes y heridas. DOLMAR no se hace responsable por accidentes o daños derivados del uso de accesorios y piezas no autorizados.

Primeros auxilios

Como precaución para el caso de un accidente, tenga siempre una caja de primeros auxilios completa, a mano.

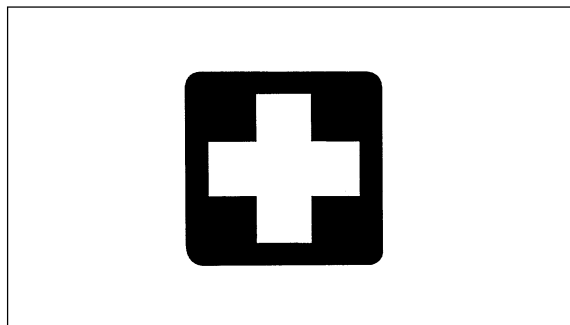
Cambie los elementos tomados de la caja de primeros auxilios lo antes posible.

Cuando solicite ayuda en caso de emergencia, dé la siguiente información:

- Lugar del accidente
- Qué sucedió
- Número de personas heridas
- Gravedad de las heridas
- Su nombre

Embalaje

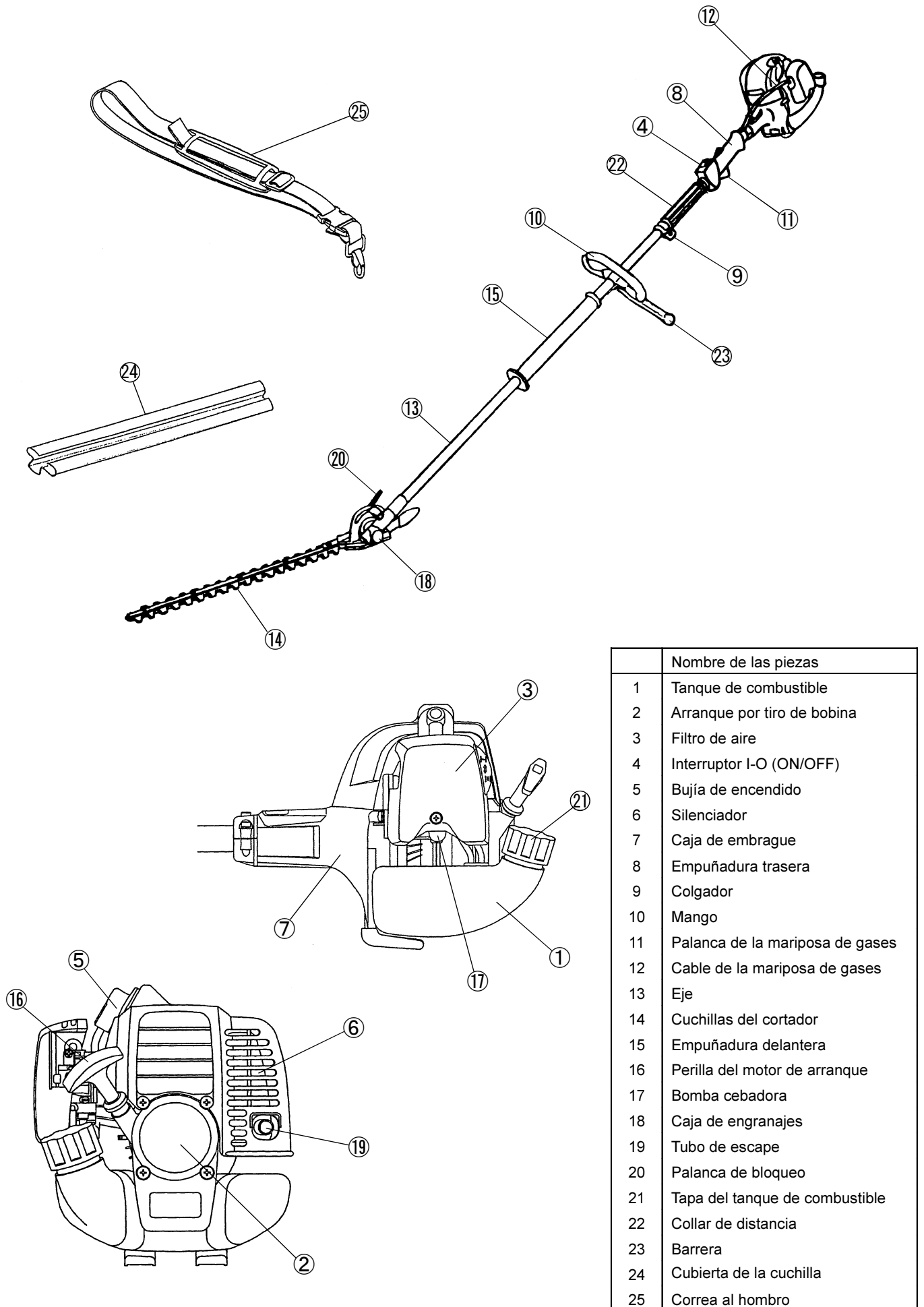
El Cortasetos Articulado de Altura se entrega en una caja de cartón protegida para evitar daños durante el envío. El cartón es un material básico que puede volver a utilizar y reciclar (reciclado de papeles viejos).



ESPECIFICACIONES : MH-2556

Modelo		MH-2556
		Mango en bucle y empuñadura de mango
Dimensiones (L x An. x Al.)	mm	2400 x 350 x 220
Peso	kg	6,1
Volumen (tanque de combustible)	L	0,65
Longitud de corte	mm	535
Cilindrada del motor	cm ³	24,5
Máximas prestaciones del motor		0,75 kW a 7000 min ⁻¹
Velocidad del motor Al máx. recomendado, velocidad de husillo	min ⁻¹	10,000
Consumo de combustible	kg/h	0,54
Consumo de combustible especificado	g/kWh	735
Velocidad de marcha mínima	min ⁻¹	3000
Velocidad de engrane del embrague	min ⁻¹	4100
Carburador (Carburador de diafragma)	tipo	WALBRO WYJ
Sistema de encendido	tipo	Encendido de estado sólido
Bujía de encendido	tipo	NGK BMR7A
Separación de electrodos	mm	0,6-0,7
Relación de mezcla (Combustible: aceite de 2 carreras de DOLMAR)		50:1
Relación de engranajes		1/4

NOMBRE DE LAS PIEZAS



CONEXIÓN DE LA UNIDAD DE CORTASETOS EN EL ARTICULADO DE ALTURA

Importante:

Asegúrese de que el motor está apagado y desmonte la tapa de bujía de encendido antes de armar el Cortasetos Articulado de Altura.

¡Utilice guantes protectores!

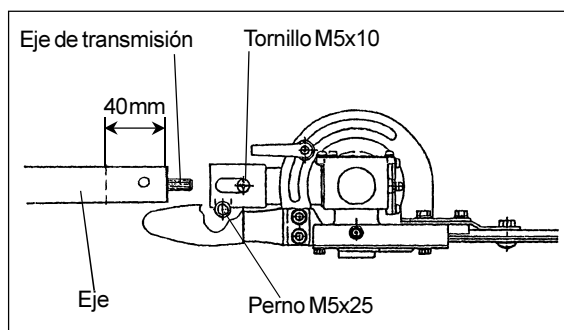
Asegure las cuchillas con la cubierta de cuchillas incluida cuando se hace la conexión de la unidad de cortasetos en el articulado de altura.

- Afloje el tornillo M5x10 y el perno M5x25.
- Inserte el eje en la caja de engranajes

NOTA: Compruebe que el eje está completamente insertado en la caja de engranajes (aprox. 40mm/1,57 pulg.).

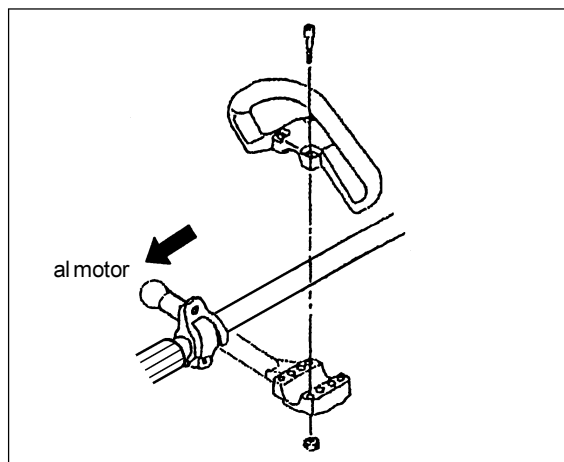
Si tiene problemas para insertar el eje, gire manualmente el eje de transmisión un poco y pruebe nuevamente.

- Confirme que el eje está bien insertado y apriete el tornillo M5x10 y el perno M5x25.



INSTALACIÓN DEL MANGO

- Instale la barrera protectora junto con el mango par que la barrera sobresale a la izquierda vista desde la posición de funcionamiento.
- Compruebe que no se ha instalado el mango demasiado cerca de la empuñadura de control (utilice el collar de distancia incluido para ello).



UTILIZACIÓN DE LA CORREA AL HOMBRO

Cómo ponerse la correa al hombro

- Póngase la correa al hombro sobre el hombro izquierdo.
- Sujete la unidad del Cortasetos Articulado de Altura del lado derecho del cuerpo.
- Instale la correa en el encaje instalado en el Cortasetos Articulado de Altura y ajuste la longitud de la correa de tal forma que pueda trabajar más cómodamente.

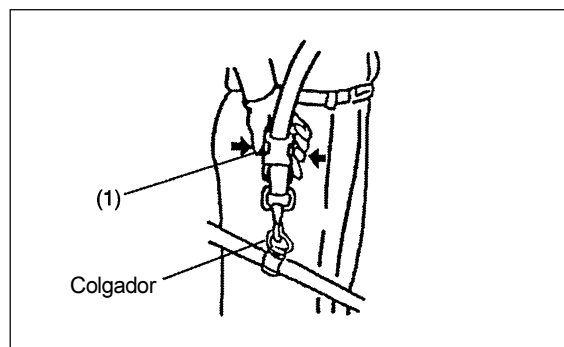


Separación

- En caso de emergencia, empuje las muescas (1) en ambos lados, y usted puede separar la máquina de usted.

Tomar precauciones extremas para mantener el control de la máquina. No permitir que la máquina se desvía hacia usted o alguien situado cerca.

ADVERTENCIA: Un fallo en mantener el completo control de la máquina puede causar heridas corporales muy graves o la muerte.



COMBUSTIBLE/CARGA DE COMBUSTIBLE

Mezcla de gasolina/aceite

- El motor del Cortasetos Articulado de Altura es un motor de dos carreras de gran eficiencia que funciona con una mezcla de gasolina y aceite de motor de dos carreras. El motor fue diseñado para funcionar con gasolina sin plomo normal con un valor de octanaje mínimo de 91 RON. Si no puede adquirir esta gasolina utilice como sustituto la gasolina con el valor de octanaje más alto que pueda adquirir. Esto no dañará el motor pero sus prestaciones pueden ser malas. Algo similar puede ocurrir si utiliza gasolina con plomo. Para obtener prestaciones óptimas del motor y para la protección de la salud humana y del medio ambiente, utilice combustible sin plomo, en lo posible.
- Debe agregar aceite de motor de dos carreras (grado de calidad: TSC-3) en la gasolina para lubricar el motor. El motor fue diseñado para utilizar aceite de 2 carreras DOLMAR que no daña el medio ambiente, con una relación de mezcla de 50:1. Este aceite fue desarrollado especialmente para darle una larga vida de servicio del motor y prestaciones fiable del motor con un mínimo de emisiones de gases de escape. Es esencial que respete estrictamente la mezcla de 50:1 (Gasolina/aceite de 2 carreras de DOLMAR), ya que no puede garantizarse un funcionamiento fiable del Cortasetos Articulado de Altura de otra forma.
- Correcta mezcla de gasolina/aceite:
Mezcle 50 partes de gasolina con 1 parte de aceite de motor de 2 carreras de DOLMAR (vea también el cuadro de la derecha).

NOTA: Cuando prepare la mezcla de gasolina/aceite, mezcle primero toda la cantidad de aceite necesaria con la mitad de la cantidad de gasolina necesaria. Agregue el resto de la gasolina y agite bien la mezcla antes de llenar el tanque.
No agregue más aceite del especificado. Si agrega demasiado aceite esto producirá residuos adicionales en la combustión, contaminando el medio ambiente y tapando el silenciador y el canal de escape del cilindro.
Además, aumenta el consumo de combustible en general y es probable que las prestaciones del motor sean malas.

Manipulación de los productos derivados del petróleo

Manipule siempre el combustible con gran cuidado y atención. Como el combustible contiene sustancias similares a los disolventes, la carga de combustible debe hacerse en exteriores o en un lugar con buena circulación de aire. No respire los vapores de gasolina y evite el contacto de la gasolina o aceite con la piel. La piel humana se secará si entra en contacto con petróleo durante un largo período de tiempo. Esto puede provocar distintas enfermedades de la piel y reacciones alérgicas.

La gasolina o aceite que entra en contacto con los ojos puede provocar una gran irritación de los ojos. Si la gasolina o el aceite entran en contacto con sus ojos, lave inmediatamente sus ojos con una gran cantidad de agua limpia. No dude en acudir al médico si continua la irritación.

Reabastecimiento

¡El motor debe apagarse!

- Limpiar completamente la zona alrededor del tapón (2) para evitar que entre suciedad en el tanque (1).
- Aflojar el tapón (2) y llenar el tanque (1) con combustible según sea el caso.
- Apretar fuertemente el tapón (2).
- Limpiar el tapón (2) y al tanque después del llenado.

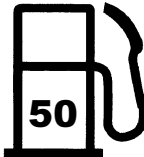

Almacenamiento de combustible

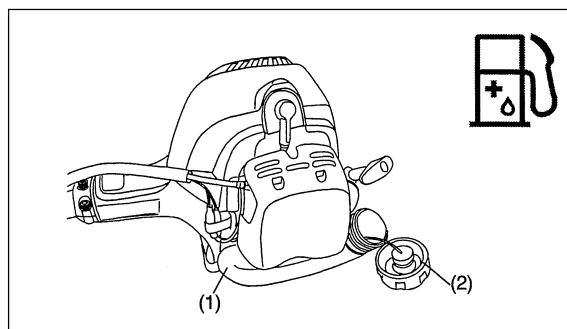
- El combustible se deteriora si lo guarda durante un largo período de tiempo.
- Compre solo la cantidad de combustible que va a utilizar en un período de 4 semanas.
- Utilice solo los recipientes aprobados para guardar derivados del petróleo.



Siga las instrucciones de seguridad de la página 40.

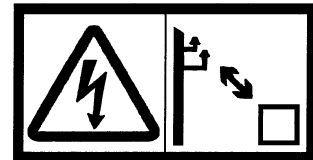
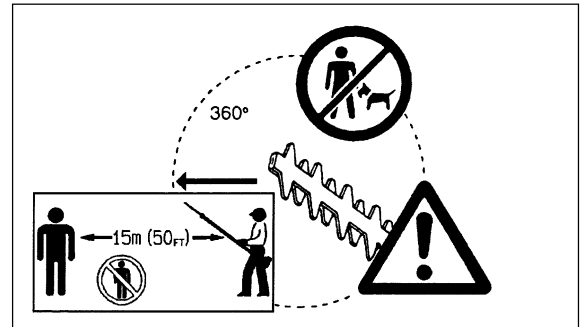


Gasolina	Aceite
	
1000mL (1L) 5000mL (5L) 10000mL (10L)	20mL 100mL 200mL



PRECAUCIONES ANTES DE ARRANCAR EL MOTOR

- En todo momento, deje una zona de seguridad de 15 metros de diámetro alrededor del área de trabajo. Asegúrese de que todas las personas (en especial los niños) y/o animales están fuera de esta zona.
- Antes de utilizar el Cortasetos Articulado de Altura, compruebe que la máquina está en condiciones de funcionamiento seguro. Compruebe que las cuchillas de cortador no están dañadas y compruebe que la palanca de la mariposa de gases se mueve fácilmente. Confirme que las cuchillas de cortador no se están moviendo cuando el motor está en la marcha mínima. Si la máquina no está funcionando normalmente, llame a su tienda para que le ajusten la máquina. Compruebe que los mangos están limpios y secos y compruebe que el interruptor I-O está funcionando correctamente. Arranque el motor sólo de acuerdo con las instrucciones de este manual. No utilice ningún otro método para arrancar el Cortasetos Articulado de Altura (consulte la "Arranque del motor").
- Arranque el motor del Cortasetos Articulado de Altura solo después de leer y entender completamente las instrucciones. Nunca trate de arrancar un Cortasetos Articulado de Altura que no esté totalmente armado. En caso contrario, puede herirse gravemente.
- Antes de arrancar el motor, compruebe siempre que las cuchillas de cortador no están obstruidas por piedras, ramas y otros objetos sólidos.
- Compruebe el área de trabajo por alambres, cables, vidrio u otros objetos extraños que puedan atraparse en las cuchillas del cortador.
- Descarga eléctrica: Tenga cuidado con las líneas eléctricas cercanas. Inspeccione toda el área de trabajo por líneas eléctricas y cercas electrificadas antes de empezar el trabajo.



ARRANQUE DEL MOTOR

Si se acaba de cargar el combustible en la máquina, aléjese por lo menos 3 metros del lugar donde se cargó el Cortasetos Articulado de Altura. Apoye el Cortasetos Articulado de Altura en un lugar bastante limpio sobre un suelo plano y compruebe que las cuchillas de cortador no están en contacto con el suelo ni otros objetos sólido.

Arranque en frío (motor frío / motor parado durante más de 5 minutos / después de cargar combustible)

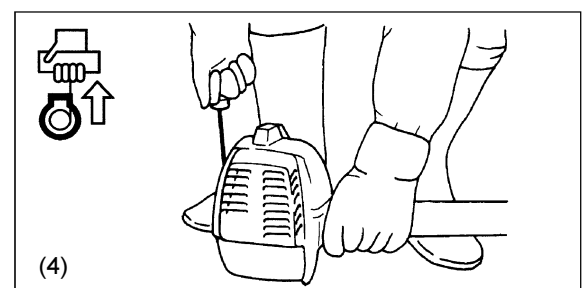
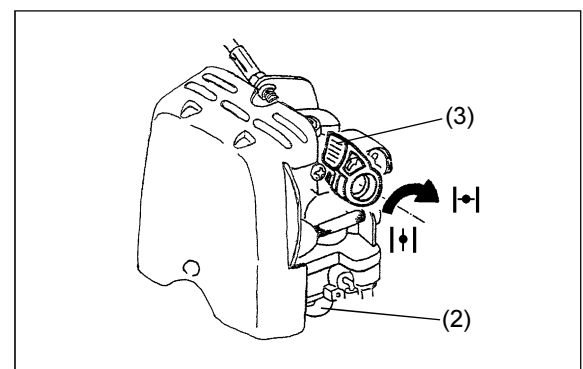
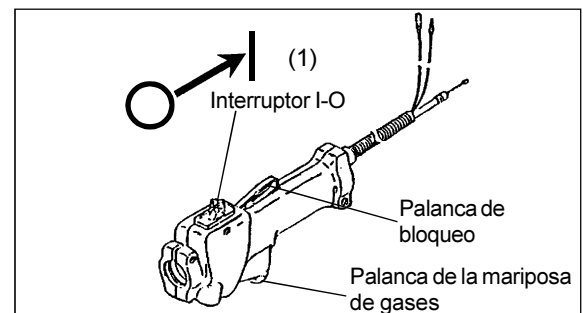
1. Mueva el interruptor I-O a la posición "I" (1).
2. Presione repetidamente la bomba de cebado (2) (7 a 10 veces) hasta que el combustible entre en el bulbo de la bomba.
3. Mueva la palanca de estrangulación (3) a la posición "↕" (vertical).
4. Con una mano, apoye el motor firmemente contra el suelo (4).
5. Tire del cordón del motor de arranque durante aprox. 10~15 cm hasta que pueda sentir cierta resistencia.
6. Tire firmemente del cordón (repetidamente si fuera necesario) hasta que arranque el motor.
7. Vuelva la palanca de estrangulación a la posición "↕" después de arrancar el motor. Tenga en cuenta que la palanca de estrangulación vuelve automáticamente al hacer funcionar la palanca de la mariposa de gases. Apriete la palanca de la mariposa de gases junto con la palanca de bloqueo.
8. Caliente el motor a una velocidad moderada durante aprox. 1~2 minutos.
9. Después de calentar el motor, el motor funciona uniformemente y las transiciones de baja velocidad a alta velocidad son suaves y sin cortes.

Nota: Si tira repetidamente del cordón del motor de arranque con la estrangulación en la posición "↕" entra una cantidad excesiva de combustible lo que hace que el motor tenga complicaciones para arrancar. En el caso de excesiva entrada de combustible, desmonte la bujía de encendido y tire lentamente del cordón del motor de arranque para eliminar el exceso de combustible. Seque el electrodo de la bujía de encendido y vuelva a instalar la bujía de encendido.

Arranque en caliente (vuelva a arrancar inmediatamente después de parar el motor)

No haga funcionar la estrangulación (3) cuando vuelva a arrancar el motor inmediatamente después de parar. Si el motor no arranca, siga los pasos 1~8 descritos anteriormente (arranque en frío).

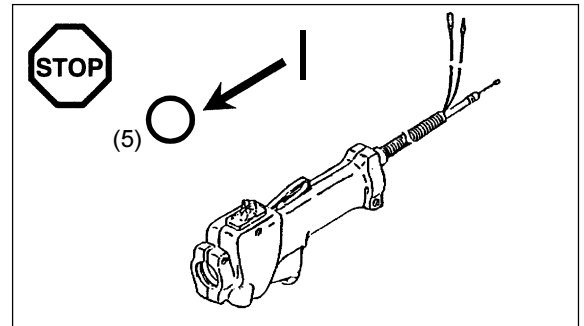
Nota: No suelte inmediatamente la perilla del motor de arranque después de tirar del cordón del motor de arranque, guíe la perilla para que vuelva lentamente a su posición original.



PARADA DEL MOTOR



1. Suelte la palanca de la mariposa de gases.
2. Presione el interruptor I-O a la posición "O" para parar el motor.

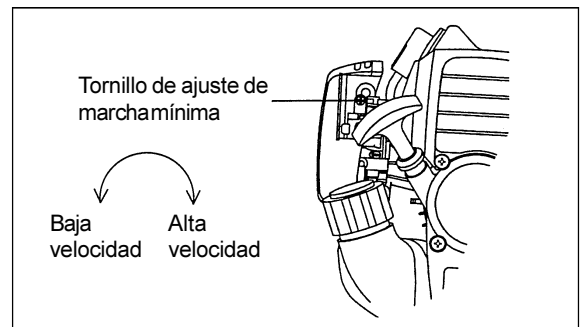


VERIFICACIÓN Y AJUSTE DE LA VELOCIDAD DE MARCHA MÍNIMA

Las cuchillas de cortador del Cortasetos Articulado de Altura no deben moverse cuando se suelta la palanca de la mariposa de gases.

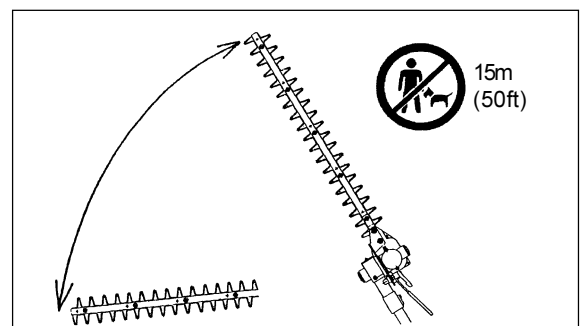
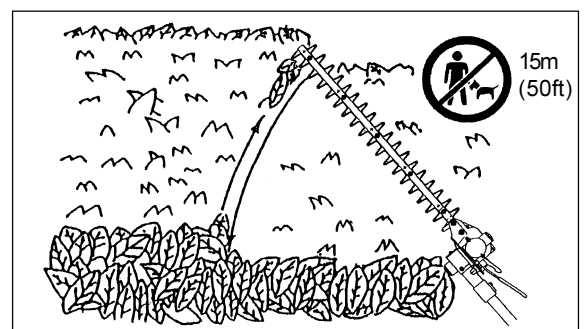
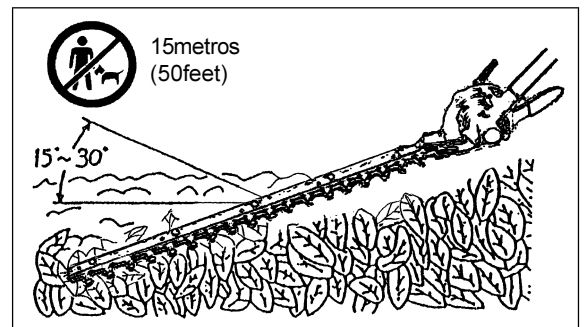
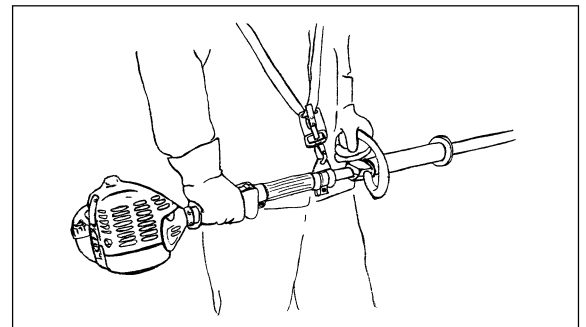
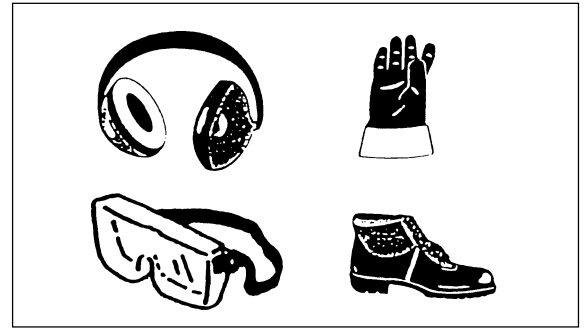
- La velocidad de marcha mínima correcta es de 3000 min^{-1} . Si fuera necesario, ajuste la velocidad de marcha mínima con el tornillo de ajuste de marcha mínima (reduzca las revoluciones hasta que las cuchillas de cortador dejen de moverse).

- Gire el tornillo a la derecha: Aumenta la velocidad de marcha mínima
 - Gire el tornillo a la izquierda: Disminuye la velocidad de marcha mínima.
- Permita que haya una diferencia adecuada entre la velocidad de marcha mínima y la velocidad a la que se engrana el embrague (reduzca más la velocidad de marcha mínima, si fuera necesario). Si las cuchillas de cortador se siguen moviendo a pesar de que los ajustes de velocidad de marcha mínima son los precisos, consulte con su taller de servicio autorizado más cercano.
- El embrague debe engranar a la velocidad mínima de 4000 min^{-1} .
 - Compruebe que el interruptor STOP, la palanca de bloqueo y la palanca de la mariposa de gases están funcionando correctamente.



FUNCIONAMIENTO DEL CORTASETOS ARTICULADO DE ALTURA

- Cuando trabaje con el Cortasetos Articulado de Altura, empuñe firmemente los mangos con ambas manos.
- No toque la parte de la cuchilla de cortador del Cortasetos Articulado de Altura durante el funcionamiento o cuando el motor está en marcha.
- Tenga gran cuidado de no respirar los gases del escape cuando trabaje con el Cortasetos Articulado de Altura. No haga funcionar el Cortasetos Articulado de Altura en una habitación cerrada o en un lugar donde no haya suficiente circulación de aire (riesgo de asfixiarse o envenenamiento con gas). Recuerde que el monóxido de carbono es un gas que no tiene olor y no puede detectarse por la nariz.
- Utilice siempre ropa protectora antes de empezar a trabajar con el Cortasetos Articulado de Altura.
- Pare inmediatamente el motor si el silenciador no está funcionando correctamente.
- Sólo utilice el Cortasetos Articulado de Altura en lugares con buena luz y visibilidad.
- No haga funcionar el Cortasetos Articulado de Altura en la oscuridad o niebla. Tenga cuidado en lugares resbalosos y mojados (hielo y nieve) durante la estación fría (peligro de patinar), y párese firmemente con los pies bien apoyados.
- No utilice el Cortasetos Articulado de Altura mientras está parado sobre una superficie inestable o pendiente pronunciada.
- No utilice el Cortasetos Articulado de Altura mientras esté subido a una escalera.
- No suba a un árbol para utilizar el Cortasetos Articulado de Altura subido a un árbol.
- Inspeccione continuamente el área de trabajo por alambres, cables, vidrio u otros objetos extraños que puedan atraparse en las cuchillas del cortador.
- Confirme que las cuchillas de cortador están en rápido movimiento antes de empezar a cortar.
- Sujete siempre el Cortasetos Articulado de Altura con ambas manos y empuñe firmemente cuando trabaje con la máquina.
- Para asegurar un control óptimo del Cortasetos Articulado de Altura, envuelva sus manos alrededor de los mangos (utilice su pulgar para hacer contrapresión) y empuñe firmemente sus mangos.
- Tenga en cuenta que las cuchillas de cortador continuarán moviéndose hasta dos segundos después de que se ha soltado la palanca de la mariposa de gases.
- No corte con el Cortasetos Articulado de Altura cuando el motor funciona a baja velocidad.
- La velocidad de las cuchillas del cortador no pueden ajustarse correctamente con la palanca de la mariposa de gases cuando el motor está funcionando a baja velocidad.
- Para cortar la superficie superior del seto, alinee primero la herramienta de corte a un ángulo de 15°~30° en el sentido del corte y mantenga el Cortasetos Articulado de Altura en posición horizontal. Empiece a cortar el seto con un movimiento en péndulo, como si dibujara partes de un círculo con el eje del Cortasetos.
- Para cortar los lados de un seto, alinee las cuchillas en paralelo con la superficie a cortar y empiece el corte con movimientos semicirculares hacia arriba (abajo-arriba).
- Preste atención cuando corte un seto que crece al lado de un cerco. Tenga especial cuidado de no permitir que las cuchillas de cortador entren en contacto con materias sólidas como cercos de metal, piedra, hormigón o madera dura ya que pueden dañar las cuchillas y/o provocar una rotura total de la máquina.
- No utilice el Cortasetos Articulado de Altura durante mucho tiempo. Como regla general descanse 10-20 minutos por cada 50 minutos de funcionamiento.
- Si las cuchillas de cortador entran en contacto con piedras u otros objetos sólidos, pare inmediatamente el motor e inspeccione las cuchillas por daños. Cambie las cuchillas si están dañadas.
- Si el Cortasetos articulado de Altura empieza a tener problemas cuando lo está utilizando (ruidos extraños, vibración, etc.), pare inmediatamente el motor. No utilice nuevamente la máquina hasta descubrir y solucionar el problema.
- Haga siempre lo más posible para mantener la contaminación y emisiones de ruidos lo más bajas posibles cuando haga funcionar el Cortasetos Articulado de Altura. Preste especial atención a un ajuste correcto del carburador y mezcla precisa de gasolina/aceite.
- Si se atascan ramas gruesas en las cuchillas de cortador, pare inmediatamente el motor, apoye el equipo sobre el suelo y elimine la obstrucción. Inspeccione las cuchillas por daños antes de continuar utilizando la máquina.



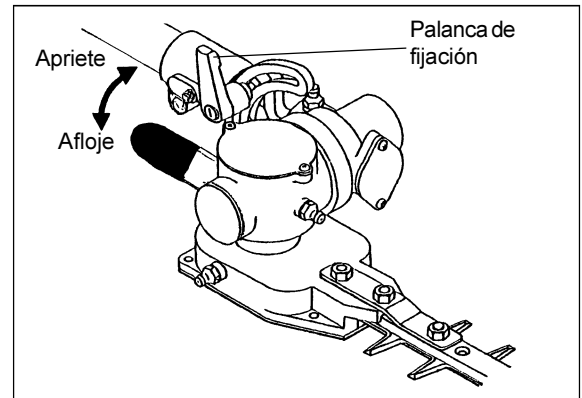
Ajuste del ángulo de corte



1. Apague el motor del Cortasetos Articulado de Altura y apoye la máquina sobre el suelo.
2. Para ajustar el ángulo de la unidad de cortador, afloje la palanca de fijación en la parte superior de la unidad de cortador, girándola hacia la izquierda.
3. Ajuste el ángulo de la unidad de cortador y gire la palanca de fijación hacia la izquierda para asegurar.
 - La unidad de cortador puede ajustarse a cualquier posición entre 45° y 90°.

Nota:

- No ajuste la unidad de cortador cuando el Cortasetos Articulado de Altura está en posición vertical.
- Mueva el interruptor I-O a la posición "O" y apoye el Cortasetos Articulado de Altura para que quede de lado en el piso y ajuste el ángulo de corte.
- Asegure siempre las cuchillas con la cubierta de cuchillas incluida, antes de ajustar el ángulo de corte.



MANTENIMIENTO



- Antes de hacer un trabajo de mantenimiento en el Cortasetos Articulado de Altura (limpieza de cuchilla, etc.), pare siempre el motor y espere hasta que se haya enfriado. Como precaución de seguridad adicional, desmonte también la tapa de bujía de encendido.
- No trate de enderezar o soldar una cuchilla de corte doblada o rota. Cambie siempre las cuchillas dañadas.
- Pare el motor a intervalos regulares para inspeccionar las cuchillas de cortador por posible daño (realice una prueba de resonancia golpeando para detectar grietas finas difíciles de ver a simple vista). Asegúrese siempre que los dientes de las cuchillas están afiladas.
- Limpie el Cortasetos Articulado de Altura a intervalos regulares. Durante la limpieza, compruebe también que todos los tornillos, tuercas y pernos están bien apretados.
- Para reducir el peligro de incendio, no haga el servicio ni guarde el Cortasetos Articulado de Altura cerca del fuego.
- Utilice guantes de protección fuertes cuando trabaje con las cuchillas de cortador.
- Llame a su tienda para el cambio de las cuchillas de cortador.

Afilado de la cuchilla

Si las cuchillas pierden filo y no cortan bien, haga afilar las cuchillas en un agente de servicio autorizado

Ajustes de cuchilla



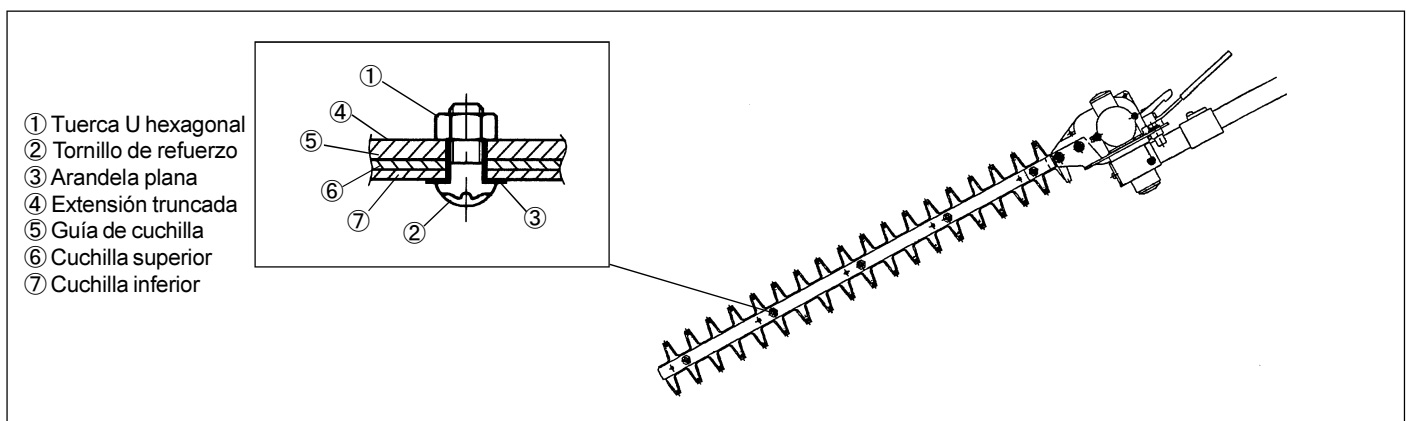
Un uso prolongado del Cortasetos Articulado de Altura desgastará gradualmente las cuchillas. Vuelva a ajustar las cuchillas si nota que empieza a cortar mal. Para el ajuste de las cuchillas, siga las instrucciones a continuación.

1. Afloje la tuerca ①.
2. Apriete ligeramente el tornillo ② hasta que sienta cierta resistencia. Gire el tornillo en el otro sentido en un cuarto o medio giro.
3. Mantenga el tornillo ② en su lugar con un destornillador y apriete la tuerca ①.
4. Después del ajuste lubrique las cuchillas con una fina capa de aceite liviano.
5. Arranque el motor y tire varias veces de la palanca de la mariposa de gases para poner las cuchillas en movimiento. Continúe durante aproximadamente un minuto.
6. Pare el motor y espere hasta que las cuchillas se paren. Toque cuidadosamente las cuchillas con su mano desnuda. El ajuste es el correcto si las cuchillas están calientes pero no demasiado como para no poder tocarlas. Si las cuchillas están demasiado calientes como para tocarlas, afloje el tornillo ② otro cuarto a medio giro y repita los pasos 5~6 para confirmar que el ajuste es el correcto.

NOTA: ¡Pare siempre el motor y desmonte la tapa de bujía incandescente antes de ajustar las cuchillas!

Las cuchillas tienen ranuras alrededor de los tornillos de refuerzo ②.

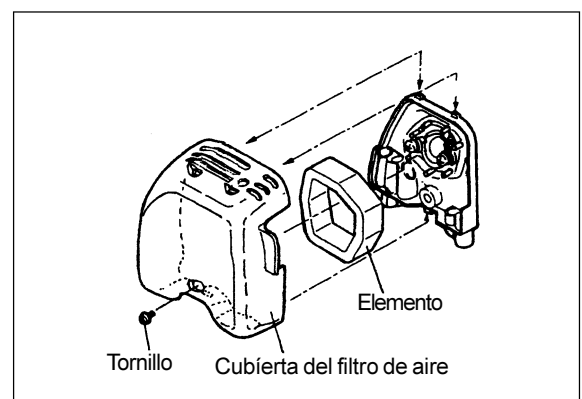
Mantenga estas ranuras limpias para que pueda inspeccionarlas por posibles daños.



Limpieza del filtro de aire – Cada 8 horas (diario)

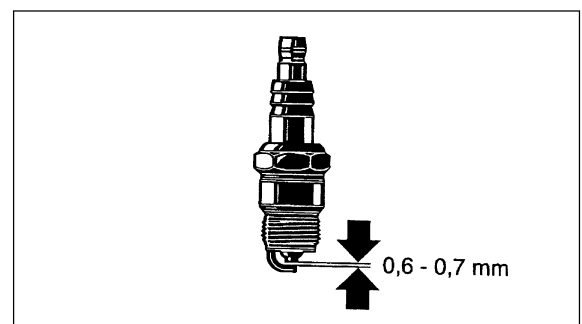
- Desmonte la cubierta del filtro de aire.
- Desmonte el elemento de esponja. Lave el elemento de esponja en agua tibia y deje secar completamente.
- Vuelva a colocar el elemento de esponja limpiado y s y vuelva a instalar la cubierta del filtro de aire.

Nota: Limpie el filtro de aire diariamente. Un filtro de aire tapado puede hacer difícil o imposible arrancar y/o acelerar el motor.



Inspección de bujías de encendido – Cada 8 horas (diario)

- Utilice sólo la llave universal incluida para desmontar y cambiar la bujía de encendido.
- La luz de bujía de encendido debe estar en 0,6~0,7 mm. Ajuste la luz de bujía de encendido si está demasiado ancha o angosta. Limpie o cambie la bujías de encendido si está sucia y/o tapada con residuos de carbón. Cambie siempre por el mismo tipo de bujía de encendido.

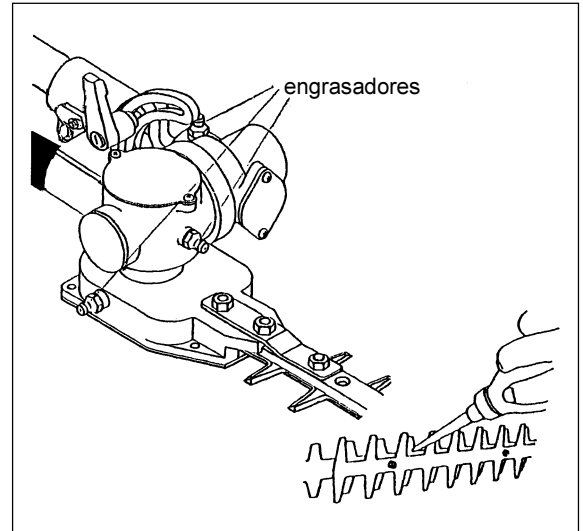




Adición de grasa y lubricante

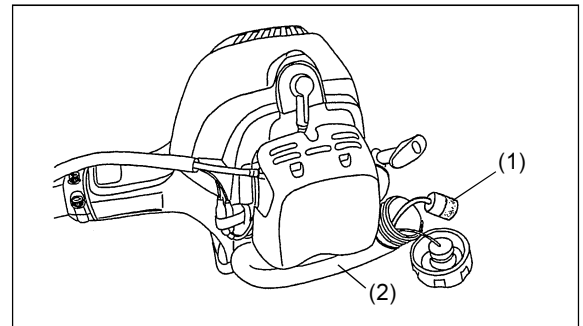
- La caja de engranajes del Cortasetos Articulado de Altura debe engrasarse cada 20 horas de funcionamiento. Agregue unos 10cc de lubricante (Shell Alvania No. 3 o equivalente) en la caja de engranajes a través de los tubos de grasa. (Un poco de grasa saldrá por la cabeza de la caja de engranajes (en la base de la cuchilla) cuando se mueve por primera vez el Cortasetos Articulado de Altura después de engrasar. Utilice esto como un indicador aproximado de la cantidad de grasa a suministrar.)

Nota: Respete los intervalos de engrase y la cantidad de grasa a suministrar. Las piezas mecánicas del Cortasetos Articulado de Altura pueden dañarse si no se suministra grasa a los intervalos especificados o si no se agrega suficiente cantidad de grasa.



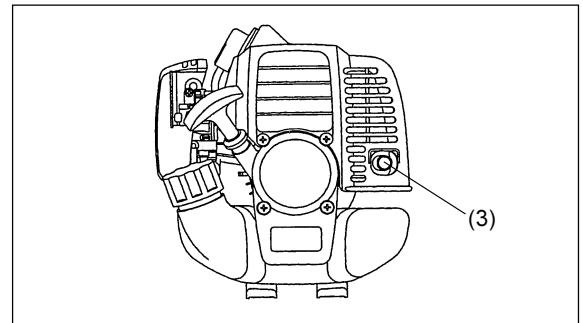
Filtro del tanque de combustible

- El interior del tanque de combustible está equipado con un filtro (1) que limpia el combustible antes de que entre en el carburador.
 - Inspeccione visualmente el filtro a intervalos regulares. Para ello, utilice un pedazo de alambre con forma de gancho y saque el filtro del tanque (2). Cambie el filtro si está duro, tapado o muy contaminado.
 - Si el suministro de combustible es insuficiente porque el filtro de combustible está deteriorado, puede tener malas prestaciones del motor. Para asegurar que entra la cantidad necesaria de combustible en el carburador, cambia el filtro de combustible cuando tenga dudas sobre su estado.



Limpieza de la salida del silenciador

- Inspeccione el estado de la salida del silenciador (3) a intervalos regulares.
 - Utilice una herramienta apropiada para eliminar los residuos de carbón excesivo acumulados alrededor de la salida del silenciador. Tenga especial cuidado para evitar que los residuos de carbón eliminado entren en las piezas del motor.



Limpieza del supresor de chispas

- El supresor de chispas debe limpiarse cada 50 horas de funcionamiento.
 - Solicite la limpieza del supresor de chispas en su tienda o por un taller de servicio autorizado.

Para los demás trabajos de mantenimiento no mencionados en este manual de instrucciones, consulte con su tienda o taller de servicio autorizado.

Inspección y mantenimiento diarios

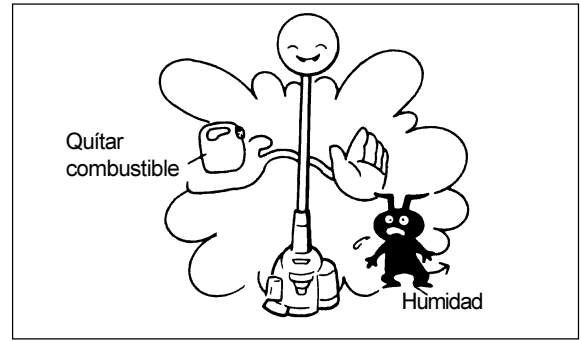
Para garantizar una larga vida de uso de su Cortasetos Articulado de Altura, realice diariamente las siguientes inspecciones y mantenimientos.

- Inspeccione siempre por piezas flojas o faltantes antes de hacer funcionar. Preste especial atención a la unidad de corte y compruebe que los tornillos de fijación del cortador están bien apretados.
- Inspeccione por obstrucción de los pasos de aire de enfriamiento y aletas de enfriamiento del cilindro antes de empezar el funcionamiento. Limpie si fuera necesario.
- Cada día, después de utilizar el Cortasetos Articulado de Altura, realice lo siguiente.
 - Limpie el exterior del Cortasetos Articulado de Altura; inspeccione por daños y piezas flojas.
 - Limpie el filtro de aire. Limpie el filtro varias veces al día si está trabajando en lugares muy sucios.
 - Inspeccione por daños en las cuchillas de cortador. Asegúrese de que las cuchillas están montadas firmemente.

ALMACENAMIENTO

Si se va a guardar el Cortasetos Articulado de Altura durante un largo período de tiempo, realice lo siguiente:

- Drene todo el combustible del tanque y carburador.
- Desmonte la bujía de encendido y agregue unas gotas de aceite de dos carreras por el orificio de la bujía de encendido. Saque suavemente el cordón del motor de arranque para asegurarse de que el aceite se distribuya uniformemente dentro del motor. Vuelva a instalar y apriete la bujía de encendido.
- Limpie todo el Cortasetos Articulado de Altura y aplique una fina capa de aceite en las superficies metálicas de la máquina. Asegure y proteja las cuchillas con la cubierta de cuchilla suministrada. Guarde el Cortasetos Articulado de Altura en un lugar libre de humedad.



PROGRAMA DE MANTENIMIENTO

General	Motor Tornillos, tuercas, pernos	Inspeccione el estado general y seguridad Inspeccione visualmente por daños Confirme que los tornillos, tuercas y pernos están firmemente instalados
Después de la carga de combustible	Palanca de la mariposa de gases Palanca de bloqueo interruptor STOP	Inspeccione el funcionamiento Inspeccione el funcionamiento Inspeccione el funcionamiento
Diario	Filtro de aire Conducto de aire de enfriamiento Herramienta de corte Marcha mínima	Limpie Limpie Inspeccione por daños, confirme el filo Confirme que las cuchillas de cortador no se mueven
Cada 20 horas	Caja de engranajes	Agregue grasa
Semanal	Bujía de encendido Silenciador	Inspeccione, cambia si fuera necesario Inspeccione, limpie la salida si fuera necesario
Trimestralmente	Filtro de combustible Tanque de combustible	Limpie o cambia si fuera necesario Limpie el interior
Antes de guardar durante mucho tiempo	Tanque de combustible Carburador	Drene el combustible Mantenga el motor en marcha hasta que se acabe el combustible

LOCALIZACIÓN DE AVERÍAS

Problema	Sistema	Observaciones	Causa
El motor no arranca o tiene dificultad en arrancar	Encendido	Hay chispa de encendido	Problema con el suministro de combustible o sistema de compresión, defecto mecánico
		No hay chispa de encendido	Interruptor STOP en la posición OFF, cable roto, bujía de encendido o conector defectuoso, módulo de encendido defectuoso
	Suministro de combustible	Hay combustible	Mal ajuste de la estrangulación, carburador defectuoso, filtro de combustible contaminado, manguera de combustible rota o doblada
	Compresión	Dentro del motor	Empaquetadura de cilindro defectuosa, sellos de cigüeñal dañados, pistón y/o aros de cilindro defectuosos
		Fuera del motor	Bujía de encendido floja
Problemas en el arranque en caliente	Mecánico	No funciona el motor de arranque	Muelle del motor de arranque defectuoso, defecto mecánico en el interior del motor
		Hay combustible Funciona el encendido	Carburador contaminado (haga limpiar el carburador)
El motor arranca pero se produce de inmediato un calado	Suministro de combustible	Hay combustible	Mal ajuste de marcha mínima, carburador o filtro de combustible contaminado
			Salida de ventilación del tanque de combustible defectuoso, manguera de combustible rota, interruptor STOP defectuoso (contacto flojo, etc.)
Malas prestaciones	Varios sistemas pueden verse afectados al mismo tiempo	Marcha mínima del motor	Filtro de aire contaminado, carburador contaminado, silenciador tapado, conducto de escape de cilindro tapado

MEMO



DOLMAR GmbH
Postfach 70 04 20
D-22004 Hamburg
Germany

Free Manuals Download Website

<http://myh66.com>

<http://usermanuals.us>

<http://www.somanuals.com>

<http://www.4manuals.cc>

<http://www.manual-lib.com>

<http://www.404manual.com>

<http://www.luxmanual.com>

<http://aubethermostatmanual.com>

Golf course search by state

<http://golfingnear.com>

Email search by domain

<http://emailbydomain.com>

Auto manuals search

<http://auto.somanuals.com>

TV manuals search

<http://tv.somanuals.com>