

Spare Parts List

2006-10



MS-20 C
MS-22 C

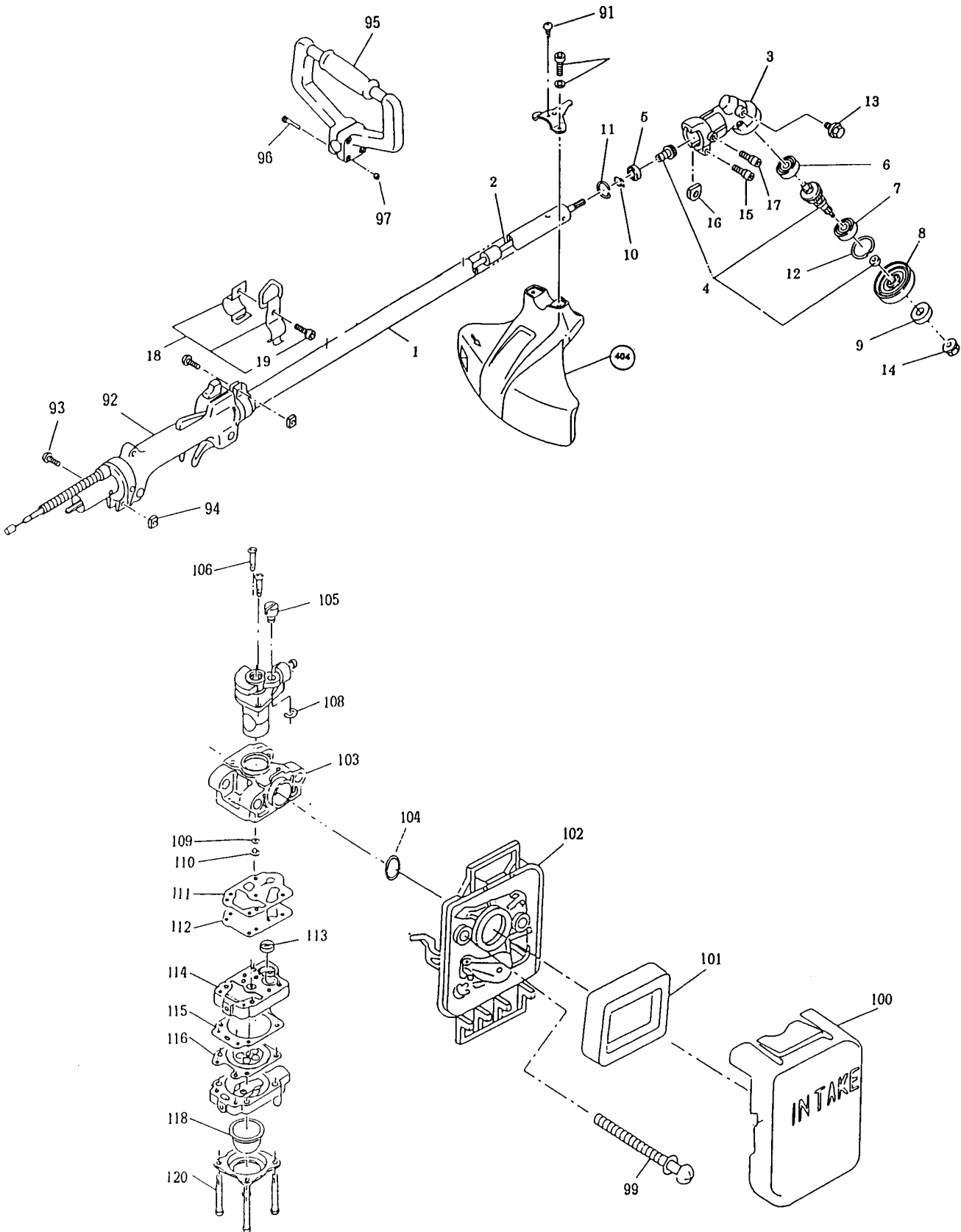
IMPORTANT! - To assure product SAFETY and RELIABILITY, repairs, maintenance or adjustments should be performed by DOLMAR Service Centers, or other qualified service organisations. Always use DOLMAR replacement parts.

DOLMAR



A member of the *Makita* Group

995 700 252 (GB)

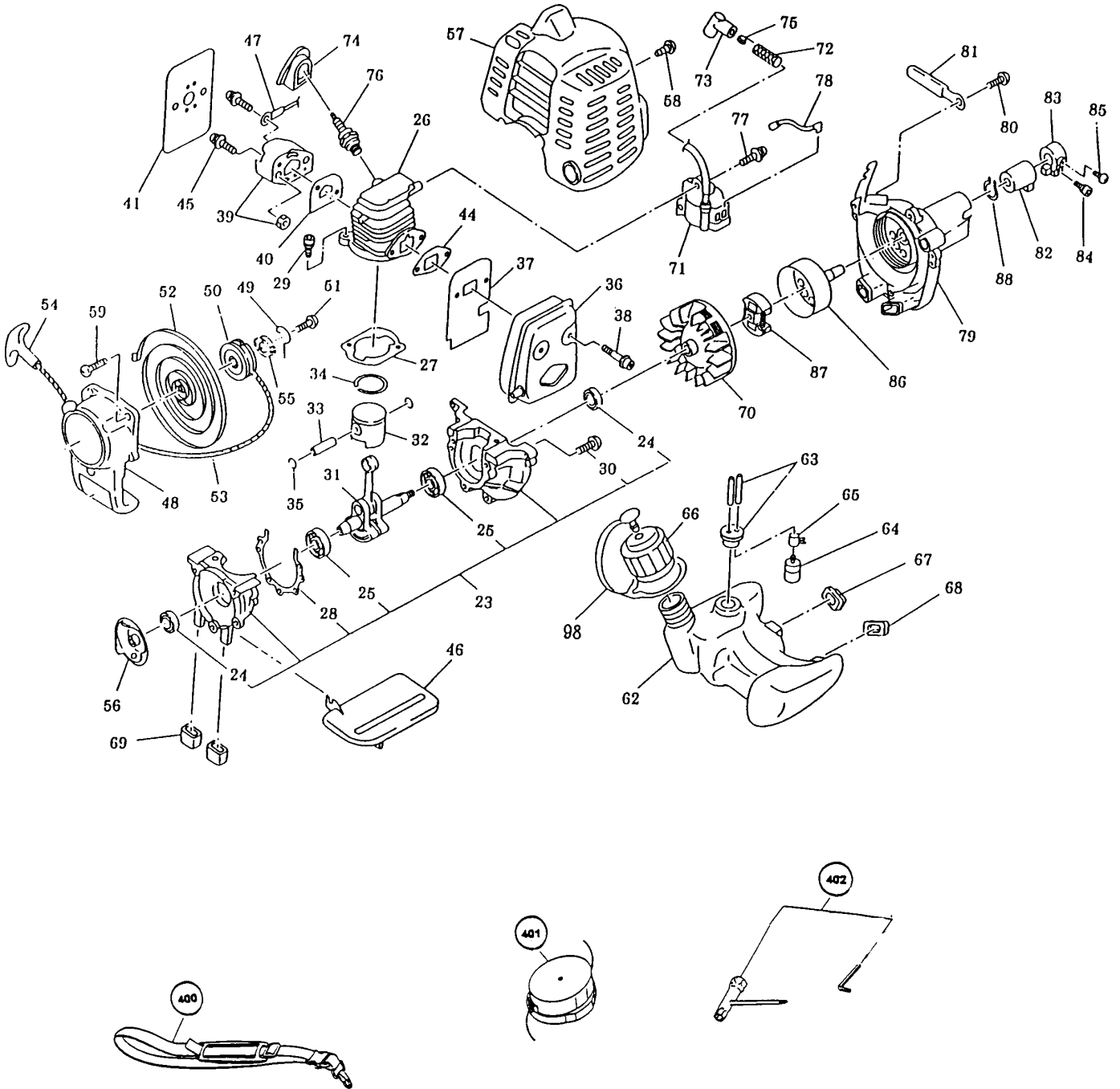


MS-20 C

DOLMAR



Page	Pos.	MS-20 C	MS-22 C	Part No.	Notes	Description	Specifications
1	1	1		374 101 000		SHAFT PIPE COMPLETE	
1	2	1		374 150 040		SHAFT	
1	3	1		374 300 400		GEAR CASE ASS'Y	INC. 4,5,6,7,8-16
1	4	1		367 300 300		CUTTER SHAFT SET	
1	5	1		381 250 030		BALL BEARING	#609ZZ
1	6	1		367 006 999		BALL BEARING	626ZZ
1	7	1		367 010 993		BALL BEARING	6000DDU
1	8	1		381 850 010		RECEIVE WASHER	
1	9	1		381 300 401		WASHER	
1	10	1		381 150 800		OUTER SNAP RING	
1	11	1		381 142 400		INNER SNAP RING	
1	12	1		381 142 600		INNER SNAP RING	
1	13	1		367 301 101		OIL BOLT	M6X9
1	14	1		381 300 402		NUT	M8
1	15	1		367 905 989		SOCKET HEAD BOLT	M5X25
1	16	1		381 150 140		GASKET	
1	17	1		367 905 990		SOCKET HEAD BOLT	M5X12
1	18	1		381 700 200		HANGER ASS'Y	INC. 19
1	19	1		374 905 985		SOCKET HEAD BOLT	M5X14
1	91	1		381 005 994		TAPPING SCREW	
1	92	1		374 500 700		CONTROL LEVER ASS'Y	INC. 93,94
1	93	2		374 906 988		SOCKET HEAD BOLT	M6X20
1	94	2		374 501 114		NUT	
1	95	1		374 450 000		HANDLE (LOOP TYPE)	
1	96	4		367 905 986		SOCKET HEAD BOLT	M5X33
1	97	4		381 270 500		NUT	M5
1	99	2		374 330 565		SCREW ASS'Y	
1	100	1		374 300 403		AIR CLEANER COVER	
1	101	1		374 300 401		AIR FILTER	
1	102	1		374 300 402		AIR CLEANER HOUSING	
1	103	1		374 600 500		CARBURETOR	INC. 105,106,108-120
1	104	1		374 606 100		O RING	
1	105	1		381 601 804		SWIVEL	
1	106	2		388 600 803		PAN HEAD SCREW	
1	108	1		381 600 512		RING	
1	109	1		381 600 101		O RING	
1	110	1		374 600 202		JET	
1	111	1		381 600 103		PUMP GASKET	
1	112	1		381 600 104		PUMP DIAPHRAGM	
1	113	1		381 600 401		INLET SCREEN	
1	114	1		374 604 613		PUMP BODY ASS'Y	INC. 113
1	115	1		381 604 604		METERING DIAPHRAGM GASKET	
1	116	2		381 600 525		METERING DIAPHRAGM ASS'Y	
1	118	1		381 600 115		PRIMER PUMP	
1	120	4		381 604 601		PUMP COVER SCREW	
1	404	1		381 800 800		PROTECTOR ASS'Y	INC. PROTECTOR CLAMP & BOLT

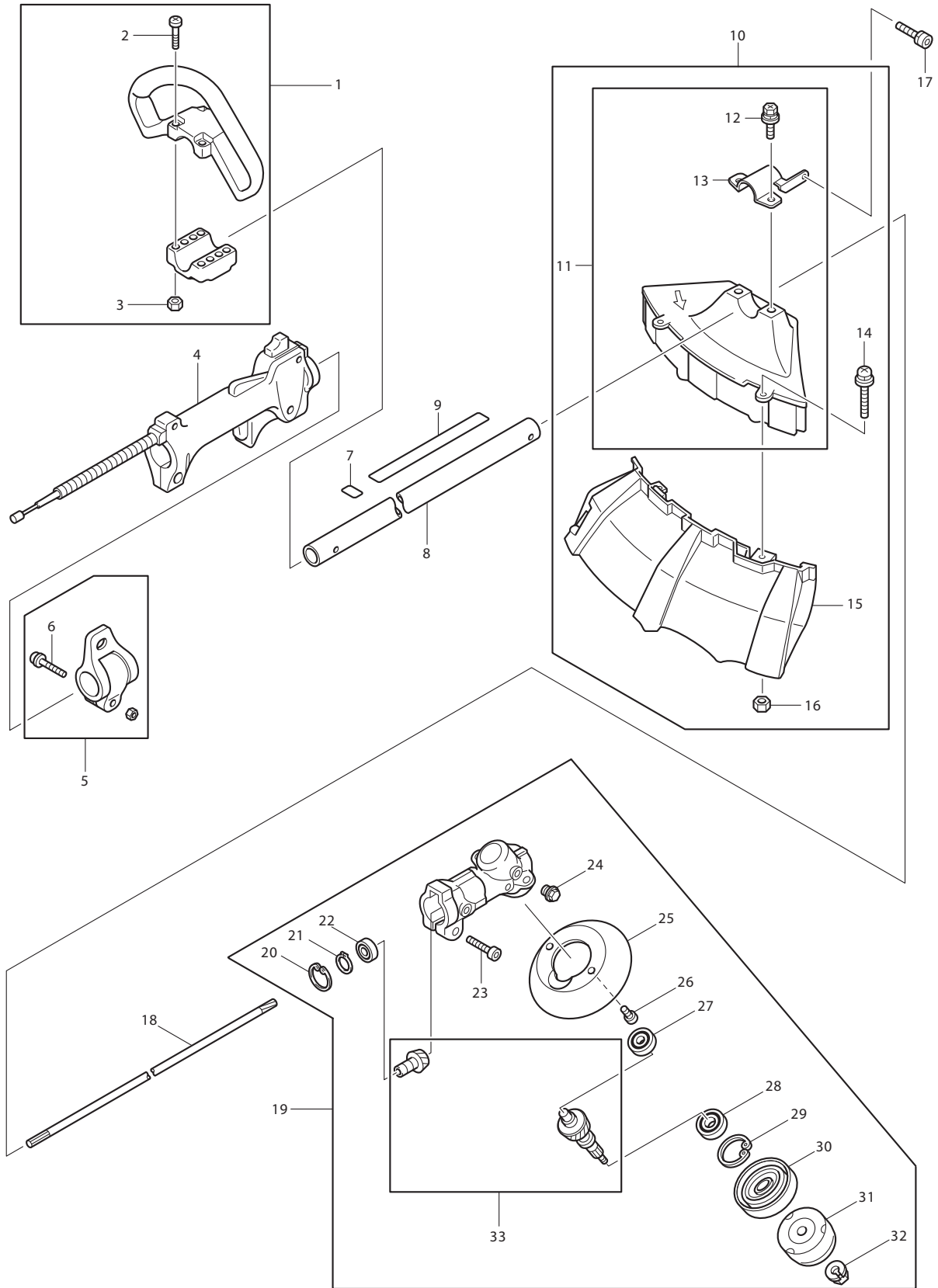


MS-20 C

DOLMAR



Page	Pos.	MS-20 C	MS-22 C	Part No.	Notes	Description	Specifications
2	23	1		383 100 400		CRANK CASE ASS'Y	INC. 24,25,28,30
2	24	2		374 010 998		OIL SEAL	
2	25	2		381 010 998		BALL BEARING	6000
2	26	1		374 150 070		CYLINDER	
2	27	1		382 150 030		CYLINDER GASKET	
2	28	1		318 150 040		CRANKCASE GASKET	
2	29	2		382 905 973		SOCKET HEAD BOLT	M5X20
2	30	3		388 005 950		SCREW	M5X25
2	31	1		374 200 100		CRANKSHAFT COMPLETE	
2	32	1		381 250 080		PISTON	
2	33	1		367 250 050		PISTON PIN	
2	34	1		367 250 060		PISTON RING	
2	35	2		388 508 997		CLIP	
2	36	1		368 300 100		EXHAUST MUFFLER	
2	37	1		381 350 000		MUFFLER INSULATOR	
2	38	2		367 905 952		SOCKET HEAD BOLT	M5X40
2	39	1		381 301 400		INSULATOR COMPL.	
2	40	1		377 350 050		INSULATOR GASKET	
2	41	1		374 350 040		CARBURETOR GASKET	
2	44	1		377 350 020		GASKET (MUFFLER)	
2	45	2		388 005 950		SCREW	M5X25
2	46	1		383 350 010		PLATE	
2	47	1		381 550 020		WIRE	
2	48	1		381 500 900	Y-04518	REWIND STARTER ASS'Y	INC. 49-56
2	49	1		367 500 210		SWING ARM	
2	50	1		383 500 203		REEL	
2	51	1		367 500 206		SET SCREW	
2	52	1		381 500 205		SPIRAL SPRING	
2	53	1		388 501 602		STARTER ROPE	
2	54	1		388 500 402		HANDLE	
2	55	1		367 500 211		COLLAR	
2	56	1		367 550 000		PULLEY	
2	57	1		377 550 120		CYLINDER COVER	
2	58	1		377 150 050		TAPPING SCREW	
2	59	3		367 360 425		SCREW ASS'Y	M4X25
2	62	1		381 650 000		FUEL TANK	
2	63	1		374 113 995		TUBE	
2	64	1		382 650 390		FILTER	
2	65	1		382 650 170		HOSE CLAMP	
2	66	1		377 601 400		FUEL TANK CAP	
2	67	1		381 650 020		PLATE	
2	68	1		381 650 030		PLATE	
2	69	2		381 650 025		DAMPER	
2	70	1		381 700 101		FLYWHEEL	
2	71	1		381 700 102		IGNITION COIL	
2	72	1		374 111 993		TUBE	
2	73	1		374 500 994		PLUG CAP	
2	74	1		388 750 010		PLUG CAP COVER	
2	75	1		377 400 993		PLUG CAP SPRING	
2	76	1		374 014 981		SPARK PLUG	
2	77	1		367 004 992		SCREW ASS'Y	M4X20
2	78	1		367 701 800		WIRE COMPLETE	
2	79	1		374 500 400		CLUTCH CASE COMPLETE	
2	80	3		381 005 998		TAPPING SCREW	M5X20
2	81	1		374 605 998		CLAMP	
2	82	1		374 150 020		PIPE DAMPER	
2	83	1		374 100 200		PIPE BRACKET	
2	84	1		383 905 988		SOCKET HEAD BOLT	M5X25
2	85	1		377 150 050		TAPPING SCREW	
2	86	1		383 200 100		CLUTCH DRUM COMPLETE	
2	87	1		381 200 200		CLUTCH	
2	88	1		374 151 000		OUTER SNAP RING	10
2	98	1		377 502 100		STRAP UNIT	
2	400	1		367 700 300		BAND ASS'Y	
2	401	1	1	381 224 267		NYLON CUTTING HEAD (BUMP& FEED)	BF4L
2	402	1		381 900 600		TOOL KIT	

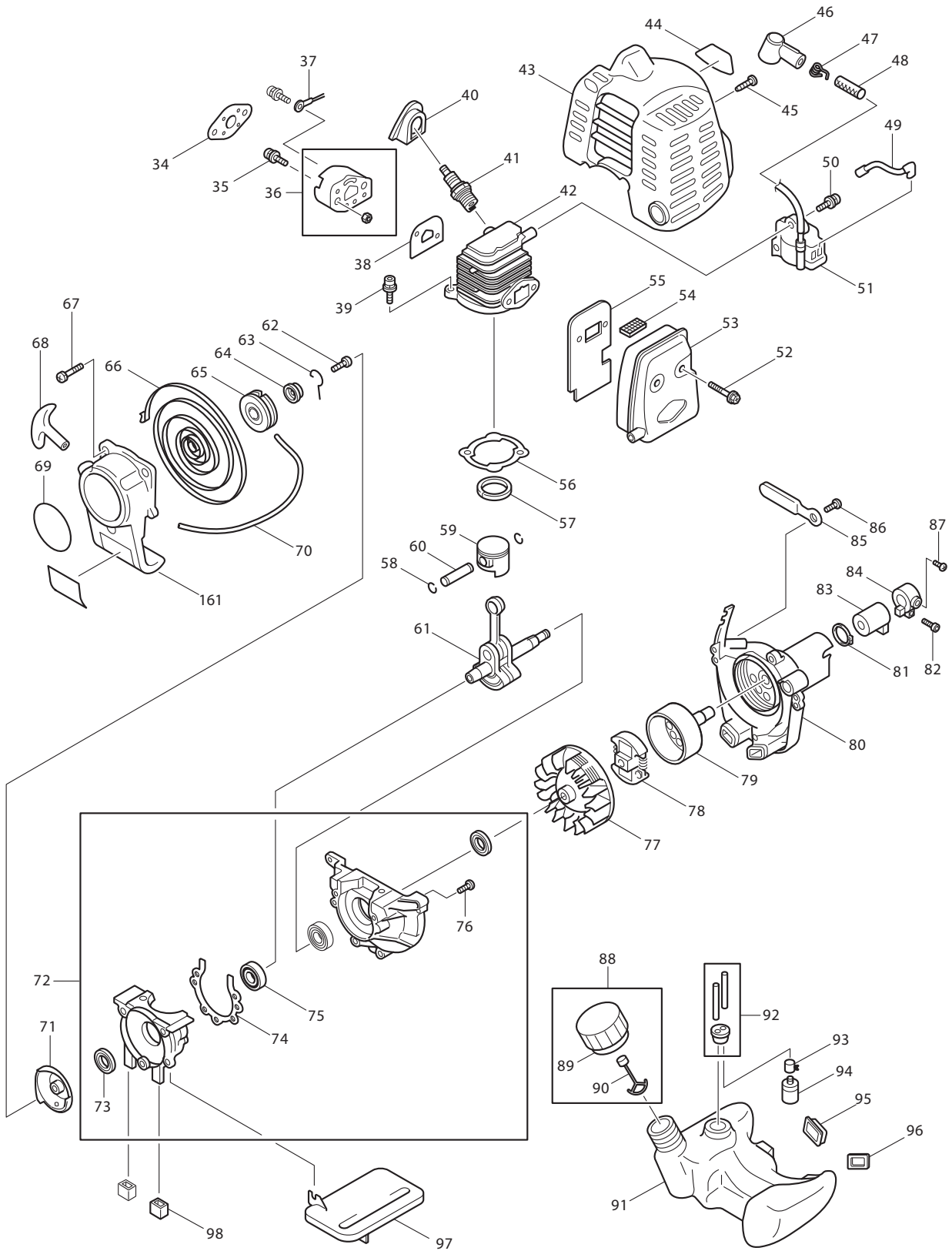


MS-22 C

DOLMAR



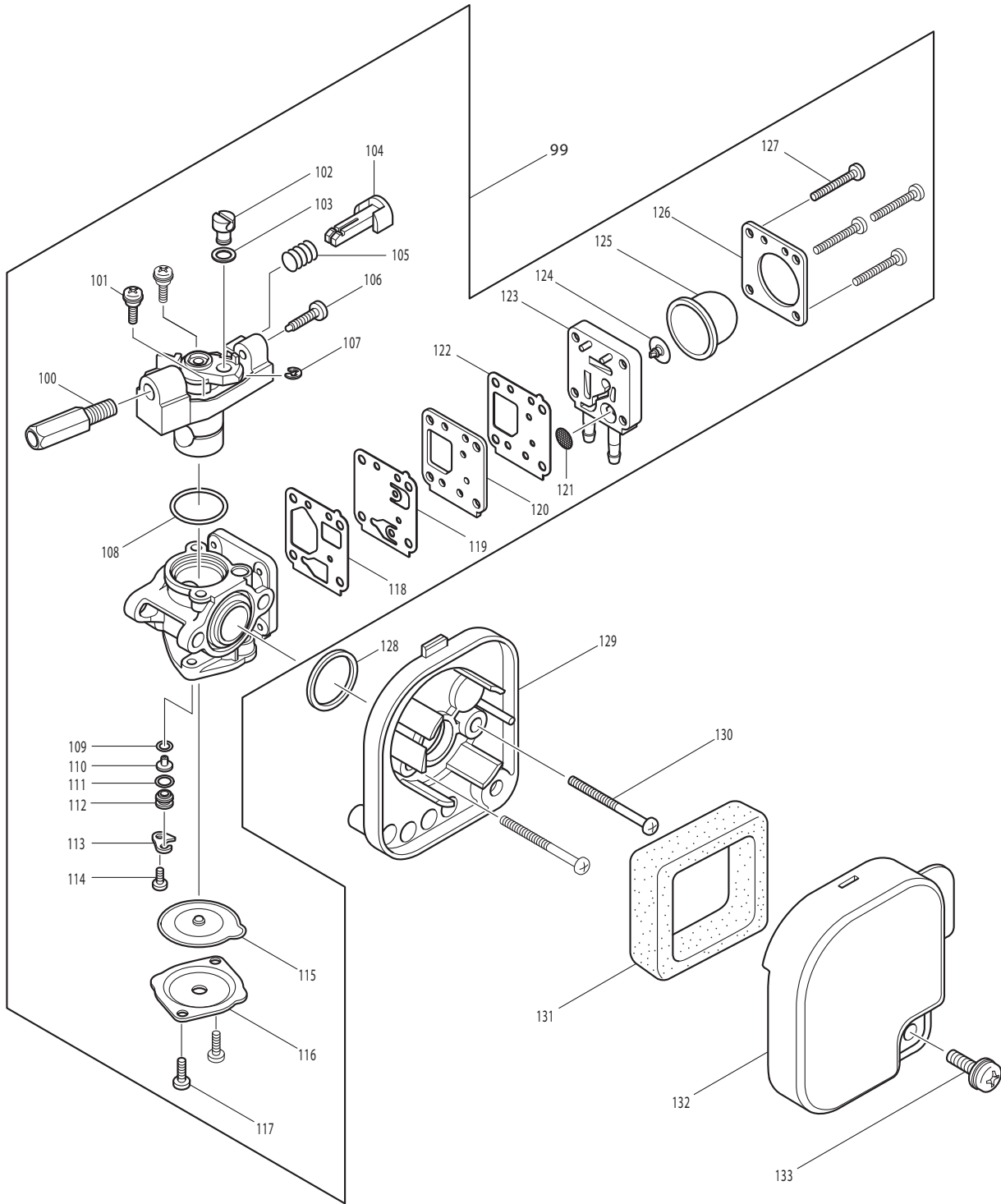
Page	Pos.	MS-20 C	MS-22 C	Part No.	Notes	Description	Specifications
3	1		1	374 401 700		HANDLE SET	INC. 2,3
3	2		4	374 401 603		SCREW	
3	3		4	381 270 500		NUT	M5
3	4		1	374 502 100		CONTROL LEVER ASS'Y	INC. 152-160, SECTION 6
3	5		1	381 700 500		HANGER ASS'Y	INC. 6
3	6		1	381 005 936		SCREW & WASHER ASS'Y	
3	7		1	367 951 470		CAUTION LABEL	
3	8		1	374 100 100		SHAFT PIPE COMPLETE	
3	9		1	374 952 130		CAUTION LABEL	
3	10		1	374 801 400	STANDARD EQUIPMENT	PROTECTOR ASSY	INC. 11,14-16
3	11		1	367 806 100	STANDARD EQUIPMENT	PROTECTOR ASS'Y	INC. 12,13
3	12		2	381 006 979		BOLT	M6X30
3	13		1	382 850 820		PROTECTOR CLAMP	
3	14		2	381 005 938		SCREW ASSEMBLY	
3	15		1	367 800 800		PROTECTOR COMPLETE	
3	16		2	367 180 500		NUT	M5
3	17		1	367 905 949		SOCKET HEAD BOLT	M5X14 (W,SW)
3	18		1	367 150 630		SHAFT	
3	19		1	382 300 600		CASE,GEAR ASSY	INC. 20-33
3	20		1	381 142 400		INNER SNAP RING	
3	21		1	374 300 612		OUTER SNAP RING	
3	22		1	381 250 030		BALL BEARING	#609ZZ
3	23		1	367 905 989		SOCKET HEAD BOLT	M5X25
3	24		1	367 301 101		OIL BOLT	M6X9
3	25		1	381 850 020		GUARD	
3	26		2	381 005 939		SCREW ASSEMBLY	
3	27		1	367 006 999		BALL BEARING	626ZZ
3	28		1	388 010 991		BALL BEARING	6000DDU
3	29		1	381 142 600		INNER SNAP RING	
3	30		1	367 850 160		RECEIVE WASHER	
3	31		1	381 800 300		CLAMP COMPL. WASHER	
3	32		1	367 850 500		NUT	
3	33		1	388 300 800		CUTTER SHAFT SET	



MS-22 C



Page	Pos.	MS-20 C	MS-22 C	Part No.	Notes	Description	Specifications
4	34		1	381 350 280		SPACER GASKET	
4	35		2	388 005 950		SCREW	M5X25
4	36		1	381 301 400		INSULATOR COMPL.	
4	37		1	381 550 020		WIRE	
4	38		1	377 350 050		INSULATOR GASKET	
4	39		2	382 905 973		SOCKET HEAD BOLT	M5X20
4	40		1	388 750 010		PLUG CAP COVER	
4	41		1	374 014 971		SPARK PLUG	
4	42		1	381 150 090		CYLINDER	
4	43		1	374 550 300		COVER,CYLINDER	HD
4	44		1	381 950 810		TRADE MARK LABEL "DOLMAR"	
4	45		1	388 005 979		TAPPING SCREW	5X14
4	46		1	388 500 987		PLUG CAP	
4	47		1	377 400 993		PLUG CAP SPRING	
4	48		1	374 108 995		TUBE	
4	49		1	374 701 800		WIRE COMPL.	
4	50		2	381 004 977		SCREW ASSY	M4X16(W,SW)
4	51		1	374 701 101		IGNITION COIL	
4	52		1	367 905 952		SOCKET HEAD BOLT	M5X40
4	53		1	368 300 100		EXHAUST MUFFLER	
4	54		1	374 300 105		SPARK ARRESTER	
4	55		1	383 350 000		INSULATOR,MUFFLER	
4	56		1	382 150 030		CYLINDER GASKET	
4	57		1	374 250 050		PISTON RING	
4	58		2	388 508 997		CLIP	
4	59		1	374 250 170		PISTON	
4	60		1	367 250 050		PISTON PIN	
4	61		1	388 200 100		CRANKSHAFT COMPLETE	
4	62		1	367 500 206		SET SCREW	
4	63		1	367 500 210		SWING ARM	
4	64		1	367 500 211		COLLAR	
4	65		1	383 500 203		REEL	
4	66		1	381 500 205		SPIRAL SPRING	
4	67		3	381 004 977		SCREW ASSY	M4X16(W,SW)
4	68		1	388 500 402		HANDLE	
4	69		1	374 952 050		MODEL LABEL	
4	70		1	388 501 602		STARTER ROPE	
4	71		1	367 550 000		PULLEY	
4	72		1	383 100 400		CRANK CASE ASS'Y	INC. 73-76
4	73		2	374 010 998		OIL SEAL	
4	74		1	318 150 040		CRANKCASE GASKET	
4	75		2	381 010 998		BALL BEARING	6000
4	76		3	388 005 952		SCREW	M5X25
4	77		1	374 701 701		FLYWHEEL	
4	78		1	381 200 200		CLUTCH	
4	79		1	383 200 100		CLUTCH DRUM COMPLETE	
4	80		1	374 500 400		CLUTCH CASE COMPLETE	
4	81		1	374 151 000		OUTER SNAP RING	
4	82		1	383 905 988		SOCKET HEAD BOLT	M5X25
4	83		1	374 150 020		PIPE DAMPER	
4	84		1	374 150 130		PIPE BRACKET	
4	85		1	374 605 998		CLAMP	
4	86		3	374 005 978		TAPPING SCREW	M5X20
4	87		1	374 905 985		SOCKET HEAD BOLT	M5X14
4	88		1	377 605 900		FUEL TANK CAP COMPLETE	INC. 89,90
4	89		1	374 605 800		FUEL TANK CAP	
4	90		1	374 606 700		STRAP	
4	91		1	382 650 000		FUEL TANK	
4	92		1	374 115 992		TUBE	
4	93		1	381 105 999		HOSE CLAMP	
4	94		1	382 650 390		FILTER	
4	95		1	381 650 020		PLATE	
4	96		1	381 650 030		PLATE	
4	97		1	383 350 010		PLATE	
4	98		2	381 650 025		DAMPER	

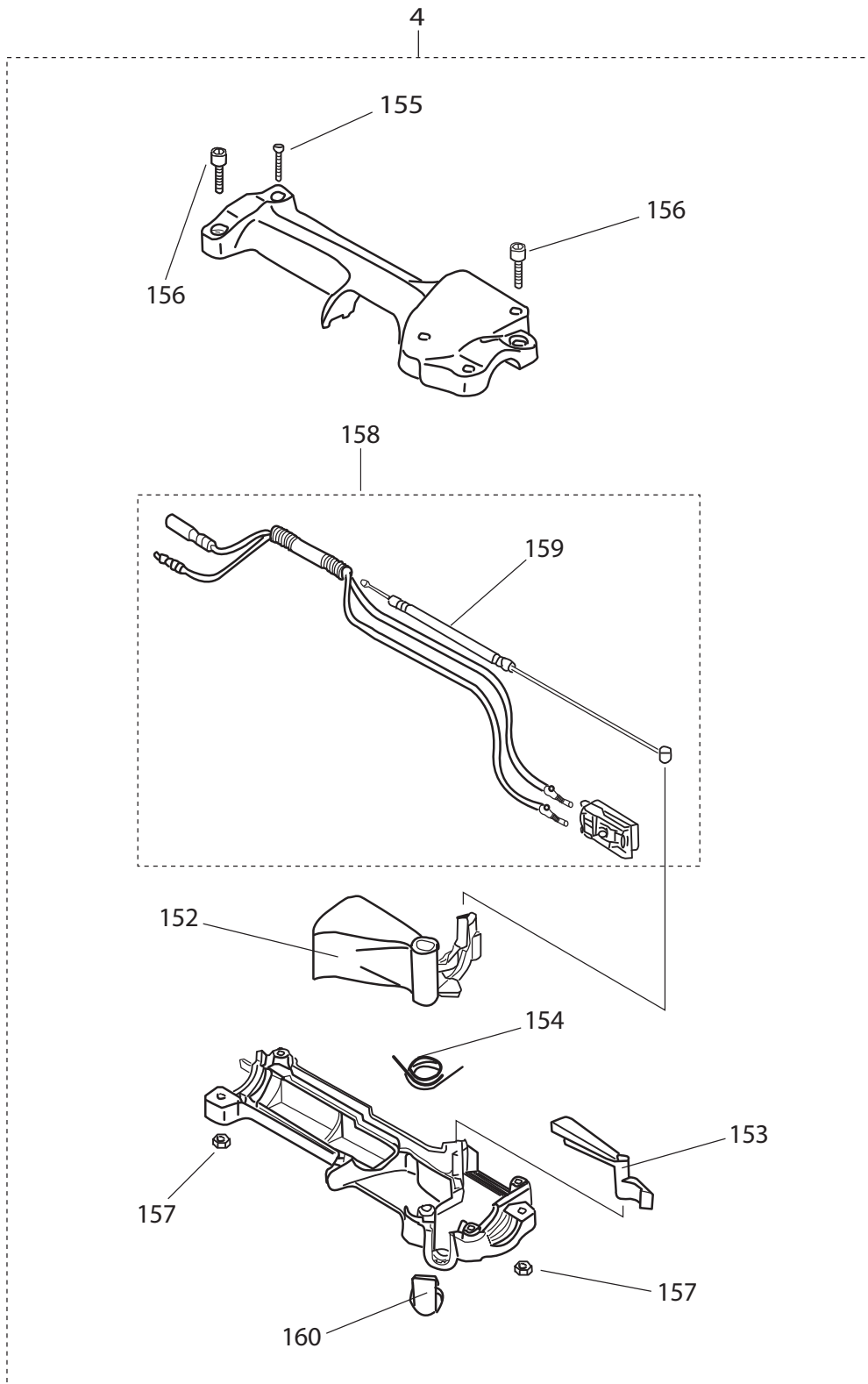


MS-22 C

DOLMAR



Page	Pos.	MS-20 C	MS-22 C	Part No.	Notes	Description	Specifications
5	99		1	374 603 600		CARBURETOR	INC. 100-127
5	100		1	374 601 924		ADJUST SCREW	
5	101		2	374 601 931		SCREW	
5	102		1	374 601 945		LEVER END	
5	103		1	374 601 946		WASHER	
5	104		1	374 603 601		STARTER LEVER	
5	105		1	374 603 602		STARTER SPRING	
5	106		1	374 601 925		SLOW STOP SCREW	
5	107		1	374 601 951		E-RING	
5	108		1	374 601 922		O-RING	
5	109		1	374 601 915		O-RING	
5	110		1	381 603 201		MAIN JET	
5	111		1	374 601 941		O-RING	
5	112		1	374 601 936		CHECK VALVE ASSY	
5	113		1	374 601 942		GUIDE PLATE	
5	114		1	374 601 943		SCREW	
5	115		1	374 601 904		DIAPHRAGM ASSY	
5	116		1	374 601 905		DIAPHRAGM COVER	
5	117		2	374 601 906		SCREW	
5	118		1	374 601 911		PUMP PACKING	
5	119		1	374 601 912		PUMP DIAPHRAGM	
5	120		1	374 601 935		PUMP PLATE	
5	121		1	374 601 933		FILTER	
5	122		1	374 601 913		PUMP PACKING	
5	123		1	374 601 934		PUMP COVER	
5	124		1	374 600 903		COMBINATION VALVE	
5	125		1	374 600 904		PRIMING PUMP	
5	126		1	374 601 932		PRIMING PUMP PLATE	
5	127		4	374 601 914		SCREW	
5	128		1	374 301 704		O-RING	
5	129		1	374 301 801		PLATE,AIR CLEANER ASSY	
5	130		2	381 310 560		PAN HEAD SCREW	M5X60
5	131		1	374 301 703		ELEMENT,AIR	CLEANER
5	132		1	374 301 802		CASE,AIR CLEANER	
5	133		1	381 005 948		SCREW ASS'Y	M5X14



MS-22 C

DOLMAR



Page	Pos.	MS-20 C	MS-22 C	Part No.	Notes	Description	Specifications
6	4		1	374 502 100		CONTROL LEVER ASS'Y	INC. 152-160
6	152		1	374 500 603		LEVER	
6	153		1	367 502 306		LEVER	
6	154		1	367 500 605		SPRING	
6	155		4	367 500 606		TAPPING SCREW	M4X20
6	156		2	374 905 972		SOCKET HEAD BOLT	M5X20
6	157		2	374 501 116		NUT	
6	158		1	374 502 101		WIRE SET	INC. 159
6	159		1	374 502 102		CONTROL CABLE	
6	160		1	381 500 615		TOP	
6	*A01		1	381 900 600	STANDARD EQUIPMENT	TOOL KIT	INC. A04
6	*A01		1	374 700 300	STANDARD EQUIPMENT	BAND ASS'Y	
4	401	1	1	381 224 267	STANDARD EQUIPMENT	NYLON CUTTING HEAD (BUMP& FEED)	BF4L
6	*A04		1	374 704 999	STANDARD EQUIPMENT	HEX. WRENCH	
4	161		1	381 500 900	Y-04518	STARTER ASSY.. CPL. INCLUDES 62-66	
	* NO PICT.						

MS-20 C	1	Pipe, handle, protector, carburetor, air cleaner
	2	Engine, starter, clutch, fuel tank, accessories
MS-22 C	3	Pipe, handle, protector, bevel gear
	4	Engine, starter, clutch, fuel tank
	5	Carburetor, air cleaner
	6	Control lever, accessories

	Key to symbols
⇒ 1999999 2000000 ⇒ 2003.04 ⇒ TI 2003/07 Acc. = { m Corr.	Production to serial number New part from serial number New part from Year / Month See Technical Information Year / No. Accessories (not included in the delivery inventory) No standard execution, may be used Contains item number Sold by the meter Error correction
	Specifications subject to change without notice

Free Manuals Download Website

<http://myh66.com>

<http://usermanuals.us>

<http://www.somanuals.com>

<http://www.4manuals.cc>

<http://www.manual-lib.com>

<http://www.404manual.com>

<http://www.luxmanual.com>

<http://aubethermostatmanual.com>

Golf course search by state

<http://golfingnear.com>

Email search by domain

<http://emailbydomain.com>

Auto manuals search

<http://auto.somanuals.com>

TV manuals search

<http://tv.somanuals.com>