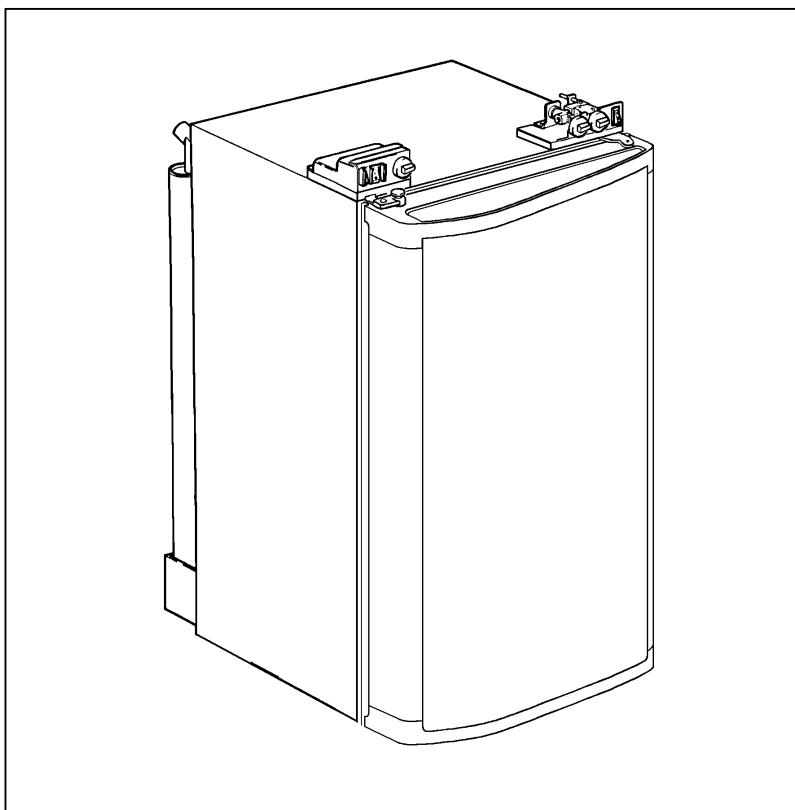


**BEDIENUNGSANLEITUNG**  
EINBAUANLEITUNG

**ABSORBER - KÜHLSCHRANK**  
für CARAVAN und REISEMOBIL

**RM 4361DM**  
**RM 4361NDM**



**Deutsch**    Seite 2

**English**    page 8

**MANUAL**    **ABSORPTION REFRIGERATOR**  
for CARAVAN and MOTORHOME

## INTRODUCTION

We are pleased that you have chosen this refrigerator and hope you will derive much satisfaction from using it, but first a few well-meant words of advice:

It is important to read through these instructions carefully before using the refrigerator.

To ensure good refrigeration and economical operation, the refrigerator must be installed and used as described in these instructions.

The refrigerator is designed for building-in to leisure vehicles such as caravans or motorhomes.

The appliance is certified according to the EU-Gas-Directive 90/396/EEC.

## TRANSIT DAMAGE

Inspect the refrigerator for damage. Transit damage must be reported to whoever is responsible for delivery not later than seven days after the refrigerator was delivered.

## DATA PLATE

Check the data plate, inside the refrigerator, to ensure that you have received the right model. The data plate contains informations about the right AC voltage and gas pressure.

The data plate contains e. g. the following details:

Model designation RM 4361DM / RM 4361NDM

Product number \_\_\_\_\_

Serial number \_\_\_\_\_

Since these details will be needed if you have to contact service personnel, it is a good idea to make a note of them here.

## CONTENTS

OPERATING INSTRUCTIONS	9
CONTROLS	9
STARTING THE REFRIGERATOR	9
WINTER OPERATION	9
REGULATING THE TEMPERATURE	9
TRAVEL CATCH	10
FOOD STORAGE	10
ICE-MAKING	10
DEFROSTING	10
CLEANING THE REFRIGERATOR	10
TURNING OFF THE REFRIGERATOR	10
IF THE `FRIDGE FAILS TO WORK	10
MAINTENANCE	11
SOME USEFUL HINTS	11
GUARANTEE AND SERVICE	11
LP GAS CONNECTION	11
TECHNICAL DATA	11
ELECTRICAL CONNECTION	12
DECLARATION	13

**These operating instructions should be kept in a safe place.**

**If this device is passed on, please include these operating instructions with it.**

# OPERATING INSTRUCTIONS

## CONTROLS

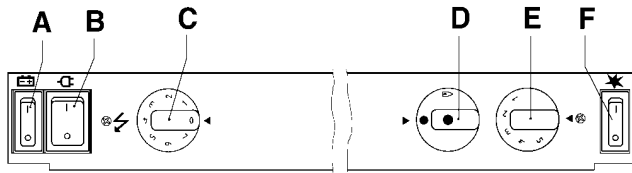


FIG.1

The refrigerator can be run on either 230 V, 12 V or LP gas. Changing between these modes of operation is carried out by means of the controls of the control panel shown in fig 1.

Two rocker switches are used to select the electric power supply, one for 230 V (B) and one for 12 V (A).

Refrigerator temperature is controlled by a thermostat (C) when the unit runs on 230 V. The gas supply is turned on/off by means of the knob (D). When lighting the gas, one must press in the knob as explained further on.

Refrigerator temperature is controlled by a thermostat (E) when the refrigerator runs on LP gas. Please note that the thermostat has no "off" position.

In model RM 4361MD, the gas flame is electronically lit, monitored and relit if necessary. For this the toggle switch (F) should be "on" during gas operation. An indicator lamp in the switch flashes when the automatic igniter attempts to light the burner. Otherwise this lamp is off.

## STARTING THE REFRIGERATOR

The position numbers refer to fig.1.



### CAUTION!

**Only use one source of energy at a time!**

### LP Gas operation

After initial installation, servicing, or changing gas cylinders etc., the gas pipes may contain some air which should be allowed to escape by briefly turning on the refrigerator or other appliances. This will ensure that the flame lights immediately.

To start gas operation:

1. Open the shut-off valve of the gas bottle (check that there is enough gas). Open any on-board shut-off valve.
2. Check that the switches for mains and 12 V operation are off.
3. Turn on the gas supply by pressing the (D) knob and turning it to the "big flame" position
4. Set the thermostat knob (E) to the highest setting.
5. Throw on switch (F). A light in the switch should now start to flash, indicating that sparks are being generated at the burner.
6. Press the (D) button. This opens the flame failure device and allows gas to flow to the burner.

7. When the flame lights, the sparking stops automatically and the switch stops flashing.
8. Keep the (D) button pressed for a further 10 to 15 seconds to active the flame failure device, then release it.

## 230 V Operation

1. Turn off gas or 12 V operation when applicable.
2. Turn the knob (C) of the thermostat to its highest (coldest) position.
3. Set switch (B) to position I. The switch will light up green when the power supply is connected.

## 12 V Operation

Only operate your refrigerator on 12 V when the engine of the vehicle is running - otherwise your battery will soon be discharged.

1. If applicable, turn off the gas operation.
2. Set the 12 V rocker switch (A) to I. The switch will light up red when the power supply is connected.

## WINTER OPERATION

Please check that the ventilation grilles or the flue outlet are not blocked by snow, leaves etc.

**DOMETIC** ventilation grilles can be fitted with winter covers, to protect the cooling unit against cold air. The covers may be fitted when the outside temperature is below approx. 10°C and should be fitted when the temperature is below the freezing point.

We suggest that you fit the winter covers also in the case that the vehicle is laid up during the winter months.

## REGULATING THE TEMPERATURE

The position number refers to fig. 1.

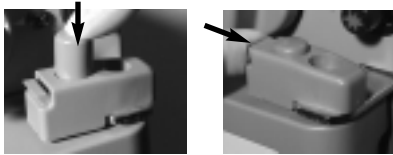
It will take a few hours for the refrigerator to reach normal operating temperature. So we suggest you start it well in advance of a trip and if possible store it with precooled foodstuffs.

On 230 V operation the refrigerator is controlled by a thermostat and the thermostat knob (C) should be set at 3-5. If a lower (colder) temperature is desired, set the thermostat to a higher figure.

On 12 V operation the refrigerator works continuously.

On LP gas operation the refrigerator temperature is regulated by the gas thermostat (E), which should be set at 3-5. If a lower (colder) temperature is desired, set the thermostat to a higher figure.

## TRAVEL CATCH



lock the door      unlock the door

Make sure that the travel catch is engaged when the caravan is on the move.

The travel catch at the top of the door can be set in two different positions. In one position the door is held tightly shut. In the other position the door is secured ajar so that the refrigerator can be aired when not in use.

## FOOD STORAGE

Always keep food in closed containers. Never put hot food in the refrigerator; allow it to cool first.

**Never keep items in the refrigerator which might give off flammable gases.**

The 2-star (\*\*) frozen food compartment is intended for the storage of frozen food and for making ice. It is not suitable for freezing items of food.

Never put bottles or cans of fizzy drinks in the frozen food storage compartment as they may burst when freezing. Also don't give children ice lollies straight from the frozen food as they could cause frost burns.

Most kinds of frozen food can be stored in the frozen food compartment for about a month. This period of time may vary, however, and it is important to follow the instructions on the individual packets.

## ICE MAKING

It is practical to make ice during the night - then the refrigerator is less demanded and the cooling unit has more reserves. Fill the ice tray to just below the brim with drinking water and place it on the freezer shelf.

To speed up the ice making, one can spill one or two spoonfuls of water on the freezer shelf to improve the contact to the ice tray. If you have more than one ice tray it is a good idea to make ice in advance and save the frozen trays in the frozen food compartment.

## DEFROSTING

Frost will gradually accumulate on the refrigerating surfaces. It must not be allowed to grow too thick as it acts as an insulator and adversely affects refrigerator performance.

Check the formation of frost regularly every week and when it gets about 3 mm thick, defrost the refrigerator.

To defrost the `fridge, turn it off and remove the ice tray and all food items. Warning: normally the temperature of items of frozen foods would rise unduly during defrosting and so they should be consumed within 24 h or discarded.

Do not try to accelerate defrosting by using any kind of heating appliance, as this might damage the

plastic surfaces of the refrigerator. Neither should any sharp objects be used to scrape off the ice.

The defrost water runs from a collector channel to a receptacle at the rear of the refrigerator where it evaporates. Defrost water in the freezer compartment should be mopped up with a cloth.

When the ice has melted, wipe the refrigerator dry and restart it. Place the food items back inside but wait until the refrigerator is cold before making ice cubes.

## CLEANING THE REFRIGERATOR

Clean the inside of the refrigerator regularly to keep it fresh and hygienic.

Soak a cloth in a solution consisting of a teaspoon of bicarbonate of soda to half a litre of warm water. Wring out the cloth and use it to clean the interior of the refrigerator and its fittings.

Never use detergents, scouring powder, strongly scented products or wax polish to clean the interior of the refrigerator as they may damage the surfaces and leave a strong odour.

The exterior of the refrigerator should be wiped clean now and again, using a damp cloth and a small quantity of detergent. But not the door gasket, which should only be cleaned with soap and water and then thoroughly dried.

## TURNING OFF THE REFRIGERATOR

If the refrigerator is not to be used for some time:

1. Set any switches to 0.
2. Set the gas valve (D) to ●.
3. Shut off any on-board valve in the gas line to the refrigerator.
4. Empty the refrigerator. Defrost and clean it as described earlier. Leave the doors of the refrigerator and the frozen food compartment ajar. Use the travel catch to hold in this position.
5. When the vehicle is laid up for a long period of time (e.g. during the winter months), we suggest fitting the winter covers onto the vent grills.

## IF THE `FRIDGE FAILS TO WORK

Check the following points before calling a service technician:

1. That the STARTING THE REFRIGERATOR instructions have been followed.
2. The refrigerator is level.
3. If it is possible to start the refrigerator on any of the connected sources of energy.
4. If the refrigerator fails to work on gas, check:
  - That the gas bottle is not empty.
  - That all LP-gas valves are open.
5. If the refrigerator fails to work on 12 V, check:
  - That the 12 V supply is connected to the refrigerator.
  - That the fuse on the 12 V supply is intact.
  - That the 12 V switch is on.

6. If the refrigerator fails to work on 230/ 240 V, check:
  - That the 230 V supply is connected to the refrigerator.
  - That the fuse is intact.

**If the refrigerator is not cold enough it may be because:**

1. The ventilation is inadequate owing to reduced area of the ventilation passages (partial blockage of grilles from wire mesh etc).
2. The evaporator is frosted up.
3. The temperature control setting is incorrect.
4. The gas pressure is incorrect - check the pressure regulator at the gas container.
5. The ambient temperature is too high.
6. Too much food is loaded at one time.
7. The door is not properly closed or the magnetic sealing strip is defective.
8. More than one source of energy is used at the same time. If the refrigerator still does not work properly, call a service technician.



**The sealed cooling system must not be opened, since it contains corroding chemicals under high pressure.**

## MAINTENANCE

Inspect the gas hose periodically for cracks or deep chafing marks. Connections can be tested for leaks using a soap solution. Do not use a naked flame! If there is any suspicion of damage, call for a service technician. The cooling unit behind the refrigerator should be cleaned with a brush from time to time, but make sure that the refrigerator is switched off when doing this. We recommend that a service technician check the refrigerator once a year.

## SOME USEFUL HINTS

Make sure that:

- The refrigerator is not operating on 12 V when the vehicle is parked, otherwise you will drain the car battery in a short time.
- Defrosting is carried out periodically.
- The refrigerator is left with the door(s) ajar when it is not to be used for some time.
- Liquids or items with a strong odour are well packaged.
- The ventilation openings are unobstructed.
- The door is secured by means of the travel catch when the caravan is on the move.
- Only one mode of operation at a time is used to run the refrigerator.

## GUARANTEE AND SERVICE

Warranty arrangements are in accordance with EC Directive 44/1999/CE and the normal conditions applicable for the country concerned. For warranty or other servicing, please contact our Dometic Service department. Any damage due to improper use is not covered

by the warranty. The warranty does not cover any modifications to the appliance or the use of non-original Dometic parts; the warranty does not apply if the installation and operating instructions are not adhered to and no liability shall be entertained. Parts can be ordered throughout Europe from our Dometic Service department. Your Service Centre contact numbers are found in the "European Service Network" booklet. When contacting Dometic Service, please state the model and product number, serial number and MLC, if applicable. You will find this information on the data plate inside the refrigerator.

## TECHNICAL DATA

### Overall dimensions, refrigerator

Height	826	mm
Width	486	mm
Depth (incl. cooling unit)		
without door	498	mm
with door	610	mm

### Build-in dimensions

Height	830	mm
Width	490	mm
Depth	510	mm

### Capacity

gross	103	lit.
net	98	lit.
frozen food compt	6,5	lit.

**Weight (without packaging)** 28 kg

### Electrical data

Input	230 V	135 Watt
	12 V	130 Watt

Energy consumption /24 h 2,1 kWh

### LP gas data

Input	252	Watt
Energy consumption /24 h	0,27	kg
Cooling medium Ammonia (R 717)		

## LP GAS CONNECTION

The refrigerator is designed for operation on LP gas of Butane or Propane. The refrigerator is not designed for operation on town gas or natural gas.

The gas installation should only be carried out by a person experienced in gas fitting. It is recommended that the gas pipe feeding the refrigerator is run underneath the caravan and is so arranged that it is possible to turn off the supply to all appliances including the refrigerator

when they are not required. The supply pipe should preferably be of copper. If any other material is used, it must be of a type approved for use with continuously operating bottled-gas appliances, and have threaded compression connections throughout.


### **PUSH-ON CONNECTIONS MUST NOT BE USED**

(We do not recommend the use of "rubber" type flexible tubing for connecting permanently operating appliances of this type in the United Kingdom). All connectors etc. should be of a type specifically desi

gued for the type and diameter of the connection pipe used, and screwed joints should be sealed with a joining compound approved for use with bottled gas. The gas supply pipe should be connected to the gas inlet pipe on the right hand side of the gas control valve by means of a suitable threaded compression coupling. In making the connection to the refrigerator, a union gas cock of an approved type bottled-gas must be incorporated in the supply line in a position which is readily accessible to the user. For eventual servicing purposes, the union should be on the outlet side of the cock and the pipework should be positioned so as not to prevent the refrigerator from being readily withdrawn.

## ELECTRICAL CONNECTION 230VAC

Check that the voltage stated on the data plate is the same as the mains voltage in use (230 V). Plug the 230 V refrigerator power cord into an easily accessible wall socket.

 **Electrical leads must be routed and secured so that they cannot come into contact with hot or sharp parts of the refrigerator.**

## 12 V Supplies

Connect the refrigerator to the vehicle battery by a direct cable. To avoid a voltage drop, the cross sectional area of the connecting cable between battery and refrigerator must be at least 2.5 mm<sup>2</sup> if the distance is less than 9 meters, and at least 4 mm<sup>2</sup> if the distance is more than 9 meters. To ensure satisfactory operation, the positive lead must be fitted with a fuse rated at max. 16 A.

To prevent the refrigerator from draining the battery, make sure that the current supplied to the caravan is cut off when the vehicle engine is not running, for example by fitting an ignition control relay.

Diagramme for the mains installation: FIG.1

Diagramme for the 12 V installation: FIG.2

The notations in the wiring diagramme are:

- A. Electronic igniter/reigniter
- B. Electrode (at burner)
- C. 12 V heating element
- D. Switch for 12 V operation
- E. Switch for reigniter (gas op.)
- F. Electric thermostat
- G. Heating element, 240 V
- H. Switch for 240 V operation
- J. Terminal block
- L. Terminal block

## 12 V supply of reigniter

FIG.2 shows the wiring diagramme of the refrigerator as delivered. The 12 V supply enters at (L). The reigniter (A) is fed via two wires (1) and (2) at terminal block (L).

It is advisable to feed the reigniter and the lighting from a separate 12 V source. To do this: remove the wires (1) and (2) and connect the supply as is shown in FIG.3.

In some executions there is an extra terminal block (J),

of FIG.2. In this case one disconnects the wires as said above but connects the separate supply to (J). The reigniter should not be connected directly to a battery charger but only over a battery.

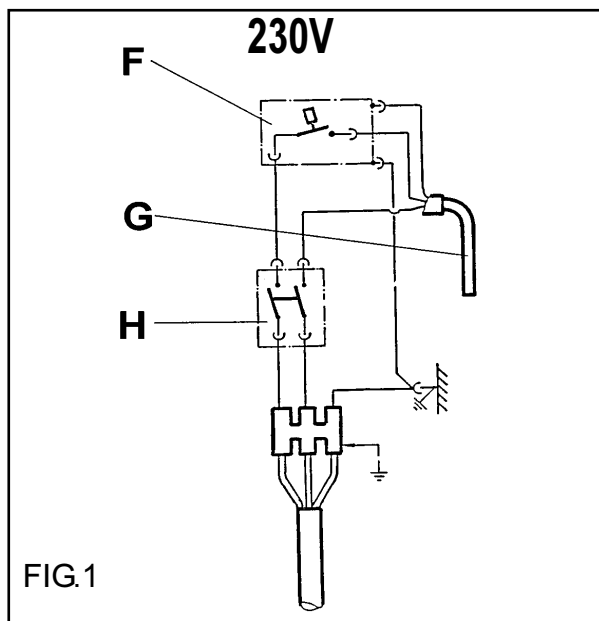


FIG.1

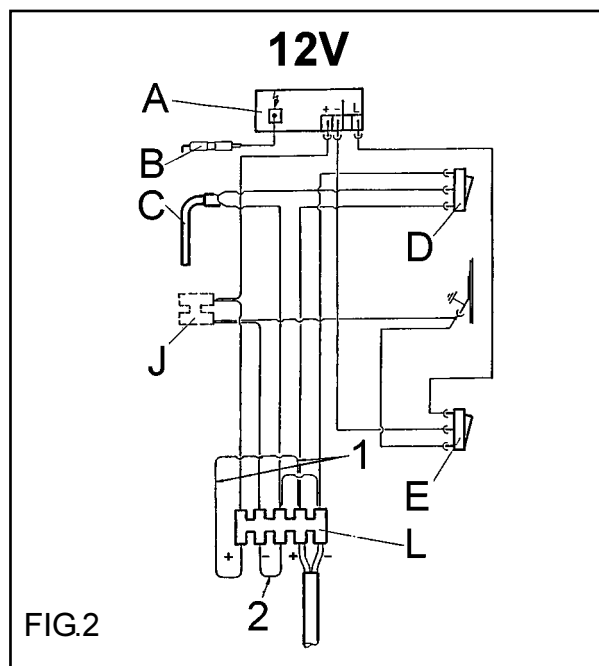


FIG.2

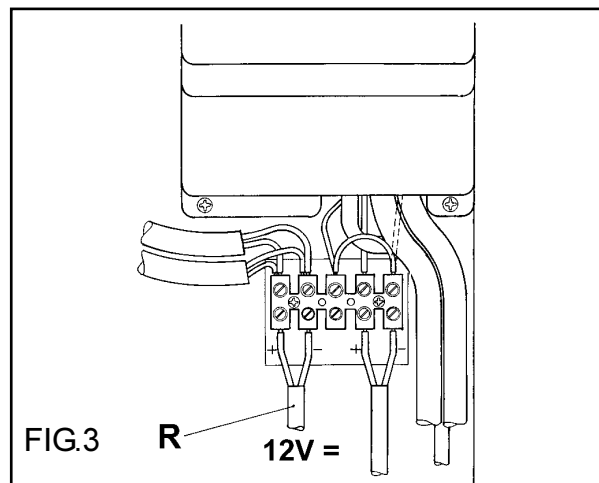


FIG.3

# DECLARATION



## DECLARATION OF CONFORMITY

according to

Low Voltage Directive 73/23/EEC and  
the Amendment to LVD 90/683/EEC  
EMC Directive 89/336/EEC  
Automotive Directive 72/245/EEC and  
the Amendment 95/54/EC  
GAS Directive 90/396/EEC  
CE Marking Directive 93/68/EEC  
End-Of-Life Vehicle Directive 2000/53/EC

<b>Type of equipment</b>	Absorption Refrigerator
<b>Brand Name</b>	DOMETIC
<b>Type family</b>	C 40/110
<b>Manufacturer' s (Factory) name</b>	DOMETIC GmbH
<b>adress</b>	In der Steinwiese 16, D-57074 Siegen
<b>telephone no</b>	INT+49 - 271 692 0
<b>telefax no</b>	INT+49 - 271 692 304

The following harmonized standards or technical specifications (designations) which comply with good engineering practice in safety matters in force within the EEA have been practiced:

EN 60335-1 (IEC 335-1), EN 60335-2-24 (IEC 335-2-24)	Low Voltage Directive
EN 61000-3-2, EN 61000-3-3, EN 55014-1, EN 55014-2	EMC Directive
EN 732, EN 50165, EN 624 (LSC-Models)	GAS Directive

The equipment conforms completely with the above stated harmonized standards or technical specifications.

By signing this document, the undersigned declares as manufacturer, or the manufacturer's authorized representative established within the EEA, that the equipment in question complies with the requirements stated above.

Manufacturer

Date	Signature	Position
2003.09.15	 Gunther Bittner	General Manager



Dometic GmbH  
In der Steinwiese 16  
D-57074 Siegen

[www.dometic.de/caravan](http://www.dometic.de/caravan)  
[www.dometic.com](http://www.dometic.com)

© Dometic GmbH - 2002 - Änderungen vorbehalten - Subject to change without notice



## Free Manuals Download Website

<http://myh66.com>

<http://usermanuals.us>

<http://www.somanuals.com>

<http://www.4manuals.cc>

<http://www.manual-lib.com>

<http://www.404manual.com>

<http://www.luxmanual.com>

<http://aubethermostatmanual.com>

Golf course search by state

<http://golfingnear.com>

Email search by domain

<http://emailbydomain.com>

Auto manuals search

<http://auto.somanuals.com>

TV manuals search

<http://tv.somanuals.com>