

FSL Flatscreen Lift

Electrically Operated
Flat Panel Lift

by **DRAPER**

Specifications—FSL Flatscreen Lift

_____ FSL Flatscreen Lifts, model (FSL-F-42/FSL-F-50/FSL-F-65). Flatscreen Lift for installation on a 3/4" thick back panel, such as plywood, MDF or other stable material. Lift shall utilize a universal mounting option and easy "drop-in" installation into cabinetry or furniture. Secondary shelf beneath the display to facilitate attachment of a matching trim piece to fill most of the opening left by the open cabinet lid for a clean, finished appearance when raised.

24V DC motor shall have operating noise level of approximately 63 dB (when not installed in furniture) and shall stop automatically if motor current is overloaded. Lift shall automatically switch to "creep" mode as it approaches "up" and "down" limits to prevent vibration of display during operation. Limits can be adjusted to stop at any intermediate point for "up" and "down" positions. Power Surge Line Overload Protection provided to protect flatscreen display from power surges.

Extended height of lift approximately 2.5 times stored height of flatscreen. Patented (U.S. Patent No. 7,128,003). Other Patents Pending.

Downloadable 3-part specifications available at www.draperinc.com.

Dimensions and Data

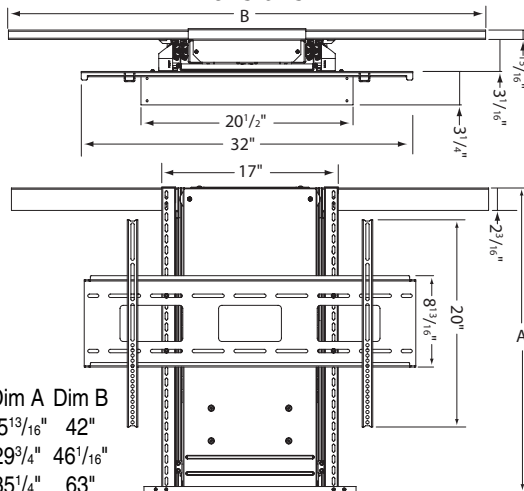
Model	FSL-F-42	FSL-F-50	FSL-F-65
TV Size	Up to 42"	Up to 50"	Up to 65"
Maximum TV Height*	24 ¹³ / ₁₆ "	28 ³ / ₄ "	34 ¹ / ₄ "
Lift Height	25 ¹³ / ₁₆ "	29 ³ / ₄ "	35 ¹ / ₄ "
Lift Width	17"	17"	17"
Lift Depth without Brackets	3 ¹ / ₁₆ "	3 ¹ / ₁₆ "	3 ¹ / ₁₆ "
TV Bracket Depth	1"	1"	1"
Lift Depth with Brackets**	4 ¹ / ₁₆ "	4 ¹ / ₁₆ "	4 ¹ / ₁₆ "
Lift Height at Max. Ext.	59 ¹ / ₄ "	73 ¹ / ₂ "	83 ⁵ / ₈ "
Extension	33 ⁷ / ₁₆ "	43 ³ / ₄ "	48 ³ / ₈ "
Extension Time	25 sec.	33 sec.	36 sec.
Max. Weight Capacity	210 lb	210 lb	210 lb
Lift Net Weight***	67 lb	75 lb	84 lb

*If using secondary shelf, and TV height is a concern, contact Draper for recommendations.

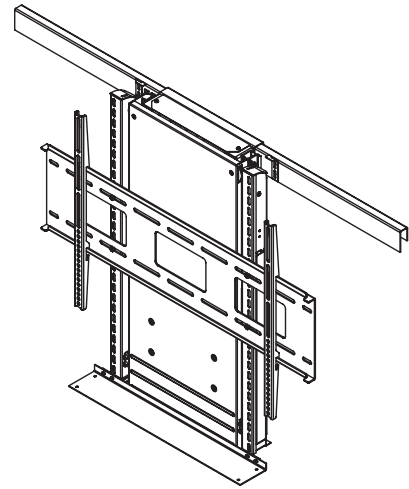
**Back-panel to back of TV.

***Not including cabinetry or structure provided by others.

Dimensions



Model	Dim A	Dim B
FSL-F-42	25 ¹³ / ₁₆ "	42"
FSL-F-50	29 ³ / ₄ "	46 ¹ / ₁₆ "
FSL-F-65	35 ¹ / ₄ "	63"



Please Mark Appropriate Selections

Select Model :

- FSL-F-42
- FSL-F-50
- FSL-F-65

Optional Accessories:

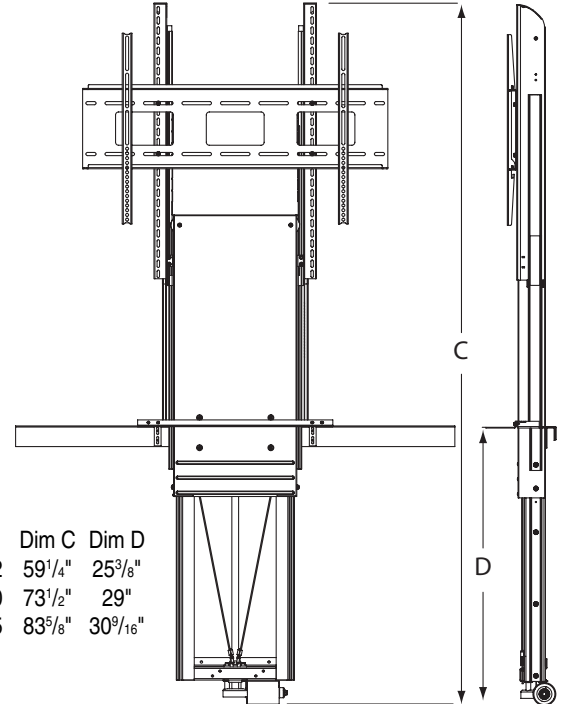
- Cable Management System

Control Options:

Please Note: This product is provided with a controller and Radio Frequency Remote as standard. For optional IR, or RS232 input, please select below.

- Optional Controller with InfraRed Remote and RS232 Input

Dimensions—with Extensions



Model	Dim C	Dim D
FSL-F-42	59 ¹ / ₄ "	25 ³ / ₈ "
FSL-F-50	73 ¹ / ₂ "	29"
FSL-F-65	83 ⁵ / ₈ "	30 ⁹ / ₁₆ "

PROJECT: _____

ARCHITECT: _____

CONTRACTOR: _____

SUPPLIER: _____

DATE: _____ REVISED: _____

DRAPER®

411 S. Pearl St., Spiceland, IN 47385 USA ■ 765-987-7999

www.draperinc.com ■ fax 765-987-7142

Copyright © 2008 Draper Inc.

Form FSL_Sub08

Printed in U.S.A.

Download from www.Somanuals.com. All Manuals Search And Download.

Free Manuals Download Website

<http://myh66.com>

<http://usermanuals.us>

<http://www.somanuals.com>

<http://www.4manuals.cc>

<http://www.manual-lib.com>

<http://www.404manual.com>

<http://www.luxmanual.com>

<http://aubethermostatmanual.com>

Golf course search by state

<http://golfingnear.com>

Email search by domain

<http://emailbydomain.com>

Auto manuals search

<http://auto.somanuals.com>

TV manuals search

<http://tv.somanuals.com>