

220 Volt Installation/Operating Instructions

LCD Lift Video Projector Lift

These Installation/Operating Instructions are available in the official language of the country where you purchase the product. Please contact your distributor to request a copy.

Vous pourriez demander les instructions d'installation et d'opération traduites dans la langue officielle du pays où vous achetez le produit. Veuillez demander à votre distributeur.

Die Gebrauchsanweisung für Installation und Konstruktion sind in der offiziellen Sprache des Landes, indem Sie das Produkt gekauft haben, vorhanden. Fragen Sie die jeweilige Verkaufs-Abteilung.

⚠ Caution

- ① Read instructions completely before proceeding.
- ② Follow instructions carefully. Installation contrary to instructions invalidates warranty.
- ③ Do not obstruct operation of doors or universal (flat) closure with fingers or any object. Serious injury or damage could result.
- ④ It is not uncommon to overheat the motor during initial installation when setting limits. The motor is thermally protected and will stop working temporarily. DO NOT physically pull the unit down when this occurs. Once it has cooled to a safe temperature, it will begin operating again.
- ⑤ LCD Lift is designed to accommodate ceiling suspended equipment. Equipment should not be allowed to rest on doors during operation.
- ⑥ Unit must be installed level (use a carpenter's level).
- ⑦ Perform Pre-Installation Testing Procedures before beginning installation.
- ⑧ Unit operates on 220-240 V AC current.

Note: Unit has been thoroughly inspected and tested at factory and found to be operating properly prior to shipment.

Planning

- ① Based on screen location and projector specifications, determine proper position for projector installation.
- ② Confirm that there is adequate space available above the ceiling: 49 cm for LCD Lift A; 62 cm for LCD Lift B.

NOTE: Add an additional 2 cm of ceiling space if using ceiling closure panel.

- ③ Arrange to provide service access to electrical control box.

As Soon as LCD Lift Arrives:

- ① Open carton and inspect for damage.
- ② Locate the following parts:
 - A. The unit itself
 - B. Bomb bay doors or optional ceiling closure
 - C. Controls
 - D. Optional SMS Low Profile Mount with Universal Bracket
- ③ Follow Pre-Installation Testing Procedure.

Pre-Installation Testing Instructions

This LCD Lift was extensively tested and in perfect condition when it left our plant. To make sure that it arrived in the same condition, please use the following procedure to test the unit prior to installation. Draper does not accept back charges for labor. Make sure that this unit is operating satisfactorily before installation.

Danger! The traveling pan can exert over 30 kg of force. Do not insert any body parts or other objects into this unit while power is connected.

- ① Remove the unit from the outer carton.
- ② Remove the cover of the electrical box.
- ③ Pre-wire supplied controls and make sure the switch is in the off position and plug the unit into a 220V AC outlet. **Caution: Do not touch any exposed wires while the unit is plugged in.**
- ④ Inside the electrical box you will find that a temporary plug has been connected to the terminal board. Extend this plug from the box. Replace the electrical box cover so that the cover is held loosely (so as not to crush the wires) in place.

- ⑤ Use the switch to move the traveling pan up and down. Removal of the access panel will allow the observation of this movement. The unit will stop automatically when it reaches the fully up or fully down position.
- ⑥ Cycle the unit in both directions until you are satisfied the unit is operating properly. If for any reason the unit does not seem to operate properly, call Draper, Inc. 765/987-7999. Do not proceed with installation.
- ⑦ If the unit has been ordered with the remote control option, again verify operation of the unit by use of the hand held transmitter. If for any reason the unit does not seem to operate properly, call Draper, Inc., 765/987-7999. Do not proceed with installation.
- ⑧ If the unit is operating satisfactorily, remove and discard the temporary plug.
- ⑨ Disconnect the switch at the terminal board (terminals #1, #3, and #7). Do not discard this switch. It is to be used as the wall switch.
- ⑩ Replace the cover on the electrical box and proceed with the installation, referring to instructions supplied.

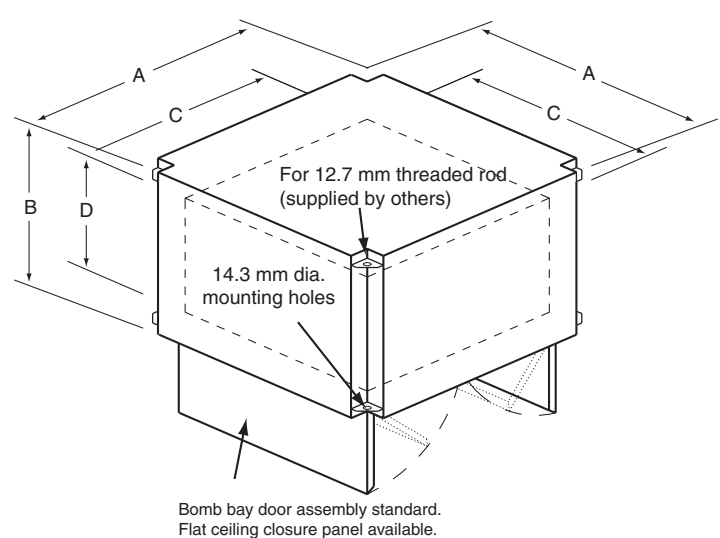
Hanging Unit

The LCD Lift may be installed in a variety of ways. Typically, it is recessed above the ceiling and supported by four ½" (12.7 mm) threaded mounting rods. The bottom of the LCD Lift should be recessed approximately 4 cm above the finished ceiling. The threaded rods should pass through mounting holes supplied in each corner and be secured by nuts above and below (see Fig. 1). The unit should then be guy wired or blocked to prevent swinging. All installations should observe the following guidelines:

- ① Installer must ensure that all fasteners and supports are of adequate strength to securely support LCD Lift and projector.
- ⚠ **Caution: DO NOT hang from, "ride" or pull down on the unit. This could create a failure and cause damage and/or injury.**
- ② Fastening methods must be suitable for mounting surface, and anchored so vibrations or abusive pulling will not weaken installation.
- ③ Unit should be level, with weight shared more or less equally by all four threaded mounting rods.
- ④ Bottom of unit must be unobstructed after installation. 31 cm minimum clearance is required below LCD Lift A; 37 cm below LCD Lift B.

Continued on next page

LCD Lift Dimensions



	A (cm)	B (cm)	C (cm)	D (cm)	Travel (cm)	Lift Capacity
LCD Lift A	60	45	46	28	29	30 kgs
LCD Lift B	73	57	58	41	42	30 kgs

Figure 1

DRAPER

411 S. Pearl St., Spiceland, IN 47385 USA ■ 765-987-7999

www.draperinc.com ■ fax 765-987-1689

Copyright © 2008 Draper Inc. Form LCDLift220V_Inst08 Printed in U.S.A.

If you encounter difficulties installing or servicing your LCD Lift, call your dealer or Draper, Inc., Spiceland, Ind., (765) 987-7999; or fax (765) 987-7142.

- ⑤ Access should be provided to electrical control box in case service is required.
- ⑥ Do not use unit to support adjacent ceiling, light fixtures, etc.
- ⑦ Do not complete the ceiling below unit until electrical connections have been completed and unit has been operated successfully.
- ⑧ We recommend safety cables be attached to LCD Lift for added security.

Electrical Connections

Unit operates on 220-240V AC, 50 Hz. current.

Opening electrical control box exposes terminals for field connections. Unit is shipped with internal wiring complete and control switch(es) boxed. Wire connecting unit to switch(es) and to power supply should be furnished by installer. Connections should be made in accordance with wiring diagram, and wiring should comply with national and local electrical codes. All operating switches should be "off" before power is connected.

LCD Lift should be operated and checked prior to installing bomb bay doors, universal (flat) ceiling closure or projector.

Operation

When unit is first operated, be cautious. If doors or closure panel do not begin to open momentarily when switch is flipped "down", return switch to "off" and free doors and/or recheck electrical connections before proceeding. Cycle unit down and up several times to confirm satisfactory operation.

220 V Single Station Control (CE Approved)—3-position UP-OFF-DOWN switch permits operation to be stopped at any point. Factory set limit switches automatically stop lift when fully down or fully up.

220 V Multiple Station Control (Not CE Approved)—Switches are similar in appearance to Single Station Control. Lift stops when switch is released and may be restarted in either direction. Factory set limit switches stop lift automatically when fully up or fully down.

24 V Control (CE Approved)—Three-button UP-STOP-DOWN switches stop at any point desired, operate in any sequence. Factory set limit switches automatically stop lift when fully up or fully down. Wireless controls—whether infrared or radio frequency—interface with low voltage control box.

Key Operated Switching (Not CE Approved)—Two kinds of key-operated switches are optionally available with this unit.

- ① The key-operated power supply switch controls power to the lift and switches. When it is "off", the switches will not operate lift. Key may be removed from the switch in "on" or "off" position.
- ② A three-position key switch permits the lift to be operated directly by key. In this case, the lift's operator must have a key.

LCD Lift—Required Space Above Ceiling

	LCD Lift A	LCD Lift B
Bomb Bay Closure (cm)	47	60
Universal (Flat) Ceiling Closure (cm)	49	62

Installing Bomb Bay Door Closure

- ① Attach closure to LCD Lift frame with factory supplied hardware. Bomb bay doors should be hanging straight down.
- ② Lower unit until traveling pan is approximately 10 cm above its lowest position.
- ③ Install supplied ball chain to connectors attached to the eye bolts threaded into angles on traveling pan (See Fig. 2).
- ④ Install ball chain to connectors attached to bomb bay doors.
- ⑤ Raise unit to highest position. Doors should close completely.
- ⑥ If the doors do not close completely, lower unit and adjust the eye bolts until doors close completely.
- ⑦ Once "closed" position has been accomplished, lock eye bolts into place with hex jam nuts.
- ⑧ Adjust the LCD Lift to the height of the finished ceiling.

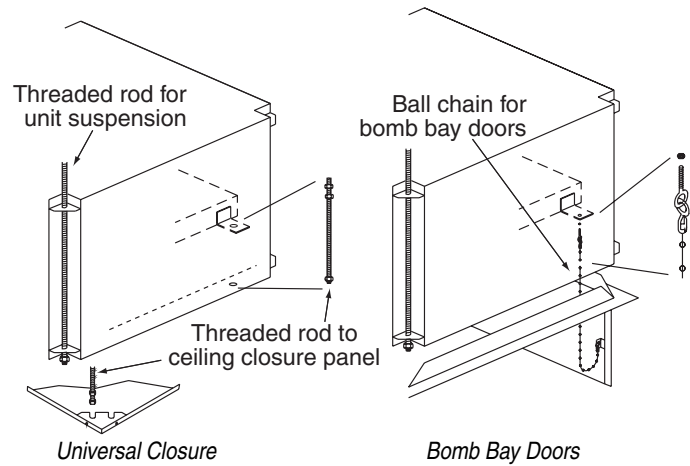


Figure 2

Installing Optional Ceiling Closure

If your LCD Lift is equipped with an optional ceiling closure system, it can be used as is, or in conjunction with a piece of existing ceiling tile.

- ① If installing with ceiling tile, you may need to cut tile so that its overall dimensions are the same as (or slightly less than) the closure panel. Place tile into trim frame. Lay closure panel on top (back side) of ceiling tile, and tighten screws to hold in place.
- ② If installing large closure, attach brackets to bottom of projector plate (see drawing at right).
- ③ Attach 5/16" threaded rods to slots in projector plate or brackets.
- ④ Run unit "up" until bottom pan stops at highest position. Mark position on 5/16" rods even with ceiling level and cut rods to length (removing from pan if convenient).
- ⑤ Run unit "down" until bottom pan stops at "show" position.
- ⑥ Attach closure to lower end of 5/16" rods by slipping into four corner slots and secure with nuts above and below slots.
- ⑦ Run unit "up" again to highest position. Measure distance by which panel fails to reach required "closed" height for surrounding ceiling.
- ⑧ Run unit "down" then re-adjust mounting of 5/16" rods in traveling grid to raise panel required distance.

⚠ Caution: Make sure nuts are completely tightened.

- ⑨ Test unit operation to confirm that panel will stop in closed position just before touching ceiling.

⚠ Caution: DO NOT hang from, "ride" or pull down on the unit. This could create a failure and cause damage and/or injury.

NOTE: Immediately upon completion of the surrounding ceiling, unit should be operated to confirm that optional ceiling closure panel stops just short of touching ceiling in closed position.

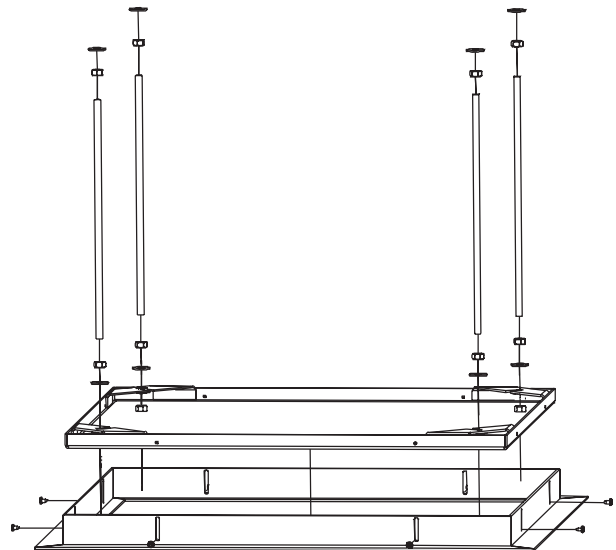


Figure 3

Installing Projector

The video projector should be suspended from the traveling pan according to projector manufacturer's instructions or using optional SMS Low Profile Mount, and using recommended standard ceiling mounting hardware ("Z" brackets are attached to bottom side of traveling pan for easier installation).

If SMS Low Profile is used, remove aluminum adaptor bracket from LCD Lift. Use SMS Low Profile to mark hole locations on aluminum adaptor bracket, drill holes, attach SMS Low Profile Mount, then slide adaptor bracket, with SMS Low Profile Mount attached, back into Z brackets.

NOTE: Draper Inc. provides an optional aluminum adaptor bracket or an optional mount for your projector. Please consult the instruction sheet packed with the adaptor bracket for installation information.

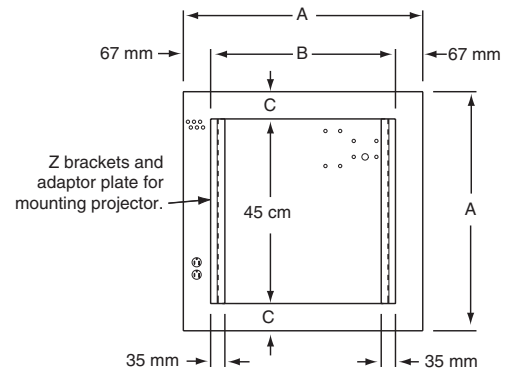
The LCD Lift has a grounded 220-240V AC, 50Hz outlet for projector power supply. Power is supplied to this outlet when unit is in "fully down" position. An AC current sensor has been factory installed and will not allow the projector to rise into the LCD Lift until the projector has been cooled by its ventilation fan(s). When the fan(s) stop operating, the LCD Lift will raise the projector into its stored position.

Knockouts are provided for passage of signal and control cables.

Unit and projection system should be operated, checked and adjusted as necessary at this time.

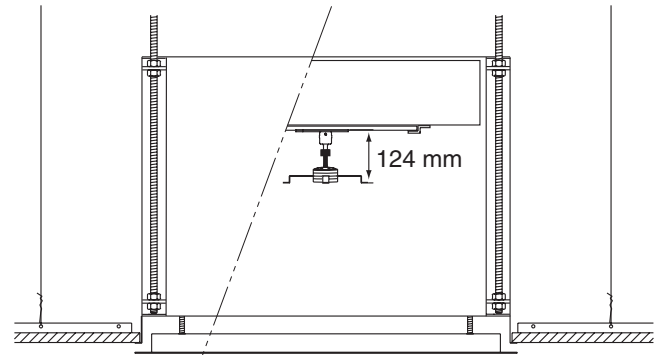
Warning: Keep fingers and other objects away from automatic doors and traveling pan when unit is operating. Serious injury or damage could result.

Dimensions of Traveling Pan

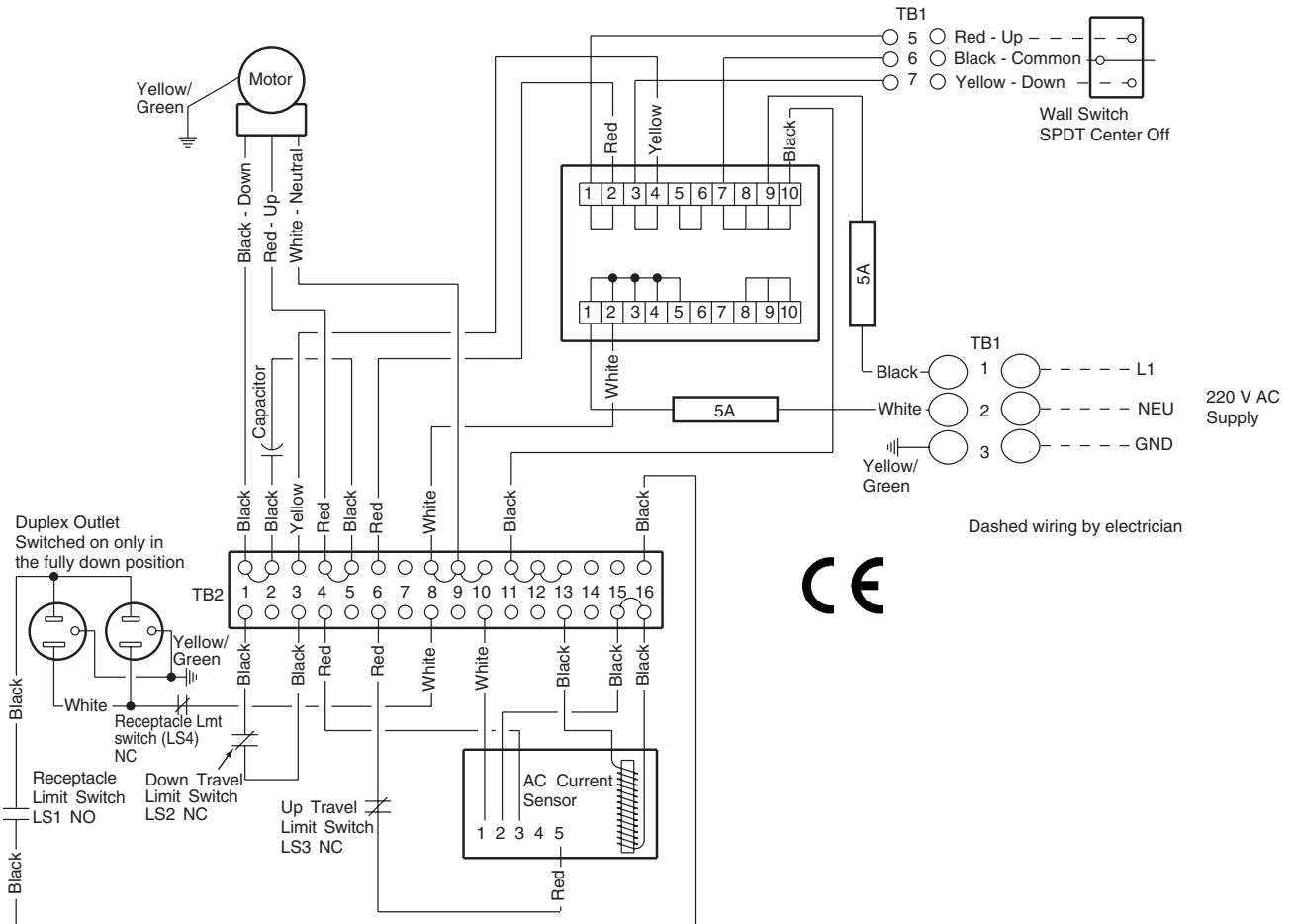


	A	B	C
LCD Lift A	46 cm	32 cm	3 mm
LCD Lift B	58 cm	45 cm	5 cm

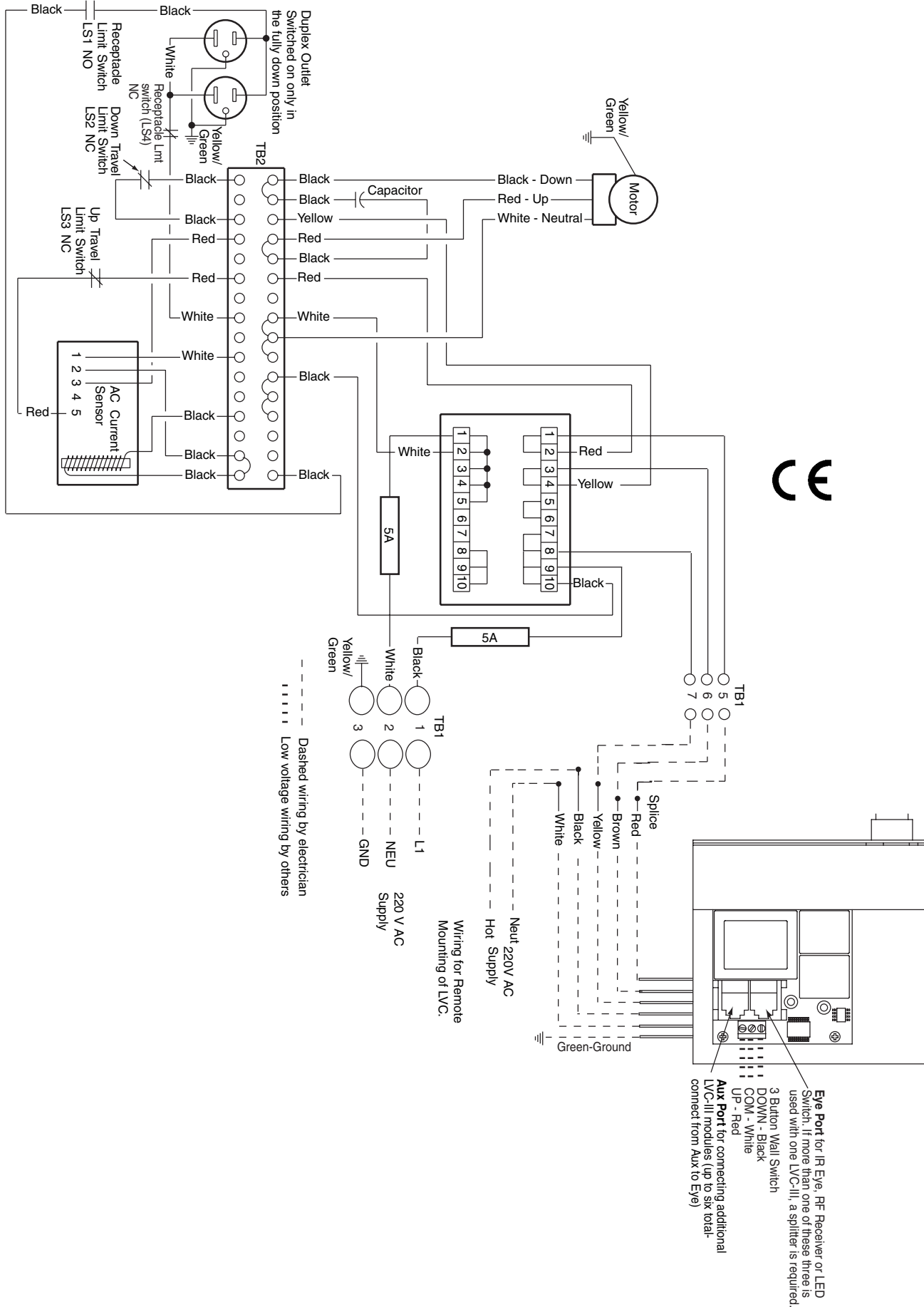
SMS Low Profile with Universal Bracket



Wiring Diagram—Single Station Control



**Wiring Diagram—
IR or RF Remote Control**



Free Manuals Download Website

<http://myh66.com>

<http://usermanuals.us>

<http://www.somanuals.com>

<http://www.4manuals.cc>

<http://www.manual-lib.com>

<http://www.404manual.com>

<http://www.luxmanual.com>

<http://aubethermostatmanual.com>

Golf course search by state

<http://golfingnear.com>

Email search by domain

<http://emailbydomain.com>

Auto manuals search

<http://auto.somanuals.com>

TV manuals search

<http://tv.somanuals.com>