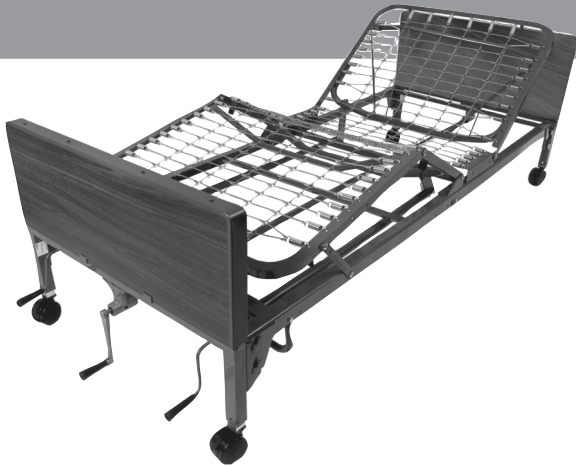


ELECTRIC AND MANUAL BEDS

OWNER'S ASSEMBLY AND OPERATING MANUAL

CAMAS ELÉCTRICAS Y MANUALES
INSTRUCCIONES DE MONTAJE Y MANUAL DE OPERACIÓN

LITS ÉLECTRIQUES ET MANUELS
GUIDE D'ASSEMBLAGE ET D'UTILISATION



15003

Manual Bed Single Crank
Cama Manual Manivela Sencilla
Lit Manuel Manivelle Unique



15004

Semi-Electric Bed Single & Two Crank - Hi/Lo
Cama Semi-Eléctrica Con Una Y Dos
Manivelas – Alto/Bajo
Lit Semi-Électrique Une Et Deux
Manivelles – Hi/Lo



15005

Full Electric Bed
Cama Totalmente Eléctrica
Lit Tout Électrique

drive
MEDICAL DESIGN & MANUFACTURING

SPECIFICATIONS

PACKAGING/HANDLING

UNPACKING

1. Check bed components for any obvious damage to the carton or its contents. If damage is evident, contact your local Drive dealer.
2. Remove any loose packing from the cartons.
3. Carefully remove all components from the cartons.

The three cartons and contents are as follows:

1. Bed End carton:

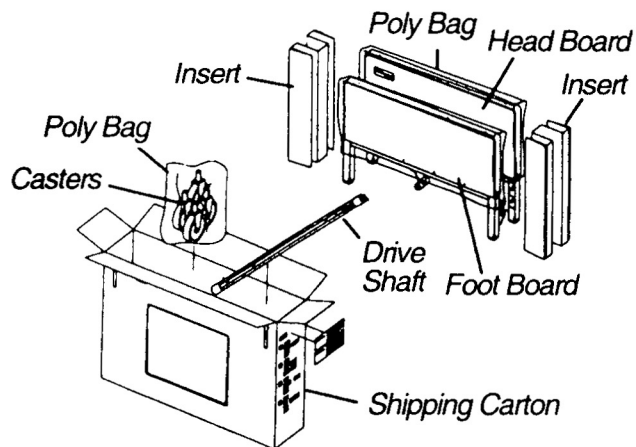
One (1) Head end.

One (1) Foot end (crank assembled on Bed No. 15003)

One (1) Drive Shaft Assembly-two-piece.

- * Four (4) Casters (two [2] locking and two [2] non locking casters).

NOTE: Set the Drive Shaft Assembly aside for Bed Nos. 15003, 15004, 15005



2. Foot Spring carton-Electric models (15012 or 15013):

One (1) Electric foot spring w/junction box and cord.

One (1) Hand pendant control.

One (1) Pendant holder.

One (1) Emergency crank handle.

CAUTION

DO NOT attempt to operate bed controls prior to completion of assembly as damage to bed components or personal injury may occur.

3. Head Spring carton:

One (1) Head spring

INSPECTION

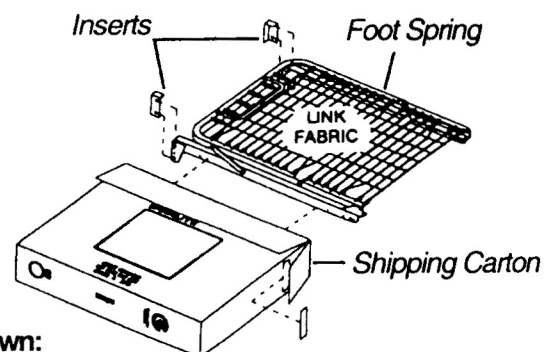
1. Examine each item carefully for scratches, nicks, dents or any other apparent damage.

NOTE: For semi-electric and full-electric beds:

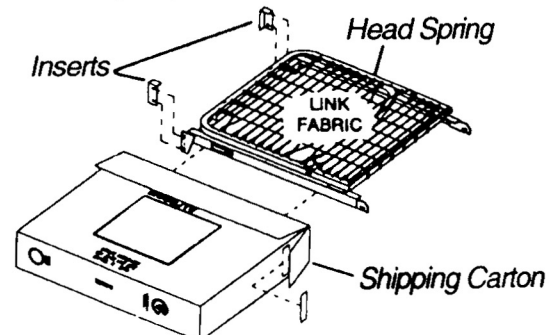
2. Inspect the power supply cord for cuts or damage to the cord and/or plug.
3. Inspect the junction box for any damage to the connectors.
4. Ensure that the motor plugs are in good working order and fit properly into the junction box.

STORAGE

1. If bed is not to be assembled immediately, retain the cartons and packaging for storage until assembly is to be performed.
2. Store the repackaged Drive homecare bed in a dry area.
3. DO NOT place other objects on top of the repackaged cartons.



Not Shown:
Junction Box w/Cord
Pendant and Emergency Crank Handle



ASSEMBLY

CONNECTING THE SPRING SECTIONS (SEMI/FULL ELECTRIC AND MANUAL BEDS) (FIGURE 1)

1. Remove the head spring (Model 15008) from packaged container and place on its side to your left with the center mounting latches to your right.
 2. Remove the foot spring from packaged container and place on its side to your right with the head spring pull tube at the top of the assembly and the center mounting rivets facing to the left.
 3. For semi-electric (15012) and full-electric (15013) foot spring, the motors should be to your right and for manual foot spring(15009) the crank handles will be to your right.
 4. The head and foot spring should now be on their side at approximately a 90° angle to one another.
 5. Hook the bottom head spring center mounting latches to the bottom foot spring center mounting rivets.
 6. Hook the top head spring center mounting latches to the top foot spring center mounting rivets.
- NOTE: It may be necessary to lift slightly on the head spring or foot spring to secure the mounting latches and rivets.*
7. After head and foot springs are connected, push the springs into a horizontal (straight) position while still on their sides.

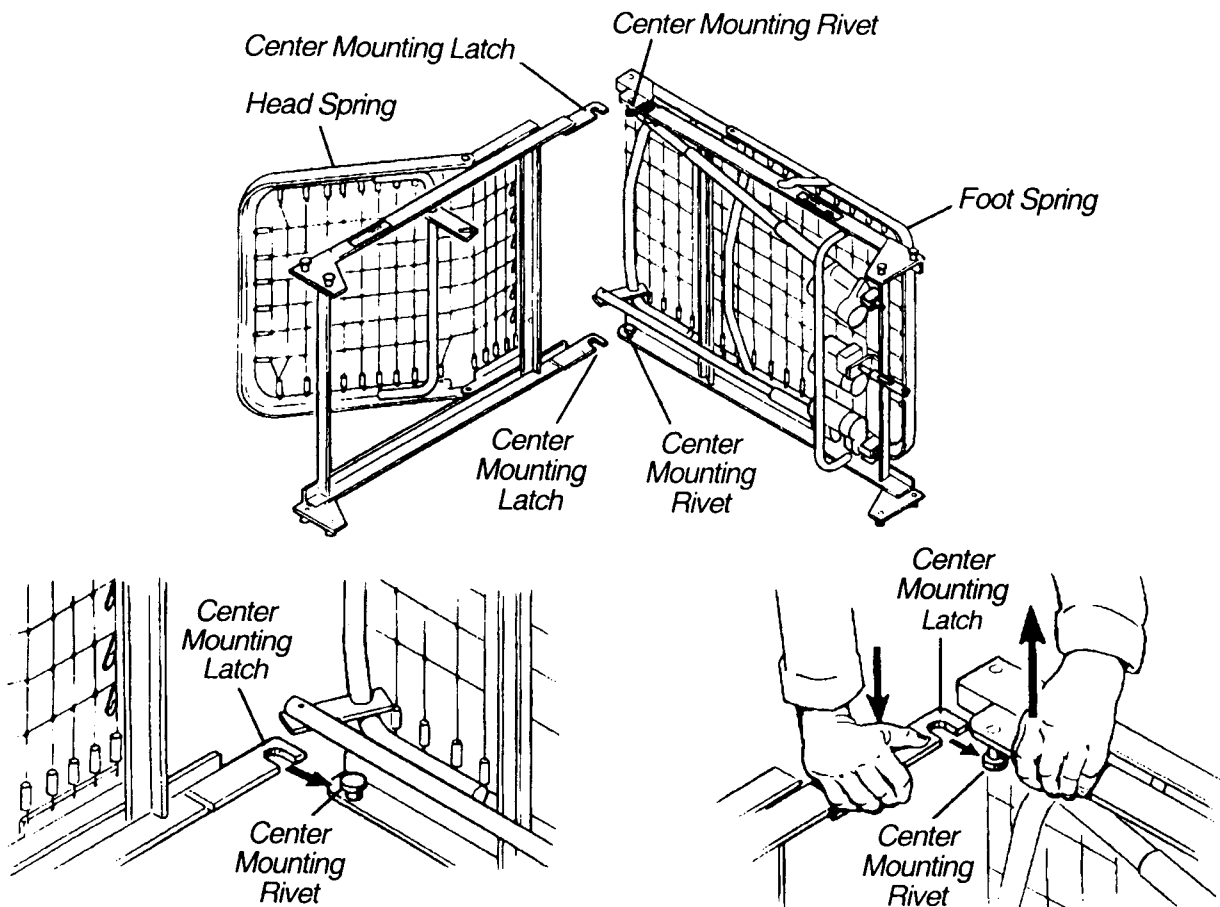


FIGURE 1 - CONNECTING THE SPRING SECTIONS

ASSEMBLY

CONNECTING THE SPRING FABRIC (FIGURE 2)

1. Lift the head spring upward to give slack to the fabric, and connect the spring fabric together with the links provided.

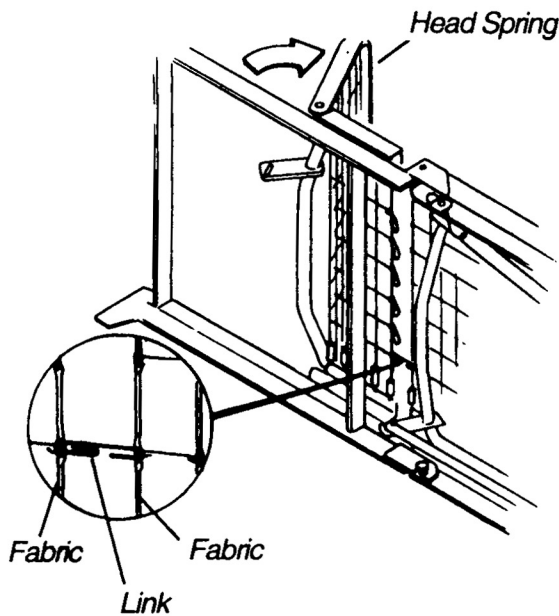


FIGURE 2 - CONNECTING THE SPRING FABRIC

ADJUSTING AND RECONNECTING THE HEAD SPRING PULL TUBE (FIGURE 3)

1. To provide up/down movement of the head section, disconnect the head pull-tube assembly from the side frame of the foot spring by removing the hitch pin, grommet and washer from the clevis pin.
2. Extend the inner pull tube shaft manually until the spring button "clicks" into the adjustment hole of the outer pull tube.
3. The spring button should protrude through the adjustment hole and the clevis pin of the now extended pull tube arm will line up with the lift arm slot.
4. Connect the pull tube end assembly to the lift arm of the head spring by inserting the clevis pin into the lift arm slot; reconnect the grommet and washer. Secure with hitch pin.

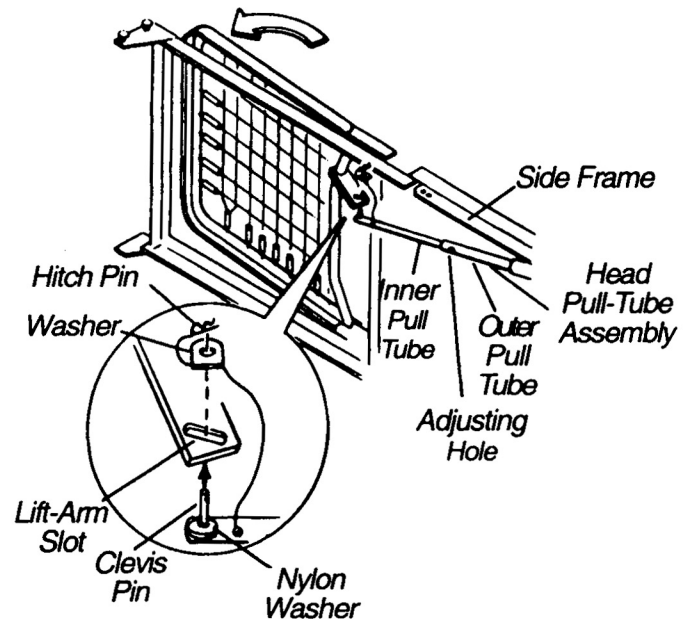


FIGURE 3 - ADJUSTING AND RECONNECTING THE
HEAD SPRING PULL TUBE

ASSEMBLY

ASSEMBLING THE BED ENDS (FIGURE 4)

NOTE: When connecting the bed ends (headboard and footboard), remember that the headboard is the taller of the two.

1. Stand the headboard as close to the head spring as possible.
2. With one hand, grasp the head spring frame and raise it until the rivets on the corner plates of the spring are at the correct height to fit into the corner locks on the headboard.
3. Tilt the headboard backward slightly and the rivets should slide into the corner locks more easily.
4. When the headboard is returned to its full upright position, the headboard will lock into place.
5. Repeat the same procedure for the foot end section.

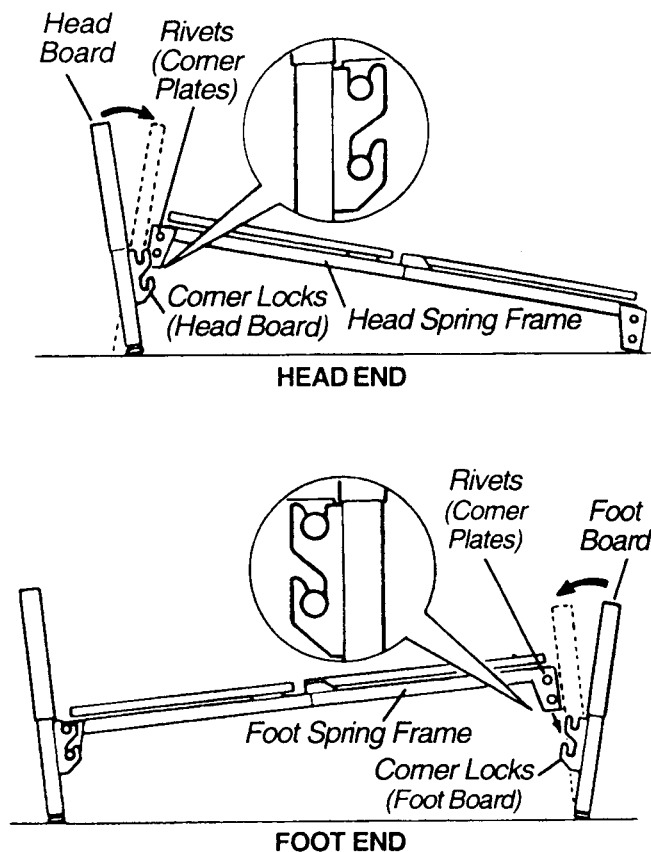


FIGURE 4 - ASSEMBLING THE BED ENDS

ASSEMBLY

INSTALLING THE CASTERS (FIGURE 5)

1. Install casters by carefully lifting the bed ends approximately 5-inches (12.7 cm) from the floor and insert the shaft of caster assembly into the caster socket.

NOTE: Position the two (2) locking casters diagonally opposite from one another.

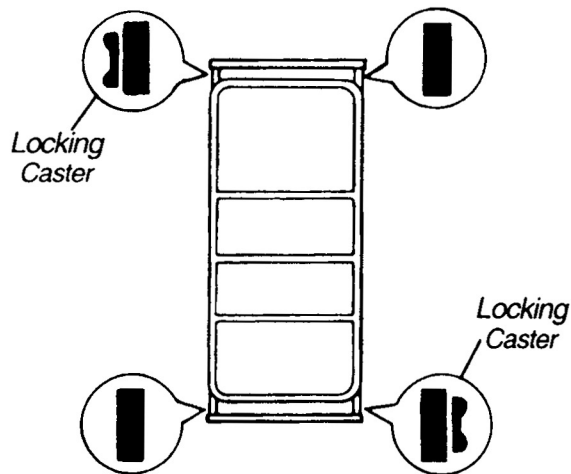
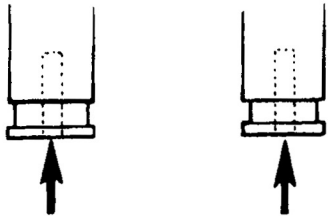


FIGURE 5 - INSTALLING THE CASTERS

DRIVE SHAFT ASSEMBLY AND INSTALLATION (FIGURE 6)

The drive shaft is composed of two (2) sections. The inner shaft which has a positioning spring button, and the outer shaft, which has two (2) positioning holes and one (1) storage position hole. Together they make the telescoping drive shaft used on all manual and electric Hi/Lo model beds.

1. Remove the plastic caps from each end of the drive rod.
2. Depress spring button on the inner shaft and insert the inner shaft into the outer shaft.
3. Slide the inner shaft to the desired position for the type of bed being used and engage the spring button into the proper positioning hole.
4. For semi-electric and manual beds, engage the spring button into the furthestmost positioning hole in outer shaft.
5. For full-electric models, engage the spring button in to the positioning hole in the outer shaft located next to the semi-electric/manual positioning hole.
6. Connect the drive shaft to the bed by attaching either end of the drive shaft to the head end gear box.
7. Connect the other end to the Hi/Lo motor output shaft and then connect the foot end gearbox output shaft to the Hi/Lo motor output shaft spring-loaded coupler.
8. Release the drive shaft spring-loaded coupler by pushing in against the spring-loaded coupler and turn it clockwise.
9. The Hi/Lo motor output shaft spring-loaded coupler must now be released to properly connect with the foot end gear box output shaft.
10. Do this by pushing in against the Hi/Lo motor output shaft spring-loaded coupler and turn it clockwise.
11. The coupling will release and engage the foot end output shaft.
12. Ensure that all components are securely installed.

ASSEMBLY

NOTE: Since there is no Hi/Lo motor for semi-electric Single Crank, Two Crank and manual beds with Hi/Lo functions, the drive shaft will mount directly into the foot end gearbox output shaft.

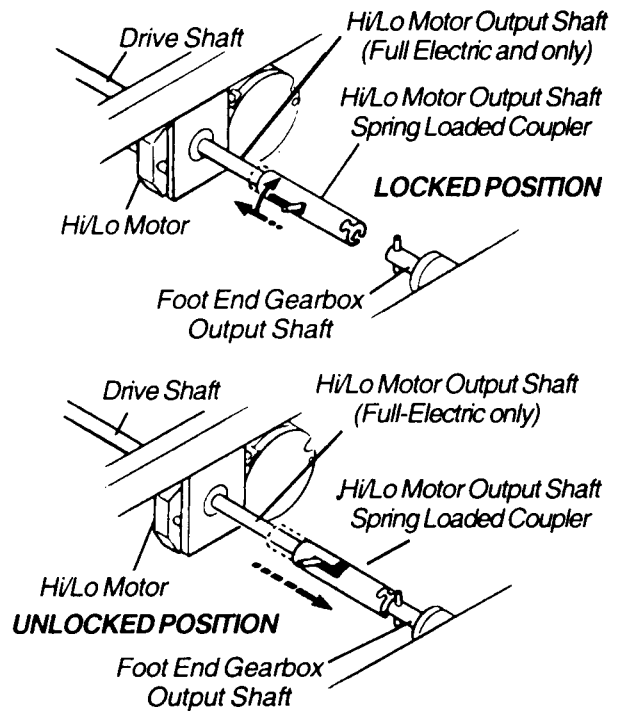
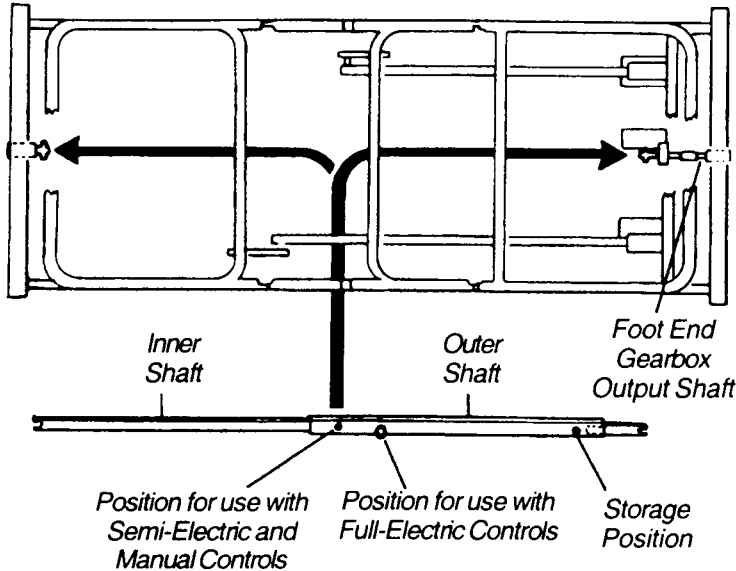


FIGURE 6 - DRIVE SHAFT ASSEMBLY AND INSTALLATION

ACTIVATING THE BED FUNCTIONS (FULL/SEMI ELECTRIC BEDS ONLY) (FIGURE 7)

1. Recheck all electrical connections on junction box at foot end ensuring that all motors are plugged into the correct locations.
2. Plug the junction box cord into a properly grounded 110-volt, 60 cycle outlet.
3. Install pendant holder in convenient place for user.

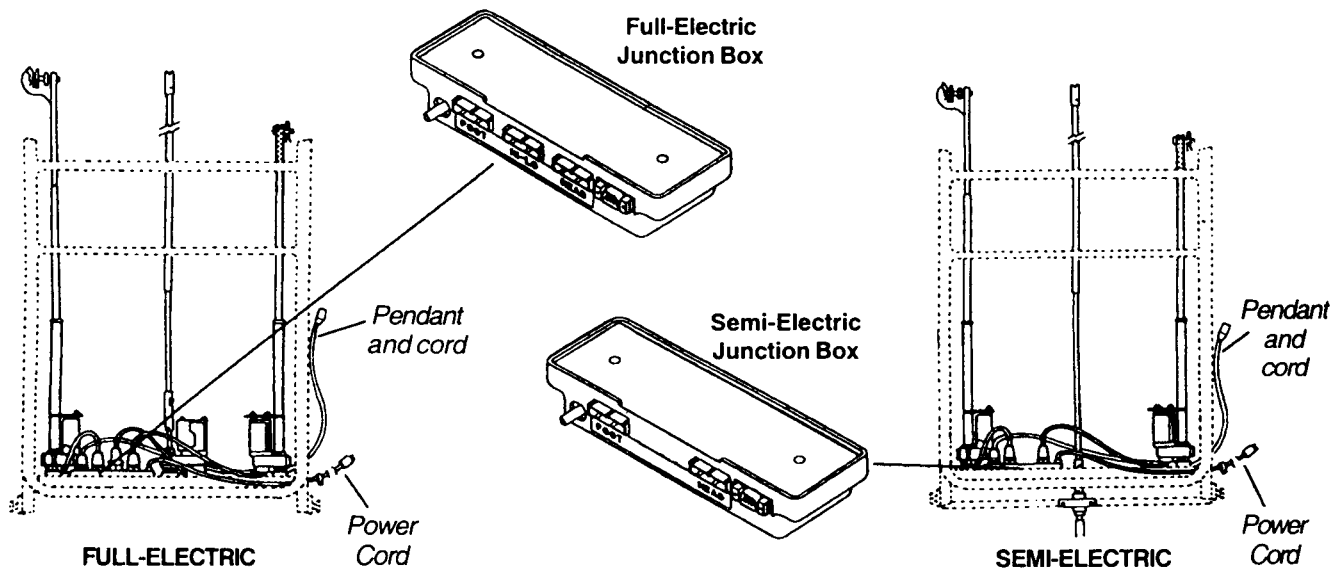


FIGURE 7 - ACTIVATING THE BED FUNCTIONS (FULL/SEMI ELECTRIC BEDS ONLY)

OPERATION AND ADJUSTMENT

This Procedure Includes the following:

Full Electric Operation

Semi-Electric Operation

Manual Bed Operation

FULL-ELECTRIC OPERATION

1. The accompanying pictures detail the full-electric beds and will acquaint the user with the bed functions and controls.
2. Operate the bed through all phases of its operation.
3. If any problems arise during test, recheck all electrical connections and mechanical hook ups.
4. Full-Electric beds use a six (6) function pendant for all bed operation.
5. All Full-Electric beds come with an emergency crank to allow continued operation in the event of a power outage.

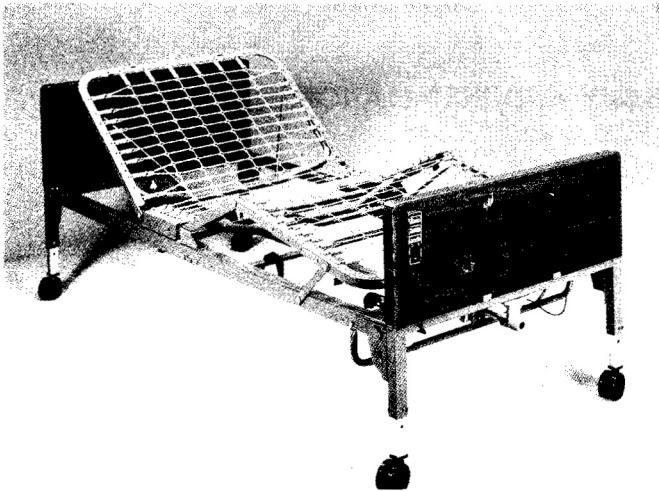
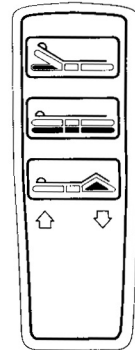


FIGURE 1 - FULL-ELECTRIC BED

Raising and Lowering the Entire Bed (Full-Electric Beds [FIGURE 2])

TO RAISE ENTIRE BED - FULL ELECTRIC BEDS

Depress button "BED" "UP" as shown on pendant control. This will raise the entire height of the bed.



TO LOWER ENTIRE BED - FULL ELECTRIC BEDS

Depress button "BED" "DOWN" as shown on pendant control. This will lower the entire height of the bed.

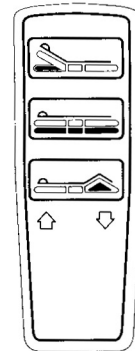


FIGURE 2 - RAISING AND LOWERING THE ENTIRE BED (FULL-ELECTRIC BEDS)

OPERATION AND ADJUSTMENT

Raising and Lowering the Head and Foot Sections (Full-Electric Beds [FIGURE 3])

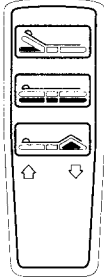
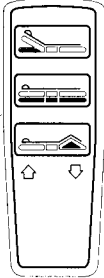
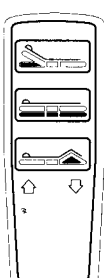
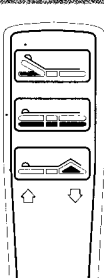
| | |
|--|---|
| <p>TO RAISE THE HEAD SPRING SECTION FULL ELECTRIC BEDS</p> |  |
| <p>Depress button "HEAD DOWN" as shown on pendant control. This will lower the head portion of the bed ONLY.</p> | |
| <p>TO LOWER THE HEAD SPRING SECTION FULL ELECTRIC BEDS</p> |  |
| <p>Depress button "HEAD DOWN" as shown on pendant control. This will lower the head portion of the bed ONLY.</p> | |
| <p>TO RAISE THE FOOT SPRING SECTION FULL ELECTRIC BEDS</p> |  |
| <p>Depress button "FOOT UP" as shown on pendant control. This will raise the foot portion of the bed ONLY.</p> | |
| <p>TO LOWER THE FOOT SPRING SECTION FULL ELECTRIC BEDS</p> |  |
| <p>Depress button "FOOT DOWN" as shown on pendant control. This will lower the foot portion of the bed ONLY.</p> | |

FIGURE 3 - RAISING AND LOWERING THE HEAD AND FOOT SECTIONS (FULL-ELECTRIC BEDS)

SEMI-ELECTRIC OPERATION

1. The accompanying pictures detail the semi-electric beds with the hi/lo and foot crank locations where applicable.
2. The semi-electric Single and Two Crank beds with Hi/Lo operation use a four (4) function pendant for head and footspring functions and a hand crank for hi/lo bed operation.
3. The semi-electric fixed height beds will feature head and foot section operation but the overall bed height is fixed and cannot be altered.
4. Determine your particular semi-electric bed to assist in the operation of the features of the bed.
5. Operate the bed through all phases of its operation.
6. If any problems arise during test, recheck all electrical connections and mechanical hook ups.
7. All semi-electric beds come with an emergency crank to allow continued operation in the event of a power outage.

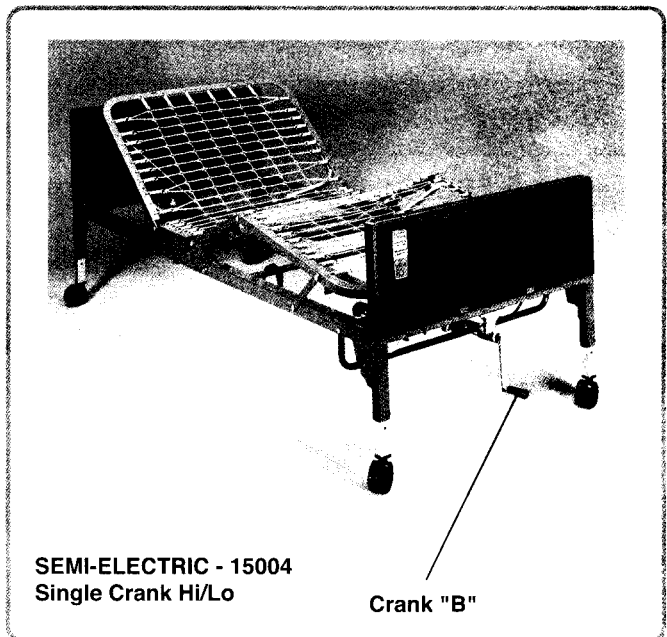


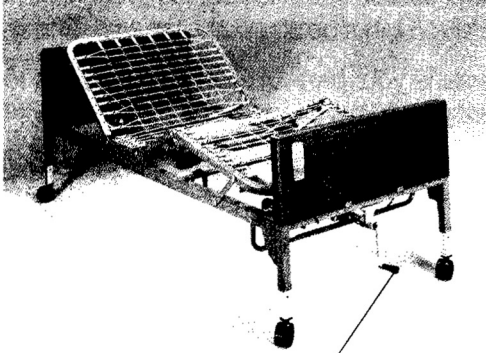
FIGURE 4 - SEMI-ELECTRIC OPERATION

OPERATION AND ADJUSTMENT

Raising and Lowering the Entire Bed (Semi-Electric Beds [FIGURE 5])

TO RAISE ENTIRE BED-SEMI-ELECTRIC BEDS

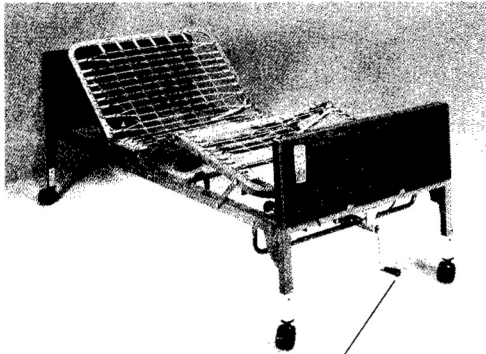
SEMI-ELECTRIC SINGLE CRANK-HI/LO:
Turn crank "B" clock wise. This will raise the entire height of the bed.



Crank "B"

TO LOWER ENTIRE BED - SEMI-ELECTRIC BEDS

SEMI-ELECTRIC SINGLE CRANK-HI/LO:
Turn crank "B" counter clockwise. This will lower the entire height of the bed.



Crank "B"

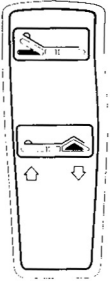
FIGURE 5 - RAISING AND LOWERING THE ENTIRE BED (SEMI-ELECTRIC BEDS)

Raising and Lowering the Head and Foot Sections (Semi-Electric Beds [FIGURE 6])

TO RAISE HEAD SPRING SECTION - SEMI-ELECTRIC BEDS

SEMI-ELECTRIC SINGLE CRANK -HI/LO:

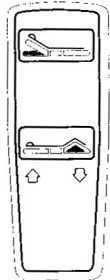
Depress button "HEAD UP" as shown on pendant control. This will raise the head portion of the bed ONLY.



TO LOWER HEAD SPRING SECTION - SEMI-ELECTRIC BEDS

SEMI-ELECTRIC SINGLE CRANK -HI/LO:

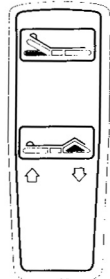
Depress button "HEAD DOWN" as shown on pendant control. This will lower the head portion of the bed ONLY.



TO RAISE FOOT SPRING SECTION - SEMI-ELECTRIC BEDS

SEMI-ELECTRIC SINGLE CRANK -HI/LO:

Depress button "FOOT UP" as shown on pendant control. This will raise the foot portion of the bed ONLY.



TO LOWER FOOT SPRING SECTION - SEMI-ELECTRIC BEDS

SEMI-ELECTRIC SINGLE CRANK -HI/LO:

Depress button "FOOT DOWN" as shown on pendant control. This will lower the foot portion of the bed ONLY.

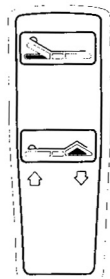


FIGURE 6 - RAISING AND LOWERING THE HEAD AND FOOT SECTIONS(SEMI-ELECTRIC SINGLE AND TWO CRANK HI/LO BEDS)

NOTE: Remember that in the event a full or semi-electric bed should malfunction, it is possible to manually crank the bed using the emergency crank supplied.

OPERATION AND ADJUSTMENT

MANUAL BED OPERATION (FIGURE 7)

1. The accompanying pictures detail the manual bed models and the hi/lo crank locations where applicable.
2. Determine your particular manual bed to assist in the operation of the features of the bed.
3. Operate the bed through all phases of its operation.
4. If any problems arise during test, recheck all mechanical hook ups.

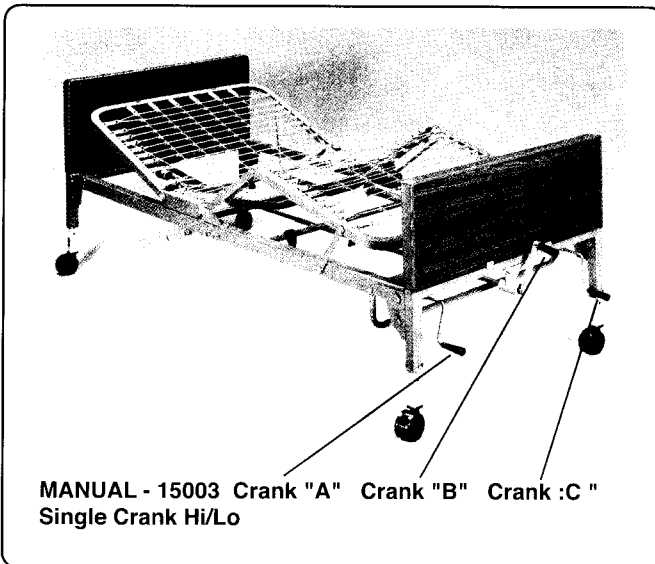
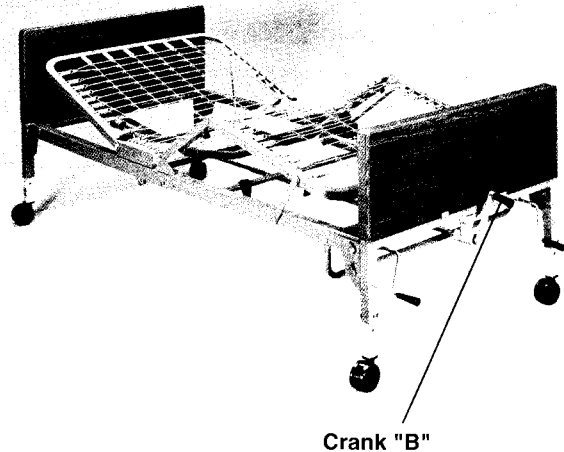


FIGURE 7 - MANUAL BED OPERATION

Raising and Lowering the Entire Bed (Manual Beds [FIGURE 8])

TO RAISE ENTIRE BED - MANUAL BEDS

MANUAL SINGLE CRANK-HI/LO:
Turn crank "B" clockwise. This will raise the entire height of the bed.



TO LOWER ENTIRE BED - MANUAL BEDS

MANUAL SINGLE CRANK-HI/LO:
Turn crank "B" counterclockwise. This will lower the entire height of the bed.

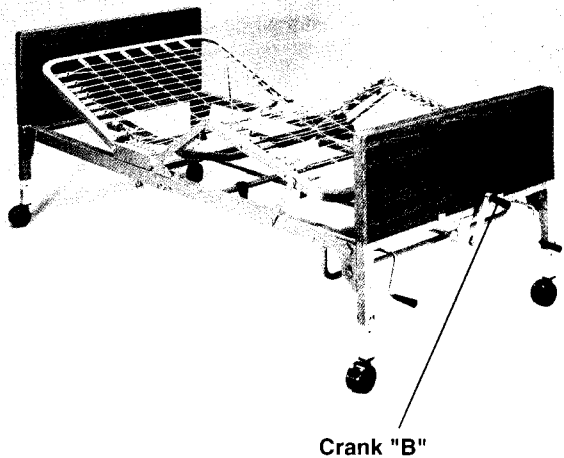


FIGURE 8 - RAISING AND LOWERING THE ENTIRE BED (MANUAL BEDS)

OPERATION AND ADJUSTMENT

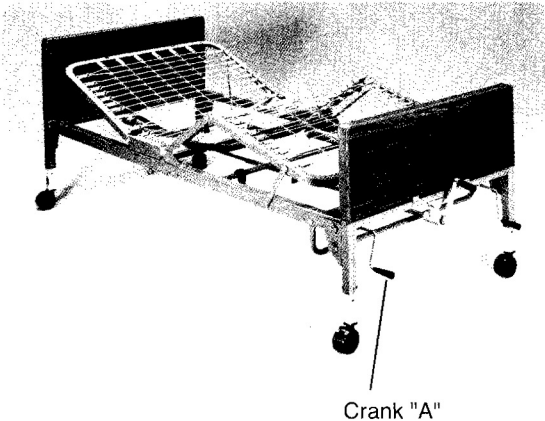
Raising and Lowering the Head Section (FIGURE 9 A)

Raising and Lowering the Foot Section (FIGURE 9 B)

TO RAISE HEAD SPRING SECTION - MANUAL BEDS

MANUAL SINGLE CRANK HI/LO:

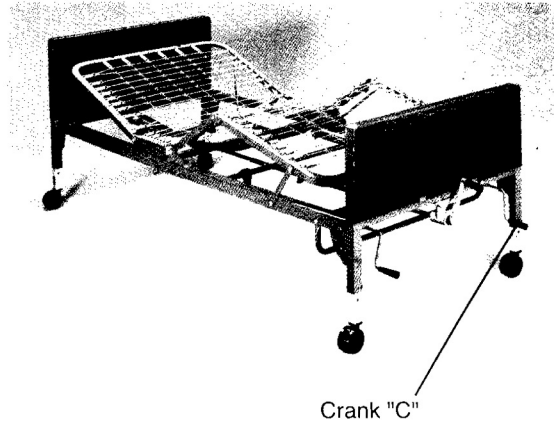
Turn crank "A" clockwise. This will raise the head portion of the bed ONLY.



TO RAISE FOOT SPRING SECTION - MANUAL BEDS

MANUAL SINGLE CRANK HI/LO:

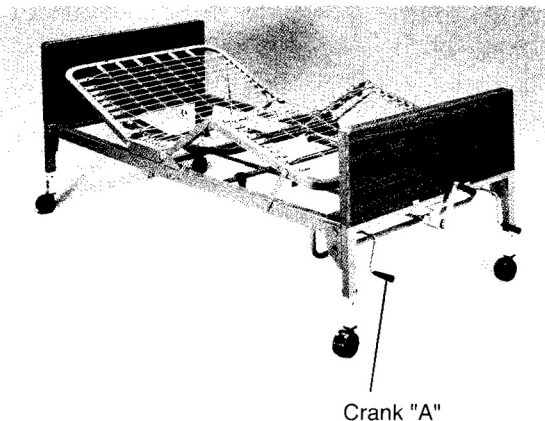
Turn crank "C" clockwise. This will raise the foot portion of the bed ONLY.



TO LOWER HEAD SPRING SECTION - MANUAL BEDS

MANUAL SINGLE CRANK HI/LO:

Turn crank "A" counterclockwise. This will lower the head portion of the bed ONLY.



TO LOWER FOOT SPRING SECTION - MANUAL BEDS

MANUAL SINGLE CRANK HI/LO:

Turn crank "C" counterclockwise. This will lower the foot portion of the bed ONLY.

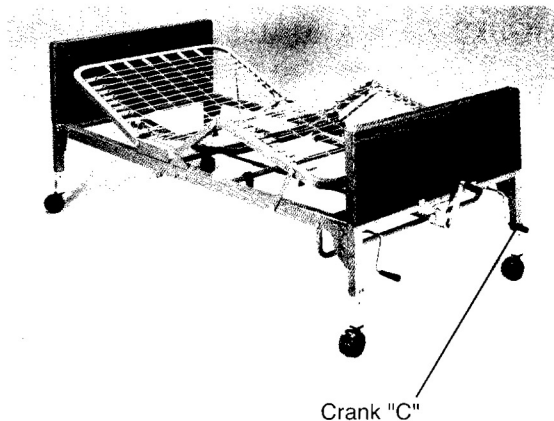


FIGURE 9A - RAISING AND LOWERING
THE HEAD SECTION

FIGURE 9B - RAISING AND LOWERING
THE FOOT SECTION

MAINTENANCE AND SAFETY CHECKS

Drive recommends the following maintenance and cleaning procedures be conducted between users.

ELECTRONICS

- Check all controls to make sure all functions work properly.
 - Foot control
 - Head control
 - Hi/LO
- Check all cables for damaged or frayed wires.
 - Power cord
 - Pendant cord
- Check to make sure all plugs are fully inserted or attached.

Bed frame and sleeping surface

- Visually check all welds
 - Head section
 - Foot section
 - Main Frame
- Check joints between sleeping surface sections for loose fasteners.

Cleaning

- The metal parts of the bed are covered with a powder coating. Clean all coated parts with mild detergent and warm water. Periodically raise head and feet sections of the bed and remove dust from frame. Also, periodically remove mattress and clean mattress deck.

Lubrication and Mechanical

- Lightly grease all actuator screw threads with white lithium grease.
- Lubricate all caster roller and swivel bearings with light machine oil.
- Check all bolts and tighten as needed.

WARRANTY

Lifetime warranty on welds.

Five year warranty on frame.

One year warranty on all other parts and components.

During the warranty period, defective items will be repaired or replaced at Drive's option at no charge.

ESPECIFICACIONES

EMPAQUE/ MANEJO

DESEMPACANDO EL PRODUCTO

1. Verifique que los componentes o la caja de la cama no estén dañados. Si detecta daños, póngase en contacto con su distribuidor local Drive.
2. Retire cualquier empaque suelto de las cajas.
3. Saque cuidadosamente todos los componentes de las cajas.

El contenido de las tres cajas es el siguiente:

1. Caja de la cabecera/piecera:

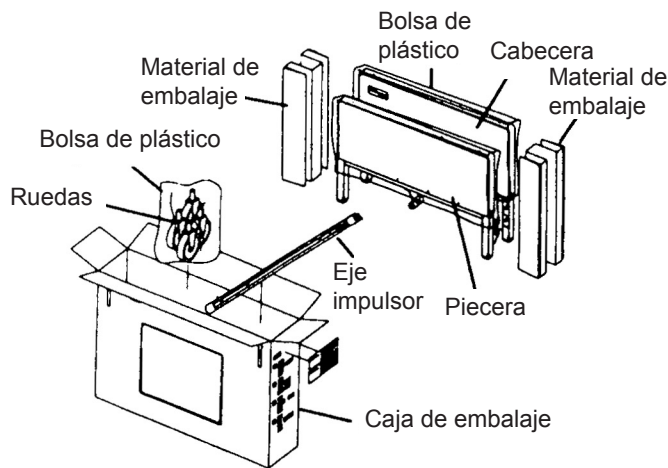
Una (1) cabecera.

Una (1) piecera (manivela montada en la cama no. 15003)

Un (1) montaje de eje impulsor de dos piezas.

Cuatro (4) ruedas (dos [2] con candado y dos [2] sin candado).

NOTA: Coloque a un lado el montaje del eje impulsor para las camas Nos. 15003, 15004, 15005



2. Caja con tambor de resortes para la piecera – modelos eléctricos (15012 o 15013):

Un (1) tambor de resortes eléctrico con caja de conexiones y cable.

Un (1) control remoto manual.

Un (1) soporte para el control remoto.

Una (1) manivela de emergencia.

PRECAUCIÓN

NO trate de activar los controles de la cama antes de terminar el montaje ya que esto puede dañar los componentes de la cama o se pueden presentar lesiones personales.

3. Caja con el tambor de resortes de la cabecera:

Un (1) tambor de resortes de la cabecera.

INSPECCIÓN

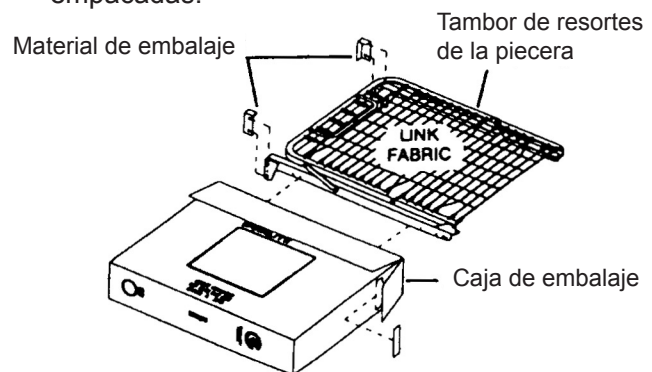
1. Examine cuidadosamente cada artículo para verificar que no existan ralladuras, hendiduras, dobleces o cualquier otro tipo de daño.

NOTA: Para camas semi-eléctricas y totalmente eléctricas:

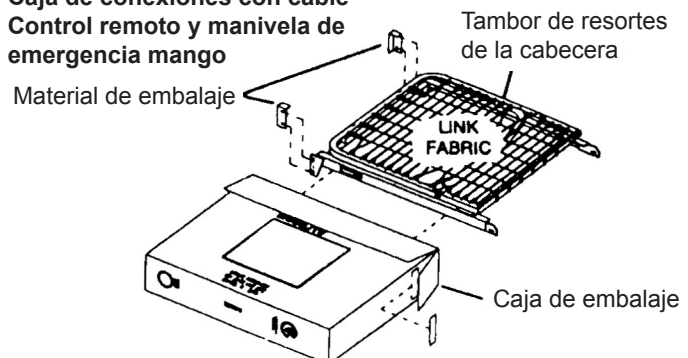
2. Inspeccione el cable de fuente de energía para verificar que el cable y/o enchufe no estén dañados.
3. Inspeccione la caja de conexiones para verificar que los conectores no estén dañados.
4. Asegúrese que los enchufes del motor estén en buenas condiciones de trabajo y que encajen adecuadamente dentro de la caja de conexiones.

ALMACENAJE

1. Si no va a armar la cama inmediatamente, conserve las cajas y el empaque durante el almacenaje hasta que realice el montaje.
2. Almacene la cama Drive completamente empacada en un área seca.
3. NO coloque otros objetos sobre las cajas empacadas.



No se muestra en la figura:
Caja de conexiones con cable
Control remoto y manivela de emergencia mango



MONTAJE

CONECTANDO LAS SECCIONES DE TAMBORES DE RESORTES (PARA CAMAS SEMI/TOTALMENTE ELÉCTRICAS Y MANUALES) (FIGURA 1)

1. Saque el tambor de resortes de la cabecera (Modelo 15008) de su empaque y colóquelo de costado a su izquierda con los pestillos de montaje centrales hacia su derecha.
 2. Saque el tambor de resortes de la piecera de su empaque y colóquelo de costado a su derecha con el tubo de tiro del tambor de resortes de la cabecera en la parte superior del montaje y los remaches de montaje centrales orientados hacia la izquierda.
 3. Para tambores de resortes de pieceras semi-eléctricas (15012) y totalmente eléctricas (15013) los motores deben estar a su derecha; para tambores de resortes de pieceras manuales (15009) los mangos de las manivelas deben estar hacia su derecha.
 4. El tambor de la cabecera y la piecera deben estar de costado y aproximadamente a 90° entre sí.
 5. Enganche la parte de abajo del ensamble central del tambor de resortes de la cabecera a la parte inferior central de los remaches del tambor de resortes de la piecera.
 6. Ganche los pestillos centrales de la parte de arriba del tambor de resortes de la cabecera a los pestillos superiores de la parte central del tambor de resortes de la piecera.
- NOTA: Puede ser necesario tener que levantar levemente el tambor de resortes de la piecera o de la cabecera para asegurar los remaches y pestillos.*
7. Después de que la piecera y la cabecera estén conectados, presione los resortes en una posición horizontal (recta) mientras están de costado.

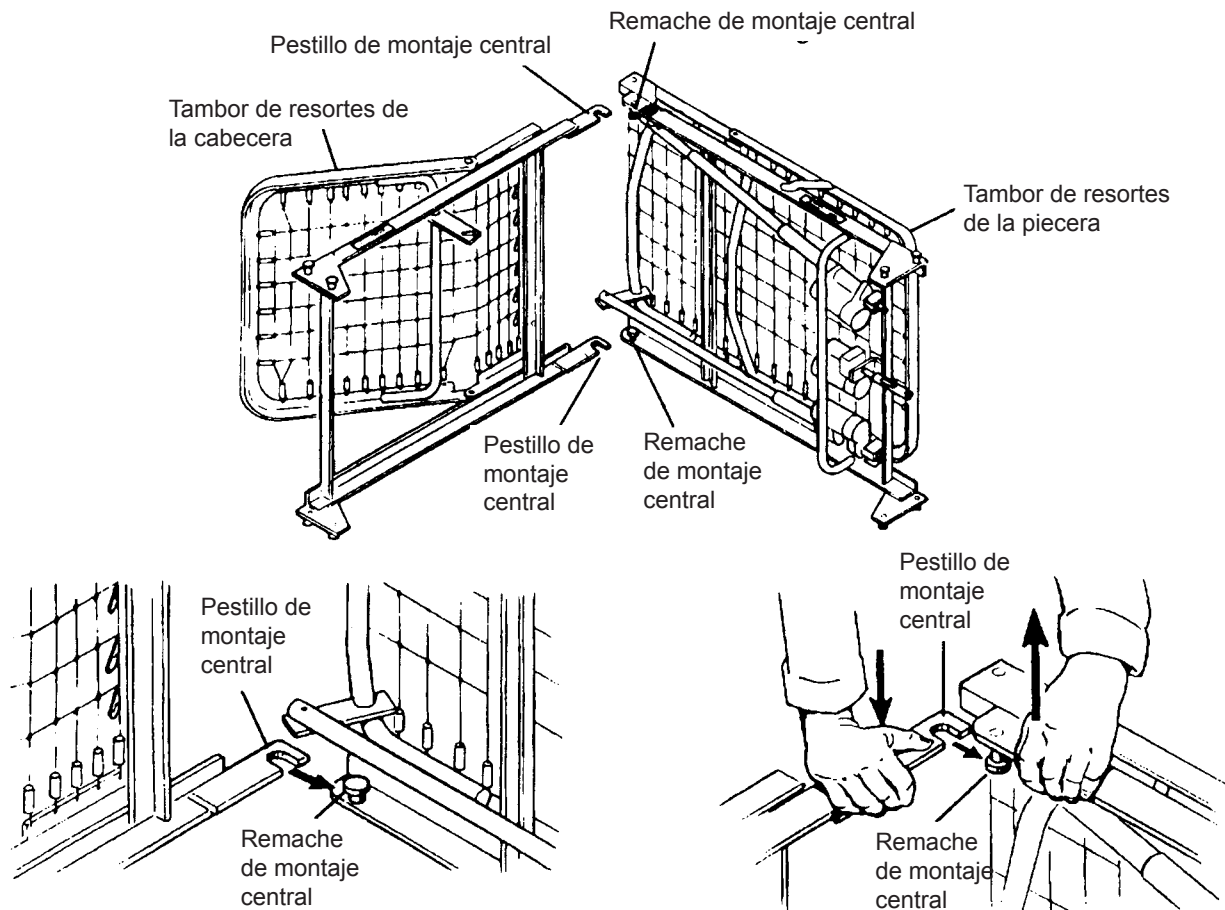


FIGURA 1 – CONECTANDO LAS SECCIONES DE TAMBORES DE RESORTE

MONTAJE

CONECTANDO LA TELA DE RESORTES (FIGURA 2)

1. Levante el tambor de resortes de la cabecera hacia arriba para poder introducir la tela, y conecte la tela de resortes junto con los eslabones que se incluyen.

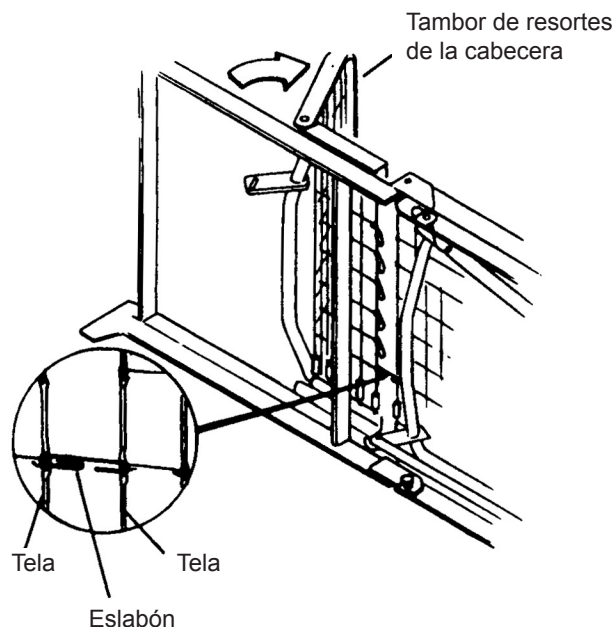


FIGURA 2 - CONECTANDO LA TELA DE RESORTES

AJUSTANDO Y RECONECTANDO EL TUBO DE TIRO DEL TAMBOR DE RESORTE DE LA CABECERA (FIGURA 3)

1. Para proporcionar un movimiento hacia arriba/abajo de la sección de la cabecera, desconecte el montaje del tubo de tiro de la cabecera del marco lateral del tambor de resortes de la piecera, esto se logra quitando la clavija de enganche, el anillo sujetador y la rondana del perno de horquilla.
2. Estire manualmente el tubo de tiro interno hasta que el botón de resorte "haga clic" dentro del orificio de ajuste del tubo de tiro externo.
3. El botón de resorte debe salir completamente por el orificio de ajuste y el perno de horquilla del brazo del tubo de tiro extendido se alineará con la ranura del brazo elevador.
4. Conecte el montaje del tubo de tiro con el brazo elevador del tambor de resortes de la cabecera al introducir el perno de horquilla dentro de la ranura del brazo elevador; vuelva a conectar en anillo sujetador y la rondana. Asegúrelo con la clavija de enganche.

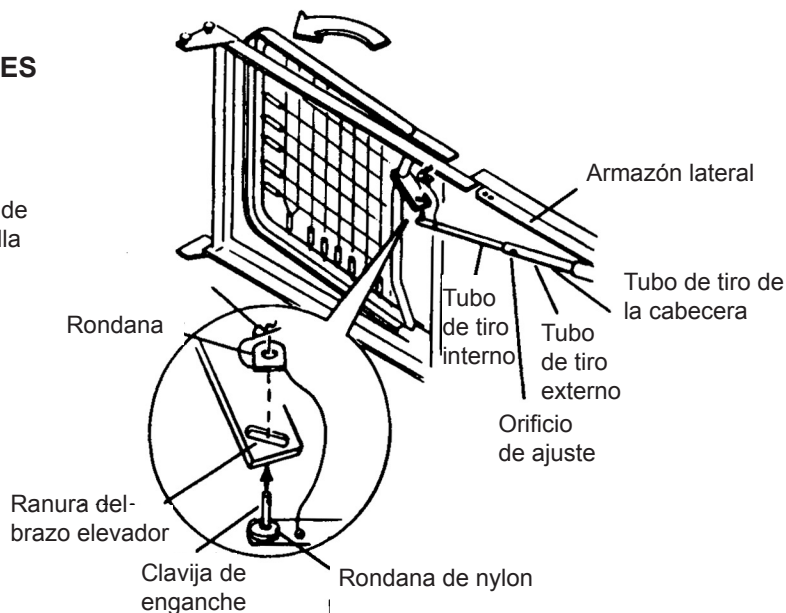


FIGURA 3 - AJUSTANDO Y RECONECTANDO EL TUBO DE TIRO DEL TAMBOR DE RESORTE DE LA CABECERA

MONTAJE

ENSAMBLANDO LOS EXTREMOS DE LA CAMA (FIGURA 4)

NOTA: Cuando esté conectando los extremos de la cama (cabecera y piecera), recuerde que la cabecera es la más alta.

1. Pare la cabecera lo más cerca posible del tambor de resortes de la cabecera.
2. Con una mano, agarre el armazón del tambor de resorte de la cabecera y levántelo hasta que los remaches en las esquinas del tambor estén a la altura correcta para introducirse dentro de las trabas de las esquinas de la cabecera.
3. Incline levemente la cabecera hacia atrás y los remaches deberán deslizarse dentro de las trabas de las esquinas más fácilmente.
4. Cuando regrese la cabecera a su posición vertical, la cabecera se asegurará en su lugar.
5. Repita el mismo procedimiento para la sección de la piecera.

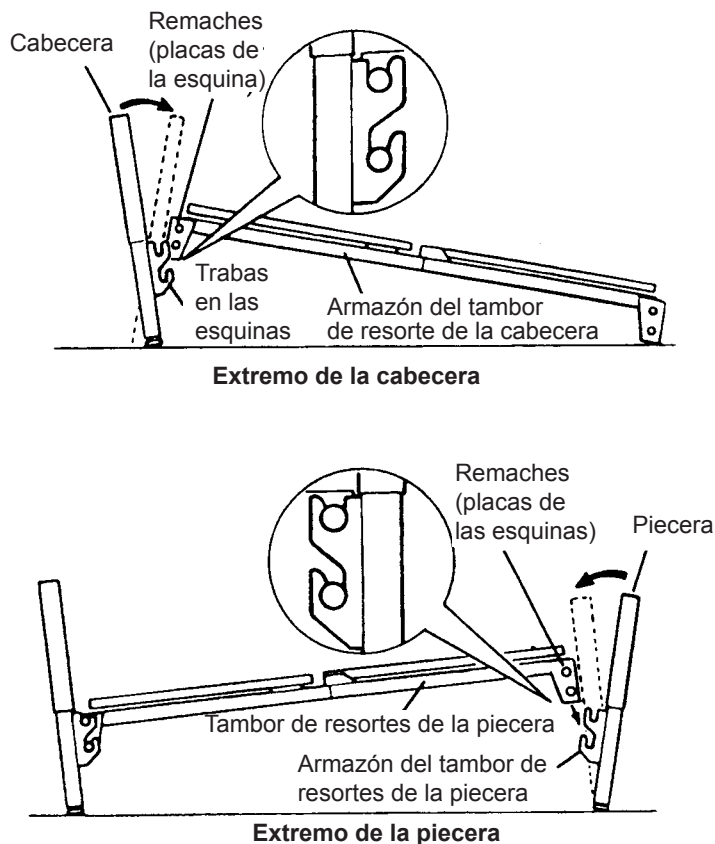


FIGURA 4 – ENSAMBLANDO LOS EXTREMOS DE LA CAMA

MONTAJE

INSTALANDO LAS RUEDAS (FIGURA 5)

1. Instale las ruedas al levantar cuidadosamente los extremos de la cama aproximadamente 5 pulgadas (12.7 cm) del piso e introduzca el eje de la rueda dentro del receptáculo de la rueda.

NOTA: Coloque las dos (2) ruedas con candado de manera diagonal y opuestas entre sí.

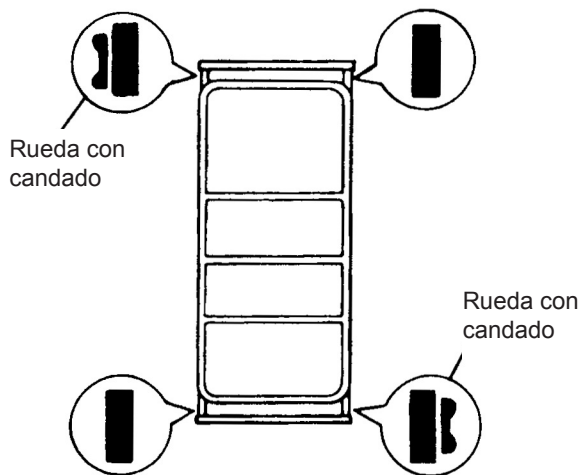
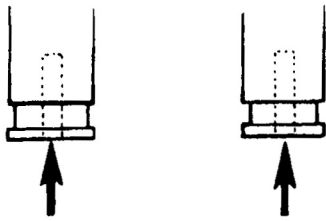


FIGURA 5 – INSTALANDO LAS RUEDAS

MONTAJE E INSTALACIÓN DEL EJE IMPULSOR (FIGURA 6)

El eje impulsor está compuesto de dos (2) secciones. La flecha interna la cual tiene un botón de colocación de resorte; y la flecha externa, la cual tiene dos (2) orificios para posición y un (1) orificio para almacenaje. Juntos, forman el eje impulsor telescópico drive que se usa en todos los modelos de las camas manuales y eléctricas Alto/Bajo.

1. Retire las tapas de plástico de cada extremo del eje impulsor.
2. Presione el botón de resorte del eje interior e introduzca el eje interior dentro del eje exterior.
3. Deslice el eje interior y colóquelo en la posición deseada dependiendo del tipo de cama y asegure el botón de resorte dentro del orificio adecuado.
4. Para camas semi-eléctricas y manuales, asegure el botón de resorte dentro del orificio de posicionamiento más lejano del eje externo.
5. Para modelos totalmente eléctricos, asegure el botón de resorte en el orificio de posicionamiento dentro del eje externo ubicado a un lado del orificio de posicionamiento para cama semi-eléctrica/manual.
6. Conecte el eje impulsor a la cama uniéndolo a cualquiera de los extremos del eje impulsor a la caja de engranes de la cabecera.
7. Conecte el otro extremo a la salida de la flecha del motor Alto/Bajo y luego conecte la salida de la flecha de la caja de engranes de la piecera al acoplador de resorte de la salida de la flecha del motor Alto/Bajo.
8. Desenganche el acoplador de resorte del eje impulsor al presionar contra el acoplador de resorte y girar en sentido de las manecillas del reloj.
9. El acoplador de resorte de la flecha de salida del motor Alto/Bajo debe desengancharse para poder conectarlo adecuadamente a la salida de la flecha de la caja de engranes de la piecera.
10. Esto se logra al presionar el acoplador de resorte de la flecha de salida del motor Alto/Bajo y girar en el sentido de las manecillas del reloj.
11. El acoplador se liberará y se enganchará al eje de salida de la piecera.
12. Asegúrese que todos los componentes estén instalados de manera segura.

MONTAJE

NOTA: Debido a que las camas semi-eléctricas, de manivela sencilla o doble y manuales no tienen un motor Alto/Bajo con funciones Alto/Bajo, el eje impulsor se montará directamente sobre el eje de salida de la caja de engranes de la cabecera.

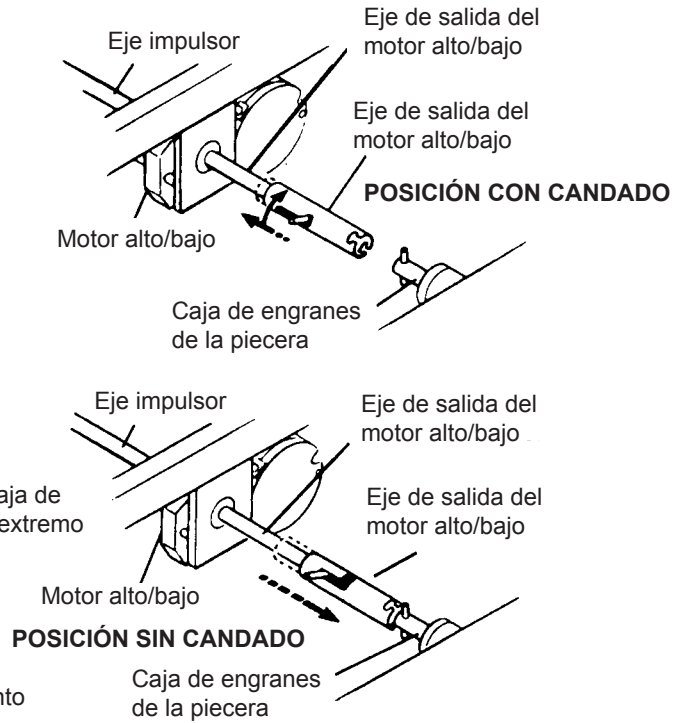
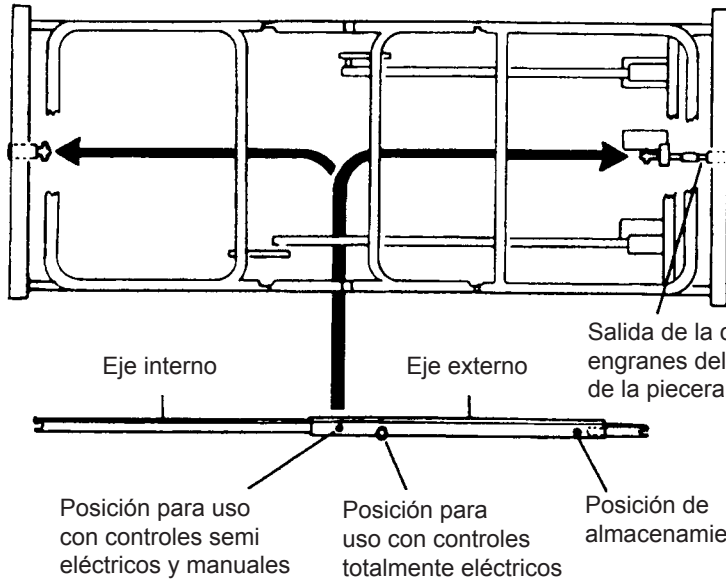


FIGURA 6 -MONTAJE E INSTALACIÓN DEL EJE IMPULSOR

ACTIVANDO LAS FUNCIONES DE LA CAMA (SOLAMENTE PARA CAMAS TOTALMENTE ELÉCTRICAS Y SEMI ELÉCTRICAS) (FIGURA 7)

1. Vuelva a verificar que las conexiones eléctricas de la caja de conexiones de la piecera estén conectadas en el lugar correcto.
2. Conecte el cable de la caja de conexiones en una toma de corriente de 110 volts y 60 ciclos.
3. Instale el sujetador del control remoto en un lugar adecuado para el usuario.

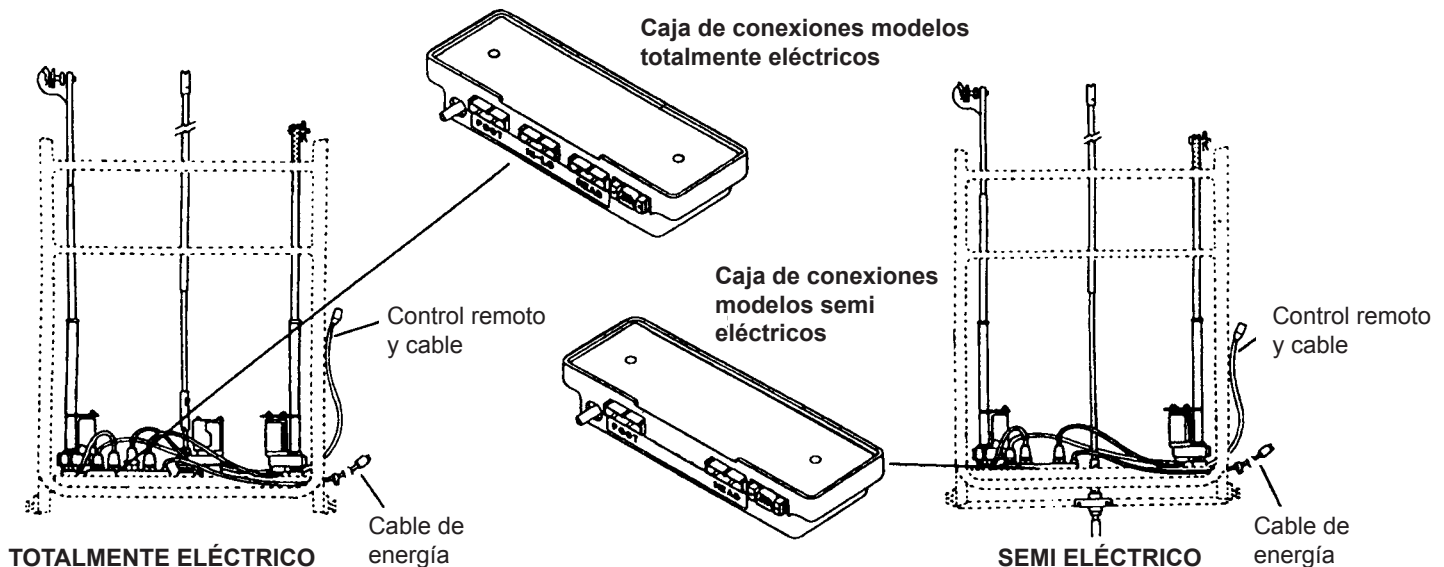


FIGURA 7 - ACTIVANDO LAS FUNCIONES DE LA CAMA (SOLAMENTE PARA CAMAS TOTALMENTE ELÉCTRICAS Y SEMI ELÉCTRICAS)

OPERACIÓN Y AJUSTES

Este procedimiento incluye lo siguiente:
OPERACIÓN PARA MODELO TOTALMENTE ELÉCTRICO

Operación para modelo semi-eléctrico

Operación para cama manual

OPERACIÓN PARA MODELO TOTALMENTE ELÉCTRICO

1. Las fotos que se incluyen muestran en detalle las camas totalmente eléctricas y familiarizarán al usuario con las funciones y controles de la cama.
2. Cómo operar la cama durante todas las fases de su operación.
3. Si se presentan problemas durante las pruebas, verifique de nuevo las conexiones eléctricas y la instalación mecánica.
4. Las camas totalmente eléctricas usan un control de seis (6) funciones para la operación de la cama.
5. Todas las camas totalmente eléctricas cuentan con una manivela de emergencia para permitir su uso en caso de interrupción de suministro energético.

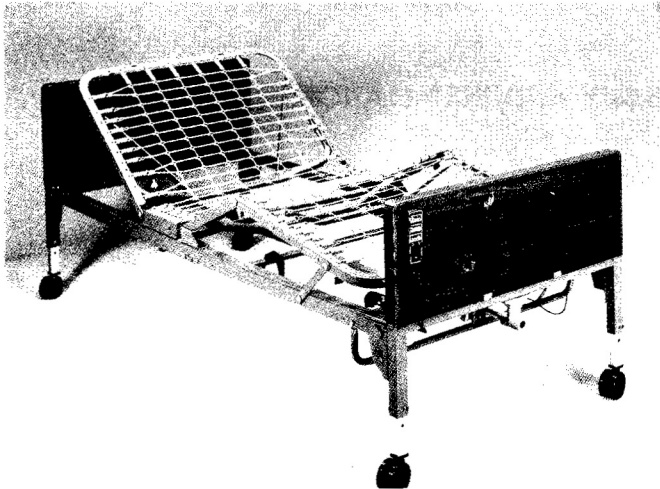
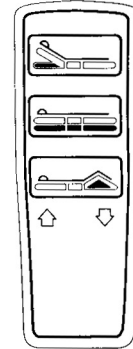


FIGURA 1 – CAMAS TOTALMENTE ELÉCTRICAS

LEVANTANDO Y BAJANDO TODA LA CAMA (CAMAS TOTALMENTE ELÉCTRICAS [FIGURA 2])

PARA LEVANTAR TOTALMENTE LAS CAMAS ELÉCTRICAS

Presione el botón "BED UP" (cama hacia arriba) como se muestra en el control remoto. Esto levantará toda la altura de la cama.



PARA BAJAR TOTALMENTE LAS CAMAS ELÉCTRICAS

Presione el botón "BED DOWN" (cama hacia abajo) como se muestra en el control remoto. Esto bajará toda la altura de la cama.

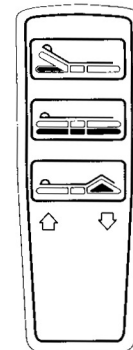


FIGURA 2 – SUBIENDO Y BAJANDO TODA LA CAMA (CAMAS TOTALMENTE ELÉCTRICAS).

OPERACIÓN Y AJUSTES

Levantando y bajando las secciones de la cabecera y piecera (camas totalmente eléctricas [FIGURA 3])

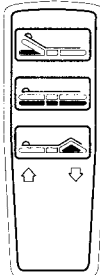
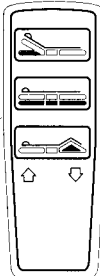
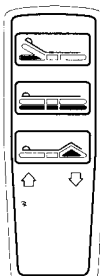
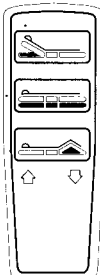
| | |
|---|---|
| <p>PARA LEVANTAR LA SECCIÓN DEL TAMBOR DE RESORTES DE LA CABECERA CAMAS TOTALMENTE ELÉCTRICAS</p> |  |
| <p>Presione el botón "HEAD UP" (cabecera hacia arriba) como se muestra en el control remoto. Esto levantará SOLAMENTE la parte de la cabecera de la cama.</p> | |
| <p>PARA BAJAR LA SECCIÓN DEL TAMBOR DE RESORTES DE LA CABECERA CAMAS TOTALMENTE ELÉCTRICAS</p> |  |
| <p>Presione el botón "HEAD DOWN" (cabecera hacia abajo) como se muestra en el control remoto. Esto bajará SOLAMENTE la parte de la cabecera de la cama.</p> | |
| <p>PARA LEVANTAR LA SECCIÓN DEL TAMBOR DE RESORTES DE LA PIECERA CAMAS TOTALMENTE ELÉCTRICAS</p> |  |
| <p>Presione el botón "FOOT UP" (piecera hacia arriba) como se muestra en el control remoto. Esto levantará SOLAMENTE la parte de la piecera de la cama.</p> | |
| <p>PARA BAJAR LA SECCIÓN DEL TAMBOR DE RESORTES DE LA PIECERA CAMAS TOTALMENTE ELÉCTRICAS</p> |  |
| <p>Presione el botón "FOOT DOWN" (piecera hacia abajo) como se muestra en el control remoto. Esto bajará SOLAMENTE la parte de la piecera de la cama.</p> | |

FIGURA 3 – LEVANTANDO Y BAJANDO LAS SECCIONES DE LA CABECERA Y PIECERA (CAMAS TOTALMENTE ELÉCTRICAS)

OPERACIÓN DE CAMA SEMI ELÉCTRICA

1. Las ilustraciones que se incluyen muestran en detalle las camas semi eléctricas con la ubicación de la manivela y del motor Alto/Bajo, si corresponden.
2. Las camas semi eléctricas con una o dos manivelas y operación Alto/Bajo usan un control remoto de cuatro (4) funciones para las funciones de la cabecera y de la piecera y el mango de manivela para la operación de Alto/Bajo.
3. Las camas semi eléctrica de altura fija cuentan con la opción de operación de la cabecera y piecera pero la altura en sí es fija y no puede alterarse.
4. Determine cuál es su cama semi eléctrica en particular para poder identificar las características de operación de su cama.
5. Cómo operar la cama durante todas las fases de su operación.
6. Si se presentan problemas durante las pruebas, verifique de nuevo las conexiones eléctricas y la instalación mecánica.
7. Todas las camas totalmente eléctricas cuentan con una manivela de emergencia para permitir su uso en caso de interrupción de suministro energético.

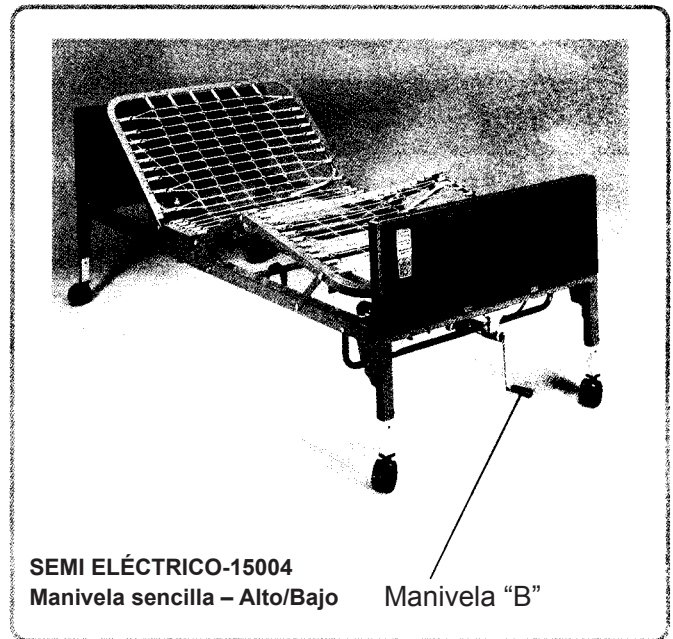


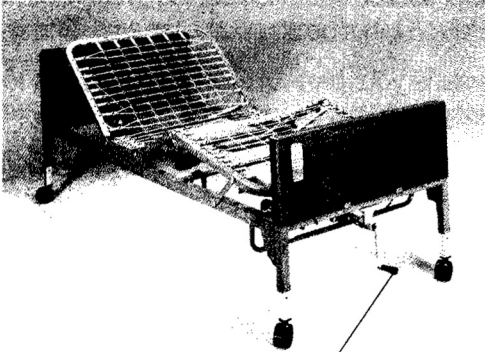
FIGURA 4 – OPERACIÓN SEMI ELÉCTRICA

OPERACIÓN Y AJUSTES

LEVANTANDO Y BAJANDO TODA LA CAMA (CAMAS SEMI ELÉCTRICAS [FIGURA 5])

PARA LEVANTAR TODA LA CAMA SEMI ELÉCTRICA

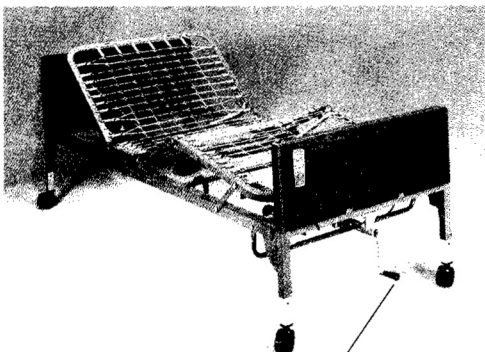
SEMI ELÉCTRICA CON MANIVELA SENCILLA ALTA/BAJA: Gire la manivela "B" en sentido de las manecillas del reloj. Esto levantará toda la altura de la cama.



Manivela "B"

PARA BAJAR TOTALMENTE TODA LA CAMA SEMI ELÉCTRICA

SEMI ELÉCTRICA CON MANIVELA SENCILLA ALTA/BAJA: Gire la manivela "B" en contra del sentido de las manecillas del reloj. Esto bajará toda la altura de la cama.



Manivela "B"

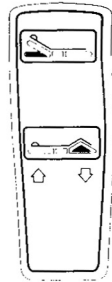
FIGURA 5 – LEVANTANDO Y BAJANDO TODA LA CAMA (CAMAS SEMI ELÉCTRICAS).

LEVANTANDO Y BAJANDO LAS SECCIONES DE LA CABECERA Y PIECERA. (CAMAS SEMI ELÉCTRICAS [FIGURA 6])

PARA LEVANTAR LA SECCIÓN DEL TAMBOR DE RESORTES DE LA CABECERA DE CAMAS SEMI ELÉCTRICAS

SEMI ELÉCTRICA CON MANIVELA SENCILLA ALTA/BAJA:

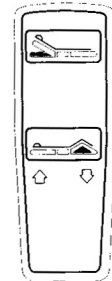
Presione el botón "HEAD UP" (cabecera hacia arriba) como se muestra en el control remoto. Esto levantará SOLAMENTE la porción de la cabecera.



PARA BAJAR LA SECCIÓN DEL TAMBOR DE RESORTES DE LA CABECERA DE CAMAS SEMI ELÉCTRICAS

SEMI ELÉCTRICA CON MANIVELA SENCILLA ALTA/BAJA:

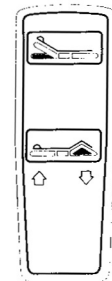
Presione el botón "HEAD DOWN" (cabecera hacia abajo) como se muestra en el control remoto. Esto bajará SOLAMENTE la porción de la cabecera.



PARA LEVANTAR LA SECCIÓN DEL TAMBOR DE RESORTES DE LA PIECERA DE CAMAS SEMI ELÉCTRICAS

SEMI ELÉCTRICA CON MANIVELA SENCILLA ALTA/BAJA:

Presione el botón "FOOT UP" (piecera hacia arriba) como se muestra en el control remoto. Esto levantará SOLAMENTE la parte de la piecera de la cama.



PARA BAJAR LA SECCIÓN DEL TAMBOR DE RESORTES DE LA PIECERA DE CAMAS SEMI ELÉCTRICAS

SEMI ELÉCTRICA CON MANIVELA SENCILLA ALTA/BAJA:

Presione el botón "FOOT DOWN" (piecera hacia abajo) como se muestra en el control remoto. Esto bajará SOLAMENTE la parte de la piecera de la cama.

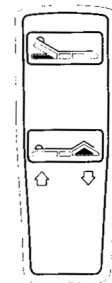


FIGURA 6 – LEVANTANDO Y BAJANDO LAS SECCIONES DE LA CABECERA Y PIECERA (CAMAS SEMI ELÉCTRICAS Y UNA Y DOS MANIVELAS ALTO/BAJO)

NOTA: Recuerde que si una cama totalmente eléctrica o semi eléctrica falla, es posible operarla manualmente usando la manivela de emergencia que se proporciona.

OPERACIÓN Y AJUSTES

OPERACIÓN DE CAMA MANUAL (FIGURA 7)

1. Las ilustraciones que se incluyen muestran en detalle los modelos de cama manual y la ubicación de la manivela alto/bajo, si corresponde.
2. Determine cuál es su cama en particular para poder identificar las características de operación de su cama.
3. Como operar la cama durante todas las fases de su operación.
4. Si se presentan problemas durante las pruebas, verifique de nuevo todas las conexiones mecánicas.

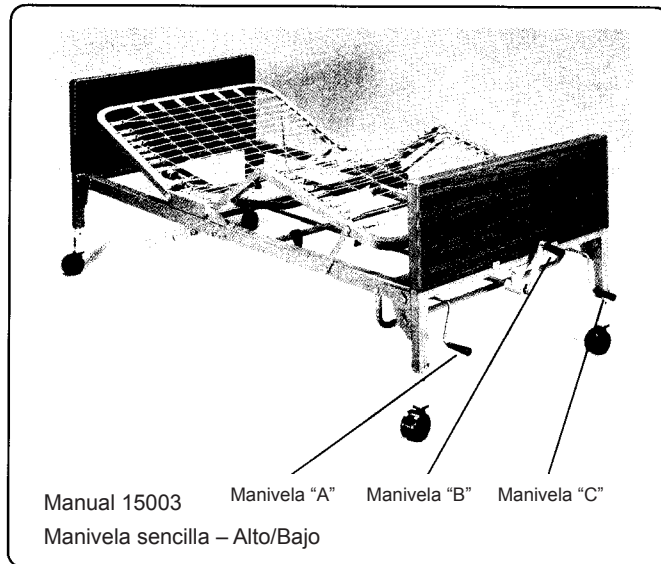


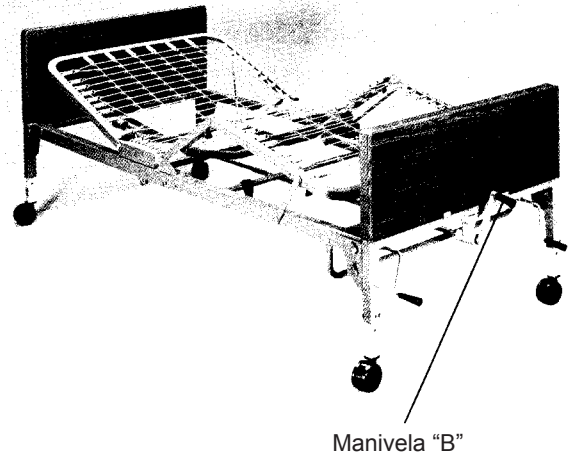
FIGURA 7 – OPERACIÓN DE CAMA MANUAL

LEVANTANDO Y BAJANDO TODA LA CAMA (CAMAS MANUALES [FIGURA 8])

PARA LEVANTAR TODA LA CAMA – CAMAS MANUALES

MANUAL CON MANIVELA SENCILLA ALTA/BAJA:

Gire la manivela "B" en sentido de las manecillas del reloj. Esto levantará toda la altura de la cama.



PARA BAJAR TODA LA CAMA – CAMAS MANUALES

MANUAL CON MANIVELA SENCILLA ALTA/BAJA:

Gire la manivela "B" en contra del sentido de las manecillas del reloj. Esto bajará toda la altura de la cama.

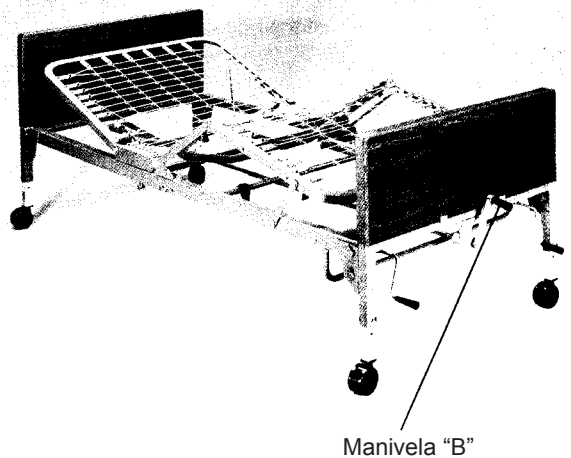


FIGURA 8 – LEVANTANDO Y BAJANDO TODA LA CAMA (CAMAS MANUALES).

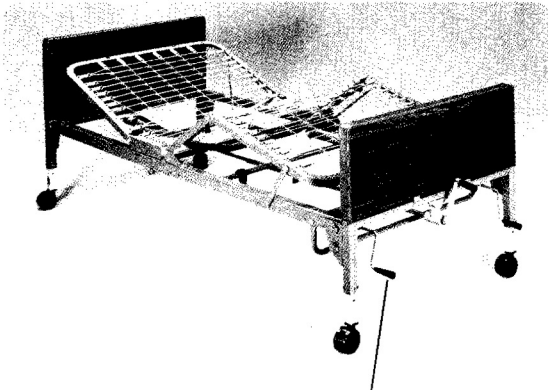
OPERACIÓN Y AJUSTES

LEVANTANDO Y BAJANDO LA SECCIÓN DE LA CABECERA (FIGURA 9A)

PARA LEVANTAR LA SECCIÓN DEL TAMBOR DE RESORTES DE LA CABECERA - CAMAS MANUALES

MANUAL CON MANIVELA SENCILLA ALTA/BAJA:

Gire la manivela "A" en sentido de las manecillas del reloj. Esto levantará SOLAMENTE la parte de la cabecera de la cama.

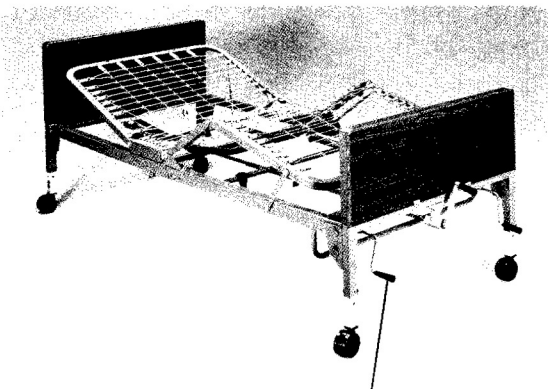


Manivela "A"

PARA BAJAR LA SECCIÓN DEL TAMBOR DE RESORTES DE LA CABECERA - CAMAS MANUALES

MANUAL CON MANIVELA SENCILLA ALTA/BAJA:

Gire la manivela "A" en contra del sentido de las manecillas del reloj. Esto bajará SOLAMENTE la parte de la cabecera de la cama.



Manivela "A"

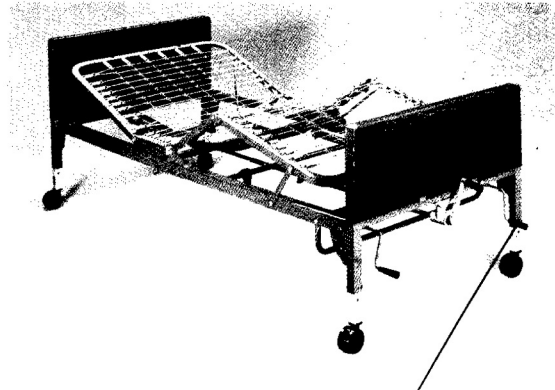
FIGURA 9A - LEVANTANDO Y BAJANDO LA SECCIÓN DE LA CABECERA

LEVANTANDO Y BAJANDO LA SECCIÓN DE LA PIECERA (FIGURA 9 B)

PARA LEVANTAR LA SECCIÓN DEL TAMBOR DE RESORTES DE LA PIECERA - CAMAS MANUALES

MANUAL CON MANIVELA SENCILLA ALTA/BAJA:

Gire la manivela "C" en sentido de las manecillas del reloj. Esto levantará SOLAMENTE la parte de la piecera de la cama.

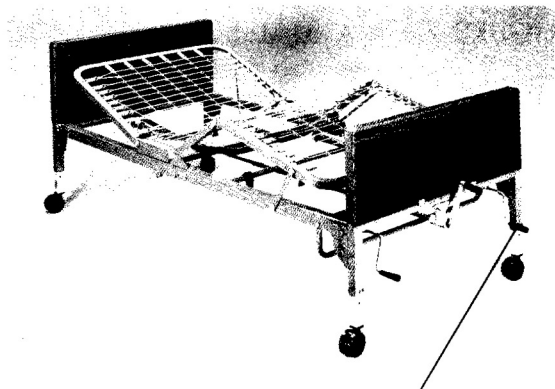


Manivela "C"

PARA BAJAR LA SECCIÓN DEL TAMBOR DE RESORTES DE LA PIECERA - CAMAS MANUALES

MANUAL CON MANIVELA SENCILLA ALTA/BAJA:

Gire la manivela "C" en contra del sentido de las manecillas del reloj. Esto bajará SOLAMENTE la parte de la piecera de la cama.



Manivela "C"

FIGURA 9B - LEVANTANDO Y BAJANDO LA SECCIÓN DE LA PIECERA

MANTENIMIENTO E INSPECCIONES DE SEGURIDAD

Drive recomienda que se realicen los siguientes procedimientos de mantenimiento y limpieza entre usuarios.

ELECTRÓNICA

- Cheque todos los controles para asegurar que todas las funciones trabajen adecuadamente.
 - Control de la piecera
 - Control de la cabecera
 - Alto/Bajo
- Verifique todos los cables para identificar alambres dañados o rotos.
 - Cable de energía
 - Cable del control remoto
- Asegúrese que todos los enchufes estén conectados o insertados completamente.

Armazón de la cama y área para dormir

- Verifique visualmente todas las soldaduras
 - Sección de la cabecera
 - Sección de la piecera
 - Armazón principal
- Inspeccione las uniones entre las secciones de la superficie para dormir para verificar que no existan sujetadores sueltos.

Limpieza

- Las partes de metal de la cama están cubiertas con un recubrimiento en polvo. Limpie todas las partes con una solución de agua tibia y detergente suave. Con frecuencia levante las secciones de la cabecera y piecera y retire el polvo del armazón. Además, quite el colchón y limpie la plataforma del colchón periódicamente.

Lubricación y mantenimiento mecánico

- Engrase ligeramente las roscas del tornillo actuador con grasa de litio blanca
- Lubrique todos los rodillos y cojinetes giratorios de las ruedas con aceite para máquinas.
- Verifique que todos los pernos estén suficientemente apretados.

GARANTÍA

Garantía de por vida en soldaduras.

Cinco años de garantía en el armazón.

Un año de garantía en todas las otras partes y componentes.

Durante el periodo de garantía, los artículos defectuosos serán reparados o reemplazados gratuitamente a discreción de Drive.

SPÉCIFICATIONS

EMBALLAGE / MANUTENTION

DÉBALLAGE

1. Vérifiez tous l'emballage et tous les composants.
Si vous notez la présence de dommages, communiquez avec votre revendeur Drive.
2. Retirez les matériaux d'emballage des boîtes.
3. Retirez avec soins tous les composants des boîtes.

Les trois boîtes contiennent les composants suivants:

1. Boîte de la tête et du pied de lit :

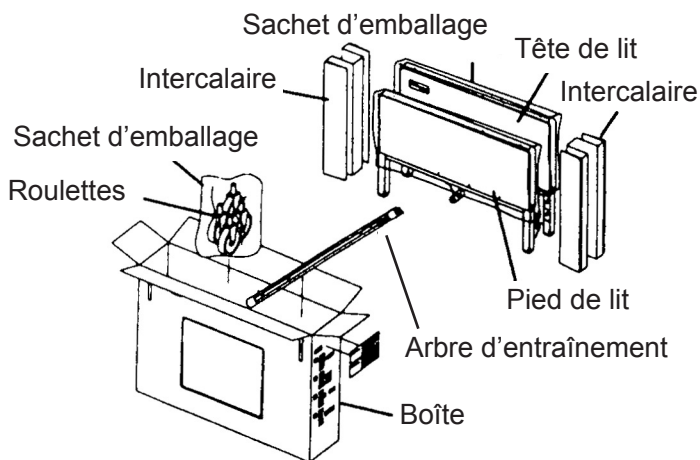
Une (1) tête de lit.

Un (1) pied de lit (manivelle installée pour le lit no. 15003).

Un (1) arbre d'entraînement (deux pièces).

Quatre (4) roulettes (deux (2) roulettes verrouillables et deux (2) libres).

Mettez l'arbre d'entraînement de côté pour les lits no. 15003, 15004, 15005.



2. Boîte du sommier à lattes, section de pied – modèles électriques (15012 ou 15013) :

Un (1) sommier à lattes, section de pied, avec boîte de connexion et cordon.

Une (1) commande manuelle

Un (1) support pour la commande

Une (1) manivelle d'urgence

MISE EN GARDE

N'UTILISEZ PAS la commande électrique avant d'avoir complété le montage du lit. Vous risqueriez d'endommager le lit et de vous blesser.

3. Boîte du sommier à lattes, section de tête:

Un (1) sommier à lattes, section de tête.

INSPECTION

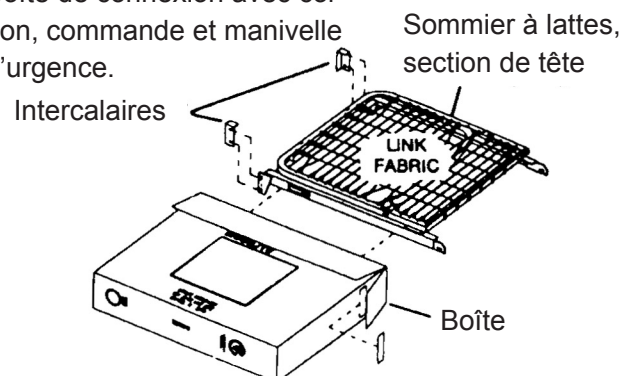
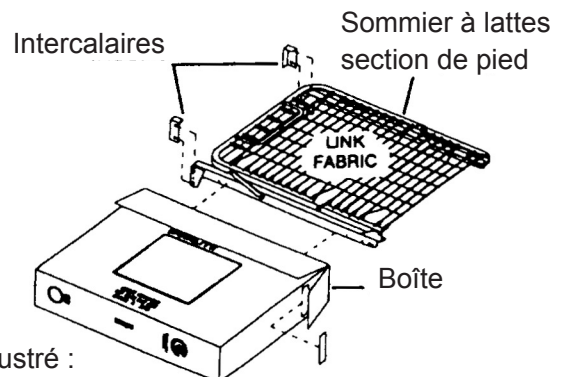
1. Examinez chaque composant avec soin. Notez la présence d'égratignures, d'entailles, de creux ou d'autres dommages apparents.

NOTA : Pour les lits semi-électriques et électriques :

2. Notez la présence de dommages sur le cordon d'alimentation ou la prise de courant.
3. Notez la présence de dommages au niveau de la boîte de connexion.
4. Assurez-vous que les branchements des moteurs sont en bon état et qu'ils sont bien branchés dans la boîte de connexion.

ENTREPOSAGE

1. Si le lit n'est pas assemblé immédiatement, conservez les boîtes et le matériel d'emballage jusqu'au moment de l'assemblage.
2. Remballagez et entreposez le lit Drive à usage domestique dans un endroit sec.
3. NE PLACEZ AUCUN objet sur les boîtes d'emballage.



ASSEMBLAGE

1. Retirez le sommier à lattes de tête (modèle 15008) du carton et posez-le sur le sol, sur le côté, à votre gauche, avec les encoches de montage centrales à droite.
 2. Retirez le sommier à lattes de pied du carton et posez-le sur le sol, sur le côté, à votre droite, avec le mécanisme de tête vers le haut et les encoches de montage centrales à gauche.
 3. Pour les sommiers semi-électriques (15012) et électriques (15013), les moteurs doivent se trouver à votre droite. Pour les pieds à commande manuelle (15009), la manivelle doit se trouver à votre droite.
 4. Les sommiers de tête et de pied doivent être sur leur côté, formant un angle d'environ 90 degrés.
 5. Insérez le tenon central du bas (sommier de pied) dans l'encoche centrale du bas (sommier de tête).
 6. Insérez le tenon central du haut (sommier de pied) dans l'encoche centrale du haut (sommier de tête).
- NOTA : Vous devrez peut-être soulever légèrement le sommier de tête ou de pied pour faire passer le tenon dans l'encoche.
7. Une fois que les sommiers de tête et de pied sont reliés, redressez (alignez) les deux sections tout en les laissant reposer sur le côté.

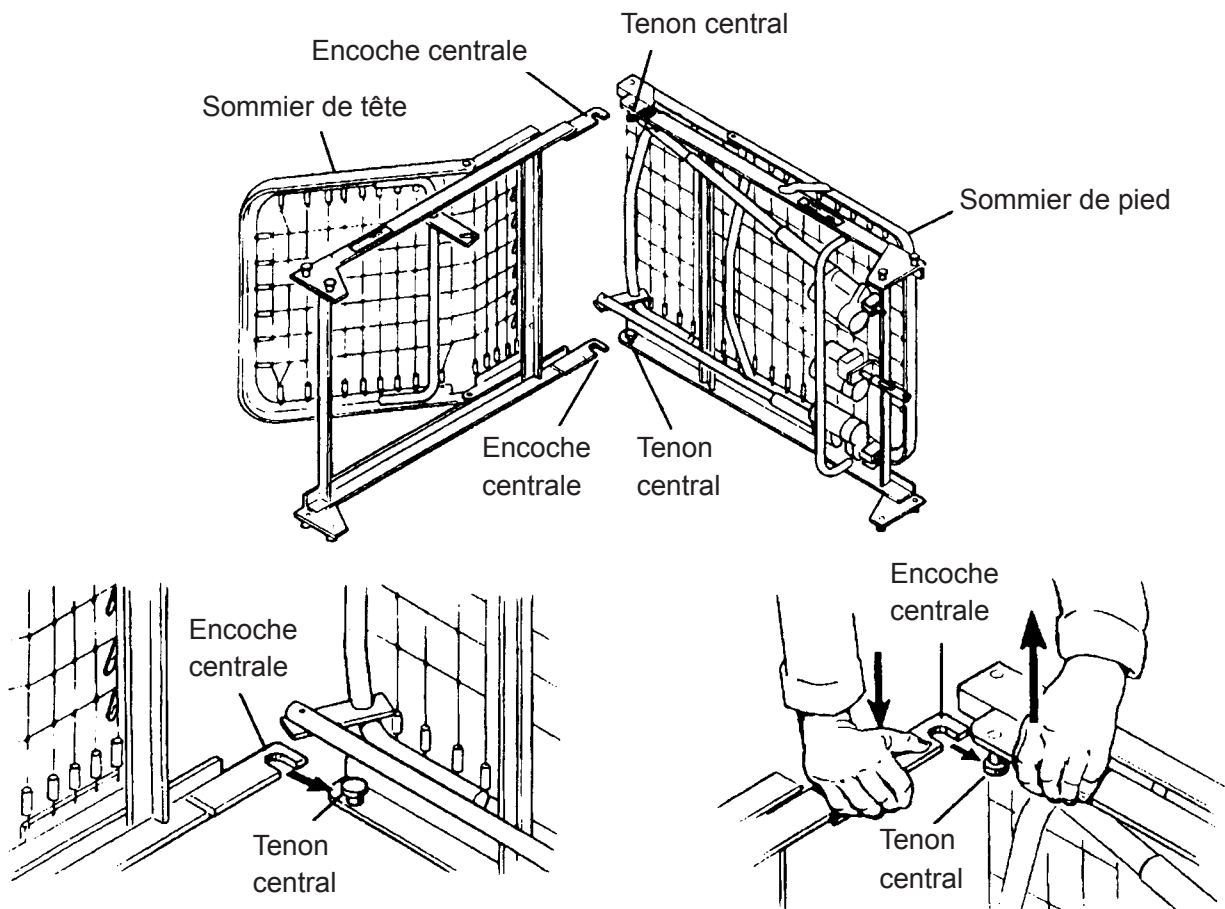


ILLUSTRATION 1 – RELIER LES SOMMIERS

ASSEMBLAGE

RELIER LE MAILLAGE DES SOMMIERS (ILLUSTRATION 2)

1. Relevez le sommier de tête pour donner du mou au maillage, et reliez les maillages à l'aide des maillons fournis.

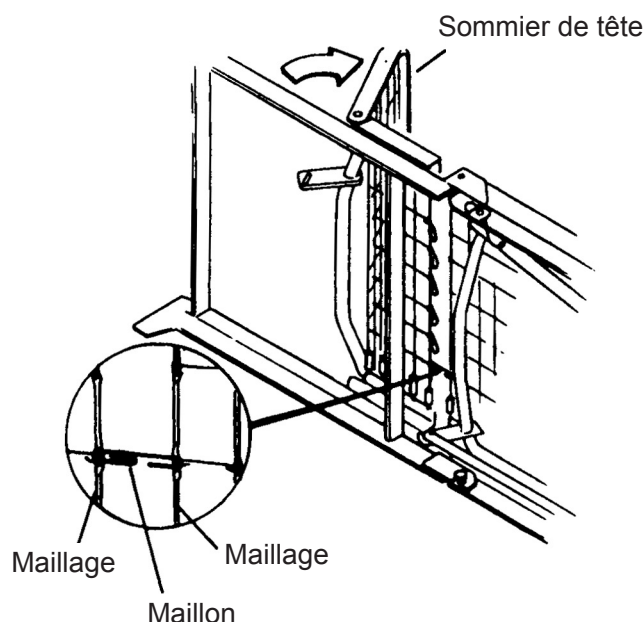


ILLUSTRATION 2 –
RELIER LE MAILLAGE DES SOMMIERS

AJUSTER ET REASSEMBLER LA BARRE DE TRACTION DU SOMMIER DE TÊTE (ILLUSTRATION 3)

1. Pour permettre le levage du sommier de tête, retirez la goupille d'attelage, la bague et la rondelle de l'axe de chape, et dégagez la barre de traction du cadre latéral du sommier de pied.
2. Tirez le tube intérieur à la main jusqu'à l'enclenchement du cran d'arrêt dans l'orifice de blocage du tube extérieur.
3. Le bouton à ressort doit ressortir par l'orifice de blocage et l'axe de chape du tube de traction devrait être aligné avec la fente du levier.
4. Reliez la barre de traction au levier du sommier de tête en insérant l'axe de chape dans la fente du levier.

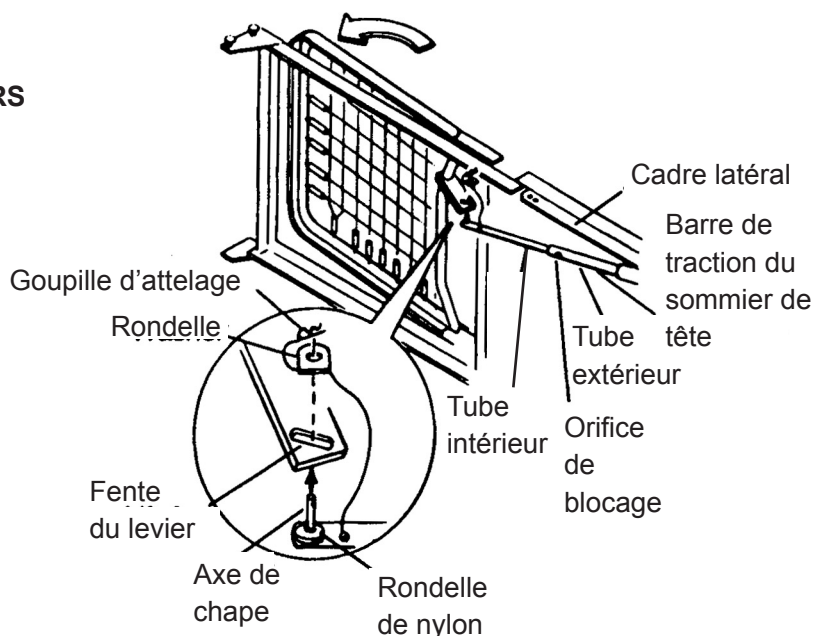


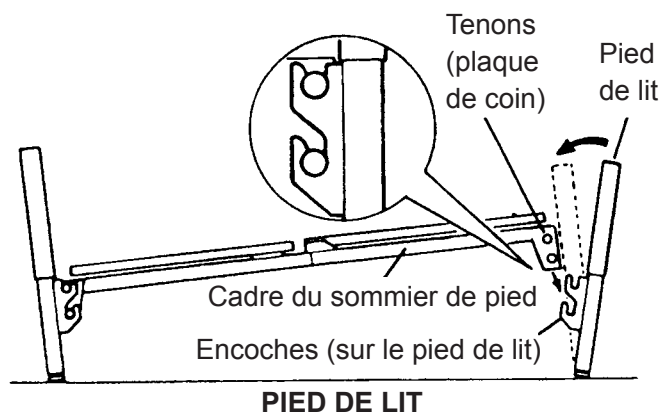
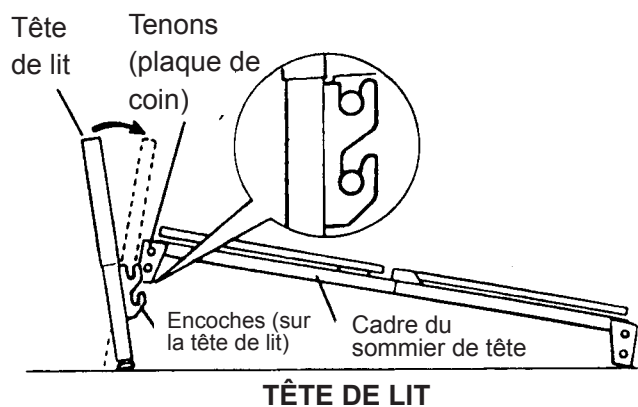
ILLUSTRATION 3 – AJUSTER ET RÉASSEMBLER LA
BARRE DE TRACTION DU SOMMIER DE TÊTE

ASSEMBLAGE

ASSEMBLAGE DE LE TÊTE ET DU PIED DE LIT (ILLUSTRATION 4)

NOTA : Pour les différencier, rappelez-vous que la tête de lit est plus haute que le pied de lit.

1. Placez la tête de lit le plus près possible du sommier de tête.
2. D'une main, saisissez le cadre du sommier de tête et soulevez-le jusqu'à ce que les tenons du sommier soient alignés avec les encoches de la tête de lit.
3. Penchez la tête de lit légèrement vers l'arrière et faites glisser les tenons dans les encoches.
4. Lorsque la tête de lit est revenue en position verticale, elle devrait être verrouillée au sommier de tête.
5. Répétez cette procédure avec le pied de lit.

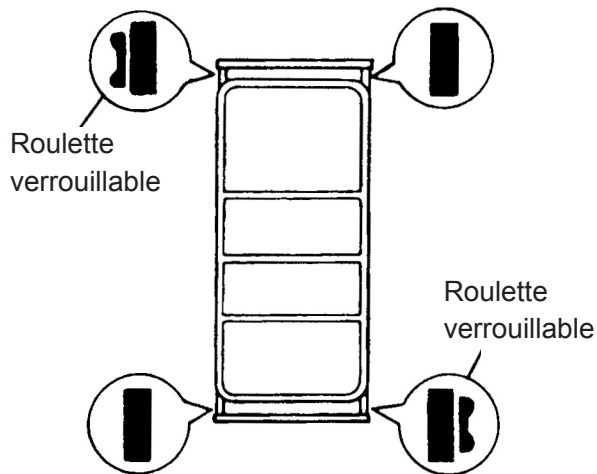
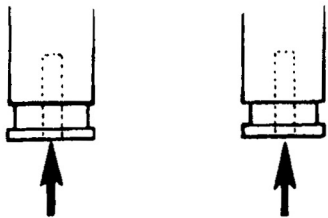


ASSEMBLAGE

INSTALLATION DES ROULETTES (ILLUSTRATION 5)

1. Installez les roulettes en soulevant avec précautions les extrémités du lit, environ 13 cm (5 pouces) au-dessus du sol. Insérez les axes des roulettes dans les orifices prévus.

NOTA : Placez les roulettes verrouillables dans deux coins diamétralement opposés.



**ILLUSTRATION 5 –
INSTALLATION DES ROULETTES**

MONTAGE ET INSTALLATION DE L'ARBRE D'ENTRAÎNEMENT (ILLUSTRATION 6)

L'arbre d'entraînement est composé de deux (2) sections. L'arbre intérieur possède un bouton à ressort et l'arbre extérieur possède deux (2) orifices de positionnement et un (1) orifice d'entreposage. Ces deux pièces composent l'arbre d'entraînement télescopique utilisé avec les modèles de lits manuels et électriques Hi/Lo.

1. Retirez les capuchons de plastique des deux extrémités des arbres.
2. Enfoncez le bouton à ressort de l'arbre intérieur et insérez-le dans l'arbre extérieur.
3. Faites glisser l'arbre intérieur à l'intérieur de l'arbre extérieur jusqu'au niveau qui convient selon le modèle de lit et faites passer le bouton à ressort dans l'orifice correspondant.
4. Pour les modèles semi-électrique et manuel, utilisez l'orifice le plus profond de l'arbre extérieur.
5. Pour le modèle tout électrique, utilisez l'orifice de l'arbre extérieur qui est à côté de l'orifice utilisé pour les modèles manuel et semi-électrique.
6. Fixez l'arbre d'entraînement au lit en insérant une des deux extrémités dans la boîte d'engrenages de la tête de lit.
7. Branchez l'autre extrémité à l'arbre du moteur Hi/Lo puis reliez l'arbre de la boîte d'engrenages du pied de lit au manchon à ressort de l'arbre du moteur Hi/Lo.
8. Libérez le manchon à ressort de l'arbre d'entraînement en le poussant contre le manchon et en tournant dans le sens horaire.
9. Le manchon à ressort de l'arbre du moteur Hi/Lo doit maintenant être libéré afin de se brancher adéquatement à l'arbre de la boîte d'engrenages du pied de lit.
10. Poussez le manchon à ressort contre l'arbre du moteur Hi/Lo et tournez dans le sens horaire.
11. Le manchon s'enclenchera et reliera l'arbre d'entraînement du pied de lit.
12. Assurez-vous que tous les composants sont dûment installés.

ASSEMBLAGE

NOTA : Comme il n'y a pas de moteur Hi/Lo pour les modèles semi-électrique à une ou deux manivelles, et le modèle manuel avec fonctions Hi/Lo, l'arbre d'entraînement sera relié directement à l'arbre de la boîte d'engrenages du pied de lit.

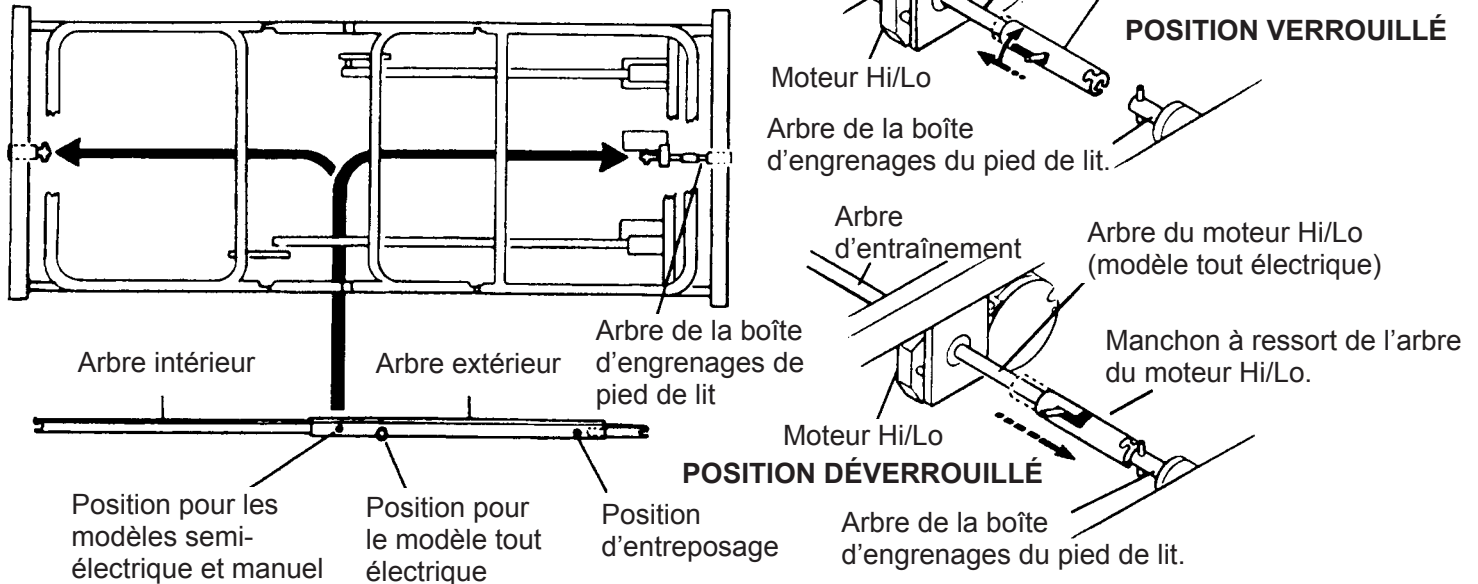


ILLUSTRATION 6 – MONTAGE ET INSTALLATION DE L'ARBRE D'ENTRAÎNEMENT

MISE EN ROUTE DES FONCTIONS (LITS TOUT ÉLECTRIQUE ET SEMI-ÉLECTRIQUE SEULEMENT) (ILLUSTRATION 7)

1. Revérifiez tous les branchements électriques au niveau de la boîte de connexion au pied du lit, assurez-vous que tous les moteurs sont branchés à la bonne prise.
2. Branchez le cordon d'alimentation à une prise de 110 V, 60 Hz, protégée par une mise au neutre fonctionnelle.
3. Placez le support de la commande à un endroit convenable pour l'utilisateur.

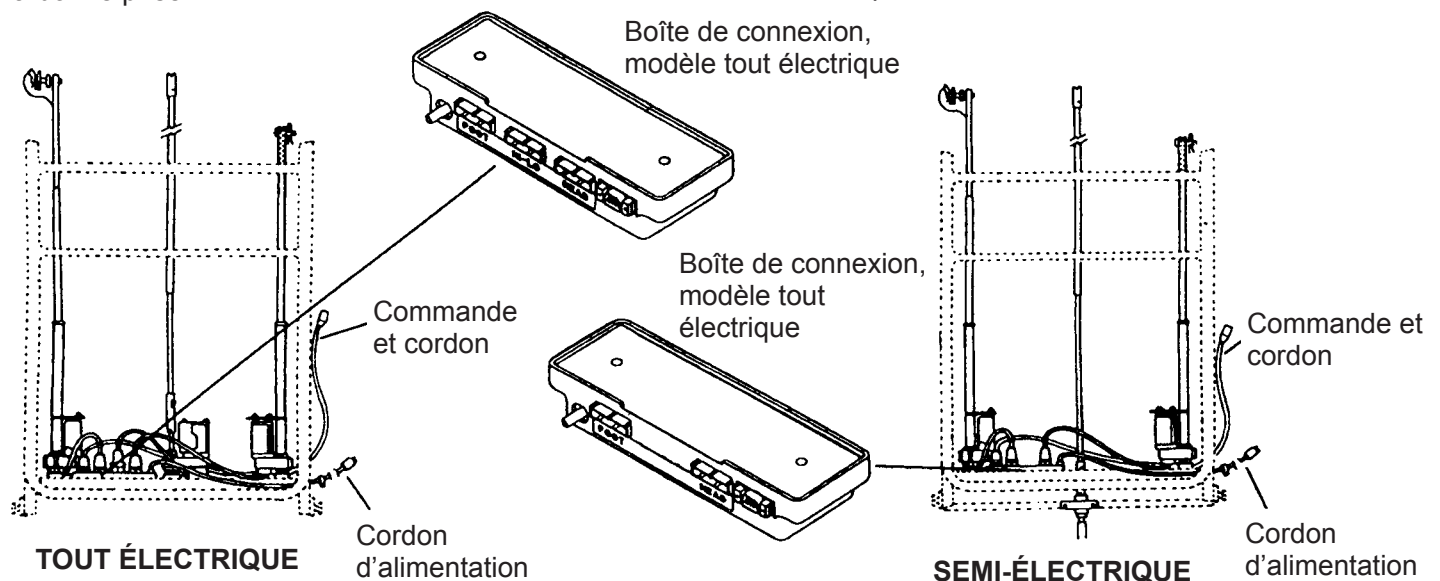


ILLUSTRATION 7 – MISE EN ROUTE DES FONCTIONS (LITS TOUT ÉLECTRIQUE ET SEMI-ÉLECTRIQUE SEULEMENT)

UTILISATION ET AJUSTEMENTS

Ces instructions concernent les modèles suivants :

Tout électrique

Semi-électrique

Manuel

UTILISATION – TOUT ÉLECTRIQUE

1. Les illustrations représentent le modèle tout électrique et permettront à l'utilisateur de se familiariser avec les fonctions et commandes.
2. Essayez toutes les fonctions du lit.
3. Si un problème survient pendant les tests, vérifiez tous les branchements électriques et mécaniques.
4. Le modèle tout électrique possède une commande à six (6) fonctions.
5. Le modèle tout électrique possède une manivelle d'urgence qui permet une utilisation des fonctions même en cas de panne de courant.

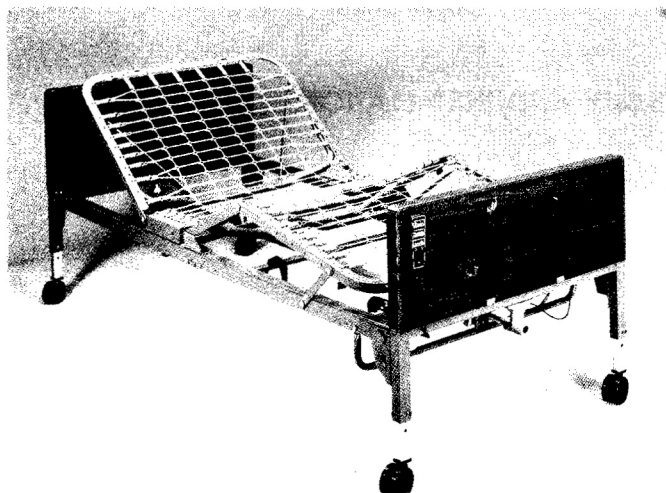
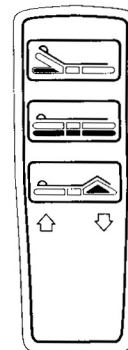


ILLUSTRATION 1 – LIT TOUT ÉLECTRIQUE

Faire monter et descendre le lit entier (lit tout électrique – ILLUSTRATION 2)

FAIRE MONTER LE LIT ENTIER –
LIT TOUT ÉLECTRIQUE

Appuyez sur le bouton
BED UP (lit haut)
tel qu'indiqué sur la
commande pour faire
monter le lit en entier.



FAIRE DESCENDRE LE LIT ENTIER –
LIT TOUT ÉLECTRIQUE

Appuyez sur le bouton
BED DOWN (lit bas)
tel qu'indiqué sur la
commande pour faire
descendre le lit en entier.

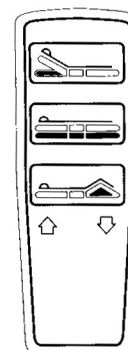


ILLUSTRATION 2 – FAIRE MONTER ET DESCENDRE LE LIT ENTIER (LIT TOUT ÉLECTRIQUE)

UTILISATION ET AJUSTEMENTS

Faire monter et descendre la section de tête ou de pied (modèle tout électrique – ILLUSTRATION 3)

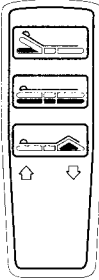
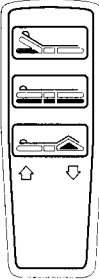
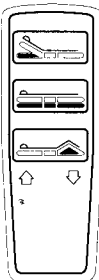
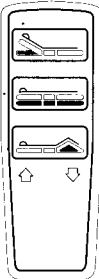
| | |
|--|---|
| <p>FAIRE MONTER LA SECTION DE TÊTE D'UN LIT TOUT ÉLECTRIQUE</p> <p>Appuyez sur le bouton HEAD UP (tête haut) tel qu'indiqué sur la commande. Ceci fera monter la section de tête du sommier.</p> |  |
| <p>FAIRE DESCENDRE LA SECTION DE TÊTE D'UN LIT TOUT ÉLECTRIQUE</p> <p>Appuyez sur le bouton HEAD DOWN (tête bas) tel qu'indiqué sur la commande. Ceci fera descendre la section de tête du sommier.</p> |  |
| <p>FAIRE MONTER LA SECTION DE PIED D'UN LIT TOUT ÉLECTRIQUE</p> <p>Appuyez sur le bouton FOOT UP (pied haut) tel qu'indiqué sur la commande. Ceci fera monter la section de pied du sommier.</p> |  |
| <p>FAIRE DESCENDRE LA SECTION DE PIED D'UN LIT TOUT ÉLECTRIQUE</p> <p>Appuyez sur le bouton FOOT DOWN (pied bas) tel qu'indiqué sur la commande. Ceci fera descendre la section de pied du sommier.</p> |  |

ILLUSTRATION 3 - FAIRE MONTER ET DESCENDRE LA SECTION DE TÊTE OU DE PIED (MODELE TOUT ELECTRIQUE)

MODÈLE SEMI-ÉLECTRIQUE

1. Les illustrations représentent le modèle semi-électrique avec les points de branchement de manivelle pour le Hi/Lo et le pied, selon le cas.
2. Les modèles semi-électriques à une ou deux manivelles avec la fonction Hi/Lo possèdent une commande à quatre (4) fonctions pour les mouvements de tête et de pied, et une manivelle pour régler la hauteur du lit.
3. Les lits semi-électriques à hauteur fixe possèdent les fonctions d'ajustement de la tête et du pied mais la hauteur globale du lit ne peut être ajustée.
4. Considérez les instructions qui s'appliquent à votre modèle de lit particulier.
5. Essayez toutes les fonctions du lit.
6. Si un problème survient pendant les tests, vérifiez tous les branchements électriques et mécaniques.
7. Les modèles semi-électriques possèdent une manivelle d'urgence qui permet une utilisation des fonctions même en cas de panne de courant.

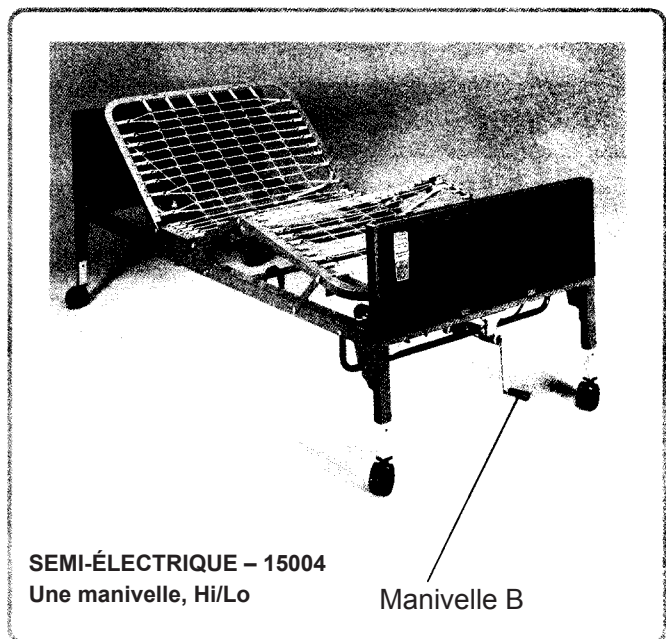


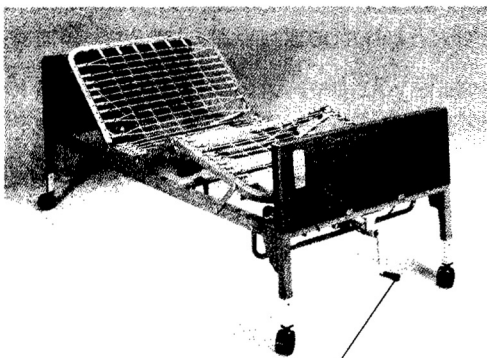
ILLUSTRATION 4 – UTILISATION DES MODÈLES SEMI-ÉLECTRIQUES

UTILISATION ET AJUSTEMENTS

FAIRE MONTER ET DESCENDRE LE LITENTIER (MODÈLES SEMI-ÉLECTRIQUES – ILLUSTRATION 5)

POUR FAIRE MONTER LE LIT SEMI-ÉLECTRIQUE ENTIER

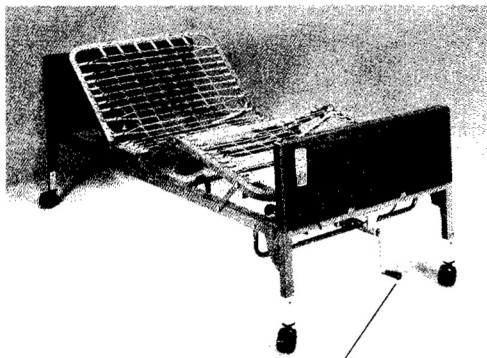
SEMI-ÉLECTRIQUE, UNE MANIVELLE, HI/LO :
Tournez la manivelle B dans le sens horaire pour faire monter le lit en entier.



Manivelle B

POUR FAIRE DESCENDRE LE LIT SEMI-ÉLECTRIQUE ENTIER.

SEMI-ÉLECTRIQUE, UNE MANIVELLE, HI/LO :
Tournez la manivelle « B » dans le sens antihoraire pour faire descendre le lit en entier.



Manivelle B

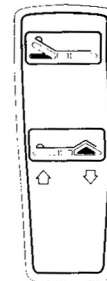
ILLUSTRATION 5 - FAIRE MONTER ET DESCENDRE LE LIT ENTIER (MODELES SEMI-ELECTRIQUES)

FAIRE MONTER ET DESCENDRE LA SECTION DE TÊTE OU DE PIED (MODÈLE SEMI-ÉLECTRIQUE – ILLUSTRATION 6)

POUR FAIRE MONTER LA SECTION DE TÊTE D'UN LIT SEMI-ÉLECTRIQUE

SEMI-ÉLECTRIQUE, UNE MANIVELLE, HI/LO :

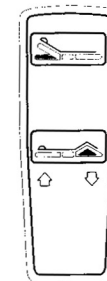
Appuyez sur le bouton HEAD UP (tête haut) tel qu'indiqué sur la commande. Ceci fera monter la section de tête du sommier.



FAIRE DESCENDRE LA SECTION DE TÊTE D'UN LIT SEMI-ÉLECTRIQUE

SEMI-ÉLECTRIQUE, UNE MANIVELLE, HI/LO :

Appuyez sur le bouton HEAD DOWN (tête bas) tel qu'indiqué sur la commande. Ceci fera descendre la section de tête du sommier.



FAIRE MONTER LA SECTION DE PIED D'UN LIT SEMI-ÉLECTRIQUE

SEMI-ÉLECTRIQUE, UNE MANIVELLE, HI/LO :

Appuyez sur le bouton FOOT UP (ped haut) tel qu'indiqué sur la commande. Ceci fera monter la section de pied du sommier.



FAIRE DESCENDRE LA SECTION DE PIED D'UN LIT SEMI-ÉLECTRIQUE

SEMI-ÉLECTRIQUE, UNE MANIVELLE, HI/LO :

Appuyez sur le bouton FOOT DOWN (ped bas) tel qu'indiqué sur la commande. Ceci fera descendre la section de pied du sommier.

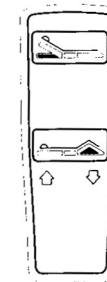


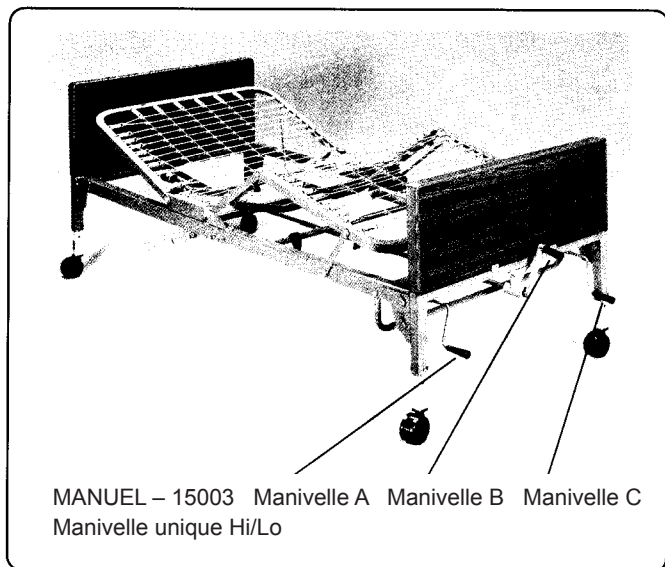
ILLUSTRATION 6 - FAIRE MONTER ET DESCENDRE LA SECTION DE TETE OU DE PIED (MODELE SEMI-ELECTRIQUE, UNE OU DEUX MANIVELLES, HI/LO)

NOTA : Rappelez-vous que lorsqu'un lit électrique ou semi-électrique ne fonctionne pas normalement, vous pouvez utiliser la manivelle d'urgence fournie pour effectuer les ajustements désirés.

UTILISATION ET AJUSTEMENTS

UTILISATION DU LIT MANUEL (ILLUSTRATION 7)

1. Les illustrations représentent les modèles manuels avec les points de branchement de manivelles pour le Hi/Lo, selon le cas.
2. Identifiez votre modèle particulier et apprenez à utiliser ses caractéristiques propres.
3. Essayez toutes les fonctions du lit.
4. Si un problème survient pendant les tests, vérifiez tous les branchements mécaniques.

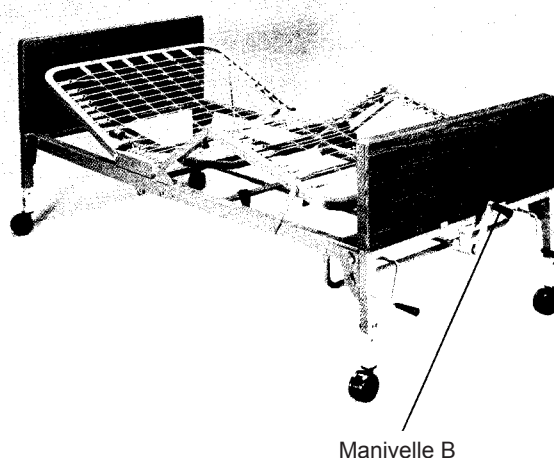


**ILLUSTRATION 7 –
UTILISATION DU LIT MANUEL**

Faire monter et descendre le lit entier (modèle manuel – illustration 8)

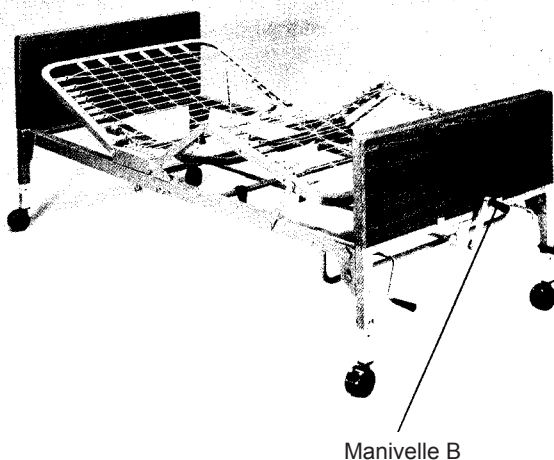
POUR FAIRE MONTER LE LIT ENTIER – LITS MANUELS

MANUEL, MANIVELLE UNIQUE, HI/LO
Tournez la manivelle B dans le sens horaire pour faire monter le lit en entier.



POUR FAIRE DESCENDRE LE LIT ENTIER – LITS MANUELS

MANUEL, MANIVELLE UNIQUE, HI/LO
Tournez la manivelle B dans le sens antihoraire pour faire descendre le lit en entier.



**ILLUSTRATION 8 - FAIRE MONTER ET
DESCENDRE LE LIT ENTIER (LITS MANUELS)**

UTILISATION ET AJUSTEMENTS

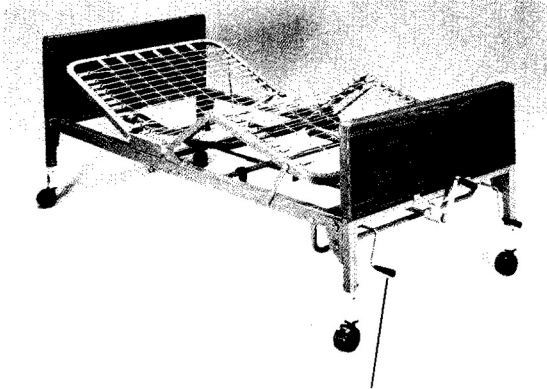
Faire monter et descendre la section de tête
(ILLUSTRATION 9A)

Faire monter et descendre la section de pied
(ILLUSTRATION 9A)

FAIRE MONTER LA SECTION DE TÊTE – LITS MANUELS

MANUEL, MANIVELLE UNIQUE, HI/LO

Tournez la manivelle A dans le sens horaire pour faire monter la portion de tête du lit.

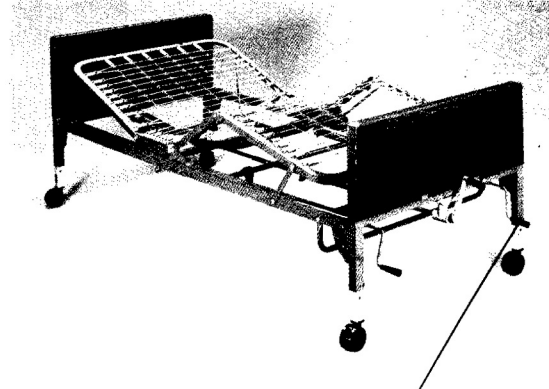


Manivelle A

FAIRE MONTER LA SECTION DE PIED – LITS MANUELS

MANUEL, MANIVELLE UNIQUE, HI/LO

Tournez la manivelle A dans le sens horaire pour faire monter la portion de pied du lit.

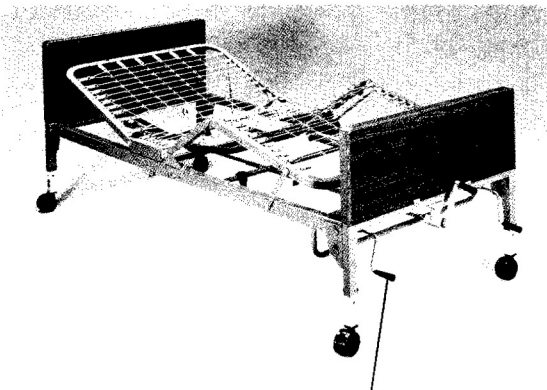


Manivelle C

FAIRE DESCENDRE LA SECTION DE TÊTE – LITS MANUELS

MANUEL, MANIVELLE UNIQUE, HI/LO

Tournez la manivelle A dans le sens antihoraire pour faire descendre la portion de tête du lit.

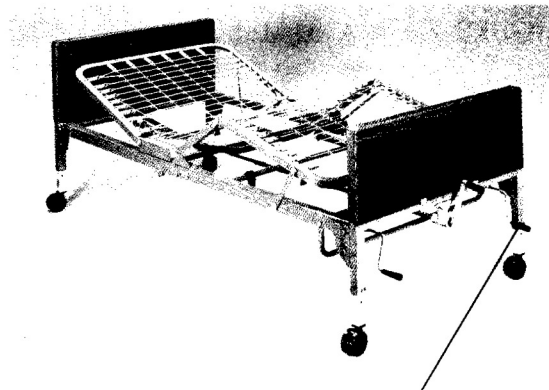


Manivelle A

FAIRE DESCENDRE LA SECTION DE PIED – LITS MANUELS

MANUEL, MANIVELLE UNIQUE, HI/LO

Tournez la manivelle A dans le sens antihoraire pour faire descendre la portion de pied du lit.



Manivelle C

ILLUSTRATION 9A – FAIRE MONTER ET
DESCENDRE LA PORTION DE TÊTE DU LIT

ILLUSTRATION 9A – FAIRE MONTER ET
DESCENDRE LA PORTION DE PIED DU LIT

ENTRETIEN ET VÉRIFICATIONS

Drive recommande aux utilisateurs de procéder à un entretien et un nettoyage périodiques.

ÉLECTRONIQUE

- Vérifiez toutes les commandes pour vous assurer qu'elles fonctionnent normalement.
 - Commande de pied
 - Commande de tête
 - Hi/Lo
- Vérifiez tous les câbles pour vous assurer qu'ils ne sont pas endommagés.
 - Cordon d'alimentation
 - Cordon de la commande manuelle
- Vérifiez que tous les connecteurs sont bien branchés.

Cadre du lit et sommier

- Faites un examen visuel de tous les points de soudure
 - Section de tête
 - Section de pied
 - Cadre principal
- Vérifiez les joints entre les deux sections, notez la présence de joints lâches.

Nettoyage

- Les parties métalliques du lit sont recouvertes d'un revêtement en poudre. Nettoyez toutes les parties traitées à l'aide d'un détergent doux dilué dans de l'eau tiède. Soulevez occasionnellement les sections de tête et de pied et nettoyez la poussière qui peut s'accumuler sur le cadre. Retirez aussi le matelas et nettoyez le sommier.

Lubrification et Mécanique

- Lubrifiez occasionnellement le fil des vis de réglage à l'aide d'une graisse blanche au lithium.
- Lubrifiez toutes les roulettes et les coussinets du mécanisme pivotant à l'aide d'une huile légère pour machine.
- Vérifiez le serrage des boulons et des écrous.

GARANTIE

Garantie à vie sur toutes les soudures.

Garantie de cinq ans sur le cadre.

Garantie d'un an sur toutes les autres pièces et composants.

Pendant la période de couverture de la garantie, les éléments défectueux seront remplacés ou réparés, à sa convenance et sans frais, par Drive.

99 Seaview Boulevard
Port Washington, NY 11050
Phone: 516-998-4600
Fax: 516-998-4601
www.drivemedical.com



Free Manuals Download Website

<http://myh66.com>

<http://usermanuals.us>

<http://www.somanuals.com>

<http://www.4manuals.cc>

<http://www.manual-lib.com>

<http://www.404manual.com>

<http://www.luxmanual.com>

<http://aubethermostatmanual.com>

Golf course search by state

<http://golfingnear.com>

Email search by domain

<http://emailbydomain.com>

Auto manuals search

<http://auto.somanuals.com>

TV manuals search

<http://tv.somanuals.com>