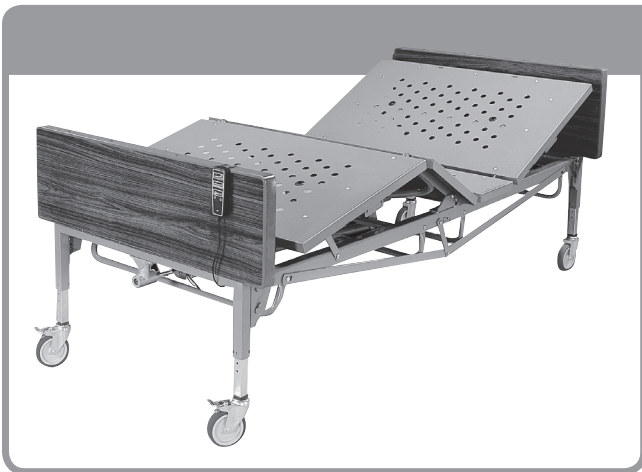


ELECTRIC AND MANUAL BEDS

OWNER'S ASSEMBLY AND OPERATING MANUAL

CAMAS ELÉCTRICAS Y MANUALES
INSTRUCCIONES DE MONTAJE Y MANUAL DE OPERACIÓN

LITS ÉLECTRIQUES ET MANUELS
GUIDE D'ASSEMBLAGE ET D'UTILISATION



15300

Full Electric Bariatric Bed

Cama Bariátrica Totalmente Eléctrica

Lit pour personnes obèses tout électrique



15302

Full Electric Bariatric Bed

Cama Bariátrica Totalmente Eléctrica

Lit pour personnes obèses tout électrique



15303

Full Electric Bariatric Bed

Cama Bariátrica Totalmente Eléctrica

Lit pour personnes obèses tout électrique

drive
MEDICAL DESIGN & MANUFACTURING

PACKAGING/HANDLING

UNPACKING

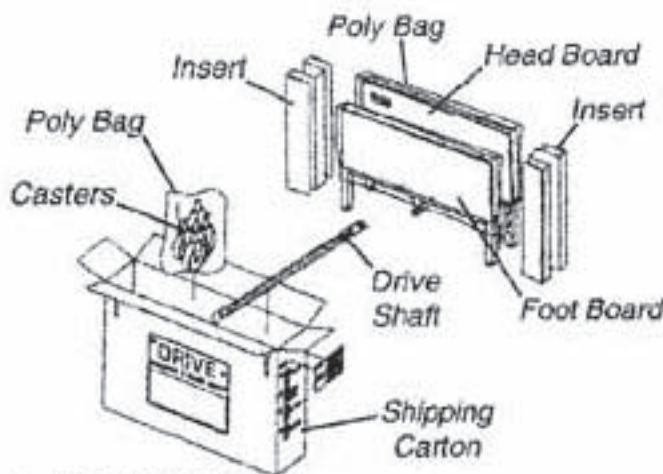
1. Check bed components for any obvious damage to the carton or its contents. If damage is evident, contact your local **DRIVE** dealer.
2. Remove any loose packing from the cartons.
3. Carefully remove all components from the cartons.

CAUTION

DO NOT attempt to operate bed controls prior to completion of assembly as damage to bed components may occur.

The three cartons and contents are as follows;

1. **BED END** carton:
 - One (1) HEADBOARD.
 - One (1) FOOTBOARD.
 - One (1) Drive Shaft Assembly, two-piece.
 - Four (4) Casters (two (2) locking and two (2) non locking casters).



2. **FOOT SPRING** carton:
 - One (1) FOOT SPRING (electric beds include pendant, junction box and cord).
 - One (1) Emergency crank handle.
- Two (2) Frame Support Assemblies.

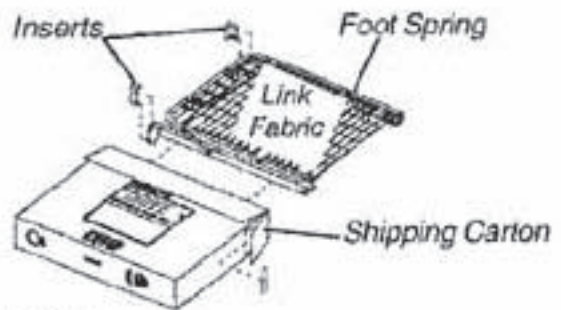
3. **HEAD SPRING** carton:
 - One (1) HEAD SPRING.

INSPECTION

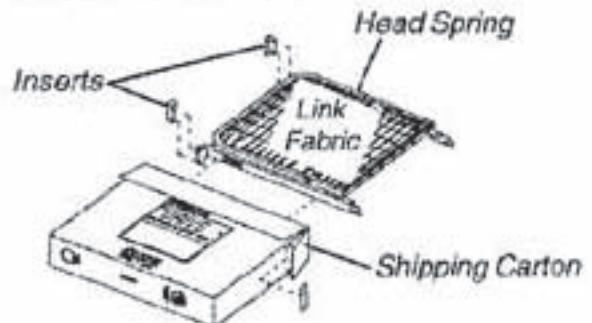
1. Examine each item carefully for scratches, nicks, dents or any other apparent damage.
2. Inspect the power supply cord for cuts or damage to the cord and/or plug.
3. Inspect the junction box for any damage to the connectors.
4. Ensure that the motor plugs are in good working order and fit properly into the junction box.

STORAGE

1. If bed is not to be assembled immediately, retain the cartons and packaging for storage until assembly is to be performed.
2. Store the repackaged bariatric bed in a dry area.
3. **DO NOT** place other objects on top of the repackaged cartons.



NOT Shown:
 Junction Box w/ Cord
 Pendant
 Emergency Crank Handle



This Procedure Includes the following:
 Connecting the Head/Foot Sections
 Connecting the Spring Fabric
 Adjusting and Reconnecting the Head Spring Pull Tube
 Raising the Bed Ends
 Assembling the Bed Ends
 Installing the Casters
 Installing Frame Support Assemblies
 Drive Shaft Assembly and Installation
 Connecting the Head End Motor to the Junction Box
 Activating the Bed Functions

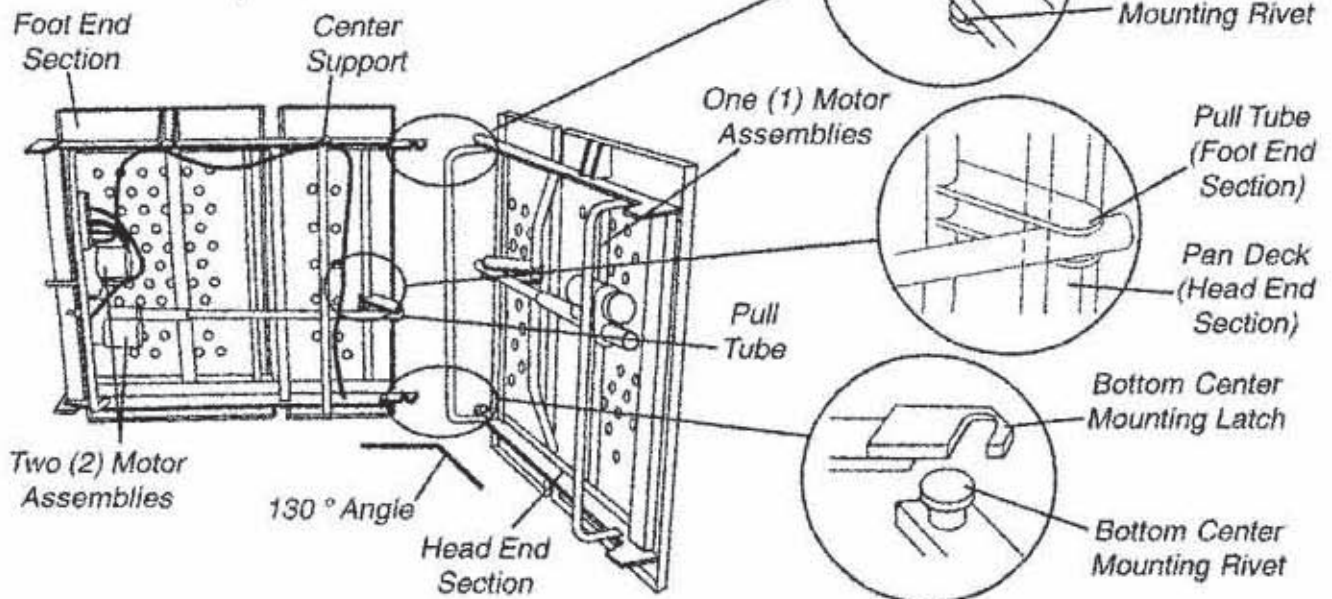
CAUTION
 DO NOT attempt to operate bed controls prior to completion of assembly as damage to bed components or personal injury may occur.

Bariatric Bed ONLY (FIGURE 2)

NOTE: DRIVE recommends that two (2) people perform this procedure.

1. Remove the head end section of the bed from the packaged container and place it on its side to your RIGHT with the center mounting latches to your LEFT.
2. Remove the foot end section of the bed from the packaged container and place it on its side to your LEFT with the center mounting rivets facing to your RIGHT.
3. The bed end section with two (2) motor assemblies (FOOT end section) should be to your LEFT and the bed end section with one (1) motor assembly (HEAD end section) should be to your RIGHT.
4. The head and foot end sections of the bed should now be on their side at a 130° angle to one another.

NOTE: Before connecting the head and foot end sections, make sure the pull tube on the foot end section is positioned on the underside of the pan deck on the head end section.



CAUTION

When assembling the head and foot end sections of the bed, the head end section of the bed should be positioned so that it is at a 130° angle to the foot end section of the bed. Otherwise, the pull tube on the foot end section of the bed will not clear the pan deck of the head end section of the bed and damage may result.

5. Hook the TOP center mounting latch on the HEAD end section of the bed with the TOP center mounting rivet on the FOOT end section of the bed.
6. With one (1) person holding the TOP of the bed together, have the other person hook the BOTTOM center mounting latch on the HEAD end section of the bed with the BOTTOM center mounting rivet on the FOOT end section of the bed.

NOTE: It may be necessary to grasp the center support of the foot end section of the bed so that the BOTTOM center rivet can be maneuvered into the BOTTOM center mounting latch.

NOTE: It may be necessary to slightly lift the head OR foot end sections of the bed to secure the center rivets into the center mounting latches.

7. After the head and foot end sections of the bed are connected, push the ends into a horizontal (straight) position while still on their sides.

RAISING THE BED ENDS (FIGURE 5)

1. The bed legs must now be raised 1/4-inch (.6 cm). This can be accomplished by inserting the manual crank into the foot end gear box receptacle and turning clockwise until the bed end is at the correct height.
2. Insert the crank into the head end receptacle and raise the head end to the correct height.

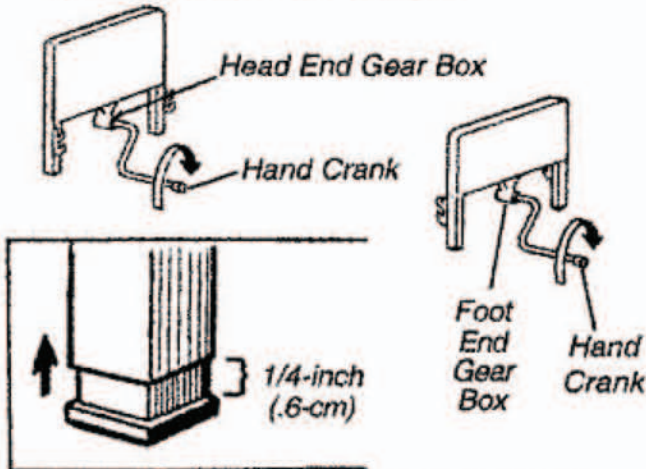


FIGURE 5 - RAISING THE BED ENDS

NOTE: The following procedure applies to ALL beds.
NOTE: Drive recommends that two (2) people perform this procedure for the Bariatric Bed.
NOTE: When connecting the bed ends (headboard and footboard), remember that the headboard is the taller of the two.

1. Stand the headboard as close to the head spring as possible.

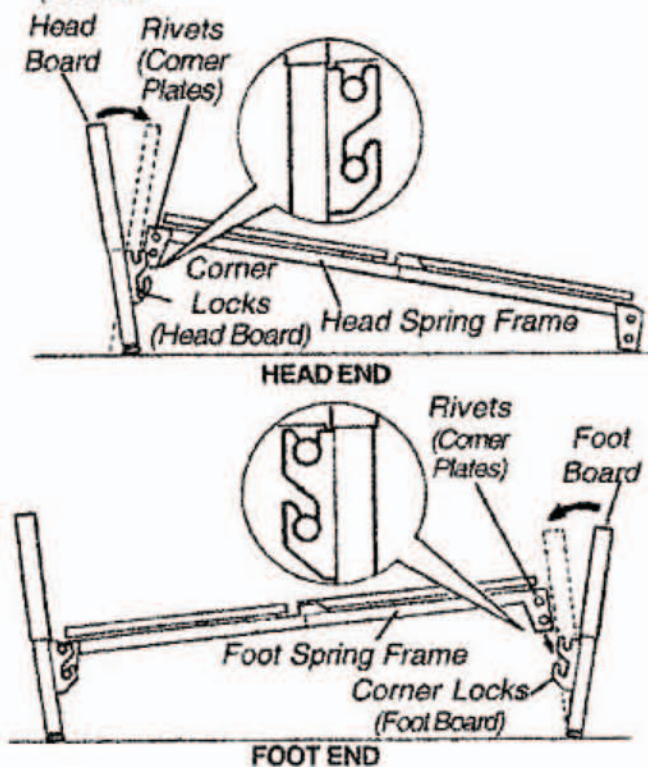


FIGURE 6 - ASSEMBLING THE BED ENDS

2. With one hand, grasp the head spring frame and raise it until the rivets on the corner plates of the spring are at the correct height to fit into the corner locks on the headboard.
3. Tilt the headboard backward slightly and the rivets should slide into the corner locks more easily.
4. When the headboard is returned to its full upright position, the headboard will lock into place.
5. Repeat the same procedure for the footboard.

WARNING

The proper casters are provided with the Bariatric Bed. **DO NOT** use any other casters with the Bariatric Bed. Otherwise, Injury or damage may result.

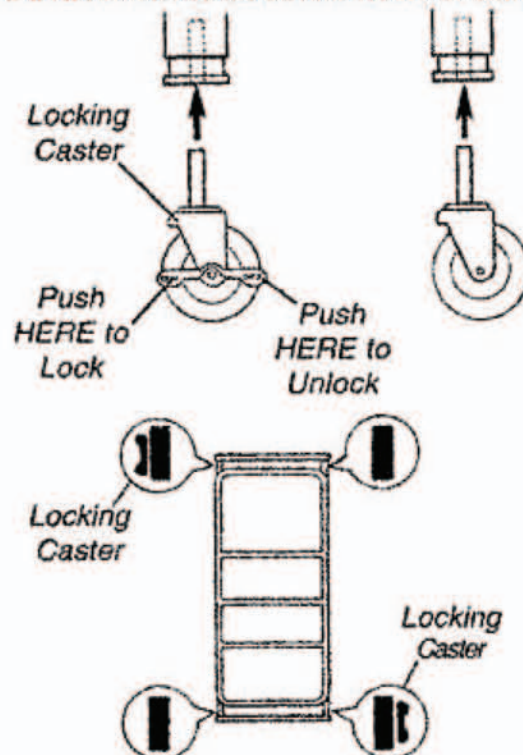
NOTE: Position the two (2) locking casters diagonally opposite from one another.

NOTE: If two (2) locking casters are NOT included with the bed, contact a qualified dealer.

1. Install casters by carefully lifting the bed ends approximately 5-inches (12.7 cm) from the floor and insert the shaft of caster assembly into the caster socket.
2. To prevent excess movement of the bed, lock each of the two (2) locking casters by pushing DOWN on the side of the caster lock that is labeled ON.

NOTE: Locking the casters may NOT prevent the bed from moving on slick or slippery surfaces.

3. To unlock each of the two (2) locking casters, push DOWN on the side of the caster lock that is labeled OFF.



ASSEMBLY

INSTALLING FRAME SUPPORT ASSEMBLIES

WARNING

The frame support assemblies **MUST** be securely fastened to the bed frame **BEFORE** use. Otherwise, injury or damage may result.

NOTE: Two (2) people are required when performing this procedure.

1. Unfold one (1) frame support assembly so that the center mounting bracket is in the middle and the two (2) side support mounting brackets are on either side (DETAIL "A").
2. Position the LARGE mounting hole on one (1) side of the support mounting bracket over the rivet near the HEAD end section of the bed.
3. Pull the frame support assembly toward the FOOT end section of the bed until the rivet near the HEAD end section of the bed slides into the SMALL mounting hole in the side support bracket.

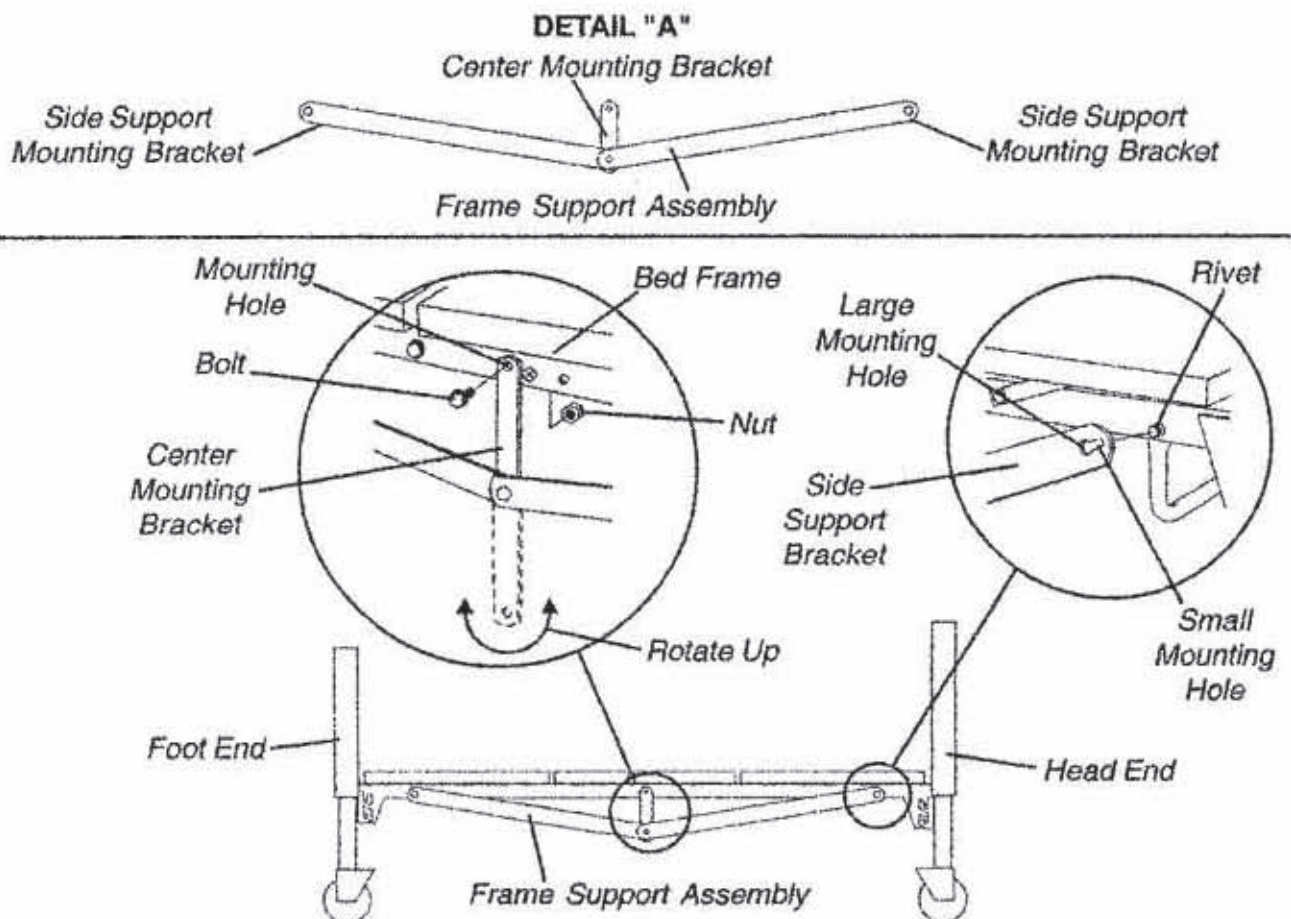
4. While performing STEP 3, position the LARGE mounting hole in the opposite frame support bracket over the rivet near the FOOT end section of the bed.
5. Allow the frame support assembly to hang from the two (2) rivets.

NOTE: Make sure the two (2) rivets on either side of the bed are positioned in the two (2) SMALL mounting holes in the frame support assemblies.

6. Rotate the center mounting bracket until the mounting hole aligns with the mounting hole in the side of the bed frame.

NOTE: It may be necessary to lift up on the side of the bed frame so that the mounting holes in the center mounting bracket align with the mounting holes in the bed frame assembly.

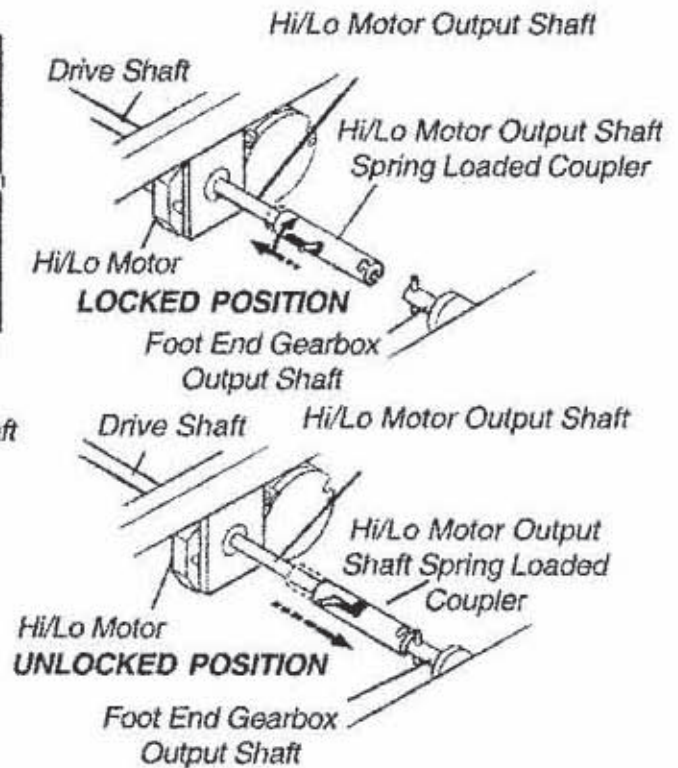
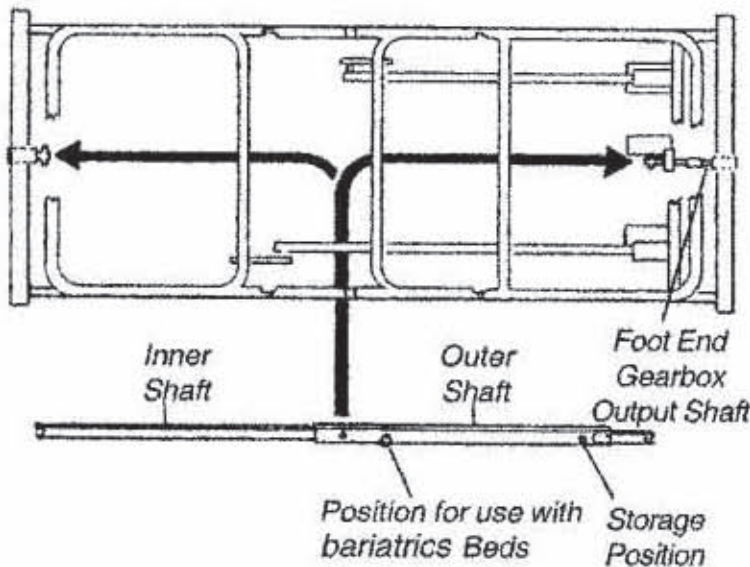
7. Install the bolt through the mounting hole in the center mounting bracket and through the mounting hole in the bed frame assembly. Securely tighten with the bolt.
8. Repeat STEPS 1-7 for the opposite frame support assembly.



DRIVE SHAFT ASSEMBLY AND INSTALLATION

The drive shaft is composed of two (2) sections. The inner shaft which has a positioning spring button, and the outer shaft, which has two (2) positioning holes and one (1) storage position hole. Together they make the telescoping drive shaft used on the bariatrics beds.

1. Remove the plastic caps from each end of the drive rod.
2. Depress spring button on the inner shaft and insert the inner shaft into the outer shaft.
3. Slide the inner shaft to the desired position for the type of bed being used and engage the spring button into the proper positioning hole.
4. Engage the spring button in to the positioning hole in the outer shaft.
5. Connect the drive shaft to the bed by attaching either end of the drive shaft to the head end gear box.
6. Connect the other end to the Hi/Lo motor output shaft and then connect the foot end gearbox output shaft to the Hi/Lo motor output shaft spring-loaded coupler.
7. Release the drive shaft spring-loaded coupler by pushing in against the spring-loaded coupler and turn it clockwise.
8. Release the Hi/Lo motor output shaft spring-loaded coupler to properly it connect with the foot end gear box output shaft by pushing in against the Hi/Lo motor output shaft spring-loaded coupler and turning it clockwise.
9. The coupling will release and engage the foot end output shaft.
10. Ensure that all components are securely installed.



CONNECTING THE HEAD END MOTOR TO THE JUNCTION BOX

WARNING

The head motor connection cord **MUST** be properly positioned in the four (4) head motor connection cord supports on the underside of the bed frame **BEFORE** use. Otherwise, injury or damage may result.

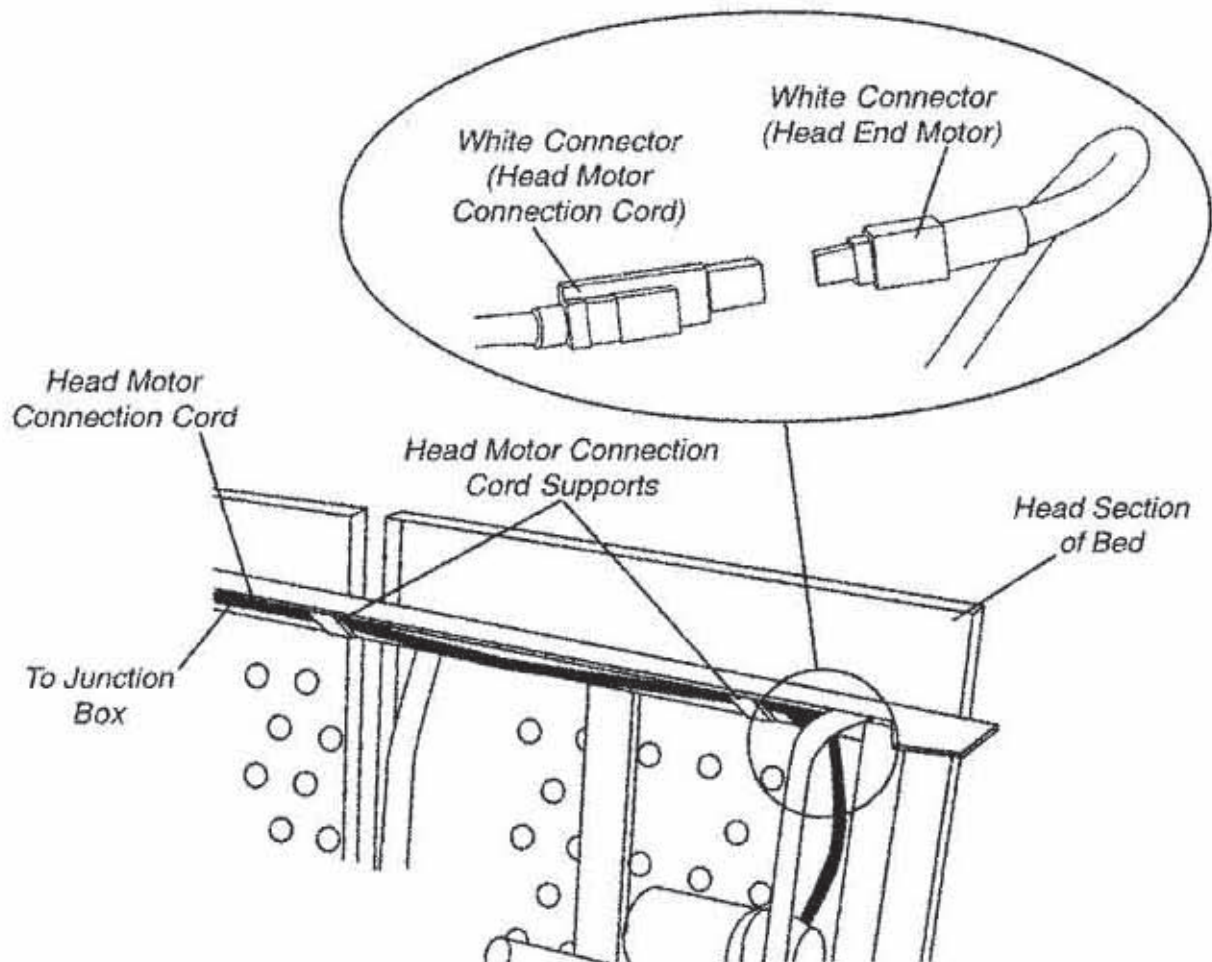
A
S
S
E
M
B
L
Y

NOTE: To disconnect the head end motor from the junction box, reverse the following steps.

1. Locate the head motor connection cord that connects the junction box to the head end motor.

NOTE: The Bariatric Bed is shipped with the head motor connection cord positioned in the head motor connection cord supports on the foot end section of the bed.

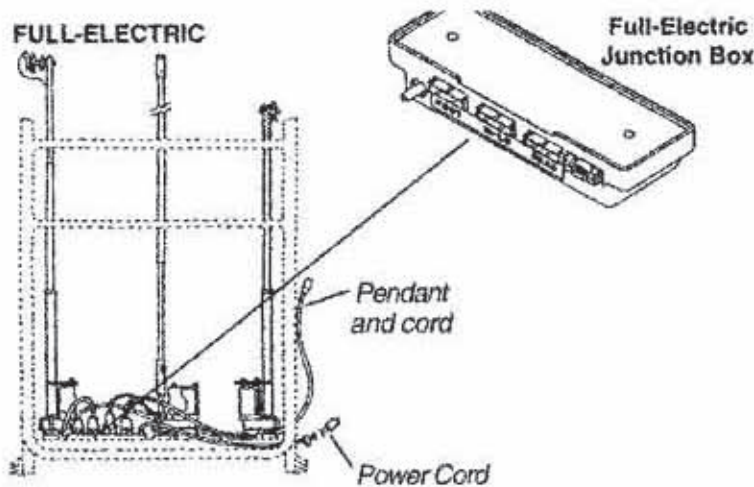
2. Locate the two (2) head motor connection cord supports on the head end section of the bed.
3. Feed the head motor connection cord through the two (2) head motor connection cord supports.
4. Connect the **WHITE** connector of the head motor connection cord to the **WHITE** connector of the head end motor.



CONNECTING THE HEAD END MOTOR TO THE JUNCTION BOX

ACTIVATING THE BED FUNCTIONS

1. Recheck all electrical connections on junction box at foot end ensuring that all motors are plugged into the correct locations.
2. Plug the junction box cord into a properly grounded 110-volt, 60 cycle outlet.



ACTIVATING THE BED FUNCTIONS

INSTALLING/REMOVING CONNECTORS INTO/FROM THE JUNCTION BOX

Installing

WARNING

Before installing the connector into the junction box, be sure the locking tab is facing **DOWNWARD** - otherwise, injury or damage may occur.

1. Grasp the connector and position it so the locking tab is facing **DOWNWARD** (FIGURE 1).

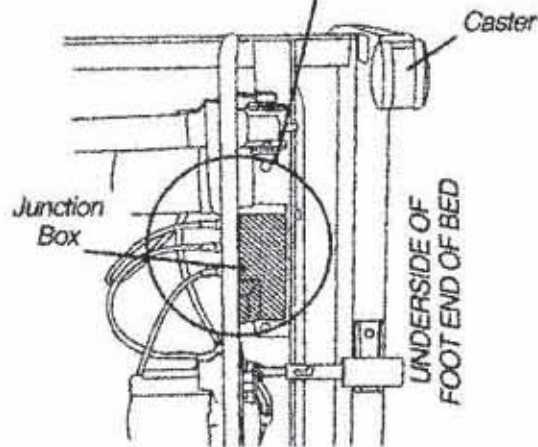
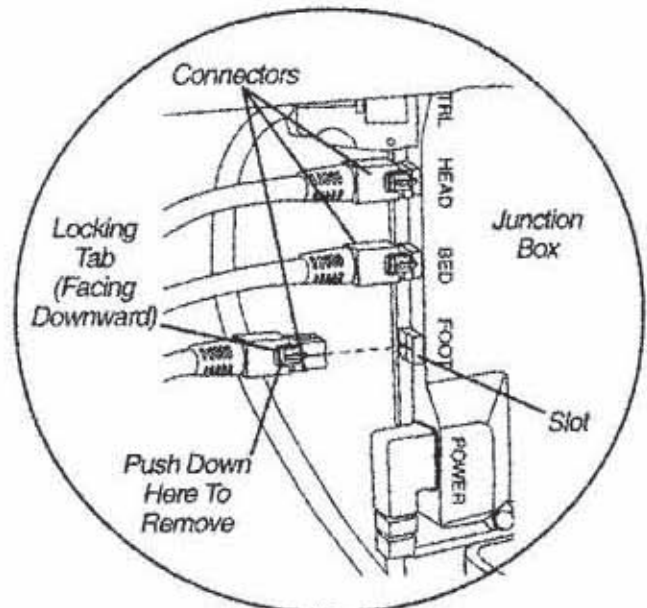
WARNING

DO NOT force the connector into the junction box, otherwise - injury or damage may occur.

2. Gently, push the connector into the appropriate slot on the junction box until it locks into place and an audible "click" is heard (FIGURE 1).
3. If the connector **DOES NOT** slide easily into the slot on the junction box, check to make sure the locking tab is facing **DOWNWARD** and repeat STEP 2.

Removing

1. Push down on the end of the locking tab on the connector.
2. While performing STEP 1, pull the connector away from the junction box.

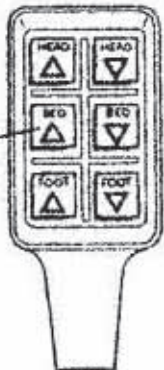
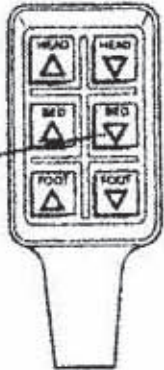


INSTALLING/REMOVING CONNECTORS INTO/FROM THE JUNCTION BOX

BARIATRIC BED OPERATION

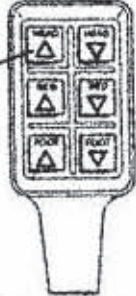
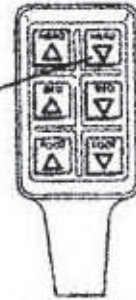
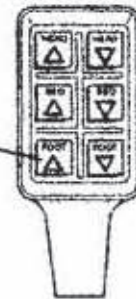
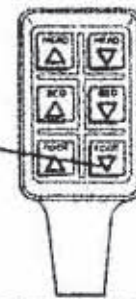
1. The accompanying pictures detail the bariatric beds and will acquaint the user with the bed functions and controls.
2. Operate the bed through all phases of its operation.
3. If any problems arise during test, recheck all electrical connections and mechanical hook ups.
4. Bariatrics beds use a six (6) function pendant for all bed operation.
5. All Bariatrics beds come with an emergency crank to allow continued operation in the event of a power outage.

Raising and Lowering the Entire Bed

TO RAISE ENTIRE BED
<p>Depress button "BED UP" as shown on pendant control. This will raise the entire height of the bed.</p> 
TO LOWER ENTIRE BED
<p>Depress button "BED DOWN" as shown on pendant control. This will lower the entire height of the bed.</p> 

RAISING AND LOWERING THE ENTIRE

Raising and Lowering the Head and Foot Sections

TO RAISE THE HEAD SPRING SECTION
<p>Depress button "HEAD UP" as shown on pendant control. This will raise the head portion of the bed ONLY.</p> 
TO LOWER THE HEAD SPRING SECTION
<p>Depress button "HEAD DOWN" as shown on pendant control. This will lower the head portion of the bed ONLY.</p> 
TO RAISE THE FOOT SPRING SECTION
<p>Depress button "FOOT UP" as shown on pendant control. This will raise the foot portion of the bed ONLY.</p> 
TO LOWER THE FOOT SPRING SECTION
<p>Depress button "FOOT DOWN" as shown on pendant control. This will lower the foot portion of the bed ONLY.</p> 

RAISING AND LOWERING THE HEAD AND FOOT SECTIONS

MAINTENANCE AND SAFETY CHECKS

Drive recommends the following maintenance and cleaning procedures be conducted between users.

ELECTRONICS

- Check all controls to make sure all functions work properly.
 - Foot control
 - Head control
 - Hi/LO
- Check all cables for damaged or frayed wires.
 - Power cord
 - Pendant cord
- Check to make sure all plugs are fully inserted or attached.

Bed frame and sleeping surface

- Visually check all welds
 - Head section
 - Foot section
 - Main Frame
- Check joints between sleeping surface sections for loose fasteners.

Cleaning

- The metal parts of the bed are covered with a powder coating. Clean all coated parts with mild detergent and warm water. Periodically raise head and feet sections of the bed and remove dust from frame. Also, periodically remove mattress and clean mattress deck.

Lubrication and Mechanical

- Lightly grease all actuator screw threads with white lithium grease.
- Lubricate all caster roller and swivel bearings with light machine oil.
- Check all bolts and tighten as needed.

WARRANTY

Lifetime warranty on welds.

Five year warranty on frame.

One year warranty on all other parts and components.

During the warranty period, defective items will be repaired or replaced at Drive's option at no charge.

EMPAQUE/ MANEJO

DESEMPACANDO EL PRODUCTO

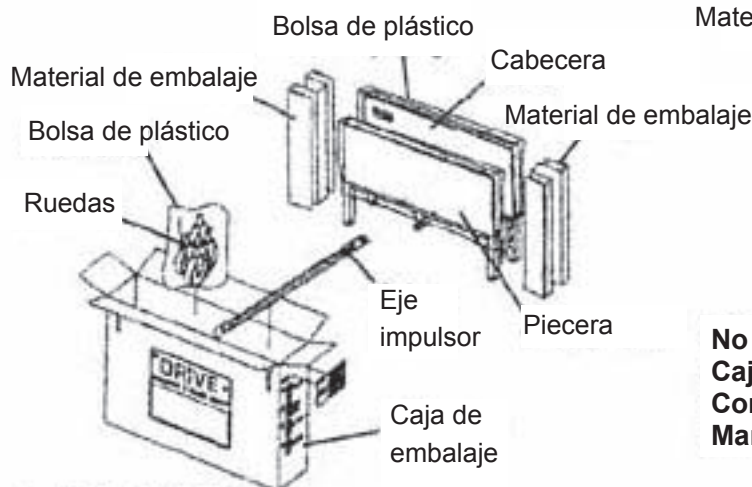
1. Verifique que los componentes o la caja de la cama no estén dañados. Si detecta daños, póngase en contacto con su distribuidor local DRIVE.
2. Retire cualquier empaque suelto de las cajas.
3. Saque cuidadosamente todos los componentes de las cajas.

PRECAUCIÓN

NO trate de activar los controles de la cama antes de terminar el montaje ya que esto puede dañar los componentes de la cama.

El contenido de las tres cajas es el siguiente:

1. Caja de los EXTREMOS DE LA CAMA:
Una (1) CABECERA.
Una (1) PIECERA.
Un (1) montaje de eje impulsor, dos piezas.
Cuatro (4) ruedas (dos (2) con candado y dos (2) sin candado).



2. Caja del TAMBOR DE RESORTE DE LA PIECERA:
Un (1) TAMBOR DE RESORTE DE LA PIECERA (camas eléctricas incluyen control remoto, caja de conexiones y cable).
Una (1) manivela de emergencia.
Dos (2) montajes del armazón de soporte

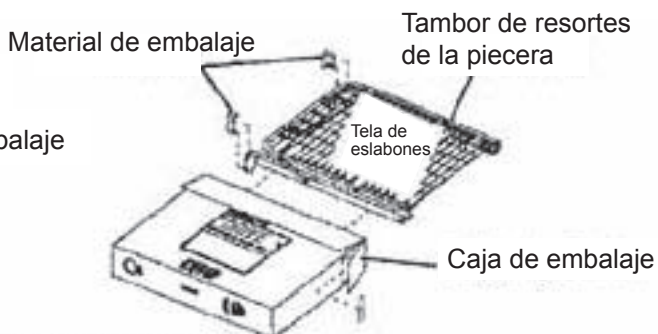
3. Caja de la CABECERA:
Un (1) tambor de resortes de la cabecera.

INSPECCIÓN

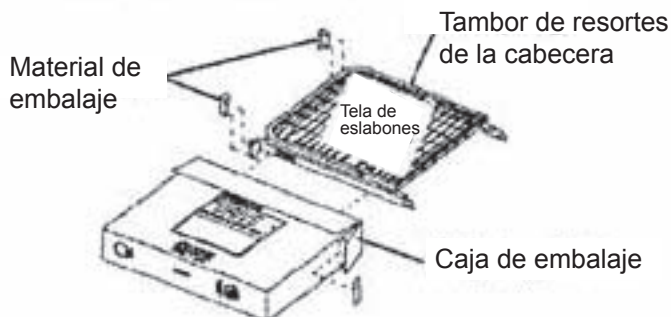
1. Examine cuidadosamente cada artículo para verificar que no existan ralladuras, hendiduras, dobleces o cualquier otro tipo de daño.
2. Inspeccione el cable de fuente de energía para verificar que el cable y/o enchufe no estén dañados.
3. Inspeccione la caja de conexiones para verificar que los conectores no estén dañados.
4. Asegúrese que los enchufes del motor estén en buenas condiciones de trabajo y que encajen adecuadamente dentro de la caja de conexiones.

ALMACENAJE

1. Si no va a armar la cama inmediatamente, conserve las cajas y el empaque durante el almacenaje hasta que realice el montaje.
2. Almacene la cama bariátrica completamente empacada en un área seca.
3. NO coloque otros objetos sobre las cajas empacadas.



No se muestra en la figura:
Caja de conexiones con cable
Control remoto
Mango de manivela de emergencia



PROCEDIMIENTO 1

Este procedimiento incluye lo siguiente:

- Conectando las secciones de la cabecera/ piecera
- Conectando la tela de eslabones
- Ajustando y volviendo a conectar el tubo de tiro del tambor de resortes de la cabecera
- Levantando los extremos de la cama
- Montando los extremos de la cama
- Instalando las ruedas
- Instalando el armazón de apoyo
- Montaje e instalación del eje impulsor
- Conectando el motor de la cabecera a la caja de conexiones
- Activando las funciones de la cama

PRECAUCIÓN

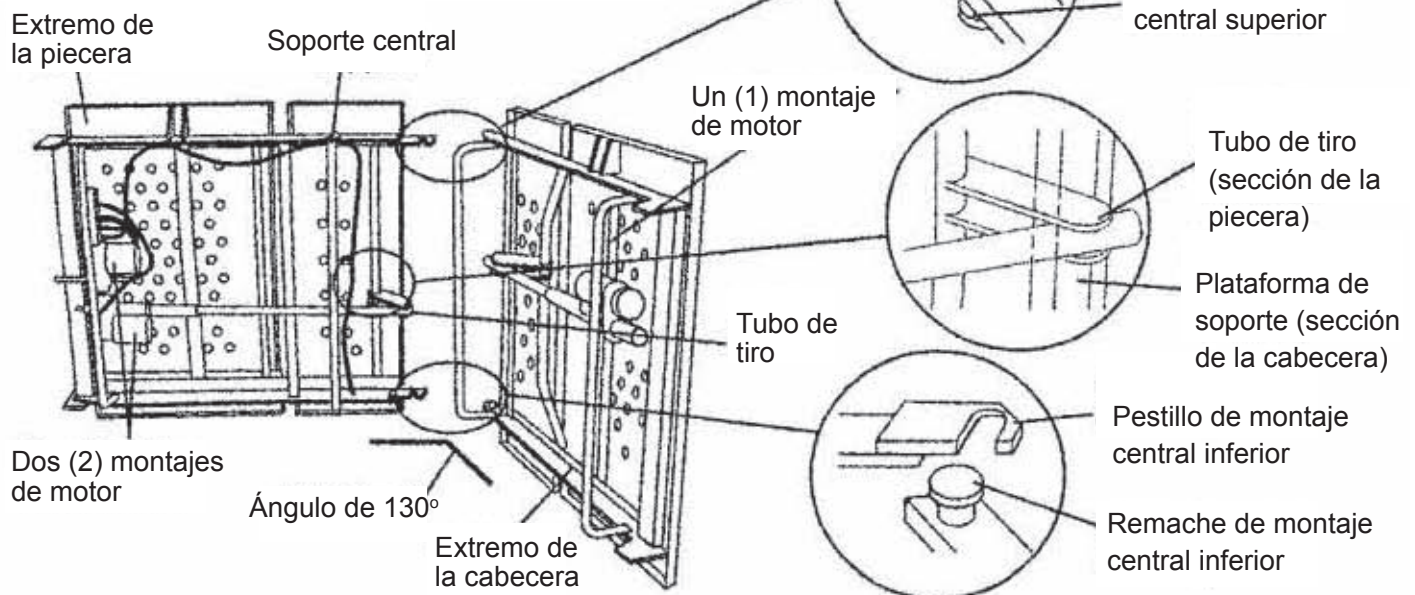
NO trate de activar los controles de la cama antes de terminar el montaje ya que esto puede dañar los componentes de la cama o se pueden presentar lesiones personales.

SOLO para cama bariátrica (FIGURA 2)

NOTA: DRIVE recomienda que este procedimiento se realice por dos (2) personas.

1. Saque la sección de la cabecera de su empaque y colóquelo de costado a su DERECHA con los pestillos de montaje centrales hacia su IZQUIERDA.
2. Saque la sección de la piecera de su empaque y colóquelo de costado a su IZQUIERDA con los remaches de montaje centrales hacia su DERECHA.
3. La sección de la cama con dos (2) montajes de motor (sección de la PIECERA) debe de estar a su IZQUIERDA y la sección de la cama con un (1) montaje de motor (sección de la CABECERA) debe estar a su DERECHA.
4. Las secciones de la cabecera y piecera deben estar de costado a un ángulo de 130o entre sí.

NOTA: Antes de conectar las secciones de la cabecera y piecera asegúrese que el tubo de tiro en el extremo de la cama que apunta hacia el piso esté colocado en el lateral de la plataforma de la bandeja en la sección de la cabecera.



PRECAUCIÓN

Cuando esté montando las secciones de la cabecera y piecera, el extremo de la cabecera de la cama debe estar colocado de manera que forme un ángulo de 130o con la sección de la piecera de la cama. De no ser así, el tubo de tiro del extremo de la piecera de la cama no librará la plataforma de soporte de la sección de la cabecera y puede dañarse la unidad.

5. Enganche la parte SUPERIOR del pestillo de montaje central sobre el extremo de la CABECERA con el remache de montaje central sobre la sección de la PIECERA.

6. Con una (1) persona uniendo la parte SUPERIOR de la cama, pida a la otra persona que enganche el pestillo de montaje central INFERIOR sobre la sección de la CABECERA con el remache de montaje central sobre la sección de la PIECERA de la cama.

NOTA: Tal vez sea necesario sujetar el soporte central de la sección de la piecera de la cama de manera que el remache central INFERIOR pueda ser maniobrado dentro del pestillo de montaje central INFERIOR.

NOTA: Puede ser necesario tener que levantar levemente las secciones de la cabecera O piecera para asegurar los remaches centrales dentro de los pestillos de montaje centrales.

7. Después que las secciones de la cabecera y piecera estén conectadas, presione los extremos para colocarlos en una posición horizontal (recta) con la cama todavía de costado.

LEVANTANDO LOS EXTREMOS DE LA CAMA (FIGURA 5)

1. Ahora, las patas de la cama deben levantarse $\frac{1}{4}$ de pulgada (0.6 cm). Esto lo puede lograr al introducir la manivela manual dentro de la caja de engranes y girarla en sentido de las manecillas del reloj hasta que los extremos de la cama estén a la altura correcta.
2. Introduzca la manivela dentro del receptáculo de la cabecera y levante el extremo de la cabecera a la altura correcta.

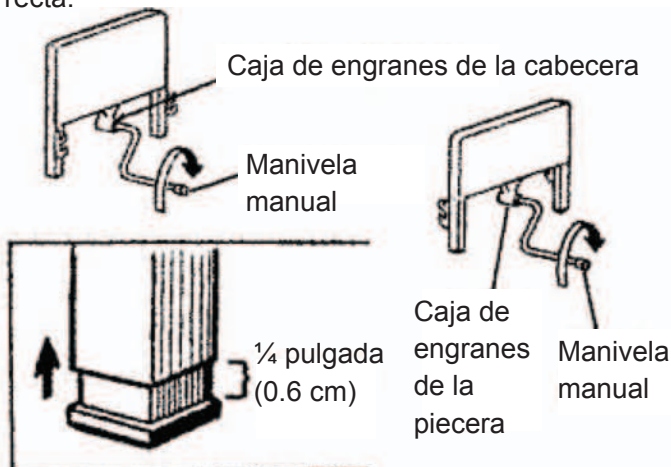
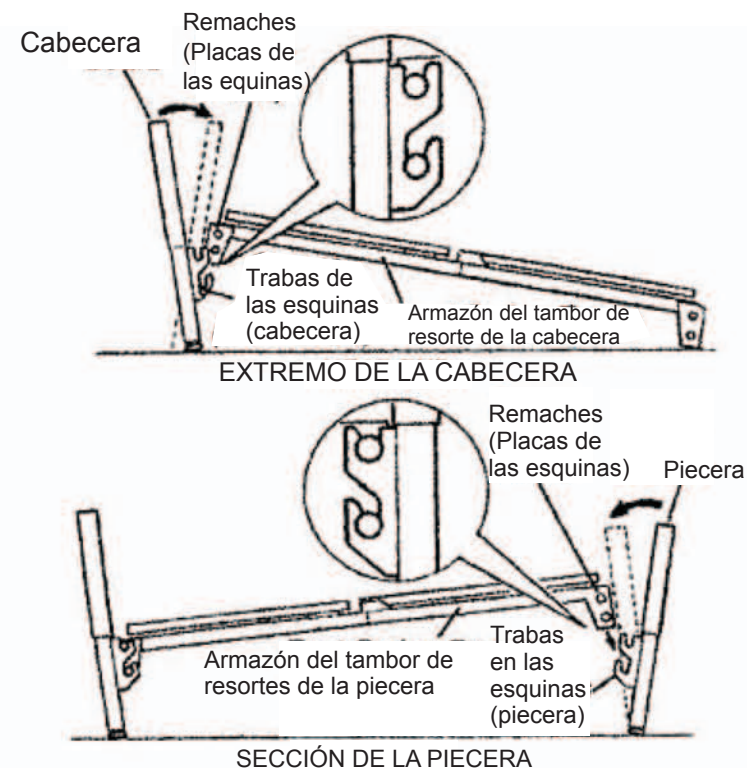


FIGURA 5 - LEVANTANDO LOS EXTREMOS DE LA CAMA

- NOTA: Los siguientes procedimientos se aplican a TODAS las camas.
- NOTA: DRIVE recomienda que este procedimiento para la cama bariátrica se realice por dos (2) personas.
- NOTA: Cuando esté conectando los extremos de la cama (cabecera y piecera), recuerde que la cabecera es la más alta.
1. Pare la cabecera lo más cerca posible del tambor de resortes de la cabecera.



2. Con una mano, agarre el armazón del tambor de resorte de la cabecera y levántelo hasta que los remaches en las esquinas del tambor estén a la altura correcta para introducirse dentro de las trabas de las esquinas de la cabecera.
3. Incline levemente la cabecera hacia atrás y los remaches deberán deslizarse dentro de las trabas de las esquinas más fácilmente.
4. Cuando regrese la cabecera a su posición vertical, la cabecera se asegurará en su lugar.
5. Repita el mismo procedimiento para la piecera.

ADVERTENCIA

La cama bariátrica cuenta con las ruedas adecuadas para su uso. NO utilice ningún otro tipo de ruedas con la cama bariátrica. El no hacerlo puede ocasionar lesiones o daños.

NOTA: Coloque las dos (2) ruedas con candado diagonalmente y opuestas entre sí.

NOTA: Si las dos (2) ruedas con candado NO están incluidas con su cama, póngase en contacto con un distribuidor calificado.

1. Para instalar las ruedas levante cuidadosamente los extremos de la cama, aproximadamente 5 pulgadas (12.7 cm) del suelo, e introduzca la flecha del montaje de las ruedas dentro del receptáculo de las ruedas.
 2. Para evitar el movimiento excesivo de la cama, ponga el candado a las dos (2) ruedas con candado al presionar hacia ABAJO el candado ubicado en el lado de la rueda y que tiene la leyenda "ON" (activado).
- NOTA: El poner el candado en las ruedas NO evitará que la cama se mueva sobre superficies muy lisas o resbalosas.
3. Para quitar el candado de las dos (2) ruedas, presione hacia ABAJO en la parte lateral del candado de la rueda que tiene la leyenda "OFF" (desactivado).

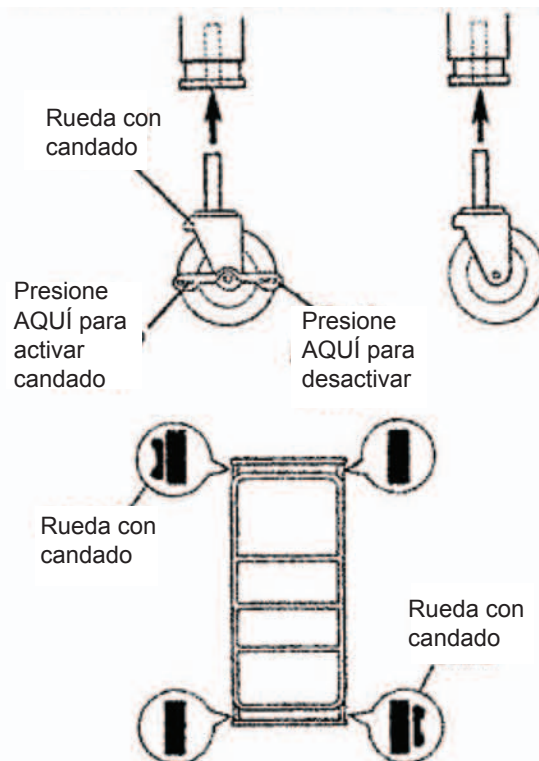


FIGURA 6 – ENSAMBLANDO LOS EXTREMOS DE LA CAMA

INSTALANDO EL MONTAJE DEL ARMAZÓN DE SOPORTE DE SOPORTE

ADVERTENCIA

El montaje del armazón de soporte DEBE estar bien asegurado al armazón de la cama ANTES de su uso. El no hacerlo puede ocasionar lesiones o daños.

NOTA: Se requieren dos (2) personas para llevar a cabo este procedimiento.

1. Desdoble un (1) montaje de armazón de soporte de manera que el soporte esté en el medio y que los dos (2) soportes laterales estén en cualquier lado (DETALLE "A").
2. Coloque el orificio de montaje GRANDE sobre un (1) lado del soporte de montaje sobre el remache cerca de la sección de la CABECERA de la cama.
3. Jale el soporte del armazón hacia la sección de la PIECERA hasta que el remache esté cerca de la sección de la CABECERA y se deslice dentro del orificio de montaje PEQUEÑO en el soporte lateral.

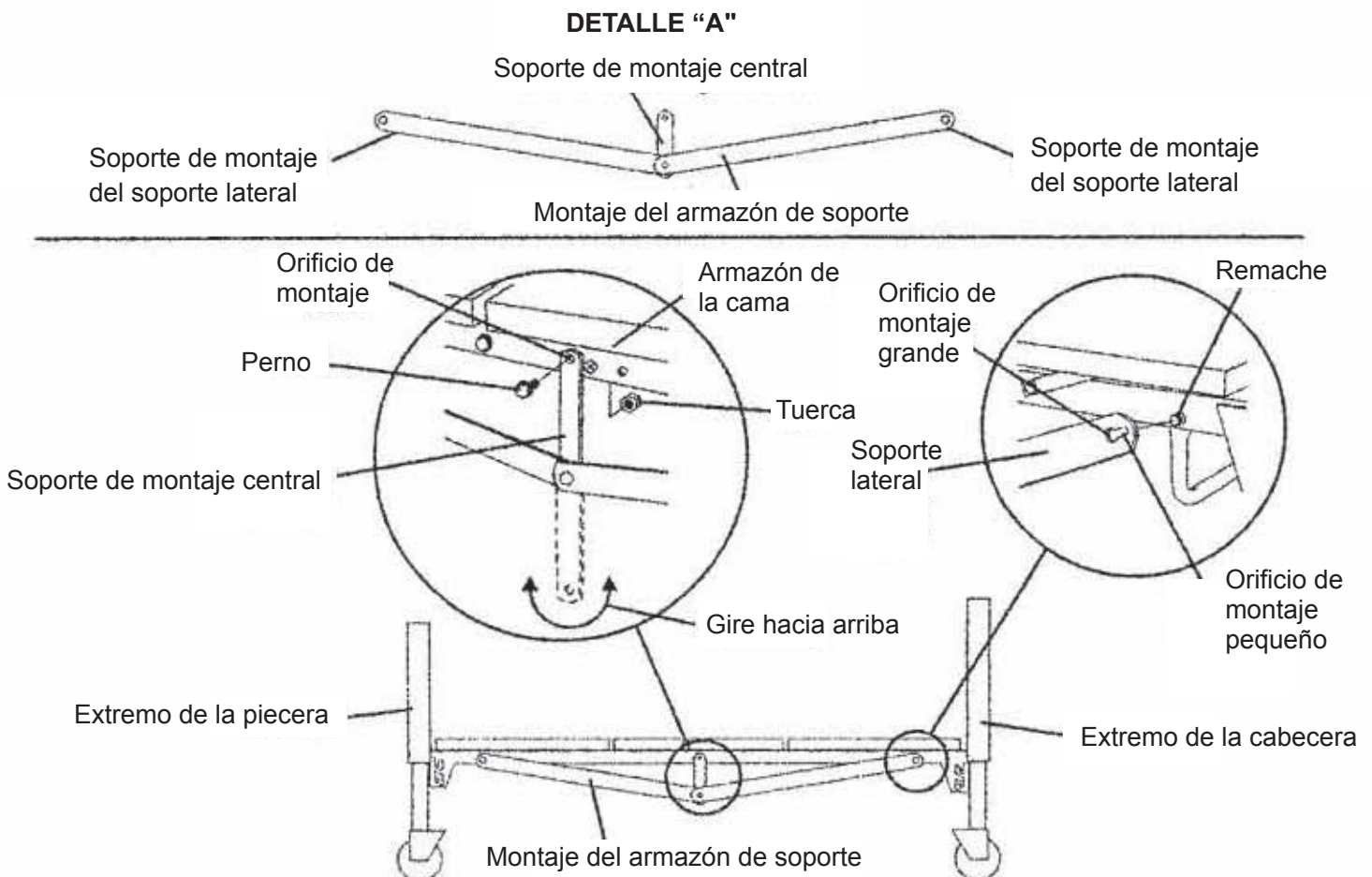
4. Mientras está realizando el PASO 3, coloque el orificio de montaje GRANDE en el soporte opuesto del armazón de montaje, sobre el remache cerca de la sección de la PIECERA de la cama.
5. Permita que el montaje del armazón cuelgue de los dos (2) remaches.

NOTA: Asegúrese que los dos (2) remaches de los dos lados de la cama estén posicionados dentro de los dos (2) orificios PEQUEÑOS del soporte del armazón.

6. Gire el soporte de montaje central hasta que el orificio de montaje este alineado con el orificio lateral del armazón de la cama.

NOTA: Tal vez sea necesario levantar un lado del armazón de la cama para que los orificios del soporte de montaje central estén alineados con los orificios de montaje del armazón de la cama.

7. Instale el perno a través del orificio del soporte de montaje central y a través del orificio de montaje del armazón de la cama. Apriete el perno de manera segura.
8. Repita los PASOS 1 a 7 para el otro lado del soporte del armazón.

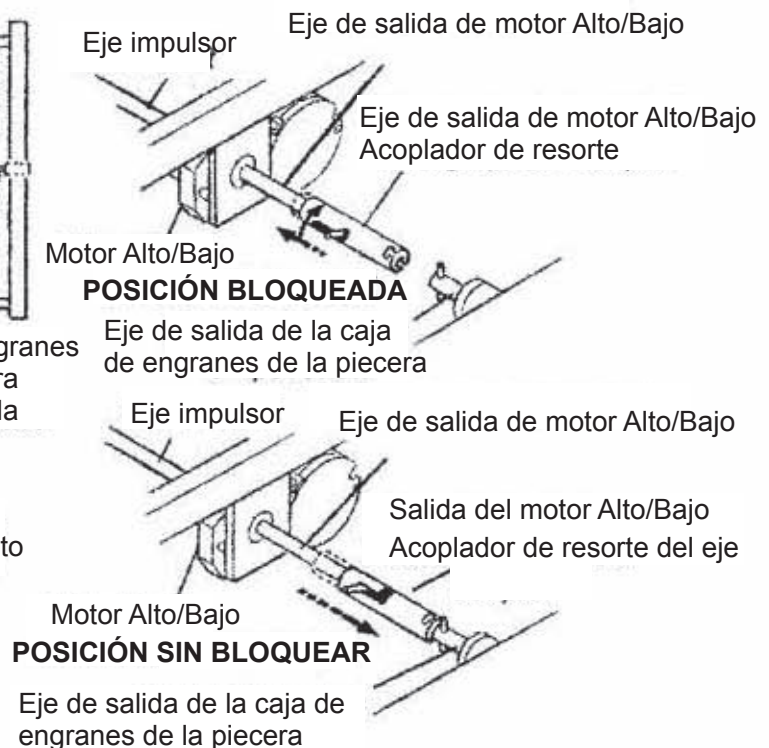
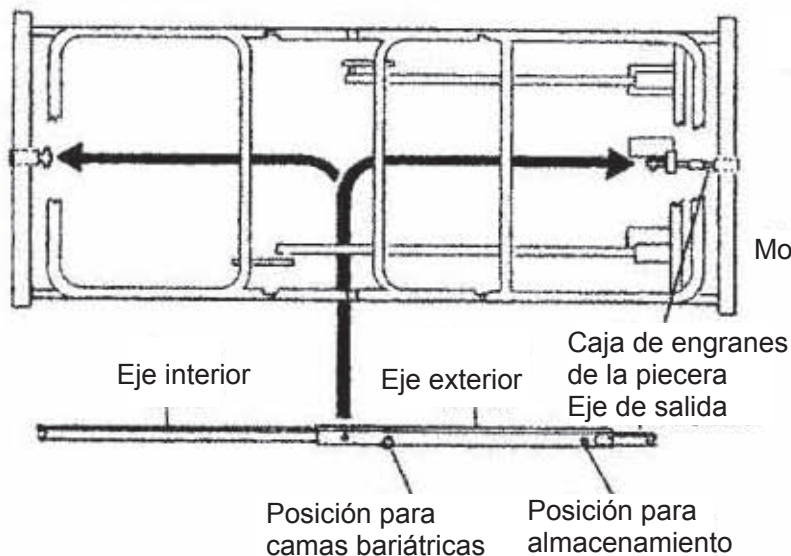


MONTAJE E INSTALACIÓN DEL EJE IMPULSOR

El eje impulsor está compuesto de dos (2) secciones. La flecha interna la cual tiene un botón de colocación de resorte; y la flecha externa, la cual tiene dos (2) orificios para posición y un (1) orificio para almacenaje. Juntas forman el eje impulsor telescópico que se utiliza en camas bariátricas.

1. Retire las tapas de plástico de cada extremo del eje impulsor.
2. Presione el botón de resorte del eje interior e introduzca el eje interior dentro del eje exterior.
3. Deslice el eje interior y colóquelo en la posición deseada dependiendo del tipo de cama y asegure el botón de resorte dentro del orificio adecuado.
4. Coloque el botón de resorte dentro del orificio de colocación del eje exterior.
5. Conecte el eje impulsor a la cama uniéndolo cualquiera de los extremos del eje impulsor a la caja de engranes de la cabecera.

6. Conecte el otro extremo a la salida de la flecha del motor Alto/Bajo y luego conecte la salida de la flecha de la caja de engranes de la piecera al acoplador de resorte de la salida de la flecha del motor Alto/Bajo.
7. Desenganche el acoplador de resorte del eje impulsor al presionar contra el acoplador de resorte y girar en sentido de las manecillas del reloj.
8. Localice el acoplador de resorte de la flecha de salida del motor Alto/Bajo.
9. Libere el acoplador de resorte de la flecha de salida del motor Alto/Bajo para poder conectarlo correctamente con la flecha de salida de la caja de engranes de la piecera; esto se logra al presionar contra el acoplador de resorte de la flecha de salida del motor Alto/Bajo y girar en sentido de las manecillas del reloj.
10. El acoplador se liberará y se enganchará al eje de salida de la piecera.
11. Asegúrese que todos los componentes estén instalados de manera segura.



CONECTANDO EL MOTOR DE LA CABECERA A LA CAJA DE CONEXIONES

ADVERTENCIA

El cable del motor de la cabecera DEBE estar colocado adecuadamente sobre los cuatro (4) soportes del cable de conexión del motor de la cabecera ANTES de su uso; estos están ubicados debajo del armazón de la cama. El no hacerlo puede ocasionar lesiones o daños.

NOTA: Para desconectar la cabecera y el motor de la caja de conexiones, siga los siguientes pasos en orden inverso.

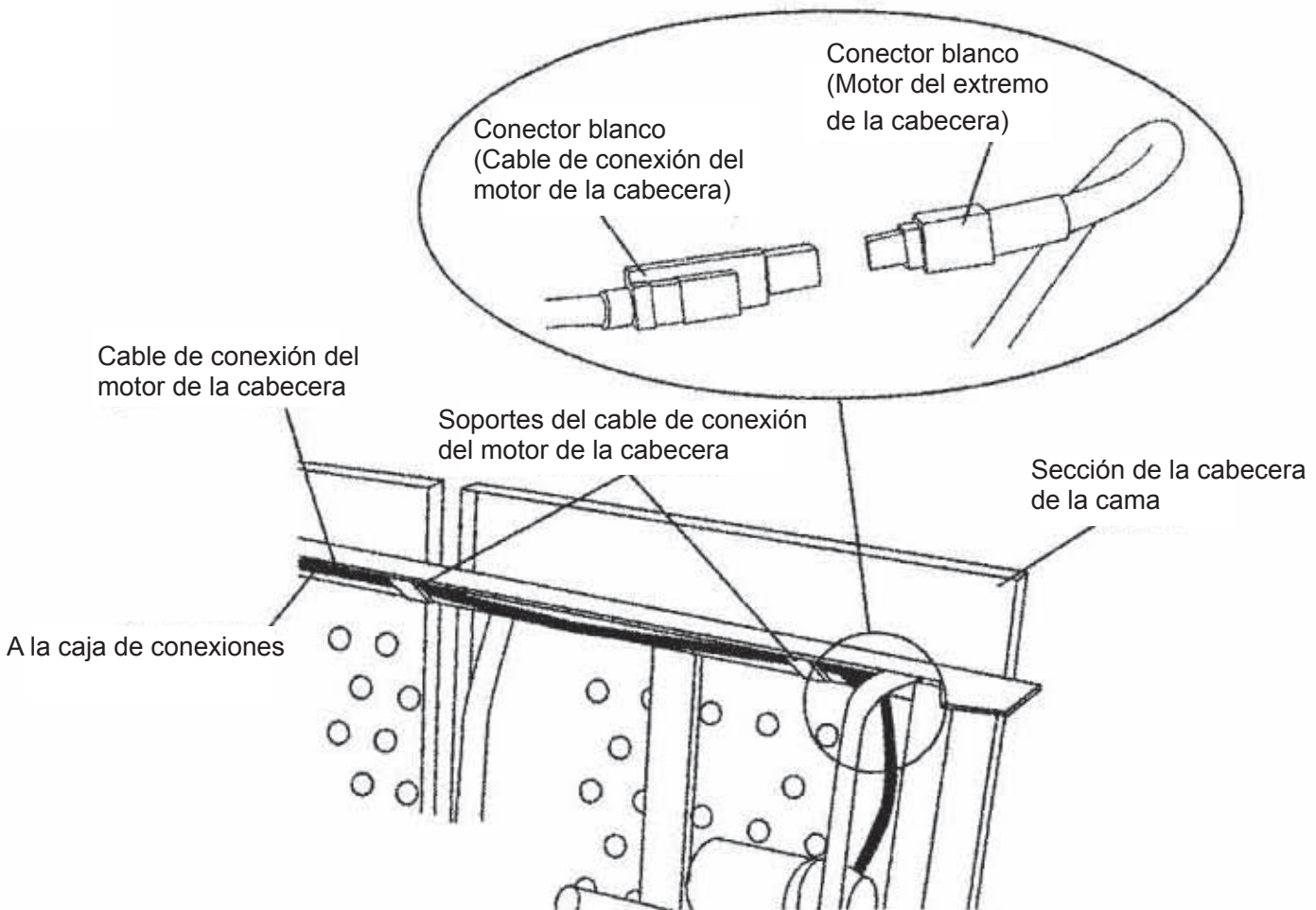
1. Localice el cable de conexión del motor de la cabecera que se conecta a la caja de conexiones.

NOTA: Las camas bariátricas son embarcadas con el cable de conexión del motor de la cabecera colocado sobre los soportes ubicados en el extremo de la piecera.

2. Localice los dos (2) soportes del cable de conexión del motor de la cabecera ubicados en la sección de la cabecera de la cama.

3. Alimente el cable de conexión del motor de la cabecera a través de los dos (2) soportes para el cable de conexión del motor de la cabecera.

4. Conecte el conector BLANCO del cable de conexión del motor de la cabecera al conector BLANCO del motor del extremo de la cabecera.



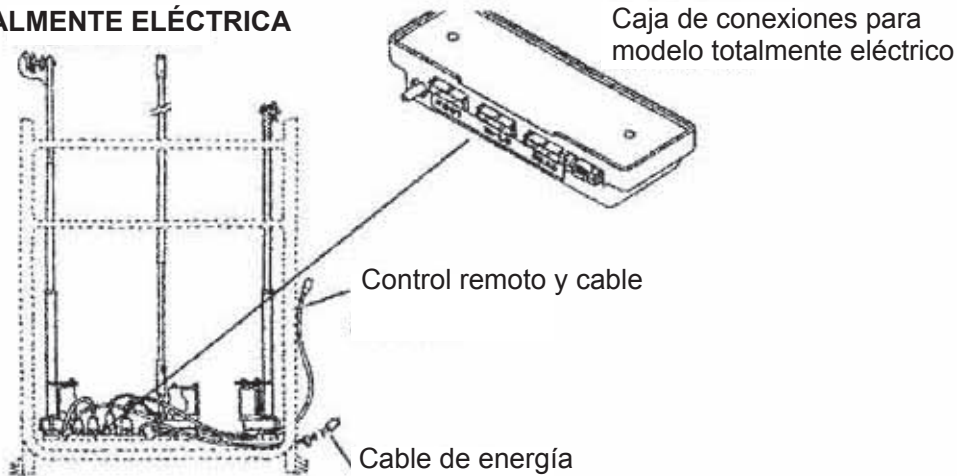
CONECTANDO EL MOTOR DE LA CABECERA A LA CAJA DE CONEXIONES

ACTIVANDO LAS FUNCIONES DE LA CAMA

1. Vuelva a verificar que las conexiones eléctricas de la caja de conexiones de la piecera estén conectadas en el lugar correcto.

2. Conecte el cable de la caja de conexiones en una toma de corriente de 110 volts y 60 ciclos.

TOTALMENTE ELÉCTRICA



ACTIVANDO LAS FUNCIONES DE LA CAMA

INSTALANDO/ RETIRANDO LOS CONECTORES HACIA/DE LA CAJA DE CONEXIONES

Instalando

ADVERTENCIA

Antes de instalar el conector dentro de la caja de conexiones, asegúrese que la palanca de bloqueo este HACIA ABAJO – de otra manera se pueden presentar daños o lesiones.

1. Sujete el conector y colóquelo de tal manera que la palanca de bloqueo esta HACIA ABAJO (FIGURA 1).

ADVERTENCIA

NO forcé el conector dentro de la caja de conexiones, de hacerlo puede resultar en lesiones o daños.

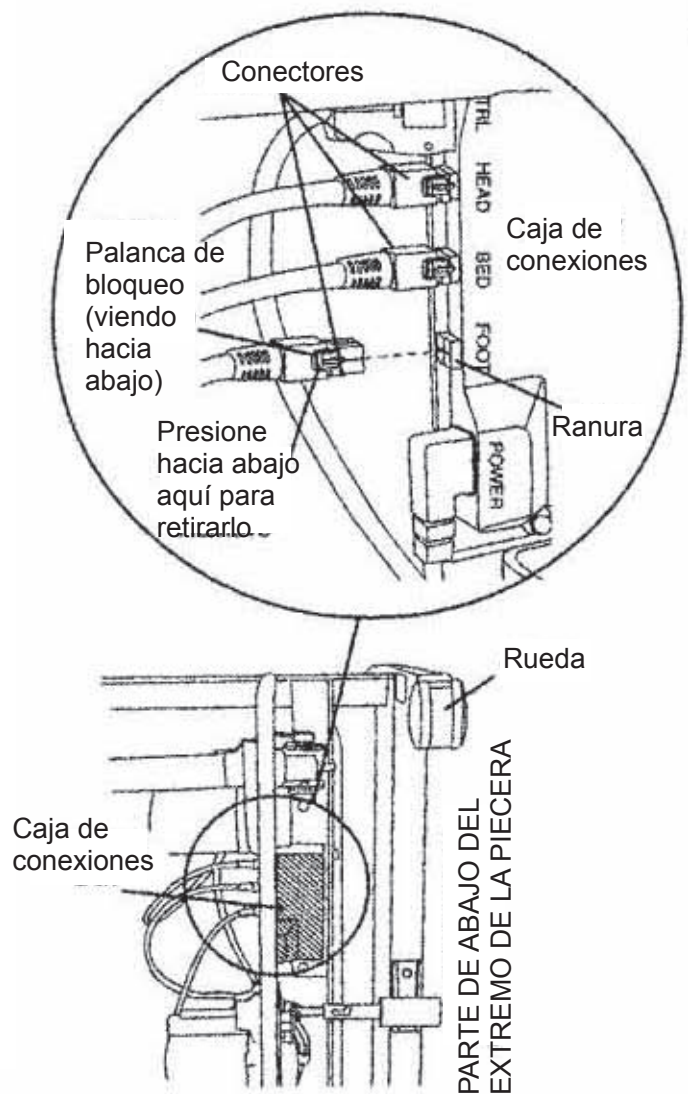
2. Presione gentilmente el conector dentro de la ranura correspondiente de la caja de conexiones hasta que escuche un 'clic' (FIGURA 1).

3. Si el conector NO SE desliza fácilmente dentro de la ranura de la caja de conexiones, asegúrese que la palanca de bloqueo esté HACIA ABAJO y repita el PASO 2.

Retirándolo

1. Presione hacia abajo en el extremo de la palanca de bloqueo del conector.

2. Mientras realiza el PASO 1, coloque el conector alejado de la caja de conexiones.

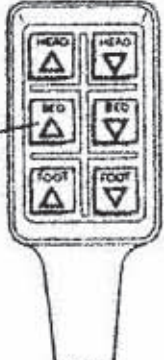
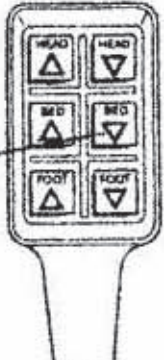


INSTALANDO/ RETIRANDO LOS CONECTORES HACIA/DE LA CAJA DE CONEXIONES

OPERACIÓN DE LA CAMA BARIÁTRICA

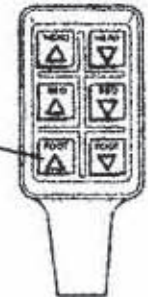
1. Las fotos que se incluyen muestran en detalle las camas bariátricas y familiarizarán al usuario con las funciones y controles de la cama.
2. Como operar la cama durante todas las fases de su operación.
3. Si se presentan problemas durante las pruebas, verifique de nuevo las conexiones eléctricas y la instalación mecánica.
4. Las camas bariátricas usan un control remoto de seis (6) funciones para la operación de la cama.
5. Todas las camas bariátricas cuentan con una manivela de emergencia para permitir su uso en caso de interrupción de suministro energético.

Levantando y bajando toda la cama

PARA LEVANTAR TODA LA CAMA	
Presione el botón "BED UP" (cama hacia arriba) como se muestra en el control remoto. Esto levantará toda la altura de la cama.	
PARA BAJAR TODA LA CAMA	
Presione el botón "BED DOWN" (cama hacia abajo) como se muestra en el control remoto. Esto bajará toda la altura de la cama.	

LEVANTANDO Y BAJANDO TODA LA CAMA

Levantando y bajando las secciones de la cabecera y piecera.

PARA LEVANTAR LA SECCIÓN DEL TAMBOR DE RESORTES DE LA CABECERA	
Presione el botón "HEAD UP" (cabecera hacia arriba) como se muestra en el control remoto. Esto levantará SOLAMENTE la parte de la cabecera de la cama.	
PARA BAJAR LA SECCIÓN DEL TAMBOR DE RESORTES DE LA CABECERA	
Presione el botón "HEAD DOWN" (cabecera hacia abajo) como se muestra en el control remoto. Esto bajará SOLAMENTE la parte de la cabecera de la cama.	
PARA LEVANTAR LA SECCIÓN DEL TAMBOR DE RESORTES DE LA PIECERA	
Presione el botón "FOOT UP" (piecera hacia arriba) como se muestra en el control remoto. Esto levantará SOLAMENTE la parte de la piecera de la cama.	
PARA BAJAR LA SECCIÓN DEL TAMBOR DE RESORTES DE LA PIECERA	
Presione el botón "FOOT DOWN" (piecera hacia abajo) como se muestra en el control remoto. Esto bajará SOLAMENTE la parte de la piecera de la cama.	

LEVANTANDO Y BAJANDO LAS SECCIONES DE LA CABECERA Y PIECERA

MANTENIMIENTO E INSPECCIONES DE SEGURIDAD

Drive recomienda que se realicen los siguientes procedimientos de mantenimiento y limpieza entre usuarios.

ELECTRÓNICA

- Cheque todos los controles para asegurar que todas las funciones trabajen adecuadamente.
 - Control de la piecera
 - Control de la cabecera
 - Alto/Bajo
- Verifique todos los cables para identificar alambres dañados o rotos.
 - Cable de energía
 - Cable del control remoto
- Asegúrese que todos los enchufes estén conectados o insertados completamente.

Armazón de la cama y área para dormir

- Verifique visualmente todas las soldaduras
 - Sección de la cabecera
 - Sección de la piecera
 - Armazón principal
- Inspeccione las uniones entre las secciones de la superficie para dormir para verificar que no existan sujetadores sueltos.

Limpieza

- Las partes de metal de la cama están cubiertas con un recubrimiento en polvo. Limpie todas las partes con una solución de agua tibia y detergente suave. Con frecuencia levante las secciones de la cabecera y piecera y retire el polvo del armazón. Además, quite el colchón y limpie la plataforma del colchón periódicamente.

Lubricación y mantenimiento mecánico

- Engrase ligeramente las roscas del tornillo actuador con grasa de litio blanca
- Lubrique todos los rodillos y cojinetes giratorios de las ruedas con aceite para máquinas.
- Verifique que todos los pernos estén suficientemente apretados.

GARANTÍA

Garantía de por vida en soldaduras.

Cinco años de garantía en el armazón.

Un año de garantía en todas las otras partes y componentes.

Durante el periodo de garantía, los artículos defectuosos serán reparados o reemplazados gratuitamente a discreción de Drive.

EMBALLAGE / MANUTENTION

DÉBALLAGE

1. Vérifiez l'emballage et tous les composants. Si vous notez la présence de dommages, communiquez avec votre revendeur Drive.
2. Retirez les matériaux d'emballage des boîtes.
3. Retirez avec soins tous les composants des boîtes.

MISE EN GARDE

N'UTILISEZ PAS la commande électrique avant d'avoir complété le montage du lit. Vous risqueriez d'endommager le lit et de vous blesser.

Les trois boîtes contiennent les composants suivants :

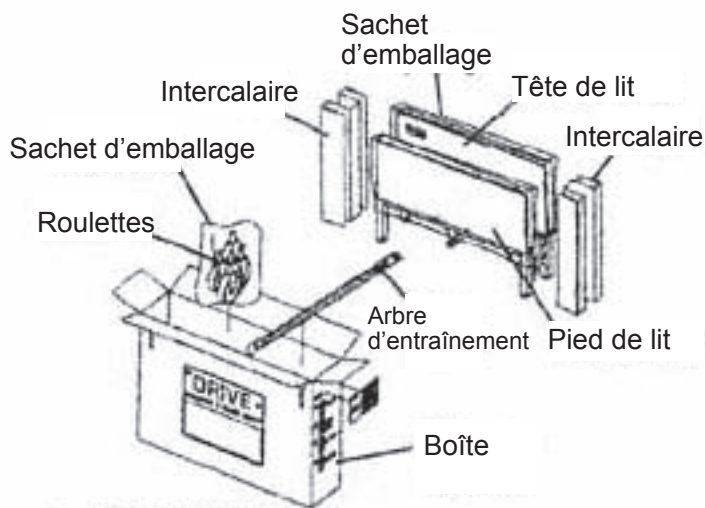
1. Boîte de la tête et du pied de lit :

Une (1) tête de lit.

Un (1) pied de lit.

Un (1) arbre d'entraînement (deux pièces).

Quatre (4) roulettes (deux (2) roulettes verrouillables et deux (2) libres).



2. Boîte du sommier, section de pied :

Un (1) sommier, section de pied (les lits électriques incluent une commande, une boîte de branchement et un cordon).

Une (1) manivelle d'urgence

Deux (2) supports de cadre

3. Boîte du sommier, section de tête :

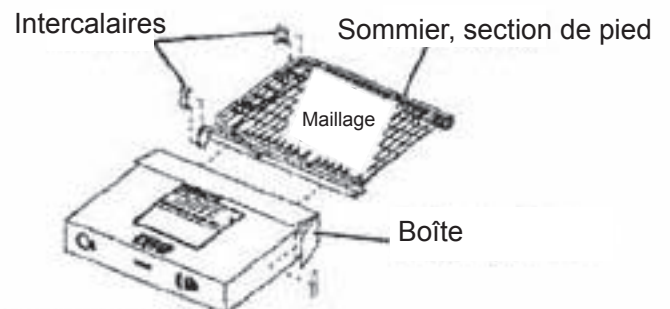
Un (1) sommier, section de tête

INSPECTION

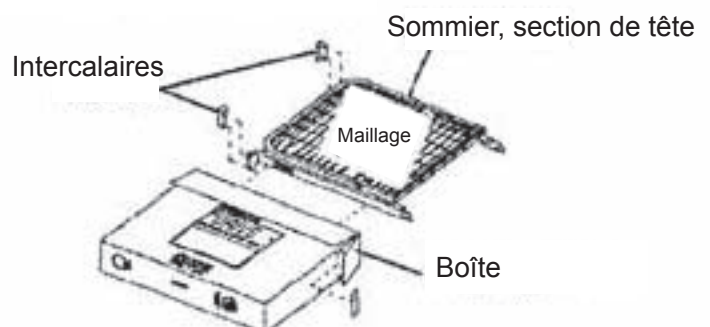
1. Examinez chaque composant avec soin. Notez la présence d'égratignures, d'entailles, de creux ou d'autres dommages apparents.
2. Notez la présence de dommages sur le cordon d'alimentation ou la prise de courant.
3. Notez la présence de dommages au niveau de la boîte de branchement.
4. Assurez-vous que les raccordements des moteurs sont en bon état et qu'ils sont bien branchés dans la boîte de branchement.

ENTREPOSAGE

1. Si le lit n'est pas assemblé immédiatement, conservez les boîtes et le matériel d'emballage jusqu'au moment de l'assemblage.
2. Remballez et entreposez le lit pour personnes obèses dans un endroit sec.
3. NE PLACEZ AUCUN objet sur les boîtes d'emballage.



Non illustrés :
Boîte de branchement avec cordon;
Commande;
Manivelle d'urgence



PROCÉDURE 1

Cette procédure comprend les étapes suivantes :

Relier les sections de tête et de pied

Relier les maillages

Ajuster et rebrancher le tube de traction de la tête de lit

Hausser la tête et le pied de lit

Assembler la tête et le pied de lit

Installer les roulettes

Installer les supports du cadre

Monter et installer l'arbre d'entraînement

Raccorder du moteur de tête de lit à la boîte de branchement

Tester les fonctions du lit

MISE EN GARDE

N'UTILISEZ PAS la commande électrique avant d'avoir complété le montage du lit. Vous risqueriez d'endommager le lit et de vous blesser.

Lit pour personnes obèses SEULEMENT (ILLUSTRATION 2)

NOTA : DRIVE recommande l'intervention de deux personnes pour exécuter cette procédure.

1. Retirez le sommier de tête du carton et posez-le sur le sol, sur le côté, à votre DROITE, avec les encoches de montage centrales à GAUCHE.

2. Retirez le sommier de pied du carton et posez-le sur le sol, sur le côté, à votre GAUCHE, avec tenons de montage centraux à DROITE.

3. La section de lit équipée de deux (2) moteurs (pied) doit se trouver à votre GAUCHE et la section équipée d'un (1) moteur (tête) doit se trouver à votre DROITE.

4. Les sommiers de tête et de pied doivent être sur leur côté, formant un angle d'environ 130°.

NOTA : Avant de relier les deux parties du sommier, assurez-vous que le tube de traction est en bas et placé sous la plateforme de la section de tête.

MISE EN GARDE

Lorsque vous assemblez les sections de tête et de pied du lit, les deux sections doivent former un angle de 130°, sans quoi le tube de traction de la section de pied ne passera pas sous la plate-forme de la section de tête et il peut causer des dommages.

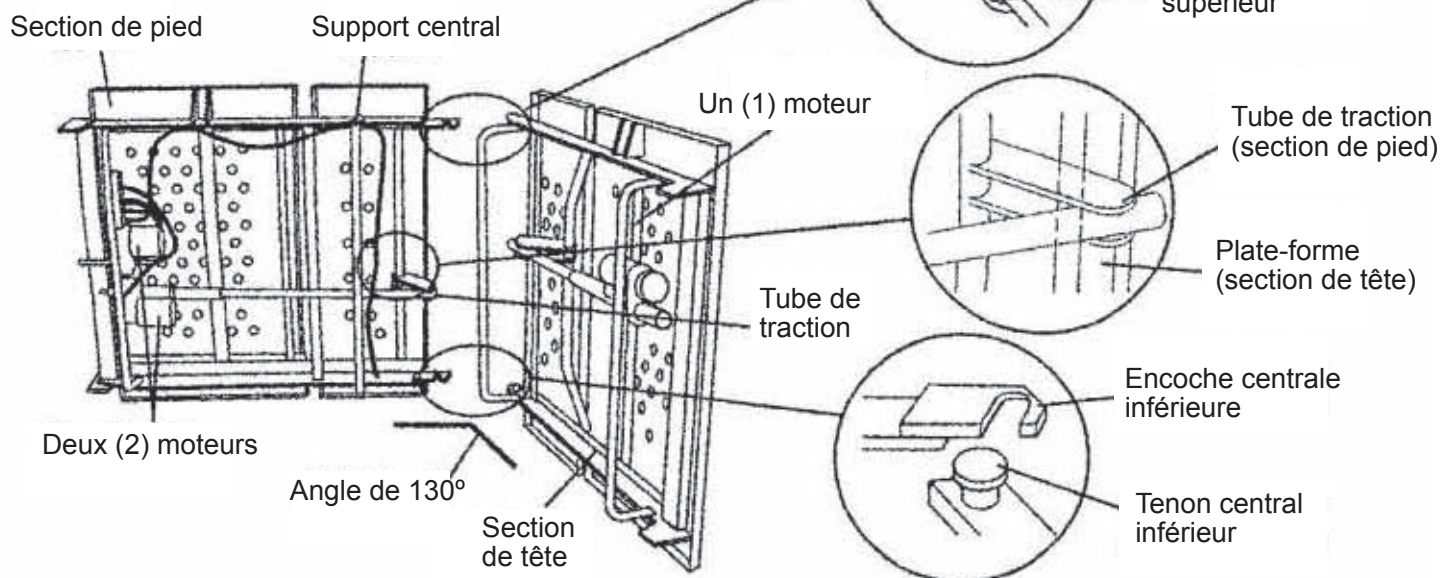
5. Insérez le tenon central du HAUT de la section de PIED dans l'encoche centrale du HAUT de la section de TÊTE.

6. Pendant qu'une (1) personne maintient l'assemblage de la partie SUPÉRIEURE du lit, l'autre personne doit relier la partie INFÉRIEURE en insérant le tenon du BAS de la section de PIED dans l'encoche du BAS de la section de TÊTE.

NOTA : Vous devrez peut-être manipuler le support central de la section de pied du lit de manière à pouvoir insérer le rivet INFÉRIEUR dans l'encoche INFÉRIEURE.

NOTA : Vous devrez peut-être soulever légèrement la section de pied OU de tête pour vous assurer de bien enclencher les rivets centraux dans les encoches centrales.

7. Une fois que les deux sections sont bien enclenchées, redressez (alignez) les deux sections de manière à former une ligne droite, tout en maintenant l'ensemble au sol, sur le côté.



REHAUSSER LA TÊTE ET LE PIED DE LIT (ILLUSTRATION 5)

1. Les pieds du lit doivent maintenant être rehaussés de 0,6 cm (¼ po). Utilisez pour ce faire la manivelle, insérée dans la boîte d'engrenages du pied de lit et tournez dans le sens horaire jusqu'à ce que le lit atteigne la hauteur désirée.
2. Insérez la manivelle dans l'orifice de la tête de lit et rehaussez la tête à la hauteur désirée.

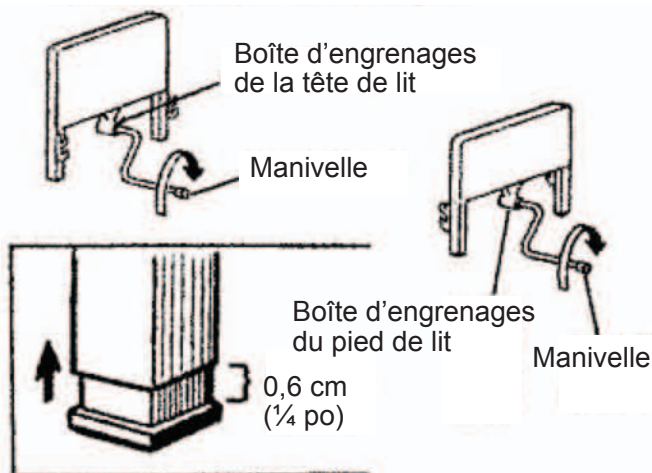


ILLUSTRATION 5 – REHAUSSEMENT DU PIED ET DE LA TÊTE DE LIT

NOTA : La procédure suivante convient à TOUS les lits.

NOTA : DRIVE recommande l'intervention de deux (2) personnes pour exécuter cette procédure.

NOTA : Pour les différencier, rappelez-vous que la tête de lit est plus haute que le pied de lit.

1. Placez la tête de lit le plus près possible du sommier de tête.

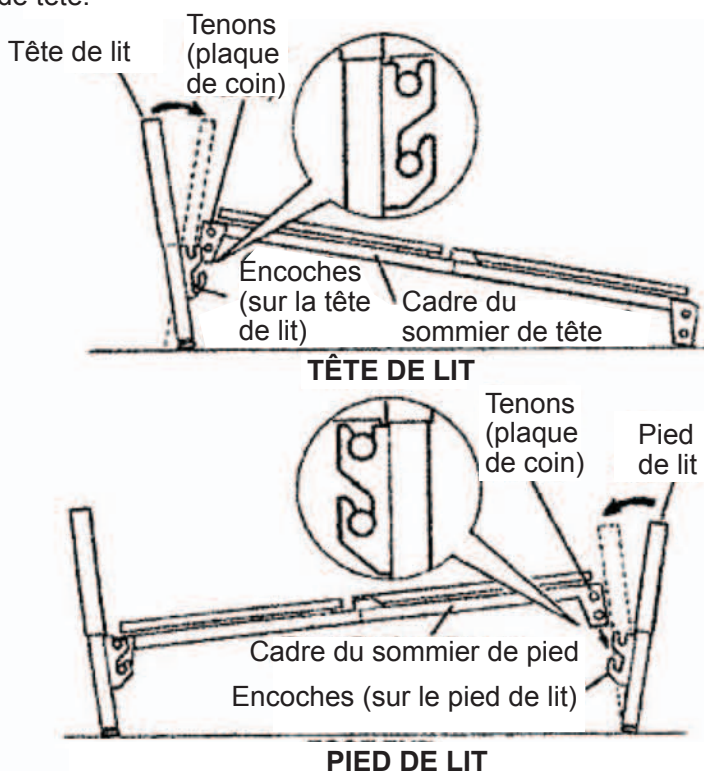


ILLUSTRATION 6 – ASSEMBLAGE DE LA TÊTE ET DU PIED DE LIT

2. D'une main, saisissez le cadre du sommier de tête et soulevez-le jusqu'à ce que les tenons du sommier soient alignés avec les encoches de la tête de lit.
3. Penchez la tête de lit légèrement vers l'arrière et faites glisser les tenons dans les encoches.
4. Lorsque la tête de lit est revenue en position verticale, elle devrait être verrouillée au sommier de tête.
5. Répétez cette procédure avec le pied de lit.

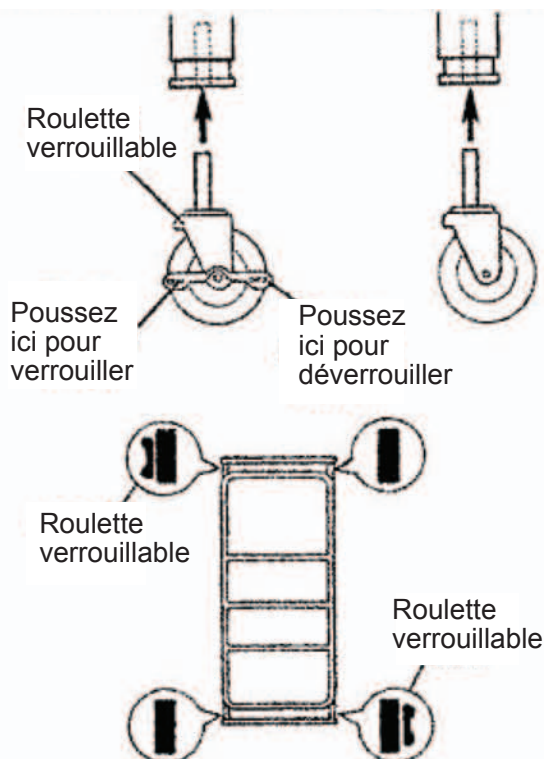
MISE EN GARDE

Les roulettes fournies avec le lit pour personnes obèses sont les seules qui conviennent. N'UTILISEZ PAS d'autres roulettes avec ce lit car il pourrait en résulter des dommages ou des blessures.

NOTA : Placez les roulettes verrouillables dans deux (2) coins diamétralement opposés.

NOTA : si votre ensemble ne contient pas deux (2) roulettes verrouillables, communiquez avec votre revendeur.

1. Installez les roulettes en soulevant avec précautions les extrémités du lit, environ 13 cm (5 pouces) au-dessus du sol. Insérez les axes des roulettes dans les orifices prévus.
2. Pour stabiliser le lit, verrouillez les deux (2) roulettes en poussant vers le BAS le côté étiqueté ON du levier de verrouillage des roulettes.
3. Pour déverrouiller les deux (2) roulettes, poussez vers le BAS le côté étiqueté OFF du levier de verrouillage.



INSTALLATION DU SUPPORT DE CADRE

MISE EN GARDE

Le support de cadre DOIT être fixé au cadre du lit de manière sécuritaire avant d'utiliser le lit afin d'éviter les risques de dommages ou de blessures.

NOTA : L'intervention de deux (2) personnes est nécessaire pour exécuter cette procédure.

1. Dépliez un (1) support de cadre de manière à ce que la patte de fixation centrale soit au milieu et que les deux tringles latérales soient de chaque côté (DÉTAILS « A »)
2. Passez le tenon situé près de la section de TÊTE du lit dans le GRAND orifice, à une (1) extrémité de la tringle.
3. Tirez le support de cadre vers la section de PIED du lit jusqu'à ce que le tenon de la section de TÊTE glisse dans le PETIT orifice de montage de la patte de fixation latérale.

4. Tout en exécutant la procédure décrite à l'ÉTAPE 3, placez le GRAND orifice de montage de la patte de fixation opposée sur le tenon situé près de la section de PIED du lit.

5. Laissez le support de cadre pendre sous les deux (2) tenons.

NOTA : Assurez-vous que les rivets des deux (2) côtés du lit sont insérés dans les deux (2) PETITS orifices de montage du support de cadre.

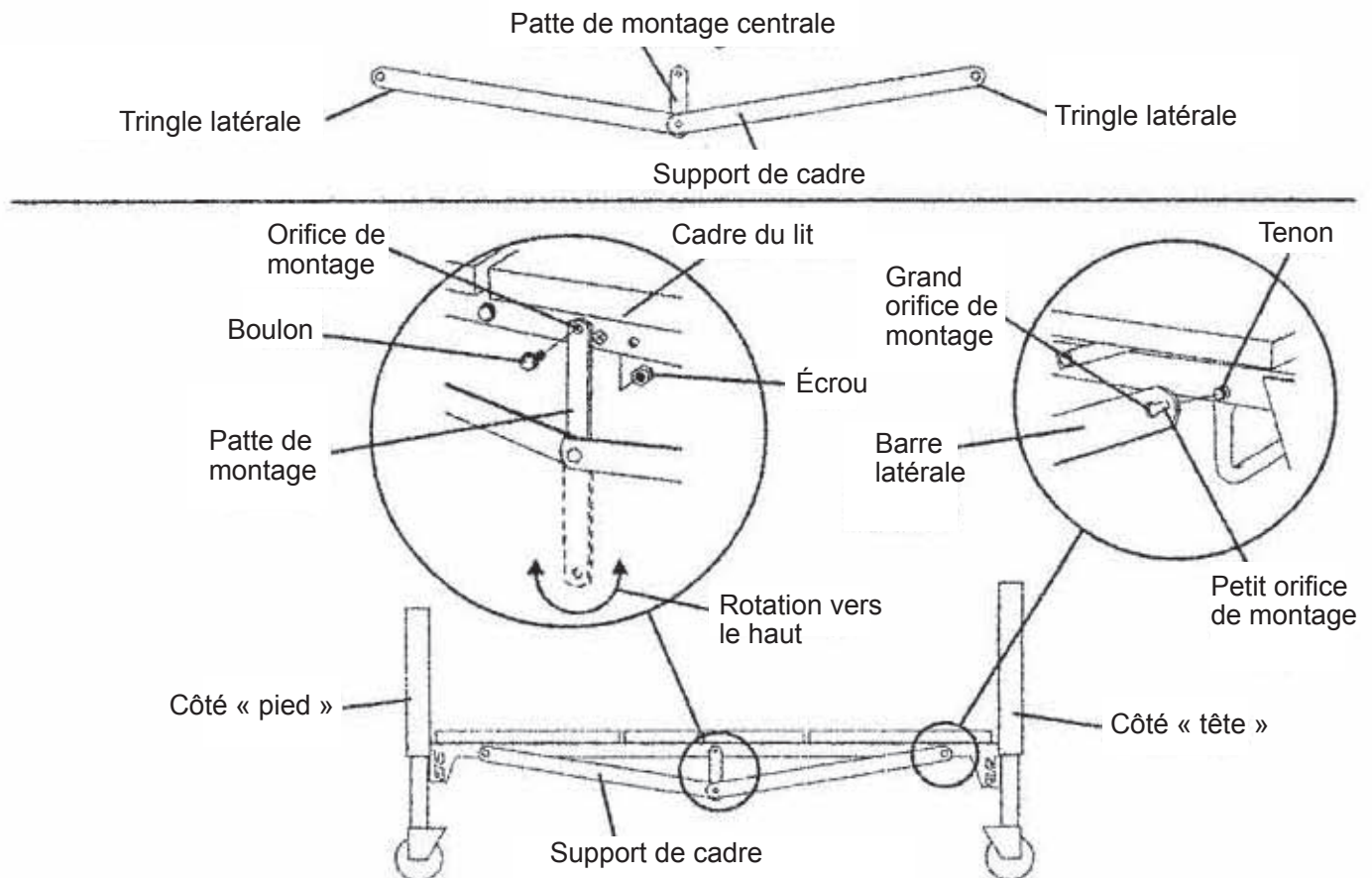
6. Faites pivoter la patte de montage centrale jusqu'à ce que les orifices soient alignés avec l'orifice de montage sur côté du cadre du lit.

NOTA : Il sera peut-être nécessaire de soulever le côté du cadre du lit de manière à pouvoir aligner les orifices de montage de la patte de montage centrale avec ceux du cadre du lit.

7. Insérez le boulon à travers l'orifice de la patte de montage centrale et l'orifice de montage du cadre du lit. Installez et serrez fermement l'écrou.

8. Répétez les ÉTAPES 1 à 7 pour le support de cadre opposé.

DÉTAILS « A »

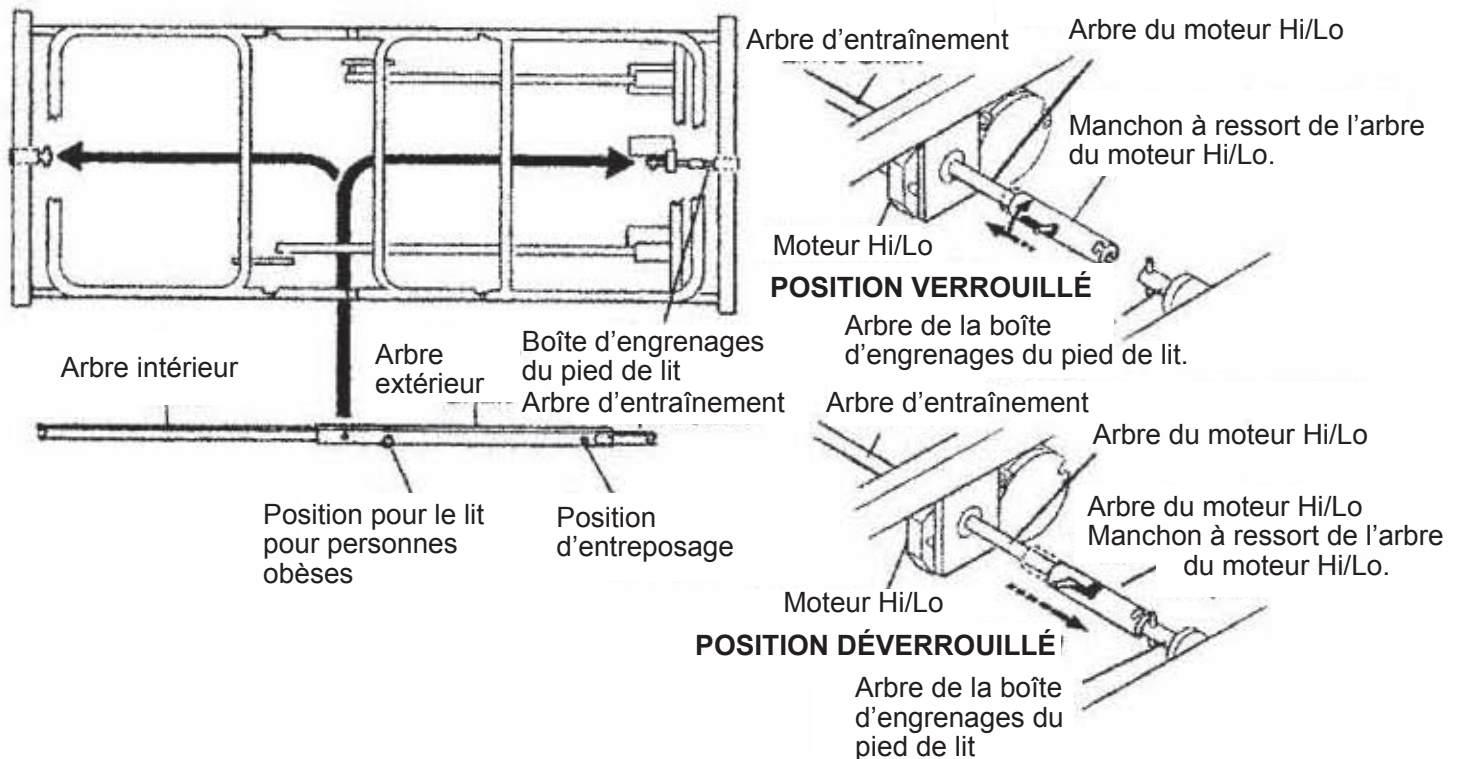


MONTAGE ET INSTALLATION DE L'ARBRE D'ENTRAÎNEMENT

L'arbre d'entraînement est composé de deux (2) sections. L'arbre intérieur possède un bouton à ressort et l'arbre extérieur possède deux (2) orifices de positionnement et un (1) orifice d'entreposage. Ces deux pièces composent l'arbre d'entraînement télescopique utilisé avec les modèles de lits pour personnes obèses.

1. Retirez les capuchons de plastique des deux extrémités des arbres.
2. Enfoncez le bouton à ressort de l'arbre intérieur et insérez-le dans l'arbre extérieur.
3. Faites glisser l'arbre intérieur à l'intérieur de l'arbre extérieur jusqu'au niveau qui convient selon le modèle de lit et faites passer le bouton à ressort dans l'orifice correspondant.
4. Pour les modèles semi-électrique et manuel, utilisez l'orifice le plus profond de l'arbre extérieur.

5. Fixez l'arbre d'entraînement au lit en engageant une des deux extrémités dans la boîte d'engrenages de la tête de lit.
6. Branchez l'autre extrémité à l'arbre du moteur Hi/Lo puis reliez l'arbre de la boîte d'engrenages du pied de lit au manchon à ressort de l'arbre du moteur Hi/Lo.
7. Libérez le manchon à ressort de l'arbre d'entraînement en le poussant contre le manchon et en tournant dans le sens horaire.
8. Repérez le manchon à ressort de l'arbre d'entraînement du moteur Hi/Lo.
9. Libérez le manchon à ressort de l'arbre d'entraînement du moteur Hi/Lo, afin de le relier à l'arbre de la boîte d'engrenages du pied de lit, en le poussant contre le manchon à ressort du moteur Hi/Lo et en tournant dans le sens horaire.
10. Le manchon s'enclenchera et reliera l'arbre d'entraînement du pied de lit.
11. Assurez-vous que tous les composants ont été installés de manière sécuritaire.



RACCORDEMENT DU MOTEUR DE LA TÊTE DE LIT À LA BOÎTE DE RACCORDEMENT

MISE EN GARDE

Le cordon de raccordement du moteur de la tête de lit DOIT être placé correctement dans les quatre (4) supports de cordon sous le cadre du lit AVANT l'utilisation de l'équipement. Omettre cette précaution peut causer des dommages ou des blessures.

NOTA : Exécutez cette procédure dans le sens inverse pour débrancher la tête de lit et le moteur de la boîte de raccordement.

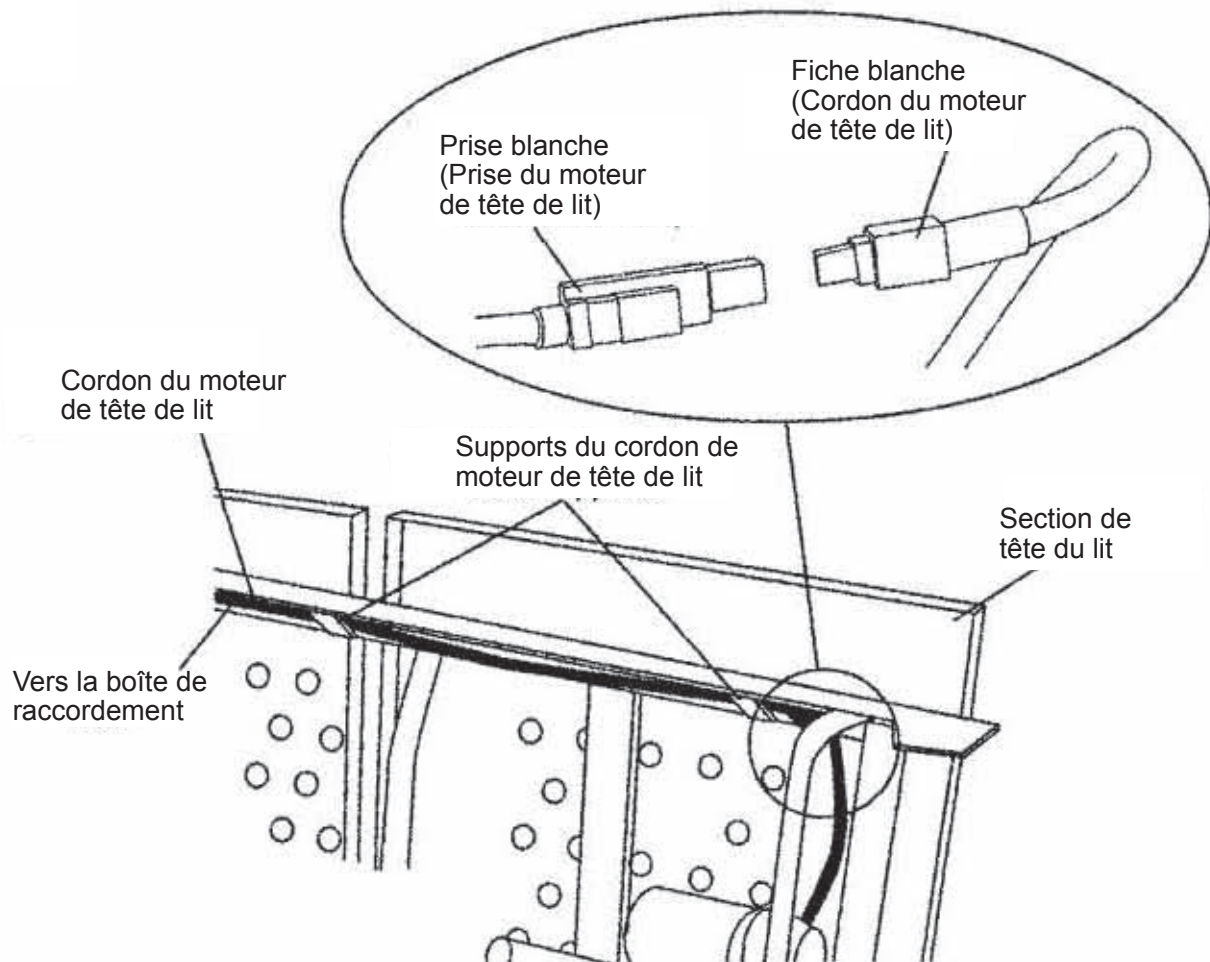
1. Repérez le cordon du moteur de la tête de lit qui relie la boîte de raccordement au moteur de la tête de lit.

NOTA : Les lits pour personnes obèses sont expédiés avec le cordon de moteur de tête placé dans les supports de cordon de moteur de tête de la section de pied du lit.

2. Repérez les deux (2) supports de cordon de moteur de tête de lit sous la section de tête du lit.

3. Faites passer le cordon de moteur de tête de lit par les deux (2) supports de cordon de moteur.

4. Branchez la fiche BLANCHE du cordon de moteur de tête de lit à la prise BLANCHE prévue pour le moteur de tête de lit.



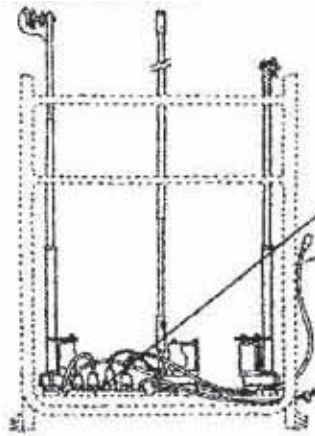
RACCORDEMENT DU MOTEUR DE LA TÊTE DE LIT À LA BOÎTE DE RACCORDEMENT

TEST DES FONCTIONS DU LIT

1. Revérifiez tous les branchements électriques au niveau de la boîte de raccordement au pied du lit, assurez-vous que tous les moteurs sont branchés à la bonne prise.

2. Branchez le cordon d'alimentation à une prise de 110 V, 60 Hz, protégée par une mise au neutre fonctionnelle.

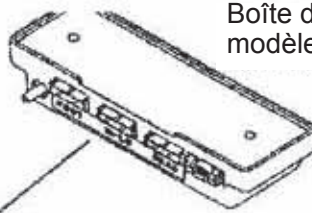
TOUT ÉLECTRIQUE



Commande
et cordon

Cordon d'alimentation

Boîte de branchement,
modèle tout électrique



TESTS DES FONCTIONS DU LIT

BRANCHEMENT / DÉBRANCHEMENT DE LA BOÎTE DE RACCORDEMENT

Installation

MISE EN GARDE

Avant de brancher une fiche à la boîte de raccordement, assurez-vous que le taquet de blocage pointe vers le BAS, sans quoi vous risquez des dommages ou des blessures.

1. Tenez la fiche avec le taquet de blocage faisant face vers le BAS (ILLUSTRATION 1).

MISE EN GARDE

N'utilisez PAS la force pour insérer la fiche dans la prise de la boîte de raccordement, sans quoi vous risquez des dommages ou des blessures.

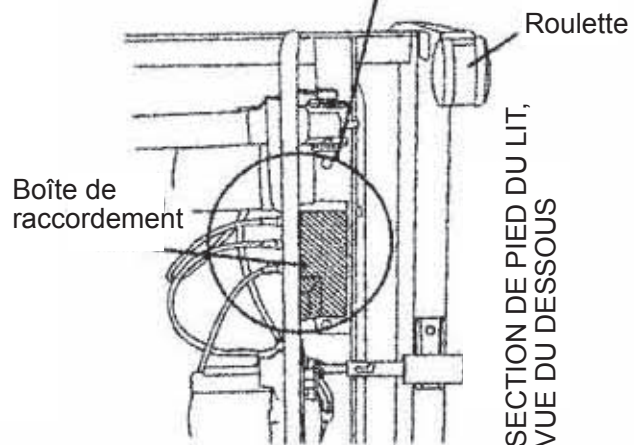
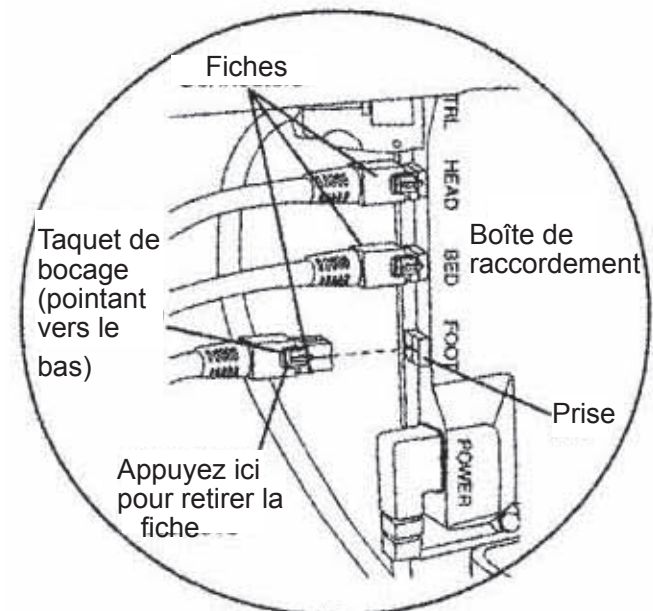
2. Poussez délicatement la fiche dans la prise appropriée de la boîte de raccordement jusqu'au moment d'entendre un « clic » indiquant qu'elle est bien enclenchée (ILLUSTRATION 1).

3. Si la fiche ne glisse PAS aisément dans la prise de la boîte de raccordement, vérifiez que le taquet de blocage pointe bien vers le BAS et reprenez l'ÉTAPE 2.

Démontage

1. Comprimez le bout du taquet de blocage de la fiche.

2. Tout en maintenant le taquet comprimé contre la fiche, retirez celle-ci de la prise.

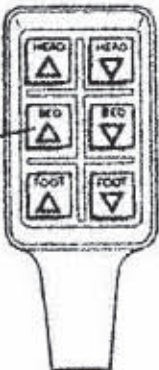
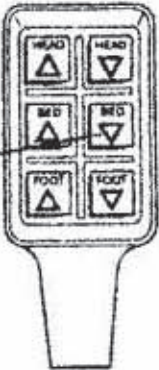


BRANCHEMENT / DÉBRANCHEMENT DE LA BOÎTE DE RACCORDEMENT

UTILISATION DU LIT POUR PERSONNES OBÈSES

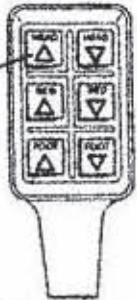
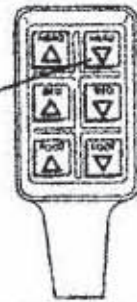
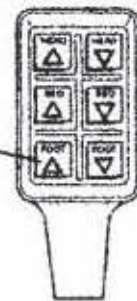
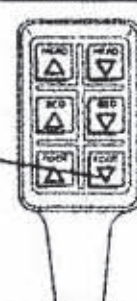
1. Les illustrations représentent le modèle de lit pour personnes obèses et permettront à l'utilisateur de se familiariser avec les fonctions et commandes.
2. Essayez toutes les fonctions du lit.
3. Si un problème survient pendant les tests, vérifiez tous les branchements électriques et mécaniques.
4. Le modèle pour personnes obèses possède une commande à six (6) fonctions.
5. Tous les modèles de lits pour personnes obèses possèdent une manivelle d'urgence qui permet une utilisation des fonctions même en cas de panne de courant.

Monter et descendre le lit en entier

FAIRE MONTER LE LIT EN ENTIER	
Appuyez sur le bouton BED UP (lit haut) comme indiqué sur la commande pour faire monter le lit en entier.	
DESCENDRE LE LIT EN ENTIER	
Appuyez sur le bouton BED DOWN (lit bas) tel qu'indiqué sur la commande pour faire descendre le lit en entier.	

MONTER ET DESCENDRE LE LIT EN ENTIER

Monter et descendre les sections de pied et de tête

FAIRE MONTER LE SECTION DE TÊTE DU SOMMIER.	
Appuyez sur le bouton HEAD UP (tête haut) comme indiqué sur la commande pour faire monter la section de tête du sommier.	
DESCENDRE LE SECTION DE TÊTE DU SOMMIER.	
Appuyez sur le bouton HEAD DOWN (tête bas) comme indiqué sur la commande pour faire descendre la section de tête du sommier.	
FAIRE MONTER LE SECTION DE PIED DU SOMMIER	
Appuyez sur le bouton FOOT UP (tête haut) comme indiqué sur la commande pour faire monter la section de pied du sommier.	
DESCENDRE LE SECTION DE PIED DU SOMMIER	
Appuyez sur le bouton FOOT DOWN (tête bas) comme indiqué sur la commande pour faire descendre la section de pied du sommier.	

MONTER ET DESCENDRE LES SECTIONS DE PIED ET DE TÊTE

ENTRETIEN ET VÉRIFICATIONS

Drive recommande aux utilisateurs de procéder à un entretien et un nettoyage périodiques.

ÉLECTRONIQUE

- Vérifiez toutes les commandes pour vous assurer qu'elles fonctionnent normalement.
 - Commande de pied
 - Commande de tête
 - Hi/Lo
- Vérifiez tous les câbles pour vous assurer qu'ils ne sont pas endommagés.
 - Cordon d'alimentation
 - Cordon de la commande manuelle
- Vérifiez que tous les connecteurs sont bien branchés.

Cadre du lit et sommier

- Faites un examen visuel de tous les points de soudure
 - Section de tête
 - Section de pied
 - Cadre principal
- Vérifiez les joints entre les deux sections, notez la présence de joints lâches.

Nettoyage

- Les parties métalliques du lit sont recouvertes d'un revêtement en poudre. Nettoyez toutes les parties traitées à l'aide d'un détergent doux dilué dans de l'eau tiède. Soulevez occasionnellement les sections de tête et de pied et nettoyez la poussière qui peut s'accumuler sur le cadre. Retirez aussi le matelas et nettoyez le sommier.

Lubrification et Mécanique

- Lubrifiez occasionnellement le fil des vis de réglage à l'aide d'une graisse blanche au lithium.
- Lubrifiez toutes les roulettes et les coussinets du mécanisme pivotant à l'aide d'une huile légère pour machine.
- Vérifiez le serrage des boulons et des écrous.

GARANTIE

Garantie à vie sur toutes les soudures.

Garantie de cinq ans sur le cadre.

Garantie d'un an sur toutes les autres pièces et composants.

Pendant la période de couverture de la garantie, les éléments défectueux seront remplacés ou réparés, à sa convenance et sans frais, par Drive.

99 Seaview Boulevard
Port Washington, NY 11050
Phone: 516-998-4600
Fax: 516-998-4601
www.drivemedical.com



Free Manuals Download Website

<http://myh66.com>

<http://usermanuals.us>

<http://www.somanuals.com>

<http://www.4manuals.cc>

<http://www.manual-lib.com>

<http://www.404manual.com>

<http://www.luxmanual.com>

<http://aubethermostatmanual.com>

Golf course search by state

<http://golfingnear.com>

Email search by domain

<http://emailbydomain.com>

Auto manuals search

<http://auto.somanuals.com>

TV manuals search

<http://tv.somanuals.com>