



# **XD5210**

---

## **INSTALLATION/OWNERS MANUAL** **AM/FM/CD Receiver**





# **Preparation**

Please read entire manual before installation.

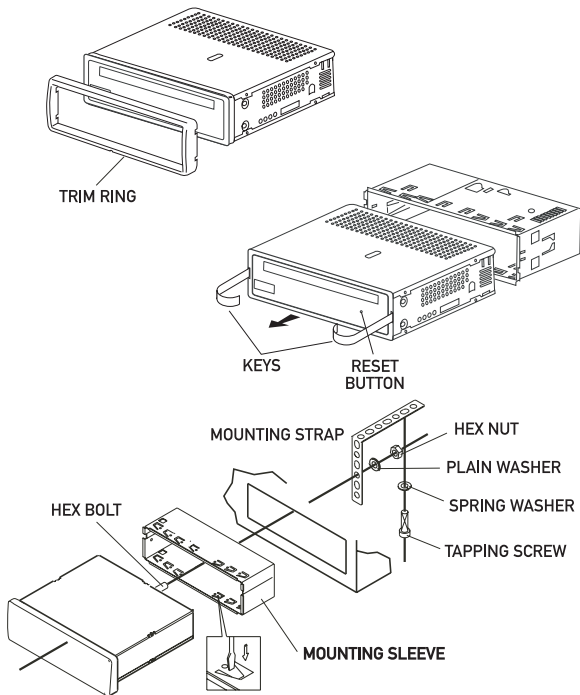
### **Before You Start**

- Disconnect negative battery terminal.  
(consult a qualified technician for instructions)
- Avoid installing the unit where it would be subject to high temperatures, such as from direct sunlight, or where it would be subject to dust, dirt or excessive vibration.

### **Getting Started**

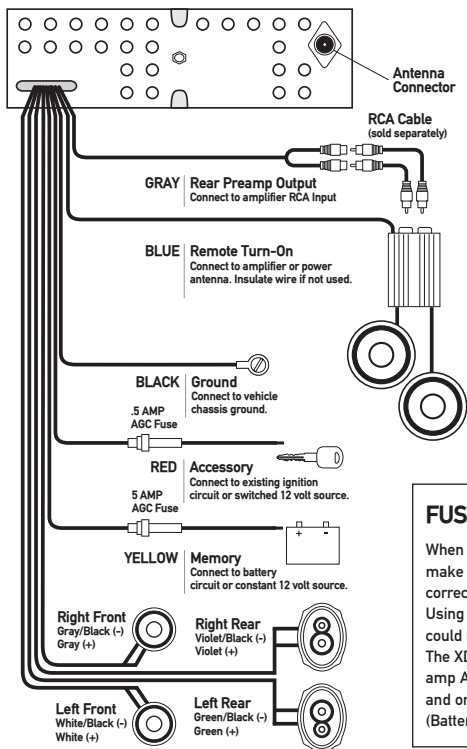
- Remove 2 transit screws located on top of the unit.
- Remove trim ring by pulling up gently in the center.
- Insert the supplied keys into the slots as shown, and slide the unit out of the mounting sleeve.
- Install mounting sleeve into dash opening, bending tabs to secure.
- Connect wiring harness and antenna.  
(consult a qualified technician if you are unsure)
- Certain vehicles may require an installation kit and/or wiring harness adapter (sold separately).
- Test for correct operation and slide into mounting sleeve to secure.
- Snap trim ring into place.

## Installation



TYPICAL MOUNTING METHOD

### Wiring Diagram

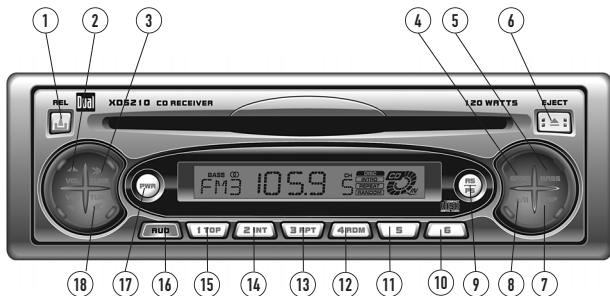


#### FUSES

When replacing fuses, make sure new fuse is the correct type and amperage. Using an incorrect fuse could damage the radio. The XD5210 uses one .5 amp AGC fuse (Ignition) and one 5 amp AGC fuse (Battery) located in-line.

\* CAUTION - Do not attach any speaker leads to ground as severe damage will occur.

## Control Locations




- |                           |                      |
|---------------------------|----------------------|
| ① Release                 | ⑩ Preset 6           |
| ② Volume                  | ⑪ Preset 5           |
| ③ Tune/Track Up           | ⑫ Preset 4/CD Random |
| ④ Band                    | ⑬ Preset 3/CD Repeat |
| ⑤ Bass Boost              | ⑭ Preset 2/CD Intro  |
| ⑥ Eject                   | ⑮ Preset 1/CD Top    |
| ⑦ Display                 | ⑯ Audio              |
| ⑧ Play/Pause              | ⑰ Power              |
| ⑨ Auto Store/Presets Scan | ⑱ Tune/Track Down    |



# General Operation

<b>Faceplate Removal</b>	<p>Press <b>REL</b> and pull away from the left side to remove. To re-install, insert right side of faceplate first then push left side to secure.</p> <p>*For semi-permanent faceplate installation, remove trim ring and install supplied Phillips head #1 screw through left side of mounting frame into faceplate.</p>
<b>Power On/Off</b>	<p>Press <b>PWR</b> to turn the unit on. Inserting a CD will turn the unit on automatically. Press <b>PWR</b> to turn the unit off.</p>
<b>CD Mode</b>	<p>Insert a CD or press <b>▶/  </b> to begin or resume playback.</p>
<b>Tuner Mode</b>	<p>Press <b>PWR</b> or <b>BAND</b> to begin or resume tuner operation.</p>
<b>Bass Boost</b>	<p>Press <b>BASS</b> to activate and deactivate bass boost curve. Activating this feature will enhance the bass frequencies when listening to music at low volumes.</p>
<b>Volume</b>	<p>Adjust volume using <b>VOL ▲</b> or <b>VOL ▼</b> (00-39).</p>
<b>Display</b>	<p>Press <b>DISP</b> to display the clock. The radio frequency (tuner mode) or CD track/elapsed time (CD player mode) show by default.</p>
<b>Set the Clock</b>	<p>Press <b>DISP</b> to display the clock, then release. Press and hold <b>DISP</b> then press <b>TUNE &lt;&lt;</b> to adjust the hours and <b>TUNE &gt;&gt;</b> to adjust the minutes. Release <b>DISP</b> to save the selected time.</p>

## General Operation

<b>Reset</b>	Press and hold for more than 2 seconds to <b>RESET</b> the unit upon initial installation or if abnormal operation occurs. The <b>RESET</b> button is located behind the faceplate.
<b>Audio</b>	Press <b>AUD</b> to select between Volume (default), Bass, Treble, Balance & Fader. 
<b>Bass</b>	Press <b>AUD</b> until <b>BA</b> appears Press <b>VOLUME</b> ▼ or ▲ to adjust (6 maximum / -6 minimum)
<b>Treble</b>	Press <b>AUD</b> until <b>TR</b> appears Press <b>VOLUME</b> ▼ or ▲ to adjust (6 maximum / -6 minimum)
<b>Balance</b>	Press <b>AUD</b> until <b>B</b> appears Press <b>VOLUME</b> ▼ ( <b>LEFT</b> ) or ▲ ( <b>RIGHT</b> ) to adjust (BL 16/BR 16) B 00 represents equal balance.
<b>Fader</b>	Press <b>AUD</b> until <b>F</b> appears Press <b>VOLUME</b> ▲ ( <b>FRONT</b> ) or ▼ ( <b>REAR</b> ) to adjust (FF 16/FR 16) F 00 represents equal balance.



# Tuner Operation

<b>Seek Tuning</b>	Press <b>TUNE</b> << or >> momentarily to seek the next strong station.
<b>Manual Tuning</b>	Press <b>TUNE</b> << or >> for more than 2 seconds, then press <b>TUNE</b> << or >> momentarily to move radio frequency up or down one step at a time. Press and hold to advance quickly. If tuning is not adjusted for 2 seconds, the unit will return to seek tuning mode (default).
<b>Band</b>	Press <b>BAND</b> to select between FM1, FM2, FM3 and AM1, AM2 bands.
<b>Storing and Recalling Station Presets</b>	Up to 18 FM stations and 12 AM stations can be stored. To store a station, select the desired band and station. Press and hold the desired preset button for more than 2 seconds. When stored, the preset number will appear in the display. The station can be recalled anytime by pressing the corresponding preset button.
<b>Automatically Store Stations</b>	Press <b>AS/PS</b> for more than 2 seconds to automatically store the six strongest stations in the current band.
<b>Preset Scan</b>	Press <b>AS/PS</b> for less than 2 seconds to scan presets 1-6 on the current band, pausing for 5 seconds at each. Press <b>AS/PS</b> again to cancel.





## CD Player Operation

<b>Insert CD</b>	With the label facing up, insert a standard 5" CD into the CD slot. The CD will automatically begin playback.
<b>Eject CD</b>	Press the <b>EJECT</b> button to stop and eject the CD. The unit will change to tuner mode.
<b>Track Select</b>	Press <b>TRACK &gt;&gt;</b> to skip to the beginning of the next track. Press <b>TRACK &lt;&lt;</b> to return to the beginning of the current track. Pressing <b>TRACK &lt;&lt;</b> again skips to the beginning of the previous track.
<b>Fast Forward and Reverse</b>	Press and hold <b>TRACK &lt;&lt;</b> or <b>TRACK &gt;&gt;</b> to fast forward or reverse a track.
<b>Pause</b>	Press <b>▶/  </b> to temporarily stop CD playback. Press <b>▶/  </b> again to resume playback.
<b>Intro</b>	Press <b>INT</b> to play the first 10 seconds of each track. Press <b>INT</b> to cancel.
<b>Repeat</b>	Press <b>RPT</b> to continuously repeat selected track. Press <b>RPT</b> to cancel.
<b>Random</b>	Press <b>RDM</b> to play all tracks in random order. Press <b>RDM</b> again to cancel.
<b>Top</b>	Press <b>TOP</b> to begin playback from track 1.
<b>CD-R/CD-RW Compatibility</b>	Some CD-Rs and CD-RWs may be incompatible with this unit, depending on media type and recording method.



## XD5210 WARRANTY

# Limited One-Year Warranty

This warranty gives you specific legal rights. You may also have other rights which vary from state to state.

Namsung America Inc. warrants this product to the original purchaser to be free from defects in material and workmanship, under normal conditions, for a period of one year from the date of the original purchase.

Namsung America agrees, at our option, during the warranty period, to repair any defect in material or workmanship or to furnish an equal new or renewed product in exchange without charges, subject to verification of the defect or malfunction and proof of the date of purchase.

During the One-Year Warranty Period: For One Year from the date of purchase, your product will be replaced with a new, renewed or comparable product (whichever is deemed necessary) if it becomes defective or inoperative. This is done without charge to you. Replacement products are warranted for the balance of the original warranty period.

**Who is covered?** This warranty is extended to the original retail purchaser for products purchased and used in the U.S.A., in the 48 contiguous states ONLY.

**What is covered?** This warranty covers all defects in material and workmanship in this product. The following are not covered: installation/removal costs, damage resulting from accident, misuse, abuse, neglect, product modification, improper installation, incorrect line voltage, unauthorized repair or failure to follow instructions supplied with the product, or damage occurring during return shipment of the product.

### What to do?

1. Before you call for service, check your operating instruction booklet. A slight adjustment of any custom controls discussed in your instruction booklet may save you a service call.
2. If you require service during the warranty period, you must carefully pack the product (preferably in the original package) and ship it by prepaid transportation with proof of the purchase date from the retailer to the Return Center address listed below.
3. Please describe your problem in writing and include your name, a return UPS shipping address (P.O. Box not acceptable), and a daytime phone number with your shipment.
4. DUAL will pay the return shipping charges if the product is returned to an address within the USA.

Namsung America Inc.  
Attn: Returns Center  
21318 64th Ave. South  
Kent, WA 98032 U.S.A.  
Toll Free: 1-866-626-7863

**Exclusion of Certain Damages:** This warranty is exclusive and in lieu of any and all other warranties, expressed or implied, including without limitation the implied warranties of merchantability and fitness for a particular purpose and any obligation, liability, right, claim or remedy in contract or tort, whether or not arising from the company's negligence, actual or imputed. No person or representative is authorized to assume for the company any other liability in connection with the sale of this product. In no event shall the company be liable for indirect, incidental or consequential damages.

## Troubleshooting

Problem	Cause	Action
Unit will not turn on (no power)	Yellow or red wire not connected or incorrect voltage	Check connections for proper voltage (11~16VDC)
	Black wire not connected	Check connection to ground
	Fuse blown	Replace fuse
Unit has power (but no sound)	Speaker wires not connected	Check connections at speakers
	One or more speaker wires touching each other or touching chassis ground	Insulate all bare speaker wires from each other and chassis ground
Unit blows fuses	Yellow or red wire touching chassis ground	Check for pinched wire
	Speaker wires touching chassis ground	Check for pinched wire
	Incorrect fuse rating	Use fuse with correct rating
Excessive skipping	Unit is not mounted correctly or backstrap is not secure	Check mounting sleeve and backstrap support
	Physical defect in media (CD, CD-R or CD-RW)	Check media for scratches

## Error Codes

Error Code	Cause	Action
ER01 appears on display	High internal temperature	Turn unit off for 1 hour
ER02 appears on display	Load/Eject operation error	Press eject or RESET
ER03 appears on display	Focus adjustment error	Clean or replace media
ER04 appears on display	Tracking auto adjustment error	Clean or replace media
ER06 appears on display	Sled operation error	Press eject or RESET
ER07 appears on display	Focus search operation error	Press eject or RESET
ER08 appears on display	CLV (PLL) operation error	Press eject or RESET
ER09 appears on display	TOC data read error	Clean or replace media



## XD5210 WARRANTY

# Specifications

<b>CD Player</b>	Signal-to-noise: <b>&gt;86dB</b> Frequency response: <b>20Hz-20kHz</b> Channel separation @ 1kHz: <b>&gt;65dB</b> D/A converter: <b>16 Bit</b>
<b>FM Tuner</b>	Tuning range: <b>87.5MHz-107.9MHz</b> Usable sensitivity: <b>12dBf</b> 50dB quieting sensitivity: <b>16dBf</b> Stereo separation @ 1kHz: <b>40dB</b> Frequency response: <b>30Hz-13kHz</b>
<b>AM Tuner</b>	Tuning range: <b>530kHz-1710kHz</b> Usable sensitivity: <b>30uV</b> Frequency response: <b>80Hz-2kHz</b>
<b>General</b>	Total power output: <b>120 Watts Peak</b> Power output: <b>30Wx4 @ 4 ohm, 14.4 VDC</b> Operating voltage: <b>11-16 VDC, negative ground</b> Speaker output impedance: <b>4~8 ohms</b> Fuses: <b>.5 amp fast blow AGC, 5 amp fast blow AGC</b> Dimensions: <b>7" x 7" x 2" (178 x 178 x 51 mm)</b>

Design and specifications subject to change without notice

Namsung America Inc.

21318 64th Ave. South

Kent, WA 98032

Toll Free: 1-866-626-7863

[www.dualav.com](http://www.dualav.com)

©2004 Namsung America, Inc.

EVOK0204\_V01



# DCS65

---

## INSTALLATION/OWNERS MANUAL

Multi-fit 6.5" 2-way Car Audio Speakers

**DUAL AUDIO**  
**LOUD & CLEAR**



## Preparation/Installation

Please read entire manual before installation.

### Before You Start

- Disconnect negative battery terminal.  
(consult a qualified technician for instructions)

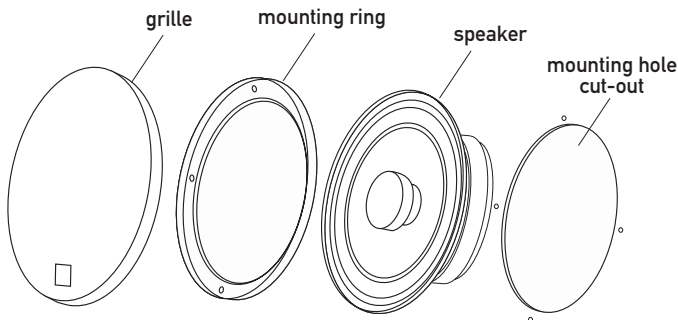
### Getting Started

- Be sure to carefully read and understand the instructions before attempting to install the product.
- For easier assembly, we recommend that if additional wiring is required, that you run all wires prior to mounting your speaker in place.
- Use the highest quality connectors for a reliable installation and to minimize signal or power loss.
- Use caution before you drill or cut! Be careful not to cut or drill into gas tanks, fuel lines, brake or hydraulic lines, vacuum lines or electrical wiring when working on any vehicle.
- Never run speaker wires underneath your vehicle. Running speaker wires inside the vehicle provides the best protection from exhaust heat and environmental elements.
- Avoid running wires over, near, or through sharp edged surfaces. We suggest you also use rubber grommets to protect any wires routed through metal, especially the firewall.

### Mounting

1. Determine where the speakers will be mounted. Ensure an area large enough for the speaker to mount evenly. Be sure that the mounting location is deep enough for the speaker to fit. Using an appropriate tool, cut a 4.9" diameter mounting hole.
2. If supplied, use the plastic mounting ring as a template to mark the locations for the mounting screws. Drill the holes with a 3/32" bit.
3. Be sure to observe proper polarity when connecting the wires. The speaker's positive terminal is indicated with a "+".
4. Fit the ring and speaker to the cutout. Mount them using the enclosed screws. If supplied, fit the grille inside the ring and press gently, but firmly, into place.

#### TYPICAL MOUNTING METHOD





## Limited One-Year Warranty

This warranty gives you specific legal rights. You may also have other rights which vary from state to state.

Namsung America Inc. warrants this product to the original purchaser to be free from defects in material and workmanship, under normal conditions, for a period of one year from the date of the original purchase.

Namsung America agrees, at our option, during the warranty period, to repair any defect in material or workmanship or to furnish an equal new or renewed product in exchange without charges, subject to verification of the defect or malfunction and proof of the date of purchase.

During the One-Year Warranty Period: For One Year from the date of purchase, your product will be replaced with a new, renewed or comparable product (whichever is deemed necessary) if it becomes defective or inoperative. This is done without charge to you. Replacement products are warranted for the balance of the original warranty period.

**Who is covered?** This warranty is extended to the original retail purchaser for products purchased and used in the U.S.A., in the 48 contiguous states ONLY.

**What is covered?** This warranty covers all defects in material and workmanship in this product. The following are not covered: installation/removal costs, damage resulting from accident, misuse, abuse, neglect, product modification, improper installation, incorrect line voltage, unauthorized repair or failure to follow instructions supplied with the product, or damage occurring during return shipment of the product.

**What to do?** 1. Before you call for service, check your operating instruction booklet. A slight adjustment of any custom controls discussed in your instruction booklet may save you a service call.

2. If you require service during the warranty period, you must carefully pack the product (preferably in the original package) and ship it by prepaid transportation with proof of the purchase date from the retailer to the Return Center address listed below.

3. Please describe your problem in writing and include your name, a return UPS shipping address (P.O. Box not acceptable), and a daytime phone number with your shipment.

4. DUAL will pay the return shipping charges if the product is returned to an address within the USA.

Namsung America Inc.  
Attn: Returns Center  
21318 64th Ave. South  
Kent, WA 98032 U.S.A.  
Toll Free: 1-866-626-7863

**Exclusion of Certain Damages:** This warranty is exclusive and in lieu of any and all other warranties, expressed or implied, including without limitation the implied warranties of merchantability and fitness for a particular purpose and any obligation, liability, right, claim or remedy in contract or tort, whether or not arising from the company's negligence, actual or imputed. No person or representative is authorized to assume for the company any other liability in connection with the sale of this product. In no event shall the company be liable for indirect, incidental or consequential damages.



## DCS65 SPECIFICATIONS

# Specifications

<b>Outside Diameter</b>	6.75"
<b>Mounting Depth</b>	1.7"
<b>Mounting Height</b>	.3"
<b>Cut-out Diameter</b>	4.9"
<b>Frequency Response</b>	88Hz-15kHz, $\pm 3$ dB
<b>Sensitivity</b>	89dB 1W/1M
<b>Impedance</b>	4 ohms
<b>RMS Power</b>	25 Watts
<b>Peak Power</b>	65 Watts

Design and specifications subject to change without notice



Namsung America Inc.  
21318 64th Ave. South  
Kent, WA 98032  
Toll Free: 1-866-626-7863  
[www.dualav.com](http://www.dualav.com)

©2004 Namsung America, Inc.



## Free Manuals Download Website

<http://myh66.com>

<http://usermanuals.us>

<http://www.somanuals.com>

<http://www.4manuals.cc>

<http://www.manual-lib.com>

<http://www.404manual.com>

<http://www.luxmanual.com>

<http://aubethermostatmanual.com>

Golf course search by state

<http://golfingnear.com>

Email search by domain

<http://emailbydomain.com>

Auto manuals search

<http://auto.somanuals.com>

TV manuals search

<http://tv.somanuals.com>