

## FEATURES

Heavy-duty 14 gauge steel heat exchanger with a durable ceramic fiber combustion chamber

Easy access large diameter clean out ports in heat exchanger

Foil-faced high density fiberglass insulation in cabinet reduces heat loss and sound

Cabinet has pre-painted steel for maximum durability

Direct drive models have slide-out blower design for easy cleaning and service

4-speed PSC direct drive blower assemblies are dynamically balanced with resilient motor mounts for smooth and quiet operation

Belt drive models have permanently lubricated split phase blower motor, adjustable pulley and sheave

High quality Beckett Flame Retention burner for efficient combustion

High efficiency air flow system to provide consistent operation through all operating conditions

Honeywell 7184B primary control with 15 second pre purge, interrupted ignition, limited reset, and LED diagnostics

Solid state ignition with 20KV output voltage

PSC burner motor with low amp draw and ball bearings for long life

40 VA transformer (Direct drive only)

Transformer and cooling fan relay are factory wired for easy add-on cooling installation (Direct drive only)

Limited life-time warranty on heat exchanger and five year limited warranty on all parts

## Ducane Oil Furnace

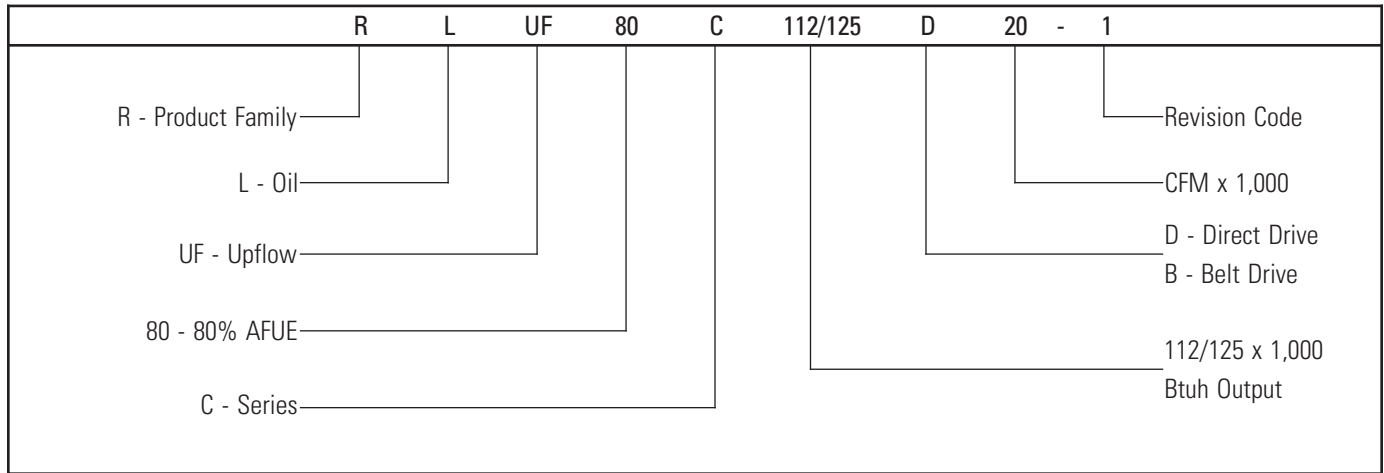
### RLUF80C



**Ducane**<sup>®</sup>  
AIR CONDITIONING  
AND HEATING



# Model Number Guide



## Physical and Electrical

Model	Nozzle Size	Input (Btuh)	Output (Btuh)	AFUE (ICS)	Nom. Cooling Capacity	Flue Dia. (in.)	Filter Size (in.)	Volts/Hz/Phase	Max. Time Delay Breaker or Fuse (amp)	Trans. (V.A.)	Weight (lb.)
RLUF80C57/72D12	.50GPH-80°A	70,000	58,000	83	2.0 - 3.0	6	16 x 25	120/60/1	15	40	225
	.65GPH-80°B	90,000	74,000								
RLUF80C84/95D16	.65GPH-80°B	105,000	85,000	81	2.5 - 4.0	6	16 x 25	120/60/1	15	40	225
	.75GPH-80°B	119,000	97,000								
RLUF80C112/125D20	.85GPH-80°B	140,000	113,000	81	3.0 - 5.0	6	(2) 16 X 25 <sup>2</sup>	120/60/1	15	40	275
	1.00GPH-80°B	154,000	125,000								
RLUF80C57B08	.50GPH-80°A	70,000	57,000	82	2.0 - 2.5 <sup>1</sup>	6	16 x 25	120/60/1	15	12 <sup>3</sup>	230
RLUF80C84/95B10	.65GPH-80°B	105,000	85,000	81	2.0 - 3.5 <sup>1</sup>	6	16 x 25	120/60/1	15	12 <sup>3</sup>	230
	.75GPH-80°B	119,000	97,000								
RLUF80C112/125B16	.85GPH-80°B	140,000	113,000	81	4.0 - 5.0 <sup>1</sup>	6	(2) 16 x 25 <sup>2</sup>	120/60/1	20	12 <sup>3</sup>	280
	1.00GPH-80°B	154,000	125,000								

<sup>1</sup> See Table for Alternate Motors for Cooling Combinations

<sup>2</sup> Requires return air be brought to both side above 1600 CFM

<sup>3</sup> Heating only. Additional transformer required for cooling applications.

Note: Units shipped with filter(s) for side return.

Note: All models are rated at 140 psi pump pressure except the RLUF80C57/72 which is rated at 100 psi

## Blower Performance - Belt Drive

Model	Motor Size (hp)	Blower Size	Motor Pulley (in.)	Motor Pulley Adjustment	Blower Pulley (in.)	Belt Size (in.)	Temp. Rise (°F)	CFM @ .20 ext. static pressure in. W.C.
RLUF80C57B08	1/6	10 x 8	3 1/4	1 Turn	7	40	55-85	820
RLUF80C84/95B10	1/4	10 x 8	4	Closed	7	41	55-85 <sup>1</sup> 60-90 <sup>2</sup>	1,170
RLUF80C112/125B16	3/4	12 x 9	4	Closed	7	41	50-80 <sup>1</sup> 60-90 <sup>2</sup>	1,550

<sup>1</sup> Low Fire Nozzle

<sup>2</sup> High Fire Nozzle

## Blower Performance - Direct Drive

Model	Motor Size (hp)	Blower Size	Temp. Rise (°F)	Blower Speed	CFM @ ext. static pressure in. W.C.							
					.20	.30	.40	.50	.60	.70	.80	.90
RLUF80C57/72D12	1/3	10 x 8	50-80	High	1,412	1,356	1,299	1,222	1,154	1,075	988	890
				Med High	1,260	1,217	1,172	1,120	1,060	988	914	797
				Med	1,040	1,025	991	960	910	860	790	680
				Low	887	878	850	830	787	742	680	605
RLUF80C84/95D16	1/2	10 x 10	50-80	High	1,756	1,693	1,940	1,590	1,495	1,361	1,250	1,095
				Med High	1,445	1,425	1,400	1,335	1,287	1,200	1,065	965
				Med	1,191	1,181	1,147	1,110	1,054	985	894	827
				Low	989	979	961	926	880	835	775	690
RLUF80C112/125D20	3/4	12 x 11	45-75	High	2,204	2,140	2,058	2,000	1,900	1,850	1,680	1,560
				Med High	1,760	1,725	1,670	1,615	1,560	1,480	1,390	1,313
				Med	1,520	1,496	1,450	1,400	1,360	1,315	1,250	1,165
				Low	1,366*	1,329*	1,304*	1,250*	1,210*	1,180*	1,120*	1,040*

\*Not recommended for heating. Temperature rise may be outside acceptable range.

## Alternate Motors for Cooling Combinations - Belt Drive

Model	Nominal Cooling Capacity (tons)	Motor Size (hp)	Blower Size	Motor Pulley (in.)	Motor Pulley Adjustment	Blower Pulley (in.)	Belt Size (in.)	CFM @ ext. static pressure - in. W.C.			
								.20	.30	.40	.50
RLUF80C57B08	2.0 - 2.5	1/4	10 x 8	4	Closed	7	41	1,170	1,154	1,070	975
RLUF80C84/95B10	2.0 - 3.5	1/2	10 x 8	4	Closed	6	39	1,550	1,495	1,430	1,370
RLUF80C112/125B16	4.0 - 5.0	3/4	12 x 9	3 1/4	Closed	5	36	1,990	1,925	1,850	1,820

Note: Field converted with different size motor for cooling applications.

# Accessories

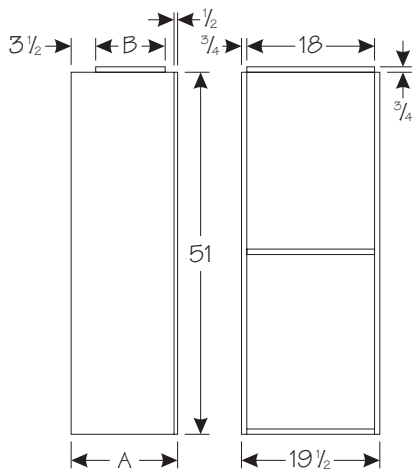
Description	Used with	Kit Number
Clean Out Kit	All models	ABRSH380-3
Tjernlund Side Wall Vent Kit <sup>1</sup>	All models	ASVNT522
Field Controls Side Wall Vent Kit <sup>2</sup>	All models	ASVNT523
Evaporator Coil Cabinet	RLUF57/72/84/95 with 15 1/2" - 17 1/2" wide coil	ACOILKDCC19
Evaporator Coil Cabinet	RLUF84/95 with 21" wide coil	ACOILKDCC22
Evaporator Coil Cabinet	RLUF112/125 with 21"-23" wide coil	ACOILKDCC27
External Filter Rack	All RLUF models.	AFILTHA7-2
Side Return Air Cabinet	RLUF57/84/95	ARCABHA-8
Side Return Air Cabinet	RLUF112/125	ARCABHA-9
Combustion Air Kit	All models	ABOOT571
Clean Out Cap Kit	All models	ACAP570

<sup>1</sup> This can be ordered from Tjernlund, part number SSII.

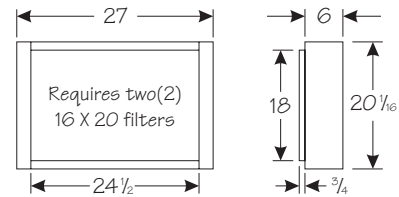
<sup>2</sup> This can be ordered from Field Controls, part number SWG-5-CK61.

## Side Return Aid Cabinet

Model	A	B
ARCABHA-8	15	10
ARCABHA-9	21	16



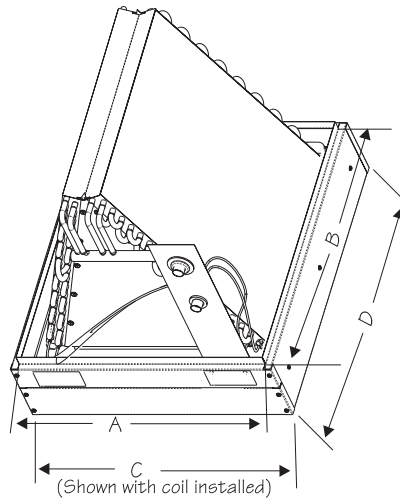
## External Filter Rack



# Accessories

## Evaporator Coil Cabinet

Model	Plenum		Cabinet	
	A	B	C	D
AAOILKDCC19	18 1/2	21 1/8	19 1/2	22 1/8
AAOILKDCC22	21 1/2	22 1/4	22 1/2	23 1/4
AAOILKDCC27	25	24 1/4	26	25 5/8



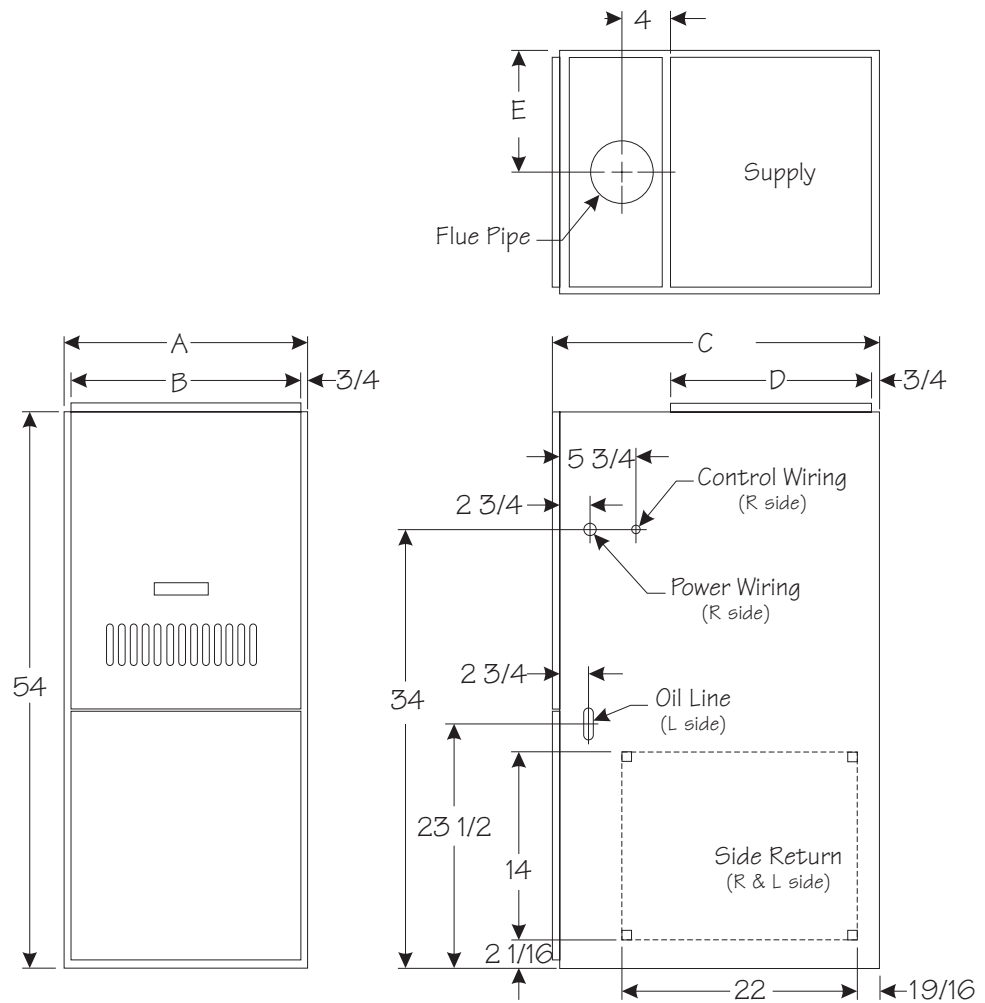
## Dimensions (in.)

Model	A	B	C	D	E
RLUF80C57/72	19 1/2	18	30 5/8	19 5/8	9 3/4
RLUF80C84/95					
RLUF80C112/125	22 1/2	21	33 1/8	22 1/8	11 1/4

## Clearances (in.)

Model Number	Front*	Sides	Rear
RLUF80C57/72	4	0	0
RLUF80C84/95			
RLUF80C112/125			

\*For service requirements normally 24".



All specifications and illustrations subject to change without notice and without incurring obligations..

www.ducanehvac.com  
For more information, contact your local Ducane distributor.



## Free Manuals Download Website

<http://myh66.com>

<http://usermanuals.us>

<http://www.somanuals.com>

<http://www.4manuals.cc>

<http://www.manual-lib.com>

<http://www.404manual.com>

<http://www.luxmanual.com>

<http://aubethermostatmanual.com>

Golf course search by state

<http://golfingnear.com>

Email search by domain

<http://emailbydomain.com>

Auto manuals search

<http://auto.somanuals.com>

TV manuals search

<http://tv.somanuals.com>