

Split System Enhanced Heat Pump

14
seer

2HP14 Features

- Durable scroll compressors, with internal pressure relief valves and inherent thermal protection
- High-quality condenser coil with copper tubing and enhanced louvered fin for maximum heat transfer capacity
- Top discharge directs hot air and sound away from living area and shrubbery
- All units are factory run tested
- Available with louvered panel or wire guard coil protection option
- Easy access to electrical panels, pre-wired for easy hook-up
- Hinged control panel allows simple access to internal components
- Bi-directional liquid line filter dryer factory installed
- Discharge muffler for quiet operation
- Reliable, solid state time / temperature defrost control, with field selectable 30/60/90 minute intervals
- Defrost control is Quiet Shift capable
- Low pressure switch factory installed for loss of charge protection
- Integrated control with LED diagnostics
- Short cycle protection factory installed
- All units ETL, ETLIC approved and ARI listed
- Charged for 15 feet of interconnecting tubing
- Warranties: 10 year compressor; 5 year parts; (see warranty certificate for details)

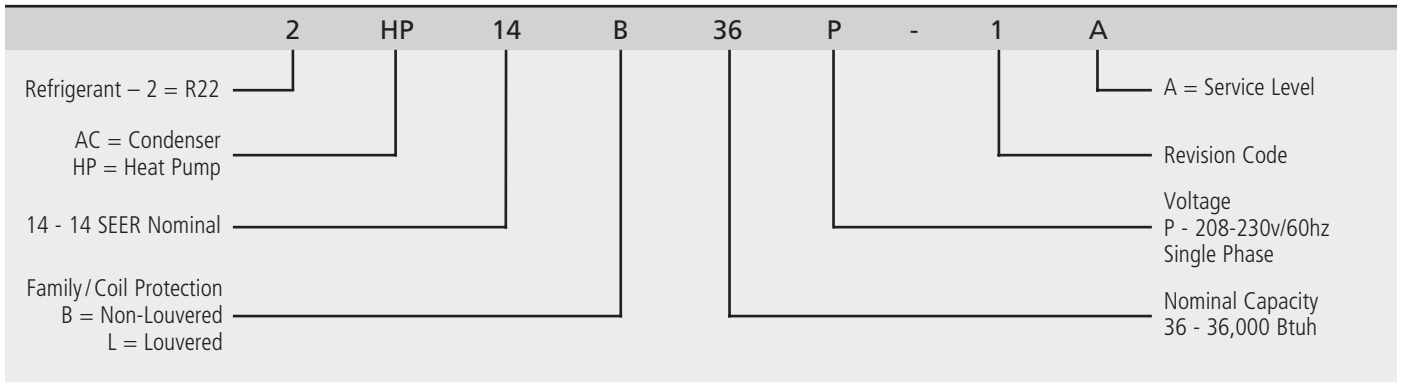


L Model



B Model

Model Number Guide



Voltage/Phase/Hz

Model	Voltage/ Hz/Phase	Voltage Range	Compressor		Fan Motor			Min. Circuit Ampacity	Maximum Over- Current Device	Refrig.* Charge (oz.)
			Rated Load (Amps)	Locked Rotor (Amps)	Condenser Fan HP	Rated Load (Amps)	Nom. RPM			
2HP14*18P-1*	208-230/1/60	197 - 253	8.3	41	1/10	0.7	1075	11.1	20	139
2HP14*24P-1*	208-230/1/60	197 - 253	10.3	56	1/10	0.7	1075	14.6	25	131
2HP14*30P-1*	208-230/1/60	197 - 253	12.2	61	1/5	0.8	1075	16.0	25	160
2HP14*36P-1*	208-230/1/60	197 - 253	13.5	73	1/5	0.8	1075	18.4	30	177
2HP14*42P-1*	208-230/1/60	197 - 253	16.5	95	1/4	1.4	1075	22.2	35	188
2HP14*48P-1*	208-230/1/60	197 - 253	18.0	104	1/4	1.4	1075	23.7	40	273
2HP14*60P-1*	208-230/1/60	197 - 253	19.2	137	1/3	2.0	1075	26.0	40	252

*15 feet of line sets included.

Sound Ratings

Model	Sound Rating (dBa)	Weight
2HP14(B,L)18P-1*	78	162
2HP14(B,L)24P-1*	79	175
2HP14(B,L)30P-1*	79	187
2HP14(B,L)36P-1*	79	195
2HP14(B,L)42P-1*	78	222
2HP14(B,L)48P-1*	78	224
2HP14(B,L)60P-1*	80	275

Cooling/Heating Performance

Outdoor Model	Indoor Model	Cooling				Heating		CFM	Required Indoor Expansion Device
		BTUH	SEER	EER	S/T	BTUH	HSPF		
2HP14*18P-1*	RBCS2M18COONAT	19,000	14.00	12.5	0.71	17,000	7.70	650	TXV3
	RBCS2M18OONAP+TXV	19,000	14.00	12.5	0.71	17,000	7.70	650	TXV3
	HP14B18/EC2T28/CMPEV050	19,000	15.00	13.0	0.72	17,000	7.70	650	TXV3
	HP14B18/EC1P29+TXV/CMPEV050	19,000	15.00	13.0	0.72	17,000	7.70	650	TXV3
	HP14B18/EC2T36/CMPEV050	19,000	15.00	13.0	0.72	17,000	7.70	650	TXV3
	HP14B18/EC1P36+TXV/CMPEV050	19,000	15.00	13.0	0.72	17,000	7.70	650	TXV3
	HP14B18/EC2T29/CMPEV075	19,000	15.00	13.0	0.72	17,000	7.70	650	TXV3
	HP14B18/EC1P29+TXV/CMPEV075	19,000	15.00	13.0	0.72	17,000	7.70	650	TXV3
	HP14B18/EC2T36/CMPEV075	19,000	15.00	13.0	0.72	17,000	7.70	650	TXV3
	HP14B18/EC1P36+TXV/CMPEV075	19,000	15.00	13.0	0.72	17,000	7.70	650	TXV3
	HP14B18/EC2T29/MPGAV050	19,000	15.00	13.0	0.72	17,000	7.70	650	TXV3
	HP14B18/EC1P29+TXV/MPGAV050	19,000	15.00	13.0	0.72	17,000	8.00	650	TXV3
	HP14B18/EC2T36/MPGAV050	19,000	15.00	13.4	0.72	17,000	8.00	650	TXV3
	HP14B18/EC1P36+TXV/MPGAV050	19,000	15.00	13.4	0.72	17,000	8.00	650	TXV3
	HP14B18/EC2T19/MPGAV075	19,000	15.00	13.4	0.72	17,000	8.00	650	TXV3
	HP14B18/EC1P28+TXV/MPGAV075	19,000	15.00	13.4	0.72	17,000	8.00	650	TXV3
	HP14B18/EC2T36/MPGAV075	19,000	15.00	13.4	0.72	17,000	8.00	650	TXV3
HP14B18/EC1P36+TXV/MPGAV075	19,000	15.00	13.4	0.72	17,000	8.00	650	TXV3	
2HP14*24P-1*	RBCS2M24COONAT	25,000	14.00	12.0	0.68	21,800	8.20	850	TXV3
	RBCS2M24COONAP+TXV	25,000	14.00	12.0	0.68	21,800	8.20	850	TXV3
	EC2T29/CMPEV050	25,000	14.20	12.0	0.68	22,500	8.20	850	TXV3
	EC1P29+TWV/CMPEV050	25,000	14.20	12.0	0.68	22,500	8.20	850	TXV3
	EC2T36/CMPEV050	25,000	14.20	12.0	0.678	22,500	8.20	850	TXV3
	EC1P36+TXV/CMPEV050	25,000	14.20	12.0	0.68	22,500	8.20	850	TXV3
	EC2T29/GMPEV075	25,000	14.20	12.0	0.68	22,500	8.20	850	TXV3
	EC1P29+TXV/CMPEV075	25,000	14.20	12.0	0.68	22,500	8.20	850	TXV3
	EC2T36/CMPEV075	25,000	14.20	12.0	0.68	22,500	8.20	850	TXV3
	EC1P36+TXV/CMPEV075	25,000	14.20	12.0	0.68	22,500	8.20	850	TXV3
	EC2T29/MPGAV050	25,000	14.50	12.0	0.68	22,500	8.20	850	TXV3
	EC1P9+TXV/MPGAV050	25,000	14.50	12.4	0.68	22,500	8.20	850	TXV3
	EC2T36/MPGAV050	25,000	14.50	12.4	0.68	22,500	8.20	850	TXV3
	EC1P36+TXV/MPGAV050	25,000	14.50	12.4	0.68	22,500	8.20	850	TXV3
	EC2T19/MPGAV075	25,000	14.80	12.4	0.68	22,500	8.20	850	TXV3
	EC1P29+TXV/MPGAV075	25,000	14.80	12.4	0.68	22,500	8.20	850	TXV3
	EC2T36/MPGAV075	25,000	14.80	12.4	0.68	22,500	8.20	850	TXV3
EC1P36+TXV/MPGAV075	25,000	14.80	12.4	0.68	22,500	8.20	850	TXV3	

Cooling/Heating Performance

Outdoor Model	Indoor Model	Cooling				Heating		CFM	Required Indoor Expansion Device
		BTUH	SEER	EER	S/T	BTUH	HSPF		
2HP14*30P-1*	RBC52M30COONAT	28,400	14.00	12.0	0.72	26,000	8.20	1,050	TXV3
	RBCS2M30COONAP+TXV	28,400	14.00	12.0	0.72	26,000	8.20	1,050	TXV3
	EC2T36	28,400	13.50	12.0	0.72	26,000	7.70	1,050	TXV3
	EC1P36+TXV	28,400	13.50	12.0	0.72	26,000	7.70	1,050	TXV3
	EC2T43	29,000	13.50	12.0	0.72	26,000	7.70	1,050	TXV3
	EC1P43+TXV	29,000	13.50	12.0	0.72	26,000	7.70	1,050	TXV3
	EC2T48	28,800	13.50	12.0	0.72	26,000	7.70	1,050	TXV3
	EC1P48+TXV	28,800	13.50	12.0	0.72	26,000	7.70	1,050	TXV3
	EC2T36/CMPEV050	29,000	14.00	12.0	0.72	26,000	8.20	1,050	TXV3
	EC1P36+TXV/CMPEV050	29,000	14.00	12.0	0.72	26,000	8.20	1,050	TXV3
	EC2T36/CMPEV075	29,000	14.00	12.0	0.72	26,000	8.20	1,050	TXV3
	EC1P36+TXV/CMPEV075	29,000	14.00	12.0	0.72	26,000	8.20	1,050	TXV3
	E2T36/CMPEV100	29,000	14.50	12.8	0.72	26,000	8.20	1,050	TXV3
	EC1P36+TXV/CMPEV100	29,000	14.50	12.8	0.72	26,000	8.20	1,050	TXV3
	EC2T43/CMPEV100	29,000	14.50	12.8	0.72	26,000	8.20	1,050	TXV3
	EC1P43+TXV/CMPEV100	29,000	14.50	12.8	0.72	26,000	8.20	1,050	TXV3
	EC2T48/CMPEV100	29,000	14.50	12.8	0.72	26,000	8.20	1,050	TXV3
	EC1P43+TXV/CMPEV100	29,000	14.50	12.8	0.72	26,000	8.20	1,050	TXV3
	EC2T36/MPGAV050	29,000	14.20	12.6	0.72	26,000	8.20	1,050	TXV3
	EC1P36+TXV/MPGAV050	29,000	14.20	12.6	0.72	26,000	8.20	1,050	TXV3
	EC2T36/MPGAV075	29,000	14.20	12.6	0.72	26,000	8.20	1,050	TXV3
	EC1P36+TXV/MPGAV075	29,000	14.20	12.6	0.72	26,000	8.20	1,050	TXV3
	EC2T43/MPGAV075	29,000	14.20	12.6	0.72	26,000	8.20	1,050	TXV3
	EC1P43+TXV/MPGAV075	29,000	14.20	12.6	0.72	26,000	8.20	1,050	TXV3
	EC2T48/MPGAV075	29,000	14.20	12.6	0.72	26,000	8.20	1,050	TXV3
	EC1P48+TXV/MPGAV075	29,000	14.20	12.6	0.72	26,000	8.20	1,050	TXV3
	EC2T36/MPGAV100	29,000	14.50	12.8	0.72	26,000	8.20	1,050	TXV3
	EC1P36+TXV/MPGAV100	29,000	14.50	12.8	0.72	26,000	8.20	1,050	TXV3
	EC2T43/MPGAV100	29,000	14.50	12.8	0.72	26,000	8.20	1,050	TXV3
	EC1P43+TXV/MPGAV100	29,000	14.50	12.8	0.72	26,000	8.20	1,050	TXV3
EC2T48/MPGAV100	29,000	14.50	12.8	0.72	26,000	8.20	1,050	TXV3	
2HP14*36P-1*	RCBS2M36T	35,000	14.00	12.0	0.73	33,000	8.20	1,250	TXV3
	RCBS2M36P+TXV	35,000	14.00	12.0	0.73	33,000	8.20	1,250	TXV3
	EC2T36+CMPEV100	35,000	14.50	12.0	0.74	33,000	8.20	1,250	TXV3
	EC1P36+CMPEV100+TXV	35,000	14.50	12.0	0.74	33,000	8.20	1,250	TXV3
	EC2T36+MPGAV075	35,000	14.50	12.0	0.75	33,000	8.20	1,250	TXV3
	EC1P36+MPGAV075+TXV	35,000	14.50	12.0	0.75	33,000	8.20	1,250	TXV3
	EC2T43+MPGAV075	35,000	14.50	12.0	0.73	32,800	8.20	1,250	TXV3
	EC1P43+MPGAV075+TXV	35,000	14.50	12.0	0.73	32,800	8.20	1,250	TXV3

Cooling/Heating Performance

Outdoor Model	Indoor Model	Cooling				Heating		CFM	Required Indoor Expansion Device	
		BTUH	SEER	EER	S/T	BTUH	HSPF			
2HP14*36P-1* Cont...	EC2T48+MPGAV075	35,000	14.50	12.0	0.73	32,400	8.00	1,250	TXV3	
	EC1P48+MPGAV075+TXV	35,000	14.50	12.0	0.73	32,400	8.00	1,250	TXV3	
	EC2T36+MPGAV100	35,000	14.50	12.0	0.74	33,000	8.20	1,250	TXV3	
	EC1P36+MPGAV100+TXV	35,000	14.50	12.0	0.74	33,000	8.20	1,250	TXV3	
	EC2T43+MPGAV100	35,000	14.50	12.4	0.73	32,800	8.20	1,250	TXV3	
	EC1P43+MPGAV100+TXV	35,000	14.50	12.4	0.73	32,800	8.20	1,250	TXV3	
	EC2T48+MPGAV100	35,000	15.00	12.4	0.73	32,400	8.00	1,250	TXV3	
	EC1P48+MPGAV100+TXV	35,000	15.00	12.4	0.73	32,400	8.00	1,250	TXV5	
2HP14*42P-1*	RBCS2M42COONAT	41,500	14.00	12.0	0.71	38,500	8.20	1,450	TXV5	
	RBCS2M42COONAP+TXV	41,500	14.00	12.0	0.71	38,500	8.20	1,450	TXV5	
	EC2T43BC+MPGAV100	41,000	14.00	12.0	0.71	37,500	8.20	1,450	TXV5	
	EC1P43BC+MPGAV100+TXV	41,000	14.00	12.0	0.71	37,500	8.20	1,450	TXV5	
	EC2T50C+MPGAV100	40,500	14.00	12.0	0.71	37,500	8.20	1,450	TXV5	
	EC1P50C+MPGAV100+TXV	40,500	14.00	12.0	0.71	37,500	8.20	1,450	TXV5	
	EC2T49C+MPGAV100	41,500	14.50	12.4	0.71	38,000	8.20	1,450	TXV5	
	EC1P49C+MPGAV100+TXV	41,500	14.50	12.4	0.71	38,000	8.20	1,450	TXV5	
	EC2T43BC+MPGAV125	41,000	14.50	12.4	0.71	37,500	8.20	1,450	TXV5	
	EC1P43BC+MPGAV125+TXV	41,000	14.50	12.4	0.71	37,500	8.20	1,450	TXV5	
	EC2T50C+MPGAV125	41,000	14.50	12.4	0.71	37,000	8.20	1,450	TXV5	
	EC1P50C+MPGAV125+TXV	41,000	14.50	12.4	0.71	37,000	8.20	1,450	TXV5	
	EC2T49C+MPGAV125	42,000	15.00	12.6	0.71	37,500	8.20	1,450	TXV5	
	EC1P49C+MPGAV125+TXV	42,000	15.00	12.6	0.71	37,500	8.20	1,450	TXV5	
	2HP14*48P-1*	RBCS2M60COONAP+TXV	47,000	14.00	12.0	0.77	45,500	8.20	1,650	TXV5
		RBCS2M60COONAT	47,000	14.00	12.0	0.77	45,500	8.20	1,650	TXV5
EC2T49C		47,000	14.00	11.8	0.76	45,500	8.20	1,650	TXV5	
EC1P49C+TXV		47,000	14.00	11.8	0.76	45,500	8.20	1,650	TXV5	
EC2T62D		47,000	14.00	11.8	0.76	45,500	8.20	1,650	TXV5	
EC1P62D+TXV		47,000	14.00	11.8	0.76	45,500	8.20	1,650	TXV5	
EC2T49C+MPGAV125		47,500	14.00	12.0	0.76	45,500	8.20	1,650	TXV5	
EC1P49C+MPGAV125+TXV		47,500	14.00	12.0	0.76	45,500	8.20	1,650	TXV5	
EC2T62D+MPGAV125		47,500	14.00	12.0	0.76	45,500	8.20	1,650	TXV5	
EC1P62D+MPGAV125+TXV	47,500	14.00	12.0	0.76	45,500	8.20	1,650	TXV5		
2HP14*60P-1*	RBCS2M60V**NA2T	53,000	14.00	12.0	0.76	52,000	7.70	1,950	TXV5	
	RBCS2M60V**NAP+TXV	53,000	14.00	12.0	0.76	52,000	7.70	1,950	TXV5	
	EC2T62NC+BDK	53,000	13.00	11.5	0.76	53,000	7.70	1,950	TXV5	
	EC1P62NC+TXV+BDK	53,000	13.00	11.5	0.76	53,000	7.70	1,950	TXV5	
	EC2T62D+BDK	53,000	13.00	11.5	0.76	53,000	7.70	1,950	TXV5	
	EC1P62D+TXV+BDK	53,000	13.00	11.5	0.76	53,000	7.70	1,950	TXV5	

Expanded Cooling Performance

Outdoor Model	Indoor Model	Indoor Temp. (DB /WB°F)	65° F Outdoor			85° F Outdoor			95° F Outdoor			105° F Outdoor			115° F Outdoor		
			Btuh	S / T Ratio	kW	Btuh	S / T Ratio	kW	Btuh	S / T Ratio	kW	Btuh	S / T Ratio	kW	Btuh	S / T Ratio	kW
2HP14*18P-1*	RBCS2M18C***	80/67	20,700	0.64	1320	19,800	0.68	1410	19,300	0.7	1520	18,300	0.73	1570	17,000	0.73	1620
2HP14*24P-1*	RBCS2M24C***	80/67	28,600	0.61	1790	27,300	0.65	2050	26,600	0.67	2150	25,300	0.7	2240	23,400	0.7	2310
2HP14*30P-1*	RBCS2M30C***	80/67	31,300	0.66	2000	29,800	0.7	2200	29,100	0.72	2310	27,600	0.75	2400	25,600	0.75	2480
2HP14*36P-1*	RBCS2M36C***	80/67	37,800	0.66	2490	36,100	0.7	2750	35,200	0.72	2880	33,400	0.75	3000	31,000	0.75	3100
2HP14*42P-1*	RBCS2M42C***	80/67	44,700	0.66	2880	42,600	0.7	3260	41,600	0.72	3420	39,500	0.75	3550	36,600	0.75	3780
2HP14*48P-1*	RBCS2M60C***	80/67	51,100	0.66	3270	48,800	0.7	3700	47,600	0.72	3890	45,200	0.75	4040	41,900	0.75	4170
2HP14*60P-1*	RBCS2M60V***	80/67	57,000	0.69	3660	54,300	0.74	4180	53,000	0.76	4400	50,400	0.79	4580	46,600	0.80	4740

Indoor 80 db/ 67 wb

Expanded Heating Performance

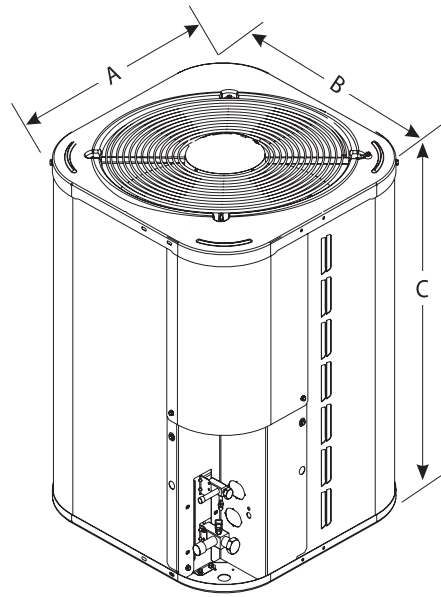
Outdoor Model	Indoor Model	Indoor Temp.	17° F Outdoor			35° F Outdoor			47° F Outdoor			60° F Outdoor		
			Btuh	COP	kW	Btuh	COP	kW	Btuh	COP	kW	Btuh	COP	kW
2HP14*18P-1*	RBCS2M18C***	70	9,500	1.96	1420	14,500	3.00	1410	17,500	3.46	1480	20,800	3.92	1550
2HP14*24P-1*	RBCS2M24C***	70	14,200	2.18	1900	19,000	2.90	1910	22,900	3.33	2010	27,200	3.76	2120
2HP14*30P-1*	RBCS2M30C***	70	15,700	2.2	2090	22,000	2.59	2150	26,500	3.43	2260	31,500	3.88	2380
2HP14*36P-1*	RBCS2M36C***	70	20,500	2.35	2560	27,600	2.97	2720	33,200	3.4	2860	39,500	3.85	3010
2HP14*42P-1*	RBCS2M42C***	70	23,900	2.31	3030	32,100	2.94	3200	38,700	3.38	3360	46,100	3.82	3530
2HP14*48P-1*	RBCS2M60C***	70	26,700	2.41	3220	35,300	3.11	3330	43,700	3.49	3490	50,600	4.04	3660
2HP14*60P-1*	RBCS2M60V***	70	27,600	2.31	3500	35,000	2.40	3920	52,000	3.71	4100	54,400	3.84	4150

Accessories

Description	Kit Number	Catalog No.	Where Used						
			18	24	30	36	42	48	60
Hard Start Kit	20442715	12W59	x	x	x	x	x	x	x
High Pressure Kit	20442506	14W09	x	x	x	x	x	x	x
Low Pressure Kit			Standard Factory Installed on all models						
Short Cycle Protection			Standard Factory Installed on all models						
Crankcase Heater	20442805	14W05	x	x	x	x	x	x	x
Sound Blanket	20442908	14W00	x	x	x				
	20442906	14W02				x	x	x	x
Outdoor Thermostat	20444702		x	x	x	x	x	x	x
Fossil Fuel Kit	20444602		x	x	x	x	x	x	x
TXV	20444903	1.851356	x	x	x	x			
	20444904	1.851357					x	x	x
Cold Weather Kit (CWK-1)	48666-001	1.921145	x	x	x	x	x	x	x

Unit Dimensions

Model	A - Width (Inches)	B - Depth (Inches)	C - Height (Inches)
18	30	30	25-1/2
24	30	30	25-1/2
30	30	30	29-1/2
36	30	30	29-1/2
42	30	30	41-1/2
48	30	30	41-1/2
60	30	30	41-1/2



Ducane[®]
**AIR CONDITIONING
 AND HEATING**

www.ducanehvac.com

1-800-448-5872



All specifications and illustrations subject to change without notice and without incurring obligations.

Free Manuals Download Website

<http://myh66.com>

<http://usermanuals.us>

<http://www.somanuals.com>

<http://www.4manuals.cc>

<http://www.manual-lib.com>

<http://www.404manual.com>

<http://www.luxmanual.com>

<http://aubethermostatmanual.com>

Golf course search by state

<http://golfingnear.com>

Email search by domain

<http://emailbydomain.com>

Auto manuals search

<http://auto.somanuals.com>

TV manuals search

<http://tv.somanuals.com>