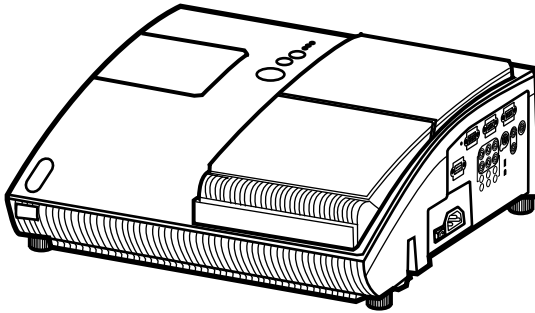


Data Video Projector User's Manual (Concise) MODEL 8103H



Information in this Guide may change due to product improvements. To obtain the latest manuals, literature, and software please visit the Dukane web site at: www.dukane.com/av and look at the specific model **SUPPORT** or **DOWNLOADS** section.

DUKANE CORP AV SERVICE DEPT
2900 Dukane Drive
St Charles, IL 60174
800-676-2487 / 630-762-4032
Fax 630-584-5156
avservice@dukane.com
www.dukane.com/av

403-8103H-C-00 Concise

Projector

8103H

User's Manual (concise)

Thank you for purchasing this product.

Please read the manuals for the product beforehand, in order to use the product safely and more effectively. To read the manuals in the CD, see the “15. Using the CD manual” (📖16).

⚠️ WARNING

- Before using this product, be sure to read all the manuals for the product. Heed all the warnings and cautions in the manuals or on the product. Follow all the instructions in the manuals or on the product. Retain the manuals in a safe place for future reference.
- The manufacturer assumes no responsibility for any damage caused by mishandling that is beyond normal usage defined in these manuals of this projector.

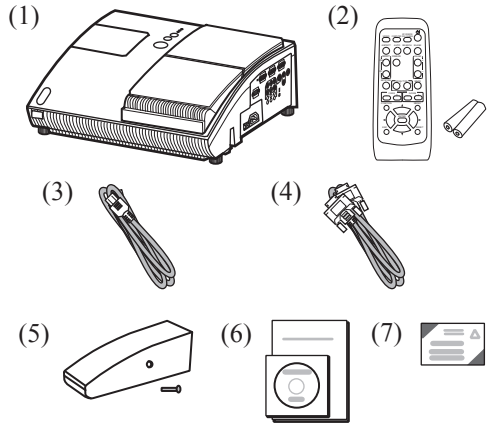
Contents

	📖		📖
1. Checking the contents	2	11. Turning the projector off.....	11
2. Arrangement	2	12. Replacing the lamp.....	12
3. Connecting with your devices.....	4	13. Maintaining the air-filter	14
4. Connecting with a power supply....	5	14. Caring for the mirror and lens....	15
5. Using the security bar and slot	6	15. Using the CD manual	16
6. Using the cable cover	6	16. Regulatory notices.....	17
7. Preparing for the remote control....	7	17. Warranty and after-service	18
8. Starting the projector	8	18. Specifications	19
9. Adjusting the projection position	9		
10. Operation.....	9		

1. Checking the contents

Check that all the following items are included. If any items are missing, tell your dealer soon.

- (1) Projector
- (2) Remote control with two batteries
- (3) Power cord
- (4) Computer cable
- (5) Cable cover with a screw
- (6) User's manuals (a booklet, a CD)
- (7) Security label



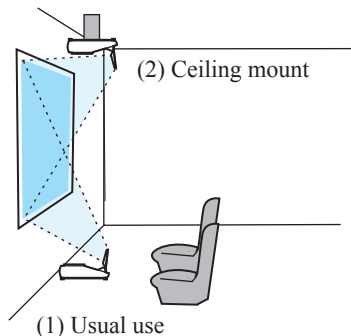
⚠ WARNING

- Keep the original packing materials, and use for transporting this product.

2. Arrangement

Install the projector in a stable, cool, dry and airy place, keeping a space of 30 cm or more between the sides of the projector and other objects such as walls.

Refer to the following to decide the projection style. For the case of installation in a special state such as ceiling mount, the specified mounting accessories and service may be required. Before installing the projector, consult your dealer about your installation.



NOTE

- When installing the projector, confirm that there is nothing that blocks the projection light between the projector and the screen.
- When installing the projector, check that the remote sensors are not exposed to any strong ray (☞7).
- Install the projector in the way specified in this manual. Otherwise the projection lamp may not light.

2. Arrangement (continued)

Refer to the following for the projection distance.

The values shown in the table are calculated for a full size screen: 1024 x 768.

Ⓐ: Screen size (diagonal)

Ⓑ1 Ⓑ2: Projection distance (±8%)

Ⓒ1 Ⓒ2: Screen height (±8%)

(1)

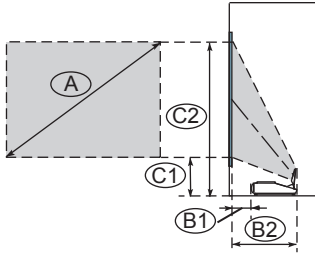


Table for 4:3 screen

Ⓐ	Ⓑ1		Ⓑ2		Ⓒ1		Ⓒ2	
inch	cm	inch	cm	inch	cm	inch	cm	inch
60	9.6	4	47.4	19	28.9	11	120.4	47
70	17.2	7	55.0	22	32.6	13	139.3	55
80	24.8	10	62.6	25	36.2	14	158.2	62
90	32.4	13	70.2	28	39.9	16	177.1	70
100	39.9	16	77.7	31	43.6	17	196.0	77

(2)

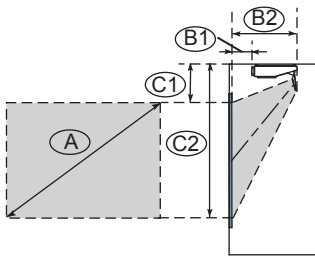


Table for 16:9 screen

Ⓐ	Ⓑ1		Ⓑ2		Ⓒ1		Ⓒ2	
inch	cm	inch	cm	inch	cm	inch	cm	inch
60	13.7	5	51.5	20	43.5	17	118.3	47
70	22.0	9	59.8	24	49.6	20	136.8	54
80	30.2	12	68.0	27	55.7	22	155.3	61
90	38.5	15	76.3	30	61.8	24	173.9	68
100	46.6	18	84.4	33	67.9	27	192.3	76

NOTE

- It is recommended to adjust the screen size from 60 inch to 100 inch diagonal. The screen image adjusted out of this range, either smaller or larger, may be deteriorated.

⚠ WARNING

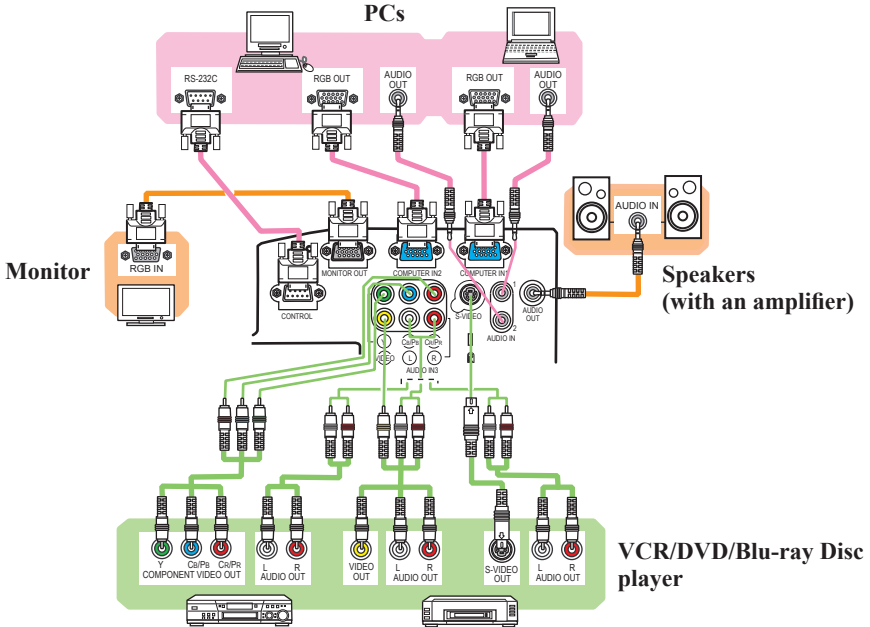
- Install the projector only under the specified condition using only the specified accessory, since others may cause hazards.
- Do not set the up projector while it is connected to a power supply, to prevent an electric shock and a fire.

⚠ CAUTION

- Do not block the vents on the projector. Do not place anything such as a piece of paper that can stick to the intake vents, around the projector. Do not place or attach anything that would block the lens or vent holes.

3. Connecting with your devices

Before connecting them, make sure that the devices are suitable to connect with this projector, and prepare the required signal cables and adapters. Consult your dealer if the accessory that is not included in this product is required. Refer to the following for connection. If you want to use the cable cover, see the paragraph “6. Using the cable cover” (6) beforehand.



⚠ WARNING

- Use only the accessories contained in this product or recommended by your dealer. Do not modify the projector or accessories.
- For the cable with a ferrite core only at one end, connect the end with the core to the projector. The cables may be required a specific length or a ferrite core by the regulations.
- Be careful not to damage the cables. Route the cables so that they are not likely to be walked on or pinched by items placed upon or against them.

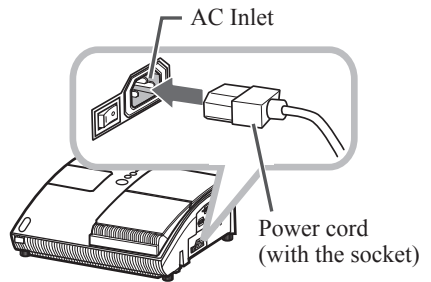
⚠ CAUTION

- Do not connect or disconnect the projector with devices while they are connected to a power supply, except for the cases directed by the manuals.
- Be careful not to set a connector into a wrong port or with a wrong way.

4. Connecting with a power supply

Before connection, confirm that the power outlet is suitable for this projector and the power cord. Then follow the procedure below for connection.

1. Insert the end of the power cord with the socket into the AC inlet of the projector.
2. Plug the other end of the power cord into a power outlet.



⚠ WARNING

- Be careful of operation for a power supply not to cause an electric shock or a fire.
- Do not handle the power cord with the wet hand.
- Use this product with only the type of power supply indicated on the projector.
- Use a power outlet that is close to the projector and easily accessible.
- Connect firmly the power cord not to result in loose connection. Do not use a loose or unsound power outlet.
- Do not overload the outlet, since overloading can result in a risk of fire or electric shock.
- Use only the power cord contained in this product unless it is damaged. If it is damaged, consult your dealer to get new one. Do not modify the power cord.

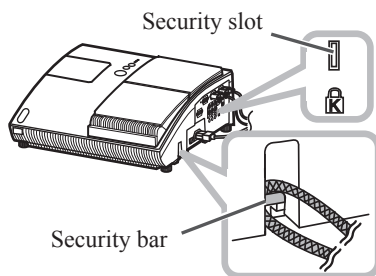
5. Using the security bar and slot

This projector has the security bar for a commercial anti-theft chain or wire up to 10 mm in diameter, and also the security slot for the Kensington lock.

For details, see the manual of the security tool.

NOTE

- These are not provided as comprehensive theft preventions but supplemental measures.



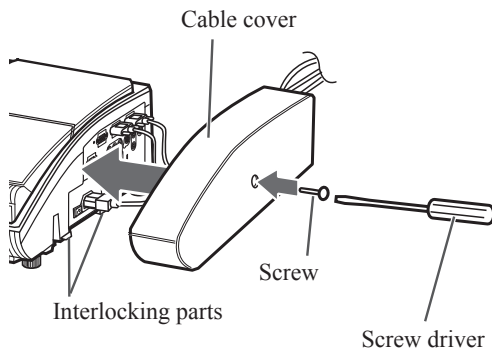
⚠ WARNING

- Do not place the anti-theft chain or wire near the projector's exhaust vents, since the chain or wire heated by the hot exhaust gas may cause a burn.
- Do not use the security bar or slot for the purpose of fall prevention, since these are not designed for it.

6. Using the cable cover

Utilize the cable cover as the guard and blind for the connecting parts.

1. Connect the signal cables and the power cord to the projector first.
2. Attach the cable cover to the projector, uniting the interlocking parts.
3. Tighten the screw to fix the cable cover.
4. Connect the other ends of the cables to other devices, and plug the power cord to the power outlet.



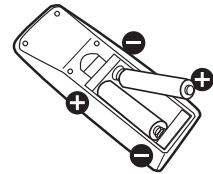
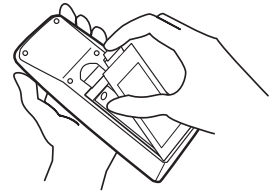
⚠ CAUTION

- Be careful not to pinch the cables in the cable cover, to prevent damage to the cables.

7. Preparing for the remote control

The accessory remote control needs batteries. Use the batteries included in this product or two new batteries of the specified type: **HITACHI MAXELL**, part number **LR6** or **R6P**. Follow the following procedure.

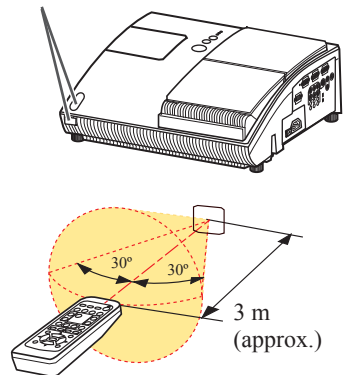
1. Remove the battery cover in the back of the remote control.
2. Put the batteries into the battery holder, according to the polarity markings (+) and (-) inside the holder.
3. Put the battery cover back to the former state.



NOTE

- Try changing the batteries when the remote control malfunctions.
- This remote control works with the remote sensors on the projector using infrared light (Class 1 LED). The active sensor senses the remote control signal assigned within 60 degrees to right and left, and within 3 meters. For details, see the **Operating Guide** in the CD.
- Prevent the remote sensors from being hit by a strong ray. It may cause malfunction of the projector and remote control.

Remote sensors



⚠ WARNING

- Be careful of handling a battery, as a battery can cause explosion, cracking or leakage, which could result in a fire, an injury, and environment pollution.
- Use only the specified and new battery. Do not use a battery with damage, such as a scratch, a dent, rust or leakage. Do not mix a new battery with used one.
- When a battery leaked, wipe the leakage out well with a waste cloth. If the leakage adhered to your body, immediately rinse it well with water. When a battery leaked in the battery holder, replace the batteries after wiping the leakage out.
- Make sure the plus and minus terminals are correctly aligned when loading a battery.
- Do not work on a battery; for example recharging or soldering.
- Do not keep the batteries put into the remote control when the remote control is not used for a long while. Keep a battery in a dark, cool and dry place. Never expose a battery to a fire or water.
- Obey the local laws on disposing a battery.

8. Starting the projector

Turn on the projector and the connected devices. Turn on the projector ahead of other connected devices, unless mentioned in the manuals.
For this projector, follow the procedure below.

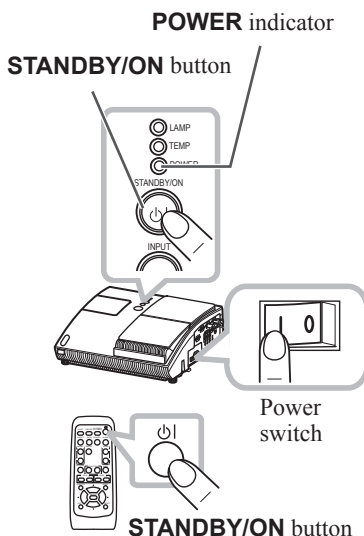
1. Press the side marked “I” of the power switch, as the power-on position.
The **POWER** indicator lights up in orange.

NOTE

- For a couple of seconds after the power indicator lights up, wait to use the control buttons (on the projector and remote control).
The buttons may not work soon.

2. Confirm that there is nothing that the lens door hits while opening.
Then, press the **STANDBY/ON** button (on the projector or remote control).
The lens door opens, the projection lamp lights up, and the **POWER** indicator begins to blink green.

When the projector starts completely, the indicator will turn steady green.



NOTE

- This projector has the **DIRECT POWER ON** function. For details, see the **Operating Guide** in the CD.
- Install the projector in the way specified in this manual. Otherwise the projection lamp may not light.

⚠ **WARNING**

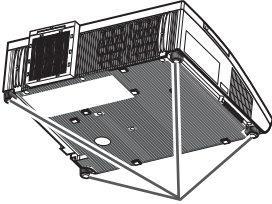
- Never look into the projection lens or mirror while the projection lamp lights, since the projection lamp ray may cause a trouble on your eyes.

⚠ **CAUTION**

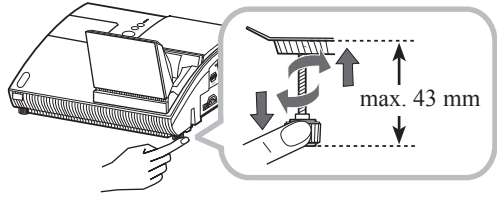
- Be careful not to pinch your finger with the lens door, as it may cause an injury.

9. Adjusting the projection position

This projector has four elevator feet in the bottom. Use them to adjust the projection position.



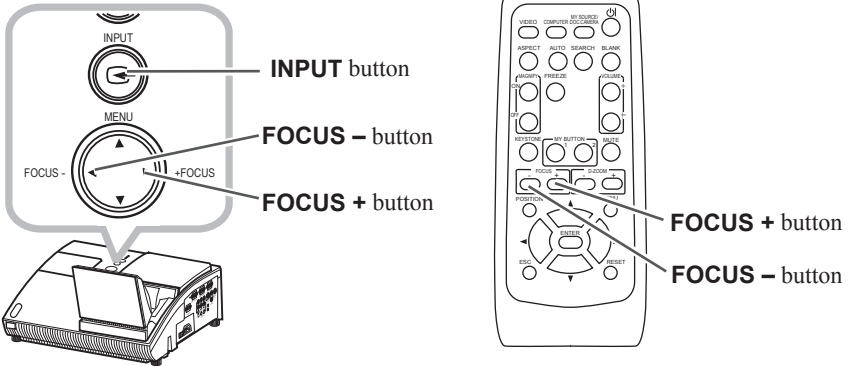
Elevator feet



⚠ CAUTION

■ Do not lengthen the elevator feet to 43 mm or more. The foot lengthened exceeding the limit may come off from the projector, and result in an injury.

10. Operation



Displaying and switching the image

Press the **INPUT** button on the projector to display the image from one of active input ports.

Each time you press the button, the port is switched in turn, when two or more signals are inputted.

Focusing

Use the **FOCUS +** and **FOCUS -** buttons on the projector or remote control to adjust the screen focus.

10. Operation (continued)

Selecting an aspect ratio

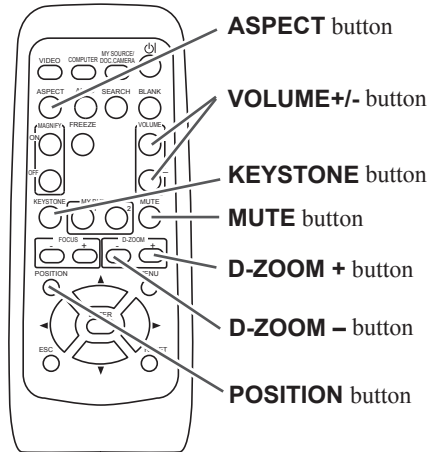
Each time you press the **ASPECT** button on the remote control, it switches the aspect ratio of the image, in turn.

Zooming

Use the **D-ZOOM +** and **D-ZOOM -** buttons on the remote control to adjust the screen size.

Adjusting the picture position

After pressing the **POSITION** button on the remote control, use the **▲**, **▼**, **◀** and **▶** buttons. Press the **POSITION** button again to finish this operation.



Correcting distortion

Press the **KEYSTONE** button on the remote control. A dialog will appear on the screen to aid you in correcting the distortion.

Use the **▲/▼** cursor buttons to select, **MANUAL** or **PERFECT FIT** operation, and press the **▶** button to perform the following.

MANUAL displays a dialog for keystone correction.

PERFECT FIT displays a dialog for adjusting the shape of the projected image in each of the corners and sides.

Use the cursor buttons according to the dialog, checking the image.

Press the **KEYSTONE** button again to finish this operation.

Adjusting the volume

Use the **VOLUME +/-** buttons to adjust the volume.

Muting the sound

Press the **MUTE** button on the remote control. To restore the sound, press the **MUTE** or **VOLUME +/-** button.

NOTE

- For details, see the Operating Guide in the CD.

⚠ CAUTION

■ If you wish to have a blank screen while the projector's lamp is on, use the **BLANK** function. (See the “Operating Guide” in the CD.) Any other method of blocking the projection light, such as attaching something to the lens or placing something in front of the lens, may cause the damage to the projector.

11. Turning the projector off

Turn the projector off after turning off the other connected devices, unless mentioned in the manuals. For this projector, follow the procedure below.

1. Press the **STANDBY/ON** button (on the projector or remote control).
The “Power off?” dialog appears on the screen for about 5 seconds.
2. Confirm that there is nothing that the lens door hits while closing.
Then press the **STANDBY/ON** button again while the message appears.
The projection lamp goes off, the lens door closes, and the **POWER** indicator begins to blink orange.

NOTE

- For cooling the projector down, wait for the **POWER** indicator to stop blinking and turn steady orange.
The projector can be turned off without waiting for cooling down. However, the manufacture recommends cooling the projector down enough.
Do not turn the projector on for about 10 minutes or more after turning it off to prevent shortening its life.

3. Press the side marked “O” of the power switch, as the power-off position.
The **POWER** indicator goes off.

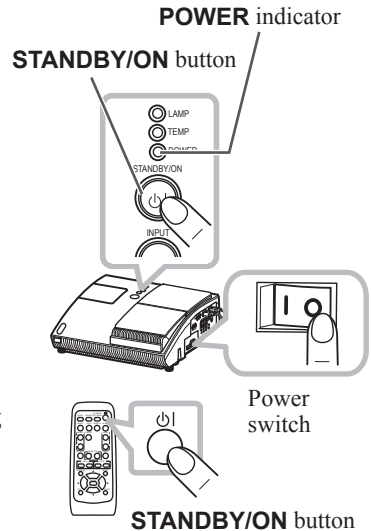
When you will not use the projector for a long while, unplug and separate the power cord from the power outlet, for safety purposes.

NOTE

- This projector has the AUTO POWER OFF function. For details, see the Operating Guide in the CD.

⚠ CAUTION

- Be careful not to pinch your finger with the lens door, to prevent an injury.
- Do not touch the lamp cover or approach the exhaust vents while using the projector and for a while after use, to prevent a burn.



12. Replacing the lamp

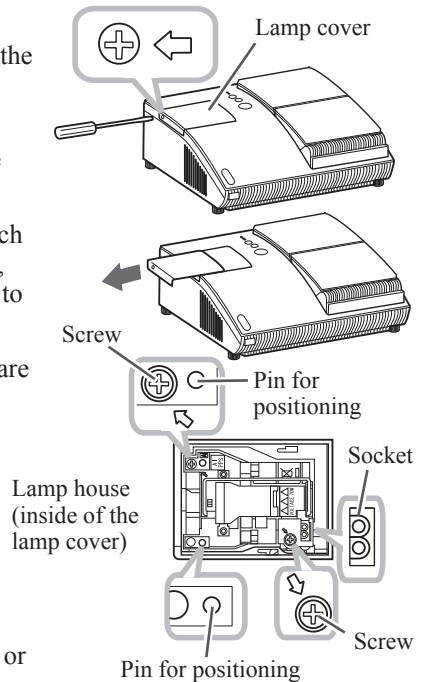
The projection lamp has finite product life that is different in each lamp. Please replace the lamp as soon as possible when the pictures appear dark, or when the color tone is poor. Using the lamp for long periods of time may make the lamp burned out or broken. Preparation of a spare lamp and early replacement are recommended. To prepare the new lamp, call your dealer and tell the type number: 456-8101H

1. Turn the projector off and unplug the power cord from the power outlet. And cool the projector down by leaving it for about 45 minutes as it is.

When the projector is mounted on a ceiling or somewhere over your head, or when the lamp may have been broken, be sure to refer replacement to your dealer or service person, since it may be dangerous.

Only in case of replacement by yourself, follow the following procedure.

2. Loosen the screw (marked by arrow) of the lamp cover, and then slide the lamp cover to the side to remove it.
3. Loosen the 2 screws (marked by arrows) of the lamp, and slowly pick up the lamp by the handles.
4. Insert the new lamp, with cautions not to touch the inside of the lamp house. When inserting, pay attention to the socket position first, and to the pins for positioning next.
5. Tighten firmly the 2 screws of the lamp that are loosened in the previous process to lock it in place.
6. Slide the lamp cover into place and firmly tighten the screw of the lamp cover.
7. Plug in and restart the projector. (☞5, 8)
Then, reset the lamp time (which is the time counter for the lamp use).



- (1) Press the ▲ or ▼ button on the projector or the **MENU** button on the remote control. The “EASY MENU” appears.
- (2) Point at the “Go to Advanced Menu ...” in the menu using the ▲ or ▼ button, then press the ► button. “MENU” appears.
- (3) Pointed at the “OPTION” in the left column using the ▲ or ▼ button, then press the ► button. The cursor moves to the right column.
- (4) Pointed at the “LAMP TIME” using the ▲ or ▼ button, then press the ► button. A dialog appears.
- (5) Press the ▲ button to select the “RESET” on the dialog. It performs resetting the lamp time.

12. Replacing the lamp (continued)

NOTE

- Please reset the lamp time only when you have replaced the lamp, for a suitable indication about the lamp.

WARNING



High Voltage



High Temperature



High Pressure

■ The projector uses a high-pressure mercury glass lamp. The lamp can break with a loud bang, or burn out, if jolted or scratched, handled while hot, or worn over time. Note that each lamp has a different lifetime, and some may burst or burn out soon after you start using them. In addition, if the bulb bursts, it is possible for shards of glass to fly into the lamp housing, and for gas containing mercury and dust containing fine particles of glass to escape from the projector's vent holes.

About disposal of a lamp: This product contains a mercury lamp; do not put it in a trash. Dispose of it in accordance with environmental laws.

- For lamp recycling, go to www.lamprecycle.org (in the US).
- For product disposal, contact your local government agency or www.eiae.org (in the US) or www.epsc.ca (in Canada).

For more information, call your dealer.

-
- If the lamp should break (it will make a loud bang when it does), unplug the power cord from the outlet, and make sure to request a replacement lamp from your dealer. Note that shards of glass could damage the projector's internals, or cause injury during handling, so please do not try to clean the projector or replace the lamp yourself.



- If the lamp should break (it will make a loud bang when it does), ventilate the room well, and make sure not to inhale the gas or fine particles that come out from the projector's vent holes, and not to get them into your eyes or mouth.
- Before replacing the lamp, turn the projector off and unplug the power cord, then wait for at least 45 minutes for the lamp to cool sufficiently. Handling the lamp while hot can cause burns, as well as damaging the lamp.



-
- Never unscrew except the appointed (marked by an arrow) screw.
 - Do not open the lamp cover while the projector is suspended from a ceiling or somewhere over your head. This is dangerous, since if the lamp's bulb has broken, the shards will fall out when the cover is opened. In addition, working in high places is dangerous, so ask your local dealer to have the lamp replaced even if the bulb is not broken.
 - Do not use the projector with the lamp cover removed. At the lamp replacing, make sure that the screws are screwed in firmly. Loose screws could result in damage or injury.



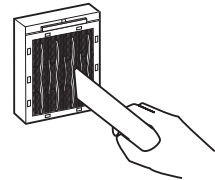
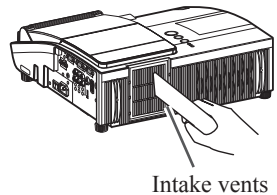
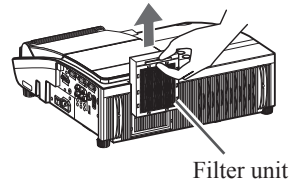
-
- Use only the lamp of the specified type. Use of a lamp that does not meet the lamp specifications for this model could cause a fire, damage or shorten the life of this product.
 - If the lamp breaks soon after the first time it is used, it is possible that there are electrical problems elsewhere besides the lamp. If this happens, contact your local dealer or service representative.
 - Handle with care: jolting or scratching could cause the lamp bulb to burst during use.
 - Using the lamp for long periods of time, could cause it dark, not to light up or to burst. When the pictures appear dark, or when the color tone is poor, please replace the lamp as soon as possible. Do not use old (used) lamps; this is a cause of breakage.

13. Maintaining the air-filter

Please check and clean the air-filter periodically, for keeping normal ventilation. When the indicators or a message prompts you to clean the air-filter, comply with it as soon as possible.

When it is damaged or too soiled, replace the filter unit. To prepare the new filter unit, call your dealer and tell the type number: **UX35381**

1. Turn the projector off and unplug the power cord from the power outlet. And cool the projector down by leaving it for a while as it is.
2. Use the vacuum cleaner on and around the filter unit.
3. Slide the filter unit upward to take it off from the projector.
4. Use the vacuum cleaner on the intake vents of the projector.
5. Use the vacuum cleaner on the cover side of the filter unit. Do not vacuum the air-filter directly, since the cleaner may inhale the air-filter. When the air-filter is damaged or too soiled, prepare the new filter unit.
6. Make sure that there is the air-filter inside, then slide the filter unit into place.
7. Plug in and restart the projector. (☞5, 8)



Then, reset the filter time (which is the time counter for the air-filter use).

- (1) Press the ▲ or ▼ button on the projector or the **MENU** button on the remote control. The “EASY MENU” appears.
- (2) Point at the “FILTER TIME” in the menu using the ▲ or ▼ button, then press the ► button. A dialog appears.
- (3) Press the ▲ button to select the “RESET” on the dialog. It performs resetting the filter time.

NOTE

- A filter unit of specified type will come with the replacement lamp for this projector. Replacing the filter unit at the same time with the lamp is recommended.
- Please reset the filter time only when you have cleaned the air-filter, for a suitable indication about the air-filter.

⚠ WARNING

- Before caring for the air-filter, turn the projector off and unplug the power cord, then cool the projector sufficiently.
- Use only the filter unit of the specified type. Do not use the projector with the air-filter removed.

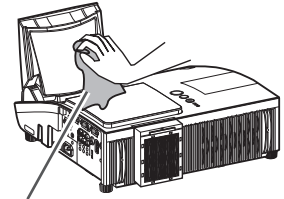
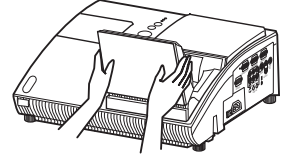
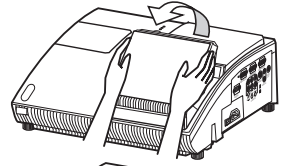
14. Caring for the mirror and lens

If the projection mirror or lens is flawed, soiled or fogged, it could cause deterioration of display quality. Please take care of the mirror and lens, being cautious of handling.

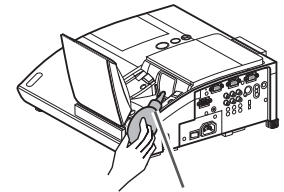
1. Turn the projector off and unplug the power cord from the power outlet. And cool the projector down by leaving it for a while as it is.
2. The lens door can be opened manually. Please hold both side of the lens door and slowly open it until it is locked with clicking sound.
3. Wipe softly the mirror and lens with a cleaning cloth for lens on the market, being careful not to give any damage on the mirror and lens. For around edge of the mirror and lens where might be difficult to be wiped out, please use an air blower for cameras on the market to clean up.
4. To close the lens door properly, please take the following procedure.
 - (1) Plug in the projector.
 - (2) Turn on the power switch.

Even though the lens door starts to close, it might not be closed properly.
 - (3) Press the **STANDBY/ON** button, so that the lamp starts to light up.
 - (4) After the **POWER** indicator turns to steady green, press the **STANDBY/ON** button twice to turn off the projector.

The lens door will close properly.



Cleaning cloth



Blower

NOTE

- When the lens door is closed manually, it may not shut properly.
- The lens door may not close when the LENS DOOR LOCK function of the SERVICE item in the OPTION menu is set to ON. For more information, please see the “Operating Guide” on the CD.

⚠ WARNING

- Before caring for the projection mirror and lens, turn the projector off and unplug the power cord, then cool the projector sufficiently.
- Do not use a vacuum cleaner to clean the projection mirror or lens, since it might give some damage.
- Do not use cleaners or chemicals other than those specified in this manual. Especially the mirror has to be paid special attention, since these materials might give serious damage on the mirror.

⚠ CAUTION

- Be careful not to pinch your finger with the lens door, to prevent an injury.

15. Using the CD manual

The detailed manuals for this product are written into the included CD titled “User’s Manual (detailed)”. Before using the CD, please read the following to ensure the proper use.

System requirements

The system for using the CD requires the following.

Windows®:	OS: Microsoft® Windows® 98, Windows® 98SE, Windows NT® 4.0, Windows® Me, Windows® 2000/Windows® XP or later CPU: Pentium® processor 133MHz / Memory:32MB or more
Macintosh®:	OS: Mac OS® 10.2 or later CPU: PowerPC® / Memory:32MB or more
CD-ROM drive:	4x CD-ROM drive
Display:	256 color / 640x480 dots resolution
Applications:	Microsoft® Internet Explorer® 4.0 and Adobe® Acrobat® Reader® 4.0 or later

How to use the CD

1. Insert CD into PC’s CD-ROM drive.

Windows®:	In a while, Web browser automatically starts. Start up window comes up.
Macintosh®:	(1) Double-click on the “ Projectors ” icon appeared on the desktop screen. (2) When “main.html” file is clicked, Web browser will start and Initial window will appear.

2. Click the model name of your projector first, and then click language you want from the displayed list. The user’s manual will open.

⚠ CAUTION

- Only use the CD in a computer’s CD drive. The CD is designed for PC use only. Never insert the CD into a non-computer CD player. Inserting the CD into an incompatible CD drive may produce a loud noise, which in turn may result in damage to ears and speakers.
- After using CD, please put it into CD case and keep it. Please keep the CD neither in direct sunlight nor in a high temperature and high humidity environment.

NOTE

- The information in the CD is subject to change without notice.
- No responsibility is taken for any obstacle and defect to hardware and software of your PC as a result of the use of the CD.
- All or any part of the information in the CD must not be copied, reproduced or republished without notice to our company.

16. Regulatory notices

About Electro-Magnetic Interference

In European Union

This is a Class A product in European Union.

WARNING: This is a Class A product in European Union. This is a Class A product. In a domestic environment this product may cause radio interference in which case the user may be required to take adequate measures.

In CANADA

This Class B digital apparatus complies with Canadian ICES-003.

In the US, and other places where the FCC regulations are applicable

Declaration of Conformity

Trade name	HITACHI
Model Number	Dukane Model 8103H
Responsible Party	Hitachi America, Ltd.
Address	900 Hitachi way, Chula Vista, CA 91914-3556 U.S.A.
Telephone Number	+1 -800-225-1741

This device complies with part 15 of the FCC Rules. Operation is subject to the following two conditions: (1) This device may not cause harmful interference, and (2) this device must accept any interference received, including interference that may cause undesired operation. This equipment has been tested and found to comply with the limits for a Class B digital device, pursuant to Part 15 of the FCC Rules.

These limits are designed to provide reasonable protection against harmful interference in a residential installation. This equipment generates, uses, and can radiate radio frequency energy and, if not installed and used in accordance with the instructions, may cause harmful interference to radio communications. However, there is no guarantee that interference will not occur in a particular installation. If this equipment does cause harmful interference to radio or television reception, which can be determined by turning the equipment off and on, the user is encouraged to try to correct the interference by one or more of the following measures:

- Reorient or relocate the receiving antenna.
- Increase the separation between the equipment and receiver.
- Connect the equipment into an outlet on a circuit different from that to which the receiver is connected.
- Consult the dealer or an experienced radio/TV technician for help.

INSTRUCTIONS TO USERS: This equipment complies with the requirements of FCC (Federal Communication Commission) equipment provided that the following conditions are met. Some cables have to be used with the core set. Use the accessory cable or a designated-type cable for the connection. For cables that have a core only at one end, connect the core to the projector.

CAUTION: Changes or modifications not expressly approved by the party responsible for compliance could void the user's authority to operate the equipment.

Information for users applicable in European Union countries



The mark is in compliance with the Waste Electrical and Electronic Equipment Directive 2002/96/EC (WEEE).

The mark indicates the requirement NOT to dispose the equipment including any spent or discarded batteries or accumulators as unsorted municipal waste, but use the return and collection systems available.

If the batteries or accumulators included with this equipment, display the chemical symbol Hg, Cd, or Pb, then it means that the battery has a heavy metal content of more than 0.0005% Mercury or more than, 0.002% Cadmium, or more than 0.004% Lead.

17. Warranty and after-service

If an abnormal operation (such as smoke, strange odor or excessive sound) should occur, stop using the projector immediately. Otherwise if a problem occurs with the projector, first refer to the “Troubleshooting” of the Operating Guide in the CD and run through the suggested checks.

If this does not resolve the problem, please contact your dealer or service company. They will tell you what warranty condition is applied.

Please check the following web address where you may find the latest information for this projector.

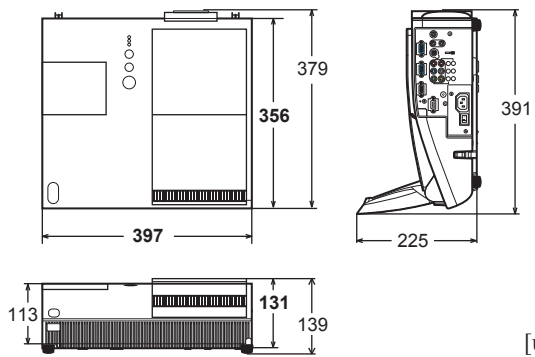
www.Dukane.com/av

TRADEMARK ACKNOWLEDGMENT

- Microsoft[®] and Internet Explorer[®], Windows[®], Windows NT[®] are registered trademarks of Microsoft Corporation in the U.S. and/or other countries.
 - PowerPC[®] is a registered trademark of International Business Machines Corporation.
 - Macintosh[®] and Mac OS[®] are registered trademark of Apple Inc.
 - Adobe[®] and Acrobat[®], Reader[®] are registered trademarks of Adobe System Incorporated.
 - Pentium[®] is a registered trademark of Intel Corporation.
 - Blu-ray Disc[™] is a trademark of the Blu-ray Disc Association.
- All other trademarks are the properties of their respective owners.

18. Specifications

Item	Specifications
Product name	Liquid crystal projector
Liquid Crystal Panel	786,432 pixels (1024 horizontal x 768 vertical)
Lamp	230 W UHB
Audio output	7 W
Power supply	AC 100-120 V/3.6 A, AC 220-240 V/1.5 A
Power consumption	340 W
Temperature range	5~35°C (operating)
Ports	COMPUTER IN1..... D-sub 15 pin mini x 1 COMPUTER IN2..... D-sub 15 pin mini x 1 Y, C _B /P _B , C _R /P _R (Component video)..... RCA x 3 S-VIDEO..... mini DIN 4 pin x 1 VIDEO..... RCA x 1 MONITOR OUT..... D-sub 15 pin mini x 1 AUDIO IN1 Stereo mini x 1 AUDIO IN2 Stereo mini x 1 AUDIO IN3 (L, R) RCA x 2 AUDIO OUT..... Stereo mini x 1 CONTROL..... D-sub 9 pin x 1
Optional parts	Lamp: 456-8101H Filter unit: UX35381 Soft case: CA100 * For more information, contact to your dealer.
Weight (mass)	5.8 kg (approx.)
Size	397 (W) x 131 (H) x 356 (D) mm (See below.)



Free Manuals Download Website

<http://myh66.com>

<http://usermanuals.us>

<http://www.somanuals.com>

<http://www.4manuals.cc>

<http://www.manual-lib.com>

<http://www.404manual.com>

<http://www.luxmanual.com>

<http://aubethermostatmanual.com>

Golf course search by state

<http://golfingnear.com>

Email search by domain

<http://emailbydomain.com>

Auto manuals search

<http://auto.somanuals.com>

TV manuals search

<http://tv.somanuals.com>