



SAFETY

Warnings and Notices 2
 Safety Instructions 4-5
 Spiders and Other Insects Warning 17
 Before Using your Grill 17



STEPS TO FOLLOW

Consumer Information 3
 Model and Serial Number Location 3
 Complete and Return Warranty Card 3
 Warranty Back Cover



INSTALLATION

Location 6
 Built-in Installation 6
 Built-in Designs 6
 Cabinet Cutout Dimensions 6-7
 Gas Requirements 8-10
 Adjustments and Efficiency 11
 Air Shutter Adjustment 11-12
 Low Setting Adjustment for
 Grill and Open Burners 12
 Leak Testing 13
 Leak Testing Procedure 13-14
 Heat Deflector 14
 Access Doors 15



OPERATION

Features of Your Grill 16
 Grilling 18
 Grilling Hints 18
 Operating the Grill 19
 Lighting the Grill Burners 19-20
 Manually Lighting the Grill Burners 20
 Using the Smoker Drawer 21
 Using your Rotisserie 22
 Operating the Rotisserie 22
 Lighting the Infrared or
 Rotisserie Burner 23
 Manually Lighting the Infrared or
 Rotisserie Burner 23
 Lighting the Open Burners 24
 Manually Lighting the
 Open Burners 24-25
 Flame Size 25
 Grilling Guide 26-31



CLEANING & MAINTENANCE

Racks 32
 Cleaning the I.R. Burner 32
 Drip Tray 33
 Ceramic Briquettes and Radiant Trays 33
 Stainless Steel Exterior 33
 Grill Burners 34
 Heat Deflector 35
 Firebox Bottom 35
 Replacing Igniter Battery 35



QUESTIONS

Use this easy
 Troubleshooting Guide 36-37



SUPPORT

Customer Service
 Before Calling for Service 39

• FOR YOUR SAFETY

- 1. Do not store or use gasoline or other flammable vapors and liquids in the vicinity of this or any other appliance.**
- 2. An LP cylinder not connected for use shall not be stored in the vicinity of this or any other appliance.**

• WHAT TO DO IF YOU SMELL GAS

- 1. Shut off gas to the appliance.**
- 2. Extinguish any open flame.**
- 3. Open lid.**
- 4. If odor continues, immediately call your gas supplier or your fire department.**



WARNINGS AND NOTICES

WARNING: If the information in this manual is not followed exactly, a fire or explosion may result causing property damage, personal injury or death.

WARNING: For outdoor use only. Never use this or any other grill or barbecue indoors. Do not use for space heating.

NOTICE: All gas installations, conversions, and/or adjustments must be performed by an authorized service agent.

General Safety Requirements

1. Installation of this appliance must conform with local codes or, in the absence of local codes, with either the *National Fuel Gas Code, ANSI Z223.1*, or *CAN/CGA-B149.1, Natural Gas Installation Code* or *CAN/CGA-B149.2, Propane Installation Code*.
2. The utilization of an external electrical source requires that when installed, this gas appliance be electrically grounded in accordance with local codes or, in the absence of local codes, with the National Electrical Code, ANSI/NFPA 70, or the Canadian Electrical Code, CSA C22. I.
3. This outdoor gas cooking appliance and its individual shutoff valve must be disconnected from the gas supply piping system during any pressure testing of that system at test pressures in excess of 1/2 psi (3.5 kPa).
4. This outdoor gas cooking appliance must be isolated from the gas supply piping system by closing its individual manual shutoff valve during any pressure testing of the gas supply piping system at test pressures equal to or less than 1/2 psi (3.5 kPa).
5. The utilization of a self-contained LP-gas supply system requires that this self-contained supply cylinder be constructed and marked in accordance with the specifications for LP-gas cylinders of the U.S. Department of Transportation (DOT) or the National Standards of Canada, *CAN/CSA-B339, Cylinders, Spheres and Tubes for the Transportation of Dangerous Goods*.

CONSUMER INFORMATION



Locate the model and serial numbers.

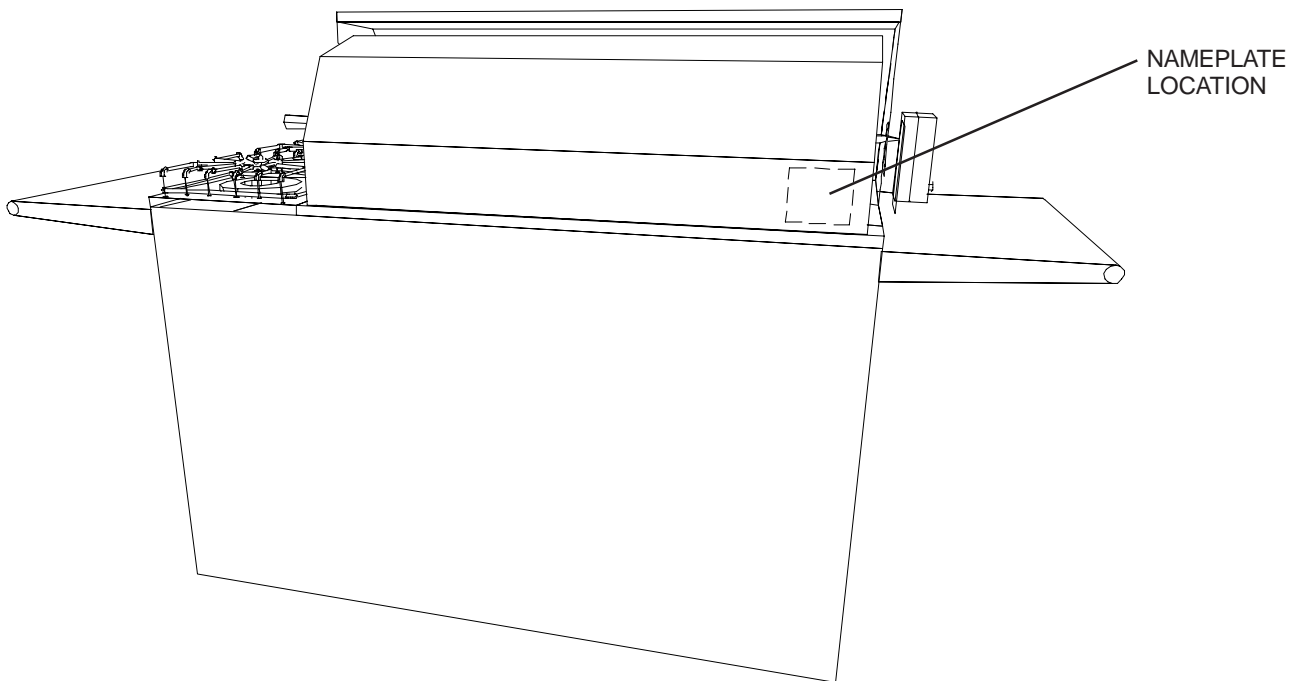
Your new grill model and serial numbers are included on a nameplate located on the outside rear wall of the grill (see illustration below).

Complete and return the warranty card.

Please take a moment to fill out and mail the Warranty Card included with your Dynasty Grill. Make sure you enter the model and serial numbers of your new appliance on the Warranty Card.

For future reference, record the following information and refer to it when contacting the factory or an authorized service agent.

_____	_____	_____
Model Number	Type of gas	Serial Number
_____	_____	_____
Purchase Date	Purchased From	Telephone Number
_____	_____	_____
Installation Date	Installed By	Telephone Number





SAFETY INSTRUCTIONS

Please read before installing and operating your new Dynasty Grill

General Precautions

- 1) Your Dynasty gas grill should be properly installed and serviced. Refer to the installation instructions provided in this manual. Ask the installer where the gas supply shut-off is located and how to operate it. All gas lines must have a shut-off that is easily accessible.
- 2) Be sure your grill is correctly adjusted by a qualified service technician or installer for the type of gas (Natural or Propane) on which it is to be used. Refer to the installation instructions provided in this manual.
- 3) If you smell gas, call a qualified service technician. Do not try to fix the problem yourself. Follow the instructions titled "What To Do If You Smell Gas" on page 1.
- 4) **Caution:** To prevent fire or smoke damage, remove all packing material from the grill before operating it.
- 5) Before starting to cook, clean the grill thoroughly with hot, soapy water. This is necessary to remove residuals and solvents used at the factory to clean and remove dirt, oil and grease which may have remained from the manufacturing process. The grates should be thoroughly cleaned.
- 6) Spiders and other insects can nest in the burners of the grill and block the gas and airflow to the burner ports. This creates a dangerous condition that can result in a fire behind the valve panel. Inspect and clean the burners periodically; follow guidelines in Cleaning and Maintenance on pages 34-35.
- 7) In the event a burner goes out and gas escapes, turn off burner knobs, fully open the grill hood and let the gas out. Do not attempt to use the appliance until the gas has had time to dissipate.
- 8) Unless specifically recommended in this manual, do not repair or replace any part of the grill. A qualified technician should perform all other service. Warranty service must be performed by an authorized service agency.
- 9) Never grill without the drip pan in place and inserted all the way to the rear of the grill. Hot grease can travel downward and produce a fire or explosion hazard.
- 10) Keep any electrical supply cord, or the rotisserie motor cord away from the heated areas of the grill.
- 11) Never use the grill in windy conditions. If located in a consistently windy area (oceanfront, mountaintop, etc.) a windbreak will be required. Always adhere to the specified clearances listed in page 6.
- 12) The area surrounding your Dynasty grill should be kept clean, and free from flammable liquids and other combustible materials such as mops, rags, brooms, etc., as well as solvents, cleaning fluids, and gasoline.
- 13) Do not use the grill or open burners as a storage area for flammable or plastic items, which may ignite. Do not store spare Propane cylinders or flammable materials in the cart or under a built-in location. A Propane cylinder not connected for use should not be stored in the vicinity of this or any other appliance.
- 14) Never line surface burners with aluminum foil.
- 15) When the unit is not in use and connected to a self contained Propane gas supply system, the gas must be turned off at the supply cylinder.
- 16) A grill used with Propane gas may be stored indoors only if the cylinder is disconnected and removed. Cylinders must be stored outdoors out of the reach of children and must not be stored in a building, garage or any other enclosed area.
- 17) Never locate this appliance under an overhead, unprotected combustible construction or enclosed area such as a garage, shed, or breezeway. Keep clear of trees and shrubs.
- 18) This outdoor gas cooking appliance is not intended to be installed in or on recreational vehicles and/or boats.

SAFETY INSTRUCTIONS

(continued)



Precautions Regarding Children

- 1) Never leave children unattended in the area where the grill is being used.
- 2) Do not store items of interest to children around or below the grill, in the cart or masonry enclosure.
- 3) Never allow children to sit or stand on any part of the grill or to crawl inside a cart or enclosure.

Use Precautions

- 1) Never leave the grill and top burners unattended while using high flame settings. Boilovers cause smoking, and greasy boilovers may ignite.
- 2) Always use the proper size pan. Select utensils with flat bottoms large enough to cover the burner. The use of undersized utensils exposes the sides of the utensils to direct contact with a portion of the flame. This can scorch utensils, and hamper cleanup. Excessive flames on large stainless steel pots can result in permanent discoloration. For best results, we recommend commercial quality aluminum pans and utensils.
- 3) Always position handles of utensils inward, so they do not extend over adjacent work areas or cooking areas. This reduces the risk of burns, ignition of flammable materials, and spillage due to accidental contact with the utensils.
- 4) Do not use water on grease fires. Never pick up a flaming pan. Turn appliance off and smother the flaming pan with a tight-fitting lid, cookie sheet or flat tray. For flaming grease outside of the pan, smother with baking soda, or use a dry chemical or foam type fire extinguisher.
- 5) Never let clothing, potholders or other flammable materials contact with or come near to any grate, burner or hot surface until it has cooled. Fabric may ignite and result in personal injury.
- 6) When using the grill, do not touch the grill rack, burner grate or immediate surroundings as these areas become extremely hot and can cause burns.
- 7) Proper apparel is a safety consideration. Never wear loose fitting or hanging garments while using your Dynasty grill.
- 8) Only use dry potholders - do not use a towel or other bulky cloth in place of potholders. Moist or damp potholders used on hot surfaces could cause burns from steam.
- 9) Do not heat any unopened glass or metal container of food on the grill. Pressure may build up and cause the container to burst resulting in serious personal injury.
- 10) Use charcoal only with the optional coal box (CB-12).

**SAVE THIS MANUAL FOR
FUTURE REFERENCE**



installation

INSTALLATION OF YOUR DYNASTY GRILL

Safe and satisfactory operation of your Dynasty grill depends upon its proper installation. The installation, adjustments and service of your Dynasty grill must be performed only by

qualified installers and service technicians. This is necessary to insure proper operation and also to prevent accidents.

Location

When determining a suitable location take into account concerns such as exposure to wind, proximity to traffic paths and keeping any gas supply lines as short as possible. Locate the grill only in a well ventilated area. For free standing models allow 12" from the sides and rear to adjacent combustible construction.

Built-in Installation

Your Dynasty grill is designed for easy installation into a non-combustible enclosure.

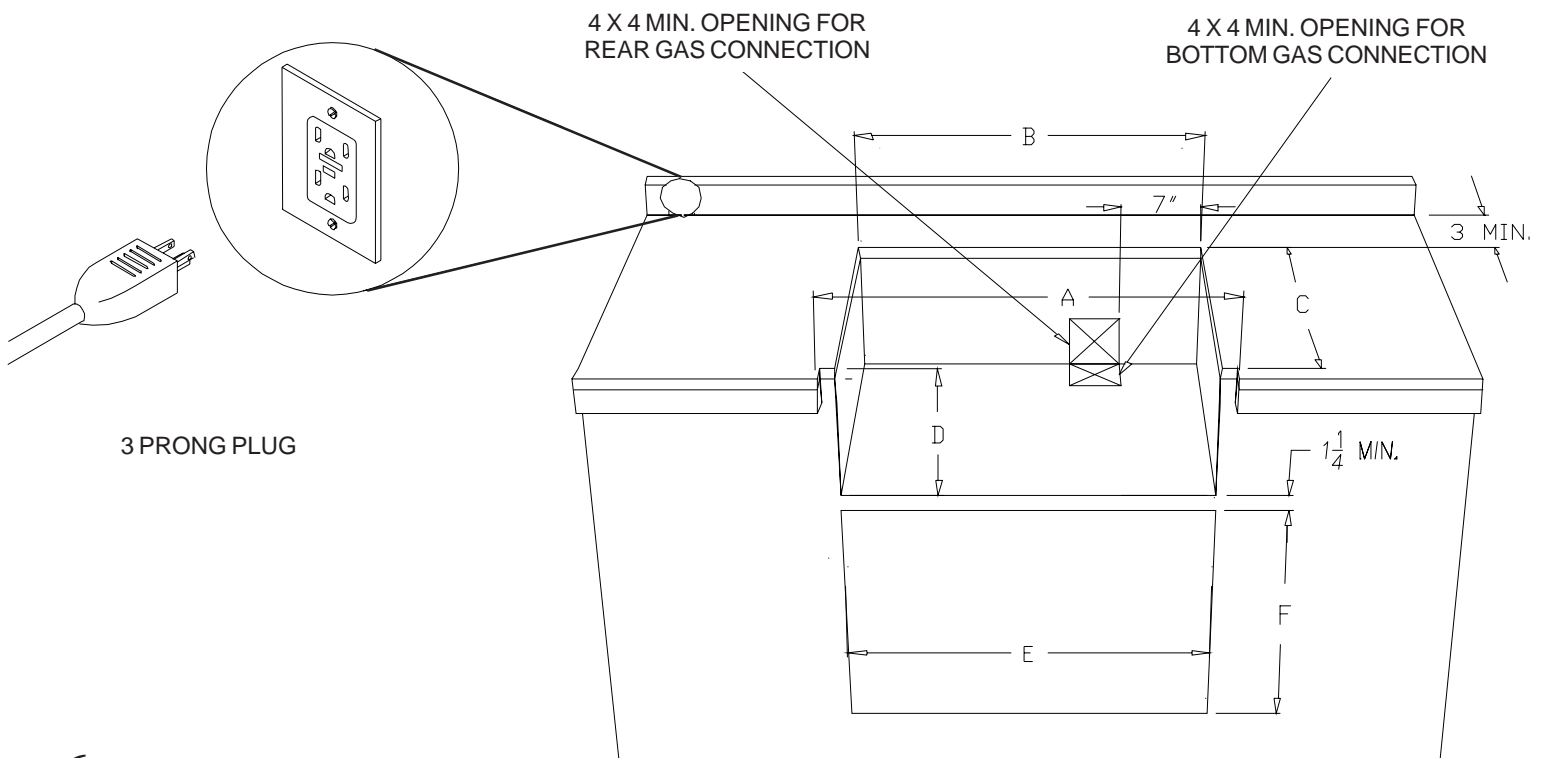
The supporting deck and counter must be level and flat. When determining the final location for your grill it is required that ventilation holes be provided in the enclosure so that gas will not become trapped in the event of a leak (See page 9).

When installing your Dynasty grill in a combustible enclosure, it is necessary to use a suitable insulated jacket or sleeve; follow cabinet cut out dimensions as shown on page 7. Use only an insulated jacket or sleeve manufactured by Jenn-Air.

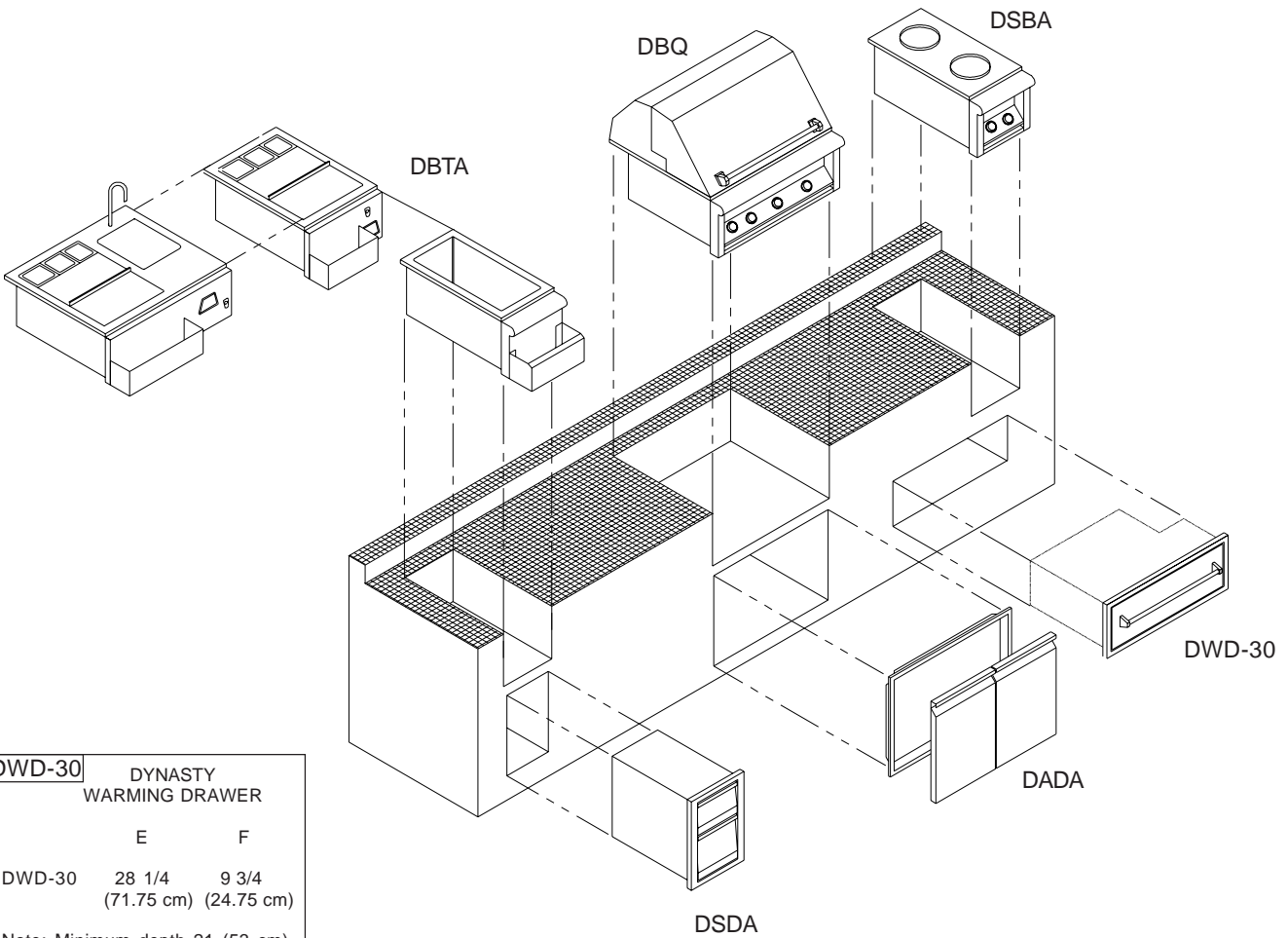
Built-in Design Models

If using a rear wall, locate the weather proof electrical outlet on the left-hand side for the rotisserie motor. The rotisserie motor requires a 110/120 VAC supply. The power supply cord on the motor is equipped with a 3 prong (grounded) plug for protection against shock hazard. Do not cut or remove the grounding prong from the plug.

NOTE: See dimension tables in page 7 referring to figure below. When installing a grill, side burner, or bartender on a cabinet with bullnose, dimension "A" is the width of appliance plus 1/8 clearance.



DYNASTY CUT OUT DIMENSIONS FOR GAS GRILL AND ACCESSORIES



DWD-30 DYNASTY WARMING DRAWER		
	E	F
DWD-30	28 1/4 (71.75 cm)	9 3/4 (24.75 cm)

Note: Minimum depth 21 (53 cm)

MODELS	DYNASTY BUILT-IN GRILLS						
	NON COMBUSTIBLE				COMBUSTIBLE		
	A	B	C	D	A=B	C	D
DBQ30	30-1/8 (76.5 cm)	29 (73.6 cm)	24-1/2 (62 cm)	11-1/4 (28.5 cm)	29-7/8 (75.8 cm)	25-1/8 (64 cm)	12-1/4 (31 cm)
DBQ42	42-1/8 (107 cm)	41 (104 cm)	24-1/2 (62 cm)	11-1/4 (28.5 cm)	41-7/8 (106 cm)	25-1/8 (64 cm)	12-1/4 (31 cm)
DBQ55	55-1/8 (140 cm)	55-1/8 (140 cm)	25-1/8 (64 cm)	11-1/4 (28.5 cm)	54-7/8 (139 cm)	25-1/8 (64 cm)	12-1/4 (31 cm)

	DYNASTY ACCESS DOORS	
	E	F
DADA - 18	16 1/4 (41.25 cm)	19 3/8 (49 cm)
DADA - 30	28 1/4 (71.75 cm)	19 3/8 (49 cm)
DADA - 42	40 1/4 (102.25 cm)	19 3/8 (49 cm)

	DYNASTY SIDE BURNERS		
	A=B	C	D
DSBA-1	12 (30.5 cm)	24 1/2 (62 cm)	11 1/4 (28.5 cm)
DSBA-2	12 (30.5 cm)	24 1/2 (62 cm)	11 1/4 (28.5 cm)

	DYNASTY STORAGE DRAWERS	
	E	F
DSDA-2	12 1/8 (30.75 cm)	19 (48.25 cm)
DSDA-3	12 1/8 (30.75 cm)	19 (48.25 cm)

Note: Minimum depth 21 (53 cm)

	DYNASTY BAR TENDERS		
	A=B	C	D
DBTA - 13	12 (30 cm)	24 1/2 (62 cm)	11 1/4 (28.5 cm)
DBTA - 18	17 1/8 (43 cm)	24 1/4 (62 cm)	9 3/4 (25 cm)
DBTA - 30	29 1/8 (74 cm)	24 1/4 (62 cm)	9 3/4 (25 cm)

NOTE: See previous page for location of dimensions

INSTALLATION OF YOUR DYNASTY GRILL

(continued)

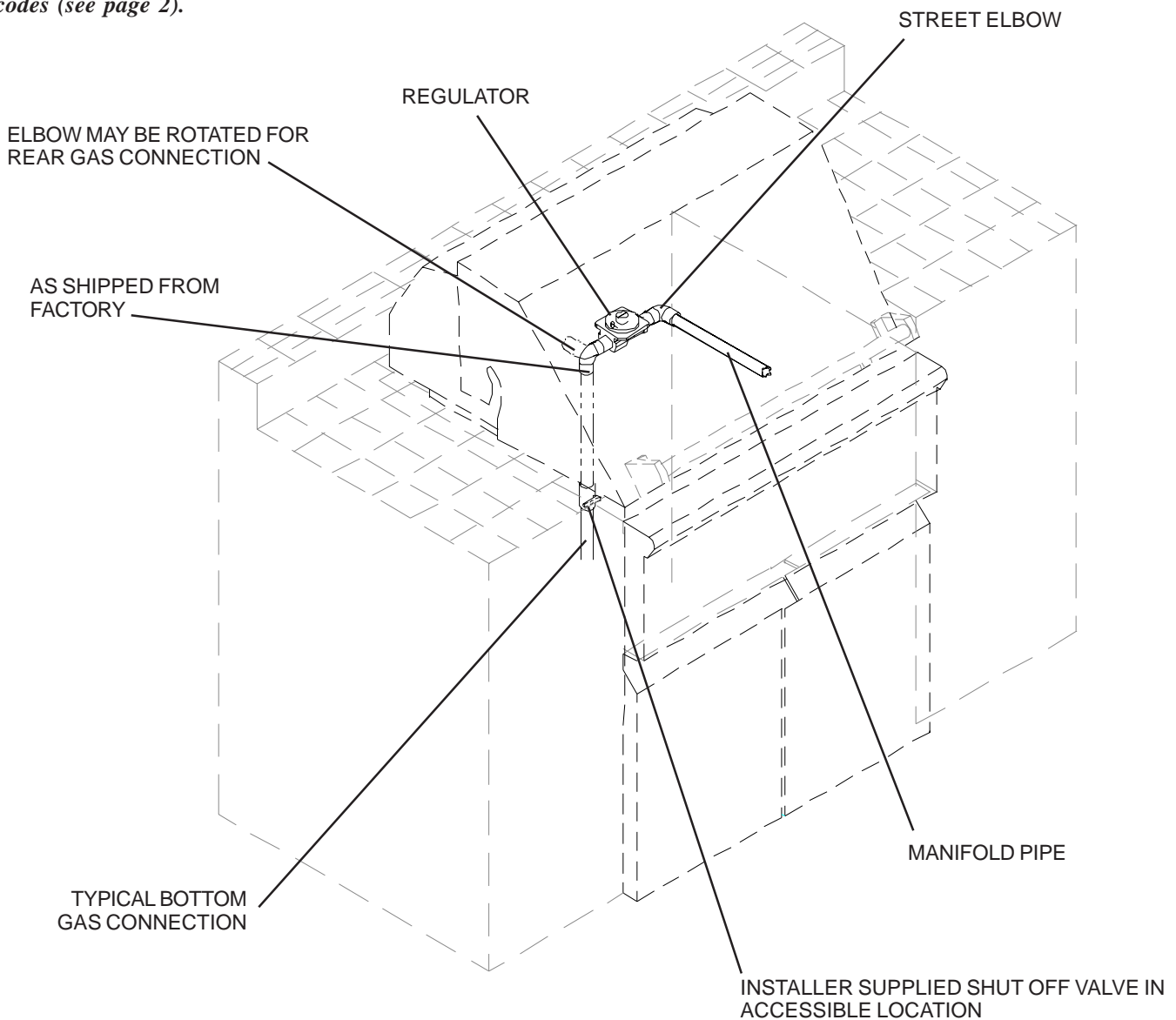
Gas Requirements

Your Dynasty grill is designed to work with Natural or Propane Gas. Check your rating plate to make sure the gas supply provided is the gas type listed on the rating plate (see page 3).

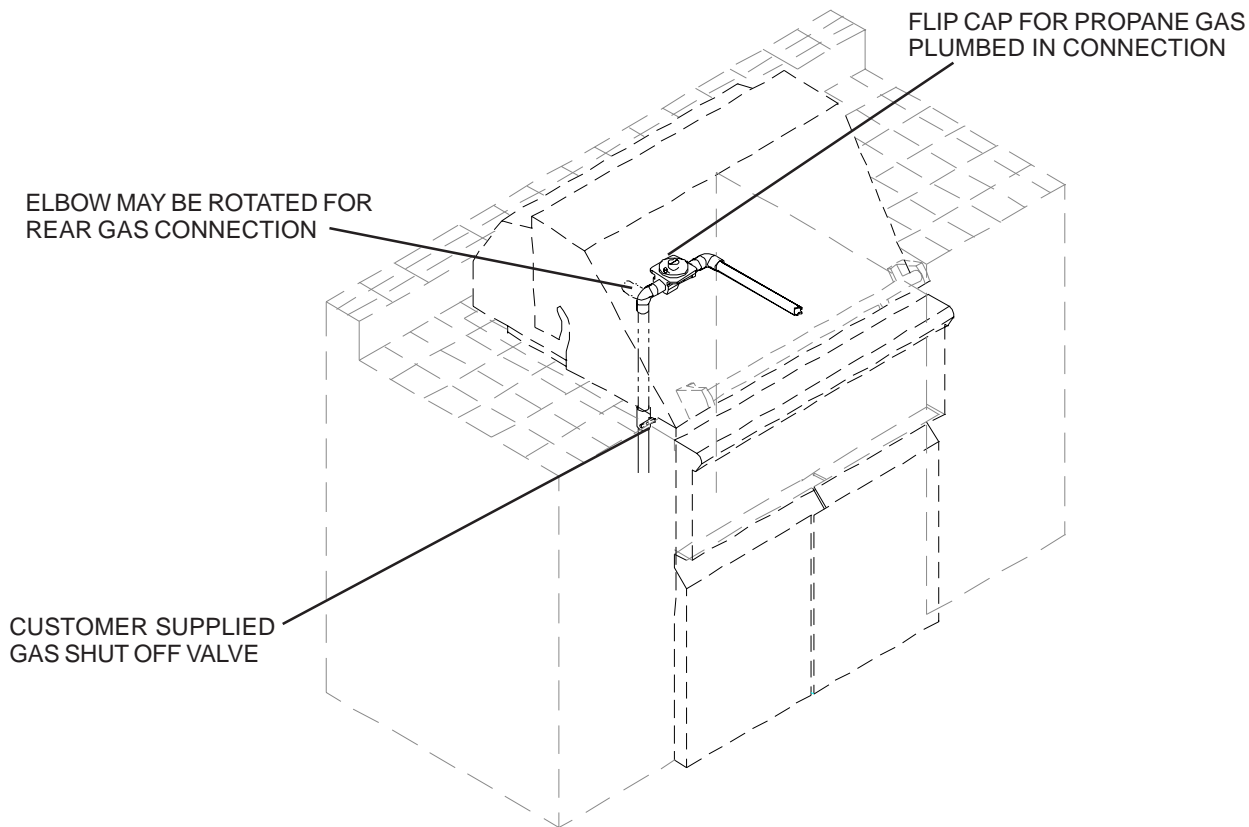
An installer supplied gas shut-off valve must be located in an easily accessible location. Use only pipe sealant that is an approved type and is resistant to the actions of propane gas.

IMPORTANT: *Your Dynasty grill must use the gas type specified unless converted by an authorized servicer using factory parts.*

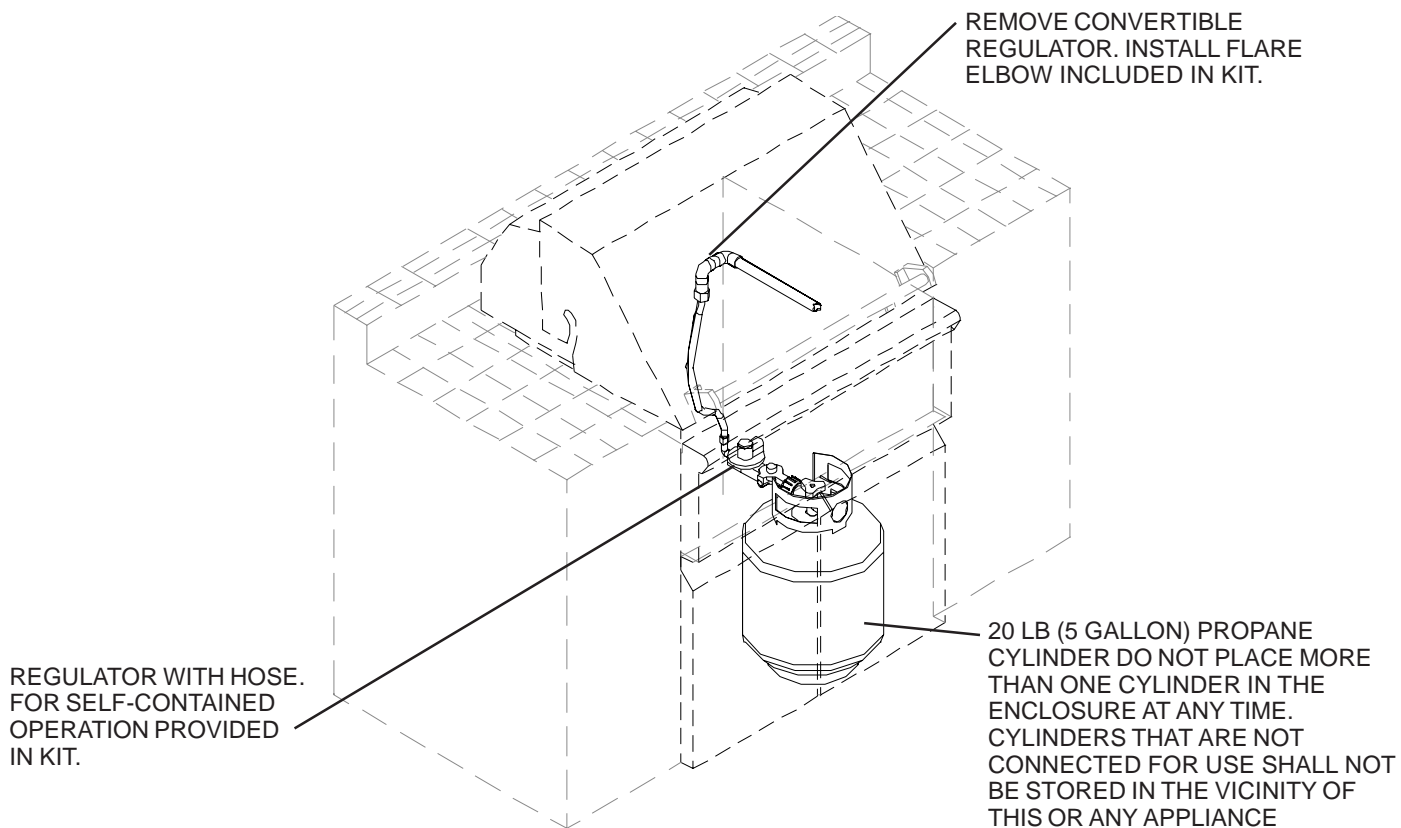
IMPORTANT: *All plumbing must comply with applicable codes (see page 2).*



• Typical Natural Gas Hook Up



• Typical Propane Gas Connection



• Typical Propane Self Contained Connection



NOTE: An enclosure for a propane gas cylinder shall be vented by openings on the level of the cylinder valve and at floor level. The effectiveness of the opening(s) for purposes of ventilation shall be determined with the propane gas supply cylinder in place. This shall be accomplished by one of the following:

- a. One side of the enclosure shall be completely open; or,
- b. For an enclosure having four sides, a top and a bottom:
 1. At least two ventilation openings at cylinder valve level shall be provided in the sidewall, equally sized, spaced at 180 degrees (3.14 rad), and unobstructed. Each opening shall have a total free area of not less than 1/2 square inch per pound (7.1 cm²/kg) of stored fuel capacity and not less than a total free area of 10 square inches (64.5 cm²).
 2. Ventilation opening(s) shall be provided at floor level and shall have a total free area of not less than 1/2 square inch per pound (7.1 cm²/kg) of stored fuel capacity and not less than a total free area of 10 square inches (64.5 cm²). If ventilation openings at floor level are in a sidewall, there shall be at least two openings. The bottom of the openings shall be at floor level and the upper edge no more than 5 inches (127 mm) above the floor. The openings shall be equally sized, spaced at 180 degrees (3.14 rad) and unobstructed.
 3. Every opening shall have minimum dimensions so as to permit the entrance of 1/8 inch (3.2 mm) diameter rod.

- **Gas Manifold Pressure**

For natural gas, standard orifices are set for 4" W.C. (Water Column). A convertible gas pressure regulator set for natural gas is provided. For propane gas, standard orifices are set for 10" W.C. For self contained use, a propane gas regulator with a hose attachment for a propane cylinder is provided. For plumbed-in propane installation, use the convertible regulator and set it for propane gas.

- **Gas Supply Pressure**

Maximum line pressure (before the regulator) for Natural gas and plumbed-in Propane is 14" W.C., 1/2 psig (3.5 kPa.). Minimum line pressure for Natural Gas is 7" W.C. Minimum line pressure for propane is 11" W.C.

- **Gas Pressure Regulator**

The unit must be used with the gas pressure regulator provided. The regulator will control and maintain a uniform gas pressure in the manifold. The burner orifices have been sized for the gas pressure delivered by the regulator.

- **Cylinder Specification**

Any propane gas supply cylinder used with this grill must be approximately 12 inches in diameter and 18 inches high.

The maximum fuel capacity is 20 lbs. of propane or 5 gallons. Full cylinder weight should be approximately 40 lbs. (43.7 lbs. nominal water capacity). Always use the cylinder dust cap on the cylinder valve outlet during transport and when the cylinder is not connected to the grill.

- **Transporting the Propane Gas Supply Cylinder**

Only one cylinder should be transported at a time. Transport cylinder in an upright and secure manner with control valve turned off and the dust cap in place.

INSTALLATION OF YOUR DYNASTY GRILL

(continued)

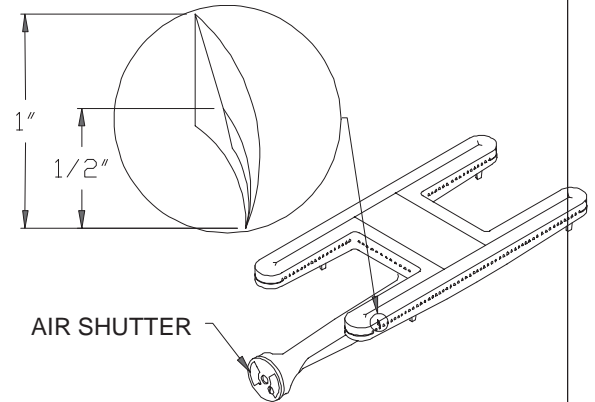


Adjustments and Efficiency

Prior to shipment each burner is tested and adjusted at the factory. Due to variations in the location, conditions, gas supply or when converting from one gas to another, readjustment of the burners may be necessary.

The flames of the burners (except the rotisserie burners) should be visually checked and compared to that of the figure on the right.

Flames should be blue and stable with no yellow tips, excessive noise or lifting. If any of these conditions exist, check if dirt, debris, spider webs, etc. block the air shutter or burner ports. Proceed with air shutter adjustment.



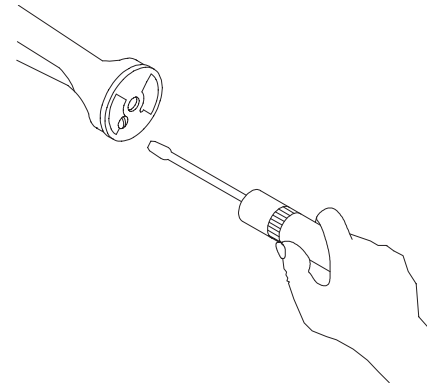
PROPER GRILL BURNER FLAME HEIGHT

Air Shutter Adjustment

A sheet metal disk known as an air shutter governs the amount of air entering the burner. It is locked in place by a setscrew, which must be loosened with a screwdriver prior to lighting the burner.

1. To access the grill burner air shutters, set all the knobs in the off position and remove them. Remove the valve panel by first removing four screws. Pull the valve panel outwards while unplugging the cables attached to the rotary igniter.
2. With a screwdriver, loosen the lockscrew on the face of the air shutter.
3. Light the burner. For the following instructions be careful as the burner may be very hot.
4. Notice the flame characteristics. If the flame is yellow, indicating insufficient air, turn the air shutter counter clockwise to allow more air to the burner.
5. If the flame is noisy and tends to lift away from the burner, indicating too much air, turn the air shutter clockwise.

(continued next page)





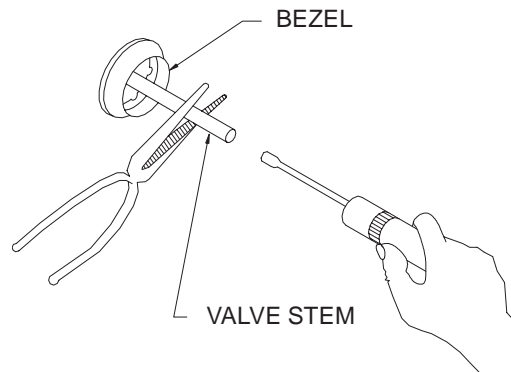
Air Shutter Adjustment (continued)

1. Repeat procedure for each burner requiring adjustment. Be sure to tighten air shutter setscrews when finished.
2. Once adjusted, turn the burner OFF and reverse steps to reassemble.

Low Setting Adjustment Grill and Open Burners

The valves on your Dynasty grill feature an adjustable low setting. Due to fluctuations in gas pressure, heating value or gas conversion, you may feel it necessary to increase or decrease gas flow in the low position.

1. Begin by lighting the burner.
2. Turn the control knob to the lowest setting, all the way counter clockwise. The arrow will stop between MED and LOW.
3. Remove knob.
4. Hold the valve shaft with a pair of pliers and insert a thin, flat tipped screwdriver into the shaft. While viewing the burner, adjust to a minimum stable flame.
5. **WARNING!** Look for stability in the low flame setting. A too small burner flame may go out or be extinguished easily. Unburned gas can then escape creating a hazardous condition.



NOTE: It is normal to hear a popping sound when the burners are first turned OFF.

INSTALLATION OF YOUR DYNASTY GRILL

(continued)



installation

Leak Testing

Perform a leak test at least once each year whether the gas supply cylinder has been disconnected or not. In addition, anytime the gas cylinder is connected to the regulator or any part of the gas system is disconnected or replaced, conduct the leak testing. This applies to natural gas as well as propane gas. As a safety precaution, remember to always leak test your grill outdoors in a well ventilated area. Never smoke or permit sources of ignition in the area while doing a leak test. Do not use a flame, such as a lighted match, to test for leaks. Use only a leak testing solution as specified below.

Leak Testing Procedure

1. Prepare a leak testing solution of sudsy water by mixing in a spray bottle half liquid soap and half water.
2. Check and make sure all the control knobs are in the OFF position.
3. Turn cylinder valve knob counter clockwise one turn to open.
4. Apply leak-testing solution by spraying on joints of the gas delivery system.
5. Blowing bubbles in the soap solution indicates that a leak is present.
6. Stop a leak by tightening the loose joint or by replacing the faulty part with a replacement part recommended by the manufacturer. Do not attempt to repair the cylinder valve if it should become damaged. The cylinder must be replaced.

(continued next page)

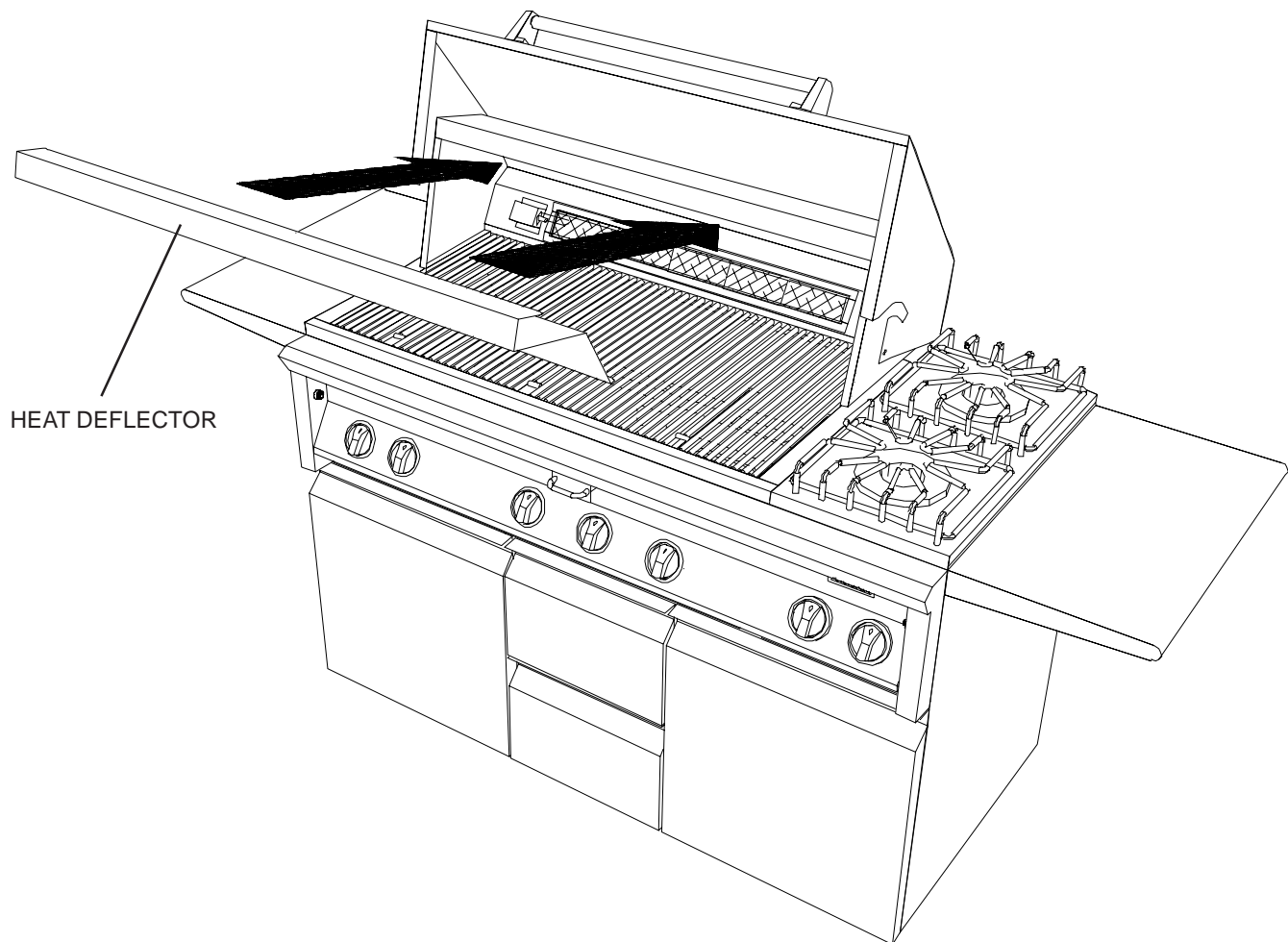


Leak Testing Procedure (continued)

7. If you are unable to stop a leak, shut off the gas supply at the cylinder valve. Remove the cylinder from the grill. Call an authorized gas appliance service technician or LP gas dealer. Do not use the appliance until the leak is corrected.
8. Push in and turn any control knob to release pressure in the hose and manifold.
9. Turn off the control knob.

Installing the Heat Deflector

The Heat Deflector should be fully inserted in its position, as shown, before using the grill.



Installing Access Doors Models DADA-18, DADA-30 and DADA-42

1. Provide cut out and doorjamb with inside dimensions as follows: 19 3/8" X 16 1/4" for DADA-18, 19 3/8" X 28 1/4" for DADA-30, and 19 3/8" X 40 1/4" for DADA-42
2. Check fitting of frame against cutout. Mark location of rivet nuts.
3. Secure the steel frame with 16 screws of type #10 X 3/4 truss head phillips S/S.
4. Attach doors to frame. (See figure 2)
5. Adjust doors as follows:
 - a) For height adjustment, loosen the two screws attached to each mounting plate. (See figure A)
 - b) Snap off hinge and secure mounting plate with #6 X 1 flat phillips S/S. (See figure B).
 - c) For side adjustment turn screw to increase or decrease door overlay. (See figure C)
 - d) For depth adjustment, loosen screw, adjust door to desired position and retighten screw. (See figure D)

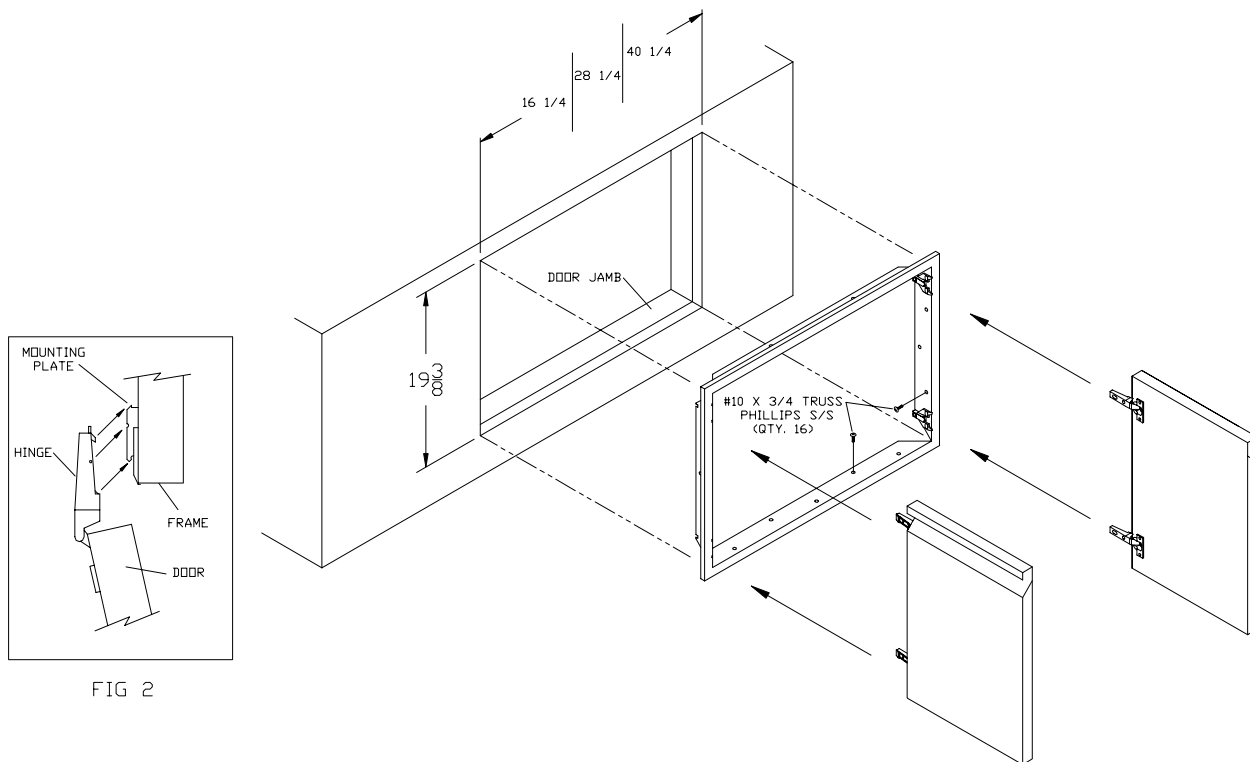


FIG 2

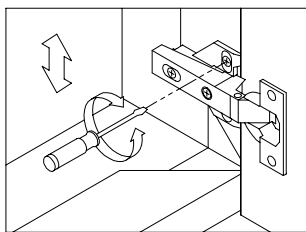


FIG A
HEIGHT ADJUSTMENT

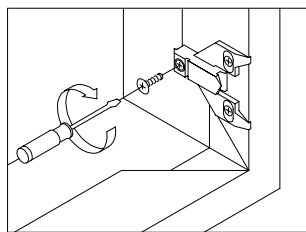


FIG B
SECURE
MOUNTING PLATE

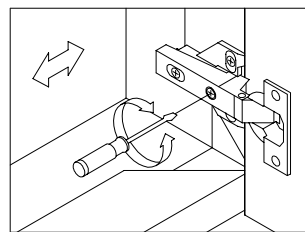


FIG C
SIDE ADJUSTMENT

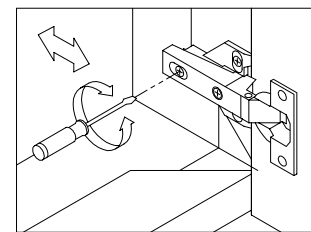
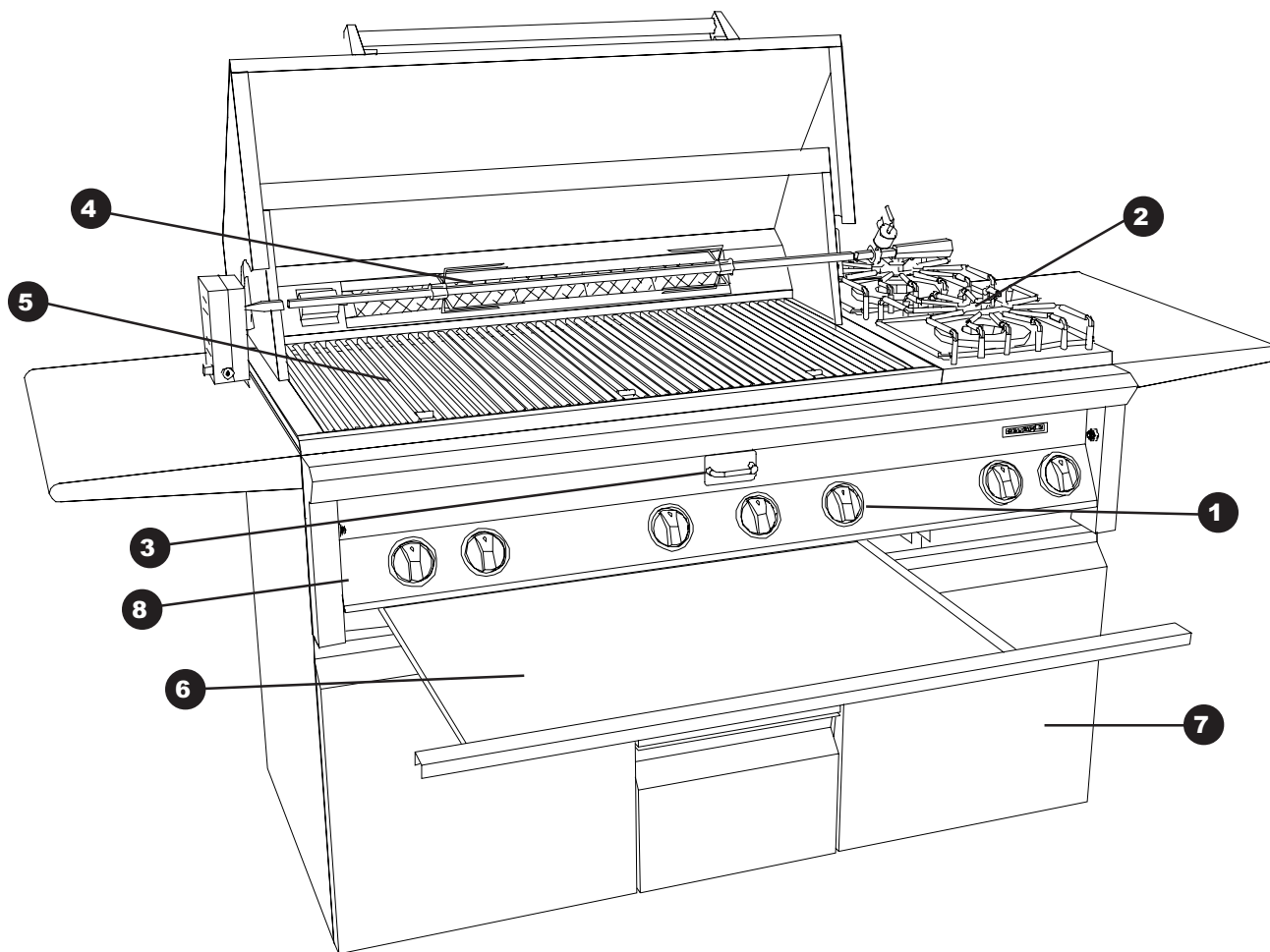


FIG D
DEPTH
ADJUSTMENT

FEATURES OF YOUR GRILL



Feature Index		See page
1	Grill Operation Cleaning and Maintenance	18-20 32-35
2	Top Burners Operation Flame Size	24-25 25
3	Smoke Drawer Operation	21
4	Rotisserie Operation	22-23
5	Grill Racks Cleaning	32
6	Drip Tray Cleaning	33
7	Exterior Surfaces Cleaning	33
8	Battery Igniter Maintenance	35
9	Questions? Easy Troubleshooting Guide	36-37

SPIDERS AND OTHER INSECTS WARNING...



Spiders and other insects can nest in the burners of the grill and block the gas and airflow to the burner ports. This creates a dangerous condition that can result in a fire from behind the valve panel. It is good practice to inspect the burners for blockage and clean them regularly; in addition, such inspection and cleaning is absolutely necessary if any of the following conditions exists:

- a) Smell of gas in conjunction with a yellow flame.
- b) Grill does not heat completely.
- c) Grill heats unevenly.

In case any of the above conditions is present, turn off the grill immediately; after allowing it to cool, inspect and clean the burners as described on pages 34-35 of this manual.

BEFORE USING YOUR GRILL...

Prior to turning the gas on, inspect the gas supply piping or hose. Make sure only the supplied hose and regulator are being used. If signs of abrasion, cuts wear and tear, or other damage are noticed on the hose, it must be replaced. Contact your local Dynasty dealer for replacement parts.



Operation

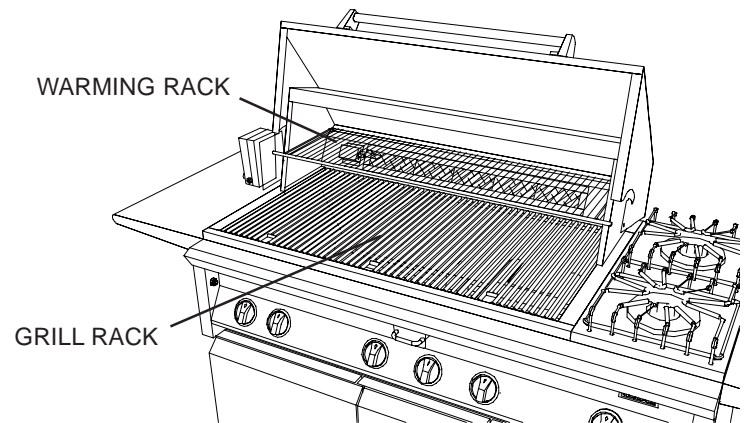
USING YOUR GRILL

Your Dynasty grill consists of a set of U-burners, a bed of ceramic briquettes and a heat retaining cooking rack. Located above the burners, the stainless steel trays supporting the ceramic briquettes protect the burner ports from blockage. Each burner is rated at 25,000 BTU. The grill burners, encompassing the entire cooking area, are also side ported to minimize blockage from falling grease

and debris. Also available in some models are IR burners providing intense infrared radiant heat. This type of heat allows proper searing and browning as well as even cooking of meats. Grease and food particles are vaporized upon contact with the IR burner providing and enriching the flavor of the food being cooked.

Grilling

Grilling requires high heat for searing and proper browning. Most foods are cooked at the HI heat setting for the entire cooking time. However, when grilling large pieces of meat or poultry, it may be necessary to turn the heat to a lower setting after the initial browning. This cooks the food through without burning the outside. Foods cooked for a long time or basted with a sugary marinade may need a lower heat setting near the end of the cooking time. Warming rack is used for defrosting or for keeping food warm while grilling.



Grilling Hints

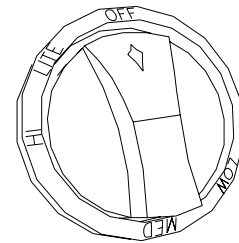
- The doneness of meat, whether rare, medium, or well done, is affected to a large degree by the thickness of the cut. Expert chefs say it is impossible to have a rare doneness with a thin cut of meat.
- The cooking time is affected by the kind of meat, also by the size and the shape of the cut, the temperature of the meat when cooking begins, and the degree of doneness desired.
- When defrosting meats it is recommended that it be done overnight in the refrigerator as opposed to a microwave. This generally yields a juicier cut of meat.
- Use a spatula instead of tongs or a fork to turn the meat. A spatula will not puncture the meat and let the juices run out.
- To get the juiciest meats, add seasoning or salt after the cooking is finished and turn the meat only once (juices are lost when the meat is turned several times). Turn the meat just after the juices begin to bubble to the surface.
- Trim any excess fat from the meat before cooking. To prevent steaks or chops from curling during cooking, slit the fat around the edges at 2-inch intervals.
- Do not leave the grill unattended while cooking.

Operating The Grill

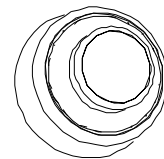
Make sure all burner controls are off. Do not attempt to light the burners if the smell of gas is present.

For propane grills, check the connection with a soap and water solution after attaching the hose. Make sure there is gas in the tank and it is sitting upright.

1. Make sure the drip tray is in place.
2. Light the grill burners using the instructions below.
3. Turn the control knob to HI and preheat the grill for 15 minutes. The top cover should be closed during the preheat period.
4. Place the food on the grill and cook to the desired doneness. Adjust heat setting, if necessary. The control knob may be set to any position between HI and LOW.
5. When using the IR main burner, be sure to allow it to be fully preheated to a bright red glow prior to placing food products on the cooking grate.
6. With the intense temperatures that the IR burner reaches, it is highly recommended that the grill hood be kept in the open position while it is in use.
7. When cooking on the IR main burner has been completed (SA & IA models) and the burner is turned off, make sure no food is left on the grate above the IR burner so no drippings will fall into the cooled burner ports.
8. To ensure quality performance of your IR Burner, be sure to run it on high for 10 minutes after your food has been removed at the end of cooking, to keep the burner ports clear
9. Allow the grill to cool and clean the drip tray after each use.



BURNER CONTROL KNOB



IGNITER BUTTON

Lighting The Grill Burners

1. Open the hood.
2. Keep your face as far away from the burners as possible.
3. Push in and turn counter clockwise the gas control knob for the grill to the LITE or HI position.
4. "Push igniter button; a multiple clicking noise should be heard from the igniter indicating a spark is being provided to the burner.
5. Listen for the "Woosh" sound. If the burner does not light on the first try, repeat immediately.
6. If the burner does not light after 5 seconds, turn the control knobs to the OFF position. Wait 5 minutes until the gas clears before attempting to light it again.

(continued next page)



USING YOUR GRILL

(continued)

Lighting The Grill Burners

7. Repeat the procedure or try “Manual Lighting procedure” below.
8. Upon successful lighting, repeat the process on the other burners you wish to light.
9. To shut off burners push in knob and turn to OFF. It is normal to hear a popping sound when the burners are turned off.

Manually Lighting The Grill Burners

1. Open the hood.
2. Remove the grates over the burners you wish to light.
3. If you have just attempted to light the burner with the rotary igniter knob, allow 5 minutes for any accumulated gas to dissipate.
4. Keep your face as far away from the burners as possible.
5. Pass a lit, long stem match through one of the small briquette tray holes and position it near the burner ports.
6. Push in and turn counter clockwise the grill’s gas control knob to the LITE position.
7. Listen for the “Woosh” sound. If the burner does not light after 5 seconds, turn the control knobs to the OFF position. Wait 5 minutes until the gas clears before attempting to light it again.
8. If the burner does not light after several attempts see Troubleshooting Guide on pages 36-37.
9. Upon successful lighting, repeat the process on the other burners you wish to light.

USING THE SMOKER DRAWER



The smoker drawer consists of a stainless steel slide out drawer positioned near the front. A smoker burner in the unit has also been designed for easy use.

After deciding which wood chips to use (see chart below), soak them thoroughly in water, then place them into the drawer. Light the smoker burner by first rotating the gas control knob to the LITE or HIGH position; push igniter button. Set gas control knob to HIGH setting for 5 to 10 minutes to initiate smoking. Lower the flame to desired setting, then place meat on the grill. The specially designed smoker will smoke the wood while the grill cooks the food. Keeping the grill lid closed as much as possible will maximize the smoking effect.

If the wood chips do flame up, add a small amount of water to extinguish the flame. This should be done carefully by pulling the drawer out slightly. Use caution when adding water to a hot drawer to avoid steam burns, and never completely remove a hot drawer.

The drawer may also be filled with water to produce steam. Whether smoking or steaming the lid should remain closed as much as possible to maximize the effect.

During extended roasting periods it is normal to add fresh wood chips to the drawer several times.

Wood Type	Characteristics and Use
Alder	A medium, tart smoke taste. Superb on salmon and other fish, chicken or game.
Maple	Sweet, hearty smoke flavor. Best with fish, jerky or bacon.
Apple	A light, sweet flavor. Superb with poultry, ham or sausages.
Hickory	Heavy smoke flavor. Best with beef, pork or game.
Mesquite	A light smoke flavor. Best with fish, poultry or beefs.
Oak	Heavy smoke flavor. Best with beef, lamb or pork.
Pecan	A rich, sweet, versatile flavor. Can be used with anything.
Grapevine	A strong smoke flavor. Best with beef or poultry



operation

USING YOUR ROTISSERIE

The rotisserie burner is an infrared type, which provides intense searing radiant heat. Preferred by professional chefs over other methods, this intense heat is ideal for

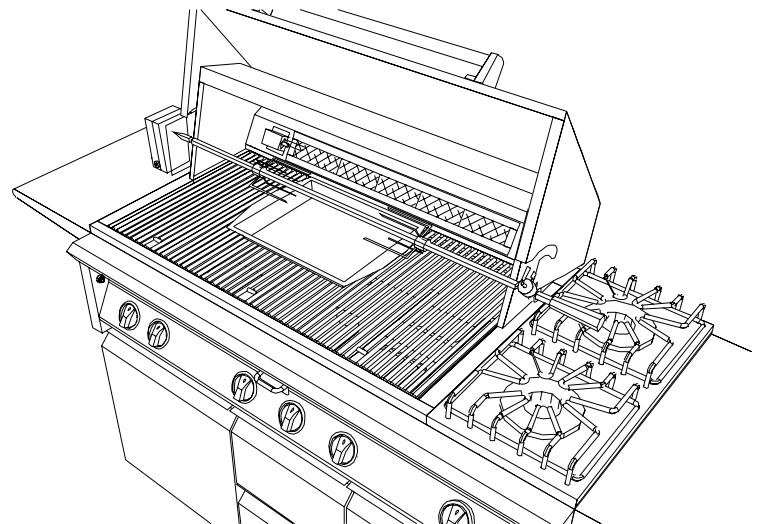
searing in the natural juices and nutrients found in quality cuts of meat.

Cooking with the Rotisserie

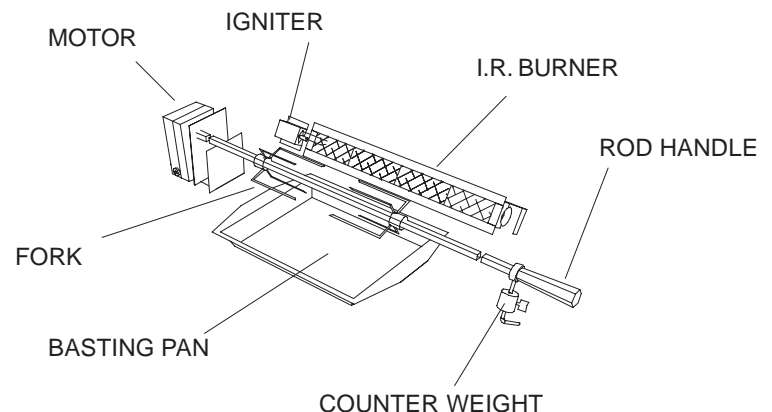
The rotisserie system is designed to cook items from the rear using infrared heat. The location of the burner allows the placement of a rotisserie-basting pan (included) beneath the food to collect juices and drippings for basting and gravy. To flavor the contents of the basting pan, you can add herbs, onion, garlic, or spices. Hams are especially good with the addition of pineapple slices and brown sugar to the basting pan.

Operating The Rotisserie

1. To load the rotisserie rod, hold the handle firmly while sliding one of the fork assemblies (prongs facing away from the handle) onto the rod. Carefully push the rod through the center of the food, then slide the other holder (prongs toward the food) onto the rod. Center the meat on the rod and push the fork assemblies firmly together. Tighten the thumbscrews. To secure any loose portions of your meat, use butcher string (never use nylon or plastic string). Place basting pan under the food to collect the drippings.
2. To use the rotisserie, first mount the motor on the left side of the grill. Place securely onto support bracket.
3. The rod of the rotisserie system is assembled into the motor by placing the pointed end into the motor and resting the threaded end on the support at the side of the grill. Once the rod is pushed as far as possible into the motor, the grooved end of the rod will rest on the right side bracket.
4. If necessary, to offset unbalanced loads, slide the counter weight on to the rod. With the counter weight loose, allow the loaded rod to rotate and come to a stop. Now rotate the counter weight above the rod in a vertical position and tighten the thumbscrew. You can slide the counter weight away from or closer to the rotisserie rod as needed for balanced operation.
5. Light rotisserie burners following instructions on page 23. Once lit, the rotisserie burner will reach temperature in about 1 minute. The orange/red glow will even out in about 5 minutes.



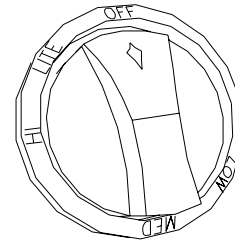
ROTISSERIE SET UP





Lighting The Infrared or Rotisserie Burner

1. Open the hood.
2. Push in and turn counter clockwise the gas control knob for the IR (infrared) burner to the HI position. This is the knob farthest to the left. On units with two IR burners, the control knob for the right IR burner is the knob farthest to the right.
3. "Push Igniter Button; a multiple clicking noise should be heard from the igniter indicating a spark is being provided to the burner.
4. If the burner does not light on the first try, repeat immediately.
5. If the burner does not light within 5 seconds, turn the control knob to the OFF position. Wait 5 minutes until the gas clears before attempting to light it again.
6. Repeat the procedure or try "Manual Lighting procedure" as shown below.
7. Upon successful lighting, repeat the process on any other available IR burner you may wish to light.

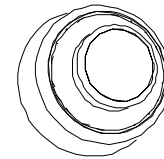


BURNER CONTROL KNOB

Wait 5 minutes before re-lighting a HOT rotisserie burner.

Manually Lighting The Infrared or Rotisserie Burner

1. Open the hood.
2. Push in and turn counter clockwise the gas control knob for the IR (infrared) burner to the HI position.
3. Hold a lit long stem match next to the burner ports.
4. If the burner does not light within 5 seconds, turn the control knob to the OFF position. Wait 5 minutes until the gas clears before attempting to light it again.
5. If the burner does not light after several attempts see troubleshooting guide on page 37.
6. Upon successful lighting, repeat the process on any other available IR burner you may wish to light.



IGNITER BUTTON

Wait 5 minutes before re-lighting a HOT rotisserie burner.



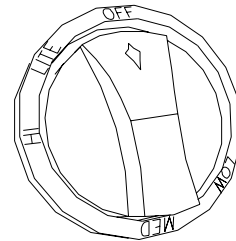
operation

USING THE TOP BURNERS

Some Dynasty grills have optional top burners equipped with igniter buttons for lighting.

Lighting The Open Burners (Optional)

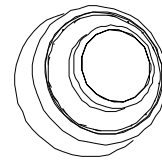
1. Remove the burner cover, if any, or any cooking utensils from the burner grate. **Caution: The burner cover may be hot if the grill burners are in operation.**
2. Push in and turn counter clockwise the gas control knob for the burner to the LITE position.
3. Push the igniter button; a multiple clicking noise should be heard from the igniter indicating a spark is being provided to the burner.
4. If the burner does not light on the first try, repeat immediately.
5. If the burner does not light after 5 seconds, turn the control knobs to the OFF position. Wait 5 minutes until the gas clears before attempting to light it again.
6. Repeat the procedure or try “Manual Lighting procedure” below.
7. Upon successful lighting, repeat the process on any other available burner you may wish to light.



BURNER CONTROL KNOB

Manually Lighting The Open Burners

1. Remove the burner cover, if any, or any cooking utensils from the burner grate. **Caution: The burner cover may be hot if the grill burners are in operation.**
2. Push in and turn counter clockwise the gas control knob for the burner to the **LITE** position.
3. Hold a lit long stem match next to the burner ports.



IGNITER BUTTON

(continued on next page)

Manually Lighting the Open Burners (continued)

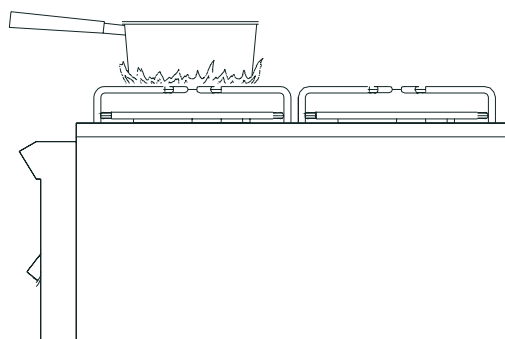
4. If the burner does not light after 5 seconds, turn the control knobs to the OFF position. Wait 5 minutes until the gas clears before attempting to light it again.
5. If the burner does not light after several attempts see troubleshooting guide on pages 36-37.
6. Upon successful lighting, repeat the process on any other available burner you may wish to light.

Flame Size

The correct size of the flame depends on the size and material of the utensil being used, the food being cooked and how much liquid is in the utensil.

Here are some basic rules for selecting the flame size.

- The flame should never extend beyond the bottom of the pan.
- Utensils, which conduct heat slowly (such as glass-ceramic) should be used with a low or medium flame unless you are cooking with a large amount of liquid.
- When boiling, adjust the flame to the size of the cookware until boiling begins. Then lower flame height to the minimum needed to maintain a gentle boil. Foods cook just as fast at a gentle boil as they do at a vigorous boil.





operation

Grilling Guide

(Preheat grill on **HIGH** with cover closed for 15 minutes prior to any cooking.)

Preparation

*Techniques and Cooking Time**

BEEF

Steak Rib-eye Filet Porterhouse/T-Bone 1-inch thick

Rub generously with spice rub or salt and pepper. **Grill on HIGH, uncovered, for 5-7 minutes per side. Sear 2 minutes, rotate 90°, cook an additional 3-5 minutes. Turn. Repeat on second side. Allow to stand 2-3 minutes before serving. For thick (2-inch) steaks increase cooking time 2-3 minutes per side.**

Tenderloin Roast (2 pounds)

Rub with oil, follow with a generous amount of spice rub or salt and pepper. Place roast where burner is turned off near the center of grill. Cover. Remove from grill and allow to stand 8-10 minutes.

Sear all sides 3 minutes each on HIGH. Continue cooking using indirect heat (turn one burner OFF and reduce heat to MEDIUM/HIGH on second burner), covered, for 30-35 minutes or until desired doneness.

Prime Rib Roast or Rib-eye Roast

(See rotisserie section.)

Skirt and Flank Steak

Marinate steak for at least 30 minutes prior to grilling. Skirt and flank steaks are best cooked to medium-rare. If cooked longer the meat will get dry and tough.

Grill on HIGH, uncovered, for 3-4 minutes per side. Remove from the grill, tent with foil and allow to stand 6-8 minutes. Thinly slice against the grain and serve.

Hamburgers

(See ground meat section.)

PORK

Chops 1 to 1 1/2-inches thick

Rub generously with spice rub or salt and pepper. **Sear on HIGH 2 minutes per side. Reduce heat to MEDIUM/HIGH, continue cooking, uncovered, for 7-9 minutes per side.**

Pork Tenderloin (1 pound)

Rub lightly with oil, follow with spice or herb rub. Or, marinate for several hours. Drain well before grilling.

Sear all sides 2-3 minutes each on HIGH. Reduce heat to MEDIUM continue cooking, uncovered, for 12-18 minutes, turn as needed or until meat thermometer reads 150°.

Pork Loin Rib Roast (3-4 pounds)

Rub generously with spice rub or salt and pepper.

Grill using indirect heat - after preheating turn one burner OFF and second burner to MEDIUM/HIGH. Place roast on grill, fat side up, where burner is turned OFF. Cover. Grill 75-80 minutes or until meat thermometer reads 150°.

***Cooking times are guidelines and based on MEDIUM doneness or the temperature specified Cooking times may vary due to the starting temperature or cut and fat content of the food.**



Spareribs precooked

Rub generously with spice rub and roast in 300° oven for 2 hours. Place on preheated grill.

Grill on MEDIUM, uncovered, for 20-25 minutes until seared and browned, turn as needed. Baste with BBQ sauce the last 10-15 minutes of cooking.

Spareribs uncooked

(See rotisserie section.)

Sausages

(See ground meat section.)

LAMB

Loin Chops 1-inch thick

Rub lightly with oil, follow with spice rub or salt and pepper.

Grill on MEDIUM/HIGH, uncovered, for 5-7 minutes per side.

Leg of Lamb

(See rotisserie section.)

POULTRY

Whole Chicken (3-4 pounds)

(See rotisserie section.)

Chicken Butterflied or Halves (3-4 pounds)

Rub lightly with oil, follow with spice rub or marinate for 2 hours or more; drain well.

Grill using indirect heat - after preheating turn one burner OFF and second burner to MEDIUM/HIGH. Place on grill, skin side up, where burner is turned OFF. Cover. Grill 60-65 minutes or until thermometer reads 180°.

Chicken Pieces

Rub with spice rub or marinate for several hours; drain well.

Sear on HIGH, uncovered, 4 minutes per side. Reduce heat to MEDIUM/LOW. Continue cooking 20 minutes, covered, turning once.

Boneless Skinless Chicken Breasts (6-8 ounce)

Marinate for at least 1 hour up to 12 hours; drain well.

Sear on HIGH 2 minutes per side. Reduce heat to MEDIUM/HIGH, continue cooking, uncovered, for 5-7 minutes per side.

Turkey Breast

(See rotisserie section.)

Whole Turkey

(See rotisserie section.)



FISH (To help avoid fish sticking to the grill: make sure the grill is clean, the grill grates are very hot and the fish is lightly coated with oil. After the fish is placed on the grill, leave it in its original position for at least a couple of minutes before moving it.)

Fish Fillets (1/2 to 3/4-inch thick)

Coat lightly with oil and season.

Grill on **MEDIUM**, uncovered, for 5-7 minutes per side.

Fish Steaks (1 to 1 1/2-inches thick)

Coat lightly with oil and season.

Grill on **MEDIUM/HIGH**, uncovered, for 6-8 minutes per side.

Shrimp

Marinate for at least 30 minutes, drain well. Skewer smaller shrimp; larger shrimp can be grilled directly on the grill.

Grill on **MEDIUM/HIGH**, uncovered, for 2-4 minutes per side, depending on the size.

GROUND MEATS

Beef/Lamb/Pork 3/4-inch thick

Season well with salt and pepper. Turn only once.

Grill on **HIGH** or, if fat content is high, on **MEDIUM/HIGH**, uncovered, 5-7 minutes per side.

Fresh Bratwurst Italian or Polish Sausages

Parboil for 8-10 minutes.

Grill on **MEDIUM/HIGH**, uncovered, for 8-10 minutes. Turning frequently.

VEGETABLES (Make sure the grill grates are clean.)

Grill the following on MEDIUM/HIGH uncovered brush with olive or vegetable oil before grilling. Season as desired.

Asparagus Spears -	5-7 minutes, roll every 1-2 minutes until slightly browned
Bell Peppers Quarters -	10-15 minutes, turn several times
Eggplant Slices -	4-6 minutes per side until golden brown
Portabella Mushrooms -	3-5 minutes per side until browned
Onion Slices -	6-8 minutes per side until soft and lightly charred
Summer Squash Halved Lengthwise -	4-5 minutes per side until lightly charred
Plum or Roma Tomato Halves -	5-7 minutes skin side down, do not turn

Corn on the Cob

Peel away the outer layers of husk leaving a layer or two for protection. Remove silks.

Grill on **HIGH**, uncovered, for 10-12 minutes turning every couple of minutes until husks are charred and corn kernels are slightly browned.



FRUITS - Apples, Pineapple, Peaches, Plums (Make sure the grill grates are clean.)

Brush with melted butter before grilling.

Grill on MEDIUM, uncovered, turning frequently until lightly browned and softened.

SPECIAL ITEMS

Pizza (6 to 8-inch thin crust)

Make sure the grill grates are clean.

Grill on MEDIUM/HIGH, uncovered. Lay oiled side of crust directly on grates.

Lightly coat one side of uncooked crust with olive oil.

Grill 2-3 minutes, rotate 90° after one minute. Turn. Sprinkle with cheese and add toppings of your choice. Continue cooking 5-6 minutes, rotate several times.

Quesadillas

Make sure the grill grates are clean. Lightly coat one-side of flour tortilla with oil. Lay on baking sheet, oil side down. Add filling of your choice. Top with second tortilla, press together and brush top lightly with oil.

Grill on MEDIUM, uncovered. Lay filled tortillas directly on grates. Cook 2-3 minutes per side until golden brown, rotate 90° after one minute to ensure even browning.

Rotisserie Guide

Preparation

Techniques and Cooking Time*

Chicken Whole (3-4 pounds tied)

Marinate or brush with oil and season. Tuck wings under and tie drumsticks together. Tie another string around the bird at the wings. Load on spit and position spit on grill. Place basting pan directly under the chicken.

Rotisserie on HIGH, covered, for 75-80 minutes or until thermometer reads 180°.

Prime Rib Roast /Rib-eye Roast (3-4 pounds, tied)

Rub roast with spice rub or plenty of salt and pepper. Load on spit and position spit on grill. Place basting pan directly under the roast.

Rotisserie on HIGH, covered, for first 15 minutes. Reduce heat to MEDIUM/HIGH and continue cooking covered for 50-60 minutes or until desired doneness. Remove from grill and allow to stand for 10-15 minutes.

Operation*Cooking times are guidelines and based on MEDIUM doneness or the temperature specified Cooking times may vary due to the starting temperature or cut and fat content of the food.



Boneless Pork Loin Roast (2-3 pounds, tied)

Rub generously with spice or herb rub or salt and pepper. Load on spit and position spit on grill. Place basting pan directly under the roast.

Rotisserie on HIGH, covered, 50-60 minutes or until thermometer reads 150°.

Pork Spareribs, uncooked (3-4 pound rack)

Rub generously with spice rub several hours before cooking. Thread the rib rack accordion style onto the spit rod. Hold securely in place with prongs. Position spit on grill. Pour equal amounts of apple juice and water or beef broth into basting pan and position under ribs.

Rotisserie on HIGH, covered, for the first 30 minutes. Reduce heat to LOW and continue cooking for 90 minutes, covered. Baste with apple juice mixture every 20-30 minutes. During the last 15 minutes of cooking brush with BBQ sauce if desired.

Pork Baby Back Ribs (2-3 pounds 2 racks)

Same as above

Rotisserie on HIGH, covered for the first 30 minutes. Reduce heat to LOW and continue cooking for 50-60 minutes, covered. Baste with apple juice mixture twice during cooking. During last 15 minutes of cooking brush with BBQ sauce, if desired.

Boneless Leg of Lamb (3 1/2 to 4 1/2 pounds rolled and tied)

Marinate or season with olive oil, garlic, herbs, salt and pepper, as desired. Load on spit and position on grill. Place basting pan under meat

Rotisserie on HIGH, covered, for 80-90 minutes or until thermometer reads 145-150 °. Allow to stand 10-15 minutes.

Turkey Breast (4 1/2 to 5 pounds bone-in)

Brine, marinate or rub generously with oil and seasonings prior to cooking. Load on spit. Use counter weight to balance load. Pour water or a combination of apple juice, water, several spoons of soy sauce and sage into the basting pan. Position pan under the turkey breast. Add water as needed to the pan during cooking.

Rotisserie on HIGH, covered, for 80-90 minutes. Baste with apple juice mixture, if desired. Reduce heat to MEDIUM and continue cooking for 20-30 minutes more or until a thermometer reads 170°. Allow to stand 10-15 minutes.



Whole Turkey (12 to 14 pounds)

Brine, if desired. Rub with olive oil. Tuck wings under. Tie drumsticks together. Tie another string around the bird at the wings. Load on spit. Use counter weight to balance load. Pour water or a combination of water and herbs into the basting pan. Position pan under the turkey. Add water as needed to the pan during cooking.

Rotisserie on HIGH, covered, for 2 1/2 hours or until thermometer reads 180°. Baste with butter about twice during cooking, if desired. Let stand 10-15 minutes before carving.

Whole Turkey (16-18 pounds)

Rotisserie on HIGH, covered, for 1 hour. Turn to MEDIUM and continue cooking for 1 1/2 to 2 hours or until thermometer reads 180°. Baste with butter about twice during cooking, if desired. Let stand 10-15 minutes before carving. Add water as needed to the pan during cooking.

(Maximum size when using the rotisserie is 18-18 1/2 pounds Remove grill grates in order to accommodate the size of the turkey.) Brine turkey, if desired. Rub with olive oil Tie across wing section, largest part of drumstick area and tie drumsticks together at ends. Load on spit. Use counter weight to balance load. Pour water or a combination of water and herbs into basting pan. Place basting pan directly on the briquettes under turkey.



cleaning

CLEANING AND MAINTENANCE

As with any piece of fine equipment, your Dynasty Grill must be kept clean and properly maintained to maximize its performance and longevity.

Clean internal parts of the grill regularly as determined

by the amount of use and foods cooked. Clean the entire grill once a year.

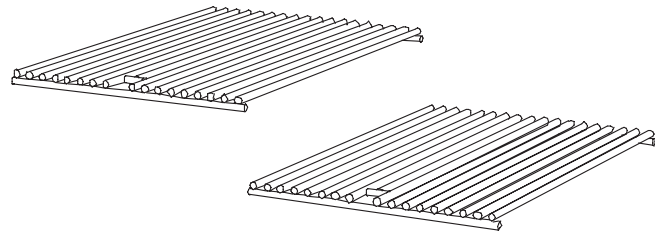
To assure safe and proper maintenance, we recommend you follow these directions carefully.

IMPORTANT: DISCONNECT ELECTRICAL SUPPLY BEFORE CLEANING ANY PART OF THE GRILL

Cleaning the Grill Racks

The easy way to clean the grill racks is to scrub them immediately after you have finished cooking and turned off the flame. Wear a grill mitt to protect your hand from the heat and steam. Dip a brass bristle barbecue brush in tap water and scrub the hot grill. Dip the brush frequently in this tap water. Steam, created as water contacts with the hot grill, assists the cleaning process by softening any food particles. The food particles will fall onto the briquette tray and burn or fall into the drip tray. If the grill is allowed to cool before cleaning, the removal of those residual particles from food will be more difficult.

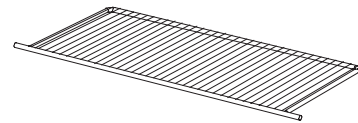
If desired, when completely cool, remove the grill racks for thorough cleaning. Use soap and water for this cleaning. Specks of grease can gather on the surface of the stainless steel and bake on to the surface rack and give the appearance of rust. For removal use an abrasive pad (like Scotch Brite) in conjunction with a stainless steel cleaner. This needs to be done in extreme cases only, or before storing the grill for an extended period.



GRILL RACKS

Cleaning the Warming Rack

The warming rack can be cleaned using the same procedure as with the grill racks above.



WARMING RACK

Cleaning the I.R. Burner

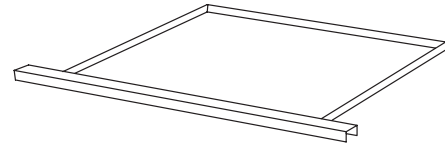
To ensure quality performance of your I.R. Burner, be sure to run it on high for 10 minutes after your food has been removed at the end of cooking, to keep the burner ports clear.



Cleaning the Drip Trays

The full width drip tray will collect grease from the grill section. It should be emptied and cleaned out after every use. Allow the pan and its contents to cool before attempting to clean. Slide out the tray and wipe it clean.

By cleaning the grease from the pan after every use you avoid the possibility of a grease fire. Make sure the drip tray is fully inserted back into its track before using the grill.

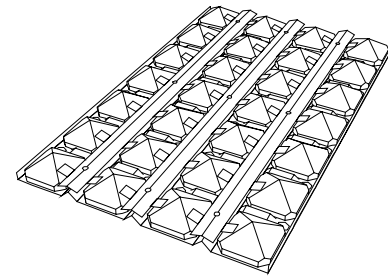


DRIP TRAY

Cleaning the Ceramic Briquettes and Radiant Trays

It is not necessary to remove the briquettes from the radiant trays for cleaning. They burn themselves clean during the next cooking operation or if desired you can burn clean them by lighting the grill and letting it burn on high for about 30 minutes.

Periodically the briquette trays should be removed and any debris cleaned out. How often you use the grill and the amount and type of food cooked will determine when it is necessary to clean the briquette trays. *Never attempt to handle a hot briquette tray.*



BRIQUETTES AND TRAY

Cleaning the Stainless Steel Exterior

Your Dynasty grill is made of all welded type 304 stainless steel. This is a rust free and non-magnetic stainless steel.

There are many different stainless steel cleaners available. Always use the mildest cleaning procedure first, scrub in the direction of the grain; use more harsh methods only when necessary.

To touch up noticeable scratches in the stainless steel, sand very lightly with dry 100 grit emery paper in the direction of the grain.

Specks of grease can gather on the surface of the stainless steel and bake on to the surface and give the appearance of rust. For removal use an abrasive pad (like Scotch Brite) in conjunction with a stainless steel cleaner.

Never use steel wool to clean the grill and never clean the stainless when it is hot. Be especially careful when cleaning the polished highlights on your grill and scrub only when absolutely necessary.



cleaning

CLEANING AND MAINTENANCE

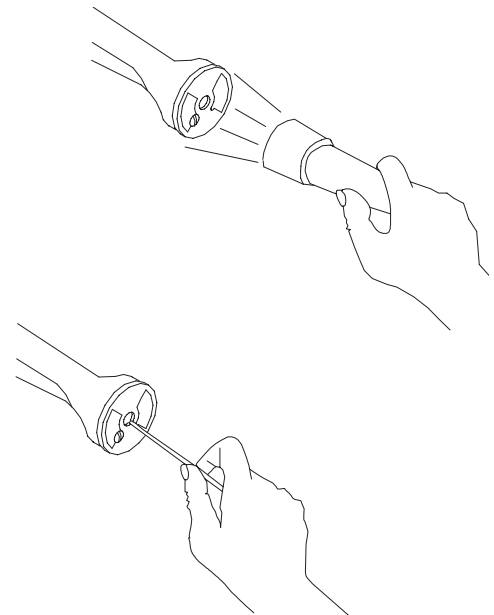
(continued)

Cleaning the Grill Burners

The grill burners should be cleaned thoroughly before using your grill after long periods of storage and monthly during regular use.

1. Be sure the gas supply is off and the knobs are in the OFF position. **Make sure the grill is cool.**
2. Remove the grill racks and the briquette trays complete with the briquettes.
3. Slide out and remove any smoker drawer.
4. Grasp the burner and lift it up and slightly to the rear of the unit. Angle the burner sideways carefully clearing the orifice and the opening at the front. Remove the burner.
5. Repeat steps above with each of the burners in your unit.
6. Clean the exterior of the burner with a brass bristle brush. Clear any clogged ports with a straightened paper clip. Shake out any debris through the air shutter.
7. Using a flashlight, as shown, inspect the interior of the burner for any blockages. If any are found, remove them with a straightened metal wire coat hanger as shown. Again shake out any debris through the air shutter.
8. Before replacing the burners, check grill bottom for any accumulation of grease, carbon and burnt food. Clean bottom as described below.
9. Replace the burner by sliding the air shutter over the orifice, centering the burner on the orifice hole. When properly centered, the burner rear legs will fit into the square mounting holes of the burner support rail. **It is extremely important to properly center the burner on the orifice.** Be careful not to disturb the air shutter position. Lower the burner on to the support rail making sure it is level and does not rock.
10. Replace the briquette tray and briquettes, again making sure the tray is level and stable.
11. Replace the grill racks.
12. Light all burners and check for flame characteristics as described on Adjustments and Efficiency section on page 12.

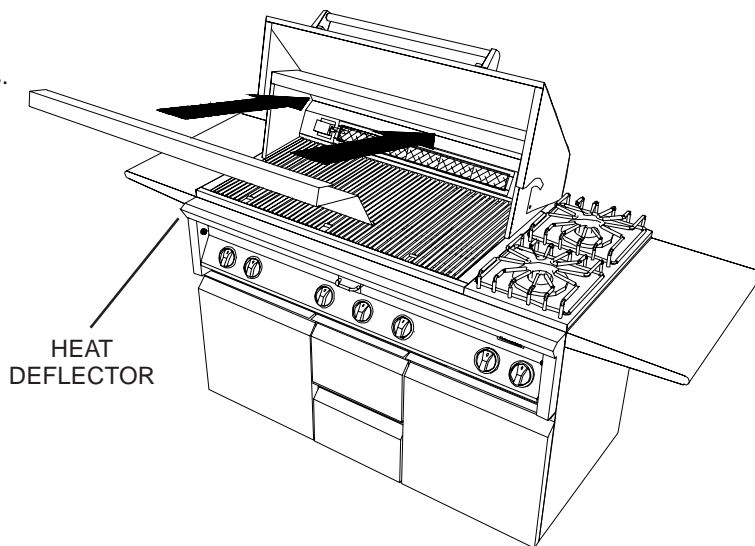
WARNING: Never spray aerosol cleaners onto or around a hot grill; The aerosol propellant or cleaner may ignite or explode causing serious injury.



Cleaning the Heat Deflector

The heat deflector will collect grease and food residuals. It should be removed and cleaned after every use.

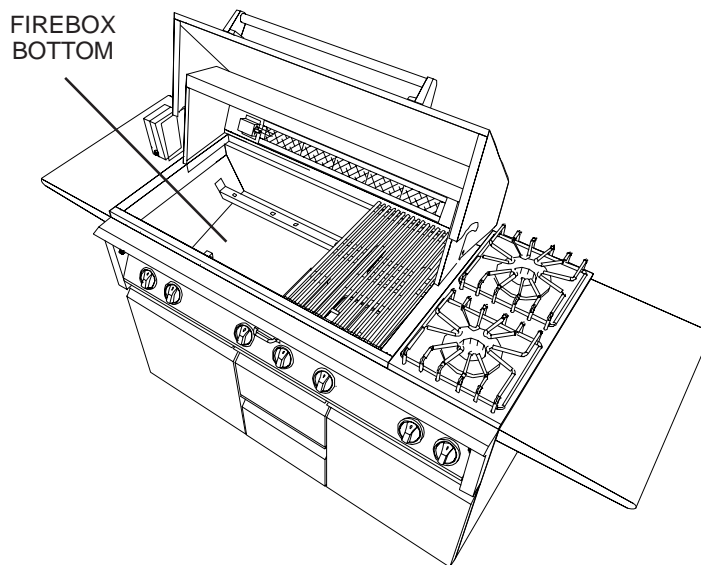
When removing the heat deflector, use care to avoid chipping its ceramic surface. Wash with a mild cleaner/degreaser, rinse and dry. Make sure the heat deflector is fully inserted back in its position before using the grill.



Cleaning Firebox Bottom

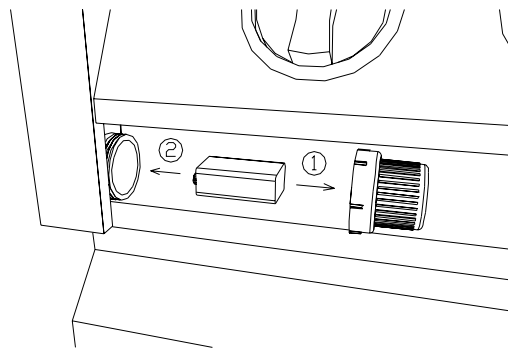
Before you put back the grill burners in step 9 of Cleaning the Grill Burners, look to see if you have an accumulation of carbon and burnt food on the bottom. If so, use a spatula or scraper and push all the carbon to the front and into the drip pan to collect and dispose.

Replacement of the igniter battery with a new fully charged battery ensures good working order of the spark igniter design. Place 9 V. battery in cover as shown 1 then, screw the cover with battery into the igniter 2.



Replacing the igniter battery

Replacement of the igniter battery with a new fully charged battery ensures good working order of the spark igniter design. Place 9 V. battery in cover as shown 1 then, screw the cover with battery into the igniter 2.





QUESTIONS?

USE THIS EASY TROUBLESHOOTING GUIDE

PROBLEM

WHAT TO DO

GRILL WILL NOT IGNITE WHEN THE IGNITER BUTTON IS PUSHED

1. Remove the grill rack and the briquette tray. Watch the igniter tip as you press igniter button. You should see a spark jump from the igniter tip to the burner.
2. If there is a spark, is gas supplied to the burner and is the line purged of air? Can you match light the burner? Do the other burners light?
3. Check the burner for blockage as described in Cleaning the Grill Burner section on page 34.
4. If there is no spark, first replace igniter battery then, call for service.
5. Visually check the electrode and wire while turning the igniter knob. If a spark occurs anywhere but at the igniter tip, the igniter must be replaced.

BURNER FLAME IS YELLOW IN CONJUNCTION WITH THE SMELL OF GAS

1. Check the burner for blockage as described in Cleaning the Grill Burner section on page 34.
2. Check the air shutter for proper adjustment as described in Air Shutter Adjustment section on page 11.

LOW HEAT WITH KNOB IN HI POSITION

1. Is the fuel hose bent or kinked?
2. Is there adequate gas supply available? Do any other gas appliances at the location appear to be below normal?
3. Is the problem isolated to one burner? If so, proceed with burner cleaning as described in Cleaning the Grill Burner section on pages 34 and 35.
4. Is the air shutter properly adjusted? See page 11 for adjusting procedure.
5. Has the grill been preheated for 15 minutes with the lid closed?

PROBLEM	WHAT TO DO
ROTISSERIE WILL NOT LIGHT	<ol style="list-style-type: none">1. Is there a spark at the igniter? If not replace 9v. igniter battery. Check if the gap between the igniter electrodes is between 1/8 to 3/16 of an inch. Can you match light the burner?
BURNER BLOWS OUT	<ol style="list-style-type: none">1. Check if burner is broken or blocked.2. Check if gas supply is sufficient. Check if LP cylinder is empty.
TOO MUCH HEAT	<ol style="list-style-type: none">1. Damaged orifice or no orifice. Improper regulator adjustment.
EXCESSIVE FLARE-UP	<ol style="list-style-type: none">1. Dirty cooking grids. Overload from fatty meats or excessive cooking temperature.

NOTE:

It is normal to hear a popping sound when the grill burners are first turned off.

NOTES

CUSTOMER SERVICE



Before calling for service...

Many operating problems are minor, and can be corrected without a technician. Refer to the Troubleshooting Guide on pages 36-37 before calling a service technician.

For additional assistance regarding the use and care of your Dynasty Grill, please contact:

Maytag Services
240 Edwards St. S.E.
Cleveland, TN 37311

1-866-820-9401
1-888-462-9824

Please have the model and serial numbers handy when calling for service (see page 3).

YOUR DYNASTY OUTDOOR GRILL WARRANTY

FULL ONE YEAR WARRANTY - PARTS & LABOR

For **one (1) year** from the original retail purchase date, any part which fails in normal home use will be repaired or replaced free of charge.

LIMITED TWO YEAR WARRANTY - PARTS ONLY

After the first year from original purchase date, parts which fail in normal home use will be repaired or replaced free of charge for the part itself, with the owner paying all other costs, including labor, mileage and transportation.

TEN YEAR WARRANTY

Any heavy duty Stainless Steel cooking grid which fails in normal household use for a period often (10) years, will be repaired or replaced, free of charge for the part itself, with the owner paying all other costs, including labor, mileage and transportation.

LIMITED LIFETIME WARRANTY

Any heavy duty Dynachrome™ burner which fails in normal household use will be repaired or replaced, free of charge for the part itself, with the owner paying all other costs, including labor, mileage and transportation.

The stainless steel body of your grill is warranted against structural deterioration for a lifetime of normal household use. This applies only to the actual body, and excludes all other costs, including labor and freight.

This warranty shall apply only to products manufactured and located in the United States and Canada. Warranty labor shall be performed by an authorized DYNASTY service agency or representative.

Warranty does not apply to damage resulting from abuse, accident, natural disaster, loss of electrical power (for any reason) to the product, alteration, improper installation or improper operation, unauthorized adjustments and calibrations performed on the product, nor damage due to harsh chemicals (i.e., cleaning products improperly applied).

Warrantor is not responsible for consequential or incidental damage. Warranty does not apply to commercial usage, or to products with altered or removed serial numbers.

Owner shall be responsible for proper installation, providing normal care and maintenance, providing proof of purchase upon request, and making the appliance accessible for service.

Warrantor's liability on any claim of any kind, with respect to the goods or services covered herein, shall in no case exceed the price of the goods or services or part thereof which gives rise to the claim.

WARRANTY SERVICE

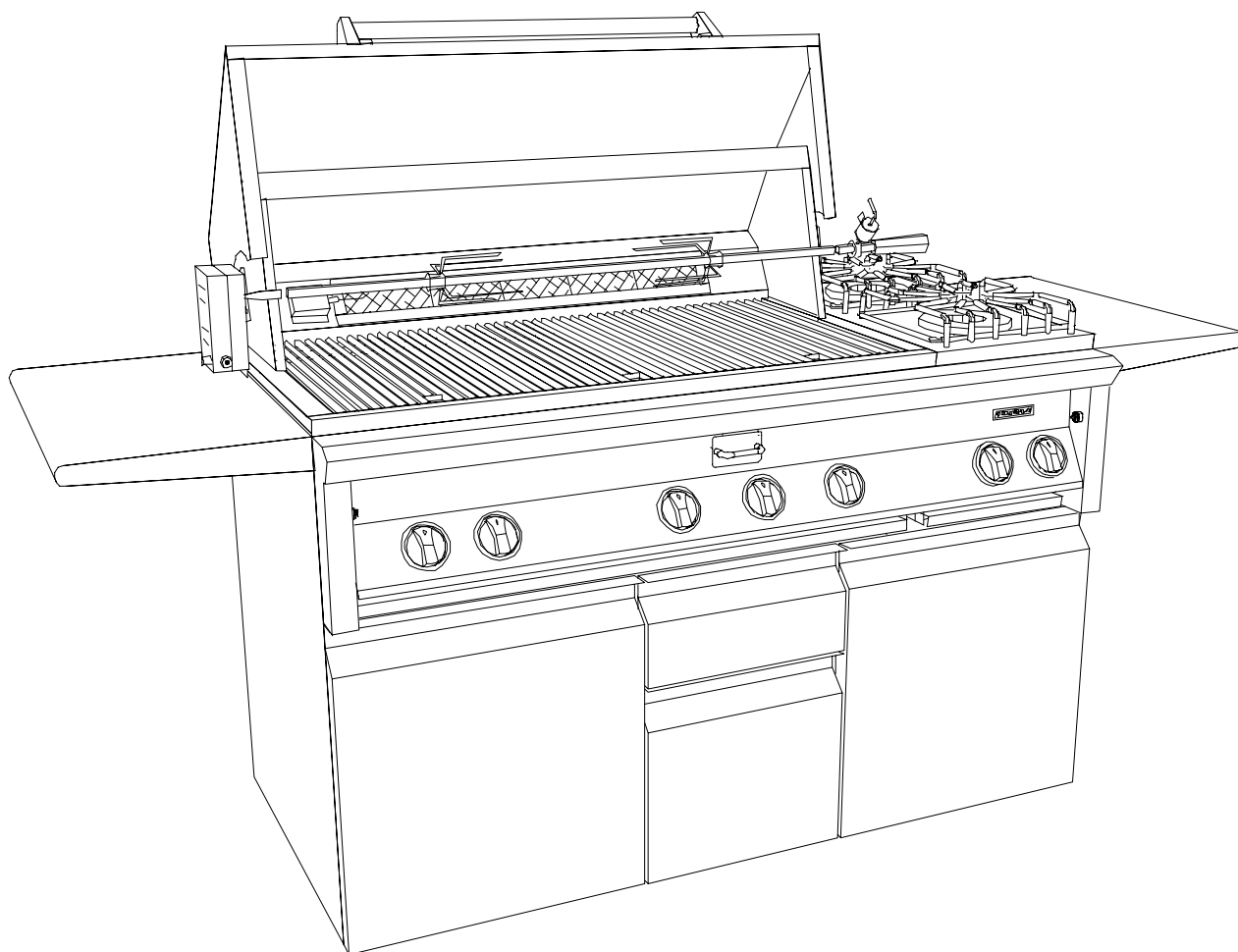
Under the terms of this warranty, service must be performed by a factory authorized DYNASTY service agent or representative. Service will be provided during normal business hours. Labor performed at overtime or premium rates shall not be covered by this warranty. To obtain warranty service, contact the dealer from whom the product was purchased, an authorized DYNASTY service agent or DYNASTY. Provide model and serial number and date of original purchase.

IMPORTANT: Retain original proof of purchase to establish warranty period.

Duration to the period of coverage of this express written warranty. This warranty grants specific legal rights to the purchaser. Other rights, which may vary from state to state, may also apply. Title to the merchandise passes to the consignee upon acceptance by the carrier. After acceptance by the carrier, the merchandise travels at the risk of the purchaser. In the event of freight damage do not refuse shipment. Advise the agent of the damage, and note the details of that damage on the freight bill before any freight charges are paid. File a claim for damages with the freight agent. In the event of concealed damage (shipment arrives in apparent good order, but upon unpacking is found to be damaged) immediately notify the freight agent in writing and retain a copy of the notification.

INSTALLATION AND USER MANUAL

MODELS:	DBQ30IA	DBQ30IAP
	DBQ30PA	DBQ30PAD
	DBQ42	DBQ42PAD
	DBQ42SA	DBQ42SAP
	DBQ55SA	DBQ55SAP



DYNASTY OUTDOOR GAS GRILL



Congratulations!

When you purchased your Dynasty Outdoor Gas Grill you purchased a grill that was created with you in mind.

Dynasty's standard features including all welded #304 stainless steel construction, exclusive 25,000 Dynachrome™ or brass burners, long lasting #304 stainless steel grates and heavy duty stainless steel spits with extra large meat holders promise you years of outstanding performance. And, Dynasty's many options offer you the opportunity to customize your grill, to your personal desires.

Enjoy! And, welcome to our Dynasty family.

This manual is intended to serve as a guide for the operation and maintenance of your new Dynasty Grill. Please read it carefully, and keep it handy for reference.

- **Installation and service must be performed by a qualified installer, service agency, or the gas supplier.**
- **To the installer: Please leave these instructions with the consumer.**
- **To the consumer: Retain these instructions for future reference.**



SEGURIDAD

Advertencias y avisos 82
 Instrucciones de seguridad 84-85
 Advertencia contra las arañas
 y otros insectos 97
 Antes de usar el asador 97



PASOS A SEGUIR

Información al consumidor 83
 Ubicación de los números de
 modelo y de serie 83
 Llène y envíe la tarjeta de garantía 83
 Garantía Portada posterior



INSTALACIÓN

Ubicación 86
 Instalación empotrada 86
 Diseños empotrados 86
 Dimensiones del corte del gabinete 87
 Requisitos de gas 88-89
 Ajustes y eficiencia 91
 Ajuste del obturador de aire 91-92
 Regulación del ajuste bajo de los
 Quemadores del asador y abiertos 92
 Pruebas de fugas 93
 Procedimiento de pruebas de fugas 93-94
 Deflector de calor 94
 Puertas de acceso 95



OPERACIÓN

Características del asador 96
 Para asar 98
 Recomendaciones para asar 98
 Para operar el asador 99
 Para encender los quemadores
 del asador 99-100
 Para encender manualmente
 los quemadores del asador 100
 Uso del cajón ahumador 101
 Uso del rostizador 102
 Para operar el rostizador 102
 Para encender el quemador
 infrarrojo o del rostizador 103
 Para encender manualmente el
 quemador infrarrojo o del rostizador 103
 Para encender los
 quemadores abiertos 104
 Para encender manualmente
 los quemadores abiertos 104-105
 Altura de la llama 105
 Guía para asar 106-111



LIMPIEZA Y MANTENIMIENTO

Parrillas 112
 Bandejas de goteo 113
 Briquetas de cerámica y
 bandejas de calor radiante 113
 Acero inoxidable 113
 Quemadores del asador 114
 Deflector de calor 115
 Fondo de la cámara de combustión 115
 Reemplazo de Baterías 115



PREGUNTAS

Use esta fácil guía de diagnóstico
 de averías 116-117



SOPORTE

Servicio al cliente
 Antes de llamar para solicitar servicio 119

• **POR SU SEGURIDAD**

1. **No use ni almacene gasolina u otros líquidos o vapores inflamables cerca de éste ni de otros electrodomésticos.**
2. **Los cilindros de gas LP que no estén conectados para usarse no deben almacenarse cerca de éste ni de ningún otro electrodoméstico.**

• **QUÉ HACER SI DETECTA OLOR A GAS**

1. **Cierre el suministro de gas al electrodoméstico.**
2. **Apague las llamas que estén encendidas.**
3. **Abra la tapa.**
4. **Si el olor persiste, llame inmediatamente al proveedor de gas o al departamento de bomberos.**



ADVERTENCIAS Y AVISOS

ADVERTENCIA: Si no se sigue la información de este manual exactamente, podría ocurrir un incendio o una explosión lo cual a su vez, puede causar daños materiales, lesiones personales o la muerte.

ADVERTENCIA: Solamente para uso exterior. Nunca use este u otro asador en el interior de una casa o dentro de una habitación o edificio de cualquier tipo. No debe utilizarse como calentador.

AVISO: Todas las instalaciones, conversiones y ajustes de gas debe realizarlos un agente de servicio autorizado.

Requisitos generales de seguridad

1. La instalación de este electrodoméstico debe estar en conformidad con los códigos locales o, en la ausencia de ellos, con el Código Nacional de Gas Combustible *National Fuel Gas Code, ANSI Z223.1*, o con el Código Nacional de Instalación de Gas *CAN/CGA-B149.1*, o con el Código de Instalación de Gas Propano *CAN/CGA-B149.2*.
2. La utilización de una fuente externa de energía eléctrica requiere que cuando se instale este electrodoméstico se conecte a tierra de acuerdo con los códigos locales, o en la ausencia de ellos, con el Código Nacional Eléctrico, *ANSI/NFPA 70* o con el Código Eléctrico *CSA C22, I*.
3. Este electrodoméstico de gas para cocinar en exteriores y su válvula individual de cierre deben estar desconectados del sistema de suministro de gas durante las pruebas de presión de ese sistema a presiones que sobrepasen ½ libra por pulgada cuadrada (3.5 kPa).
4. Este electrodoméstico de gas para cocinar al exterior debe estar aislado del sistema de suministro de gas cerrando la válvula individual de cierre durante las pruebas de presión de ese sistema a presiones iguales o menores de ½ libra por pulgada cuadrada (3.5 kPa).
5. La utilización de un sistema de suministro de gas LP independiente requiere que este cilindro se construya y esté marcado de acuerdo con las especificaciones para cilindros de gas LP del Departamento de Transporte de Estados Unidos o las Normas Nacionales de Canadá, *CAN/CSA-B339, Cilindros, esferas y cámaras para el transporte de productos peligrosos*.

INFORMACIÓN AL CONSUMIDOR



Localice los números de modelo y de serie.

Los números de modelo y de serie de su nuevo asador se encuentran en la placa del fabricante ubicada en la pared exterior de la parte de atrás del asador (vea la ilustración de abajo).

Llene y envíe la tarjeta de garantía

Sírvase llenar y enviar por correo la tarjeta de garantía que se incluye con el Asador Dynasty. Asegúrese de escribir el número de modelo y el de serie de su nuevo electrodoméstico en la Tarjeta de garantía.

Para referencia futura, escriba la siguiente información y refiérase a ella cuando se comunique con la fábrica o con un agente autorizado de servicio.

Número de modelo

Tipo de gas

Número de serie

Fecha de compra

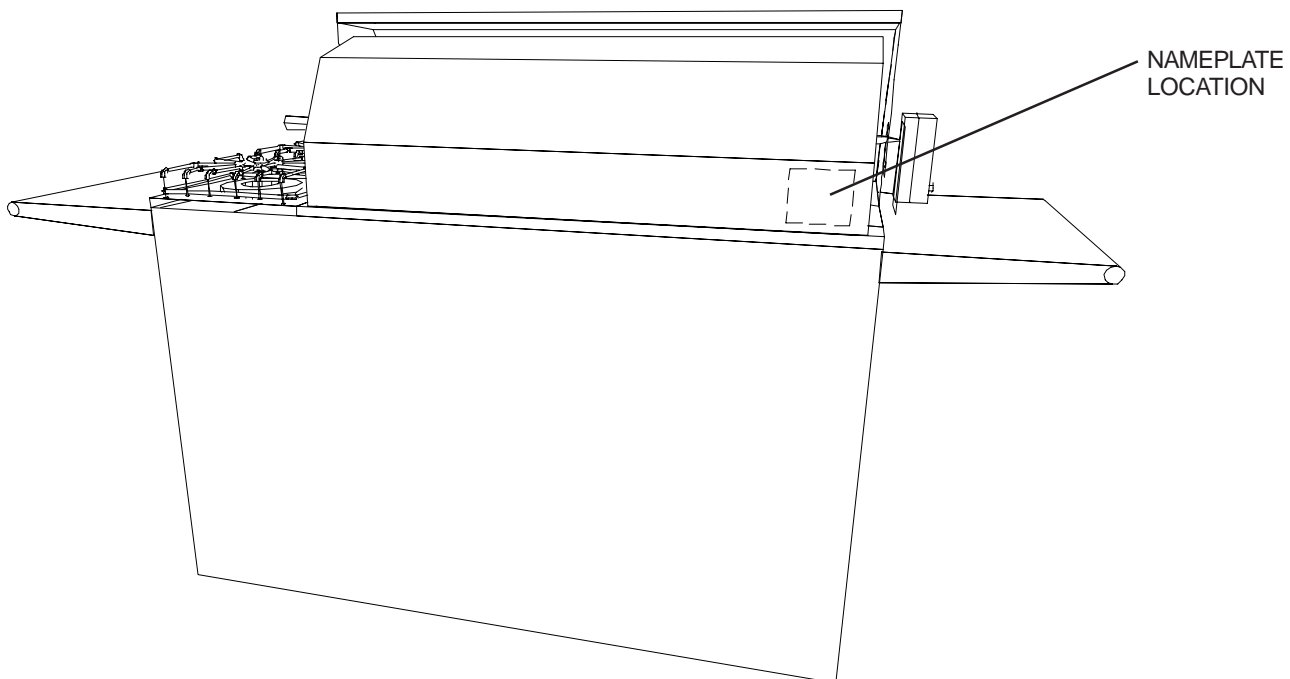
Lugar de compra

Número de teléfono

Fecha de instalación

Lo instaló

Número de teléfono





INSTRUCCIONES DE SEGURIDAD

Léalas antes de instalar y poner en funcionamiento su nuevo Asador Dynasty

Precauciones generales

- 1) El asador de gas Dynasty debe instalarse correctamente y dársele servicio de manera adecuada. Consulte las instrucciones de instalación provistas en este manual. Pregúntele al instalador dónde se encuentra ubicada, y cómo usar la llave para cerrar el gas. Todas las tuberías de suministro de gas deben tener una llave de cierre con acceso fácil y rápido.
- 2) Asegúrese de que un técnico o instalador calificado de servicio ajuste bien el asador para el tipo de gas (natural o propano) que debe usarse. Consulte las instrucciones de instalación provistas en este manual.
- 3) Si detecta olor a gas, llame a un técnico calificado de servicio. No trate de resolver el problema usted. Siga las instrucciones llamadas “Qué hacer si detecta olor a gas” en la página 81.
- 4) **Precaución:** Para prevenir incendios o daños a causa del humo, quite todos los materiales de empaque del asador antes de usarlo.
- 5) Antes de comenzar a cocinar, limpie a fondo el asador con agua caliente y jabonosa. Esto es necesario para eliminar los residuos y los solventes que se usan en la fábrica para limpiar y quitar la suciedad, el aceite y la grasa que podría haber quedado del proceso de fabricación. Las parrillas deben limpiarse a fondo.
- 6) Las arañas y otros insectos pueden hacer nidos en el asador y obstruir el flujo de aire a los puertos de los quemadores. Esto crea una condición peligrosa que puede causar un incendio por detrás del panel de las válvulas. Inspeccione y limpie periódicamente los quemadores; siga los lineamientos de limpieza y mantenimiento de las páginas 114-115.
- 7) En el caso de que un quemador se apague y el gas se escape, apague los quemadores, abra completamente la tapa del asador y deje que salga el gas. No trate de usar el asador hasta que el gas se haya disipado.
- 8) A menos que se recomiende específicamente en este manual, no repare ni reemplace ninguna pieza del asador. Un técnico calificado debe realizar todos los demás servicios. El servicio de garantía debe realizarlo una agencia autorizada de servicio.
- 9) Nunca ase nada sin la bandeja de goteo puesta en su lugar y bien insertada completamente hasta la parte posterior del asador. Sin ella, la grasa caliente podría gotear hacia abajo y producir un peligro de incendio o de explosión.
- 10) Mantenga los cordones eléctricos o los cordones del motor del rostizador alejados de las superficies calientes del asador.
- 11) Nunca use el asador cuando haga mucho viento. Si lo coloca en un lugar donde frecuentemente sopla el viento (como frente al mar, en la cima de una montaña, etc.) se necesitará una barrera contra vientos. Siempre respete los espacios libres que se indican en la página 86.
- 12) El área que rodea el asador Dynasty debe mantenerse limpia y libre de líquidos y otros materiales inflamables como trapeadores, paños, escobas, etc., así como solventes, líquidos de limpieza y gasolina.
- 13) No use el asador ni los quemadores abiertos como áreas de almacenaje para artículos inflamables o de plástico, los cuales puedan incendiarse. No almacene los cilindros de repuesto de gas propano ni materiales inflamables en el carrito ni debajo del sitio donde está empotrado. Los cilindros de repuesto de gas propano que no estén conectados para usarse no deben almacenarse cerca de éste ni de ningún otro electrodoméstico.
- 14) Nunca forre los quemadores con papel aluminio.
- 15) Cuando no se use la unidad y esté conectada a un sistema de gas LP independiente, se debe cerrar el suministro de gas del cilindro.
- 16) Un asador que se use con gas propano puede ser guardado en un local cerrado siempre que se desconecte y retire el cilindro. Los cilindros deben almacenarse a la intemperie fuera del alcance de los niños y nunca se deben guardar en edificios, garajes ni en otros lugares encerrados.
- 17) Nunca coloque este electrodoméstico debajo de un techo, una construcción combustible sin protección ni en un área encerrada como un garaje, un cobertizo o un cuarto al aire libre. Manténgalo alejado de árboles y arbustos.
- 18) Este asador de gas para exteriores no está diseñada para instalarse en vehículos de recreación ni en embarcaciones.

INSTRUCCIONES DE SEGURIDAD

(continuación)



seguridad

Precauciones relacionadas con los niños

- 1) Nunca deje a los niños sin supervisión en el área en donde se esté usando el asador.
- 2) No guarde artículos de interés para los niños alrededor ni debajo del asador, en el carrito ni en el hueco de empotrado.
- 3) Nunca permita que los niños se sienten ni se paren en ninguna parte del asador ni que se metan debajo del carrito ni en el lugar donde está empotrado.
- 4) No use agua para apagar incendios de grasa. Nunca sujete una cacerola en llamas. Apague el electrodoméstico y cubra la cacerola incendiada con una tapa que cierre bien, con una bandeja para hornear o una bandeja plana. Para la grasa que se incendie fuera de la cacerola, apáguela con bicarbonato de sodio o un extintor de incendios de sustancias químicas secas o de tipo de espuma.
- 5) Nunca deje que las prendas de vestir, los protectores aislantes ni los demás materiales inflamables estén cerca ni que entren en contacto con parrillas, quemadores ni superficies calientes de la unidad hasta que se haya enfriado. La tela puede incendiarse y causar lesiones personales.

Tome medidas de precaución

- 1) Nunca deje el asador ni los quemadores superiores desatendidos cuando se usen las llamas altas. Los derrames causan humo y las salpicaduras de aceite podrían incendiarse.
- 2) Siempre use ollas y cacerolas del tamaño adecuado. Seleccione utensilios con bases planas lo suficientemente grandes para cubrir el quemador. El uso de utensilios más pequeños deja expuestos los lados de los utensilios al contacto directo con una porción de la llama. Esto puede chamuscar los utensilios y dificultar la limpieza. Las llamas de tamaño excesivo en las ollas grandes de acero inoxidable pueden causar la decoloración permanente. Para obtener los mejores resultados, recomendamos el uso de ollas y utensilios de aluminio de calidad comercial.
- 3) Siempre coloque las asas de los utensilios hacia adentro, de extendidos sobre las áreas adyacentes de trabajo o de cocinar. Esto reduce el riesgo de quemaduras, incendio de materiales inflamables y derrames debidos al contacto accidental con los utensilios.
- 6) Cuando use el asador, no toque las parrillas, la rejilla del quemador ni las áreas que las rodean ya que estas áreas se calientan demasiado y pueden causar quemaduras.
- 7) La vestimenta adecuada es una medida de seguridad. Nunca vista prendas muy holgadas ni que cuelguen cuando use el asador Dynasty.
- 8) Use sólo protectores aisladores que estén secos; no use toallas ni otros paños voluminosos en lugar de los protectores aisladores. Los protectores aisladores húmedos o mojados que se usan en las superficies calientes pueden causar quemaduras con el vapor.
- 9) No caliente ningún recipiente cerrado de vidrio o metal de alimentos en el asador. La presión podría acumularse y causar que el recipiente explotara lo que a su vez causaría lesiones graves o daños personales.
- 10) Use carbón en el asador solamente con la caja de carbón opcional (CB-12).

**CONSERVE ESTE MANUAL
COMO REFERENCIA FUTURA**



instalación

INSTALACIÓN DEL ASADOR DYNASTY

El funcionamiento seguro y satisfactorio del asador Dynasty depende de la instalación correcta. Los ajustes de instalación y el servicio del asador Dynasty debe realizarlos solamente

instaladores y técnicos calificados de servicio. Esto es necesario para garantizar el funcionamiento adecuado y también para prevenir accidentes.

Ubicación

Cuando determine la ubicación adecuada tome en cuenta todos los factores como la exposición al viento, la cercanía a las áreas de tráfico y trate de mantener las tuberías tan cortas como sea posible. Coloque el asador solamente en un área bien ventilada. Para los modelos independientes deje 12" (30.5 cm) por los lados y la parte posterior a la construcción combustible adyacente.

Instalación empotrada

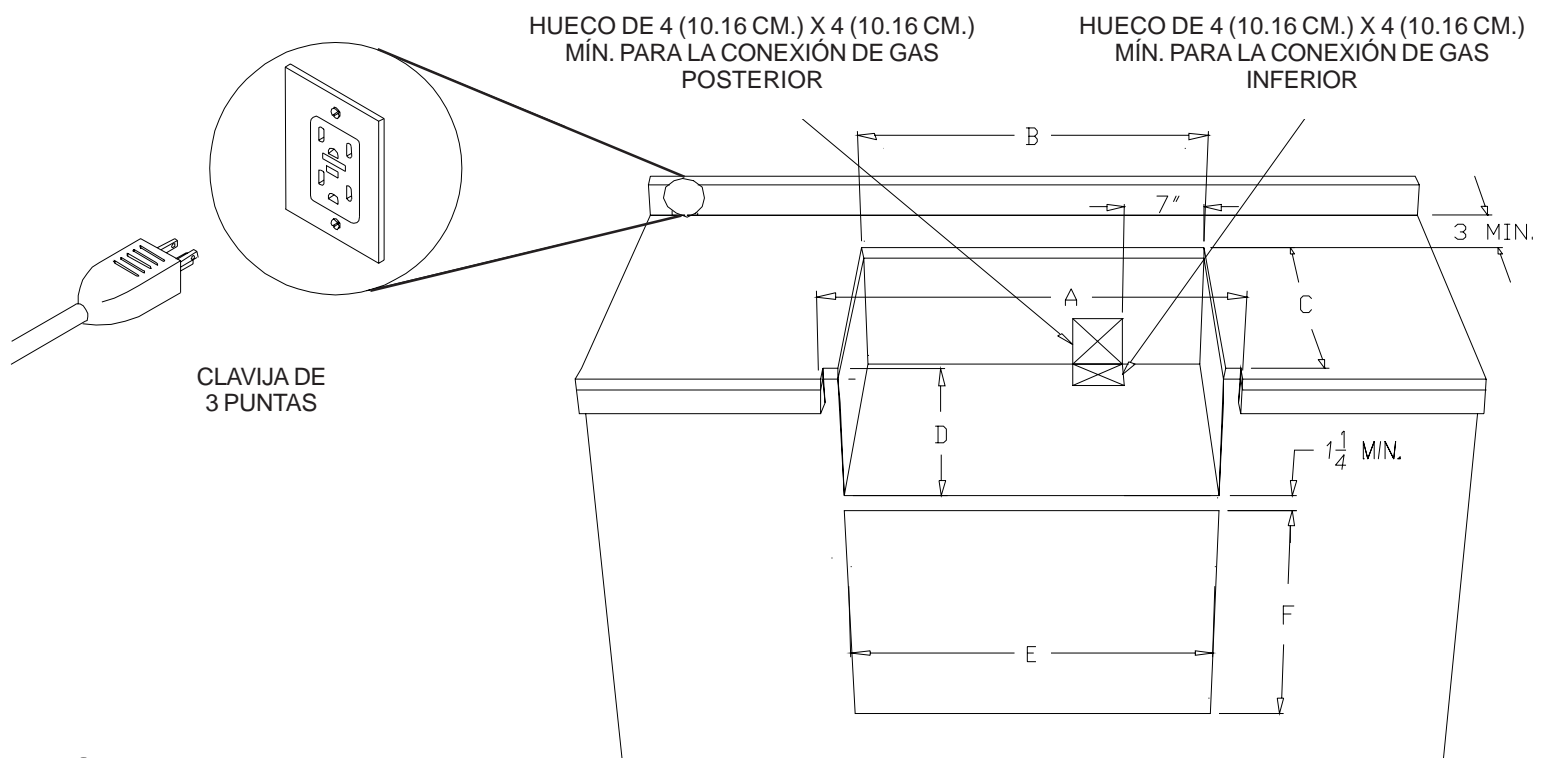
La parrilla Dynasty está diseñada para instalarse en un sitio que no sea combustible.

El piso de apoyo y el mostrador deben estar bien nivelados y planos. Cuando determine la ubicación definitiva del asador será necesario que se proporcionen orificios de ventilación en el hueco de manera que el gas no se quede atrapado en caso de que ocurra una fuga (vea la página 89).

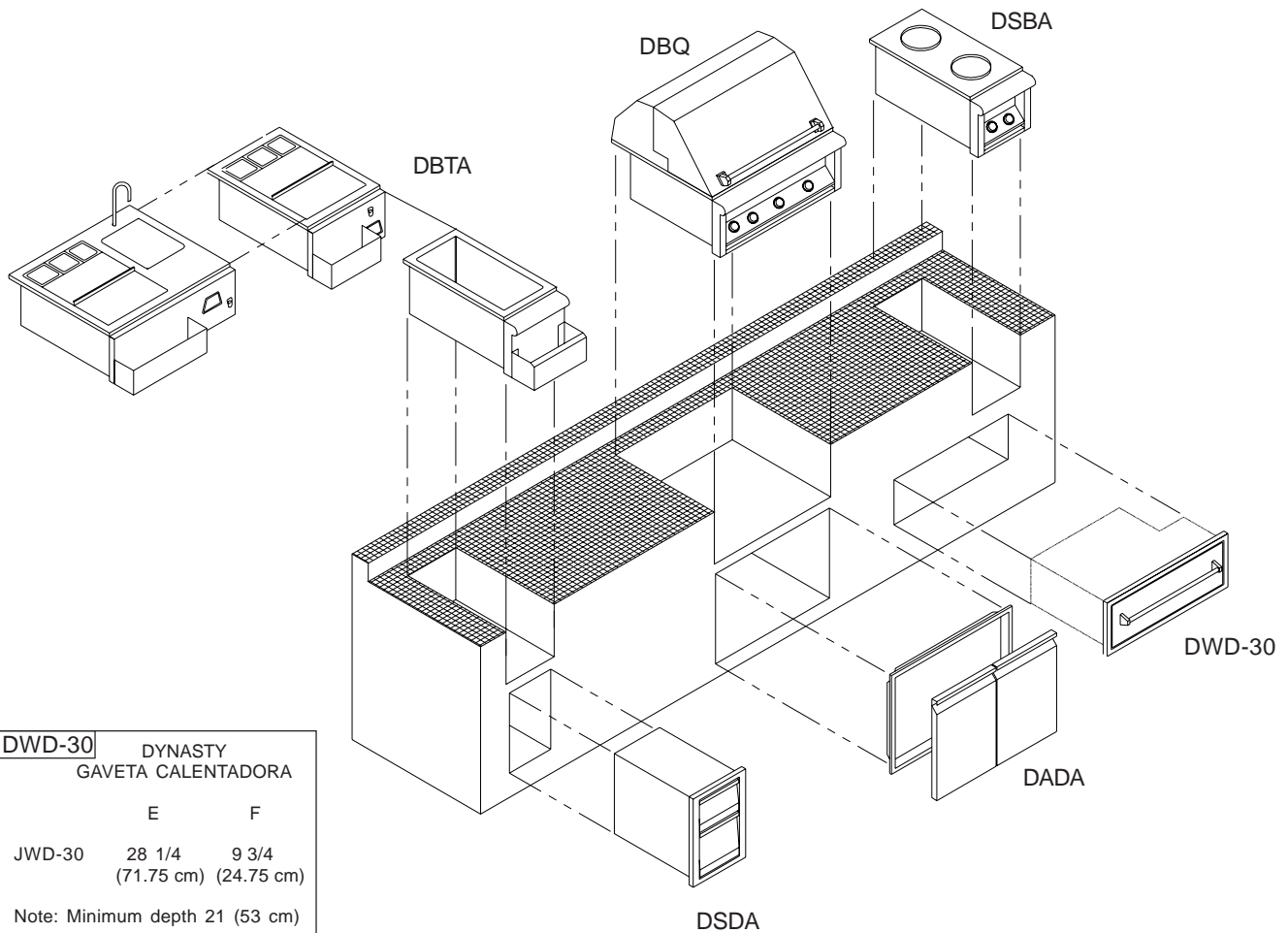
Cuando instale el asador Dynasty en un sitio combustible, será necesario que use una funda aisladora o un manguito aislador que sean adecuados; siga las dimensiones del corte del hueco según se muestran en la página 86. Use solamente fundas aisladoras o manguito aisladores fabricados por Jenn-Air.

Modelos de diseño empotrado

Si usa una pared posterior, coloque el tomacorriente eléctrico a prueba de intemperie al lado izquierdo del motor del rostizador. El motor del rostizador requiere un suministro de 110/120 voltios de corriente alterna. El cordón del suministro eléctrico está equipado con una clavija de 3 puntas (de conexión a tierra) para ofrecer protección contra los riesgos de descargas eléctricas. No corte ni quite la punta de conexión a tierra de la clavija. Nota: Vea tablas con dimensiones en la pagina 87 refiriéndose a esta figura abajo. Cuando se instale el asador, quemadores abiertos o el bar de entretenimiento, en un gabinete con borde sobre saliente, la dimension "A" es el ancho de la unidad mas 1/8 de margen o despeje.



DIMENSIONES DEL CORTE DEL HUECO DEL GABINETE PARA EL ASADOR DE GAS Y LOS ACCESORIOS



Installation

DWD-30 DYNASTY GAVETA CALENTADORA	
	E F
JWD-30	28 1/4 (71.75 cm) 9 3/4 (24.75 cm)
Note: Minimum depth 21 (53 cm)	

DBQ	DYNASTY ASADORE EMPOTRADOS							
	SITIO QUE NO ES COMBUSTIBLE				SITIO COMBUSTIBLE			
MODELS	A	B	C	D	A=B	C	D	
JBQ30	30-1/8 (76.5 cm)	29 (73.6 cm)	24-1/2 (62 cm)	11-1/4 (28.5 cm)	29-7/8 (75.8 cm)	25-1/8 (64 cm)	12-1/4 (31 cm)	
JBQ42	42-1/8 (107 cm)	41 (104 cm)	24-1/2 (62 cm)	11-1/4 (28.5 cm)	41-7/8 (106 cm)	25-1/8 (64 cm)	12-1/4 (31 cm)	
JBQ55	55-1/8 (140 cm)	55-1/8 (140 cm)	25-1/8 (64 cm)	11-1/4 (28.5 cm)	54-7/8 (139 cm)	25-1/8 (64 cm)	12-1/4 (31 cm)	

DADA	DYNASTY PUERTAS DE ACCESO		
		E	F
JADA - 18	16 1/4 (41.25 cm)	19 3/8 (49 cm)	
JADA - 30	28 1/4 (71.75 cm)	19 3/8 (49 cm)	
JADA - 42	40 1/4 (102.25 cm)	19 3/8 (49 cm)	

DSBA	DYNASTY QUEMADORES ABIERTOS			
	A=B	C	D	
JSBA-1	12 (30.5 cm)	24 1/2 (62 cm)	11 1/4 (28.5 cm)	
JSBA-2	12 (30.5 cm)	24 1/2 (62 cm)	11 1/4 (28.5 cm)	

DSDA	DYNASTY GAVETAS DE ALMACENAJE			
		E	F	
JSDA-2	12 1/8 (30.75 cm)	19 (48.25 cm)		
JSDA-3	12 1/8 (30.75 cm)	19 (48.25 cm)		
Note: Minimum depth 21 (53 cm)				

DBTA	DYNASTY BAR DE ENTRETENIMIENTO			
	A=B	C	D	
JBTA - 13	12 (30 cm)	24 1/2 (62 cm)	11 1/4 (28.5 cm)	
JBTA - 18	17 1/8 (43 cm)	24 1/4 (62 cm)	9 3/4 (25 cm)	
JBTA - 30	29 1/8 (74 cm)	24 1/4 (62 cm)	9 3/4 (25 cm)	

NOTA: Vea la pagina anterior para localizar el lugar de las dimensiones



instalación

INSTALACIÓN DEL ASADOR DYNASTY

(continuación)

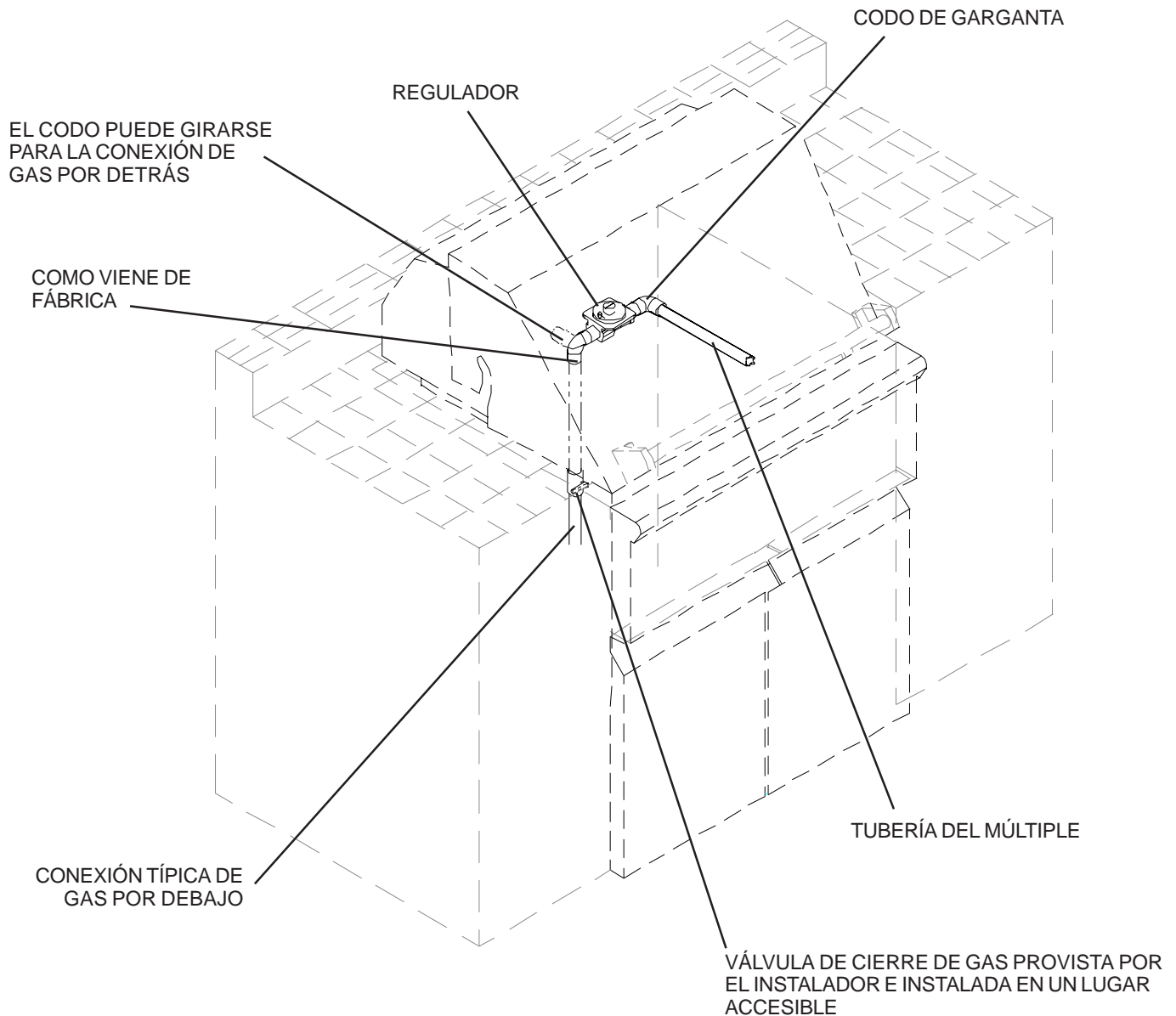
Requisitos de gas

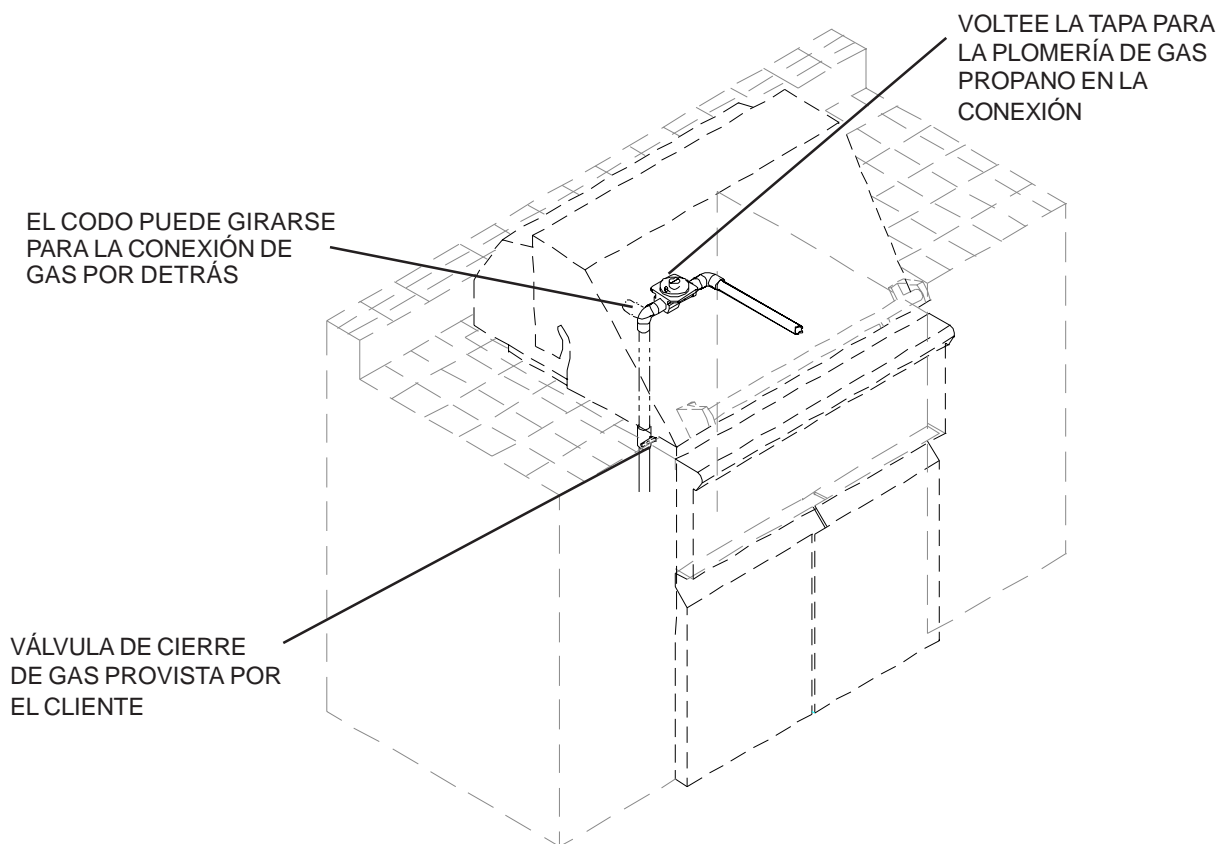
El asador de Dynasty está diseñado para funcionar con gas natural o propano. Revise la placa de clasificación para asegurarse de que el gas suministrado es el tipo de gas indicado en esta placa de clasificación (vea la página 83).

Debe instalarse una válvula de cierre de gas provista por el instalador en un lugar accesible. Solamente use sellador para tuberías que sea del tipo aprobado y resistente a la acción del gas propano.

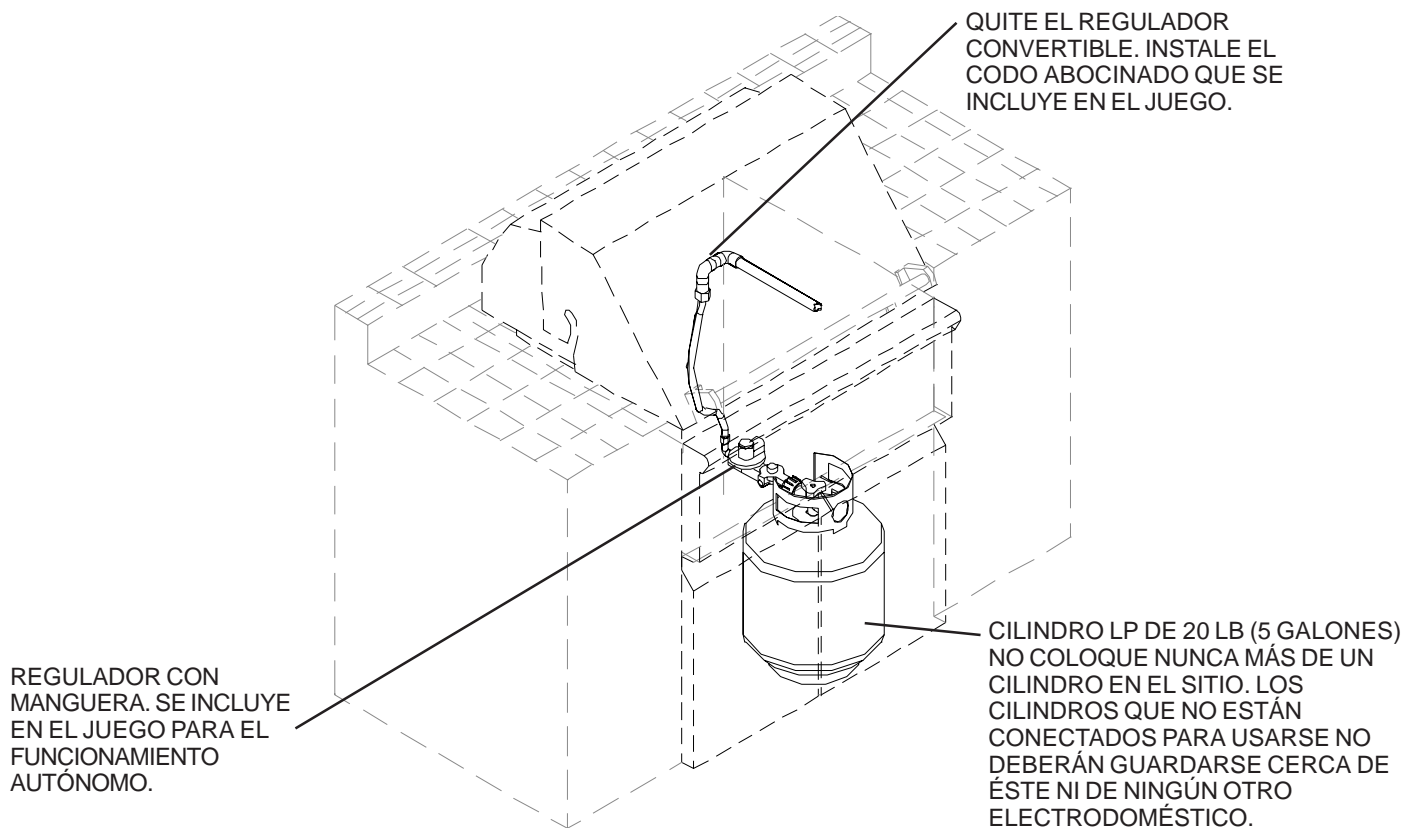
IMPORTANTE: El asador Dynasty tiene que usar el tipo de gas especificado a menos de que haya sido convertido por un instalador autorizado usando solamente partes aprobadas

IMPORTANTE: Todas las conexiones de gas tienen que ser construidas de acuerdo con códigos aplicables. (vea página 82)





• Conexión típica de gas propano



• Conexión típica de gas propano autonomo



NOTA: El sitio del cilindro de gas propano debe ventilarse con orificios abiertos al nivel de la válvula del cilindro y del piso. La eficacia de los orificios para la ventilación deberá determinarse con el cilindro de gas propano colocado en su lugar. Esto debe realizarse siguiendo una de las siguientes indicaciones:

- a. Un lado del sitio debe estar completamente abierto; o bien,
- b. Para un sitio que tenga cuatro lados, una parte superior y otra inferior:
 1. Deben proveerse por lo menos dos orificios de ventilación al nivel de la válvula del cilindro en la pared lateral, del mismo tamaño, separados a 180 grados (3.14 rad) y sin obstrucciones. Cada orificio deberá tener un área libre total de no menos de 1/2 pulgada cuadrada por libra (7.1 cm²/kg) de capacidad de combustible almacenado y no menos de un área libre total de 10 pulgadas cuadradas (64.5 cm²).
 2. Los orificios de ventilación deberán proporcionarse a nivel de piso y tener un área libre total por lo menos de 1/2 pulgada cuadrada por libra (7.1 cm/kg) de capacidad de combustible almacenado y un área libre total de por lo menos 10 pulgadas cuadradas (64.5 cm²). Si los orificios de ventilación al nivel del piso están en una pared lateral, deberá haber cuando menos dos orificios. La parte inferior de los orificios deberá estar al nivel del piso y el borde superior a no más de 5 pulgadas (127 mm) de altura desde el piso. Los orificios deben ser del mismo tamaño, espaciados a 180 grados (3.14 rad) y sin obstrucciones.
 3. Cada orificio deberá tener dimensiones mínimas de manera que permitan la introducción de una varilla de 1/8 pulgada (3.2 mm) de diámetro.

- **Presión del múltiple de gas**

Para el gas natural, los orificios estándar están ajustados para 4" WC (columna de agua). Se proporciona un regulador convertible ajustado a gas natural. Para el gas propano, los orificios estándar están ajustados para 10" WC (columna de agua). Para uso independiente, se proporciona un regulador de gas propano con un aditamento de manguera para el cilindro de gas propano. Para instalaciones de gas propano mediante un sistema permanente de tuberías, use el regulador convertible y ajústelo para gas propano.

- **Presión del suministro de gas**

La presión máxima de la tubería (antes del regulador) para el gas natural y para el sistema permanente de tuberías de gas propano es de 14" WC, 1/2 psig (3.5 kPa.). La presión mínima de la tubería para el gas natural es de 7" WC. La presión mínima de la tubería para el gas propano es de 11" WC.

- **Regulador de presión de gas**

La unidad debe usarse con el regulador de presión de gas proporcionado. El regulador controlará y mantendrá uniforme la presión del gas en el múltiple. Los orificios de los quemadores se han ajustado para la presión del gas que surta el regulador.

- **Especificaciones del cilindro**

Todo cilindro de suministro de gas propano que se use con este asador debe tener un diámetro de aproximadamente 12 pulgadas (30.5 cm) y 18 pulgadas (46 cm) de altura. La máxima capacidad de combustible es de 20 libras (9 kg) o 5 galones (18.92 l) de gas propano. El peso del cilindro lleno debe ser aproximadamente 40 libras. Siempre coloque el protector contra el polvo en la salida de la válvula del cilindro al transportarlo cuando no esté conectado al asador.

- **Transporte del cilindro de gas propano**

Sólo debe transportarse un cilindro a la vez. Transpórtelo de forma segura colocándolo en posición vertical con la válvula de control cerrada y el protector contra polvo en su lugar.

INSTALACIÓN DEL ASADOR DYNASTY

(continuación)



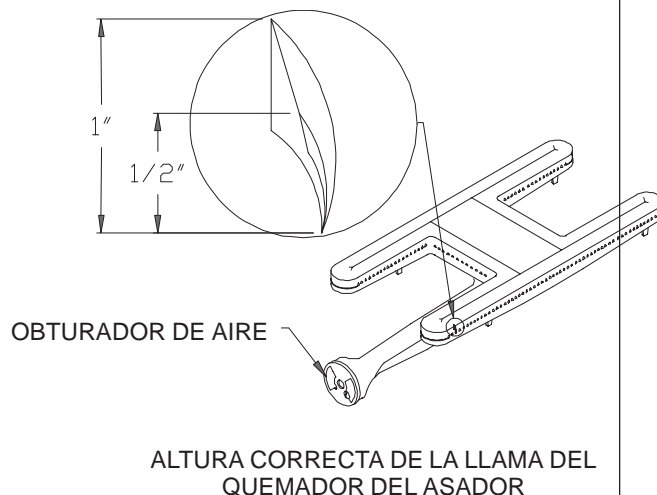
instalación

Ajustes y eficiencia

Antes del embarque cada quemador se prueba y ajusta en la fábrica. Debido a variaciones en la ubicación, las condiciones del suministro de gas o cuando se convierte de un gas a otro, podría ser necesario tener que volver a ajustar los quemadores.

Las llamas de los quemadores (excepto los quemadores del rostizador) deben inspeccionarse visualmente y compararse con las de la figura que aparece a la derecha.

Las llamas deben ser azules y estables sin puntas amarillas, ruido ni elevación excesivos. Si se presenta alguna de estas condiciones, revise si hay suciedad, residuos, telarañas, etc. que pudieran estar obstruyendo el obturador de aire los puertos del quemador. Continúe con el ajuste del obturador de aire.

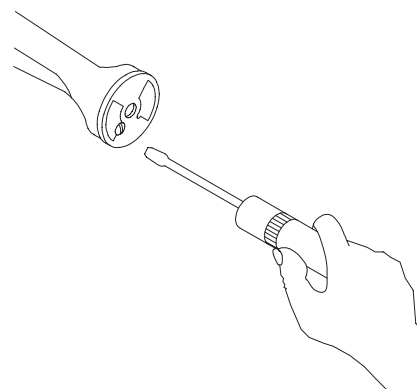


Ajuste del obturador de aire

Un disco de chapa metálica conocido como obturador de aire regula la cantidad de aire que entra al quemador. Está fijado en su lugar con un tornillo de prisionero, el cual debe aflojarse con un destornillador antes de encender el quemador.

1. Para tener acceso a los obturadores de aire del quemador del asador, coloque todas las perillas en la posición apagada y quítelas. Luego quite el panel de las válvulas quitando primero los cuatro tornillos. Tire del panel de las válvulas hacia afuera a la vez que desconecta los cables que están unidos al encendedor rotativo.
2. Con un destornillador, afloje el tornillo de fijación en la parte delantera del obturador de aire.
3. Encienda el quemador. Tenga cuidado al seguir las instrucciones siguientes ya que el quemador podría estar demasiado caliente.
4. Observe las características de la llama. Si la llama es amarilla, lo que indica que no tiene suficiente aire, gire el obturador de aire en sentido contrario al de las manecillas del reloj para permitir que entre más aire al quemador.
5. Si la llama es ruidosa y tiende a alejarse del quemador, lo que indica demasiado aire, gire el obturador de aire en el sentido de las manecillas del reloj.

(continúa en la página siguiente)



Instalación



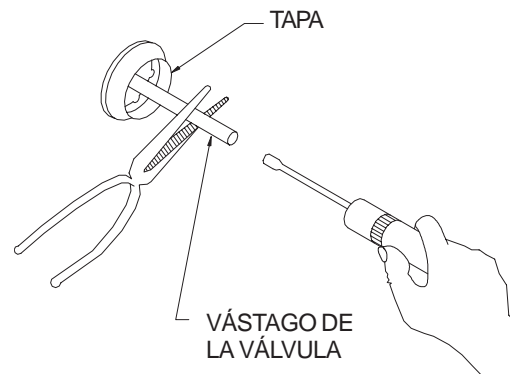
Ajuste del obturador de aire (continuación)

1. Repita el procedimiento en cada quemador que requiera ajuste. Asegúrese de apretar los tornillos prisioneros del obturador de aire cuando termine.
2. Una vez ajustado, APAGUE el quemador e invierta los pasos para volver a ensamblarlo.

Regulación del ajuste bajo de los quemadores del asador y abiertos

Las válvulas del asador Dynasty cuentan con ajuste bajo regulable. Debido a las fluctuaciones en la presión de gas o en el poder calorífico o a la conversión del gas, puede ser necesario aumentar o reducir el flujo del gas en el ajuste bajo.

1. Comience encendiendo el quemador.
2. Gire la perilla de control al ajuste más bajo, completamente en el sentido contrario al de las manecillas del reloj. La flecha se detendrá entre MED (mediano) y LOW (bajo).
3. Quite la perilla.
4. Sostenga el eje de la válvula con unas pinzas e inserte un destornillador delgado de punta plana en el eje. A la vez que observa el quemador, ajuste a una llama mínima estable.
5. **¡ADVERTENCIA!** Trate de lograr que la llama sea estable en el ajuste bajo. Una llama muy pequeña de quemador se puede apagar o extinguirse muy fácilmente. El gas sin quemar puede entonces escapar y crear una situación peligrosa.



NOTA: Es normal escuchar un sonido de estallido cuando los quemadores se APAGAN por primera vez.

INSTALACIÓN DEL ASADOR DYNASTY

(continuación)



Pruebas de fugas

Realice una prueba de fugas por lo menos una vez al año, ya sea que se haya desconectado o no el cilindro del suministro de gas. Además, verifique si hay fugas cada vez que conecte el cilindro en el regulador o desconecte o reemplace alguna pieza del sistema de gas. Esto se aplica al gas natural así como al gas propano. Como medida de seguridad, siempre revise las fugas de su asador para exteriores en un área bien ventilada. Nunca fume ni permita que haya fuentes de ignición en el área en donde se esté realizando la prueba de fugas. No use una llama, como un fósforo encendido para revisar las fugas. Sólo use la solución para detectar fugas que se especifica a continuación.

Procedimiento de pruebas de fugas

1. Prepare una solución para detectar fugas mezclando en un rociador la mitad de jabón líquido y la mitad de agua.
2. Compruebe que las perillas de control estén en posición de apagado (*OFF*).
3. Para abrir gire la perilla de la válvula del cilindro una vuelta en el sentido de las manecillas del reloj.
4. Aplique la solución de detección de fugas rociando las uniones del sistema de suministro de gas.
5. Las burbujas en la solución de jabón indican que hay una fuga.
6. Detenga la fuga apretando la unión que esté floja o reemplazando la pieza defectuosa con una pieza de repuesto que recomiende el fabricante. No trate de reparar la válvula del cilindro si está dañada. Debe reemplazarse el cilindro.

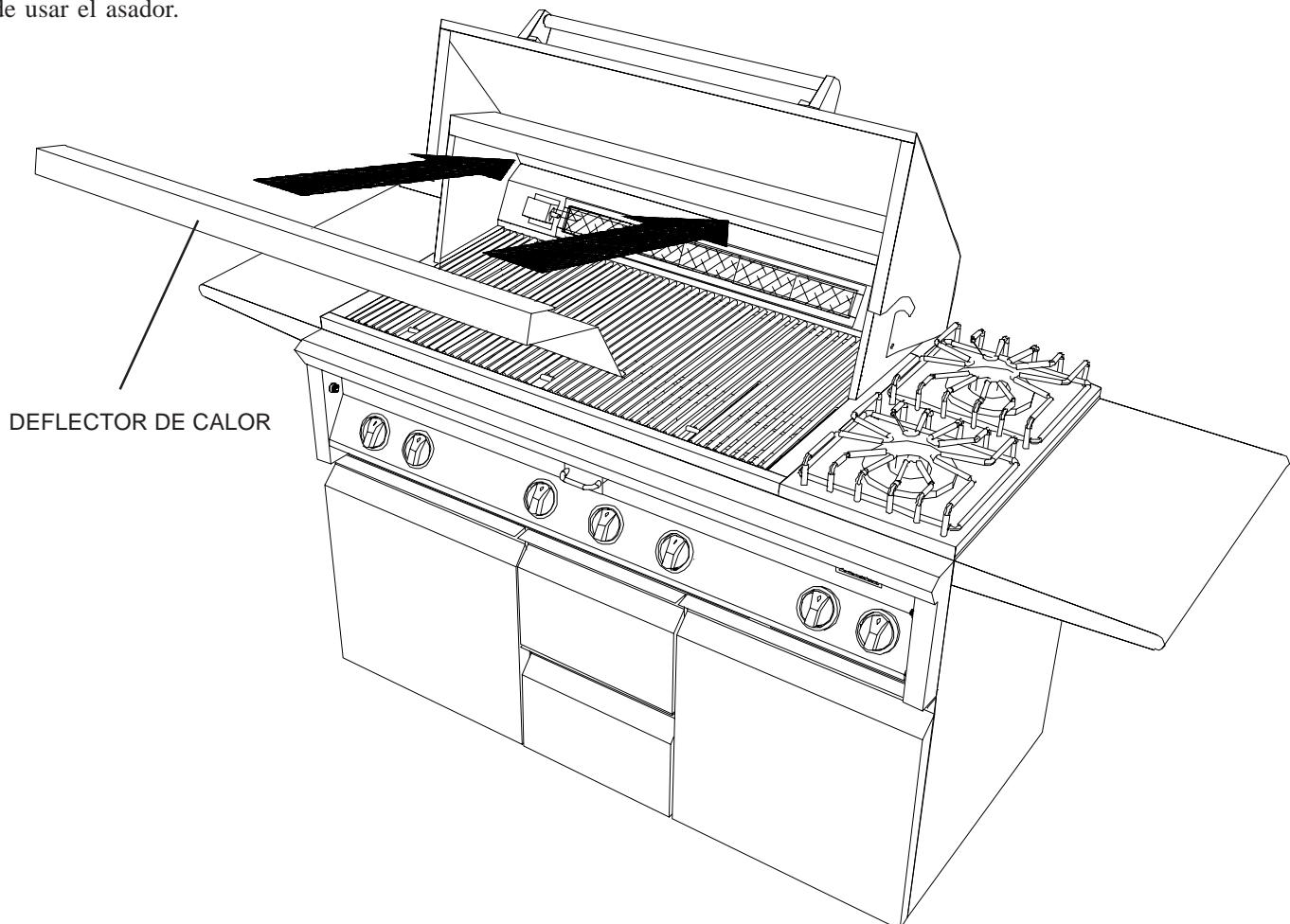
(continúa en la página siguiente)

Procedimiento de pruebas de fugas (continuación)

7. Si no le es posible detener la fuga, cierre el suministro de gas en la válvula del cilindro. Quite el cilindro del asador. Llame a un técnico autorizado de servicio de electrodomésticos de gas o al distribuidor de gas LP. No use el electrodoméstico hasta que se repare la fuga.
8. Oprima y gire cualquiera de las perillas de control para liberar la presión en la manguera y el múltiple.
9. Apague la perilla de control.

Instalación del deflector de calor

El deflector de calor debe estar completamente insertado en su lugar, según se muestra, antes de usar el asador.



Instalación de las puertas de acceso de los modelos DADA-18, DADA-30 y DADA-42

1. Provea el corte y el quicio de la puerta con las dimensiones interiores que se indican:
19 3/8" X 16 1/4" para el modelo DADA-18, 19 3/8" X 28 1/4" para el modelo DADA-30, y 19 3/8" X 40 1/4" para el modelo DADA-42
2. Verifique el ajuste del bastidor contra el hueco. Marque la ubicación de las tuercas de remache.
3. Asegure el bastidor de acero con 16 tornillos de tipo #10 X 3/4 phillips con cabeza de refuerzo S/S.
4. Sujete las puertas al bastidor. (Vea la figura 2)
5. Ajuste las puertas como se indica a continuación:
 - a) Para los ajustes de altura, afloje los dos tornillos que están sujetos en cada placa de montaje. (Vea la figura A)
 - b) Quite a presión la bisagra y asegure la placa de montaje con tornillos planos #6 X 1 S/S. (Vea la figura B)
 - c) Para ajustar los lados gire el tornillo para aumentar o reducir el recubrimiento de la puerta. (Vea la figura C)
 - d) Para ajustar la profundidad, afloje el tornillo, ajuste la puerta a la posición deseada y apriete de nuevo el tornillo. (Vea la figura D)

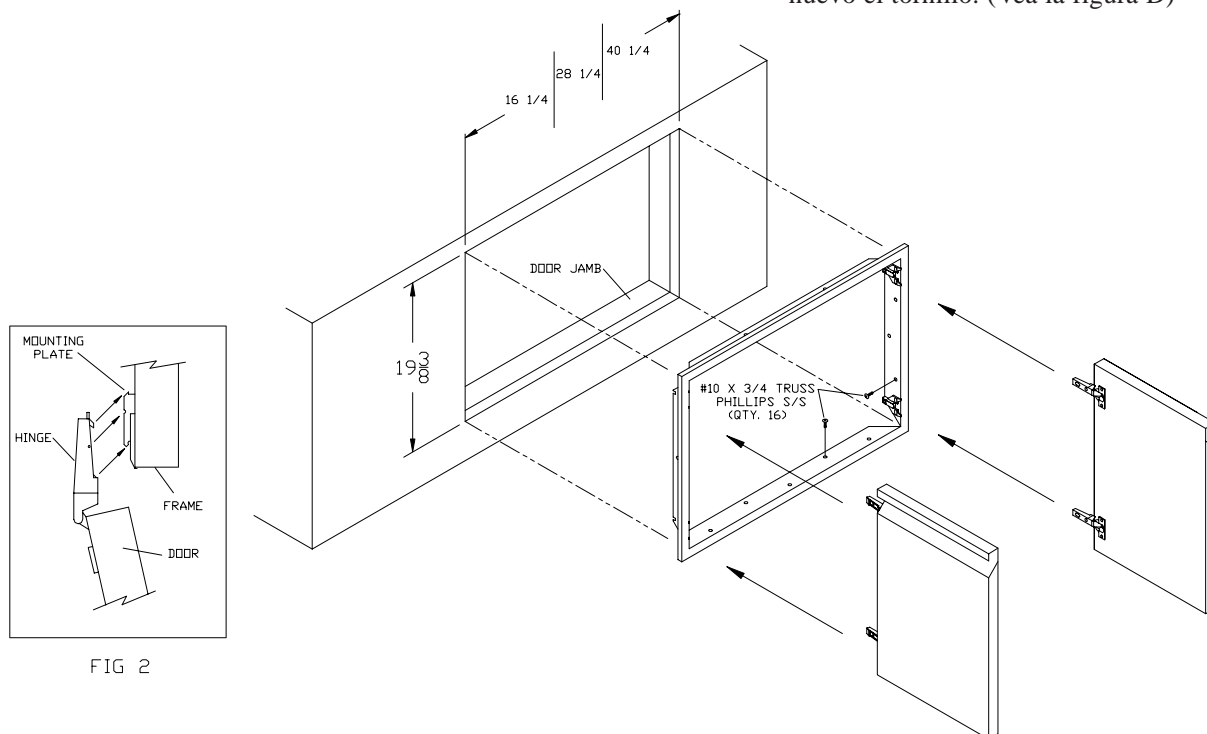


FIG 2

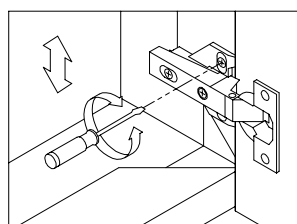


FIGURA A
AJUSTE DE ALTURA

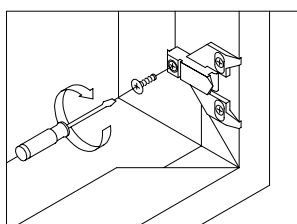


FIGURA B
ASEGURE LA
PLACA DE MONTAJE

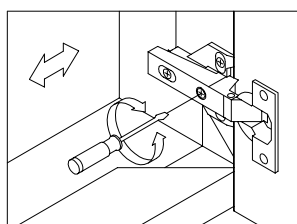


FIGURA C
AJUSTE LATERAL

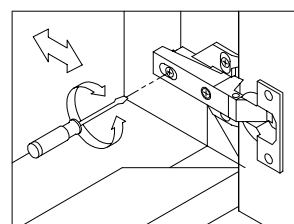
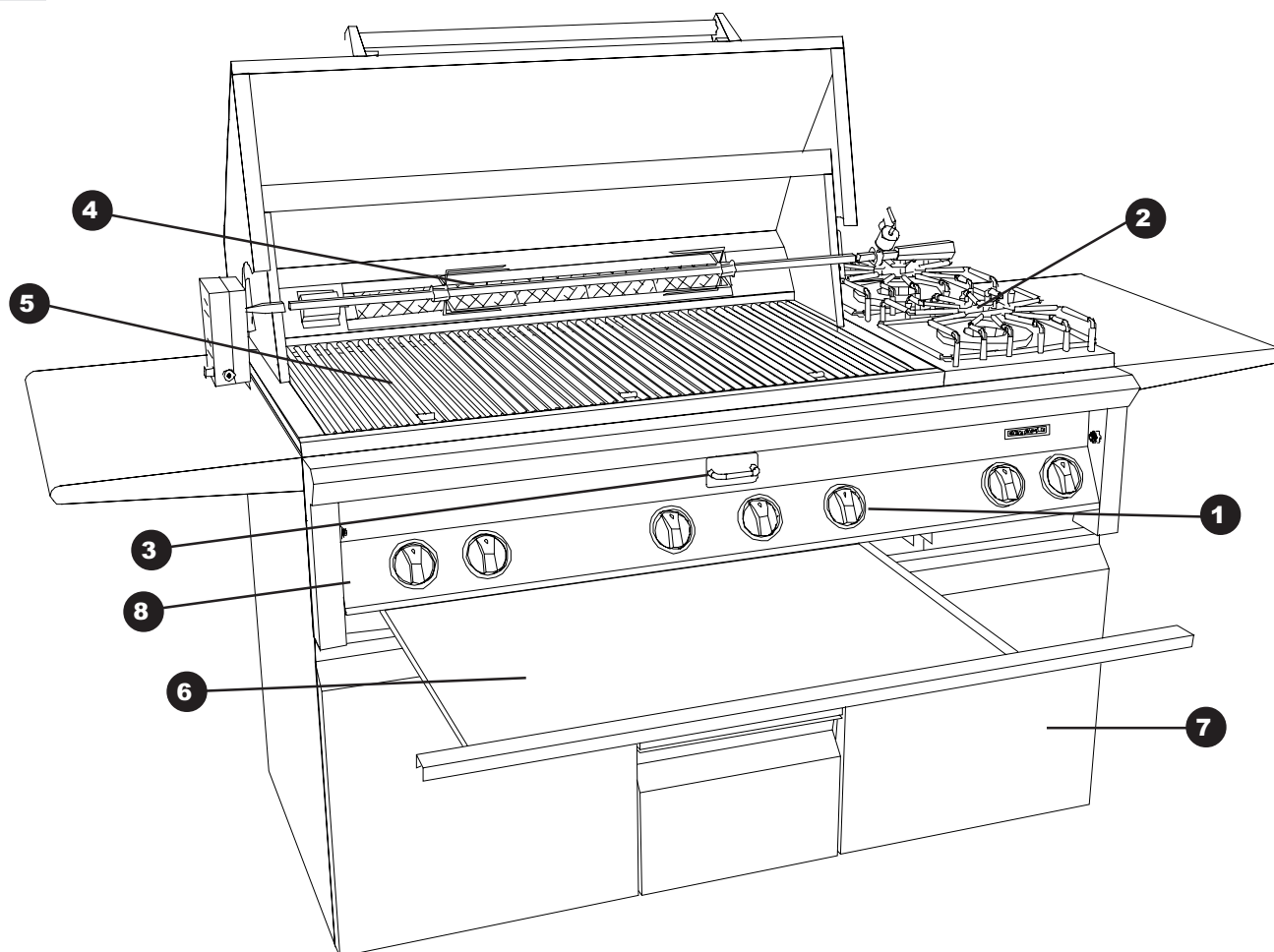


FIGURA D
AJUSTE DE
PROFUNDIDAD

CARACTERÍSTICAS DEL ASADOR



Índice de las características		Vea la página
1	Asador Operación Limpieza y Mantenimiento	98-100 112-115
2	Quemadores superiores Operación Altura de la llama	104-105 105
3	Cajón ahumador Operación	101
4	Rostizador Operación	102-103
5	Parrillas del asador Limpieza	112
6	Bandeja recoge gotas Limpieza	113
7	Superficies exteriores Limpieza	113
8	Encendedor de la batería Mantenimiento	115
9	¿Preguntas? Guía sencilla de diagnóstico de averías	116-117

ADVERTENCIA CONTRA LAS ARAÑAS Y OTROS INSECTOS...



Las arañas y otros insectos pueden hacer nidos en el asador y obstruir el flujo de aire a los puertos de los quemadores. Esto crea una condición peligrosa que puede causar un incendio por detrás del panel de las válvulas. Inspeccione y limpie periódicamente los quemadores; además, las inspecciones y limpiezas son absolutamente necesarias si existe alguna de las siguientes situaciones:

- a) Detecta olor a gas además de una llama amarilla.
- b) El asador no se calienta completamente.
- c) El asador se calienta en forma dispareja.

En caso de que se presente alguna de las situaciones anteriores, apague inmediatamente el asador, inspeccione y limpie los quemadores como se indica en las páginas 114-115 de este manual.

ANTES DE USAR EL ASADOR...

Antes de abrir la llave del gas, inspeccione la tubería o la manguera de suministro de gas. Asegúrese de que sólo se usen la manguera y el regulador adjuntos. Si existen señales de abrasión, cortes o desgaste, o si se nota otro tipo de daños en la manguera, ésta tiene que reemplazarse. Comuníquese con el proveedor local de Dynasty para obtener las piezas de repuesto.



Operación

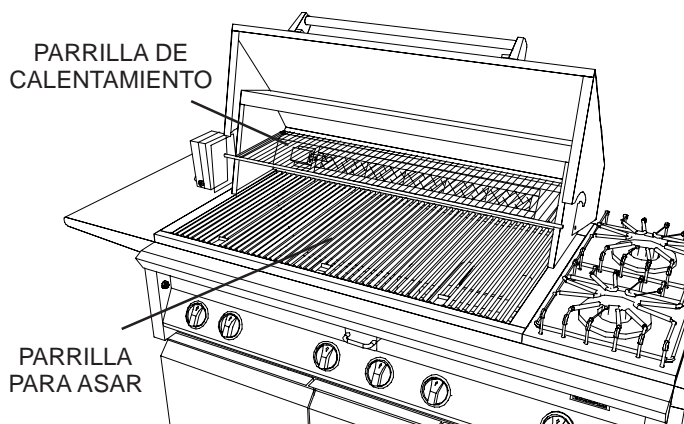
USO DEL ASADOR

El asador Dynasty consiste de un juego de quemadores tipo U, una capa de briquetas de cerámica y una parrilla que retiene calor para cocinar. Cada quemador tiene una potencia nominal de 25 000 BTU (6 300 kcal). Los quemadores del asador, que abarcan toda la superficie de cocción, tienen los puertos en los lados para reducir al mínimo las obstrucciones causadas por el goteo de grasa y los residuos de comida. También están disponibles en algunos modelos los quemadores IR (infrarrojos) que proporcionan un intenso calor

radiante infrarrojo. Este tipo de calor permite el sellado y dorado adecuado así como un cocimiento uniforme en las carnes. La grasa y las partículas de comida se vaporizan al entrar en contacto con el quemador IP lo que proporciona y hace más rico el sabor del alimento que se esté cocinando. Sobre los quemadores están las bandejas de acero inoxidable que sostienen las briquetas de cerámica y protegen a los puertos del quemador contra obstrucciones.

Para asar

Asar a la parrilla requiere de un calor intenso para sellar y dorar de manera correcta los alimentos. La mayoría de los alimentos se cocinan en la posición HI (alta) durante todo el tiempo de preparación. Sin embargo, cuando se asan trozos grandes de carne o ave, se recomienda reducir el calor a una posición más baja después del dorado inicial. De esta manera se cocina el alimento completamente sin quemar la parte externa. Los alimentos que se deben cocinar durante mucho tiempo o que se cubren con un marinado azucarado pueden necesitar un calor más bajo al final del tiempo de cocción. La parrilla de calentamiento se usa para descongelar o mantener calientes los alimentos mientras se asa.



Sugerencias para asar

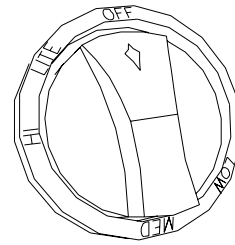
- El término de cocción de la carne, ya sea medio crudo, medio cocido o bien cocido, depende en gran medida del grosor del corte. Los cocineros expertos dicen que es imposible obtener un término medio crudo con un corte delgado de carne.
- El tiempo de cocción también se ve afectado por el tipo de carne, por el tamaño y la forma del corte, la temperatura de la carne cuando comienza la cocción, y el término de cocción que se desee.
- Cuando se descongelen carnes, se recomienda que se deje toda la noche en el refrigerador en lugar de descongelarla en el horno de microondas. Así se obtiene generalmente una carne más jugosa.
- Use una espátula o un tenedor en lugar de pinzas para voltear la carne. Las espátulas no perforan la carne y evitará que se escapen los jugos.
- Para que las carnes sean más jugosas, añada los condimentos o la sal después de que termine de cocerse la carne y voltéela sólo una vez (el jugo se escapa cuando se voltea la carne varias veces). El momento adecuado de voltear la carne es cuando los jugos comienzan a brotar en la superficie.
- Corte el exceso de grasa de la carne antes de cocinarla. Para evitar que los bistecs o las chuletas se enrosquen durante el cocimiento, corte la grasa alrededor de los bordes a cada 2 pulgadas (5 centímetros).
- No deje el asador desatendido mientras cocine.

Para operar el asador

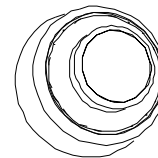
Asegúrese de que los controles de los quemadores estén apagados. No trate de encender los quemadores si detecta olor a gas.

Para las unidades de gas propano, revise la conexión con una solución de jabón y agua después de unir la manguera. Asegúrese de que el tanque tenga gas y que esté colocado verticalmente.

1. Asegúrese de que la bandeja de goteo esté en su lugar.
2. Encienda los quemadores del asador usando las instrucciones que se proporcionan a continuación.
3. Gire la perilla de control a la posición HI (alta) y precaliente el asador durante 15 minutos. La cubierta superior debe estar cerrada durante el período de precalentamiento del electrodoméstico.
4. Coloque los alimentos en el asador y cocínelos hasta el término deseado. Si es necesario, ajuste el calor. La perilla de control puede ajustarse en cualquier posición entre HI (alta) y LOW (baja).
5. Cuando use el quemador principal IR, asegúrese de que esté bien precalentado hasta que esté iluminado en rojo brillante antes de colocar los alimentos en la parrilla de cocción.
6. Con las intensas temperaturas que alcanza el quemador IR, se recomienda que la tapa del asador se mantenga en la posición abierta mientras se use.
7. Cuando termine de cocinar en el quemador principal IR (modelos SAIA) y se apague el quemador, asegúrese que no queden alimentos en la parrilla sobre el quemador IR para que no caiga nada en los puertos del quemador ya frío.
8. Para garantizar el buen desempeño del quemador infrarrojo (IR), asegúrese de hacerlo funcionar en alto durante 10 minutos después de quitar los alimentos al final de la cocción, para mantener limpios los puertos del quemador.
9. Deje que el asador se enfríe y limpie la bandeja de goteo después de cada uso.



PERILLA DE CONTROL DEL QUEMADOR



BOTÓN ENCENDEDOR

Para encender los quemadores del asador

1. Abra la tapa.
2. Mantenga la cara lo más alejada posible de los quemadores.
3. Oprima y gire en el sentido de las manecillas del reloj la perilla de control de gas del asador a la posición LITE (encender) o HI (alta).
4. Oprima el botón encendedor; debe escucharse un ruido de varios pequeños estallidos del encendedor indicando que se está produciendo una chispa para el quemador.
5. Espere a escuchar el sonido característico de la salida de gas “gush”. Si el quemador no se enciende en el primer intento, repita inmediatamente.
6. Si el quemador no se enciende en 5 segundos, gire las perillas de control a la posición OFF (apagado). Espere 5 minutos, hasta que el gas se disipe antes de volver a intentar encenderlo.

(continúa en la página siguiente)



Operación

USO DEL ASADOR

(continuación)

Para encender los quemadores del asador (continuación)

7. Repita el procedimiento o pruebe el “Procedimiento de encendido manual” que aparece a continuación.
8. Cuando haya tenido éxito con el encendido, repita el proceso en los demás quemadores que desee encender.
9. Para apagar los quemadores oprima la perilla y gírela a la posición OFF (apagado). Es normal escuchar ruidos de golpecitos cuando se apagan los quemadores.

Para encender manualmente los quemadores del asador

1. Abra la tapa.
2. Quite las parrillas que están encima de los quemadores que desee encender.
3. Si ha tratado de encender el quemador con la perilla rotativa de encendido, deje que transcurran 5 minutos para que se disipe el gas.
4. Mantenga la cara lo más alejada posible de los quemadores.
5. Pase un fósforo largo encendido a través de uno de los pequeños orificios de la bandeja de las briquetas y colóquelo cerca de los puertos del quemador.
6. Oprima y gire en sentido contrario al de las manecillas del reloj la perilla de control de gas del asador a la posición LITE (ENCENDER) (encender).
7. Espere a escuchar el sonido característico de la salida de gas “gush”. Si el quemador no se enciende en 5 segundos, gire las perillas de control a la posición OFF (apagado). Espere 5 minutos, hasta que el gas se disipe antes de volver a intentar encenderlo.
8. Si el quemador no se enciende después de varios intentos, vea la Guía de diagnóstico de averías en las páginas 116-117.
9. Cuando haya tenido éxito con el encendido, repita el proceso en los otros quemadores que desee encender.

USO DEL CAJÓN AHUMADOR



El cajón de ahumado consiste de un cajón deslizable de acero inoxidable colocado cerca del frente. El quemador de ahumado en la unidad se ha diseñado para usarse con facilidad.

Después de decidir qué tipo de pedazos de madera usar (vea la tabla a continuación), remójelos bien en agua, luego colóquelos en el cajón. Encienda el quemador de ahumado girando la perilla de control de gas a la posición LITE (encender) o HIGH (alta); oprima el botón del encendedor. Coloque la perilla de control de gas en la posición HIGH (alta) durante 5 a 10 minutos para iniciar el ahumado. Baje la llama a la posición deseada, después coloque la carne en el asador. El ahumador diseñado especialmente ahumará la madera a la vez que el asador cocina los alimentos. Mantener la tapa del asador cerrada tanto como sea posible realzará al máximo el efecto de ahumado.

Si los pedazos de madera se incendian, añada una pequeña cantidad de agua para que se extinga. Esto debe hacerse con cuidado sacando un poco el cajón. Tenga cuidado cuando añada el agua al cajón caliente para evitar las quemaduras con vapor, y nunca saque completamente el cajón.

El cajón también puede llenarse con agua para producir vapor. Ya sea que lo use como ahumador o vaporizador, la tapa debe permanecer cerrada tanto como sea posible para maximizar el efecto.

Durante períodos prolongados de rostizado, es normal añadir varias veces pedazos de madera al cajón.

Tipo de madera	Características y uso
Aliso	Sabor medio ácido a ahumado. Fabuloso para salmón y otros tipos de pescado, pollo o animales de caza.
Arce	Sabor dulce y profundo a ahumado. Es la mejor para pescados, carne seca o tocino.
Manzano	Un sabor suave y dulce. Excelente para aves, jamones o salchichas.
Nogal americano	Sabor ahumado fuerte. Es mejor para res, cerdo o animales de caza.
Mesquite	Un sabor suavemente ahumado. Es la mejor para pescados, aves o res.
Roble	Sabor ahumado fuerte. Es mejor para carne de res, cordero o cerdo.
Nogal pacanero (árbol de nuez)	Un sabor profundo, dulce y versátil. Puede usarse para todo.
Parra	Un fuerte sabor a ahumado. Es mejor para la carne de res y las aves.



Operación

USO DEL ROSTIZADOR

El quemador del rostizador es de tipo infrarrojo, lo que provee un calor intenso radiante seco. Este método preferido por los cocineros profesionales a todos los

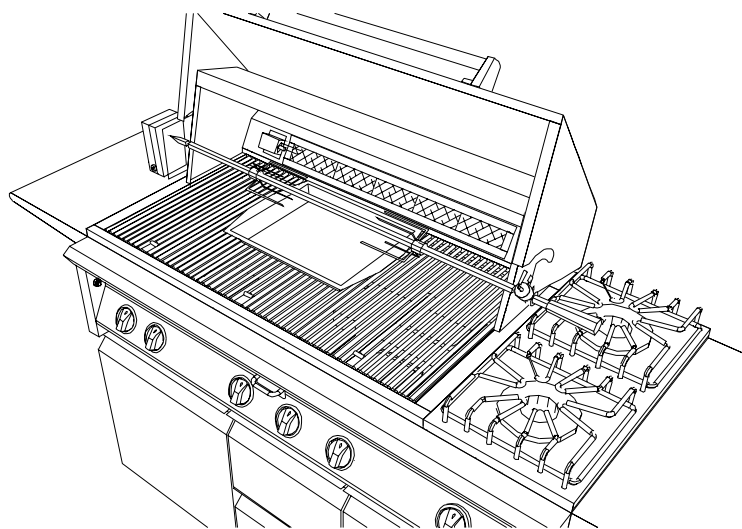
demás métodos, es un calor intenso que es ideal para sellar los jugos naturales y los nutrientes que se encuentran en las carnes de buena calidad.

Para cocinar con el rostizador

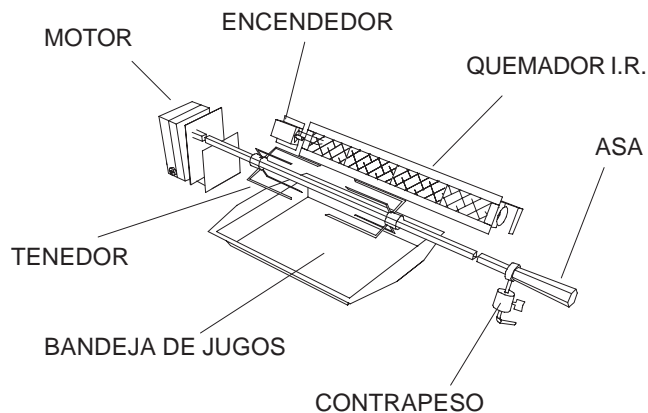
El sistema del rostizador está diseñado para cocinar los artículos desde parte posterior usando calor infrarrojo. La ubicación del quemador permite la colocación de una bandeja para bañar lo que se rostiza (incluida) debajo de los alimentos para recoger los jugos y la grasa para bañar la carne y preparar la salsa. Para sazonar el contenido de la bandeja de jugos, añada hierbas, cebolla, ajo o especias. Los jamones quedan especialmente deliciosos cuando se les añade rebanadas de piña y azúcar morena a la bandeja de jugos.

Para operar el rostizador

1. Para cargar la varilla del rostizador, sostenga el asa con firmeza a la vez que desliza uno de los ensambles del tenedor (las pinzas orientadas al lado contrario del asa) dentro de la varilla. Cuidadosamente empuje la varilla a través del centro del alimento, después deslice el otro sujetador (con las pinzas hacia el alimento) dentro de la varilla. Coloque de forma centrada la carne en la varilla y empuje el ensamble del tenedor con firmeza. Apriete los tornillos de mano. Para asegurar cualquier porción floja de la carne, use cuerda de carnicero (nunca use hilo de nilón ni plástico). Coloque la bandeja de los jugos debajo de la comida para recoger los jugos y la grasa.
2. Para usar el rostizador, primero monte el motor en el lado izquierdo del asador. Colóquelo con firmeza sobre el soporte.
3. La varilla del sistema de rostizado se ensambla dentro del motor colocando el extremo puntiagudo dentro del motor y descansando el extremo roscado en el soporte al lado del asador. Una vez que la varilla se empuja tan adentro del motor como sea posible, el extremo ranurado de la varilla va a descansar en el soporte del lado derecho.
4. Si es necesario, para compensar las cargas disperejas, deslice el contrapeso en la varilla. Con el contrapeso suelto, deje que la varilla cargada gire y se detenga. Ahora gire el contrapeso sobre la varilla en una posición vertical y apriete el tornillo de mano. Usted puede deslizar el contrapeso para acercarlo o alejarlo de la varilla de rostizar según sea necesario para mantener una operación uniforme.
5. Encienda los quemadores del rostizador siguiendo las instrucciones de la página 103. Una vez encendido, el quemador del rostizador alcanzará la temperatura en más o menos un minuto. El brillo anaranjado-rojizo se emparejará en aproximadamente 5 minutos.



AJUSTE DEL ROSTIZADOR



Para encender el quemador infrarrojo o del rostizador

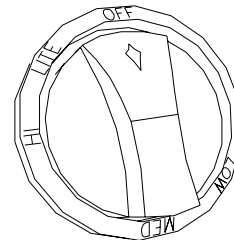
1. Abra la tapa.
2. Oprima y gire en sentido contrario al de las manecillas del reloj la perilla de control de gas del quemador IR (infrarrojo) a la posición HI (alta). Éste es el ajuste de la perilla más hacia la izquierda. En las unidades con dos quemadores IR, la perilla de control del quemador IR derecho es la última perilla hacia la derecha.
3. Oprima el botón encendedor; debe escucharse un ruido de varios pequeños estallidos del encendedor indicando que se está produciendo una chispa para el quemador.
4. Si el quemador no se enciende en el primer intento, repita inmediatamente.
5. Si el quemador no se enciende en 5 segundos, gire la perilla de control a la posición OFF (apagado). Espere 5 minutos, hasta que el gas se disipe antes de volver a intentar encenderlo.
6. Repita el procedimiento o pruebe el “Procedimiento de encendido manual” según se muestra a continuación.
7. Cuando haya tenido éxito con el encendido, repita el proceso en los demás quemadores IR que desee encender.

Espere 5 minutos antes de volver a encender el quemador del rostizador CALIENTE.

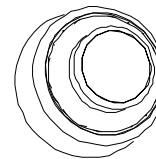
Para encender manualmente el quemador infrarrojo o del rostizador

1. Abra la tapa.
2. Oprima y gire en sentido contrario al de las manecillas del reloj la perilla de control de gas del quemador IR (infrarrojo) a la posición HI (alta).
3. Sostenga un fósforo largo encendido junto a los puertos del quemador.
4. Si el quemador no se enciende en 5 segundos, gire la perilla de control a la posición OFF (apagado). Espere 5 minutos, hasta que el gas se disipe antes de volver a intentar encenderlo.
5. Si el quemador no se enciende después de varios intentos, vea la guía de diagnóstico de averías en la página 117.
6. Cuando haya tenido éxito con el encendido, repita el proceso en los demás quemadores IR que desee encender.

Espere 5 minutos antes de volver a encender el rostizador CALIENTE.



PERILLA DE CONTROL DEL QUEMADOR



BOTÓN ENCEDEDOR



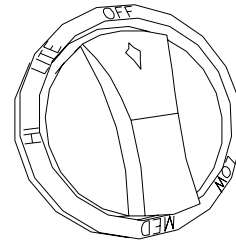
Operación

PARA USAR LOS QUEMADORES SUPERIORES

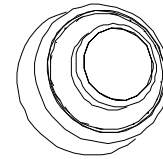
Algunos asadores Dynasty tiene quemadores superiores opcionales equipados con botones de encendido.

Para encender los quemadores abiertos (Opcionales)

1. Quite la cubierta del quemador, si es que la tiene, o los utensilios de cocina que estén encima de la parrilla del quemador. **Precaución: La cubierta del quemador podría estar caliente si se estuvieron usando los quemadores del asador.**
2. Oprima y gire en sentido contrario al de las manecillas del reloj la perilla de control de gas del quemador a la posición LITE (encender).
3. Oprima el botón encendedor; debe escucharse un ruido de varios pequeños estallidos del encendedor indicando que se está produciendo una chispa para el quemador.
4. Si el quemador no se enciende en el primer intento, repita inmediatamente.
5. Si el quemador no se enciende después de 5 segundos, gire las perillas de control a la posición OFF (apagar). Espere 5 minutos, hasta que el gas se disipe antes de volver a intentar encenderlo.
6. Repita el procedimiento o pruebe el "Procedimiento manual de encendido" que aparece a continuación.
7. Cuando haya tenido éxito con el encendido, repita el proceso en los demás quemadores que desee encender.



PERILLA DE CONTROL DEL QUEMADOR



BOTÓN ENCEDEDOR

Para encender manualmente los quemadores abiertos

1. Quite la cubierta del quemador, si es que la tiene, o los utensilios de cocina que estén encima de la parrilla del quemador. **Precaución: La cubierta del quemador podría estar caliente si se estuvieron usando los quemadores del asador.**
2. Oprima y gire en sentido contrario al de las manecillas del reloj la perilla de control de gas del quemador a la posición **LITE (ENCENDER)**.
3. Sostenga un fósforo largo encendido junto a los puertos del quemador.

(continúa en la página siguiente)

Para encender manualmente los quemadores abiertos (continuación)

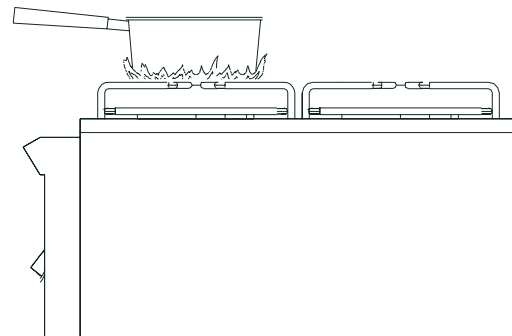
4. Si el quemador no se enciende después de 5 segundos, gire las perillas de control a la posición OFF (apagar). Espere 5 minutos, hasta que el gas se disipe antes de volver a intentar encenderlo.
5. Si el quemador no se enciende después de varios intentos, vea la guía de diagnóstico de averías en las páginas 116-117.
6. Cuando haya tenido éxito con el encendido, repita el proceso en los demás quemadores que desee encender.

Altura de la llama

La altura correcta de la llama depende del tamaño y material del utensilio que se use, el alimento que se cocine y la cantidad de líquido contenida en el utensilio.

He aquí algunas reglas básicas para seleccionar la altura de la llama.

- La llama nunca debe extenderse más allá del fondo de la cacerola.
- Los utensilios, que conducen el calor lentamente (como la cerámica vítrea) deben usarse con llama baja o media a menos que esté cocinando con una gran cantidad de líquido.
- Cuando hierva algo, ajuste la llama al tamaño del recipiente hasta que comience a hervir. Después bájele a la llama al mínimo necesario para mantener un hervor lento. Los alimentos se cocinan igual de rápido con hervor lento, que con hervor rápido.





Guía para asar

(Precaliente el asador en la posición HIGH (alta) con la tapa cerrada durante 15 minutos antes de cocinar algo.)

Preparación RES

Técnicas y tiempos de cocción*

Bistec, Rib-eye, Filete, Porterhouse/T-Bone 1 pulgada de grueso

Úntelo con una cantidad abundante de especias o sal y pimienta.

Ase en la posición HIGH (alta), sin cubrir, durante 5 a 7 minutos por cada lado. Selle durante 2 minutos, gire 90°, cocine de 3 a 5 minutos adicionales, y gire. Repita en el otro lado. Deje que repose de 2 a 3 minutos antes de servirlo. Para bistecs gruesos (2 pulgadas (5 cm) aumente el tiempo de cocción de 2 a 3 minutos por cada lado.

Filete tenderloin roast (2 libras [90 gr])

Úntelo con aceite, y una cantidad abundante de especias o sal y pimienta. Coloque la carne en donde el quemador está apagado, cerca del centro del asador. Cúbrala. Sáquela del asador y deje que repose de 8 a 10 minutos.

Selle todos los lados durante 3 minutos cada uno en la posición HIGH (alta). Continúe cocinando usando calor indirecto (apague un quemador y reduzca el calor a la posición MEDIUM/HIGH (MEDIA/ALTA) la posición MEDIUM/HIGH (MEDIA/ALTA) en el segundo quemador), cubra, durante 30 a 35 minutos o hasta que llegue al término deseado.

Prime Rib Roast o Rib-eye Roast

(Vea la sección del rostizador.)

Skirt y Flank Steak

Marine el bistec por lo menos durante 30 minutos antes de asarlo. Es mejor cocinar los bistecs de skirt y flank a término medio-medio crudo. Si se cocina más tiempo, la carne se secará y endurecerá.

Ase en la posición HIGH (alta), sin cubrir, durante 3 a 4 minutos por cada lado. Retire del asador, cubra con papel aluminio y deje que repose de 6 a 8 minutos. Rebane finamente contra el grano y sirva.

Hamburguesas

(Vea la sección de carne molida.)

CERDO

Chuletas de 1 a 1 1/2 (2.5 a 4 cm) pulgadas de grueso

Úntelo con una cantidad abundante de especias o sal y pimienta.

Selle en la posición HIGH (alta) durante 2 minutos por cada lado. Reduzca el calor a la posición MEDIUM/HIGH (MEDIA/ALTA), continúe cocinando, sin cubrir, durante 7 a 9 minutos por cada lado.

Trozo de cerdo (1 libra [1/2 Kg])

Unte ligeramente con aceite, y luego con especias o hierbas. O bien, marínela durante varias horas. Drénela bien antes de asarla.

Selle todos los lados durante 2 a 3 minutos por cada lado en la posición HIGH (alta). Reduzca el calor a la posición MEDIUM (media) y continúe cocinando, sin cubrir, durante 12 a 18 minutos, volteo según sea necesario o hasta que el termómetro de carne muestre 150°.

Pork Loin Rib Roast de cerdo (3-4 libras)

Úntelo con una cantidad abundante de especias o sal y pimienta.

Ase usando calor indirecto, después de precalentarlo apague un quemador y coloque otro en la posición MEDIUM/HIGH (MEDIA/ALTA). Coloque la carne en el asador, con la grasa hacia arriba, en donde el quemador esté en la posición OFF (apagado). Cubra. Ase durante 75 a 80 minutos o hasta que el termómetro de carne muestre 150°.

***Los tiempos de cocción son directrices y se basan en un término MEDIO o en la temperatura especificada. Los tiempos de cocción podrían variar debido a la temperatura inicial, al corte o al contenido de grasa del alimento limpia.**



Costillas de cerdo precocidas

Úntelas con una cantidad abundante de especias y áselas en el horno a 300° por 2 horas. Colóquelas en el asador precalentado.

Áselas en la posición **MEDIUM (media)**, sin cubrir, durante 20 a 25 minutos hasta que estén selladas y doradas, voltéelas según sea necesario. Báñelas con salsa tipo BBQ durante los últimos 10 a 15 minutos de cocción.

Costillas de cerdo crudas

(Vea la sección del rostizador.)

Salchichas

(Vea la sección de carne molida.)

CORDERO

Chuletas de lomo de 1 pulgada (2.5 cm) de grueso

Úntelas ligeramente con aceite, y luego con especias o sal y pimienta.

Ase en alto la posición **MEDIUM/HIGH (MEDIA/ALTA)**, sin cubrir, durante 5 a 7 minutos por cada lado.

Pierna de cordero

(Vea la sección del rostizador.)

AVES

Pollo entero (3 a 4 libras [1.5 a 2 Kg])

(Vea la sección del rostizador.)

Pollo cortado y abierto o mitades (3 a 4 libras [1.5 a 2 Kg])

Unte ligeramente con aceite, y luego con especias o con ellíquido de marinar durante 2 horas o más; cuélelo bien.

Áselo usando calor indirecto- después de precalentar el asador apague un quemador y ajuste el otro en la posición **MEDIUM/HIGH (MEDIA/ALTA)**. Colóquelo en el asador, con la piel hacia arriba, en donde el quemador esté apagado. Cubra. Ase de 60 a 65 minutos o hasta que el termómetro muestre 180°.

Piezas de pollo

Unte con especias o marínelo durante varias horas; cuélelo bien.

Selle en la posición **HIGH (alta)**, sin cubrir, durante 4 minutos por lado. Reduzca el calor a la posición **MEDIUM/LOW (MEDIA/BAJA)**. Continúe cocinando durante 20 minutos, cubra, voltéelo una vez.

Pechugas de pollo sin piel ni huesos (6 a 8 onzas)

Marine por lo menos de 1 a 12 horas; cuele bien.

Selle en la posición **HIGH (alta)** durante 2 minutos por lado. Reduzca el calor a la posición **MEDIUM/HIGH (MEDIA/ALTA)**, continúe cocinando, sin cubrir, durante 5 a 7 minutos por cada lado.



PESCADO (Para evitar que el pescado se pegue al asador: asegúrese de que el asador esté limpio, las parrillas del asador estén muy calientes y que el pescado esté ligeramente untado con aceite. Después de colocar el pescado en el asador, déjelo en esa posición por lo menos durante un par de minutos sin moverlo.)

Filetes de pescado (1/2 a 3/4 de pulgada [1.27 a 1.9 cm] de grueso)

Úntelo ligeramente con aceite y condimentos. **Ase en la posición MEDIUM (media), sin cubrir, durante 5 a 7 minutos por cada lado.**

Bistecs de pescado (1 a 1 1/2 [2.5 a 4 cm] pulgadas de grueso)

Úntelos ligeramente con aceite y condimentos. **Ase en la posición MEDIUM/HIGH (MEDIA/ALTA), sin cubrir, durante 6 a 8 minutos por cada lado.**

Camarones

Marínelos por lo menos 30 minutos, escúrralos bien. Inserte los camarones pequeños en una aguja; los grandes pueden asarse directamente en el asador. **Ase en la posición MEDIUM/HIGH (MEDIA/ALTA), sin cubrir, durante 2 a 4 minutos por cada lado.**

CARNES MOLIDAS

Res, cordero, cerdo – 3/4 pulgada (1.9 cm) de grueso

Condimente bien con sal y pimienta. Voltee sólo una vez. **Ase en la posición HIGH (alta) o, si el contenido de gasa es alto, en la posición MEDIUM/HIGH (MEDIA/ALTA), sin cubrir, de 5 a 7 minutos por cada lado.**

Salchichas frescas polacas o italianas Bratwurst

Sancóchelas durante 8 a 10 minutos. **Ase en la posición MEDIUM/HIGH (MEDIA/ALTA), sin cubrir, durante 8 a 10 minutos. Volteándolas con frecuencia.**

VEGETALES (Asegúrese de que las parrillas del asador estén limpias).

Ase lo siguiente en la posición MEDIUM/HIGH (MEDIA/ALTA), sin cubrir, úntelas usando una brocha con aceite de oliva o vegetal antes de asarlos. Sazónelos al gusto

Espárragos	5-7 minutos, voltee cada 1-2 minutos hasta que esté levemente dorado
Cuartos de pimiento morrón	10-15 minutos, voltee varias veces
Rebanadas de berenjena	4-6 minutos por cada lado hasta que estén dorados
Champiñones Portabella	3-5 minutos por cada lado hasta que estén dorados
Rebanadas de cebolla	6-8 minutos por cada lado hasta que esté suave y levemente quemado
Calabaza amarilla partida a lo largo	4-5 minutos por cada lado hasta que estén levemente quemados
Mitades de tomates Plum o Roma	5-7 minutos con la cáscara hacia abajo, no los voltee

Elotes

Quítele las hojas exteriores de la mazorca dejando una hoja o dos como protección. Quítele los pelos. **Ase en la posición HIGH (alta), sin cubrir, durante 10-12 minutos volteándolos cada dos minutos hasta que las hojas estén quemadas y los granos de maíz estén ligeramente dorados.**



FRUTAS - Manzanas, piña, duraznos, ciruelas (Asegúrese de que las parrillas del asador estén limpias).

Úntelas con mantequilla derretida antes de asarlas.

Ase en la posición **MEDIUM** (media), sin cubrir, volteándolas con frecuencia hasta que estén levemente doradas y suaves.

ARTÍCULOS ESPECIALES

Pizza (6 a 8 pulgadas [15 a 20 cm], corteza delgada)

Asegúrese de que las parrillas estén limpias. Unte ligeramente un lado de la corteza cruda con aceite de oliva

Ase en la posición **MEDIUM/HIGH** (MEDIA/ALTA), sin cubrir. Coloque el lado engrasado de la corteza directamente en las parrillas.

Quesadillas

Asegúrese de que las parrillas estén limpias. Recubran ligeramente un lado de la tortilla de harina con aceite. Colóquela en una bandeja de hornear con el lado engrasado hacia abajo. Añada los ingredientes complementarios de su gusto. Coloque otra tortilla encima, oprímalas para juntarlas y unte un poco de aceite encima.

Ase en la posición **MEDIUM** (media), sin cubrir. Coloque las tortillas rellenas directamente en las parrillas. Cocine de 2 a 3 minutos por cada lado hasta que estén doradas, gírelas 90° después de un minuto para asegurar un dorado uniforme.

Guía para rostizar

*Técnicas y tiempos de cocción**

Preparación

Pollo entero (3 a 4 libras [1.5 a 2 Kg], amarrado)

Marine o unte con aceite y condimentos. Meta las alas por debajo y amarre las patas juntas. Amarre otro cordón alrededor del ave por las alas. Colóquelo en la varilla y acomódela en el asador. Coloque la bandeja de jugos directamente debajo del pollo.

Rostice en la posición **HIGH** (alta), cubierto, durante 75 a 80 minutos o hasta que el termómetro muestre 180°.

Carne de res tipo Prime Rib Roast/Rib-eye (3-4 libras [1.5 a 5 Kg], amarrada)

Úntela con una cantidad abundante especias o sal y pimienta. Colóquela en la varilla y acomódela en el asador. Coloque la bandeja de jugos directamente debajo de la carne.

Rostice en la posición **HIGH** (alta), cubierto, durante los primeros 15 minutos. Reduzca el calor a la posición **MEDIUM/HIGH** (MEDIA/ALTA) y continúe cocinando tapado durante 50 a 60 minutos o hasta que llegue al término deseado. Sáquela del asador y deje que repose durante 10 a 15 minutos.

***Los tiempos de cocción son directrices y se basan en un término MEDIO o en la temperatura especificada. Los tiempos de cocción podrían variar debido a la temperatura inicial, al corte o al contenido de grasa del alimento limpia.**



Operación

Lomo de cerdo para asar sin huesos (2 a 3 libras [1 a 1.5 Kg], amarrado)

Úntelo con una cantidad abundante especias o hierbas o sal y pimienta. Colóquelo en la varilla y acomódela en el asador. Coloque la bandeja de jugos directamente debajo de la carne.

Rostice en la posición HIGH (alta), cubierto, durante 50 a 60 minutos o hasta que el termómetro muestre 150°.

Costillas de cerdo, crudas (3 a 4 libras [1.5 a 2 Kg])

Úntelas con una cantidad abundante de especias durante varias horas antes de cocinarlas. Ensarte el costillar en estilo acordeón en la varilla del asador. Sujételas firmemente en su lugar con unas pinzas. Coloque la varilla en el asador. Vierta cantidades iguales de jugo de manzana y agua o consomé de res en la bandeja de los jugos y colóquela debajo de las costillas.

Rostice en la posición HIGH (alta), cubiertas, durante los primeros 30 minutos. Reduzca el calor a LOW (baja) y continúe cocinando durante 90 minutos, cubiertas. Báñelas con la mezcla del jugo de manzana cada 20 a 30 minutos. Durante los últimos 15 minutos del cocimiento úntelas con salsa tipo BBQ si lo desea.

Costillas de cerdo tipo Baby Back (2 a 3 libras [1.25 a 1.5 Kg] en 2 parrillas)

Igual que el anterior

Rostice en la posición HIGH (alta), cubiertas, durante los primeros 30 minutos. Reduzca el calor a LOW (baja) y continúe cocinando durante 50 a 60 minutos, cubiertas. Báñelas con la mezcla de jugo de manzana dos veces durante el cocimiento. Durante los últimos 15 minutos del cocimiento úntelas con salsa tipo BBQ si lo desea.

Pierna de cordero sin huesos (3 ½ a 4 ½ libras [1 ¾ a 2 ½ Kg] enrollada y amarrada)

Marine o condimente con aceite de oliva, ajo, hierbas, sal y pimienta al gusto. Colóquela en la varilla y acomódela en el asador. Coloque la bandeja de jugos debajo de la carne.

Rostice en la posición HIGH (alta), cubierto, durante 80 a 90 minutos o hasta que el termómetro muestre 145-150 °. Deje que repose 10 a 15 minutos.

Pechuga de pavo (4 1/2 a 5 libras [2 1/4 a 2.5 Kg] con hueso)

Bañe, marine o unte con una cantidad abundante de aceite y condimentos antes de cocinarla. Colóquela en la varilla. Use el contrapeso para balancear la carga. Vierta agua o una mezcla de jugo de manzana y agua, varias cucharadas de salsa de soya y salvia en la bandeja de jugos. Coloque la bandeja debajo de la pechuga de pavo. Añada agua según sea necesario a la bandeja durante la cocción.

Rostice en la posición HIGH (alta), cubierta, durante 80 a 90 minutos. Bañe con la mezcla de jugo de manzana, si lo desea. Reduzca el calor a la posición MEDIUM (media) y continúe cocinando durante 20 a 30 minutos más o hasta que el termómetro muestre 170°. Deje que repose por 10 a 15 minutos.



Pavo entero (12 a 14 libras [6 a 7 Kg])

Bañe, si lo desea. Unte con aceite de oliva. Meta las alas por debajo. Amarre las patas juntas. Amarre otro cordón alrededor del ave por las alas. Colóquelo en la varilla. Use el contrapeso para balancear la carga. Vierta agua o una mezcla de agua y hierbas en la bandeja de jugos. Coloque la bandeja debajo de la pechuga de pavo. Añada agua según sea necesario a la bandeja durante la cocción.

Rostice en la posición HIGH (alta), cubierta, durante 2 1/2 horas o hasta que el termómetro muestra 180°. Bañe con mantequilla dos veces durante la cocción, si se desea. Deje reposar la carne de 10 a 15 minutos antes de partirla .

Pavo entero (16 a 18 libras [8 a 9 Kg])

(El tamaño máximo cuando use el rostizador es de 18 a 18 1/2 libras [9 a 9 1/4 Kg]. Saque las parrillas del asador para que quepa el tamaño del pavo.) Bañe el pavo, si lo desea. Úntelo con aceite de oliva. Amárrelo en la sección de las alas, en la parte más grande de las patas y amarre las patas juntas por los extremos. Colóquelo en la varilla. Use el contrapeso para balancear la carga. Vierta agua o una mezcla de agua y hierbas en la bandeja de jugos. Coloque la bandeja de jugos directamente en las briquetas debajo del pavo. Añada agua según sea necesario a la bandeja durante la cocción.

Rostice en la posición HIGH (alta), cubiertas, durante una hora. Cambie a la posición MEDIUM (media) y continúe cocinando por 1 1/2 a 2 horas o hasta que el termómetro muestre 180°. Bañe con mantequilla dos veces durante la cocción, si lo desea. Deje reposar la carne de 10 a 15 minutos antes de partirla.



limpieza

LIMPIEZA Y MANTENIMIENTO

Igual que con cualquier pieza de equipo de alta calidad, el Asador Dynasty debe mantenerse limpio y dársele el mantenimiento adecuado para aumentar al máximo el rendimiento y la duración.

Limpie las piezas internas del asador con regularidad según la frecuencia de uso y la cantidad de alimentos que se

preparan. Limpie el asador completo una vez al año.

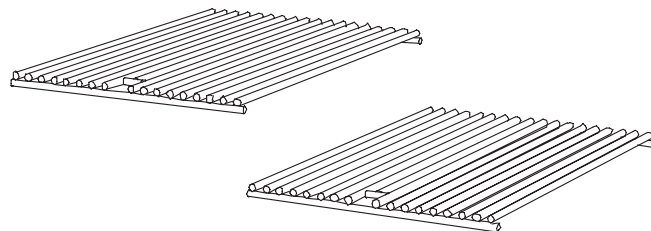
Para asegurar un mantenimiento seguro y adecuado, recomendamos que seguir cuidadosamente las siguientes instrucciones.

IMPORTANTE: DESCONECTE EL SUMINISTRO ELÉCTRICO ANTES DE LIMPIAR CUALQUIER PIEZA DEL ASADOR

Limpieza de las parrillas del asador

La manera más fácil de limpiar las parrillas del asador es tallarlas inmediatamente después de haber terminado de cocinar y de haber apagado la llama. Use un guante para asador para protegerse la mano contra el calor y el vapor. Sumerja un cepillo de cerdas de bronce, especial para asadores, en agua de la llave y talle la parrilla caliente. Sumerja el cepillo varias veces en el agua. El vapor, que se genera cuando el agua entra en contacto con el asador caliente, ayuda en el proceso de limpieza ya que ablanda las partículas de comida. Las partículas de comida caerán en la bandeja de las briquetas y se quemarán o caerán en la bandeja de goteo. Si el asador se enfría antes de limpiarlo, será más difícil eliminar esos residuos de comida .

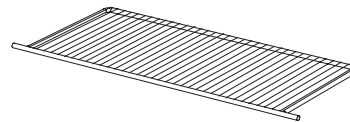
Si lo desea, cuando las parrillas se enfríen completamente, quítelas del asador para limpiarlas a fondo. Use jabón y agua para esta limpieza. Pueden acumularse residuos de grasa en la superficie de acero inoxidable y endurecerse en la parrilla dando la apariencia de corrosión. Para eliminarla use una almohadilla abrasiva (como Scotch Brite) junto con un producto de limpieza para acero inoxidable. Esto solamente necesita hacerse en casos extremos, o antes de guardar el asador por un largo período.



PARRILLAS DEL ASADOR

Limpieza de la parrilla de calentamiento

La parrilla de calentamiento puede limpiarse usando el mismo procedimiento que el de las parrillas del asador anterior.



PARRILLA DE CALENTAMIENTO

Limpieza del quemador infrarrojo

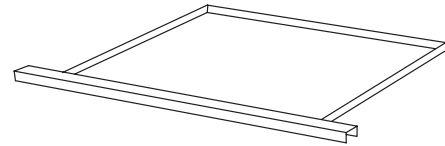
Para garantizar el buen funcionamiento del quemador infrarrojo, asegúrese de hacerlo funcionar durante 10 minutos después de quitar los alimentos al final de la cocción, para mantener limpios los puertos del quemador.



Limpieza de las bandejas de goteo

La bandeja de goteo que abarca todo el fondo del asador, acumulará la grasa de las parrillas. Debe vaciarse y limpiarse después de cada uso. Espere a que la bandeja y su contenido se enfríen antes de proceder con la limpieza. Deslice la bandeja hacia afuera y límpiela.

Si se limpia la grasa de la bandeja después de cada uso, se evitará la posibilidad de un incendio de grasa. Asegúrese de que la bandeja de goteo esté totalmente insertada en su guía antes de usar el asador.

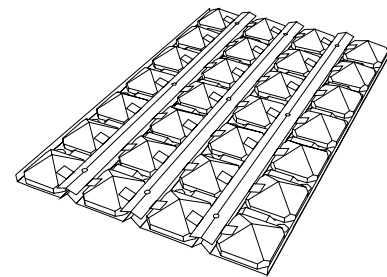


BANDEJA DE GOTEO

Limpieza de las briquetas de cerámica y bandejas de calor radiante

No es necesario retirar las briquetas de las bandejas de calor radiante para limpiarlas. Se limpian por sí solas quemándose durante la siguiente vez que las use o si lo desea las puede limpiar encendiendo el asador y dejándolas que se quemen en la posición HI (alta) durante 30 minutos.

Las bandejas de las briquetas deben quitarse periódicamente para eliminar los residuos que puedan tener. La frecuencia de uso del asador y la cantidad y tipo de alimentos que cocine determinarán cuándo es necesario limpiar las bandejas de las briquetas. ***Nunca trate de manipular la bandeja de las briquetas cuando esté caliente.***



BRIQUETAS Y BANDEJA

Limpieza del acero inoxidable exterior

El asador Dynasty está hecho completamente de acero inoxidable #304 soldado. Éste es un acero inoxidable anticorrosivo y antimagnético.

Existe una variedad de productos de limpieza para acero inoxidable. Siempre use primero el producto más suave, talle en la dirección del grano; use productos más ásperos solamente cuando sea necesario.

Para reparar raspaduras visibles en el acero inoxidable, lije muy ligeramente con papel de lija seco, grano 100 en la dirección del grano.

Los residuos de grasa pueden acumularse y endurecerse en la superficie del acero inoxidable y dar la apariencia de corrosión. Para quitarlos use una almohadilla abrasiva (como Scotch Brite) junto con un producto de limpieza para acero inoxidable.

Nunca use almohadillas de fibra de acero para limpiar el asador y nunca limpie el acero inoxidable cuando esté caliente. Tenga cuidado especialmente cuando limpie las guarniciones pulidas del asador y talle solamente cuando sea absolutamente necesario.

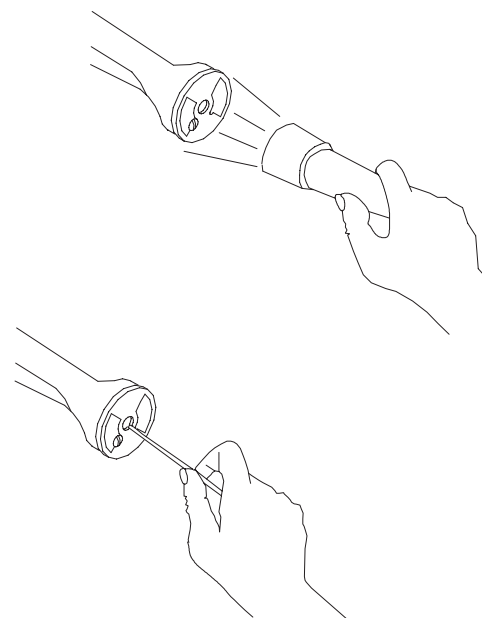


Limpieza de los quemadores del asador

Los quemadores del asador deben limpiarse a fondo antes de usar el asador después de períodos prolongados de almacenaje y mensualmente durante el uso normal.

1. Asegúrese de que el suministro de gas esté cerrado y que las perillas estén la posición OFF (apagado).
Asegúrese de que el asador esté frío.
2. Quite las parrillas del asador y las bandejas de las briquetas junto con las briquetas.
3. Deslice hacia afuera y quite el cajón de ahumado.
4. Sostenga el quemador y levántelo un poco hacia arriba y hacia la parte posterior de la unidad. Incline el quemador hacia un lado despejando cuidadosamente el orificio y la abertura de la parte delantera. Quite el quemador.
5. Repita los pasos anteriores con cada uno de los quemadores de la unidad.
6. Limpie el exterior del quemador con un cepillo de cerdas de bronce. Despeje los puertos obstruidos con un clip enderezado. Extraiga los residuos que pudieran haber a través del obturador de aire.
7. Usando una linterna, según se muestra, verifique que no haya obstrucciones en el interior del quemador. Si las hubiera, quítelas con un gancho de colgar ropa enderezado según se muestra. Otra vez saque los residuos a través del obturador de aire.
8. Antes de volver a colocar los quemadores, revise si se ha acumulado grasa, carbón o comida en el fondo del asador. Limpie el fondo según se indica a continuación.
9. Coloque de nuevo el quemador deslizando el obturador de aire sobre el orificio y centrando el quemador en el hueco del orificio. Si está centrado correctamente, las patas posteriores del quemador encajarán en los orificios cuadrados de montaje del riel de soporte del quemador.
Es extremadamente importante centrar correctamente el quemador en el orificio. Tenga cuidado de no alterar la posición del obturador de aire. Baje el quemador en el riel de soporte asegurándose que esté bien nivelado y no se balancee.
10. Coloque de nuevo la bandeja de las briquetas con las briquetas, una vez más, asegurándose de que la bandeja esté bien nivelada y estable.
11. Coloque de nuevo las parrillas del asador.
12. Encienda todos los quemadores y revise las características de las llamas según se describe en la sección Ajustes y eficiencia de la página 92.

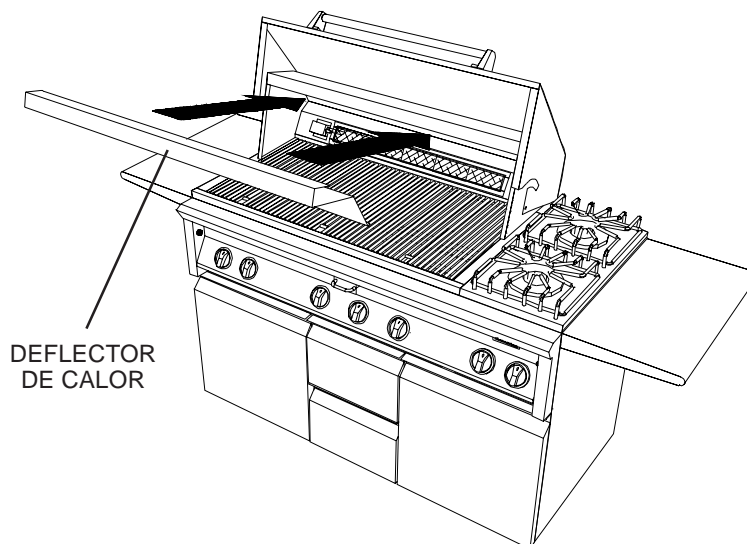
ADVERTENCIA: Nunca rocíe productos de limpieza en aerosol sobre ni alrededor del asador caliente; el propulsor de aerosol o el producto de limpieza puede encenderse o explotar y causar lesiones graves.



Limpieza del deflector de calor

El deflector de calor acumulará grasa y residuos de alimento. Debe quitarse y limpiarse después de cada uso.

Cuando quite el deflector de calor, tenga cuidado de no astillar la superficie de cerámica. Lávelo con un producto de limpieza suave o un desgrasador, enjuáguelo y séquelo. Asegúrese de que el deflector de calor esté totalmente insertado en su lugar antes de usar el asador.

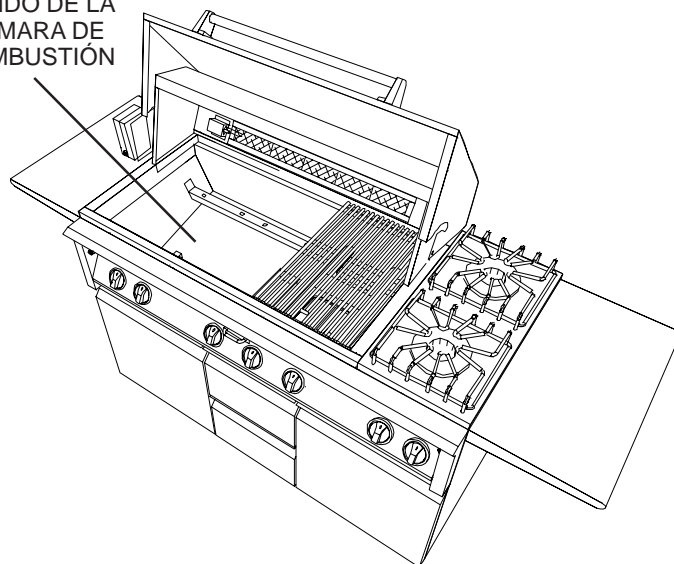


Limpieza del fondo de la cámara de combustión

Antes de volver a colocar los quemadores del asador en el paso 9 de Limpieza de los quemadores del asador, revise si hay acumulación de carbón y comida quemada en el fondo de la cámara de combustión. Si es así, use una espátula o un cepillo y empuje todo el carbón hacia el adelante y dentro de la bandeja de goteo para juntarlo y desecharlo.

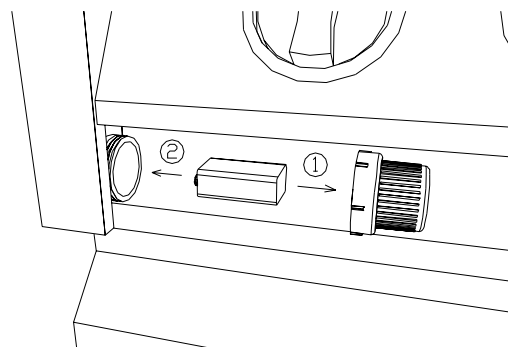
El reemplazo de la batería del encendedor por una completamente cargada garantiza el buen funcionamiento del encendedor de chispa. Coloque una batería de 9V en la cubierta como se muestra en 1 después, atornille la cubierta con la batería en el encendedor 2.

FONDO DE LA CÁMARA DE COMBUSTIÓN



Reemplazo de la batería del encendedor

El reemplazo de la batería del encendedor por una con completamente cargada garantiza el buen funcionamiento del diseño del encendedor de chispa. Coloque una batería de 9V en la cubierta como se muestra en la figura A, después atornille la cubierta con la batería en el encendedor como aparece en la figura A.





¿TIENE PREGUNTAS? USE ESTA SENCILLA GUÍA DE DIAGNÓSTICO DE AVERÍAS

PROBLEMA	QUÉ HACER
EL ASADOR NO SE ENCIENDE CUANDO OPRIMA EL BOTÓN ENCENDEDOR	<ol style="list-style-type: none">1. Quite la parrilla del asador y la bandeja de las briquetas. Observe la punta del encendedor mientras gira la perilla del encendedor. Debe ver saltar una chispa desde la punta del encendedor hacia quemador.2. Si hay una chispa, ¿está surtiéndose gas al quemador y la tubería está purgada de aire? ¿Puede encender el quemador con un fósforo? ¿Encienden los otros quemadores?3. Revise el quemador para ver si está obstruido según se describe en la sección Limpieza de los quemadores del asador de la página 114.4. Si no se produce una chispa, llame para solicitar servicio.5. Revise visualmente el electrodo y el alambre mientras gira la perilla del encendedor. Si se produce una chispa en algún otro lugar que no sea la punta del encendedor, éste debe cambiarse.
LA LLAMA DEL QUEMADOR ES AMARILLA Y SE PERCIBE OLOR A GAS AL MISMO TIEMPO	<ol style="list-style-type: none">1. Revise el quemador para ver si hay obstrucciones según se describe en la sección Limpieza de los quemadores del asador de la página 114.2. Revise el ajuste correcto del obturador de aire según se describe en la sección Ajuste del obturador de aire de la página 92.
BAJA TEMPERATURA CON LA PERILLA EN LA POSICIÓN EN HI (ALTA)	<ol style="list-style-type: none">1. ¿Está doblada o torcida la manguera del combustible?2. ¿Existe suministro de gas adecuado? ¿Alguno de los otros electrodomésticos de gas en el mismo lugar parecen estar más bajos de lo normal?3. ¿Está el problema solamente en uno de los quemadores? Si es así, proceda con la limpieza de los quemadores según se describe en la sección Limpieza de los quemadores del asador en las páginas 114 y 115.4. ¿Está ajustado correctamente el obturador de aire? Vea la página 92 para ver el procedimiento de ajuste.5. ¿Se ha precalentado el asador durante 15 minutos con la tapa cerrada?

PROBLEMA	QUÉ HACER
EL ROSTIZADOR NO ENCIENDE	<ol style="list-style-type: none">1. ¿Se produce chispa en el encendedor? Si no es así, cambie la batería de 9v del encendedor. Revise si el espacio entre los electrodos del encendedor es de 1/8 a 3/16 de pulgada (0,32 a 0,47 cm). ¿Puede encender el quemador con un fósforo?
EL QUEMADOR SE APAGA	<ol style="list-style-type: none">1. Revise si el quemador está quebrado o bloqueado.2. Revise si el suministro de gas es suficiente. Revise si está vacío el cilindro de gas LP.
DEMASIADO CALOR	<ol style="list-style-type: none">1. Orificio dañado o no tiene orificio. Ajuste inapropiado del regulador.
EXPANSIÓN EXCESIVA	<ol style="list-style-type: none">1. Rejillas de cocción sucias. Sobrecarga de carnes grasosas o temperatura de cocción excesiva.

NOTA:

Es normal escuchar un chasquido cuando se apagan los quemadores por primera vez.

NOTAS

SERVICIO AL CLIENTE



Antes de llamar para solicitar servicio...

Muchos de los problemas de operación son sencillos, y pueden corregirse sin la presencia de un técnico. Consulte la Guía de diagnóstico de averías de las páginas 116-117 antes de llamar para solicitar servicio.

Para obtener ayuda adicional relacionada con el uso y el cuidado del asador Dynasty, por favor comuníquese con:

Maytag Services
240 Edwards St. S.E.
Cleveland, TN 37311

1-866-820-9401
1-888-462-9824

Por favor tenga los números de modelo y de serie a la mano cuando se comunique para solicitar servicio (vea la página 83).

GARANTÍA

DEL ASADOR PARA EXTERIORES DYNASTY

GARANTÍA COMPLETA DE UN AÑO – PIEZAS Y MANO DE OBRA

Durante **un (1) año** a partir de la fecha de compra original, se repararán o reemplazarán sin costo alguno las piezas que fallen debido al uso doméstico normal.

GARANTÍA LIMITADA DE DOS AÑOS – PIEZAS SOLAMENTE

Después de transcurrido el primer año a partir de la fecha de compra original, se repararán o reemplazarán sin costo alguno las piezas que fallen debido al uso doméstico normal. Esto se aplica sólo a las piezas, y el propietario debe pagar todos los demás costos, incluyendo la mano de obra, la distancia, el millaje y el transporte.

GARANTÍA DE DIEZ AÑOS

Toda parrilla de cocción de acero inoxidable para trabajo pesado que falle debido al uso doméstico normal durante un período de diez (10) años, se reparará o reemplazará, sin cargo alguno. Esto se aplica sólo a la pieza, y el propietario debe pagar todos los demás costos, incluyendo la mano de obra, el millaje y el transporte.

GARANTÍA LIMITADA VITALICIA

Los quemadores Dynachrome™ que fallen durante el uso doméstico normal se repararán o reemplazarán, sin cargo alguno. Esto se aplica sólo a la pieza, y el propietario debe pagar todos los demás costos, incluyendo la mano de obra, el millaje y el transporte.

El cuerpo de acero inoxidable del asador está garantizado contra el deterioro estructural de por vida durante el uso doméstico normal. Esto corresponde exclusivamente al cuerpo, y excluye todos los demás costos, incluyendo la mano de obra y el envío.

Esta garantía sólo se aplica a los productos fabricados y localizados en Estados Unidos y Canadá. La mano de obra bajo garantía deberá realizarla un representante o una agencia de servicio autorizado de DYNASTY.

La garantía no cubre los daños causados por el maltrato, accidente, desastres naturales, la falta de energía eléctrica (por cualquier razón) al producto, la alteración, la instalación u operación incorrectas, los ajustes y las calibraciones realizadas en el producto sin autorización, ni a los daños causados por el uso de sustancias químicas abrasivas (por ejemplo, los productos de limpieza que se apliquen incorrectamente).

Quien extiende la garantía no es responsable por los daños emergentes ni incidentales. La garantía no se aplica al uso comercial, ni a los productos que tengan los números de serie alterados o borrados.

El propietario será responsable de la instalación correcta, de proveer el cuidado y el mantenimiento normal, de proporcionar la prueba de compra al solicitársela y de facilitar el acceso al electrodoméstico para darle servicio.

La responsabilidad civil de quien extiende la garantía por cualquier reclamación de cualquier tipo, con respecto a los servicios o mercancía cubiertos en el presente documento, no deberá, en ningún caso, exceder el precio de los servicios o mercancía ni parte de ellos que den lugar a la reclamación.

SERVICIO DE GARANTÍA

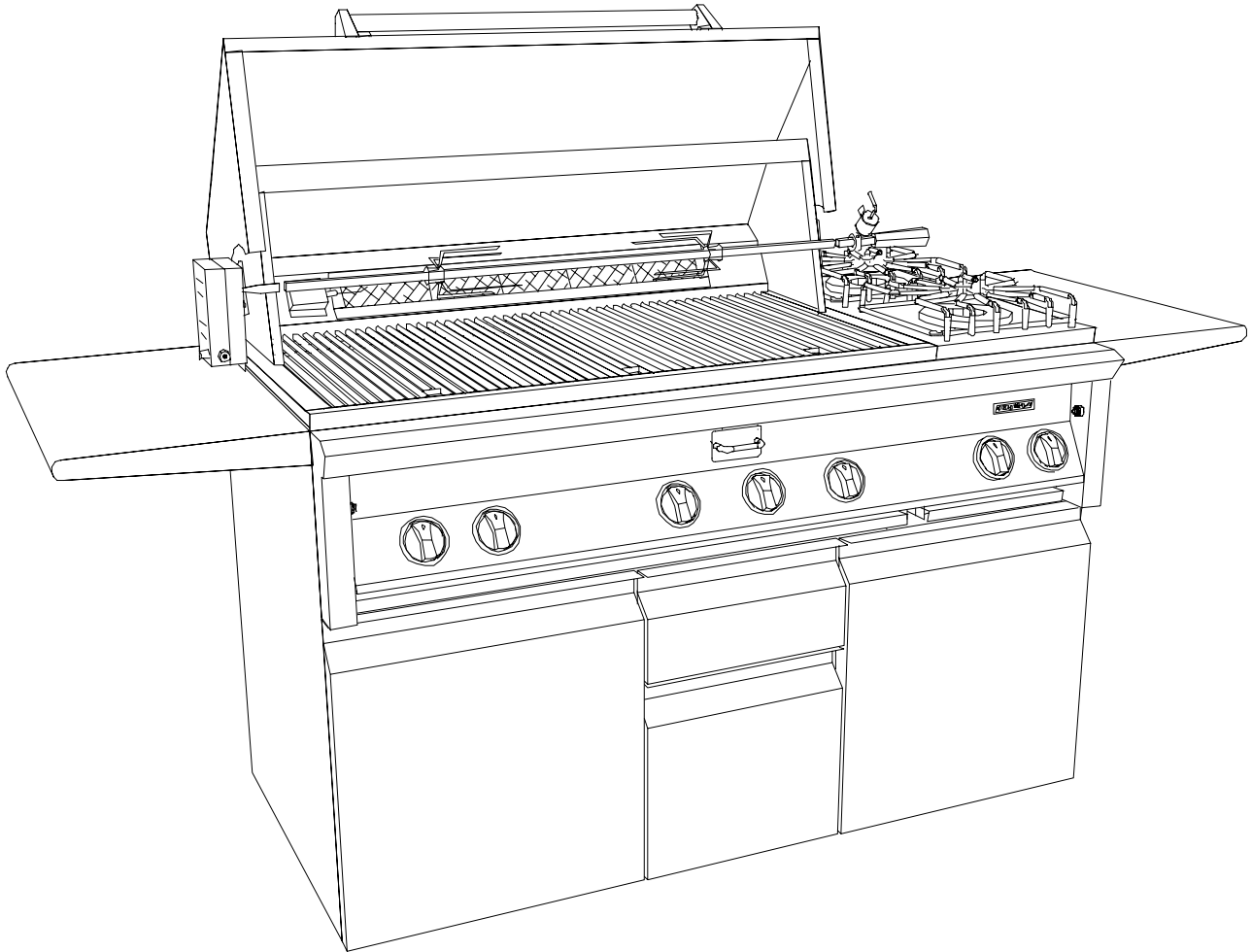
Bajo los términos de esta garantía, el servicio debe realizarlo un representante o un agente de servicio autorizados de DYNASTY. El servicio se proveerá durante horas normales de oficina. La mano de obra que se realice fuera de horas hábiles no estará cubierta por esta garantía. Para obtener el servicio bajo garantía, comuníquese con el distribuidor con el que compró el producto, con un agente autorizado de servicio de DYNASTY o con DYNASTY. Proporcione el número de modelo y el número de serie y la fecha de compra original.

IMPORTANTE: Conserve la prueba de compra original para establecer el período de la garantía.

Todas las garantías implícitas de comercialización y aptitud que se apliquen al equipo están limitadas a la duración del período de cobertura de esta garantía expresa por escrito. Esta garantía le otorga derechos específicos al comprador. Otros derechos, que varían de un estado a otro, podrían también corresponder a su caso. El título de la mercancía pasa al consignatario al momento en que el transportista acepta la mercancía. Después de la aceptación del transportista, la mercancía viaja bajo el riesgo del comprador. En caso de daños de transporte, no rechace el embarque. Avise al agente sobre el daño, y anote los detalles del daño en la factura de embarque antes de pagar los cargos de embarque. Presente una reclamación por los daños con el agente de embarque. En el caso de que el daño no sea obvio (el embarque llega en buenas condiciones aparentemente, pero al desempacararlo se descubre el daño), notifique de inmediato por escrito al agente de embarque y conserve una copia de la notificación.

MANUAL DE INSTALACIÓN Y USO

MODELOS:	DBQ30IA	DBQ30IAP
	DBQ30PA	DBQ30PAD
	DBQ42	DBQ42PAD
	DBQ42SA	DBQ42SAP
	DBQ55SA	DBQ55SAP



ASADOR DE GAS PARA EXTERIORES DYNASTY



¡Felicidades!

Cuando compró el Asador de gas para exteriores Dynasty usted compró un asador que fue diseñado pensando en usted.

Las características estándar de Dynasty incluyen una construcción de acero inoxidable núm. 304, completamente soldada, un Dynachrome™ de 25,000 BTU exclusivo o quemadores de bronce, parrillas de acero inoxidable núm. 304 de larga duración y varillas de asar de acero inoxidable para trabajo pesado con soportes extra grandes para carne que seguramente le proporcionarán un rendimiento excepcional durante muchos años. Y, las múltiples opciones de Dynasty, le ofrecen la oportunidad de ajustar el asador de acuerdo a sus preferencias personales.

¡Disfrútelo! Y bienvenido a la familia Dynasty.

Este manual tiene la finalidad de servir como una guía para la operación y el mantenimiento del nuevo Asador Dynasty.

Léalo detenidamente y manténgalo a la mano como referencia.

- **La instalación y el servicio debe realizarlos un instalador calificado, una agencia de servicio o el proveedor de gas.**
- **Al instalador: Deje estas instrucciones con el consumidor.**
- **Al consumidor: Conserve estas instrucciones como referencia futura.**

Free Manuals Download Website

<http://myh66.com>

<http://usermanuals.us>

<http://www.somanuals.com>

<http://www.4manuals.cc>

<http://www.manual-lib.com>

<http://www.404manual.com>

<http://www.luxmanual.com>

<http://aubethermostatmanual.com>

Golf course search by state

<http://golfingnear.com>

Email search by domain

<http://emailbydomain.com>

Auto manuals search

<http://auto.somanuals.com>

TV manuals search

<http://tv.somanuals.com>