

Evidence

Owners manual/Bedienungsanleitung



Content

Introduction	3
Safety Instructions	4
About this guide	4
Used expressions and symbols	4
Unpacking the Loudspeakers	5
Connecting	6
Connecting the loudspeakers	6
Connecting surround speakers	7
Positioning	8
General recommendations.....	8
Distance to back and side walls	9
Floor-standing loudspeaker set-up	9
Loudspeaker Toe-In.....	10
Room and furniture influence	10
Grille.....	10
Multi-Channel Setup	11
Loudspeakers for multi-channel setups	11
Multi-channel loudspeaker setup	12
Running-in / Care & Maintenance	13
Warranty	14
Technical Specifications	27

Inhalt

Einleitung	15
Sicherheitshinweise	16
Zu dieser Anleitung	16
Verwendete Begriffe und Symbole	16
Auspacken der Lautsprecher	17
Anschließen	18
Lautsprecher anschließen.....	18
Surround-Lautsprecher anschließen	19
Aufstellen	20
Allgemeine Empfehlungen	20
Abstand zu Rückwand und Seitenwänden	21
Standlautsprecher aufstellen	21
Auf den Hörplatz ausrichten	22
Wohnraumeinrichtung	22
Frontabdeckung	22
Mehrkanal-Anlage	23
Lautsprecher für eine Mehrkanal-Anlage	23
Aufstellen der Mehrkanal-Lautsprecher	24
Inbetriebnahme / Pflegehinweise	25
Garantie	26
Technische Daten	27

Introduction

Dear Music Lover,

Thank you for your decision to acquire these very special Dynaudio Evidence loudspeakers.

They feature advanced Dynaudio loudspeaker technology, resulting in music reproduction at a very high level, making many familiar recordings a new listening experience altogether. This advanced technology results from many years of intense research and development, the highest quality standards in production, and Dynaudio's enduring passion for musical truth.

Dynaudio is one of very few companies who can realize such loudspeaker concepts through it's own in-house development and production facilities. These facilities are so advanced and the quality control is so strict that Dynaudio is likely the only specialty audio company to have exceeded ISO 9000 and earned QS 9000 certification.

Your new Dynaudio loudspeaker is constructed by Dynaudio's master craftsmen in Denmark to these high standards of quality. To realize the highest sound, some areas should be addressed, as will be explored on the following pages. By considering the tips and suggestions, you will achieve the maximum performance and enjoyment of the Dynaudio loudspeakers and it's advanced musical capabilities for a long time to come.

Please also visit our web site www.dynaudio.com.

You will find additional information:

- Dynaudio dealers in your area
- Questions and answers about Dynaudio products and technical information
- Dynaudio events and news

We wish you many years of enjoyment experiencing music,
Dynaudio

Safety Instructions

CAUTION



HIGH SOUND PRESSURE LEVELS

Listening to high sound pressure levels over a longer period of time may harm your hearing.

- ▶ To avoid auditory effect do not listen to very high sound levels over a longer period of time.

About this guide

Used expressions and symbols

In this operating manual following signs and symbols are used:



The exclamation point within an equilateral triangle is intended to alert the user to the presence of important operating and maintenance (servicing) instructions in the literature accompanying the product.

CAUTION

Indicates (in combination with a safety sign) a potentially hazardous situation which, if not avoided, could result in minor or moderate injury or damage to equipment.

Note: Additional information is provided, which is important to fully understand the loudspeakers and how to operate it.

- ▶ The arrow will identify steps to be performed. Please follow the instructions carefully.

1. Multiple steps that should be performed consecutively are numbered.
2. Please follow these instructions carefully.

Unpacking the Loudspeakers

Dynaudio Evidence models are protected during transit by stable and secure packaging. Due to their weight and dimensions, they are shipped in a special wooden crate.

CAUTION



HEAVY PARTS

Unpacking the Evidence loudspeakers without help may cause personal injuries or product damage.

- ▶ Consult your trained Dynaudio dealer for assistance.
- ▶ Two people are recommended to unpack the loudspeakers.

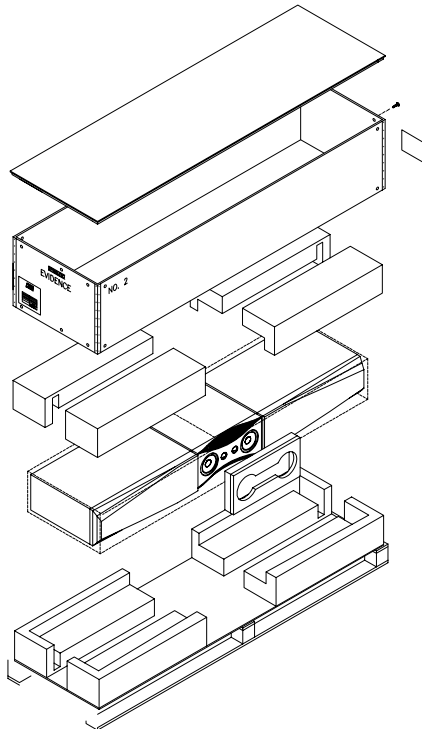


Fig. 1 Packaging (Temptation and Center models only, figure shows Temptation).

To unpack the Evidence Master loudspeakers:

- ▶ Please consult your Dynaudio dealer.

To unpack the Temptation and Center models:

1. Lay the transport box flat on the floor.
2. Remove the screws along the top plate, the top plate and the five safety pads.
3. Remove the screws along the bottom plate.
4. Carefully lift the sidewall frame.
5. Carefully remove the loudspeaker by lifting it up horizontally.
6. Turn the loudspeaker and slowly place it on its plinth.
7. Remove the wrapping foil by lifting it on one end and unwrap it in a clock-wise motion. Do not use blades, cutters or any other sharp objects that will destroy the foil.
8. Fix the sidewall frame on the bottom plate again.
9. Place the wrapping and the safety pads back into the box and close the plate.

The wooden transport crates and custom cartons are intended for long-term use and should be used whenever the loudspeakers are to be transported, and as such they should be stored for future use.

Connecting



Fig. 2 Binding posts at rear of cabinet.

Connecting the loudspeakers

1. Connect a two-pole (+/-) loudspeaker cable to the binding posts, located at rear of the cabinet (see Fig. 2). The high quality, gold plated binding posts can accommodate different connection systems:
 - **4-mm-plugs** (“banana plugs”): The pins can be put directly into the binding post without any tightening necessary.
 - **Cable spades**: Un-tighten the binding posts, insert the spade into the opening, and secure the spade by tightening the posts.
 - **Bare wires**: Un-tighten the binding posts and place the cable into the binding posts. Tighten the posts.

Note:

- With every connection system, ensure that the contact is tight and has a proper contact area.
- Connectors with similar gold plating as the loudspeakers binding posts will typically offer the best results and remain corrosion-free.
- Please ensure that the positive and negative cables do not make contact with each other.
- Tighten the posts, and check the contact after a few days to make sure that it hasn't loosened.

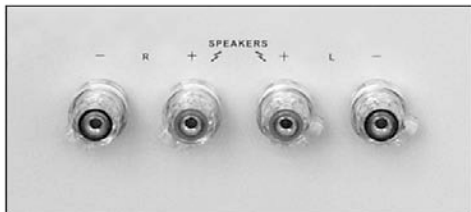


Fig. 3 Amplifier loudspeaker outputs (example).

2. Connect the other cable ends to the loudspeaker outputs of your **switched off** power amp (see Fig. 3).

Note:

- ▶ Please make sure that both loudspeakers are connected properly. For a better distinction one of the two veins of most loudspeaker cables are marked.
 - Connect the red marked post of the speaker to the red marked output of the amp.
 - Connect the white or black marked post to the white or black marked output accordingly.

Bi-wiring/bi-amping

Dynaudio loudspeakers feature a carefully fine-tuned cross-over, optimized using selected parts and an advanced circuitry to achieve a truly balanced and smooth frequency response. Therefore, dividing the frequency sections through bi-wiring or bi-amping is not recommended.

Choice of loudspeaker cable

The impact a loudspeaker cable can have on sound quality may be dramatic, though in general quality cable products will yield a quality result. Dynaudio loudspeakers are designed to be very neutral and thus are not extremely suited to any particular type of cable. The choice of cable is as much a factor of matching the cable to the entire audio system. Please consult your Dynaudio dealer for information about compatible loudspeaker cables that will suit both your electronics and the Dynaudio loudspeakers.

Connecting surround speakers

When connecting a two-channel stereo system, only the right and left channels are connected to the amplifier.

In a surround set-up, center, side or rear loudspeakers as well as a subwoofer are typically connected to provide for a multi-channel listening experience. Please refer to the amplifier's owner manual for particular connection instructions and see chapter "Multi-channel loudspeaker setup" on page 12 for further help.

Positioning

CAUTION



EXCESSIVE BRIGHTNESS

Direct sunlight or excessive brightness can affect the color of any natural wood veneer (the structural integrity of the cabinet will not be affected).

- ▶ To maintain the aesthetic quality of the loudspeakers for the long term, placing such in very warm, very cold, or very humid environments should be avoided.

Every room will have its own particular sound characteristics. Any room is also shaped and decorated uniquely, and therefore remains independent regarding options for positioning loudspeakers. The following steps are general suggestions that will make the correct positioning easier to achieve.

General recommendations

Following explanations refer to Fig. 4:

- The distance between each loudspeaker and your listening position should be the same (**B**). Try to achieve an isosceles triangle.
- The distance between the loudspeakers should be the same or better slightly less than the distance between each loudspeakers and your listening position (**A, B**).
- The closer the listening position is in relation to the loudspeakers, the closer the speakers can be positioned to each other. (As a starting point, it is recommended that the speakers be about 2 meters apart from each other for the best results (**A**.)
- If the speakers are positioned too close to each other, the stereo image will not seem realistic; if that distance is too wide, the image may leave an acoustic hole in the middle.
- Paying attention to the image during listening tests will help dictate optimum placement during experimentation and set-up.

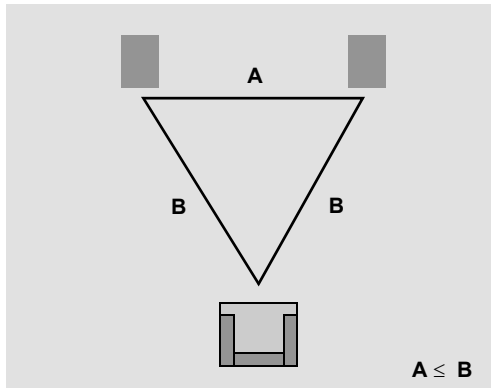


Fig. 4 Positioning the loudspeakers.

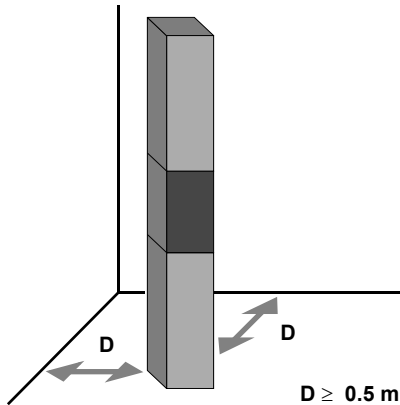


Fig. 5 Distance to walls.

Distance to back and side walls

Every loudspeaker not only disperses sound energy directly into the room, but also to the side and even backwards. As a result, time-delayed reflections occur and add to the original music signal. Thus, when loudspeakers are positioned too close to walls, the sound quality can be restricted.

The Dynaudio loudspeaker models were developed to be placed free-standing, and therefore they reach their optimum performance when positioned as clear of any walls as possible.

- ▶ To reduce possible influences from the back and sidewalls, the distance to these boundaries should ideally not be less than 0.5 meter.

Floor-standing loudspeaker set-up

Dynaudio feature a special base construction, which offers both an ideal performance and mechanical basis. Integrated into the base plinth are four individual spike assemblies. These stabilize the cabinet on an extremely small contact area, and therefore prevent any wobbling while offering optimal resonance control. The individually adjustable spikes allow leveling of the cabinet on uneven floors.

CAUTION



SPIKES WITH SHARP PEAKS

The sharp peaks of the spikes may cause injuries and damage sensitive surfaces like hardwood flooring or tile.

- ▶ Be careful when handling the loudspeakers.
- ▶ Place plates between the spikes and the surface to protect the underlying surface. (**Note:** The spike will not destroy a carpet surface.)

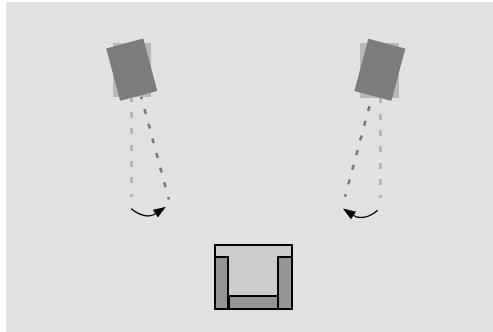


Fig. 6 Angle inwards loudspeakers to improve imaging.

Loudspeaker Toe-In

Depending on your personal listening environment and room dimensions, loudspeakers may be angled in towards the listening area to focus the sound radiation. This positioning will typically improve imaging and is especially recommended by Dynaudio (see Fig. 6).

Room and furniture influence

The sound quality of any loudspeaker is influenced by the furniture, wall materials and other objects in the listening room. For example, large rooms without much furniture and many clean, hard wall surfaces can give a bright and diffuse sound with diverse echoing frequencies. A room with thick carpet, curtains and soft furniture surfaces will give a slightly warmer, darker and less lively sound.

Grille

A cloth grille is included and can be affixed to the cabinet to help protect the drivers from dust and any other influences. The grille is acoustically optimized, but the highest sound quality levels will be attained without any grille covers in place during listening.

- ▶ To remove the grille, gently pull the grille at all corners straight away from the front.
- ▶ To fit the grille, line up the studs with the corresponding front baffle holes and gently push the grille in at all corners.

Multi-Channel Setup

Dynaudio loudspeaker models are designed to offer the most advanced performance in both stereo and multi-channel applications. When connecting a loudspeaker to a multi-channel setup, in general the same guidelines as mentioned in the text above will apply.

Note:

When setting up a home theatre system, the loudspeakers should create a realistic soundstage with similar sound characteristics on each channel. It is therefore important that any speaker used in a multi-channel setup should match the same high quality level. This is especially important with regards to the center channel loudspeaker, as this is critical aspect of any multi-channel soundstage.

Loudspeakers for multi-channel setups

For a multi-channel setup, in addition to the two main (stereo) loudspeakers, additional channels (speakers) may be added to reproduce dialogue and surround effects.

Center speaker

The center is responsible for the information directed from the middle of the screen and should be positioned between the right and left main loudspeakers.

In a home theater/surround setup, the center supports the images and should be placed as close as possible to the screen. With various surround formats, such as Dolby Digital EX or DTS ES, a Center can also be utilized as a rear center channel.

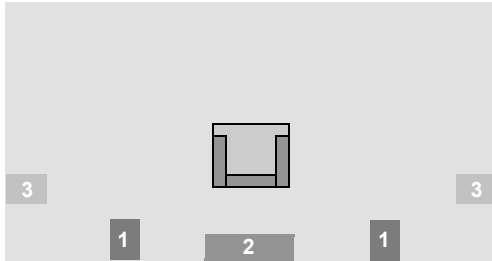


Fig. 7 Rear speakers in multi-channel setups.

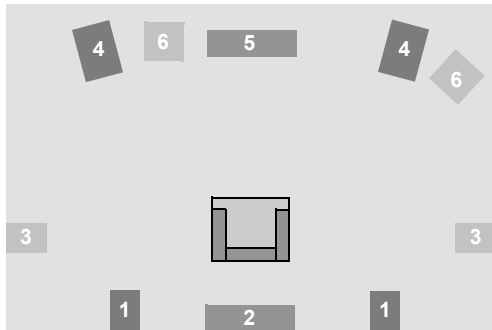


Fig. 8 5.1, 6.1 and 7.1 multi-channel speaker setup.

Rear speakers

The rear speakers are responsible for the rear sound effects behind the listening position. Corresponding to the surround format 5.1, 6.1 or 7.1, you need to install additional speakers:

-
- 1 5.1: The standard multi-channel setup with two rear speakers.
 - 2 6.1: An additional rear center speaker is placed between the two rear speakers.
 - 3 7.1: Two speakers are added on both sides between the front and rear speakers.
-

Subwoofer

Most often a subwoofer will be utilized for the LFE-signal in such setups, especially in larger listening rooms. The position of the subwoofer will be dependent upon the size of the room and its acoustics. Dynaudio recommends placing the subwoofer close to the front speakers, but not too close to any walls, corners or furniture. This helps to sonically integrate the subwoofer in the existing surround channel setup.

Multi-channel loudspeaker setup

Thus, a complete multi-channel setup consists of following speakers:

-
- 1, 2, 3 Rear speakers (as explained above).
 - 4 Front (stereo) speakers.
 - 5 Center speaker.
 - 6 Subwoofer, possible positions (e.g. Dynaudio Sub).
-

Because there are many different setup options – from 5.1 to 10.2 channel applications – and the fact that loudspeaker positioning will also depend upon the room's shape, please consult your Dynaudio dealer for special applications and for placement options.

Running-in / Care & Maintenance

Running-in the loudspeakers

The moving parts of a newly manufactured loudspeaker have been acoustically checked after production, but nevertheless are not as flexible as they need to be for optimum results to be realized. The higher the quality of any driver system, the more demanding the loudspeaker will be regarding time for running-in the system.

A newly unpacked Dynaudio loudspeaker therefore requires several weeks running/ playing to reach its optimum performance capability. After that period, a couple of minutes before every listening session will be helpful to “warm up” the loudspeakers.

Power rating

Due to the construction and the driver technology the Dynaudio loudspeakers can be driven with very high power levels. With a high quality amplifier, delivering undistorted signals, the speaker can achieve high volumes without any compromises in sound quality. Attention must be given to amplifiers with very low power and adjustable tone controls or switches. These types may soon overreach their own performance limits and may send distorted output signals to the speakers, compromising even high quality technology.

Any damage caused under such circumstances is not covered by the Dynaudio warranty and is easily avoided in the first place by consulting your Dynaudio dealer for advice regarding the choice of amplifier.

CAUTION



DISTORTED OUTPUT SIGNALS

Distorted output signals from too weak, defective or overloaded amplifiers may damage the loudspeakers.

- ▶ Use high quality amplifiers only and run loudspeakers and amplifiers within specified power ratings.
-

Care & maintenance

Dynaudio loudspeakers require no special treatment apart from the kind of careful handling you would normally apply to any high tech product in your home.

CAUTION



AGGRESSIVE CLEANING FLUIDS

All-in-one cleaning materials, aggressive cleaning fluids or special furniture polishes may damage the cabinet surface or other speaker parts.

- ▶ Use a soft dry or slightly damp cloth when cleaning the cabinet and other plain parts.

Cleaning the loudspeakers:

- ▶ Switch off all components of your system when cleaning any of these components.
- ▶ Avoid touching the tweeter domes as any change of their shape may have an impact on sound quality.
- ▶ Clean the cabinet and other plain parts with a soft dry or slightly damp cloth only.
- ▶ Remove dust on the woofer diaphragms with a fine furniture brush.

All materials used by Dynaudio are integrated with exceptional care. By taking care of your loudspeakers, you will preserve the finish and build quality for a very long time.

Warranty

Dynaudio provides a transferable limited 5 year manufacturer's warranty. This warranty only covers faults or defects in material and production. Damage caused as a result of abuse, misuse or defective electronics is not covered by the warranty. All warranty claims must be accompanied by a copy of the original purchase invoice and warranties are only valid in the country or market of original origin or distribution. Should warranty service be required, it must be arranged for in the country of purchase by an authorized Dynaudio dealer.

All performance criteria are strictly controlled. In the whole production procedure – from raw materials to the final assembly – Dynaudio thoroughly inspects all parameters along every step of way.

Einleitung

Sehr geehrter Musikliebhaber,

vielen Dank, dass Sie sich für diesen besonderen Dynaudio Evidence Lautsprecher entschieden haben.

Dieses Modell beinhaltet hochwertige Dynaudio Lautsprechertechnologie, die aus jeder Musikwiedergabe ein beeindruckendes Erlebnis macht. Diese Technologie ist das Resultat langjähriger Forschung und Entwicklung, höchster Qualitätsansprüche und der für Dynaudio typischen Liebe zur wahrheitsgetreuen Musikwiedergabe.

Dynaudio ist einer der wenigen Hersteller, der anspruchsvolle Lautsprecherkonzepte nicht nur in eigener Entwicklung, sondern auch in aufwändiger eigener Fertigung realisieren kann. Aufgrund dieser Qualitätsorientierung ist Dynaudio nach der strengen, die ISO 9000 übertreffenden Qualitätsnorm QS 9000 zertifiziert. Jedes Dynaudio Lautsprecher Modell wird in Dänemark nach diesen höchsten Qualitätsanforderungen gefertigt. Um die bestmögliche Klangqualität zu erzielen, sollten einige Anforderungen beachtet werden, die wir auf den folgenden Seiten beschreiben. Sie werden so die Freude an Ihrem Dynaudio Lautsprecher und an seinen musikalischen Fähigkeiten für viele Jahre erhalten.

Besuchen Sie auch unsere Internetseiten unter www.dynaudio.com.

Sie finden dort zusätzliche Informationen:

- Dynaudio Fachhändler in Ihrer Nähe
- Fragen und Antworten zu Dynaudio Produkten sowie technische Informationen
- Dynaudio Veranstaltungen und Neuigkeiten

Wir wünschen Ihnen viel Spaß beim Musik hören,

Dynaudio

Sicherheitshinweise

VORSICHT



HOHE SCHALLPEGEL

Musikhören mit zu hoher Lautstärke über eine längere Zeit kann das Gehör schädigen.
▶ Vermeiden Sie es, über eine längere Zeit mit sehr großer Lautstärke Musik zu hören.

Zu dieser Anleitung

Verwendete Begriffe und Symbole

In dieser Bedienungsanleitung werden folgende Begriffe und Symbole verwendet:



Allgemeines Warnzeichen

Das Ausrufezeichen in einem Dreieck macht den Benutzer auf eine Gefahr aufmerksam, die zur Beschädigung des Gerätes oder zu Verletzungen führen kann.

VORSICHT

Das Warnwort VORSICHT in Verbindung mit einem Warnsymbol kennzeichnet eine Gefahr, die zur Beschädigung des Gerätes und leichten Verletzungen führen kann. Beachten Sie bitte unbedingt die an diesen Stellen gegebenen Anweisungen.

Hinweis:

Diese Textstellen geben Ihnen zusätzliche Informationen, die zum Verständnis des Lautsprechers und seiner Bedienung wichtig sind.

- ▶ Stellen, die mit einem Pfeil markiert sind, kennzeichnen einen Handlungsschritt. Lesen Sie bitte sorgfältig die dort gegebenen Anleitungen.
1. Mehrere Tätigkeiten, die nacheinander ausgeführt werden müssen, sind entsprechend nummeriert. Bitte befolgen Sie die angegebene Reihenfolge.
-

Auspacken der Lautsprecher

Die Dynaudio Evidence Modelle werden durch eine stabile und sichere Verpackung geschützt. Aufgrund ihres hohen Gewichts und ihrer Größe werden sie in einer speziellen Transportverpackung aus Holz versendet.

VORSICHT



SCHWERE LAUTSPRECHERELEMENTE

Das Auspacken und Aufstellen der Lautsprecher ohne Hilfe kann zu Verletzungen oder Beschädigungen führen.

- ▶ Nehmen Sie den Service Ihres Dynaudio Fachhändlers in Anspruch.
- ▶ Lassen Sie sich von einer Person beim Auspacken helfen.

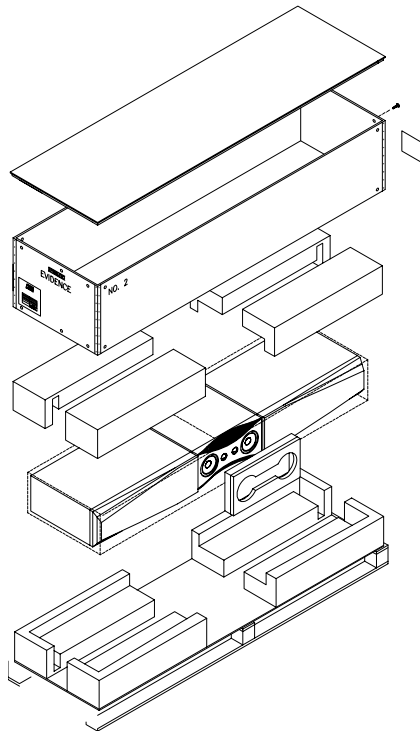


Abb. 1 Verpackung (nur Temptation und Center Modelle, die Abbildung zeigt Temptation).

Auspacken der Evidence Master Lautsprecher:

- ▶ Bitten Sie Ihren Dynaudio Fachhändler um Unterstützung.

Auspacken der Temptation und Center Modelle:

1. Legen Sie die Transportverpackung flach auf den Boden.
2. Lösen Sie die oberen Verschraubungen entlang der Deckelkante, nehmen Sie den Deckel ab und entfernen Sie die fünf oberen Sicherheitspolster.
3. Lösen Sie die seitlichen Verschraubungen entlang der Unterkante.
4. Heben Sie den Seitenwand-Rahmen vorsichtig nach oben hoch.
5. Entnehmen Sie den nun frei liegenden Lautsprecher aus den Verpackungs-Elementen, indem Sie ihn waagrecht langsam aus der Verpackung heben.
6. Stellen Sie den Lautsprecher vorsichtig auf seine untere Standfläche.
7. Entfernen Sie die Schutzfolie, indem Sie sie vom offenen Ende her abwickeln. Benutzen Sie keine scharfen Werkzeuge, um die Folie zu zertrennen.
8. Befestigen Sie den Seitenwand-Rahmen wieder auf der Bodenplatte.
9. Legen Sie die Folie und die oberen Sicherheitspolster zurück in die Transportverpackung, schließen Sie den Deckel und befestigen Sie alle Schrauben.

Die Transportverpackung ist für eine lange Verwendungsdauer ausgelegt und sollte zu jedem Transport der Lautsprecher wieder genutzt werden, um Beschädigungen sicher auszuschließen. Auch die individuell angepassten Transportverpackungen sollten für die weitere Verwendung aufbewahrt werden.

Anschließen

Lautsprecher anschließen

1. Verbinden Sie zunächst das Lautsprecherkabel mit den Anschlüssen des Lautsprechers (siehe Abb. 2). Dynaudio Lautsprecher sind mit hochwertigen, kontaktsicher vergoldeten Schraubklemmen für verschiedene Anschlusssysteme ausgestattet.
 - **4-mm-Stecker** („**Bananenstecker**“): werden direkt in die offenen Anschlussbuchsen eingesteckt. Ein Verschrauben ist nicht notwendig.
 - **Kabelschuhe**: werden befestigt, indem Sie die Anschlüsse lösen und die Kabelschuhe durch die Verschraubung fest auf die vergoldeten Kontaktflächen pressen.
 - **Abisolierte Kabelenden**: Diese können nach Herausdrehen der Verschraubung in die mittlere Öffnung des Gewindebolzens geschoben und festgeschraubt werden.

Hinweise:

- Achten Sie bei jedem Anschlusssystem auf möglichst große, fest verbundene Kontaktflächen, um die Klangqualität nicht durch Übergangswiderstände zu beeinträchtigen.
- Für eine dauerhaft kontaktsichere, korrosionsfreie Verbindung sollten die Kontaktflächen des Anschlusssystems möglichst ebenfalls vergoldet sein.
- Achten Sie darauf, dass sich an den Lautsprecher- und Verstärkeranschlüssen die beiden Adern nicht an den blanken Kabelenden berühren.
- Ziehen Sie die Verschraubung nach einigen Tagen nochmals fest, da jede Befestigung noch etwas nachgeben kann.



Abb. 2 Anschlussfeld am Lautsprecher.

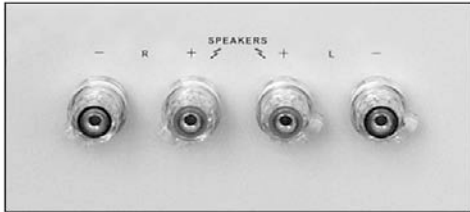


Abb. 3 Lautsprecherklemmen am Verstärker (Beispiel).

2. Verbinden Sie nun die Kabelenden mit den Lautsprecher-Ausgängen des **ausgeschalteten** Verstärkers (siehe Abb. 3).

Hinweis:

- ▶ Achten Sie auf die richtige Polung beider Lautsprecher. Bei den meisten Lautsprecherkabeln ist zur besseren Unterscheidung eine der beiden Adern gekennzeichnet.
 - Verbinden Sie den rot markierten Anschluss des Lautsprechers mit dem rot markierten Ausgang des Verstärkers (+).
 - Verbinden Sie den weiß oder schwarz markierten Anschluss mit dem weiß oder schwarz markierten Ausgang des Verstärkers (–).

Bi-Wiring/Bi-Amping

Dynaudio Lautsprecher bilden durch eine aufwändige Frequenzweichenkonstruktion eine klanglich genau abgestimmte Einheit. Eine Auftrennung der Frequenzbereiche durch Bi-Wiring oder Bi-Amping ist nicht zu empfehlen, da hierbei die Frequenzbereiche einzeln betrachtet werden. Dies würde zu einer unvorhersehbaren klanglichen Abstimmung führen.

Wahl des Lautsprecherkabels

Der Einfluss der Kabelqualität ist sehr bedeutend für den Klang der gesamten Anlage. Das Kabel sollte daher mit großer Sorgfalt ausgewählt werden. Dynaudio Lautsprecher wurden mit hochwertigen Verbindungskabeln entwickelt und sollten daher auch bei Ihnen zu Hause mit entsprechenden Lautsprecherkabeln betrieben werden. Bitte diskutieren Sie mit Ihrem Dynaudio Fachhändler, welche Kabel am besten mit Ihrer Anlage harmonieren und der hohen Klangqualität Ihrer Dynaudio Lautsprecher entsprechen.

Surround-Lautsprecher anschließen

Bei Stereo-Verstärkern werden nur der linke und der rechte Lautsprecher angeschlossen. Bei Mehrkanal-Verstärkern zusätzlich Center-Lautsprecher, Rear-Lautsprecher sowie eventuell Subwoofer. Bitte beachten Sie hierzu die Hinweise in der Bedienungsanleitung Ihres Verstärkers sowie das Kapitel „Aufstellen der Mehrkanal-Lautsprecher“ auf Seite 24.

Aufstellen

VORSICHT



INTENSIVE LICHT EINWIRKUNG

Direktes Sonnenlicht oder intensive Helligkeit können die Farbe der Echtholzverkleidung Ihrer Lautsprecher beeinflussen. Dies hat jedoch keine Auswirkungen auf die klangliche Qualität des Gehäuses.

- Um die optische Qualität Ihrer Lautsprecher auf lange Sicht zu gewährleisten, sollten Sie die Aufstellung an sehr warmen, kalten oder feuchten Orten vermeiden.

Jeder Raum ist vollkommen individuell gestaltet und eingerichtet und verhält sich daher völlig unterschiedlich bei der Positionierung der Lautsprecher. Die folgenden Hinweise sind lediglich Richtlinien, die eine richtige Aufstellung erleichtern.

Allgemeine Empfehlungen

Die folgenden Hinweise beziehen sich auf Abb. 4:

- Der Abstand beider Lautsprecher zu Ihrem Hörplatz sollte gleich groß sein (B). Bilden Sie mit den Lautsprechern ein gleichschenkliges Dreieck.
- Der Abstand zwischen den beiden Lautsprechern sollte etwas geringer sein als die Entfernung zum Hörplatz (A, B).
- Je näher Sie an den Lautsprechern sitzen, desto geringer kann auch der Abstand zwischen den Lautsprechern sein.
(Zur Optimierung kann ein Abstand von 2 m als Ausgangsbasis dienen, der dann individuell dem Raum entsprechend variiert werden muss (A).)
- Bei zu geringem Abstand zwischen den Lautsprechern entsteht keine korrekte Stereo-Abbildung; bei zu großem Abstand ist die Wiedergabe rechts-/linkslastig mit einem deutlich hörbaren Loch in der Mitte.
- Hilfreich bei dieser Aufstellung ist eine Ihnen vertraute Aufnahme, bei der Sie die Bühnenabbildung nachempfinden können. (**Tipp:** Stellen Sie den Verstärker auf „Mono“. So können Sie die Mittenabbildung leicht optimieren.)

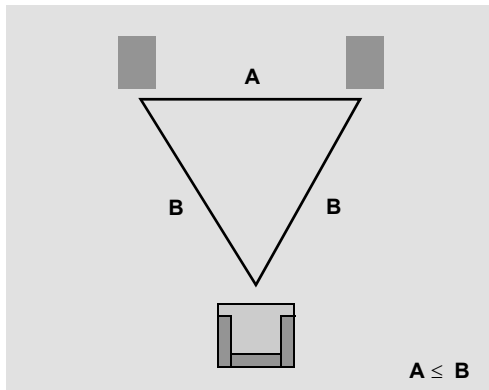


Abb. 4 Die Lautsprecher aufstellen.

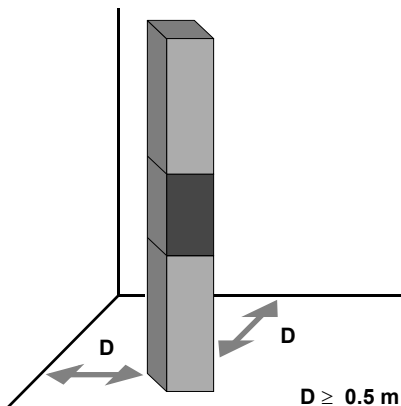


Fig. 5 Abstand zu den Wänden.

Abstand zu Rückwand und Seitenwänden

Bei wandnaher Aufstellung wird physikalisch bedingt die Klangqualität beeinträchtigt. Jeder Lautsprecher strahlt Schallanteile nicht nur gezielt nach vorne ab, sondern auch seitlich und nach hinten. An den Wänden entstehen Reflexionen, die das eigentliche Musiksignal verfälschen.

Dynaudio Lautsprecher wurden für die freie Aufstellung entwickelt, so dass sie die beste Wiedergabe bei einer gewissen Entfernung zu den angrenzenden Flächen erreichen.

- ▶ Stellen Sie die Lautsprecher mit einem Abstand von mindestens 0,5 Metern zu den angrenzenden Wänden auf, um unerwünschte Reflexionen zu minimieren.

Standlautsprecher aufstellen

Dynaudio Lautsprecher sind mit einer speziellen Bodenplatte versehen, die eine sowohl klanglich als auch mechanisch ideale Aufstellung auf dem Boden ermöglicht. Die beigelegten Spikes können in der Bodenplatte befestigt werden und stabilisieren den Lautsprecher so auf geringster Kontaktfläche. Dies verhindert gegenseitige Schwingungseinflüsse und ermöglicht eine resonanzarme Aufstellung. Bitte achten Sie darauf, dass die Spikes fest angezogen sind. Die jeweils vier Spikes sind in der Höhe justierbar und passen die Lautsprecher so auch unebenen Untergründen an.

VORSICHT



SPIKES MIT SPITZEN ENDEN

Die spitzen Enden der Spikes können zu Verletzungen führen und empfindliche Böden wie Parkett oder Fliesen beschädigen.

- ▶ Seien Sie vorsichtig beim Anheben oder Umstellen der Lautsprecher.
- ▶ Legen Sie Unterlegscheiben unter die Spikes, um eine Beschädigung des Bodens zu vermeiden. (**Hinweis:** Teppichböden werden durch die Spikes nicht beschädigt.)

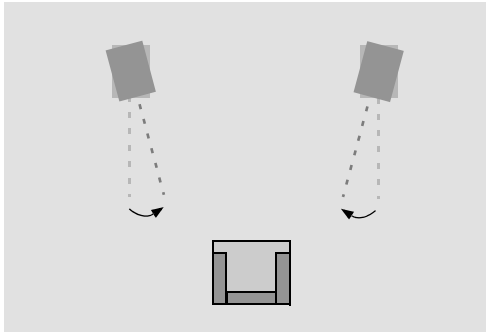


Abb. 6 Ein Anwinkeln der Lautsprecher kann die Abbildung verbessern.

Auf den Hörplatz ausrichten

Je nach Aufstellung der Lautsprecher und Einrichtung des individuellen Hörraumes können die Lautsprecher zum Hörer hin angewinkelt sein, so dass sie nicht parallel zu der Rückwand stehen, sondern leicht nach innen zeigen. Eine derartige Aufstellung kann die Stereo- und Mittenabbildung der Musikaufnahme verbessern und wird von Dynaudio empfohlen. Dennoch bleibt die präzise Aufstellung auch hier Ihren persönlichen Hörgewohnheiten überlassen.

Wohnraumeinrichtung

Der Klang jedes Lautsprechers ist auch abhängig von der Einrichtung im Raum. So entstehen bei großen Räumen mit wenigen Einrichtungsgegenständen und vielen glatten Flächen ausgeprägte Resonanzen und Nachhallzeiten, die das eigentliche Musiksignal tendenziell hell und diffus klingen lassen. Ein stark bedämpfter Raum mit vielen Einrichtungsgegenständen und vielen weichen Flächen kann dagegen zu einem eher dunklen Klangbild führen.

Frontabdeckung

Die wertvollen Chassis können mit der beiliegenden Stoffabdeckung vor Staub und anderen Einflüssen geschützt werden. Die Abdeckung wurde nach klanglichen Gesichtspunkten optimiert, dennoch ist mit freiliegenden Chassis die kompromisslos beste Klangqualität zu erzielen.

- ▶ Zum Abnehmen ziehen Sie die Abdeckung am Rahmen gleichmäßig und gerade von der Vorderfront ab.
- ▶ Zum Aufsetzen platzieren Sie die Zapfen der Abdeckung exakt über die Buchsen in der Gehäusefront und drücken den Rahmen gleichmäßig und gerade ganz ein.

Mehrkanal-Anlage

Dynaudio Lautsprecher wurden entwickelt, um sowohl im Stereo- als auch Mehrkanal-Betrieb eine gleichermaßen optimale Wiedergabequalität zu erzielen. Beim Anschließen mehrerer Lautsprecher an einen mehrkanaligen Verstärker gelten im Prinzip die gleichen Hinweise wie die zuvor für Stereo genannten.

Hinweis:

In jeder mehrkanaligen Lautsprecher-Konfiguration ist es von besonderer Bedeutung, dass sich die einzelnen Lautsprecher zu einem gleichmäßigen, realistischen Klangbild ergänzen. Dies bedingt, dass alle angeschlossenen Lautsprecher in ihren tonalen Eigenschaften ähnlich sind und in ihrer Klangcharakteristik aufeinander abgestimmt sind.

Lautsprecher für eine Mehrkanal-Anlage

Für eine Mehrkanal-Aufstellung werden die klassischen rechten und linken Stereo-Lautsprecher durch zusätzliche Schallquellen ergänzt, um Surround-Effekte zu erzielen.

Center-Lautsprecher

Der Center-Lautsprecher gibt bei mehrkanaligem Heimkino die direkt sichtbaren Bildereignisse wie z.B. Sprache wieder und sollte daher exakt zwischen den beiden Frontlautsprechern möglichst nahe am Fernsehgerät oder an der Projektionsfläche stehen. In Surround-Formaten wie zum Beispiel DTS ES oder Dolby Digital EX ist auch die Aufstellung als Rear-Center zwischen den hinteren Lautsprechern möglich.

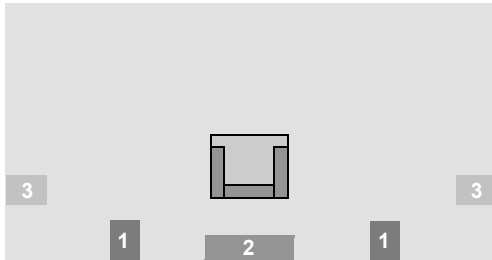


Abb. 7 Rear-Lautsprecher für unterschiedliche Surround-Formate.

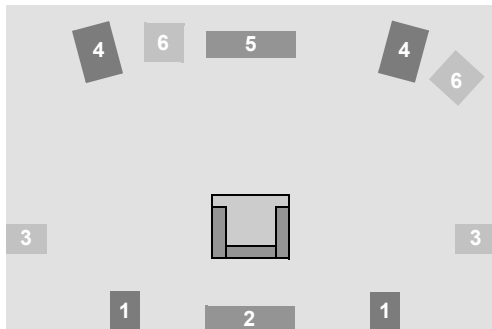


Abb. 8 5.1, 6.1 und 7.1 Mehrkanal-Lautsprecher-Setup.

Rear-Lautsprecher (hintere Lautsprecher)

Die Rear-Lautsprecher geben rückwärtige Signale wieder und werden daher rechts und links hinter dem Hörplatz positioniert. Abhängig vom gewählten Surround-Format 5.1, 6.1 oder 7.1 müssen weitere Lautsprecher installiert werden:

-
- 1 5.1: Die einfachste Mehrkanal-Anlage mit zwei Rear-Lautsprechern.
 - 2 6.1: Ein zusätzlicher Lautsprecher wird zwischen die beiden Rear platziert.
 - 3 7.1: Die Rear-Lautsprecher werden um zwei weitere ergänzt. So wird eine noch realistischere Raumwiedergabe erzielt.
-

Subwoofer

Als weitere Unterstützung ist ein Subwoofer möglich, der die tiefsten Frequenzen unterstützt. Die Aufstellung ist sehr von der Gesamtanlage und der Raumanordnung abhängig. Bevorzugt sollte der Subwoofer nahe der Hauptlautsprecher aufgestellt werden, ohne zu dicht von Wänden oder Möbelstücken umgeben zu sein.

Aufstellen der Mehrkanal-Lautsprecher

Eine Mehrkanal-Anlage besteht somit aus folgenden Lautsprechern:

-
- 1, 2, 3 Rear-Lautsprecher (wie oben beschrieben).
 - 4 Front-Lautsprecher (stereo).
 - 5 Center-Lautsprecher.
 - 6 Subwoofer, mögliche Aufstellorte (z.B. Dynaudio Sub).
-

Da verschiedene Mehrkanal-Anlagen von 5.1 bis zu 10.2 möglich sind, kann an dieser Stelle nicht umfassend und detailliert genug auf alle Anschlussmöglichkeiten eingegangen werden. Bitte lassen Sie sich hierzu von Ihrem Dynaudio Fachhändler beraten, um praxisgerechte Lösungen für Ihre individuelle Mehrkanal-Anlage zu finden.

Inbetriebnahme / Pflegehinweise

Einspielen der Lautsprecher

Die bewegten Teile eines Lautsprechers haben im Neuzustand trotz vorhergehender akustischer Qualitätskontrollen noch nicht ihre volle Bewegungsfreiheit und damit ihr mögliches Klangpotential erreicht. Je besser die Qualität der Lautsprecherchassis, desto anspruchsvoller ist ein Lautsprecher bei der Einspielzeit.

Ein neu gefertigter Dynaudio Lautsprecher benötigt daher, je nach Pegel und Nutzungsdauer, einige Wochen, um seine optimale Klangqualität zu erreichen. Danach reichen jeweils einige Minuten, um auf höchstem Niveau spielen zu können.

Belastbarkeit

Die Belastbarkeit von Dynaudio Lautsprechern ist durch die Konstruktion und Materialwahl der Chassis besonders hoch. Mit einem leistungsfähigen, unverzerrt arbeitenden Verstärker können die Lautsprecher nach einer gewissen Einspielzeit mit sehr hohem Pegel ohne Beeinträchtigung der Klangqualität spielen.

Folgender Punkt muss jedoch beachtet werden: Verstärker mit sehr niedriger Leistung sowie Verstärker mit regelbaren Klangeinstellungen können bei großen Lautstärken in den hohen Frequenzen verzerrte Signale produzieren. Dieses so genannte „Clipping“ kann selbst die beste Lautsprechertechnik dauerhaft beschädigen.

Derartige Beschädigungen werden nicht durch die Garantieleistung abgedeckt und sollten daher durch vorherige Beratung mit Ihrem Dynaudio Fachhändler vermieden werden.

VORSICHT



VERZERRTE VERSTÄRKERSIGNALE

Verzerrte Signale von zu schwachen, defekten oder überlasteten Verstärkern können den Lautsprecher beschädigen.

- ▶ Verwenden Sie nur qualitativ hochwertige Verstärker und betreiben Sie Lautsprecher und Verstärker nur innerhalb der angegebenen Leistungsgrenzen.
-

Pflege

Dynaudio Lautsprecher bedürfen keiner besonderen Pflege, die über die Anforderungen anderer hochwertiger Geräte hinaus geht.

VORSICHT



AGGRESSIVE REINIGUNGSMITTEL

All-in-one Reiniger, aggressive Reinigungsmittel oder spezielle Möbelpolituren können die Gehäuseoberfläche oder andere Lautsprecherteile beschädigen.

- ▶ Verwenden Sie lediglich ein weiches und leicht feuchtes Tuch zum Reinigen der Lautsprecher.

Die Lautsprecher reinigen:

- ▶ Schalten Sie zur Sicherheit bei jedem Reinigen Ihrer Anlage oder bei längerer Abwesenheit alle Geräte aus.
- ▶ Berühren Sie nicht die Kalotten der Hochtöner, da sich eine Veränderung der Form negativ auf den Klang auswirkt.
- ▶ Verwenden Sie ein fusselfreies, leicht feuchtes Tuch zur Reinigung des Gehäuses.
- ▶ Entstauben Sie die Lautsprecherchassis vorsichtig mit einem sehr weichen Pinsel.

Alle verwendeten Materialien wurden von Dynaudio mit höchster Sorgfalt verarbeitet. Bei richtiger Pflege werden Sie diese Verarbeitung für sehr lange Zeit erhalten.

Garantie

Dynaudio gewährt auf Lautsprecher eine übertragbare Garantie von 5 Jahren. Diese Garantie erstreckt sich ausschließlich auf Material- und Fertigungsmängel. Schäden, die durch unsachgemäßen Betrieb oder defekte Verstärker entstanden sind, werden von der Garantie nicht abgedeckt. Als Nachweis für den Garantieanspruch gilt der Kaufbeleg. Die Abwicklung von Reklamationen erfolgt in der Regel über Ihren autorisierten Dynaudio Fachhändler.

Alle oben genannten Daten unterliegen einer strengen Kontrolle. So werden im gesamten Produktionsablauf vom Einkauf bis zur Endmontage für jede Station die spezifischen Parameter kontrolliert.

Technical Specifications / Technische Daten

	Evidence Master	Evidence Temptation	Evidence Center
Sensitivity (2.83 V/1 m) <i>Empfindlichkeit (2,83 V/1 m)</i>	92 dB	90 dB	90 dB
IEC Long Term Power Handling <i>Belastbarkeit (Langzeitbelastung)</i>	> 600 W	500 W	350 W
Impedance (nominal) <i>Impedanz (nominal)</i>	4 Ohm	4 Ohm	4 Ohm
Weight <i>Gewicht</i>	135 kg	113 kg	55 kg
Dimensions (W x H x L in mm incl. plinth) <i>Abmessungen (B x H x T in mm inkl. Sockel)</i>	240/450 x 2050 x 580	210/390 x 1933 x 490	1222 x 210 x 464

Brochures / Broschüren



Evidence line



Subwoofer line



Accessories



Dynaudio A/S, 8660 Skanderborg, Denmark

Sales & Marketing

Dynaudio International GmbH, Ohepark 2, 21224 Rosengarten, Germany, Phone +49 4108 - 41 80 - 0

www.dynaudio.com

Free Manuals Download Website

<http://myh66.com>

<http://usermanuals.us>

<http://www.somanuals.com>

<http://www.4manuals.cc>

<http://www.manual-lib.com>

<http://www.404manual.com>

<http://www.luxmanual.com>

<http://aubethermostatmanual.com>

Golf course search by state

<http://golfingnear.com>

Email search by domain

<http://emailbydomain.com>

Auto manuals search

<http://auto.somanuals.com>

TV manuals search

<http://tv.somanuals.com>