

# PORTABLE DVD TRAVELKIT

# USER'S GUIDE

Thank you for purchasing our Dynex Portable DVD Travel Kit. Our product includes a DVD car seat console and mounting straps that allow rear-seat passengers to watch movies on your portable DVD player while traveling in your car.

Using the car seat console, you can mount your portable DVD player:

- On the back of one front seat
- On the center console
- Suspended between two front seats



In addition to this user's guide, the Dynex Portable DVD Travel Kit contains:

- DVD Travel Case
- Car seat console
- Six mounting straps
- 90 watt inverter
- Two behind-the-neck headphones
- "Y" jack
- Shoulder strap



DYNEX • [WWW.DYNEXPRODUCTS.COM](http://WWW.DYNEXPRODUCTS.COM)

## FEATURES

With the DVD kit, you can safely carry your portable DVD player and DVDs. The DVD kit has storage pockets for your remote control, cables and other items. In addition, its seat console enables rear-seat passengers to view DVD movies in the back of your car.

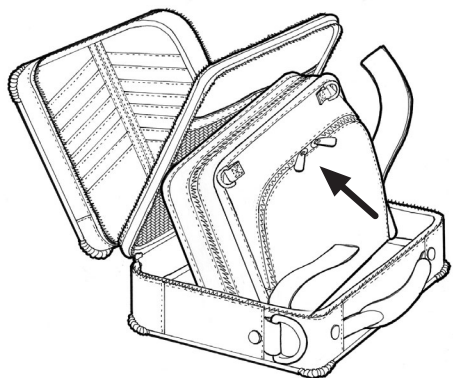
The following is a list of our specific features:

- Both the DVD player case and the seat console are made of rugged outer materials
- Deluxe high density interior foam padding for superior protection
- Storage pockets for up to 16 DVDs
- Viewing case can accommodate up to 10 inch screen DVD Player
- Storage pockets for accessories, cables and remote
- 2 inch expansion zipper increases the outer bag's capacity
- Storage for car seat console bag
- 6 straps for mounting the seat console bag

## DIRECTIONS FOR USING YOUR PORTABLE DVD TRAVEL KIT

This section describes how to insert your DVD player in the car seat console, how to mount the DVD player in your car and how to store your DVD player in the DVD travel kit.

### Inserting your DVD Player in the Viewing Case

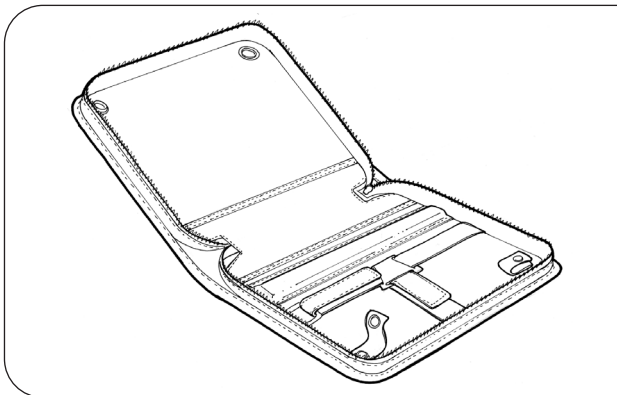


The car seat console case can accommodate a portable DVD player with a screen size of up to 10 inches.

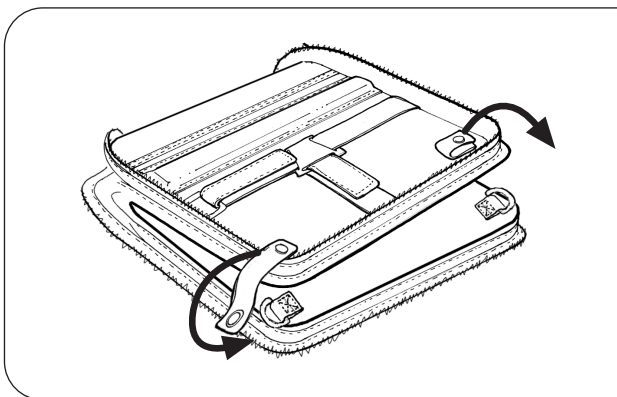
### ***Removing the viewing case***

1. Remove the car seat console case from the main DVD player case.

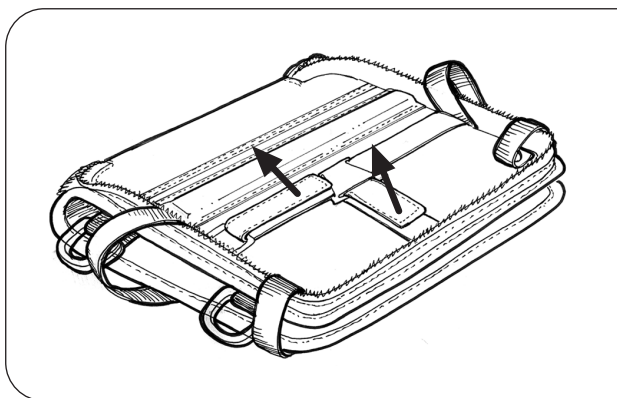
2. Unzip and unfold (open) the car seat console case.



3. Turn the car seat console case over and unfasten the two elastic snaps.



4. Fold the car seat console case in half so you can snap the two elastic snaps to the fasteners.



5. Turn the car seat console case back over and loosen the hook and loop straps.



6. Place your portable DVD player in the car seat console case so that your DVD player is under the hook and loop straps.
7. Fasten the strap to hold the DVD player in place.

You are now ready to mount the player in your car.

## Mounting Your Portable DVD Player

You can mount the car seat console case in the following configurations in your car:

- On the center console
- On the back of one seat
- Suspended between both front seats

**CAUTION:** Make sure you position your portable DVD player facing rearward so that the driver cannot see the screen. Viewing DVD movies while driving is unlawful in some states.

**ATTENTION:** Each vehicle design varies greatly. These mounting directions are for reference only and may not work in every vehicle. Always mount your DVD Player with safety in mind.

Adjust the seats before mounting the car seat console to avoid possible damage to the car seat console, mounting straps or seats.

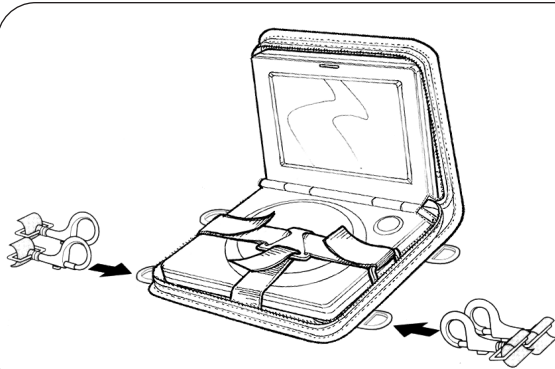
## Mounting on the Center Console



Mounting the car seat console case with your DVD player on your car's center console requires two of the mounting straps. These straps secure the car seat console case to both front seats.

1. Place the car seat console case on your car's center console with the DVD player facing rearward.
2. Sitting in a rear passenger seat, put one of the mounting straps around the back of one of the front seats.

3. Position the strap's swivel clasps near the car seat console.
4. Put a second mounting strap around the back of the other seat.
5. Move both straps down towards the base of the seats
6. Attach each mounting strap's two swivel clasps to the front D-rings closest to the viewer.
7. Tighten each mounting strap until the car seat console is secure on the console and cannot move forward or backward.



*Connecting mounting straps to the front D-rings*

## Mounting on the Back of a Seat

Mounting the car seat console with your DVD player on the back of one seat requires two of the mounting straps. The upper strap attaches to the car seat console case's front D-rings. The lower strap attaches to the rear D-rings.

### *Placing the first strap*

1. Sitting in the rear passenger seat, put one of the mounting straps around the front seat.
2. Position the strap's swivel clasps so they are toward you
3. Move the strap down to where the middle of your back would rest against the seat.

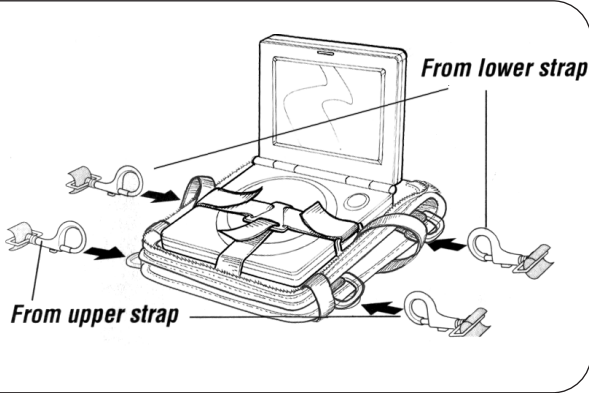


*Car Seat Console mounted on the back of one seat*

4. Hold the car seat console case against the back of the seat with the DVD player facing toward you.
5. Attach the mounting strap to the rear D-rings (one swivel clasp to each D-ring).
6. Tighten the strap to hold the car seat console in place.

### ***Placing the second strap***

1. Put a second mounting strap around the headrest mounts of the same front seat.
2. Position the strap's swivel clasps so they are toward you.
3. Position the strap toward the top of the seat where your head or neck would rest against the seat back.
4. Attach the mounting strap to the front D-rings (one swivel clasp to each D-ring).



5. Hold the car seat console case perpendicular to the back of the seat.
6. Tighten each strap so the DVD player is at the desired viewing angle and the car seat console case is secure against the seat.

### **Mounted Between Two Seats:**

Mounting the car seat console case holding your DVD player suspended between the front seats requires all four mounting straps.

#### ***Placing the straps on the seats***



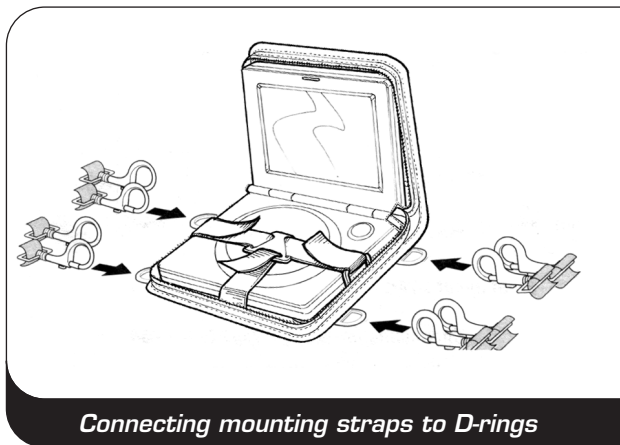
1. Sitting in a rear passenger seat, put one of the mounting straps around the back of one of the front seats.
2. Move the strap down to where the middle of your back would rest against the seat.
3. Put another mounting strap around the headrest mounts of the same front seat.
4. Position each straps' set of swivel clasps toward the center of your car to where the car seat console case will be mounted.
5. Repeat steps 1-5 to fit the other two mounting straps on the other front seat.

## Mounting the car seat console bag

1. Hold the car seat console between the seats so that the DVD player is facing rearward.
2. Attach the two lower mounting straps' swivel clasps to the car seat console case's front and rear D-rings closets to the clasps.  
You should have attached four swivel clasps, one to each D-ring.

3. Attach the two upper mounting straps' swivel clasps to the car seat console's front and rear D-rings closest to the clasps.  
You should have attached four more swivel clasps, one to each D-ring, for a total of eight.

4. Adjust and tighten each strap so that the DVD player is at the desired viewing angle and car seat console case is secure.



*Connecting mounting straps to D-rings*

## Storing Your DVD Player in the Main DVD Player Case

Once inserted in the car seat console case, you can store your DVD player in the main DVD Player case when not in use.

1. Close your DVD player.
2. Unfasten the two elastic snaps.
3. Close and zip the car seat console.
4. Fasten the two elastic snaps to the bottom of the car seat console.
5. Insert the car seat console case in the larger pocket of the DVD player case and zip the pocket.

## Limited Warranty

This warranty applies only to the Dynex Portable DVD Travel Kit sold to original purchasers of the product in the United States. If you purchased your Dynex product outside of the United States, please contact your local distributor for warranty information.

### WHAT IS COVERED?

Dynex warrants to the original purchaser that the Dynex Portable DVD Travel Kit is free from defects in materials and workmanship in manufacturing for one (1) year from the date of purchase.

### WHAT WE WILL DO TO CORRECT THE PROBLEMS

Dynex will repair or replace, at Dynex's option, the products covered under this warranty that prove to be defective in materials or workmanship, without charge to you (except you must pay for your own shipping and transportation costs to a Best Buy store). If the product is no longer available, Dynex reserves the right to substitute a comparable product.

In order to be eligible for service under this warranty, the defective Dynex product must be returned to a Best Buy store within the applicable Warranty Period described above. You must provide the original receipt as proof of purchase.

### WHAT IS NOT COVERED

This warranty does not cover damage from normal wear and tear, misuse, abuse, neglect, alteration and accidental causes, including bodily, personal or property damage resulting from vehicular accidents or other sudden forces or "Acts of God". Dynex will not provide any warranty service if this product shows evidence of such damage. Dynex will not repair defects relating to repair or servicing not performed by Dynex.

In no event shall Dynex be held liable for incidental, special or consequential damages. Some states do not allow the exclusion or limitation of incidental, special or consequential damages, so the above limitation or exclusion may not apply to you.

### ASSUMPTION OF RISK

Any person who uses the Dynex Portable DVD Travel Kit assumes the risks, including bodily injury, caused by the presence of the Dynex Portable DVD Travel Kit in the vehicle during an accident involving the vehicle. This product has not been used in any crash tests and its presence in a vehicle may become a dangerous projectile during an accident or other sudden force upon the vehicle.

### YOUR RIGHTS UNDER IMPLIED WARRANTIES AND STATE LAW

This limited warranty is exclusive and in lieu of all other warranties, obligations or liabilities. If any implied warranties apply as a matter of law, Dynex limits the duration of such warranty, including but not limited to the implied warranties of merchantability and fitness for a particular purpose, to the applicable Warranty Periods described above. Some states do not allow limitations on how long an implied warranty lasts, so the above limitation may not apply to you. This warranty gives you specific legal rights and you may also have other rights, which vary from state to state.

Copyright 2004 Dynex.

Richfield, MN Downloaded from [www.dynexproducts.com](http://www.dynexproducts.com) All Manuals Search And Download.



## Free Manuals Download Website

<http://myh66.com>

<http://usermanuals.us>

<http://www.somanuals.com>

<http://www.4manuals.cc>

<http://www.manual-lib.com>

<http://www.404manual.com>

<http://www.luxmanual.com>

<http://aubethermostatmanual.com>

Golf course search by state

<http://golfingnear.com>

Email search by domain

<http://emailbydomain.com>

Auto manuals search

<http://auto.somanuals.com>

TV manuals search

<http://tv.somanuals.com>