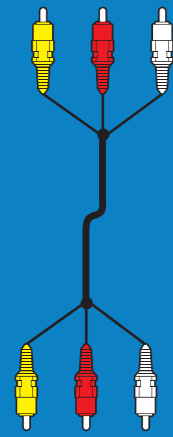


32" LED-LCD TV QUICK SETUP GUIDE

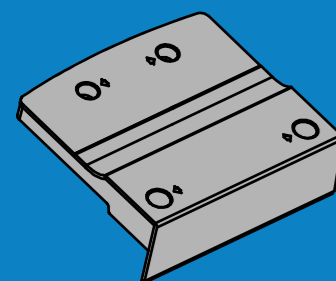
DX-32E250A12



Composite cable



Remote control and two AAA batteries



Flat stand cover for wall mounting



TV stand and four screws

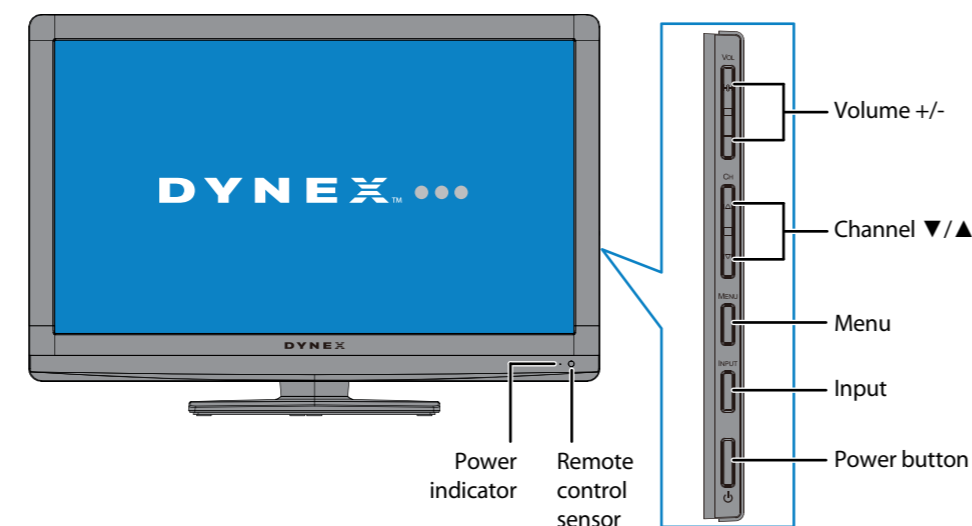
WE ARE GOING GREEN!

A copy of your *User Guide* is not provided in the box but is available online.

Go to www.dynexproducts.com, then click **Support & Service**. Enter your model number in the **Search** field, then press **Enter**. Click **Support/Downloads**.

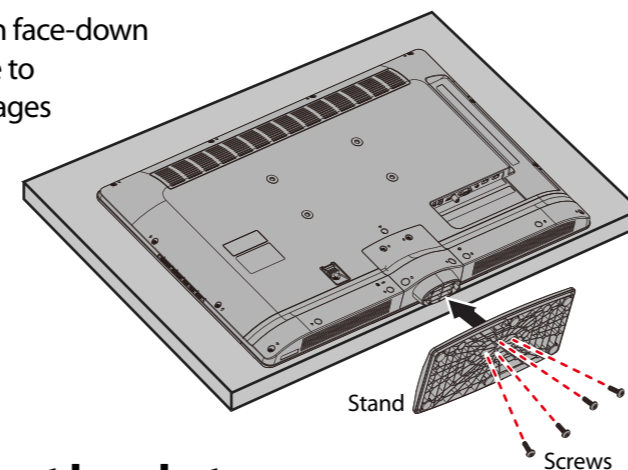


Front features



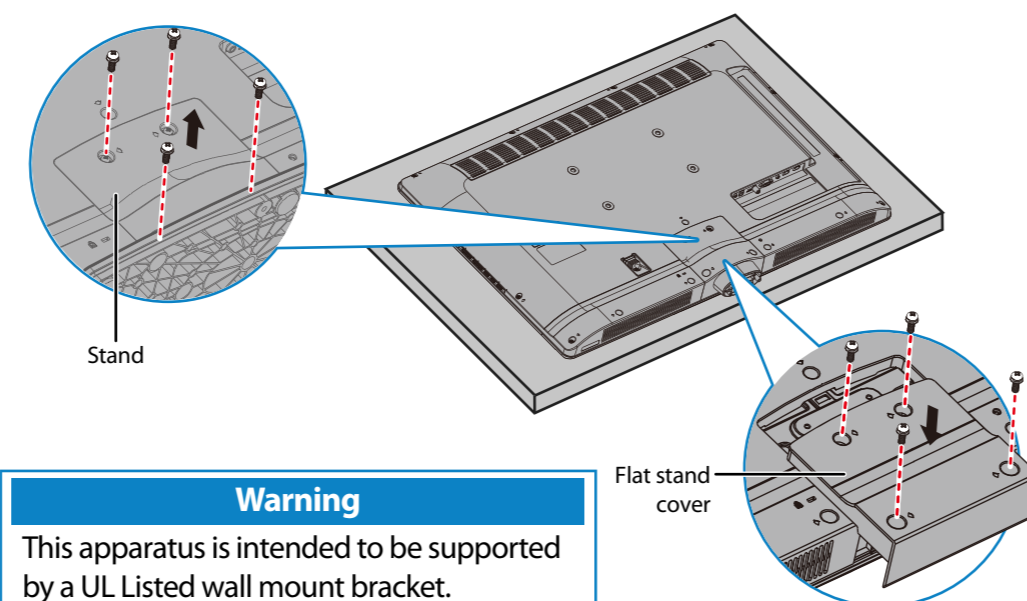
Installing the stand

- Carefully place your TV screen face-down on a cushioned, clean surface to protect the screen from damages and scratches.
- Secure the stand to the TV with the four provided screws.



Installing a wall-mount bracket

- Carefully place your TV screen face-down on a cushioned, clean surface to protect the screen from damages and scratches.
- Remove the four screws that secure the stand, then remove the stand.
- Secure the flat stand cover to the back of your TV, using the four screws you just removed.
- Attach the wall-mount bracket to your TV using the mounting holes on the back of your TV. See the instructions that came with the wall-mount bracket for information about how to correctly hang your TV.



Warning

This apparatus is intended to be supported by a UL Listed wall mount bracket.

Identifying cables

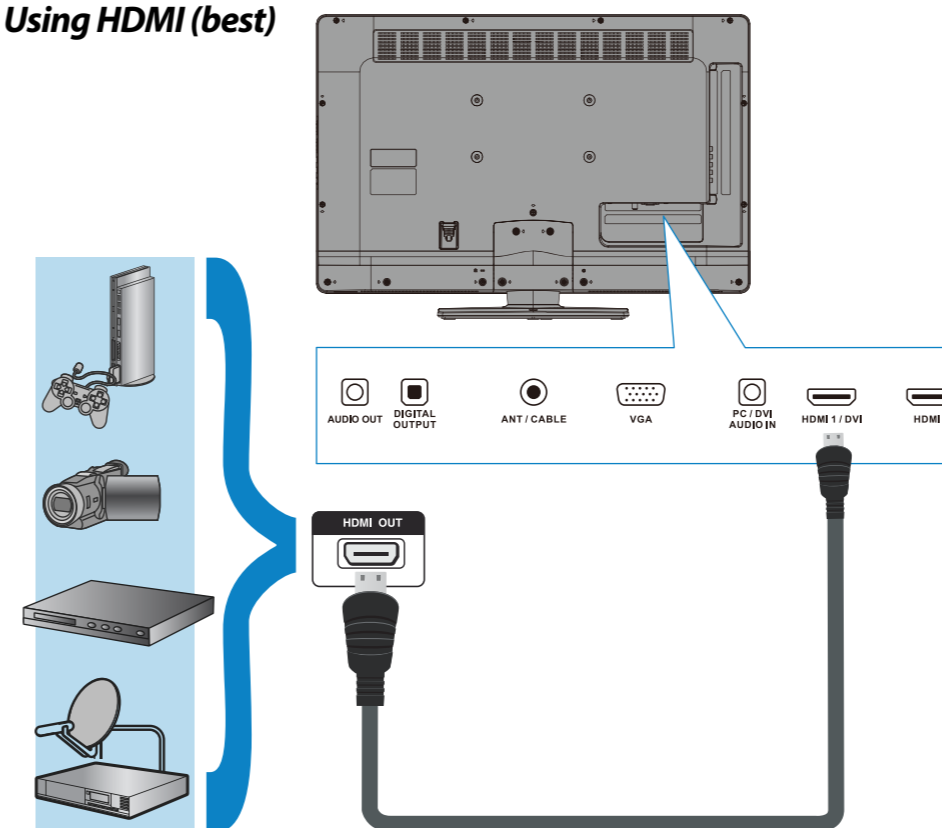
Your TV has several connection types for connecting devices. For the best video quality, connect a device to the best available connection.

Connection type	Video quality	Cable connector
HDMI video/audio	Best	
OR		
Component video and analog audio	Better	
OR		
Composite video and analog audio	Good	

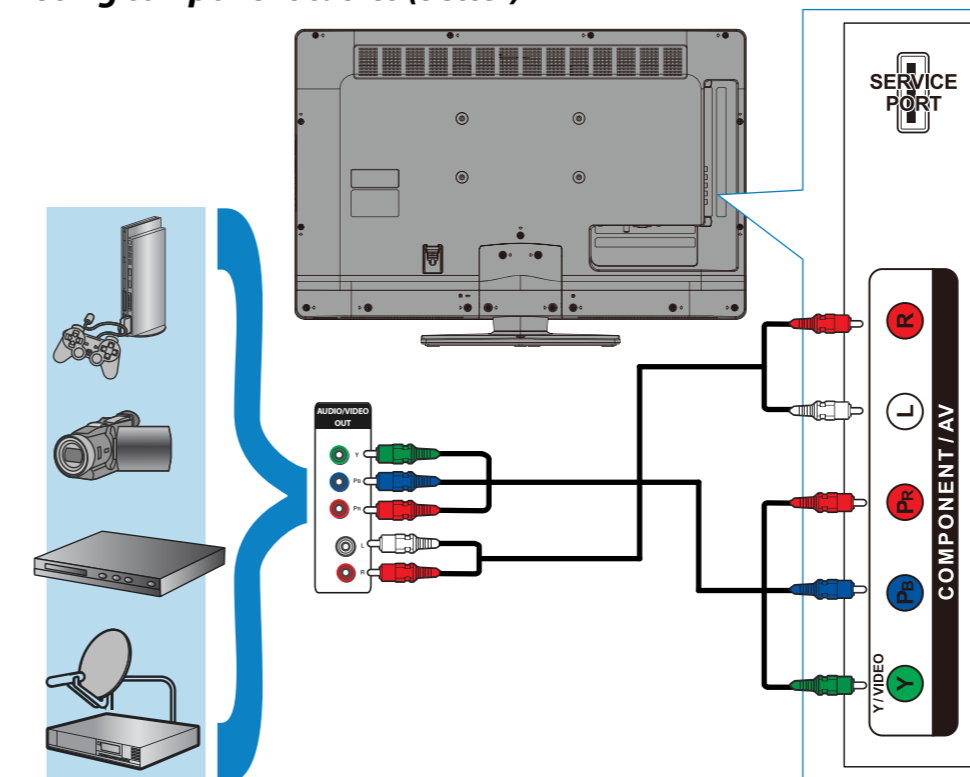
You can use an HDMI 1 jack to connect a DVI device to your TV. You need to attach an HDMI-to-DVI adapter to the end of the HDMI cable that connects to the DVI device's jack.

Connecting a DVD or Blu-ray player, cable box, satellite receiver, or game station

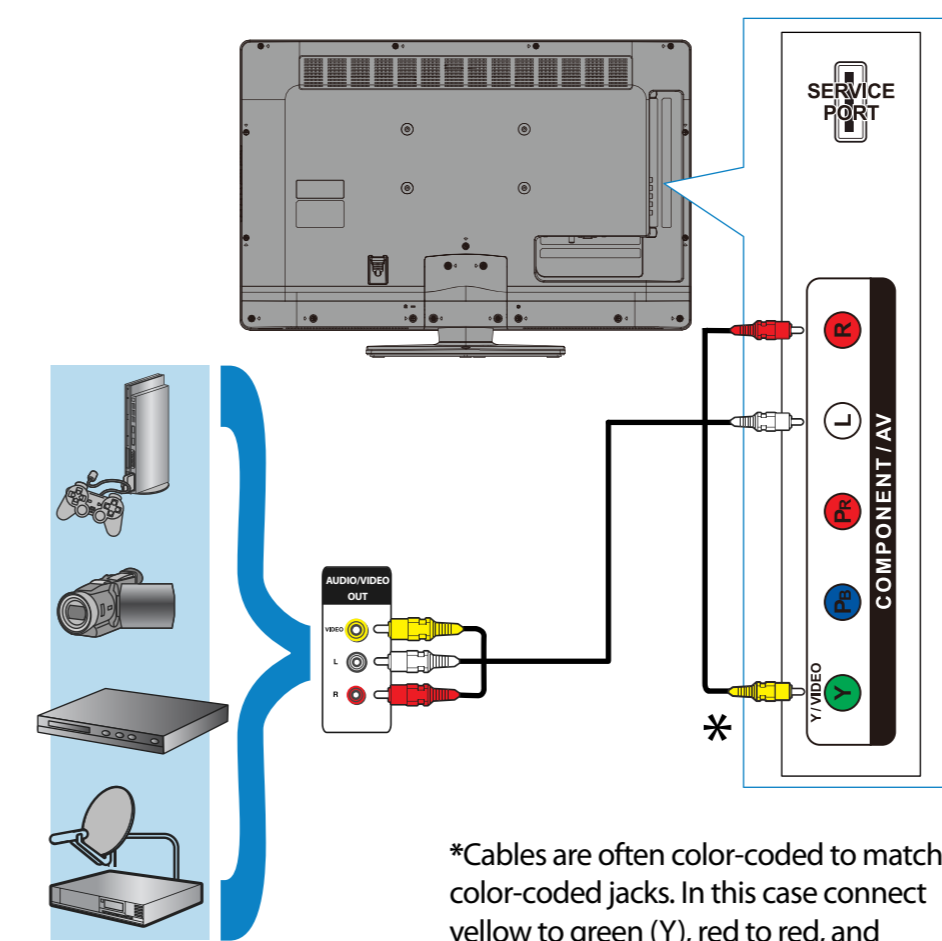
Using HDMI (best)



Using component cables (better)

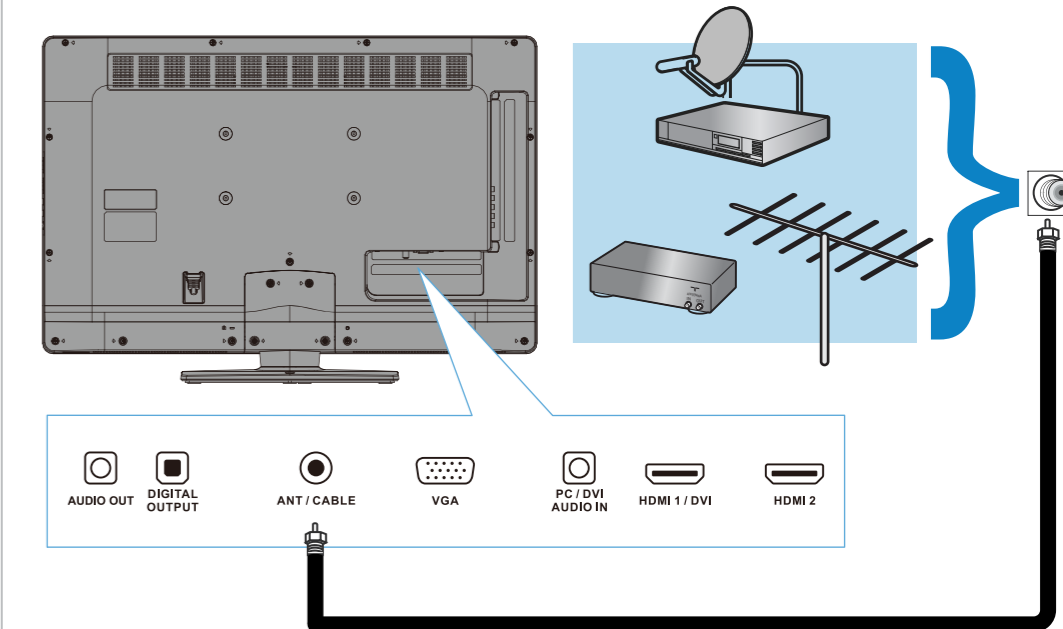


Using composite cables (good)



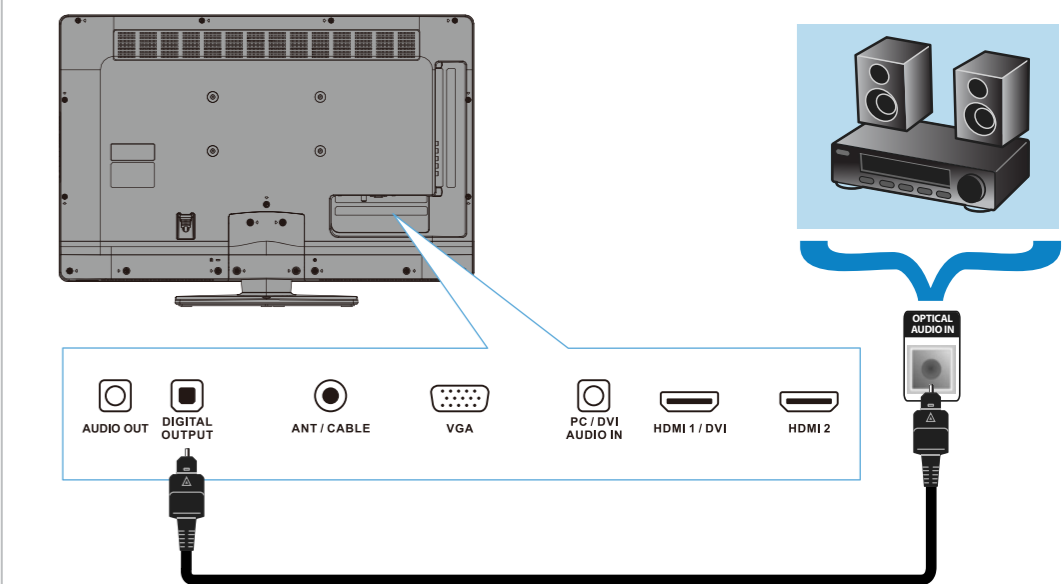
*Cables are often color-coded to match color-coded jacks. In this case connect yellow to green (Y), red to red, and white to white.

Connecting an antenna/cable wall jack

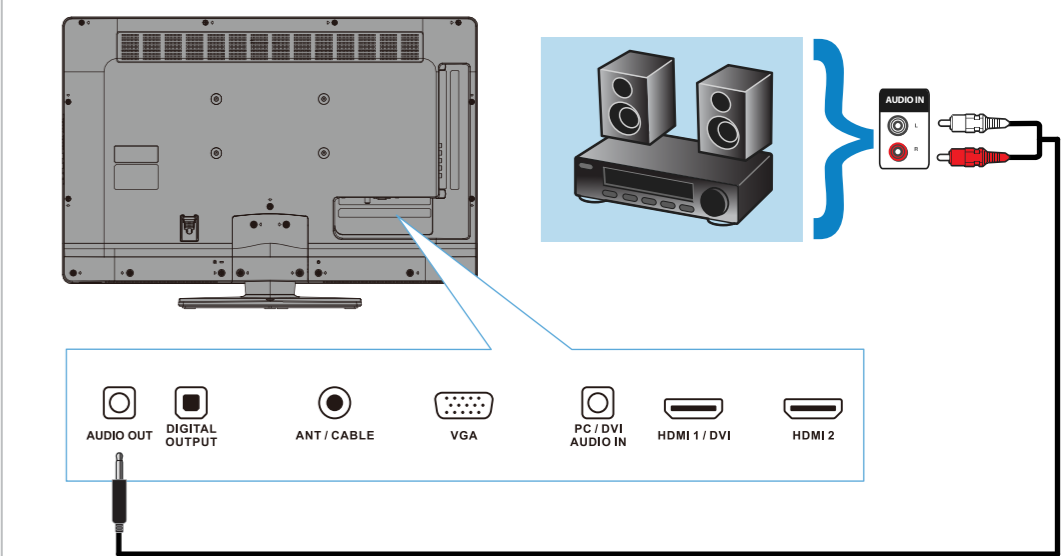


Connecting a Home Theater System

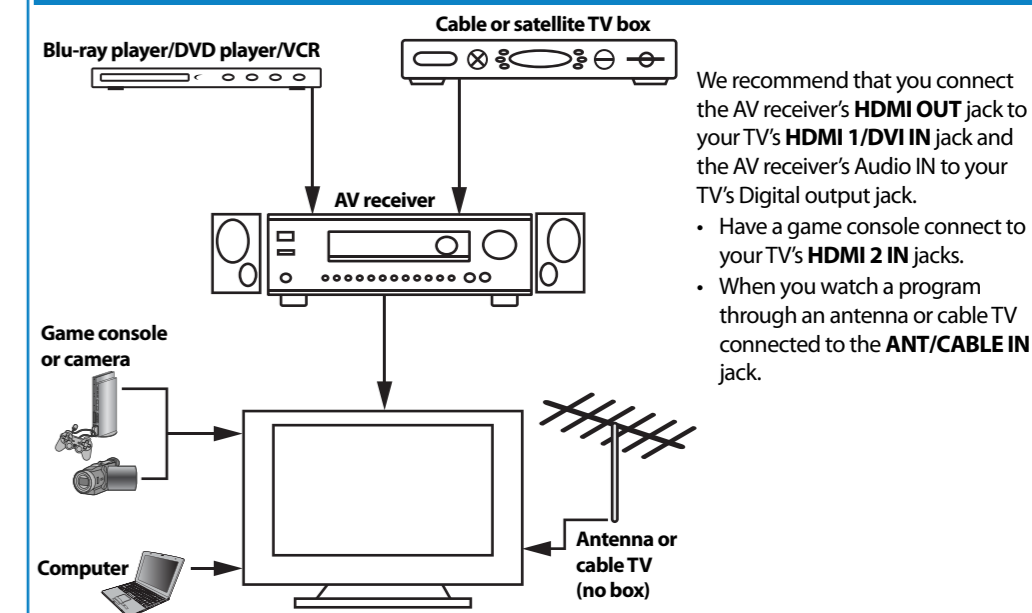
Using Digital audio



Using Analog audio



Connecting a home theater system with multiple devices

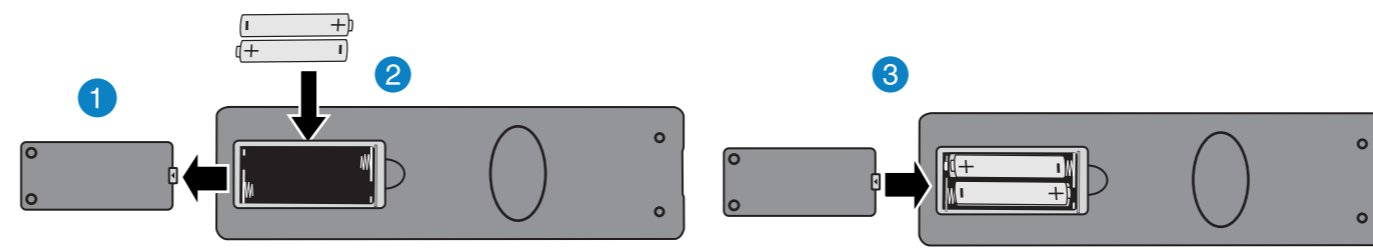


We recommend that you connect the AV receiver's **HDMI OUT** jack to your TV's **HDMI 1/DVI IN** jack and the AV receiver's Audio IN to your TV's Digital output jack.

- Have a game console connect to your TV's **HDMI 2 IN** jacks.
- When you watch a program through an antenna or cable TV connected to the **ANT/CABLE IN** jack.

Setting up and using your remote control

- 1 Press the release button on the back of the remote to remove the battery compartment cover.
- 2 Insert two AAA batteries into the battery compartment. Make sure that the + and - symbols on the batteries match the + and - symbols in the battery compartment.
- 3 Replace the cover.



Input Source
TV
Component/AV
VGA
HDMI 1
HDMI2

Picture Mode
Energy Savings: 50
Contrast: 50
Brightness: 50
Color: 58
Tint: 0
Sharpness: +10
Backlight: 43

Aspect ratio options

- Normal:** Displays the original aspect ratio with black bars vertical on the left and right hand side of the screen.
- Zoom:** Expands the image to fill the screen. The top and bottom of the image may be cropped.
- Wide:** Use this option to view content recorded in a 16:9 (wide-screen) aspect ratio.
- Cinema:** Stretches the image at the edges, but keeps a clear image in the center.
- Auto:** Automatically adjusts the image based on the screen size and the TV program. **Note:** Auto is only available when Auto Zoom in the CHANNELS menu is set to On.

Remote Control Functions:

- Input:** Opens the Input Source list.
- Power:** Turns your TV on or off.
- Numbers:** Enter channel numbers.
- INFO:** Opens a TV status banner.
- ENTER:** Confirms selections or changes.
- MENU:** Opens the on-screen menu.
- MUTE:** Mutes the sound.
- Volume:** Changes the volume.
- Quick Launch Inputs:** Selects another source connected to your TV.
- ZOOM:** Changes how the picture displays on the screen.
- PICTURE:** Selects the picture modes.
- SLEEP:** Sets the sleep timer.
- RECALL:** Returns to the previous channel.
- GUIDE:** Displays the program guide.
- Arrows:** Navigates in on-screen menus.
- EXIT:** Closes the on-screen menu.
- Channel:** Changes the TV channels.
- FAVORITE:** Opens the Favorite Channel List.
- MTS/SAP:** Cycles through mono, stereo, and secondary audio for analog programs.
- CH-LIST:** Opens the channel list.
- CCD:** Turns closed captioning on or off.
- AUDIO:** Selects the audio modes.

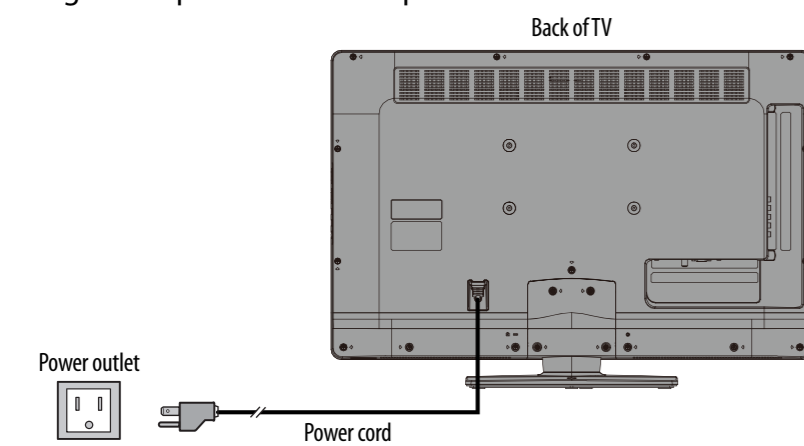
Programming your remote control

To program your universal remote control to work with your new Dynex TV, see the table for common codes. If you have problems programming your remote or need a different remote control code, visit <http://www.dynexproducts.com/remotecodes> for the latest remote control code information.

Universal remote TV codes												
Universal remote controls				Cable/Satellite/Set-top box								
One for All	Philips	RCA	Sony	Cablevision	Charter	Comcast	Cox	DirectTV	Dish Network	Time Warner	TiVo	Verizon
0054	0198, 0490	135	068, 069, 078, 096, 100, 164, 168, 229, 026	068, 069, 078, 096, 100, 164, 168, 229, 026	2002, 1204, 1423, 1517, 0171, 1963, 0463, 1463, 0842, 1326, 167, 415, 424, 450, 456, 461, 507, 523, 567, 577, 586	10171, 11204, 11326, 11463, 11517, 11641, 11780, 11785, 11892, 11963, 12002	1326, 1463	10171, 11204, 11326, 11517, 11564, 11641, 11963, 12002	720	400, 450, 461, 456, 10463, 1463, 0463	0091	0198, 0490

Connecting power

Plug the AC power cord into a power outlet.



Note
The AC power cord is attached on the back of the TV when shipped, and cannot be pulled out from the TV.

Turning on your TV for the first time

- 1 Connect the power cord (permanently attached to the TV) to a power outlet, then press **POWER**. The power indicator turns off and the *Choose Your Menu Language* screen opens.
- 2 Press **▲** or **▼** to highlight a language, then press **ENTER**. The *Choose Your Time Setting* screen opens with **Mode** highlighted.
- 3 Press **◀** or **▶** to select **Auto** or **Manual**. If you select **Auto**, the date and time are set automatically from a digital TV signal. If you select **Manual**, you can manually set the date and time. Press **ENTER**.
- 4 Press **▲** or **▼** to highlight **Home Mode** or **Retail Mode**, then press **ENTER**. If you select **Retail Mode**, a message asks you to confirm your selection. Select **Yes** or **No**. **Retail Mode** is not an energy-saving mode. The *Choose Your TV Source* screen opens.
- 5 Press **▲** or **▼** to highlight **Antenna**, **Cable**, or **Cable/Satellite Box**. If you select **Antenna** or **Cable**, your TV scans for available channels. The scan may take several minutes. **If you select Cable/Satellite Box, your TV does not scan for channels.**
- 6 To watch TV, press **INPUT**, then press **▲** or **▼** to select the video input source for your TV signal. For example, select **HDMI** if your TV is connected to a cable/satellite box using an HDMI cable or select **TV** if your TV is connected to an antenna or cable/satellite using a coaxial cable.



DYNEX

One-year limited warranty

Visit www.dynexproducts.com for details.

Need additional help?

See your *User Guide*! This comprehensive guide includes everything from basic how-to steps to more advanced features. Go to www.dynexproducts.com, then click **Support & Service**. Enter your model number in the **Search** field, then press **Enter**. Click **Support/Downloads**.

We're here for you

www.dynexproducts.com
For customer service, call:
800-305-2204 (U.S./Canada markets)

Distributed by Best Buy Purchasing, LLC
7601 Penn Avenue South, Richfield, MN USA 55423-3645

© 2011 BBY Solutions, Inc., All Rights Reserved.
DYNEX is a trademark of BBY Solutions, Inc. Registered in some countries. All other products and brand names are trademarks of their respective owners.

Free Manuals Download Website

<http://myh66.com>

<http://usermanuals.us>

<http://www.somanuals.com>

<http://www.4manuals.cc>

<http://www.manual-lib.com>

<http://www.404manual.com>

<http://www.luxmanual.com>

<http://aubethermostatmanual.com>

Golf course search by state

<http://golfingnear.com>

Email search by domain

<http://emailbydomain.com>

Auto manuals search

<http://auto.somanuals.com>

TV manuals search

<http://tv.somanuals.com>