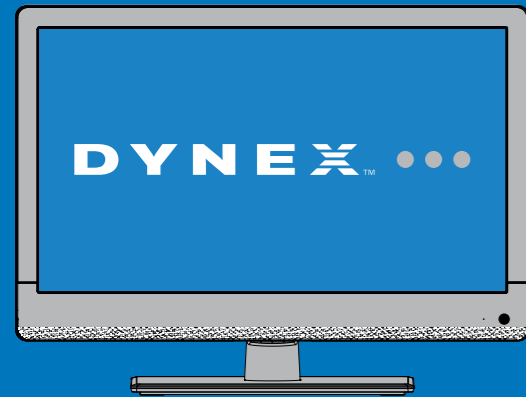


QUICK SETUP GUIDE

19" LED TV
DX-19E310NA15

Thank you

for purchasing this state-of-the-art Dynex television. We hope you enjoy the quality and reliability of this television for years to come.

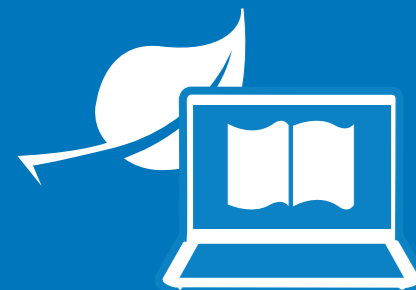


DYNEX

FIND YOUR USER GUIDE ONLINE!

We are going green so a copy of your User Guide is not provided in the box but is available online.

Go to www.dynexproducts.com, click **Support & Service**, enter your model number in the box under **Manual, Firmware, Drivers & Product Information**, then click **Search**.

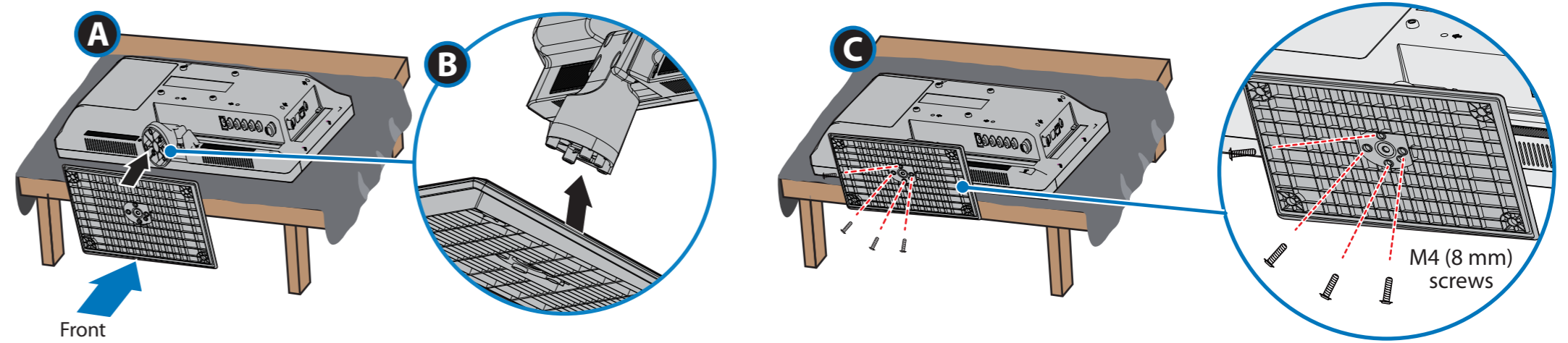


1 START HERE

How do I attach the stand to my TV? (not for wall mounting)

You'll need: Phillips screwdriver and a soft surface to lay the TV on.

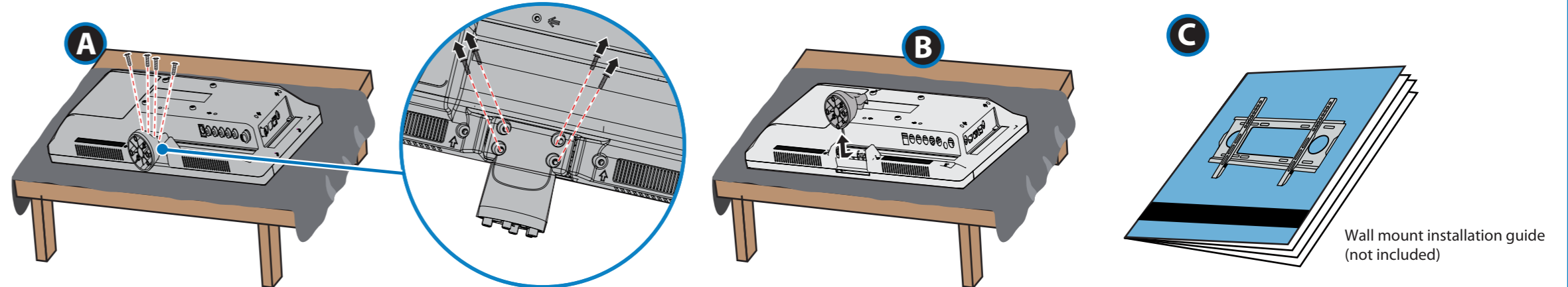
- A** Carefully place your TV face-down on a cushioned, clean surface.
- B** Find the front of the stand. Hook the tab on the stand column through the slot on the TV stand, then push the stand into place.
- C** Secure the stand to your TV with the four provided screws.



- OR -

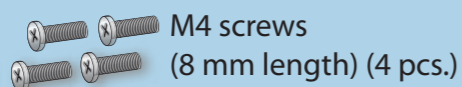
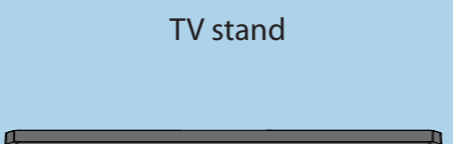
How do I prepare my TV for wall mounting? (not for use with a TV stand)

- A** Carefully place your TV face-down on a cushioned, clean surface.
- B** Remove the four screws that secure the stand column to your TV, then remove the stand column.
- C** See the instructions that came with your wall mount for more information about how to correctly mount your TV.



STOP!
Do not plug your power cable in until all other devices have been connected.

Included accessories



Which cables do you have?

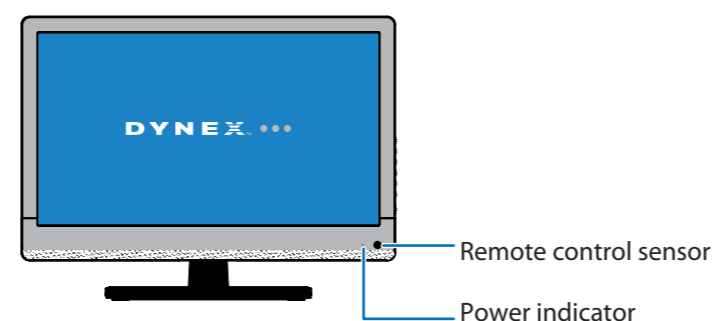
Your TV has several different jacks for connecting devices. For the best video quality, use the best available connection.

VIDEO QUALITY	JACK TYPE	CABLE CONNECTOR
BEST	HDMI video/audio	
BETTER	Component video and analog audio	
GOOD	Composite video and analog audio (AV)	
GOOD	Coaxial video/audio	

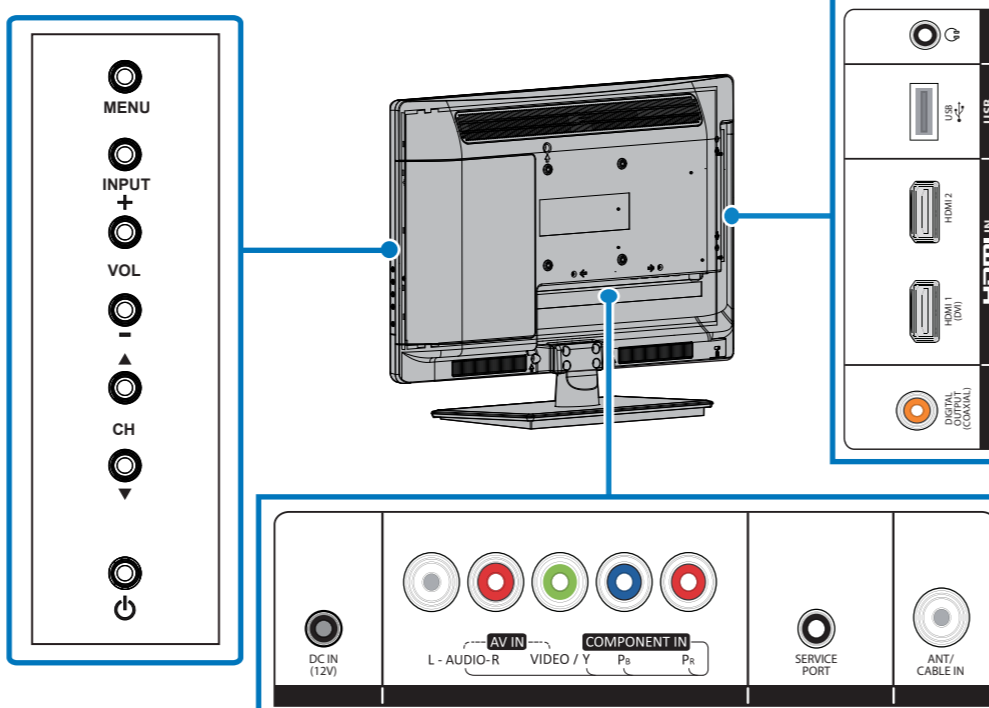
Note: You can also connect a DVI device to your TV. See your online User Guide for connection instructions. This TV only supports DVI video.

Features

Front view



Back view

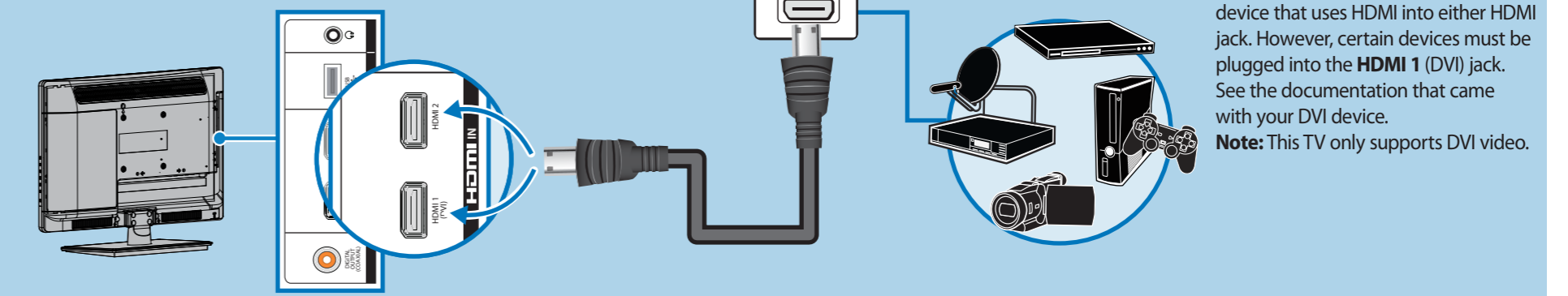


Note: Images do not necessarily represent the exact design of your television.

2 MAKING CONNECTIONS

How do I watch TV (cable or satellite box) and/or connect a device such as a DVD or Blu-ray disc player, game station, or camcorder?

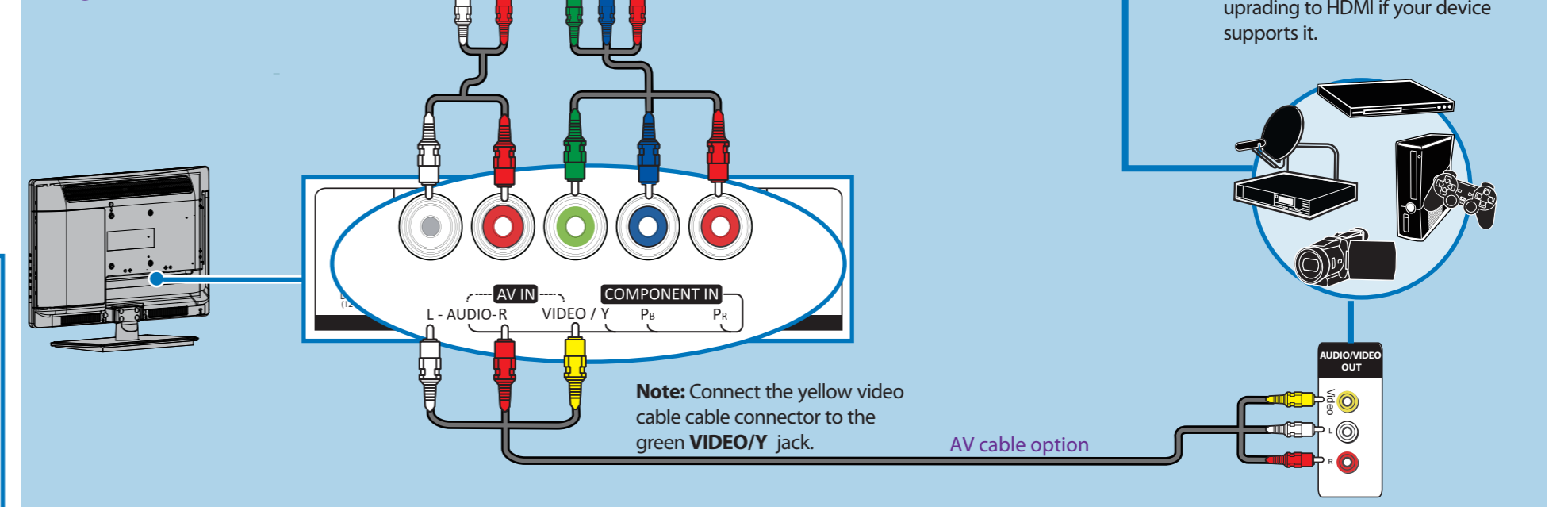
Using an HDMI cable (BEST)



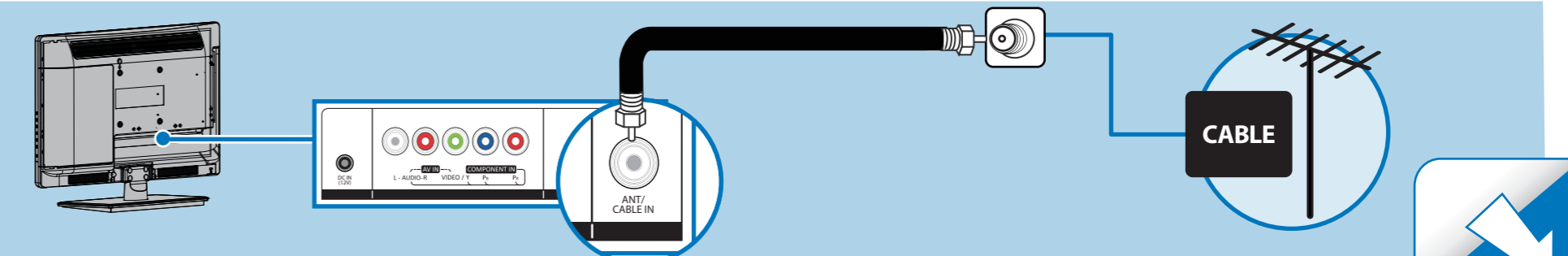
Using component cables (BETTER)

- OR -

Using an AV cable (GOOD)



How do I connect my TV to an antenna or cable wall jack?



OVER

3 CONNECTING AUDIO DEVICES

How do I connect my TV to external speakers?

Using digital audio

On your TV, set the **Digital Audio/SPDIF** option on the **Audio** menu to **PCM**.

Note: Refer to the instructions that came with your speakers for more information.

- OR -

Using analog audio

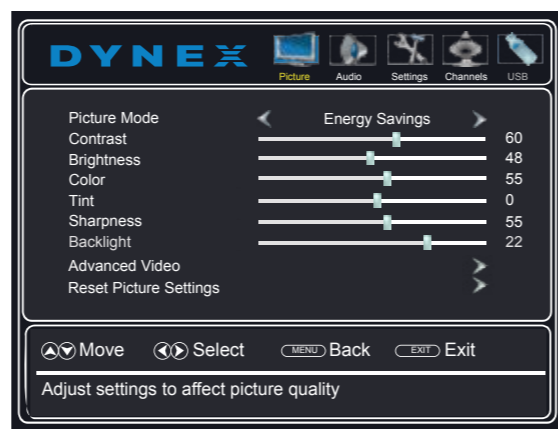
Note: Refer to the instructions that came with your speakers for more information.

Using your remote control

- INPUT SOURCE**
- TV
 - COMP/AV
 - HDMI1
 - HDMI2
 - USB(Photos)

What are my screen-size options?

- NORMAL:** Original aspect ratio is preserved. Black bars are present if content is not wide-screen (16:9).
- ZOOM:** Expands the image to fill the screen. The top and bottom of the image may be cropped.
- WIDE:** Displays content recorded in a 16:9 (wide-screen) aspect ratio.
- CINEMA:** Stretches the image at the edges, but keeps a clear image in the center.
- AUTO:** Automatically adjusts the image based on the screen size and the TV program. Select this option if you are uncertain which aspect ratio to choose. **Note: Auto** is only available when **Auto Zoom** in the **Channels** menu is set to **On**.



- Power:** Turns your TV on or off.
- MUTE:** Mutes the sound.
- Numbers:** Enter channel numbers.
- RECALL:** Returns to the previous channel.
- SLEEP:** Sets the sleep timer.
- MTS/SAP:** **Analog TV:** Cycles through mono, stereo, and secondary audio. **Digital TV:** Selects the audio language from the current channel.
- INFO:** Opens a TV status banner.
- Channel:** Changes the TV channels.
- HOME:** Opens the on-screen menu.
- FAV:** Opens the Favorite Channel List.
- EXIT:** Closes the on-screen menu.
- Arrows:** Navigate in on-screen menus.
- ENTER:** Confirms selections or changes.
- MENU:** Opens the on-screen menu.
- ASPECT:** Changes how the picture is displayed on the screen.
- CCD:** Turns closed captioning on or off.
- Volume:** Changes the volume.
- INPUT:** Opens the **INPUT SOURCE** list.
- AUDIO:** Selects the audio mode.
- PICTURE:** Selects the video mode.
- ENTER:** Enters a digital sub-channel number (for example 4.1).

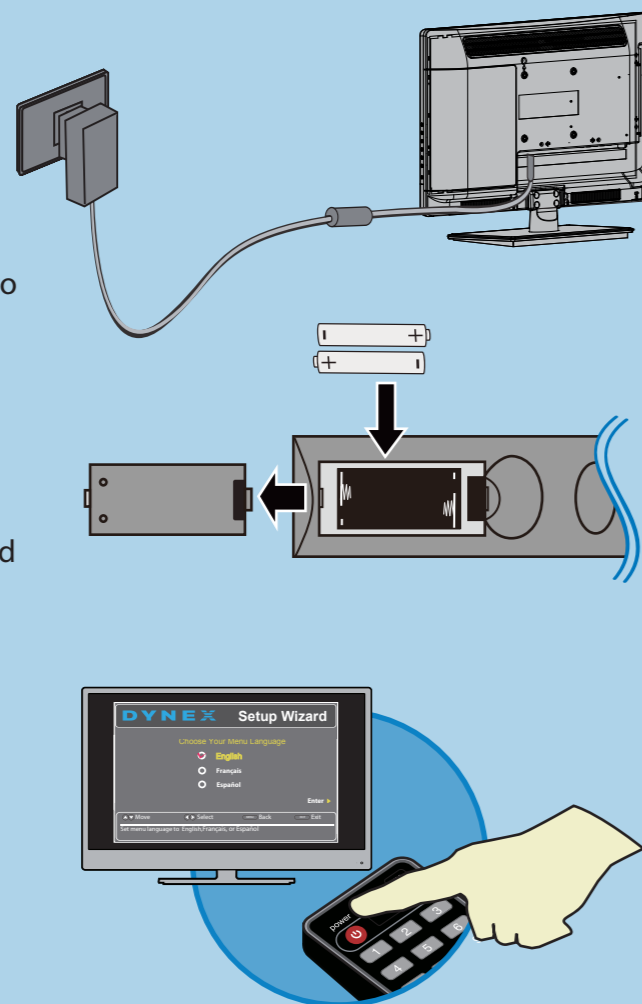
4 TURNING ON MY TV

When can I turn on my TV?

The best time to turn on your TV is after you have attached the TV stand or wall-mounted your TV and connected all devices.

When your television is in place:

- 1 Plug the AC power adapter into the DC IN connector on the back of your TV.
- 2 Plug the other end of the adapter into a power outlet.
- 3 Remove the remote control cover and install the batteries, matching the + and - symbols.
- 4 Press (power) on your remote control.
- 5 Follow the on-screen instructions.



I already have a universal remote control. How do I make it control this TV?

If you already have a universal remote control that you would like to program to work with your TV and don't want to use the included Dynex remote control, see the table for common codes.

UNIVERSAL REMOTE TV CODES	
CABLE BOX, SATELLITE BOX, OR OTHER SET-TOP BOX	
Cablevision	068, 069, 078, 096, 100, 164, 168, 229, 026
Charter	2002, 1204, 1423, 1517, 0171, 1963, 0463, 1463, 0842, 1326, 167, 415, 424, 450, 456, 461, 507, 523, 567, 577, 586
Comcast	10171, 11204, 11326, 11463, 11517, 11641, 11780, 11785, 11892, 11963, 12002
Cox	1326, 1463
Direct TV	10171, 11204, 11326, 11517, 11564, 11641, 11963, 12002
Dish Network	720
Time Warner	400, 450, 461, 456, 10463, 1463, 0463
Tivo	0091
Verizon	0198, 0490
UNIVERSAL REMOTE CONTROLS	
One for All	0054
Philips	0198, 0490
RCA	135
Sony	068, 069, 078, 096



For an up-to-date list of codes for other cable providers and universal remote brands, scan this QR code or visit www.dynexproducts.com/remotecodes.

One-year limited warranty
Visit www.dynexproducts.com for details.

Need additional help?
See your online *User Guide!* This comprehensive guide includes everything from basic how-to steps to more advanced features. A copy of your *User Guide* is not provided in the box but is available online. Go to www.dynexproducts.com, click **Support & Service**, enter your model number in the box under **Manual, Firmware, Drivers & Product Information**, then click **Search**.

We're here for you
www.dynexproducts.com
For customer service, call: **800-305-2204** (U.S./Canada markets)

DYNE X is a registered trademark of BBY Solutions, Inc. Registered in some countries. Distributed by Best Buy Purchasing, LLC, 7601 Penn Ave South, Richfield, MN 55423 U.S.A.

©2014 BBY Solutions, Inc. All Rights Reserved
1-800-305-2204
www.dynexproducts.com
Made in China

Free Manuals Download Website

<http://myh66.com>

<http://usermanuals.us>

<http://www.somanuals.com>

<http://www.4manuals.cc>

<http://www.manual-lib.com>

<http://www.404manual.com>

<http://www.luxmanual.com>

<http://aubethermostatmanual.com>

Golf course search by state

<http://golfingnear.com>

Email search by domain

<http://emailbydomain.com>

Auto manuals search

<http://auto.somanuals.com>

TV manuals search

<http://tv.somanuals.com>