

DVD +/- R/RW Writer

DVD+/-R 8X/ DVD+/-RW 4X

User's Manual

CLASS 1 LASER PRODUCT
APPAREIL A LASER DE CLASSE 1
LASER KLASSE 1
LUOKAN 1 LASERLAITE
PRODUIT LASER
CATEGORIE 1

DANGER INVISIBLE LASER RADIATION WHEN OPEN AVOID DIRECT EXPOSURE TO BEAM
VORSICHT INSICHTBARE LASERSTRAHLUNG WENN ABDECKUNG GEÖFFNET NICHT
DEM STRAHL AUSSETZEN
ATTENTION RADIATION DU FAISCEAU LASER INVISIBLE EN CAS D'OUVERTURE.
EVITER TOUTE EXPOSITION AUX RAYONS.

Copyright Statement

It is a criminal offence, under applicable copyright laws, to make unauthorised copies of copyright-protected material, including computer programs, films, broadcasts and sound recordings. This equipment should not be used for such purposes.

FCC Compliance Statement

This device complies with Part 15 of the FCC Rules. Operation is subject to the following two conditions:

1. this device may not cause harmful interference, and
2. this device must accept any interference received, including interference that may cause undesired operation.

FCC Warning Statement

This equipment has been tested and found to comply with the limits for a Class B digital device, pursuant to Part 15 of the FCC Rules. These limits are designed to provide reasonable protection against harmful interference in a residential installation. This equipment generates, uses and can emit radio frequency energy and, if not installed or used in accordance with the instructions, may cause interference to radio communications. However, television reception interference can be determined by turning the equipment off and on. The user is encouraged to correct the interference by one or more of the following measures:

- Reorient or relocate the receiving antenna
- Increase the separation between the equipment and the receiver
- Connect the equipment into an outlet different from that to which the receiver is connected
- Consult the dealer or an experienced radio/TV technician for help.

CAUTION

Changes or modifications not expressly approved by the party responsible for compliance could void the user's authority to operate the equipment.

Table of Contents

<u>INTRODUCTION</u>	<u>1</u>
SYSTEM REQUIREMENTS	2
<u>INSTALLATION</u>	<u>3</u>
HOST INTERFACE CONNECTIONS	3
HARDWARE INSTALLATION	4
DRIVER INSTALLATION	5
Windows Environment	5
SOFTWARE PACKAGE	6
Installation Under Windows Environment	6
<u>CONNECTION & OPERATION</u>	<u>7</u>
FRONT PANEL	7
REAR VIEW	8
<u>DVD REGION CODING</u>	<u>9</u>
REGION PLAYBACK CONTROL MANAGEMENT	9
REGION CODES	9
About This Drive	10
<u>TECHNICAL DATA</u>	<u>11</u>
<u>APPENDIX</u>	<u>13</u>

INTRODUCTION

Welcome to a multimedia world of ReWritable technology with DVD burning capabilities. This multiformat recordable drive presents you more backup choices other than acting as a CD-R/RW drive and as a DVD-ROM reader. The drive supports DVD Forum's DVD-R/-RW standard as well as that of DVD+RW Alliance's DVD+R/+RW enabling excellent compatibility, simple, quick recording of both CD/DVD formats, huge capacity storage, and theater-quality playback.

The bundled package of mastering software offers the creation fun of video, photos, and music editing in addition to basic data backup. You can record up to 4.7 GB, 3 hours of TV shows or movies with high-quality MPEG2 video/AC-3 sound effect, and even more appealing, author your own DVD movies – from capture to editing and burning.

Handy, easy to use with rich function, this DVD±R/RW Writer is an ideal model to enjoy the fascinating digital entertainment on your desktop and here are some more important features:

- ◆ 8X DVD+R, 8X DVD-R Write, 4X DVD+RW, 4X DVD-RW Rewrite speed, 12X DVD-ROM Read speed
- ◆ 40X CD-R, 24X CD-RW Write/Rewrite speed, 40X CD-ROM Read speed
- ◆ Adopts "MTKSuperLink" to prevent Buffer Underrun errors for CD & DVD writing
- ◆ Supports writing modes of TAO, DAO, SAO and packet writing
- ◆ Compatible with most existing DVD-ROM drives and DVD video players
- ◆ Bundled with an extensive software package

System Requirements

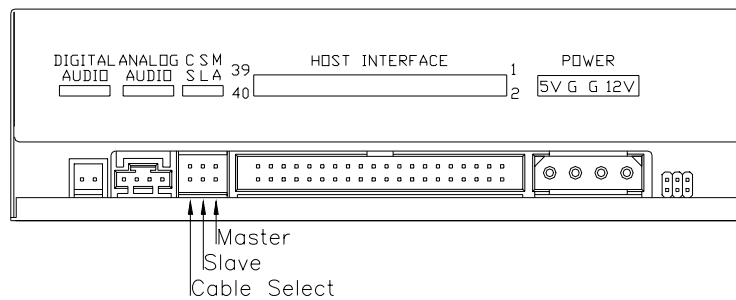
For IBM compatible PCs, the system requirements recommended are as follows:

- ◆ Pentium III, 800MHz or above with at least 256MB of memory
- ◆ Minimum 2GB free Hard Disk space
- ◆ IDE host interface supporting ATAPI MMC command
- ◆ Operating system: Microsoft Windows 98SE/ME/2000/XP

INSTALLATION

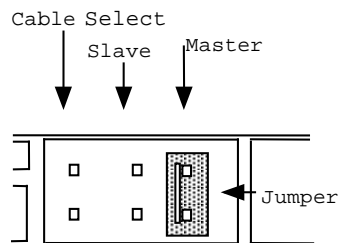
Host Interface Connections

Most current mainboards have two IDE ports (primary and secondary), which can connect two IDE cables. Two IDE cables allow you to connect up to four devices, but it is recommended that you separate IDE ports for your hard drive and this writer. This will ensure that your hard drive's performance and speed won't be affected by having the writer on the same cable.



If you connect only one device on the cable, you can set the jumper as "MASTER" or "SLAVE".

If you connect two devices (e.g. CD-ROM & CD-RW) on the same cable, set different jumpers for each device (CD-ROM as "MASTER", CD-RW as "SLAVE", and vice versa.) The same rule applies to the connection of having your hard disk and another device on the same cable.

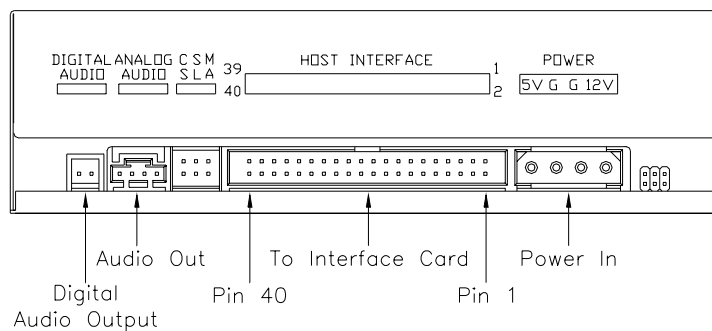


Hardware Installation

1. Turn off the power to the computer system.
2. Disconnect all cables from the back of your computer, and then remove the cover from the computer.
3. Insert the writer into one of the vacant 5.25" drive bays and secure it with screws to your PC.

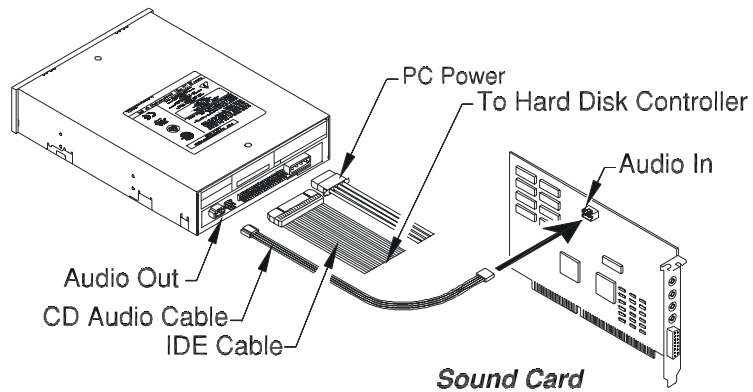
☞ *In order to prevent interference between the writer and the computer, please mount the writer using all four mounting screws.*

4. Connect the 40-pin IDE cable from one of the IDE ports on the mainboard to the 40-pin connector of your writer. Also, connect the power supply cable to the back of the writer.



☞ *Make sure to align and connect the red-edge of the IDE Cable to Pin 1 on the drive.*

5. If you have a sound card that can be connected to this writer, you can connect the drive (as Audio-out) and the sound card (as Audio-in) with a 4-pin audio cable.



If your mainboard is integrated with built-in sound system, plug the 4-pin audio cable into the CD-IN connector on the mainboard as Audio-in.

6. Re-attach the cover of your computer, and reconnect the power cord.

Driver Installation

Windows Environment

This DVD±R/RW Writer is a Plug & Play device and there is no need to install driver. Windows 98SE/ME/2000/XP can **automatically detect** the drive and load the appropriate driver.

Software Package

The bundled package combines software for **1) DVD/CD recording 2) DVDs/VCDs authoring 3) Packet Writing 4) DVD playback**, which gives you the complete solution for making audio/data CDs/DVDs of different formats, editing video and authoring DVD movies. The user-friendly interface simplifies the recording process and guides you through the creation in an easy and innovative way. No matter you are a novice or an experienced user; this is your best recording tools with the writer.

Installation Under Windows Environment

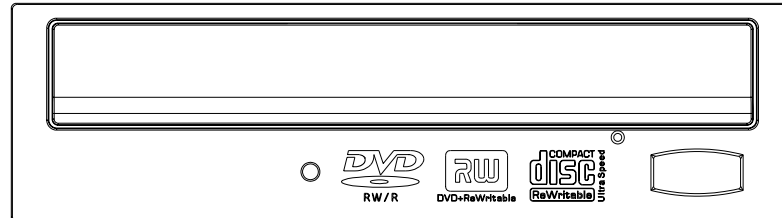
1. Insert the application CD and the installation program will run automatically. Then follow the on-screen procedures.

Or

2. Run:\setup.exe on the application CD.

CONNECTION & OPERATION

Front Panel



1. LED Indicator (dual color)

Flashes "green" while verifying or reading a disc.

Flashes "amber" while writing discs.

2. Disc Tray

Place the disc in the tray here, and then press the Close/Eject button or lightly push the tray to close it.

3. Emergency Eject Hole

If the Close/Eject button doesn't work properly and the disc tray can't be opened, you can insert a paper clip or a small rod into this hole for manual ejection.

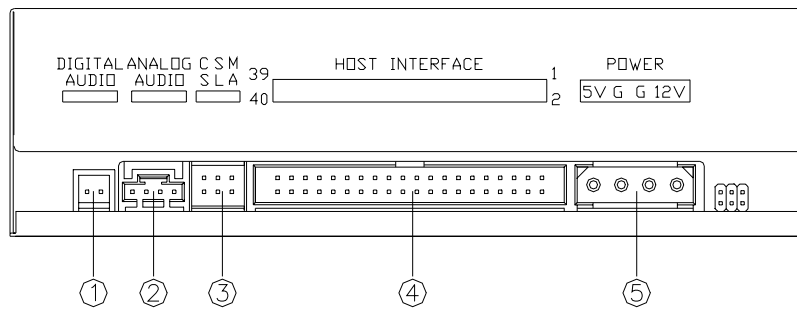
Please make sure to power off the system before you do that.

4. Close/Eject button

This button opens and closes the disc tray. If the tray is closed, pressing the button will eject it.

NOTE: *The front panel is subject to change without notice.*

Rear View



1. Digital Audio Output Connector

If your sound card has a digital audio IEC958 format connector, you can connect it to this digital audio output connector with a 2-pin audio cable.

2. Analog Audio Output Connector

This connector allows you to connect the drive to your sound card with a 4-pin audio cable.

3. Device Configuration Jumper

Set the jumper to Master, Slave or Cable Select according to your system configuration.

4. IDE Interface Connector

Plug one end of the 40-pin IDE cable here to join the 40-pin IDE connector on the motherboard. The red-edge of the IDE cable must be connected to Pin 1 of each connector.

5. Power Supply Connector

By plugging the computer's power supply cable here, you can connect the drive and your computer system.

DVD REGION CODING

Region Playback Control Management

All DVD Video Playback systems have "Region Playback Control" (RPC) which is required by Hollywood movie industry and defined by DVD Forum. You can only play DVD-Video discs with the same region code as your DVD-Video Playback system.

As for DVD-ROM drives, one kind of the DVD-Video Playback system, there are 2 types:

RPC Phase 1 (as RPC1): RPC1 drives do not have built-in hardware support for region management. DVD-ROM drives of this kind don't play a part in controlling the playback region. It solely depends on the decoder.

RPC Phase 2 (as RPC2): RPC2 drives maintain the region change count information in hardware, and in general, the region code of such drives can be changed up to 5 times by end users under some software decoder. (e.g. PowerDVD)

Region Codes

Region 1: Canada, U.S.

Region 2: Japan, Europe, South Africa, and Middle East, Egypt

Region 3: Southeast Asia and East Asia

Region 4: Australia, New Zealand, Pacific Islands, Central America, Mexico, South America, and the Caribbean

Region 5: Eastern Europe, Indian subcontinent, Africa, North Korea, and Mongolia

Region 6: China

About This Drive

This DVD±R/RW Writer is also a RPC2 DVD-ROM drive and the first region code will depend on the DVD title you play. You are allowed to modify the region code 5 times (including the initial one). After the fifth alteration, the region code will be locked and only those DVD titles of the same region code could be played afterwards, so set the code carefully.

TECHNICAL DATA

Interface	E-IDE/ATAPI
Disc Data Capacity	DVD+/-R, DVD+/-RW: Single layer 4.7GB CD-R/RW: 74min/650MB, 80min/700MB
Media supported for Writing	DVD+R, DVD-R, DVD+RW, DVD-RW, CD-R, CD-RW
Writing Formats	DVD+/-R, DVD+/-RW: DVD-ROM, DVD-Video CD: CD-DA, CD-ROM, CD-ROM XA, CD-Extra, CD-I, Mixed-Mode CD, Video CD, Photo CD, CD-Text, Bootable CD, Multi-Session
Writing modes	Track at Once, Disc at Once, Session at Once, Multi-Session, Packet Writing
Writing Speed	DVD+/-R: 2X, 4X, 6X, 8X DVD+RW: 2X, 4X DVD-RW: 1X, 2X, 4X CD-R: 16X, 24X, 32X, 40X CD-RW: 4X, 10X, 16X, 24X
Reading Compatibility	CD Audio, CD-Extra, CD-ROM/XA, CD-I, Photo CD, Video CD, CD-Text, DVD-ROM, DVD+/-R, DVD+/-RW
Reading Speed	DVD+/-R: max 8X DVD+/-RW: max. 6X CD-R: max. 40X, CD-RW: max.32X CD-ROM: max. 40X, DVD-ROM: max. 12X

Data Transfer Rate	CD -- Read CD-ROM/CD-R: 6000KB/sec (up to 40X) CD-RW: 4800KB/sec (up to 32X) CD -- Write CD-R: 6000KB/sec (up to 40X) CD-RW: 3600KB/sec (up to 24X) DVD -- Read DVD-ROM: 16224KB/sec (up to 12X) DVD -- Write DVD+/-R: 10816KB/sec (up to 8X) DVD+/-RW: 5408KB/sec (up to 4X)
Access time	DVD: 160ms (12X) CD: 130ms (40X)
Data buffer	2MB
Disc loading	Tray (motorized)
Dimensions (WxHxD)	148.6 x 41.8 x 193.3 mm
Weight	1 kg
Mounting Method	Horizontal
Temperature	
Operating	5°C to 45°C
Non-operating	-20°C to 60°C
Humidity	
Operating	8% ~ 80%RH
Non-operating	5% ~ 95%RH

APPENDIX

DVD Forum

The DVD Forum is an international organization made up of companies using or manufacturing digital versatile disc (DVD)-related products. The Forum was created in 1995 when ten companies (Hitachi, Matsushita, Mitsubishi, Philips, Pioneer, Sony, Thomson Multimedia, Time Warner, Toshiba Corporation, and Victor) joined for the common purpose of promoting DVD worldwide and establishing standardized formats of each DVD application for the marketplace.

DVD+RW Alliance

The DVD+RW Alliance is a voluntary group of industry-leading personal computing manufacturers, optical storage and electronics manufacturers including Dell, Hewlett-Packard Company, MCC/Verbatim, Philips Electronics, Ricoh Company Ltd., Sony Corporation, Thomson multimedia and Yamaha Corporation. The group seeks to develop and promote a universally compatible, rewritable DVD format to enable true convergence between personal computing and consumer electronics products.

DVD FLLC (Format, Logo, Licensing, Corporation)

DVD Format/Logo Licensing Corp (DVD FLLC) was established in 2000 to handle issuing of the DVD specifications, granting licenses to manufacturers and policing the use of the DVD logos. All manufacturers of hardware, discs and related DVD products must be licensed and first products verified to ensure that all players will play all discs. The correct logos must be used for the appropriate products in the appropriate way.

DVD Formats

DVD Video

Popular format for viewing movies and other visual entertainment with high quality MPEG2 video & digital surround sound. Enables multi-language, multi-subtitling and other advanced user features.

DVD Audio

This audio-only storage format doubles the fidelity of sound effect comparing with a standard CD as well as longer playing times, copy protection and anti-piracy measures...etc.

DVD-ROM (DVD Read Only Memory)

Read-only DVD discs used for storing data and interactive sequences as well as audio and video.

DVD-R (DVD Recordable)

A write-once format used to master DVD Video and DVD-ROM discs. Good for archiving data and recording home movie discs.

DVD-RW (DVD ReWritable)

The DVD Forum's format with a read-write capacity of 4.7GB per side. It can be re-written up to 1000 times. Suitable for backups, DVRs, and movies.

DVD+R (DVD Recordable)

A write-once format. Good for archiving data and recording DVD movies.

DVD+RW (DVD ReWritable)

The DVD+RW Alliance's fast, 1000-times-rewritable format. Excellent for backups, good for movies, real-time video recording & random data burning

DVD-RAM (DVD Random Access Memory)

The DVD Forum's 100,000-times-rewritable format. Suitable for backups and DVRs.

Reference

For more related information about the organizations and formats definition of DVD, please refer to the following web sites:

<http://www.dvdrw.com>

<http://www.dvdforum.org>

<http://www.licensing.philips.com>

<http://www.discronics.co.uk>

<http://www.dvdflc.co.jp>

Graveur deDVD +/- R/RW

DVD+/-R 8X/ DVD+/-RW 4X

Guide de l'utilisateur

**CLASS 1 LASER PRODUCT
APPAREIL A LASER DE CLASSE 1
LASER KLASSE 1
LUOKAN 1 LASERLAITE
PRODUIT LASER
CATEGORIE 1**

CAUTION CLASS 3B VISIBLE AND INVISIBLE LASER RADIATION WHEN OPEN.
AVOID DIRECT EXPOSURE TO BEAM.

VORSICHT KLASSE 3B SICHTBARE UND UNSICHTBARE LASERSTRAHLUNG WENN
GEOFFNET. NICHT IN DEN STRAHL SEHEN.

ATTENTION RADIATION DU FAISCEAU LASER VISIBLES ET INVISIBLES DE CLASSE 3B
EN CAS D'OUVERTURE. EVITER TOUTE EXPOSITION AUX RAYONS

Déclaration du Copyright

Sous la protection des lois sur le droit de propriété, toute copie non-autorisée du matériel protégé est interdite, y compris, les programmes informatiques, les films, les diffusions et les enregistrements sonores. Cet équipement ne doit pas être utilisé à de telles fins.

Déclaration de Conformité FCC

Cet appareil est conforme aux directives de l'Article 15 des Réglementations de la FCC. Son opération est sujette aux deux conditions suivantes:

1. Cet appareil ne doit pas provoquer d'interférence néfaste et
2. Cet appareil doit accepter toute interférence reçue, y compris les interférences provoquant une opération indésirable.

FCC Warning Statement

Note: Cet équipement a été testé et vérifié être conforme aux limites pour un périphérique numérique de catégorie B, selon l'Article 15 des réglementations de la FCC. Ces limites sont conçues pour fournir une protection raisonnable contre toute interférence néfaste dans une installation résidentielle. Cet équipement génère, utilise et peut émettre une énergie de fréquence radio et, s'il n'est pas installé et utilisé selon les instructions, peut provoquer une interférence néfaste pour les communications radio. Cependant, aucune garantie n'est faite de ce qu'une telle interférence ne se produira pas dans une installation particulière. Si cet équipement provoque une interférence néfaste pour les réceptions radio et TV, veuillez essayer de la corriger avec une des mesures suivantes:

- Réorientez ou relocalisez l'antenne réceptrice.
- Augmentez la séparation entre l'équipement et le récepteur.
- Connectez l'équipement sur une prise d'un circuit différent de celui sur lequel le récepteur est branché.
- Consultez votre vendeur ou un technicien spécialisé radio/TV pour toute aide supplémentaire.

PRECAUTION

Tout changement ou toute modification non autorisée expressément par la partie responsable pour l'appareil annule le droit d'opération de l'utilisateur sur cet équipement.

Table de matières

INTRODUCTION	1
BESOINS SYSTEME	2
INSTALLATION	3
CONNEXIONS DE L'INTERFACE HOTE	3
INSTALLATION DU MATERIEL	4
INSTALLATION DU LECTEUR	5
Environnement Windows	5
PROGICIEL	6
Installation sous environnement Windows	6
CONNEXION & FONCTIONNEMENT	7
PANNEAU AVANT	7
VUE ARRIERE	8
CODAGE REGIONS DVD	9
GESTION DE LA COMMANDE DE LECTURE REGIONALE.	9
LES CODES DE REGION	9
A propos de ce lecteur	10
DONNEES TECHNIQUES	11
APPENDICE	13

INTRODUCTION

Bienvenue dans le monde multimédia de la technologie réinscriptible dotée de capacités DVD ardentes. Outre le rôle de lecteur CD-R/RW et de lecteur DVD-ROM, ce graveur DVD \pm R/RW multi formats vous offre plus de choix en matière de sauvegarde. Le lecteur supporte les standards du Forum DVD-R/-RW ainsi que le format DVD+RW Alliance DVD+R/+RW qui permet une excellente compatibilité, une énorme capacité de stockage, un enregistrement simple et rapide des deux formats CD/DVD ainsi que la qualité d'écoute cinéma.

Cette offre groupée de logiciel de gravage permet la création de vidéos amusantes, de photos et d'édition de morceaux de musique en plus des sauvegardes de données de base. Vous pouvez enregistrer jusqu'à 4.7 GO, 3 heures de programme TV ou de films avec un effet son MPEG2 vidéo/AC-3 de haute qualité, et encore plus attrayant, créer vos propres films DVD (de la capture à l'édition jusqu'à l'inscription en mémoire morte (burning)).

Pratique, facile à utiliser avec une fonctionnalité riche, ce graveur DVD \pm R/RW est le modèle idéal pour apprécier la distraction numérique fascinante sur votre ordinateur de bureau et en voici les fonctions les plus importantes :

- ◆ Vitesse de gravage/réinscription 8X DVD+R, 8X DVD-R, 4X DVD+RW, 4X DVD-RW, vitesse de lecture 12X DVD-ROM.
- ◆ Vitesse de gravage/réinscription 40X CD-R, 24X CD-RW, Vitesse de lecture 40X CD-ROM
- ◆ Adopte "MTKSuperLink" afin d'éviter les erreurs de gravage de CD & DVD.
- ◆ Supporte les modes d'écriture de TAO, DAO, SAO et l'écriture en paquets.
- ◆ Compatible avec la plupart des lecteurs DVD-ROM et lecteurs DVD existant sur le marché.
- ◆ Groupé avec une vaste offre logiciel.

Besoins système

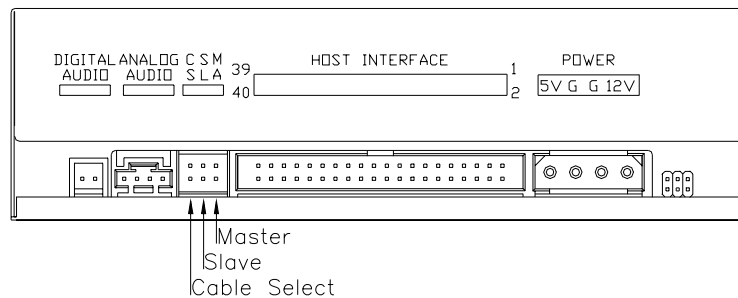
Pour les PC compatibles IBM les besoins système recommandés sont les suivants :

- ◆ Pentium III, 800MHz ou supérieur avec une mémoire de 256MB au minimum.
- ◆ 2GB d'espace libre sur le disque
- ◆ Une interface hôte IDE supportant la commande ATAPI MMC.
- ◆ Système d'exploitation : Microsoft Windows 98SE/ME/2000/XP

INSTALLATION

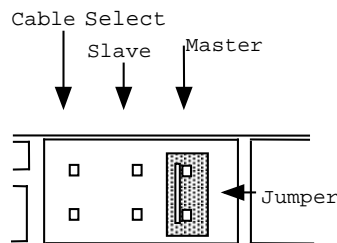
Connexions de l'interface hôte

La majorité des cartes mères actuelles sont équipées de ports IDE (primaire et secondaire) qui peuvent connecter deux câbles IDE. Deux câbles IDE vous permettent de connecter jusqu'à quatre périphériques, mais il est recommandé de séparer les ports IDE de votre disque dur et de ce graveur. Cela garantira que la performance et la vitesse de votre disque dur ne seront pas affectées par le fait que le graveur est sur le même câble.



Si vous connectez un seul périphérique sur le câble, vous pouvez régler le cavalier sur "MASTER" ou "SLAVE".

Si vous connectez un périphérique (par ex. CD-ROM & CD-RW) sur le même câble, réglez des cavaliers différents pour chaque périphérique (CD-ROM en tant que "MASTER", CD-RW comme "SLAVE" et réciproquement.) La même règle s'applique à la connexion du disque dur et d'un autre périphérique sur le même câble.

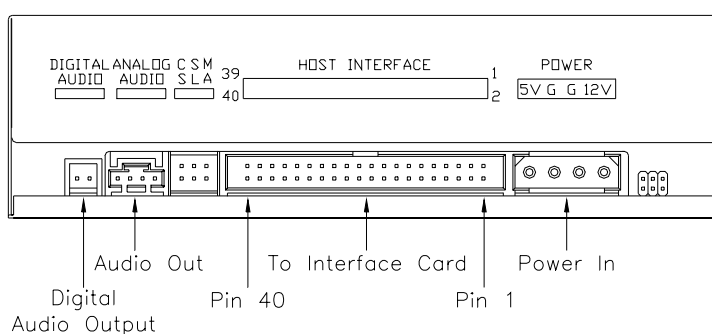


Installation du matériel

3. Eteignez l'ordinateur.
4. Débranchez tous les câbles à l'arrière de l'ordinateur puis, retirez le couvercle de l'ordinateur.
3. Insérez le graveur dans l'un des chassis de lecteur 5.25" libres puis fixez-le à votre PC à l'aides de vis.

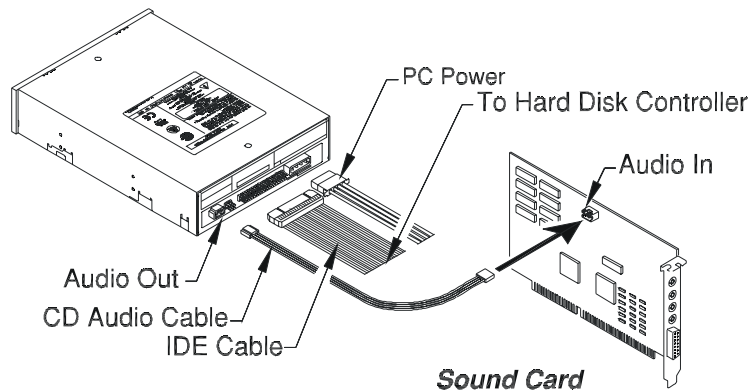
☞ *Pour éviter toute interférence entre le graveur et l'ordinateur, veuillez assembler le graveur au moyen des quatre vis de montage.*

4. Connectez le câble IDE 40-broches de l'un des ports IDE situés sur la carte-mère au connecteur 40-broches du graveur. Connectez également le câble d'alimentation électrique au dos du graveur.



☞ *Veillez à aligner et à connecter le bord rouge du câble IDE à la broche du graveur.*

6. Si vous avez une carte son qui peut être connectée à ce graveur, vous pouvez connecter le lecteur (comme Sortie Audio) et la carte son (comme Entrée Audio) au moyen d'un câble à quatre broches.



Si votre carte-mère est équipée d'une carte son intégrée, branchez le câble audio 4 broches dans le connecteur CD-IN de la carte-mère comme entrée Audio.

7. Remettez le couvercle de l'ordinateur et rebranchez le cordon d'alimentation.

Installation du lecteur

Environnement Windows

Ce graveur DVD±R/RW est un périphérique Plug & Play et il n'y a pas besoin d'installer de pilote. Windows 98SE/ME/2000/XP peut **détecter automatiquement** le lecteur et charger le pilote approprié.

Progiciel

L'offre logiciel inclut les logiciels **1)** d'enregistrement DVD/CD **2)** de création de DVD/VCD **3)** d'écriture en paquets **4)** de lecture DVD, qui vous offrent la solution complète pour faire des CD/DVD audio ou de données de différents formats, d'éditer des vidéos et de créer des films DVD. L'interface conviviale simplifie le processus d'enregistrement et vous guide tout au long de la création d'une manière facile et innovante. Peu importe que vous soyez novice ou expérimenté, c'est le meilleur outil d'enregistrement avec le graveur.

Installation sous environnement Windows

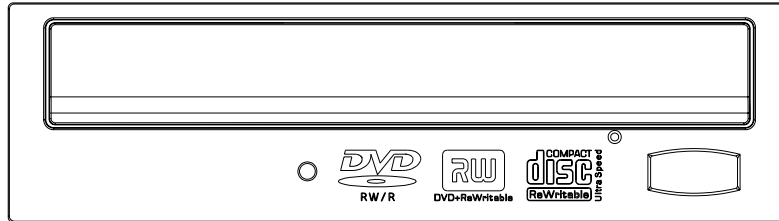
3. Insérez le CD d'application et le programme d'installation s'exécute automatiquement. Puis suivez les procédures à l'écran.

Ou bien,

4. Exécutez **:\setup.exe** sur le CD d'application.

CONNEXION & FONCTIONNEMENT

Panneau avant



1. Indicateurs DEL (deux couleurs)

Clignote en "vert" pendant la vérification ou la lecture d'un disque.
Clignote en "jaune" pendant le gravage des disques.

2. Plateau à disque

Placez le disque dans ce plateau, puis appuyez sur le bouton Fermer/Éjecter ou poussez légèrement sur le plateau pour le fermer.

3. Trou d'éjection d'urgence

Si le bouton Fermer/Éjecter ne fonctionne pas correctement et que le plateau à disque ne peut pas s'ouvrir, vous pouvez insérer un trombone ou une ficelle dans ce trou pour provoquer une éjection manuelle.

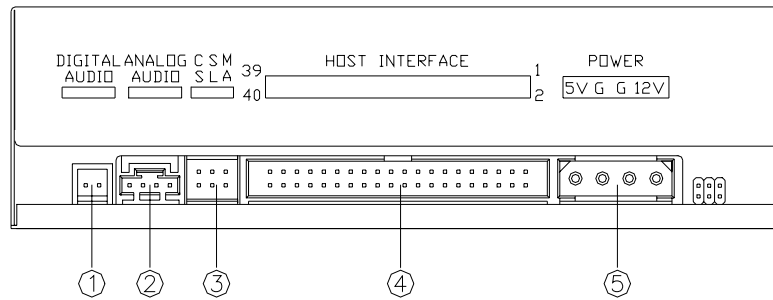
Veillez à éteindre le système avant d'effectuer cette opération.

4. Bouton Fermer/Éjecter

Ce bouton permet d'ouvrir et de fermer le plateau à disque. Si le plateau est fermé, appuyer sur le bouton éjecte le disque.

REMARQUE: Le panneau avant est susceptible d'être modifié sans notification préalable.

Vue arrière



1. Connecteur numérique sortie Audio

Si la carte son est dotée d'un connecteur de format audio numérique IEC958 vous pouvez la brancher au connecteur de sortie audio numérique au moyen d'un câble audio à 2 broches.

2. Connecteur de sortie Audio analogique

Ce connecteur vous permet de brancher le lecteur à votre carte son au moyen d'un câble audio à 4 broches.

3. Cavalier de configuration de périphérique

Réglez le cavalier sur 'Maitre' ou 'Esclave' ou 'Sélectionner câble' selon la configuration du système.

4. Connecteur d'interface IDE

Branchez une extrémité du câble IDE à 40-broches à cet endroit pour raccorder le connecteur IDE à 40-broches à la carte-mère. Le bord rouge du câble IDE doit être connecté à la broche 1 de chaque connecteur.

5. Connecteur d'alimentation électrique

En branchant le câble d'alimentation électrique de l'ordinateur à cet endroit, vous pouvez connecter le lecteur et votre ordinateur.

CODAGE REGIONS DVD

Gestion de la commande de lecture régionale.

Tous les systèmes de lecture vidéo de DVD sont équipés d'une "commande de lecture régionale" (RPC) exigée par l'industrie du film hollywoodienne et définie par le Forum DVD. Vous pouvez lire uniquement des disques DVD vidéo qui ont le même code de région que votre système de lecture vidéo DVD

En ce qui concerne les lecteurs DVD-ROM pour le système de lecture DVD-Vidéo, il y a deux types :

RPC Phase 1 (RPC1): les lecteurs RPC1 ne sont pas équipés de support matériel intégré pour la gestion des zones régionales. Les lecteurs DVD ROM de ce genre ne jouent aucun rôle dans le contrôle de la région de lecture. Ce contrôle régional dépend uniquement du décodeur.

RPC Phase 2 (RPC2): Les lecteurs RPC2 maintiennent les informations de compte de changement de zone régionale dans le matériel et, en général, la région de tels lecteurs peut être modifiée jusqu'à cinq fois par l'utilisateur final au moyen de certains logiciels de décodage. (par exemple : PowerDVD) .

Les codes de région

Région 1: Canada, U.S.

Région 2: Japon, Europe, Afrique du Sud, Moyen Orient et Egypte

Région 3: Asie du Sud-est et Asie de l'Est

Région 4: Australie, Nouvelle Zélande, Iles du Pacifique, Amérique centrale, Mexique, Amérique latine et les Caraïbes

Région 5: Europe de l'Est, le sous continent indien, Afrique, Corée du Nord et Mongolie

Région 6: Chine

A propos de ce lecteur

Ce graveur DVD±R/RW est également un lecteur RPC2 DVD-ROM et le premier code de zone régionale dépend du titre du DVD lu. Vous êtes autorisé à changer la région 5 fois (y compris la région initiale). Au bout de la cinquième modification, le code de région est verrouillé et seuls les titres de DVD de la même région pourront être lus, par conséquent, réglez attentivement le code.

DONNEES TECHNIQUES

Interface	E-IDE/ATAPI
Capacité du disque de données	DVD+/-R, DVD+/-RW: Une couche 4.7GO CD-R/RW: 74min/650MO, 80min/700MO
Média supporté pour l'écriture	DVD+R, DVD-R, DVD+RW, DVD-RW, CD-R, CD-RW
Formats d'écriture	DVD+/-R, DVD+/-RW: DVD-ROM, DVD- Vidéo CD: CD-DA, CD-ROM, CD-ROM XA, CD- Extra, CD-I, Mode mixte CD, Vidéo CD, Photo CD, CD-Texte, CD amorçable, Multi-Session
Modes d'écriture	TAO (Track at once, piste par piste), DAO (Disc At Once, un disque à la fois), SAO (Session at once, une session à la fois), Multi-session, par paquet incrémentiel
Vitesse d'écriture	DVD+/-R: 2X, 4X, 6X, 8X DVD+RW: 2X, 4X DVD-RW: 1X, 2X, 4X CD-R: 16X, 24X, 32X, 40X CD-RW: 4X, 10X, 16X, 24X
Compatibilité de lecture	CD Audio, CD-Extra, CD-ROM/XA, CD-I, Photo CD, Video CD, CD-Texte, DVD- ROM, DVD+/-R, DVD+/-RW
Vitesse de lecture	DVD+/-R: max 8X DVD+/-RW: max. 6X CD-R: max. 40X, CD-RW: max.32X CD-ROM: max. 40X, DVD-ROM: max. 12X

Taux de transfert de données	CD -- Lecture CD-ROM/CD-R: 6000KO/sec (jusqu'à 40X) CD-RW: 4800KO/sec (jusqu'à 32X) CD -- Ecriture CD-R: 6000KO/sec (jusqu'à 40X) CD-RW: 3600KO/sec (jusqu'à 24X) DVD -- Lecture DVD-ROM: 16224KO/sec (jusqu'à 12X) DVD -- Ecriture DVD+/-R: 10816KB/sec (jusqu'à 8X) DVD+/-RW: 5408KB/sec (jusqu'à 4X)
Temps d'accès	DVD: 160ms (12X) CD: 130ms (40X)
Tampon données	2MB
Chargement du disque	Plateau (motorisé)
Dimensions (LxHxprofondeur)	148.6 x 41.8 x 193.3 mm
Poids	1 kg
Mode d'assemblage	Horizontal
Température	
En fonctionnement	5°C à 45°C
Hors fonctionnement	-20°C à 60°C
Humidité	
En fonctionnement	8% ~ 80%RH
Hors fonctionnement	5% ~ 95%RH

APPENDICE

Forum DVD

Le forum DVD est une organisation internationale constituée d'entreprises utilisant ou fabriquant les produits relatifs aux disques numériques polyvalents (DVD). Le Forum fut créé en 1995 avec 10 entreprises (Hitachi, Matsushita, Mitsubishi, Philips, Pioneer, Sony, Thomson Multimedia, Time Warner, Toshiba Corporation et Victor) qui se sont jointes dans le but commun de faire la promotion du DVD dans le monde entier et d'établir des formats normalisés pour chaque application DVD sur le marché.

DVD+RW Alliance

DVD+RW Alliance est une groupe de volontaires leaders de l'industrie des fabricants d'ordinateurs personnels, de stockage optique et des fabricants d'électronique parmi lesquels Dell, Hewlett-Packard Company, MCC/Verbatim, Philips Electronics, Ricoh Company Ltd., Sony Corporation, Thomson multimedia et Yamaha Corporation. Le groupe cherche à développer et à promouvoir un format de DVD réinscriptible universellement compatible afin de permettre une réelle convergence entre l'informatique personnelle et les produits électroniques de consommation.

DVD FLLC (Format, Logo, Licensing, Corporation)

DVD Format/Logo Licensing Corp (DVD FLLC) fut établi en 2000 pour s'occuper de la publication des spécifications DVD, accorder des autorisations aux fabricants et surveiller l'utilisation des logos DVD. Tous les fabricants de matériel, de disques et produits relatifs au DVD doivent être autorisés et les produits sont d'abord vérifiés pour s'assurer que tous les lecteurs liront les disques. Le logo correct doit être utilisé pour le produit approprié de la manière appropriée.

Formats DVD

DVD Vidéo

Format populaire de visualisation de films et autres divertissements visuels avec une vidéo MPEG2 de haute qualité & un son numérique environnant. Permet la fonction multi-langues, multi-sous-titrage et d'autres fonctions avancées.

DVD Audio

Ce format de stockage audio uniquement double la fidélité de l'effet son par rapport à un CD standard et permet une répétitions des lectures qui dure plus longtemps, l'interdiction de la copie et des mesures anti piratage etc..

DVD-ROM (DVD Read Only Memory)

Ce sont les disques DVD mémoire morte utilisés pour le stockage des données et les séquences interactives aussi bien que pour les données audio et video.

DVD-R (DVD Recordable)

Un format écriture directe utilisé pour maîtriser les disques DVD vidéo et DVD-ROM. Convient à l'archivage de données et à l'enregistrement de disque de films.

DVD-RW (DVD ReWritable)

Le format du Forum DVD avec capacité de réinscription de 4.7MO par face. Il peut être réinscrit jusqu'à 1000 fois. Convient aux sauvegardes, DVR (enregistrements DVD et films).

DVD+R (DVD Recordable)

Un format écriture directe. Convient à l'archivage de données et à l'enregistrement de films DVD.

DVD+RW (DVD ReWritable)

Le format DVD+RW Alliance rapide, est un format réinscriptible 1000 fois. Excellent pour les sauvegardes, les films l'enregistrement vidéo en temps réel et l'inscription en mémoire morte aléatoire de données.

DVD-RAM (DVD Random Access Memory)

Le format du Forum DVD réinscriptible 100 000 fois. Convient aux sauvegardes et DVR.

Référence

Pour obtenir plus d'informations relatives aux organisations et à la définition des formats DVD, veuillez vous référer aux sites web suivants:

<http://www.dvdrw.com>

<http://www.dvdforum.org>

<http://www.licensing.philips.com>

<http://www.discronics.co.uk>

<http://www.dvdfllc.co.jp>

3100552441
Version 1.0
May 2004

Free Manuals Download Website

<http://myh66.com>

<http://usermanuals.us>

<http://www.somanuals.com>

<http://www.4manuals.cc>

<http://www.manual-lib.com>

<http://www.404manual.com>

<http://www.luxmanual.com>

<http://aubethermostatmanual.com>

Golf course search by state

<http://golfingnear.com>

Email search by domain

<http://emailbydomain.com>

Auto manuals search

<http://auto.somanuals.com>

TV manuals search

<http://tv.somanuals.com>