



Dynex ATX 400 Watt Power Supply

DX-400WPS

USER GUIDE

Dynex ATX 400 Watt Power Supply

Contents

Safety information	1
Safety regulations	1
Important safety instructions	1
Power supply components and features	1
Installing the power supply	1
Troubleshooting	1
Specifications	2
Legal notices	2
FCC warning	2
UL statement	2
Copyright and disclaimer	2
1 year limited warranty	3

Safety information

Safety regulations

The power supply meets safety guidelines and regulations for UL, cUL, and FCC.



Important safety instructions

- Do not place your system near a radiator or other heat source.
- Do not place your system close to a source of strong magnetic fields.
- Do not place your system in a moist or dusty environment, or in an area subject to strong vibration.
- Do not place your system in direct sunlight.
- Your computer must operate at a stable AC input voltage.
- Your computer should not be situated directly next to a heater or another heat source.
- Do not open the cover on the power supply case. Dangerous voltages are present inside the cover. Your warranty is void if the cover is removed.
- Never operate the device with wet or moist hands.
- Never place items in the openings or fan of the power supply.
- Make sure that the power cord is plugged into a powered electrical outlet.
- Make sure that the power cord is plugged into the power supply.
- Make sure that you connect your power supply properly. Check your motherboard and graphic card manuals for compatibility before connecting the power supply to any of your devices.

Caution: Check the red power supply voltage switch setting before installation. The setting should be the same as your local power voltage (115 V for North America and 230 V for Europe and other countries). Change the voltage setting if necessary. Failure to take this precaution could result in damage to your equipment and could void your warranty.

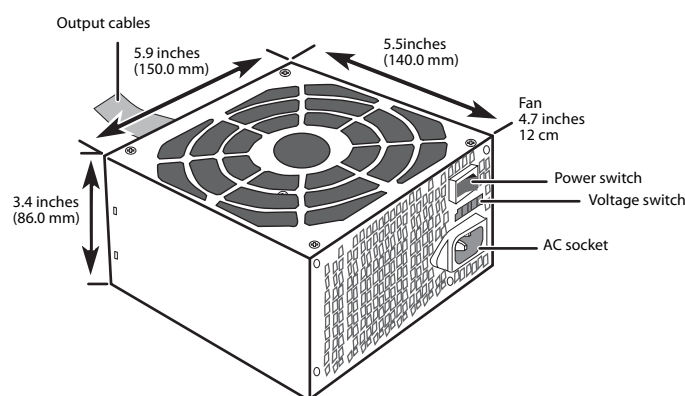
Note: If the power supply does not work correctly, contact our service center immediately.

Power supply components and features

Power supply features include:

- Complies with Intel ATX 12V version 2.2 and is downward compatible with V2.0
- Compatible with Intel VIV and AMD LIVE interfaces
- Supports Intel and AMD dual-core and multi-core processors
- Energy Star compliant
- Internal fan speed control function
- Low Acoustic noise
- Output over-current and over-voltage, and short circuit protection
- 70% min. efficient under full load

Power supply components include:



Installing the power supply

To install the new power supply:

- 1 Turn off your computer.
- 2 Unplug the power cord from your computer.
- 3 Open your computer case. For instructions, see your computer's user guide.
- 4 Disconnect power supply cables from the system board and peripheral devices, such as hard drives, optical drives, and fans. Make sure that you note where all the power connectors are because you will need to reconnect the power supply cables.
- 5 Remove the old power supply. For instructions, see your computer's user guide.
- 6 Install the new power supply and secure it to the computer case with the appropriate screws.
- 7 Reconnect all power supply cables using the notes you made in step 4. Make sure that each connection is secure.
- 8 Close the computer case.
- 9 Plug the power cord into your computer, then turn your computer on.

Troubleshooting

If your new power supply is not working correctly, try the following:

- Make sure that the computer power cord is firmly plugged into the power cord connector on your computer.
- If you are using a surge protector, make sure that it is plugged in and turned on.
- Make sure that the wall outlet is supplying power. For example, plug a lamp into the outlet and turn it on.

- Make sure that the red voltage switch (located on the back of the power supply) is set to the correct voltage setting. The setting for the United States is 115 V. The setting for Europe and other countries is 230 V.
- Make sure that the system board power supply cable is securely connected to the system board connector (24 pin or 20 pin).
- Make sure that all power supply cables to peripheral devices, such as hard drives, optical drives, and fans, are securely connected. Any loose power cable connections may cause the power supply operate incorrectly.
- The power supply may be overloaded. Unplug any unnecessary components, such as extra drives, then try again.
- If the power supply is very hot, check the case fans and the power supply fan. Replace any faulty case fans, then try again.

Specifications

Input

Voltage	USA: 115 Vac Europe and others: 230 Vac
Frequency	60 Hz-50 Hz
Current	10.0 A (max.) at 115 Vac/60 Hz 5.0 A (max.) at 230 Vac/50 Hz

Parameter	Minimum	Nominal	Maximum	Units
Vin (115 VAC)	90	115	132	VRMS
Vin (230 VAC)	180	230	264	VRMS
Vin frequency	47	---	63	Hz

Output

Voltage	Max. load	Min. load	Regulation	Ripple and Noise
+3.3 V	30 A	0.5 A	±5%	50 mV
+5 V	28 A	0.3 A	±5%	50 mV
+12 V1	14 A	1 A	±5%	120 mV
+12 V2	15 A	1 A	±5%	120 mV
-12 V	0.3 A	0 A	±10%	120 mV
+5 Vsb	2.5 A	0 A	±5%	50 mV

DC output power distribution

Maximum output: 400 Watts

Combined 3.3 V and 5 V: 120 Watts

- Dimensions:
 - 5.5 × 3.4 × 5.9 inches (W × H × L)
 - 150 × 86 × 140 mm (W × H × L)

Legal notices

FCC warning

This equipment may generate or use radio frequency energy. Changes or modifications to this equipment may cause harmful interference unless the modifications are expressly approved in the instruction manual. The user could lose the authority to operate this equipment if an unauthorized change or modification is made.

Caution: Any change or modification to the player not expressly approved by the manufacturer or its authorized parties could void your authority to operate the player.

UL statement

Any information or documentation provided to you involving UL Mark services is provided on behalf of Underwriters Laboratories, Inc. Products that bear the UL Mark are identical to those that were evaluated by UL and found to be technically compliant with the UL's applicable requirements.

For further information regarding the use of UL marks, please visit the UL Website at www.ul.com.tw.



1 year limited warranty

Dynex Products ("Dynex") warrants to you, the original purchaser of this new **DX-400WPS** ("Product"), that the Product shall be free of defects in the original manufacture of the material or workmanship for a period of 365 days from the date of your purchase of the Product ("Warranty Period"). This Product must be purchased from an authorized dealer of Dynex brand products and packaged with this warranty statement. This warranty does not cover refurbished Product. If you notify Dynex during the Warranty Period of a defect covered by this warranty that requires service, terms of this warranty apply.

How long does the coverage last?

The Warranty Period lasts for 365 days from the date you purchased the Product. The purchase date is printed on the receipt you received with the product.

What does this warranty cover?

During the Warranty Period, if the original manufacture of the material or workmanship of the Product is determined to be defective by an authorized Dynex repair center or store personnel, Dynex will (at its sole option): (1) repair the Product with new or rebuilt parts; or (2) replace the Product at no charge with new or rebuilt comparable products or parts. Products and parts replaced under this warranty become the property of Dynex and are not returned to you. If service of Products and parts are required after the Warranty Period expires, you must pay all labor and parts charges. This warranty lasts as long as you own your Dynex Product during the Warranty Period. Warranty coverage terminates if you sell or otherwise transfer the Product.

How to obtain warranty service?

If you purchased the Product at a retail store location, take your original receipt and the Product to the store you purchased it from. Make sure that you place the Product in its original packaging or packaging that provides the same amount of protection as the original packaging. If you purchased the Product from an online web site, mail your original receipt and the Product to the address listed on the web site. Make sure that you put the Product in its original packaging or packaging that provides the same amount of protection as the original packaging.

To obtain in-home warranty service for a television with a screen 25 inches or larger, call 1-888-BESTBUY. Call agents will diagnose and correct the issue over the phone or will have an Dynex-approved repair person dispatched to your home.

Where is the warranty valid?

This warranty is valid only to the original purchaser of the Product in the United States, Canada, and Mexico.

What does the warranty not cover?

This warranty does not cover:

- Customer instruction
- Installation
- Set up adjustments
- Cosmetic damage
- Damage due to acts of God, such as lightning strikes
- Accident
- Misuse
- Abuse
- Negligence
- Commercial use
- Modification of any part of the Product
- Plasma display panel damaged by static (non-moving) images applied for lengthy periods (burn-in).

This warranty also does not cover:

- Damage due to incorrect operation or maintenance
- Connection to an incorrect voltage supply
- Attempted repair by anyone other than a facility authorized by Dynex to service the Product
- Products sold as is or with all faults
- Consumables, such as fuses or batteries
- Products where the factory applied serial number has been altered or removed

REPAIR REPLACEMENT AS PROVIDED UNDER THIS WARRANTY IS YOUR EXCLUSIVE REMEDY. DYNEX SHALL NOT BE LIABLE FOR ANY INCIDENTAL OR CONSEQUENTIAL DAMAGES FOR THE BREACH OF ANY EXPRESS OR IMPLIED WARRANTY ON THIS PRODUCT, INCLUDING, BUT NOT LIMITED TO, LOST DATA, LOSS OF USE OF YOUR PRODUCT, LOST BUSINESS OR LOST PROFITS. DYNEX PRODUCTS MAKES NO OTHER EXPRESS WARRANTIES WITH RESPECT TO THE PRODUCT, ALL EXPRESS AND IMPLIED WARRANTIES FOR THE PRODUCT, INCLUDING, BUT NOT LIMITED TO, ANY IMPLIED WARRANTIES OF AND CONDITIONS OF MERCHANTABILITY AND FITNESS FOR A PARTICULAR PURPOSE, ARE LIMITED IN DURATION TO THE WARRANTY PERIOD SET FORTH ABOVE AND NO WARRANTIES, WHETHER EXPRESS OR IMPLIED, WILL APPLY AFTER THE WARRANTY PERIOD. SOME STATES, PROVINCES AND JURISDICTIONS DO NOT ALLOW LIMITATIONS ON HOW LONG AN IMPLIED WARRANTY LASTS, SO THE ABOVE LIMITATION MAY NOT APPLY TO YOU. THIS WARRANTY GIVES YOU SPECIFIC LEGAL RIGHTS, AND YOU MAY ALSO HAVE OTHER RIGHTS, WHICH VARY FROM STATE TO STATE OR PROVINCE TO PROVINCE.

Contact Dynex:

For customer service please call 1-800-305-2204

www.dynexproducts.com

Distributed by Best Buy Purchasing, LLC

7601 Penn Avenue South, Richfield, Minnesota, U.S.A. 55423-3645

© 2010 BBY Solutions, Inc.

All rights reserved. DYNEX is a trademark of BBY Solutions, Inc. Registered in some countries. All other products and brand names are trademarks of their respective owners.

DYNEX™

www.dynexproducts.com (800) 305-2204

Distributed by Best Buy Purchasing, LLC
7601 Penn Ave. South, Richfield, MN 55423 U.S.A.
© 2010 BBY Solutions, Inc. All rights reserved.

DYNEX is a trademark of BBY Solutions, Inc. Registered in some countries. All other products and brand names are trademarks of their respective owners.

ENGLISH
09-1153

Free Manuals Download Website

<http://myh66.com>

<http://usermanuals.us>

<http://www.somanuals.com>

<http://www.4manuals.cc>

<http://www.manual-lib.com>

<http://www.404manual.com>

<http://www.luxmanual.com>

<http://aubethermostatmanual.com>

Golf course search by state

<http://golfingnear.com>

Email search by domain

<http://emailbydomain.com>

Auto manuals search

<http://auto.somanuals.com>

TV manuals search

<http://tv.somanuals.com>