

**INSTRUCTION
MANUAL**

3D-DNR DAY/NIGHT MINIATURE COLOR CAMERA

MODEL HDC041



Copyright © 2009 Clover Electronics U.S.A. All Rights Reserved.

PRECAUTIONS

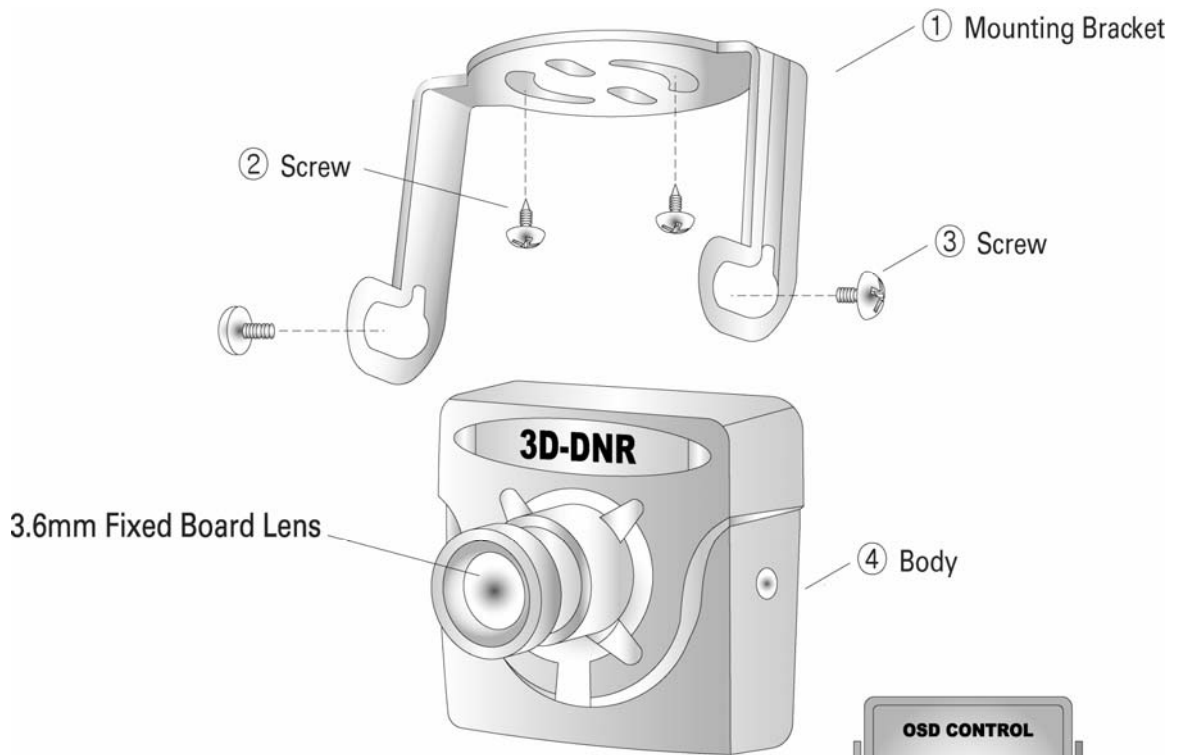
- To prevent fire or shock hazard, do not expose the product to rain or moisture.
- To avoid electrical shock, do not open the case of this product.
- Operate this product using only the recommended AC Power supply.
- Do not overload electrical outlets or extension cords; this can result in fire or electric shock.
- Keep this product away from strong magnetic fields.
- Do not expose this product in direct sunlight or strong reflected rays.
- Refer servicing to qualified personnel only.
- Do not change or modify this product, the warranty will be voided.

FEATURES

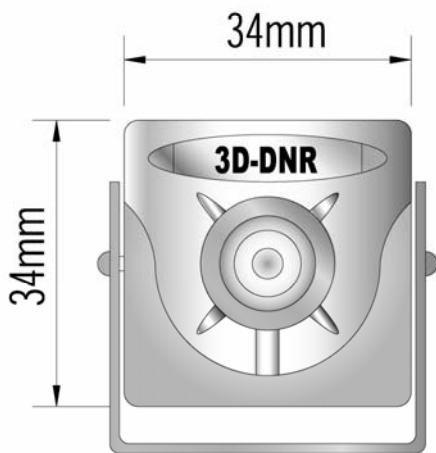
- 1/3" Sony Super HAD CCD
- High Resolution 550 TV Lines (Color), 600 TV Lines (B/W)
- Day/Night Camera
- OSD (On Screen Display)
- 3D DNR (Digital Noise Reduction) with 3D filter
- D-WDR (Digital Wide Dynamic Range)
- DC 12V Power Source

INSTALLATION

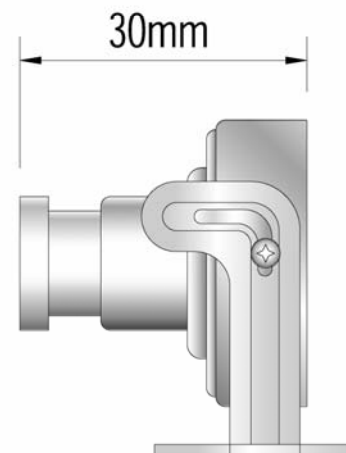
1. Attach the mounting bracket① to the wall or ceiling, wherever you want to install the camera. Locate a wall stud or ceiling joist and secure the mounting bracket using the supplied screws②.
2. Fix the mounting bracket① to the camera body④ with the provided screws③.
3. If necessary, change the settings to get the best images depending on your application by using the buttons on the rear of the camera (refer to the included instruction manual for OSD).
4. Connect the one end of BNC cable (not supplied) to the BNC (F) of 2' cable attached to the camera and the other end (BNC) of cable to the video devices such as DVR, monitor/TV. Plug an AC power supply (not supplied) to the DC jack (red) on the camera.



OSD MENU CONTROL BOARD



FRONT



SIDE

Note:

- **Apply DC12V 250 mA regulated power supply (not included).**
- **To avoid fire or shock hazard, use a UL listed power supply.**

TROUBLE SHOOTING

If the camera does not function properly, check the following points before contacting the service center.

Troubles	Remedies
No video	Check the AC adapter and video cable between the camera and a monitor
The image on the screen is dark	Check the brightness control on the monitor
The image on the screen is dim	Check if the lens is stained. If dirty, clean it with soft and clean cloth
The camera is not working properly, and the surface of the camera case is hot	Check if you have connected the provided AC adapter
The contrast on the screen is too weak	Adjust the contrast feature of the monitor. If the camera is exposed under too strong light, change the position
The image on the screen flickers	Does the camera face to directly to the sunlight or fluorescent light? Change the camera position
Picture rolls and jumps, scrambled picture	Improper V-hold control. Setting on your monitor
Picture smaller than screen	House current may be too low

SPECIFICATIONS

- Image sensor 1/3" SONY Super HAD CCD
- Total pixels 811(H) x 508(V)
- Effective Pixels 768(H) x 494(V)
- Scanning system 2:1 Interlace
- O.S.D Available
- Backlight Off / HSBLC / BLC selectable
- Resolution 550TV Lines(color),600TV Lines(B/W)
- S/N (Y signal) 52dB (AGC Off, Weight On)

- Min.illumination 0.00001Lux(sense-up x258)
- White Balance ATW / AWB / Manual / AWC→SET
- Sense-up Off / Auto / (Selectable limit x2 ~ x258)
- 3 DNR Off / On (1~50 level adjustable)
- D-WDR Indoor / Outdoor / Off
- D&N selection Color / BW / Auto
- Digital zoom On(x32) / Off
- Voltage DC12V
- Current consumption 130 mA @DC12V
- Lens 3.6mm fixed board lens
- Operating temperature/Humidity -10°C ~ +50°C. RH 95% Max.
- Storage temperature/Humidity -20°C ~ +60°C. RH 95% Max.
- Dimensions 34 (W) x 34 (H) x 30 (D) mm
- Weight 60g

LIMITED 2 YEAR WARRANTY

This warranty gives the original purchaser specific legal rights and you may also have other rights, which vary from state to state. If our products do not function because of any defect in material or workmanship, we will repair free of charges for 2 years on parts and labor from the date of original purchase. This warranty does not cover modification, abuse, incidental or consequential damages unless the state of owner's residence specially prohibits limitations on incidental or consequential damages.

HOW TO OBTAIN FACTORY SERVICE

1. Original purchaser must fill out a warranty card and mail it to the factory with model number, serial number and the date of purchase.
2. We will repair or replace, and return to the owner the system under this limited warranty.
3. Please pack the system carefully and securely using the original packing materials, and send it prepaid and insured to: 13073 E. 166th St, Cerritos, CA 90703.
4. Please include a check for \$15.00 to cover the cost of return postage and handling. If the system is returned within the warranty period, please include a proof of purchase. If the system is out of warranty, you will receive an estimate of the repair cost for your approval before repair work will be begun.

AVAILABLE ACCESSORIES

CDR0460	Stand-alone 4 CH Digital Video Recorder (DVR).
CDR4450	Stand-alone 4 CH Digital Video Recorder (DVR).
CDR0860	Stand-alone 8 CH Digital Video Recorder (DVR).
CDR1660	Stand-alone 16 CH Digital Video Recorder (DVR).
CDR0850	Stand-alone 8 CH Digital Video Recorder (DVR).
CDR1650	Stand-alone 16 CH Digital Video Recorder (DVR).
CA100BP	100' BNC/Power to BNC/Power Extension cable and coupler
ADT120250	AC Power Supply DC12V 250 mA Regulated

PACKAGE INCLUDES

- 1-Day & Night Miniature Color Camera
- 1-Hardware Accessories Kit
- 1-Instruction Manual
- 1-Instruction Manual for OSD Control
- 1-Warranty Registration Card

Free Manuals Download Website

<http://myh66.com>

<http://usermanuals.us>

<http://www.somanuals.com>

<http://www.4manuals.cc>

<http://www.manual-lib.com>

<http://www.404manual.com>

<http://www.luxmanual.com>

<http://aubethermostatmanual.com>

Golf course search by state

<http://golfingnear.com>

Email search by domain

<http://emailbydomain.com>

Auto manuals search

<http://auto.somanuals.com>

TV manuals search

<http://tv.somanuals.com>